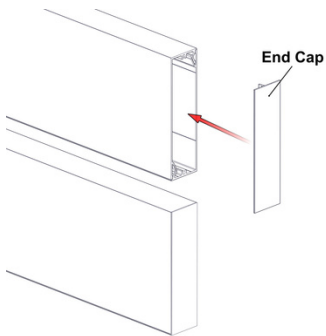
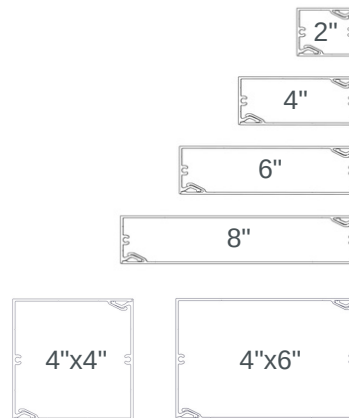
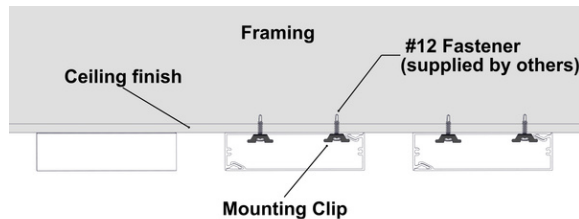


INTREPID BEAM CEILING SYSTEM

TYPICAL ISOMETRICS



TYPICAL SECTIONS



PROFILES

1-5/8" X 2", 4", 6", 8"
HD 2" X 2", 4", 6", 8"
4"x4", 4"x6"
Standard lengths: 24'

COMPONENTS

End Caps, Mounting Clips.

ATTACHMENT

Fasten w. #12 screws*(#14 for HD) @ 6" o.c. using mounting clips. (*Not included)
△ See install guide for details.

FINISHES

Woodgrains, solid colors, naturally aged metals, special order.
Custom solid color matching available (additional lead times apply).

BIM & CAD

RVT & DWG files available, see our website for details.

LEAD TIME

Most Popular Finishes
- ready to ship within 1 week
Additional Finishes
- ready to ship within 14 weeks

TECHNICAL SPECIFICATIONS

PHYSICAL DATA

6063-T5 Extruded Aluminum
100% Recyclable
Warranty: Finish: 15 year (standard)/20 year* (ultra) (*10 week lead time);
Aluminum: 50 year
Dimensions/Weights:

L&L	Width	Depth	Length	Weight(lbs/LF) *per set
2"	2" (50.8mm)	1 5/8" (41.3mm)	12'/24'	0.93
4"	4" (101.6mm)	1 5/8" (41.3mm)	12'/24'	1.3
6"	6" (152.4mm)	1 5/8" (41.3mm)	12'/24'	1.6
8"	8" (203mm)	1 5/8" (41.3mm)	12'/24'	1.9
4"x4"	4" (101.6mm)	4" (101.6mm)	12'/24'	1.8
4"x6"	6" (152.4mm)	4" (101.6mm)	12'/24'	2.1
4" HD	4" (101.6mm)	2" (50.8mm)	12'/24'	1.7
6" HD	6" (152.4mm)	2" (50.8mm)	12'/24'	2.4
8" HD	8" (203mm)	2" (50.8mm)	12'/24'	3

TESTING

ICC-ESR 4183 Evaluation Report - Division: 05 00 00 - METALS

- Section: 05 50 00 - Metal Fabrications

CAN/ULC S102

CAN/ULC S114

LARR - Los Angeles Department of Building Safety (LADBS) accepts ICC-ES reports as proof of compliance

WUI (The Wildland-Urban Interface) – California Department of Forestry & Fire Protection Office of the State Fire Marshal Listing No. 8140-2286:0500



Fire Rating: Class A Non-Combustible by ASTM E136 & ASTM E84



Acoustical Rating with insulation: NRC up to 0.80



Light reflectance (LRV): Up to 73.2% (Ultra White)



info@longboardproducts.com

longboardproducts.com

800 604 0343