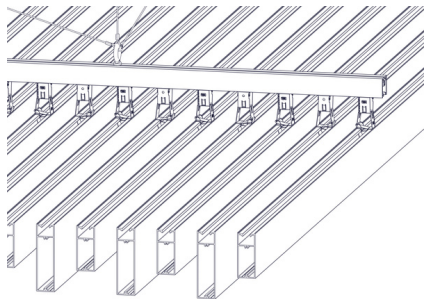
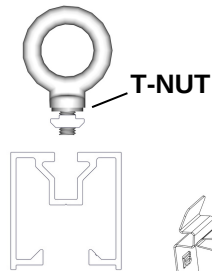


# DAUNTLESS BAFFLE CEILING SYSTEM

## TYPICAL ISOMETRICS



## EYEBOLT



SINGLE RAIL



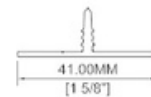
4"



6"



HANGER  
CLIP



BAFFLE END CAP

## PROFILES

1-5/8" X 4" & 6" - Standard Lengths: 24'

## COMPONENTS

1-1/2" Rail - Standard Lengths: 24'  
Baffle Snap Cap - Standard Lengths: 12'  
Eyebolts, Hanger, Baffle End Cap, Baffle Spline - Units (1pc)

## FINISHES

Woodgrains, solid colors, naturally aged metals, special order. Custom solid color matching available (additional lead times apply).

## ATTACHMENT

Rail spacings to be calculated by design team to suit layout and project requirements, suspended from structure above (by others) \*refer to submittal package for load calculation data

1-1/2" Rail - Standard Lengths: 24'  
Eyebolts - @ 4' O.C. (7 for 24' length)  
Hanger, Baffle End Cap, Baffle Spline - Units (1pc)

## BIM & CAD

RVT & DWG files available,  
see website for details

## LEAD TIME

Most Popular Finishes  
-ready to ship within 1 week  
Additional Finishes  
-ready to ship within 14 weeks

## TECHNICAL SPECIFICATIONS

### PHYSICAL DATA

6063-T5 Extruded Aluminum  
100% Recyclable  
Warranty: Finish:15 year (standard)/20 year\* (ultra) (\*10 week lead time);  
Aluminum: 50 year  
Baffle Weight (lbs/lf): 1.3 (4"); 1.6 (6")

### TESTING

ICC-ESR 4184 Evaluation Report - Division: 05 00 00 - METALS  
• Section: 05 50 00 - Metal Fabrications  
CAN/ULC S102  
CAN/ULC S114

LARR - Los Angeles Department of Building Safety (LADBS) accepts ICC-ES reports as proof of compliance



**Fire Rating:** Class A Non-Combustible by ASTM E136 & ASTM E84



**Acoustical Rating with insulation:** NRC up to 0.79



**Light reflectance (LRV):** Up to 73.2% (Ultra White)



[info@longboardproducts.com](mailto:info@longboardproducts.com)

[longboardproducts.com](http://longboardproducts.com)

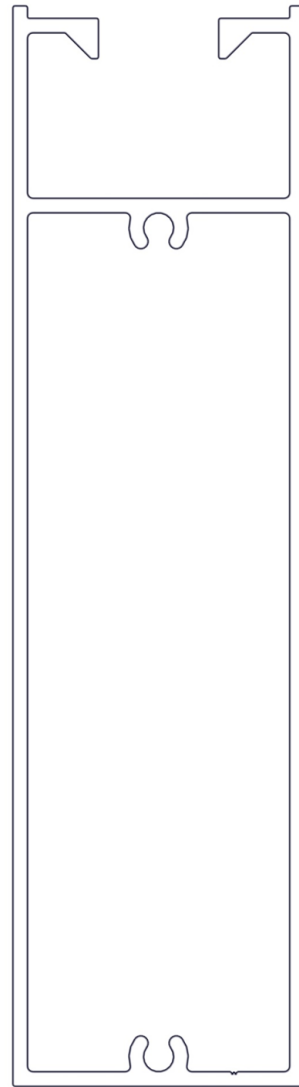
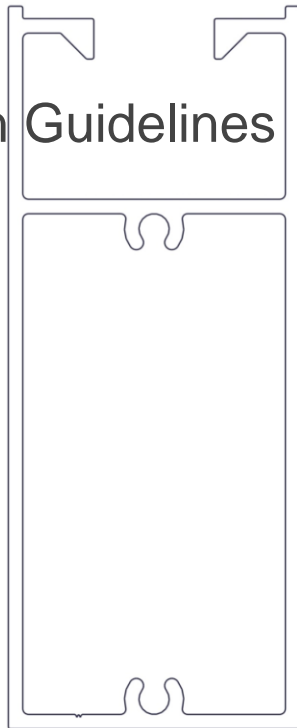
800 604 0343



**LONGBOARD®**  
ARCHITECTURAL PRODUCTS

# Dauntless Interior Ceiling System

Installation Guidelines



## Table of Contents

<b><u>Material Specifications</u></b>	<b><u>3</u></b>
Finishes	3
Material ordering and deliveries	3
Storage and handling	3
Cleaning	3
Warranty	3
<b><u>Components</u></b>	<b><u>4</u></b>
Components (Typical)	4
<b><u>Tools/Cutting/Fastening</u></b>	<b><u>5</u></b>
Tools	5
Cutting	5
Fastening	6
<b><u>System Install</u></b>	<b><u>7</u></b>
System layout	7
Perimeter areas and Drop Depths	7
Typical layout	7
Install Rail system	8-9
Install Beams	10-11
<b><u>Appendix</u></b>	<b><u>12</u></b>
Contact Info	12

## Material Specifications

### Finishes

- Longboard Products are available in a wide range of woodgrains and solid colors
- Custom solid colors are available upon request.

All Longboard Products are produced 1" (25mm) oversized, as one end is drilled for the coating process, and both ends have 1/2" (12mm) of masking tape (woodgrains only) which must be cut off for best results.

### Material Ordering & Delivery

- 
- **Packaging:** Dauntless Beams are sold in sizes of 1 5/8" x 4" & 6" x 24' lengths  
End caps are sold by the box: 20 caps/bx.
- 
- **Shipping:** Lead time is 3-6 business days\* + shipping (*\*subject to change*), delivered on 24' (7.3m) long skids weighing up to 2000 lbs. A mechanical lift with forks is required on site to receive the order.
- 
- **QC:** Always inspect the delivery for damage and contact LB ASAP if there are any issues: [info@longboardproducts.com](mailto:info@longboardproducts.com) or 1-800-604-0343 and include your PO# and any pictures if possible. Mark the delivery receipt as "damaged" and accept the delivery as-is. Longboard is not responsible for the installation of blemished or damaged material.

### Storage & Handling

Be sure to store the material flat, keep it dry, safe & secure and remain in unopened cartons until ready to be installed.

See **Appendix for proper handling and care instructions.**

### Cleaning Recommendations

While Longboard finishes require zero maintenance, we do recommend periodic cleaning to keep the product looking its best. Our finish is tested to withstand corrosion, fading and normal wear, however, neglect and rough conditions could have negative effects on the surface finish. Your Longboard products should be cleaned immediately after installation. See the cleaning guide for our suggestions based on soil level. Basic methods use a combination of moderate water pressure, soft sponge/brush, and a mild detergent.

See **Cleaning Guide for full requirements:** [longboardproducts.com](http://longboardproducts.com)

**⚠ NEVER** use aggressive acid or alkaline cleaners on Longboard finishes. Do not use cleaners containing Trisodium Phosphate, Phosphoric Acid, Hydrochloric Acid, Hydrofluoric Acid, Fluorides, or any other compound that is known to react with metal.

Always follow the product instructions for dilution. Cleaning the surface with a cleanser that is not diluted may result in damage to the coating.

### Warranty




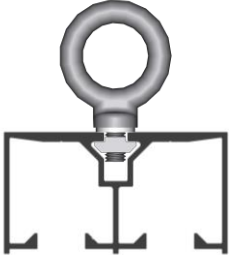


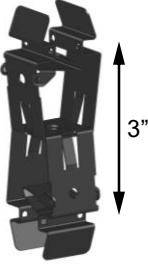
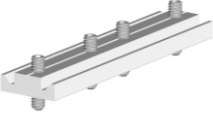

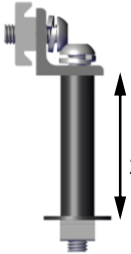
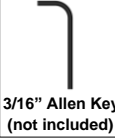
Upon substantial completion of the project, register for warranty online here: [longboardproducts.com/warranty](http://longboardproducts.com/warranty)

**⚠** Registration is required for the warranty to be in effect.

## Components

### Components (Typical)

Longboard Dauntless Interior Ceiling System consists of a Beam, End Cap, Hanger, Rail, and Eyebolt. For all LB components go to [longboardproducts.com](http://longboardproducts.com).

 <p><b>4" Beam</b> 2X4CB.289</p>	 <p><b>6" Beam</b> 2X6CB.289</p>	 <p><b>Single Carrier Rail</b> Incl. Eyebolt w. T-Nut CBR.289</p>	 <p><b>Double Carrier Rail</b> Incl. Eyebolt w. T-Nut CBDR.289</p>
 <p><b>Side Carrier Rail</b> -For Hanger Bracket 2CBSR.289</p>	 <p><b>End Cap</b> 2BEC.4,6</p>	 <p><b>Hanger Clip</b> HC.3</p>	 <p><b>Spline Connector</b> with Set Screws BSCT.6</p> <p> 1/8" Allen Key (not included)</p>
 <p><b>Hanger Bracket</b> 2" typical, special order: 4", 6", 8", 10", 12" CBHB.2,4,6,8,10,12</p> <p> 3/16" Allen Key (not included)</p>			

## Tools/Cutting/Fastening

### Tools

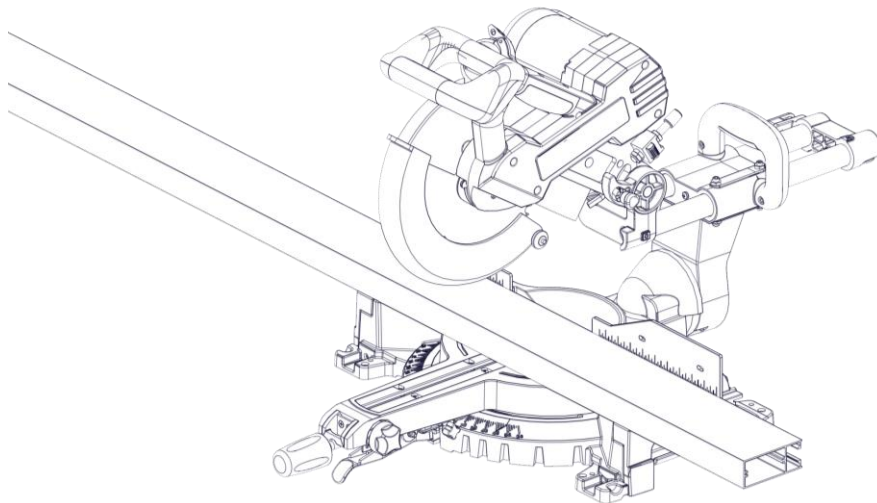
Commonly used tools for Dauntless install.

<p>Miter Saw with Carbide Metal Blade Non-Ferrous 60-80T (for aluminum)</p>	<p>Laser Level</p>	<p>Chalk Line or String Line</p>	<p>Tape Measure</p>
<p>Level</p>	<p>Rubber Mallet (or Hammer)</p>	<p>Paint Pen</p>	

### Cutting

⚠ Always be sure to wear appropriate PPE: eye & hearing protection.

Cut girts using a Miter/Chop Saw to terminate to accurately measured distances between subsequent girts and area limitations.

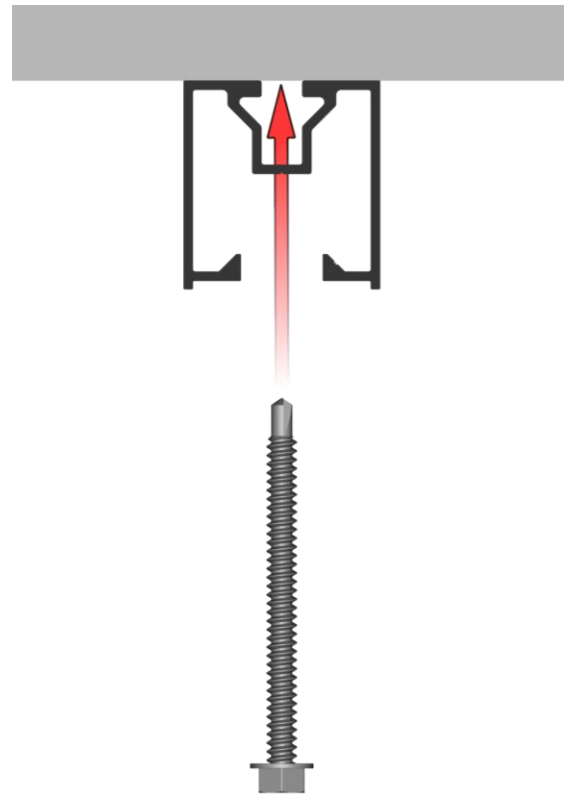
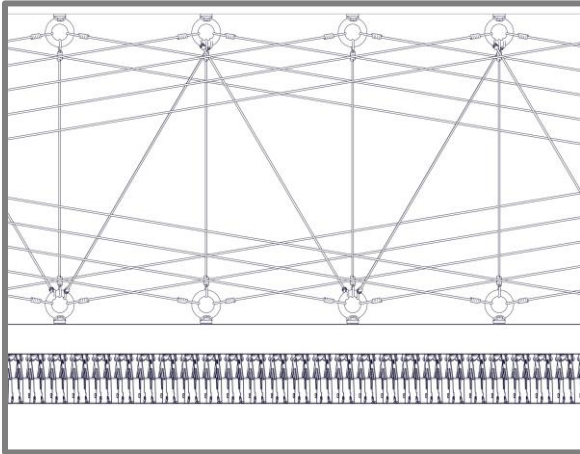




### Fastening

Longboard Dauntless system consists of Beams attached to Rails which are hung from a structure above. Using Eyebolts, the Dauntless system can be suspended from the ceiling to the Rail system with wires or threaded rod (supplied by others). The Rails can also be attached directly to the ceiling or structure. The attachment from the Rail or Eyebolts are done by others.

⚠ All fasteners should be compatible with the substrate type. **Fasteners should be anchored into a solid secure framing member.**

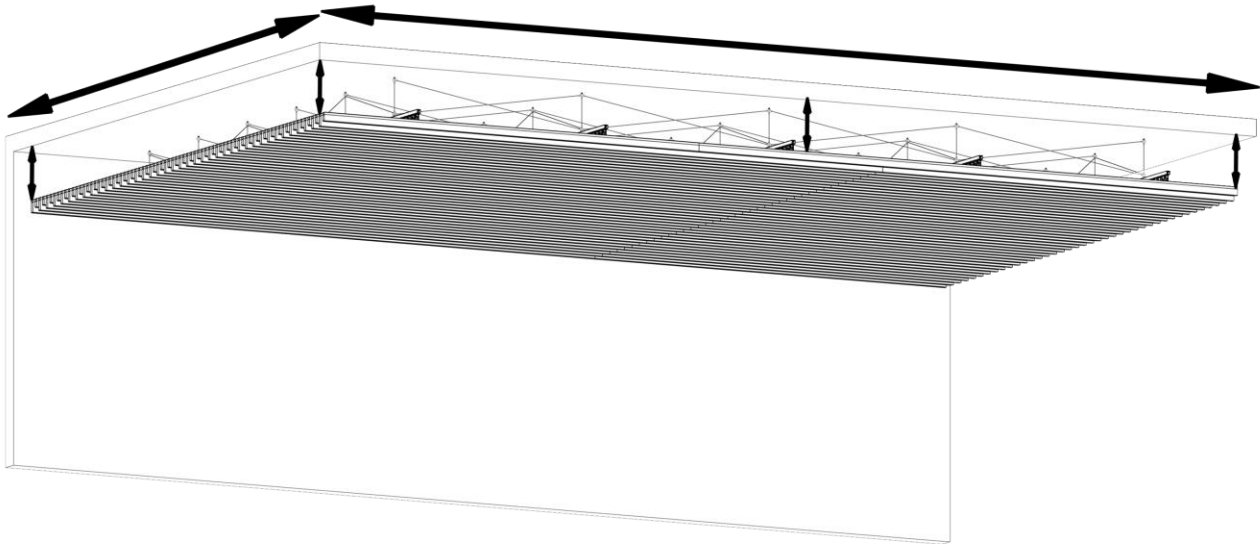


## System Install

### System layout

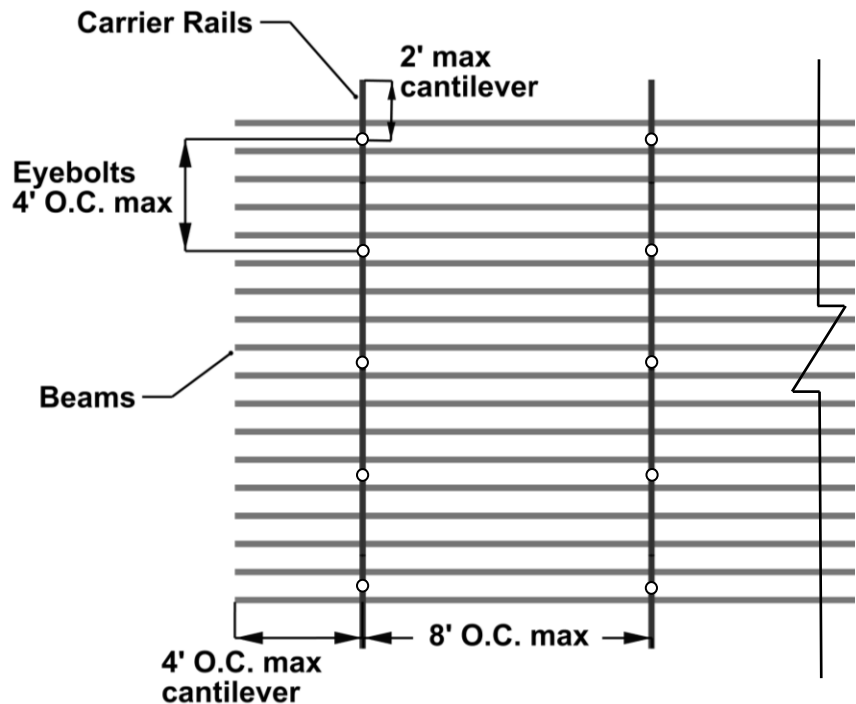
#### Perimeter area and drop depths

Measure and layout your ceiling system taking into consideration corners, bends and drop depths from ceiling. Make sure to mark and level out the drop depth of the Rails so they line up with the install of the Dauntless Beams.



#### Typical layout

- Carrier Rails @ 8' O.C. max spacings (2' max cantilever)
- Eyebolts @ 4' O.C. max spacings
- Hanger Clip placed at desired Beam spacing
- Must use at least two attachment points per Beam and Rail

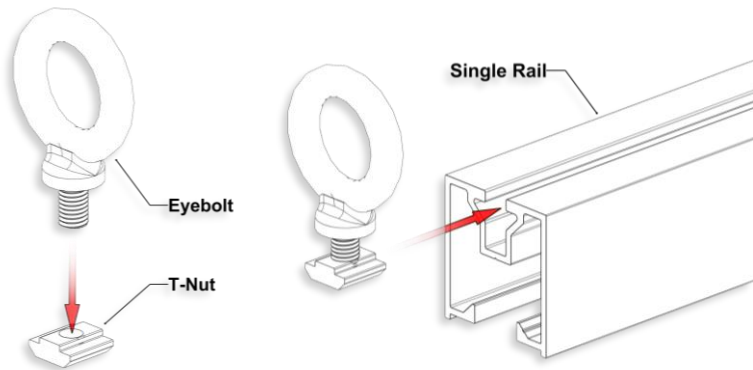




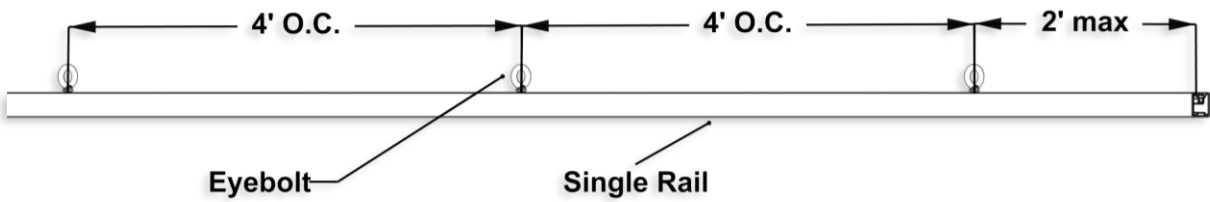
## Install Rail system

### Step 1 -Eyebolt Install

Measure and cut Rails for the required area. Measure and install Eyebolts every 4' O.C. max with a 2' max cantilever. Slide the Eyebolt and T-Nut onto each Rail and tighten the Eyebolt once in position.

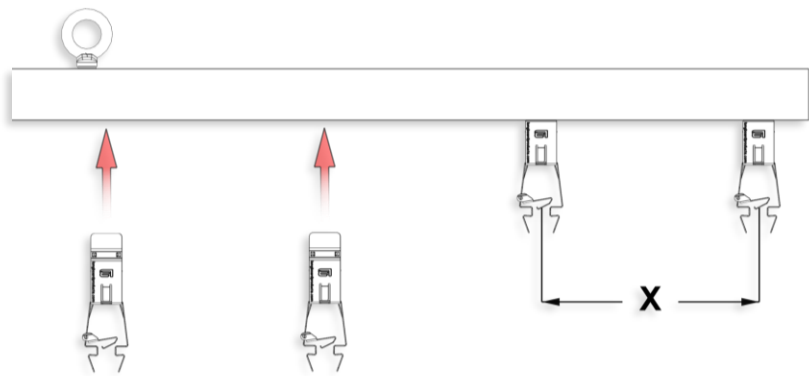


**⚠ Note:** Tighten Eyebolt all the way so it is not loose.

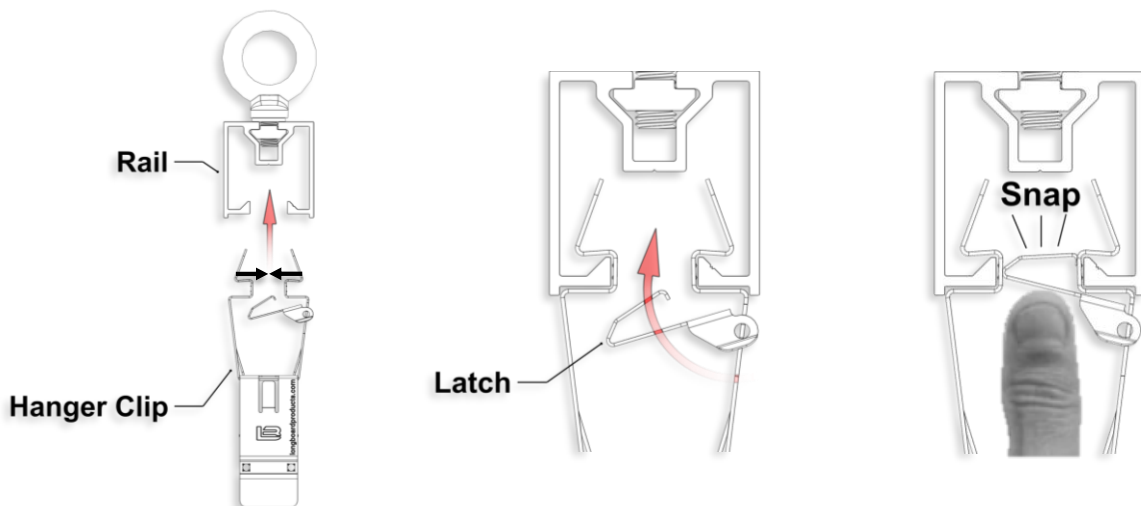


### Step 2 -Hanger Clip Install

Measure desired Beam spacings on the Rail (X) and install Hanger Clips as shown. The Hanger Clip is designed with a Latch that when pressed locks the Hanger Clip into place. Using thumb, press with pressure to snap the Latch into place. See images for details.

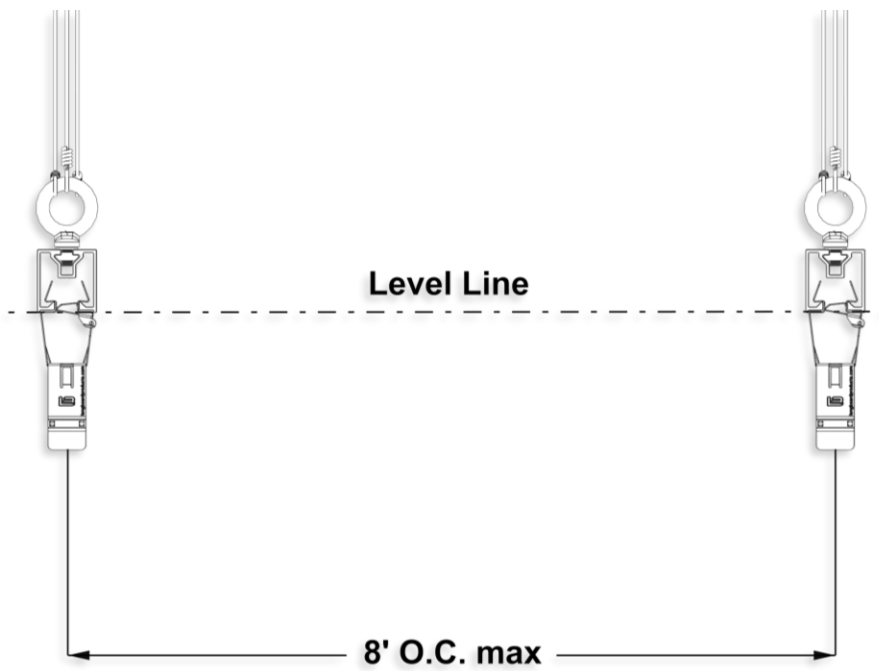
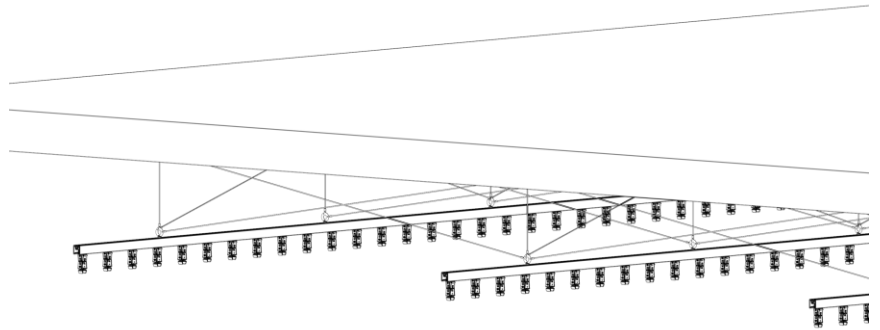


**⚠ Note:** The Hanger Clip is universal so it can be installed either end into the Rail or Beam.



**Step 3 -Rail Install**

Install Rails with Hanger Clips onto ceiling structure with wires or Ready Rod. Make sure to level out the Rails so they are all plumb and straight.

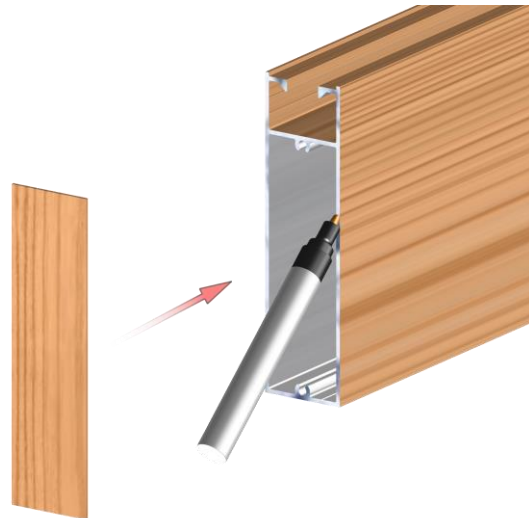


## Install Beams

### Step 4 -Beam Preparation

Measure and cut Beams for the required area.

Use a Paint Pen on the cut ends and install End Caps. End Caps are friction fit and if needed can be installed with a Rubber Mallet to protect the finish.



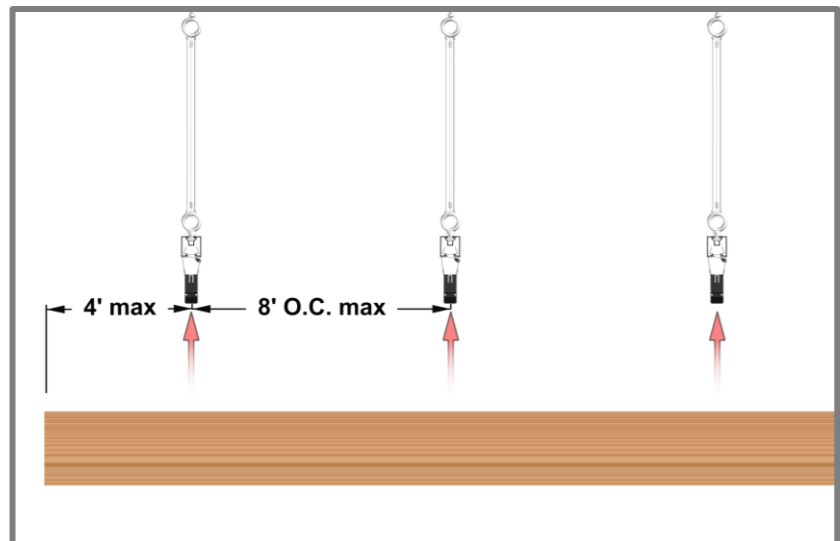
### Step 5 -Beam Install

Lift Beams into place onto the Hanger Clips previously installed on the Rails.

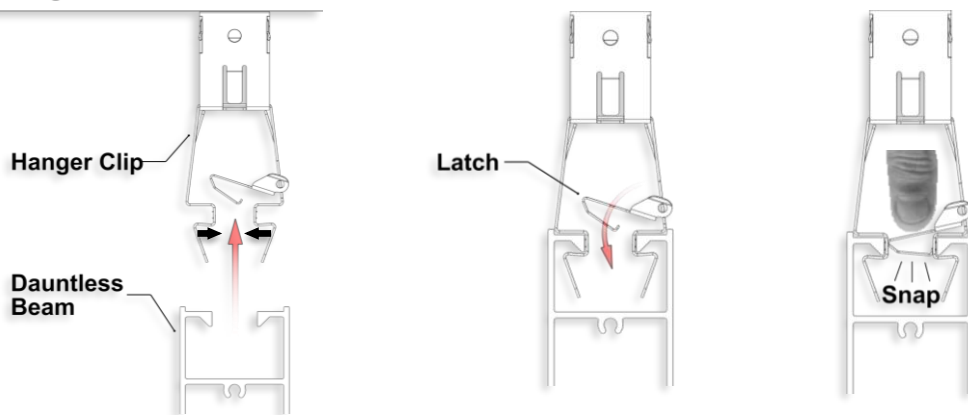
Using the Latch, snap the Beam into place for every hanger Clip along the length. Make sure to check that Beams are level, plumb and straight.

**⚠ Note:** Make sure every Hanger Clip is attached and snapped onto the Beam.

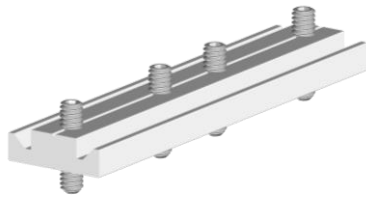
Repeat Steps 4 & 5 for the rest of the Beams.



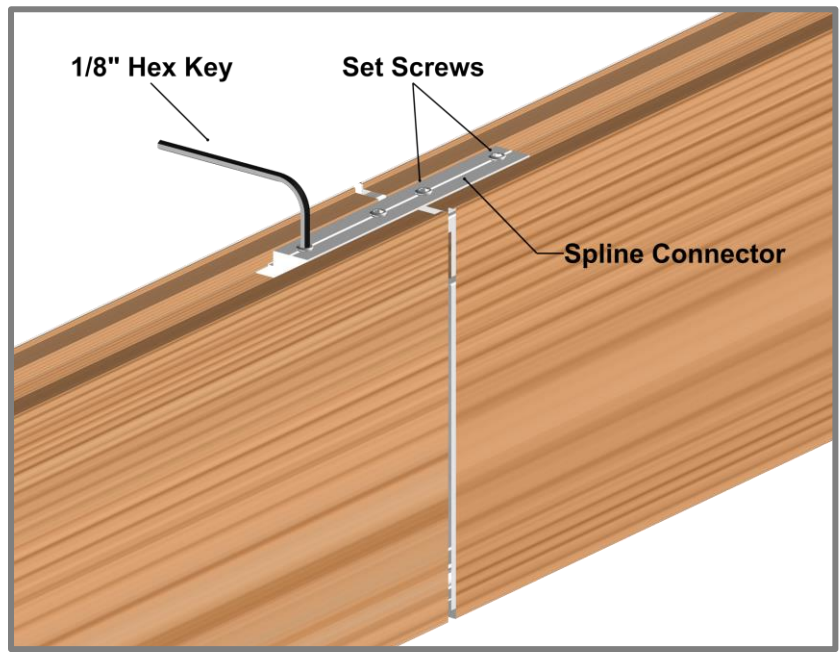
### Single Rail



Spline Connectors are used to connect Dauntless Beams together to achieve a seamless look for linear runs greater than 24'. A 1/8" Hex Key is used (by others) to tighten the Set Screws once in the desired position. Spline Connector and Set Screws are purchased separately.



**Spline Connector with Set Screws**





Longboard Architectural Products Inc.  
© Longboard Architectural Products Inc. All rights reserved.

Longboard® is a registered trademark of Longboard Architectural Products Inc.

Longboard  
1777 Clearbrook Road  
Abbotsford, BC V2T 8X8  
Canada  
[longboardproducts.com](http://longboardproducts.com)

Every effort has been made to ensure that the information in these installation guidelines is accurate. Longboard is not responsible for printing or clerical errors.

For more information, contact client care at [info@longboardproducts.com](mailto:info@longboardproducts.com) or call toll free 1-800-604-0343.



### Tongue & Groove Systems

#### V-Groove Planks

\* 48 sq. ft. box quantities † 96 sq. ft. box quantities

Size	12' *	24' *	12' Perf *	24' Perf *
2½"	3V.145	-	3VP.145	-
4"	4V.145	4V.289	-	-
6"	6V.145	6V.289	6VP.145	6VP.289

#### Smooth Planks

Size	12' *	24' *	12' Perf *	24' Perf *
6"	6PSP.145	6PSP.289	6PSPP.145	6PSPP.289

#### Channel Planks

Size	12' *	24' *	12' Perf *	24' Perf *
6"	6CH.145	6CH.289	-	-

#### Bevel Planks

Size	12' *	24' *	12' Perf *	24' Perf *
6" Single	6SB.145	6SB.289	-	-
6" Triple	6TB.145	6TB.289	-	-

#### Castellation Planks

Size	12' *	24' *	12' Perf *	24' Perf *
4"	4CA.145	4CA.289	-	-
8"	8CA.145	8CA.289	-	-

#### Acoustical Soundtex® Scrim

Size	12' *	24' *
6" V-Groove Plank	6PSP.145	6PSP.289
6" Smooth Plank	6PSPPA.145	6PSPPA.289



V-Groove Planks



Smooth Planks



Channel Planks



Perforated Planks



Bevel Planks



Castellation Planks



Butt Joint Fastening Kit



Quick Screen Clips



U-Shim



Touch-up Pens

### Accessories

Product	Qty	SKU
Quick Screen Clips	1750, box	CLIP.N1750
Quick Screen Clips	100, bag	CLIP.N100
1/16" U-SHIM	250, bag	SHIM.1001
Butt- Joint Fastening Kit (6")	20 kits, bag	TGBJKIT
Touch Up Pens	N/A	TUP

*Reach out to confirm color with account manager.*

### Trim Components

Type	Style	Product	Dimensions	SKU
Starter	Precision	Starter J-Track	(5/8") - 12'	1SJT.145
Starter	Traditional	Starter Strip	(1-7/8") - 12'	2SS.145
Starter	Traditional	Back-to-Back Starter Strip	(1-1/4")	2BTBSS.145
J-Track	Precision	Two Piece J-Track	(5/8") - 12'	1X1JT.145
J-Track	Precision	J-Track	(5/8") - 12'	1JT.145
J-Track	Craftsman	J-Track	(7/8") - 12'	JT23.145
J-Track	Craftsman	Two Piece J-Track	(7/8") - 12'	JT23S.145
J-Track	Traditional	Two Piece J-Track	(1-3/8") - 12'	1X2JT.145
Corner	Precision	Outside Corner	(3/16") - 12'	05OC.145
Corner	Craftsman	Inside Corner	(3/4") - 12'	1IC.145
Corner	Craftsman	Outside Corner	(1") - 12'	1OC.145
Corner	Traditional	Corner Set	(2") - 12'	2CORS.145
Corner	Traditional	3" Smooth	(3") - 24'	3SCP.289
Corner	Traditional	3" V-Groove	(3") - 24'	3SVP.289
Reveal	Precision	Flat Reveal	(1/2") - 12'	1FR.145
Reveal	Precision	T&G Flat Reveal	(1/2") - 24'	1TGFR.289
Reveal	Craftsman	U-Reveal Set	(3/4") - 12'	1URS.145
Reveal	Craftsman	T&G U-Reveal	(3/4) - 24'	1TGURK.289
Reveal	Traditional	U-Reveal Set	(1-1/2") - 12'	2URS.145
Reveal	Traditional	Flat Reveal Set	(1-1/2") - 12'	2FRS.145
Reveal	Traditional	T&G U-Reveal	(1 1/2") - 24'	2TGURK.289
Reveal	Traditional	Offset Flat Reveal Set, J-Track Base	(2") - 12'	2OFFJ.145
Reveal	Traditional	Offset Flat Reveal Set, Termination Base	(2") - 12'	2OFFT.145
Termination	Precision	Termination Set	(5/8") - 12'	1TS.145
Termination	Craftsman	Termination Set	(7/8") - 12'	TS23S.145
Termination	Traditional	Termination Set	(1-3/8") - 12'	2TS.145
Compression Joints	Traditional	Compression Joint	(1-3/8") - 24'	2CJ.289



Precision Starter J-Track



Traditional Starter Strip



Traditional Back-to-Back Starter Strip



Precision Two-Piece J-Track



Precision J-Track



Craftsman J-Track



Craftsman Two Piece J-Track



Traditional Two Piece J-Track



Precision Outside Corner



Craftsman Inside Corner



Craftsman Outside Corner



Traditional Corner Set



3" Smooth Corner



3" V Groove Corner



Precision Flat Reveal



Precision T&G Flat Reveal



Craftsman U-Reveal Set



Craftsman T&G U-Reveal



Traditional U-Reveal Set



Traditional Flat Reveal Set



Traditional T&G U-Reveal



Traditional Offset Flat Reveal Set, J-Track Base



Traditional Offset Flat Reveal Set, Termination Base



Precision Termination Set



Craftsman Termination Set



Traditional Termination Set



Traditional Compression Joint



## Link & Lock™ Battens

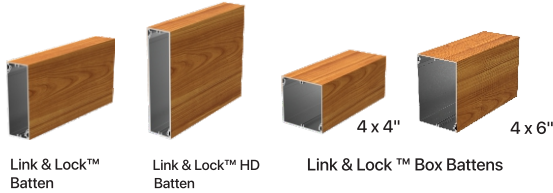
Size	12'	24'	End Caps (20/box)	End Mounts (20/box)
2"	2X2LL.145	2X2LL.289	2LLEC.2	2LLEM.2
4"	2X4LL.145	2X4LL.289	2LLEC.4	2LLEM.4
6"	2X6LL.145	2X6LL.289	2LLEC.6	2LLEM.6
8"	2X8LL.145	2X8LL.289	2LLEC.8	2LLEM.8

### Link & Lock™ HD Battens

4"	2X4LLHD.145	2X4LLHD.289	2LLHDEC.4	2LLHDEM.4
6"	2X6LLHD.145	2X6LLHD.289	2LLHDEC.6	2LLHDEM.6
8"	2X8LLHD.145	2X8LLHD.289	2LLHDEC.8	2LLHDEM.8

### Link & Lock™ Box Battens

4 x 4"	4X4LL.145	4X4LL.289	4LLEC.4	-
4 x 6"	4X6LL.145	4X6LL.289	4LLEC.6	-

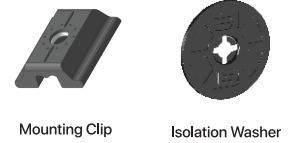


Link & Lock™  
Batten

Link & Lock™ HD  
Batten

Link & Lock™ Box Battens

Mounting Accessories	Qty	SKU
Link & Lock Mounting Clip	48, bag	LLMC.N48
Link & Lock™ Isolation Washer	48, bag	FAST.5003.BOX48
Dewalt® 1/2" Pilot Point Drill Bit	1	DRILLBT.05
24' Link & Lock Internal Stiffener	1	LLSTIFF.289
3M® Double Sided Adhesive Tape - 108'	1, roll	LLTAPE.1296



Mounting Clip

Isolation Washer

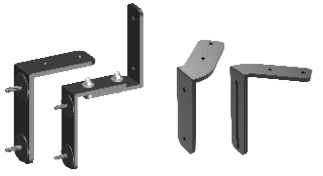


Dewalt® Drill Bit

Internal Stiffener

### Link & Lock™ Mounting Brackets

Product	Single	Dual
45° LEFT FIXED	LLMBK.45LF	LLMDK.45LF
45° RIGHT FIXED	LLMBK.45RF	LLMDK.45RF
90° CENTER FIXED	LLMBK.90F	LLMDK.90F
45° LEFT SLIDING	LLMBK.45LS	LLMDK.45LS
45° RIGHT SLIDING	LLMBK.45RS	LLMDK.45RS
90° CENTER SLIDING	LLMBK.90S	LLMDK.90S



Single / Dual

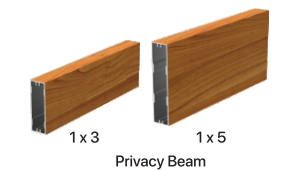
Fixed / Sliding

Link & Lock™ Mounting Brackets

## Privacy Beam System

Size	Product	24'	End Caps (20/box)
1x3"	Privacy Beam	1X3B.289	1BEC.3
1x5"	Privacy Beam	1X5B.289	1BEC.5
2x2"	Single Post	2X2SP.289	2X2PC.2
2x3"	Double Post	2X3DP.289	2X3PC.3

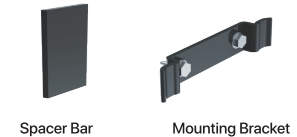
Mounting Accessories	Qty	SKU
Spacer Block	100, box	2X2SB.N100
1" Spacer Bar Stock Length	1	1X2FB.145
1x3" Spacer Bar	100, box	1X2FB.1
1x5" Spacer Bar	100, box	1X2FB.3
3" Mounting Bracket	100, box	3PSMB.1
#10 Black Screws	100, box	PECS.N100



1 x 3

1 x 5

Privacy Beam



Spacer Bar

Mounting Bracket

## Dauntless System

Dimensions	Product	12'	24'	End Caps (20/box)
1-5/8" x 4"	Beam	2X4CB.145	2X4CB.289	2BEC.4
1-5/8" x 6"	Beam	2X6B.145	2X6CB.289	2BEC.6

### Hanger Bracket Mounting System

Product	Kind	Qty	SKU
Side Rail	24' Carrier Rail	1	2CBSR.289
Beam Spline Connection Top	Accessory	1	BSCT.6
2" Hanger Bracket	Bracket	1	CBHB.2
4" Hanger Bracket	Bracket	1	CBHB.4
6" Hanger Bracket	Bracket	1	CBHB.6
8" Hanger Bracket	Bracket	1	CBHB.8
10" Hanger Bracket	Bracket	1	CBHB.10
12" Hanger Bracket	Bracket	1	CBHB.12

### Clip Mounting System

Product	Kind	Qty	SKU
Single Rail <sup>Δ</sup>	24' Carrier Rail	1	CBR.289
Double Rail <sup>Δ</sup>	24' Carrier Rail	1	CBDR.289
1-1/2" Single Hanger Clip	Clip	20, box	HCS.2
3" Hanger Clip	Clip	20, box	HC.3
Eye Bolt with T-Nuts	Attachment	20, box	CBEB.N20

<sup>Δ</sup>Includes 7 Eye-Bolts with T-Nuts



Clip Assembly



Hanger Bracket Assembly



We offer a vibrant spectrum of over 50 Colors.  
Scan the QR Code to explore our Finishes at Longboard Architectural Products.



**Achieve your Vision.**

+1 800 604 0343

longboardproducts.com • info@longboardproducts.com

# Finish Options

## Achieve your vision.

Whether creating a space that offers the warmth and appearance of Woodgrains, or the modern industrialized look of Naturally Aged Metals, we have a finish option for you.

Require a custom finish or color? Our experienced color-matching team can make it a reality!

Contact us to confirm lead times for orders greater than 15k sq.ft in the Most Popular Finishes category.

### Longboard Finish Classification

**Type:** Woodgrain / Solid / Metallic /

Speckle / Naturally Aged Metal

**Surface:** Smooth / Textured

**Sheen:** Matte / Satin / Glossy

**Performance:** AAMA 2604 / AAMA 2605

**Finish Warranty:** 15 Year / 20 Year



Click / Scan the QR code to check our latest lead times and explore available options!

## Woodgrains

Longboard's woodgrain finishes have a slight texture with matte sheen.



## Solid & Specialty



## Speckle



## Naturally Aged Metals



Print, Screens, and our pictures do not accurately reflect aspects of our finishes – textures, sheen, woodgrain hues, etc. Always order a physical sample before purchase! Our Color Bars swatches and samples will provide an accurate representation.

If a custom finish is required, we will work with our industry leading coating suppliers to develop a custom finish solution. All finishes are rigorously tested for corrosion and weathering resistance to ensure that it will stand up and deliver superior performance in the built environment.

We perform accelerated weathering testing in our onsite laboratory and work closely with coating suppliers to review weathering results of finishes undergoing natural Florida exposure testing. Our disciplined approach to powder coating, quality and process control distinguishes it as industry leading product manufacturer and ensures that its premium products stay looking beautiful for many, many years.





