

## TABLE OF CONTENTS

(Click on the drawing name below to be directed to the right section.)

[Hitch SD Clip 1.5 - Front View](#)

[Hitch SD Clip 1.5 - Side View](#)

[Hitch SD Clip 1.5 - Section View](#)

[Hitch SD Clip 1.5 - Top View](#)

[Hitch SD Clip 1.5 With Girt - Side View](#)

[Hitch SD Clip 1.5 With Girt - Section View](#)

[Hitch SD Clip 1.5 With Girt - Top View](#)

[Hitch HD Clip - Front View](#)

[Hitch HD Clip - Side View](#)

[Hitch HD Clip - Section View](#)

[Hitch HD Clip - Top View](#)

[Hitch HD Clip With Girt - Side View](#)

[Hitch HD Clip With Girt - Section View](#)

[Hitch HD Clip With Girt - Top View](#)

[Hitch HD+ Clip - Front View](#)

[Hitch HD+ Clip - Side View](#)

[Hitch HD+ Clip - Section View](#)

[Hitch HD+ Clip - Top View](#)

[Hitch HD+ Clip with Girt - Side View](#)

[Hitch HD+ Clip with Girt - Section View](#)

[Hitch HD+ Clip with Girt - Top View](#)

[Hitch Standard Girt \(3/4"\)](#)

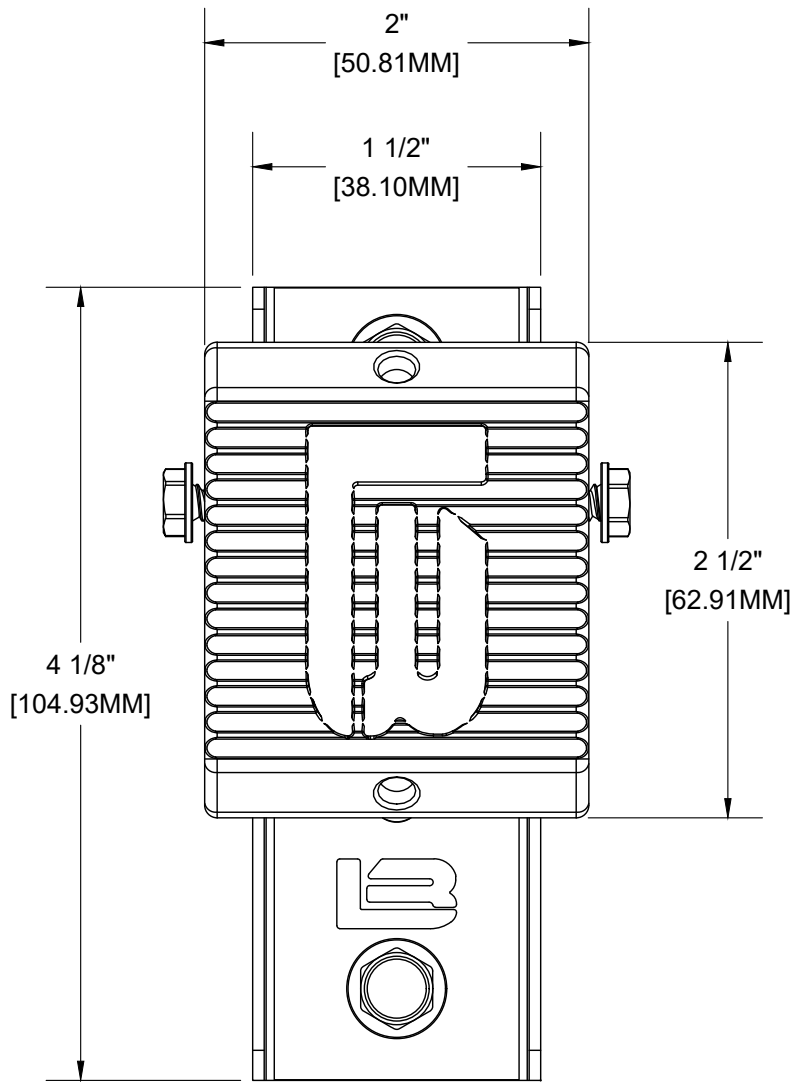
[Hitch Standard Girt \(1"\)](#)

[Hitch Edge Girt \(3/4"\)](#)

[Hitch Edge Girt \(1"\)](#)

[Hitch Girt Adapter \(1-1/4"\)](#)

[Hitch Girt Connector](#)

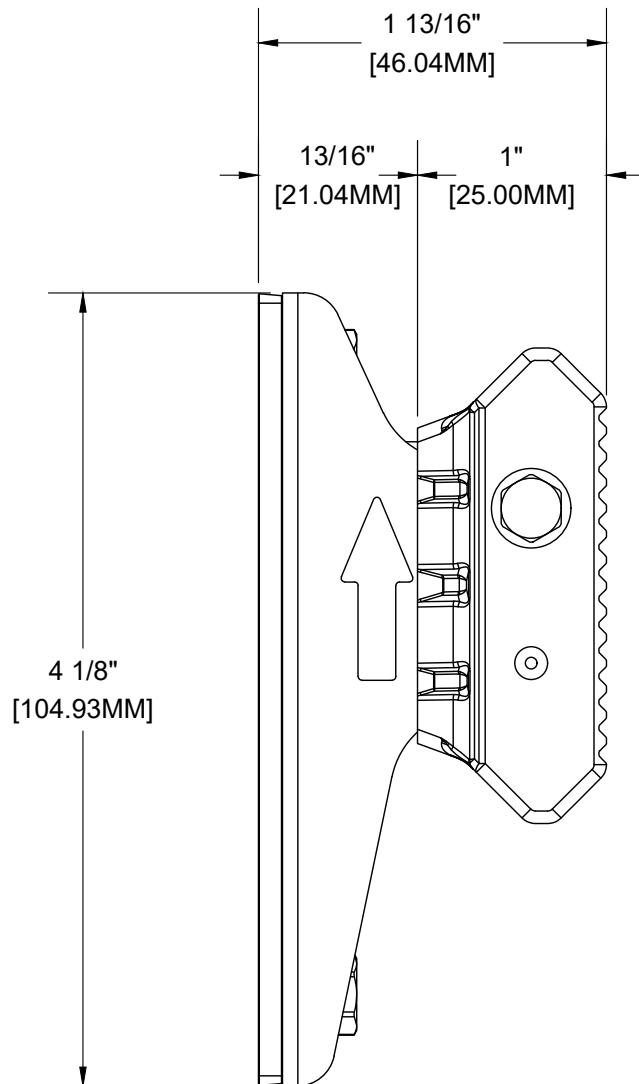


These drawings are published as an information guide only. These CAD drawings are intended as templates to assist the designer, they do not contain the full detail required for construction and must be read in conjunction with the installation instructions on [www.longboardproducts.com](http://www.longboardproducts.com). You should obtain architectural, engineering or other technical advice to assess the suitability of these drawings to the requirements of your particular project. Mayne Coatings Corp. and Longboard products accepts no liability in respect to the use of these drawings.

For complete installation instructions refer to the appropriate documentation at [www.longboardsuppliers.com/installation](http://www.longboardsuppliers.com/installation)

SD CLIP 1.5 - FRONT VIEW  
SCALE: 1:1



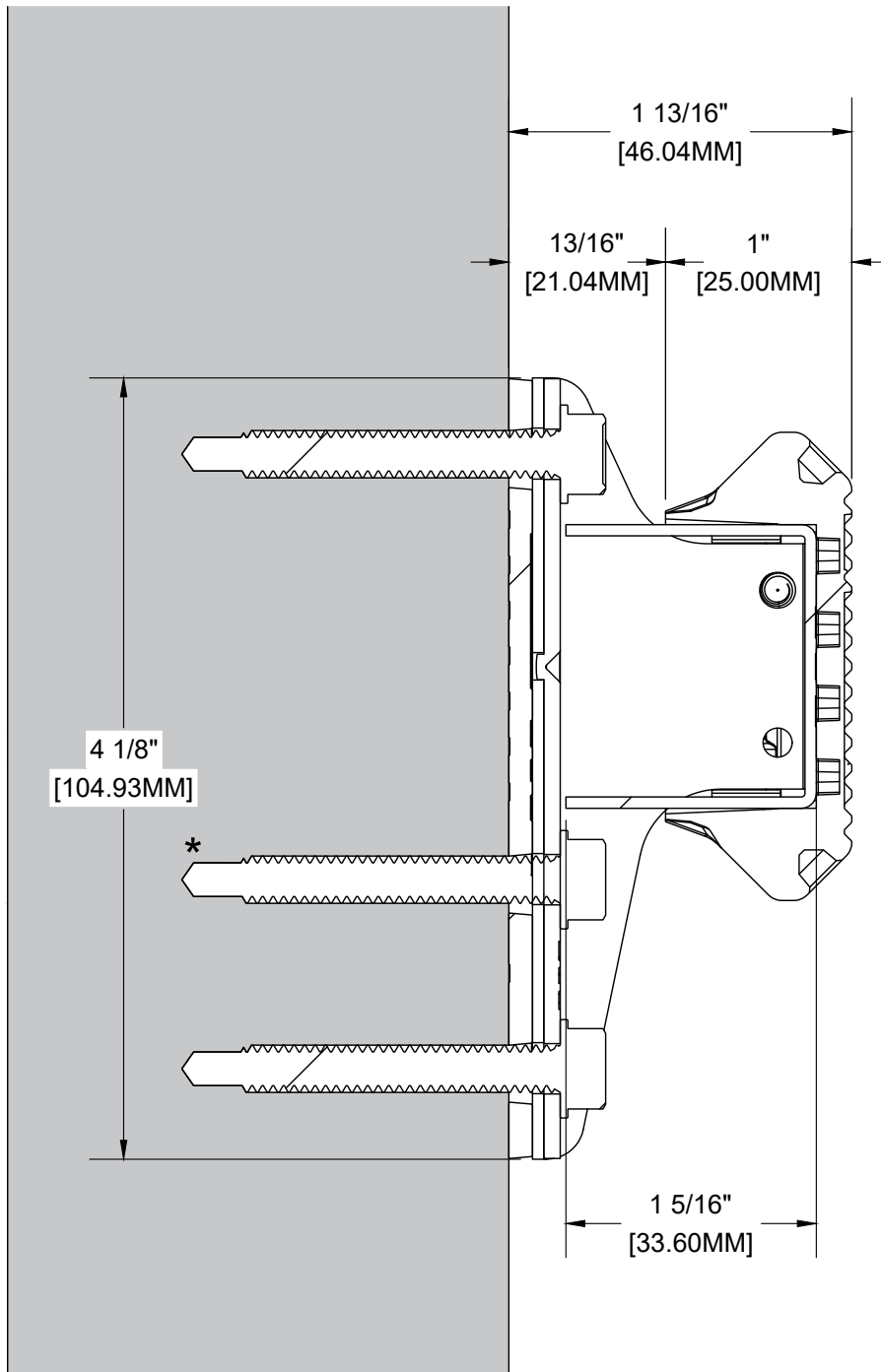


These drawings are published as an information guide only. These CAD drawings are intended as templates to assist the designer, they do not contain the full detail required for construction and must be read in conjunction with the installation instructions on [www.longboardproducts.com](http://www.longboardproducts.com). You should obtain architectural, engineering or other technical advice to assess the suitability of these drawings to the requirements of your particular project. Mayne Coatings Corp. and Longboard products accepts no liability in respect to the use of these drawings.

For complete installation instructions refer to the appropriate documentation at [www.longboardsuppliers.com/installation](http://www.longboardsuppliers.com/installation)

SD CLIP 1.5 - SIDE VIEW  
SCALE: 1:1





\*Only two fasteners are needed for Concrete or CMU.

These drawings are published as an information guide only. These CAD drawings are intended as templates to assist the designer, they do not contain the full detail required for construction and must be read in conjunction with the installation instructions on [www.longboardproducts.com](http://www.longboardproducts.com). You should obtain architectural, engineering or other technical advice to assess the suitability of these drawings to the requirements of your particular project.

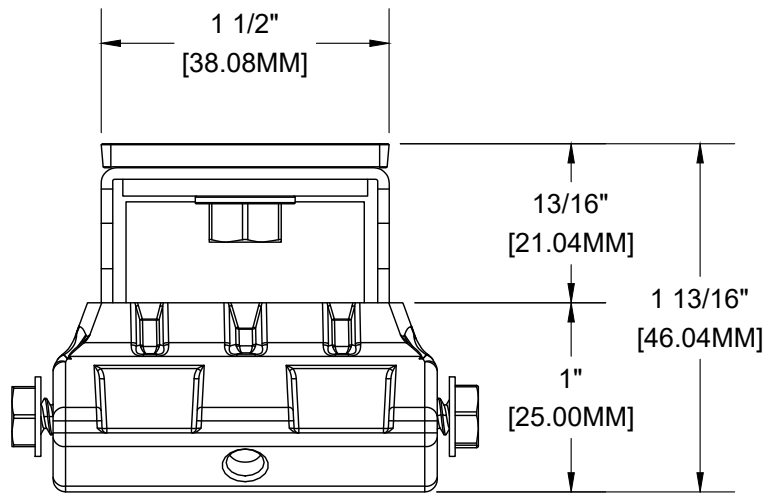
Mayne Coatings Corp. and Longboard products accepts no liability in respect to the use of these drawings.

For complete installation instructions refer to the appropriate documentation at [www.longboardsuppliers.com/installation](http://www.longboardsuppliers.com/installation)

SD CLIP 1.5 - SECTION VIEW

SCALE: 1:1



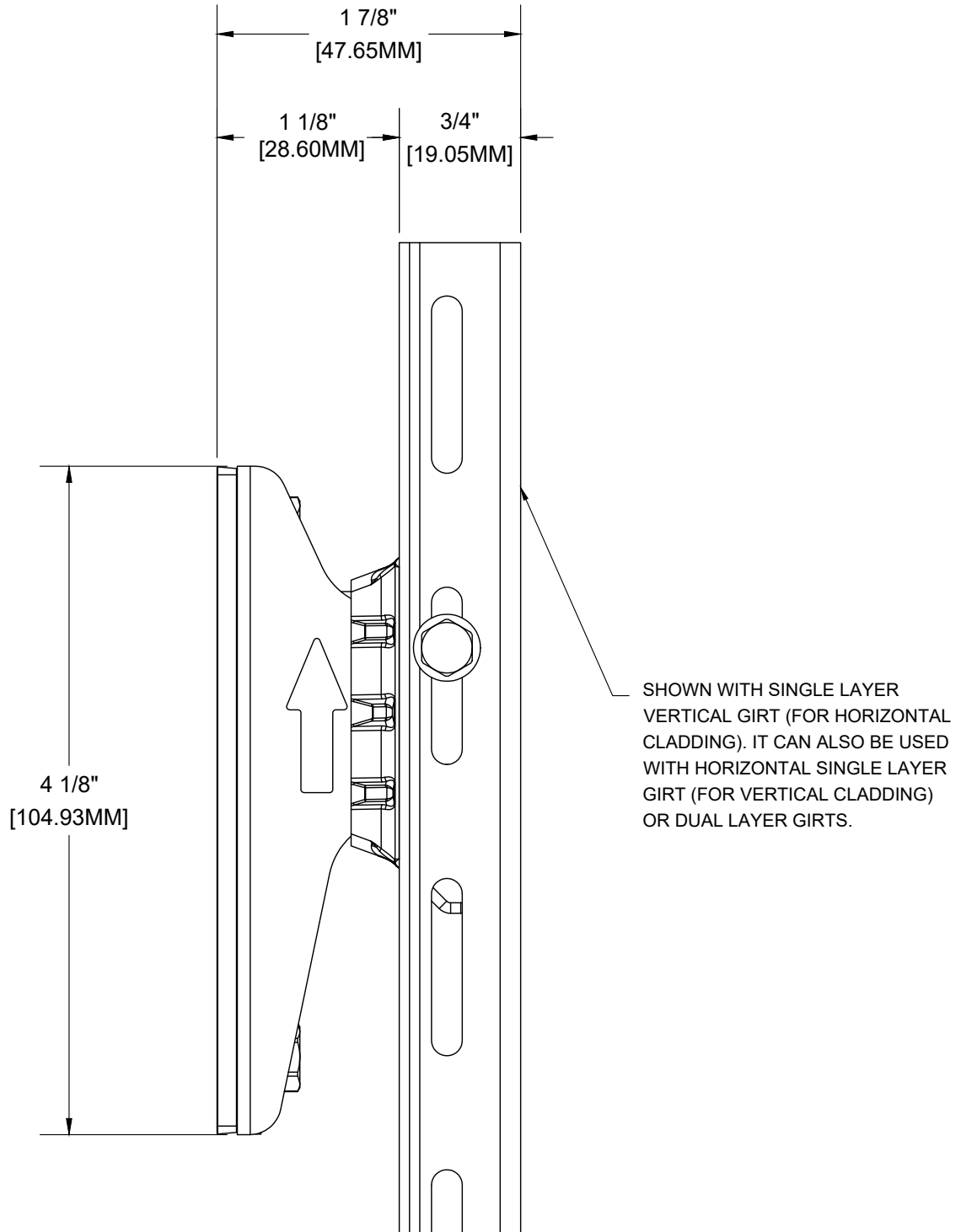


These drawings are published as an information guide only. These CAD drawings are intended as templates to assist the designer, they do not contain the full detail required for construction and must be read in conjunction with the installation instructions on [www.longboardproducts.com](http://www.longboardproducts.com). You should obtain architectural, engineering or other technical advice to assess the suitability of these drawings to the requirements of your particular project. Mayne Coatings Corp. and Longboard products accepts no liability in respect to the use of these drawings.

For complete installation instructions refer to the appropriate documentation at [www.longboardsuppliers.com/installation](http://www.longboardsuppliers.com/installation)

SD CLIP 1.5 - TOP VIEW  
SCALE: 1:1



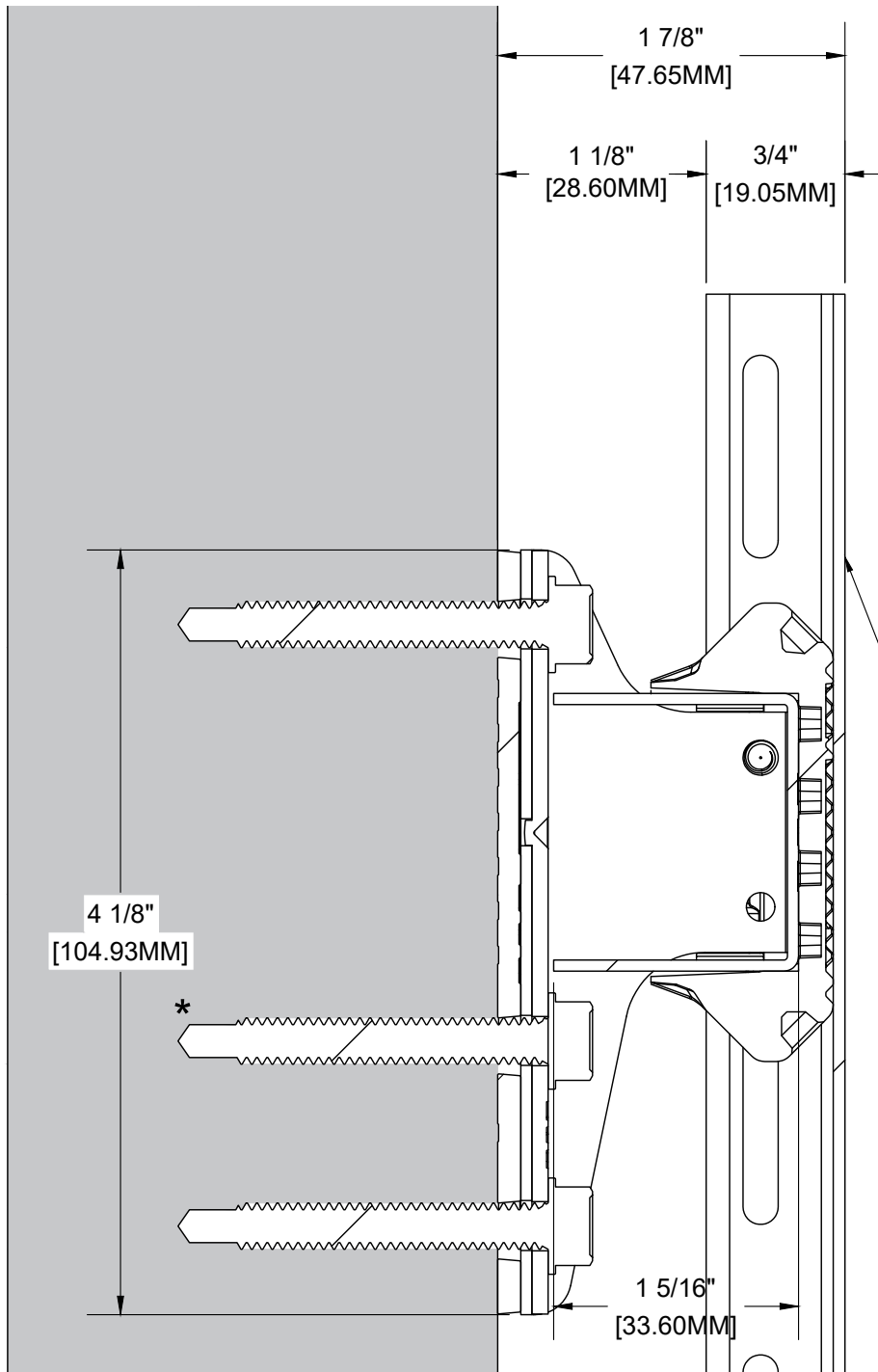


These drawings are published as an information guide only. These CAD drawings are intended as templates to assist the designer, they do not contain the full detail required for construction and must be read in conjunction with the installation instructions on [www.longboardproducts.com](http://www.longboardproducts.com). You should obtain architectural, engineering or other technical advice to assess the suitability of these drawings to the requirements of your particular project. Mayne Coatings Corp. and Longboard products accepts no liability in respect to the use of these drawings.

For complete installation instructions refer to the appropriate documentation at [www.longboardsuppliers.com/installation](http://www.longboardsuppliers.com/installation)

SD CLIP 1.5 WITH GIRT - SIDE VIEW  
SCALE: 1:1





SHOWN WITH SINGLE LAYER VERTICAL GIRT (FOR HORIZONTAL CLADDING). IT CAN ALSO BE USED WITH HORIZONTAL SINGLE LAYER GIRT (FOR VERTICAL CLADDING) OR DUAL LAYER GIRTS.

\*Only two fasteners are needed for Concrete or CMU.

These drawings are published as an information guide only. These CAD drawings are intended as templates to assist the designer, they do not contain the full detail required for construction and must be read in conjunction with the installation instructions on [www.longboardproducts.com](http://www.longboardproducts.com). You should obtain architectural, engineering or other technical advice to assess the suitability of these drawings to the requirements of your particular project.

Mayne Coatings Corp. and Longboard products accepts no liability in respect to the use of these drawings.

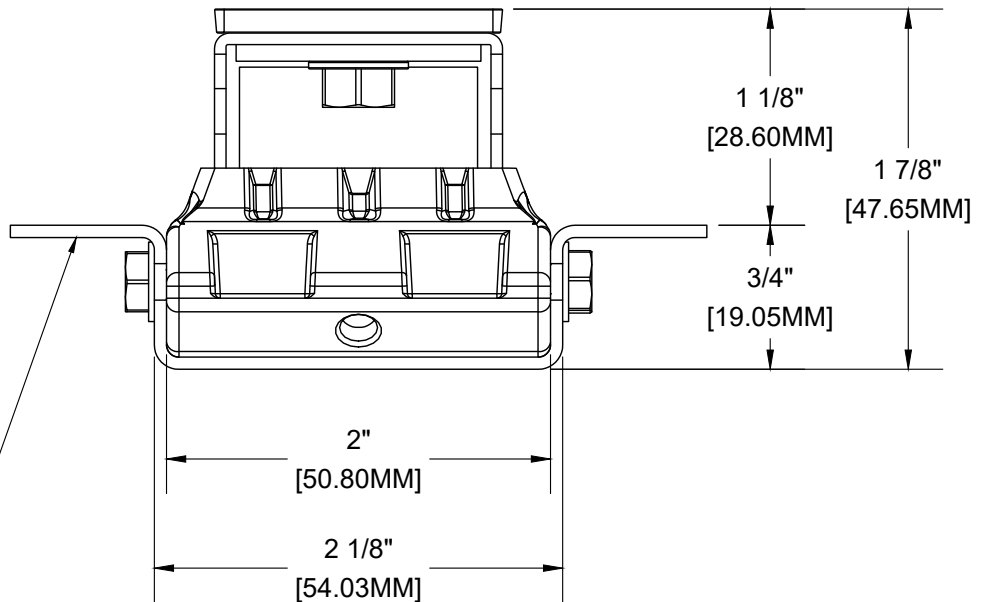
For complete installation instructions refer to the appropriate documentation at [www.longboardsuppliers.com/installation](http://www.longboardsuppliers.com/installation)

### SD CLIP 1.5 WITH GIRT - SECTION VIEW

SCALE: 1:1



SHOWN WITH SINGLE LAYER VERTICAL GIRT (FOR HORIZONTAL CLADDING). IT CAN ALSO BE USED WITH HORIZONTAL SINGLE LAYER GIRT (FOR VERTICAL CLADDING) OR DUAL LAYER GIRTS.



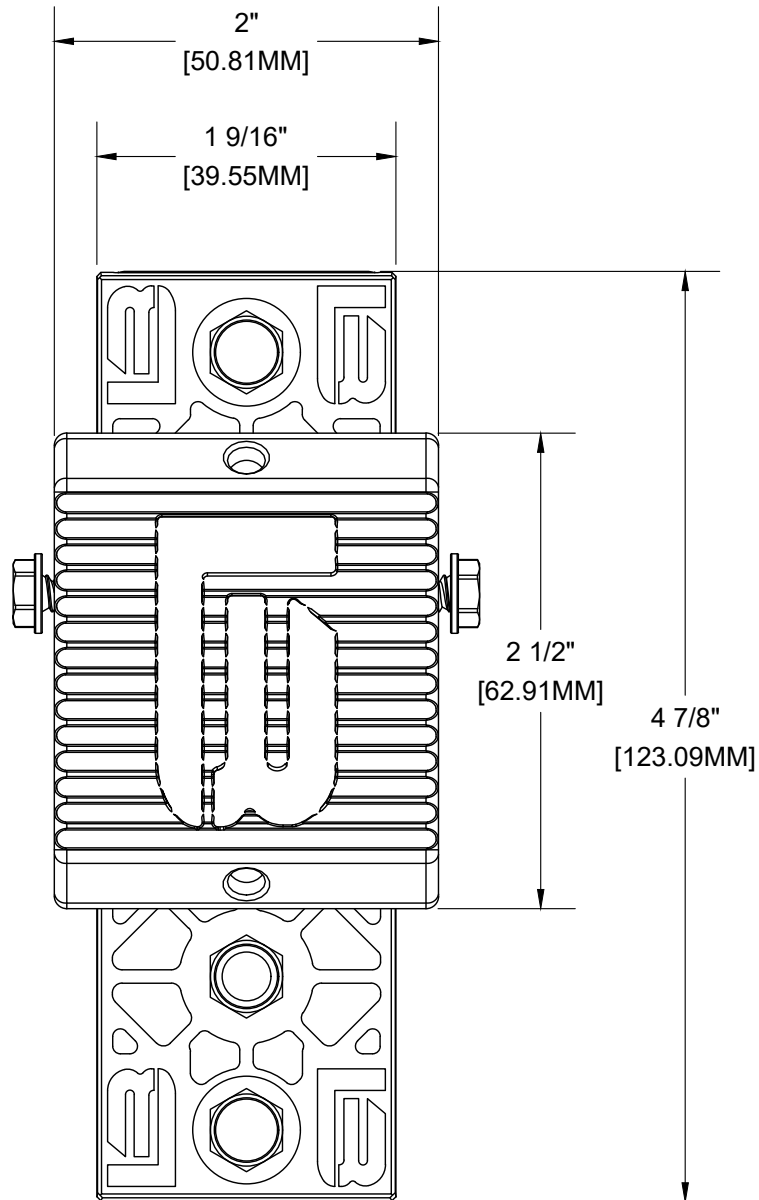
These drawings are published as an information guide only. These CAD drawings are intended as templates to assist the designer, they do not contain the full detail required for construction and must be read in conjunction with the installation instructions on [www.longboardproducts.com](http://www.longboardproducts.com). You should obtain architectural, engineering or other technical advice to assess the suitability of these drawings to the requirements of your particular project. Mayne Coatings Corp. and Longboard products accepts no liability in respect to the use of these drawings.

For complete installation instructions refer to the appropriate documentation at [www.longboardsuppliers.com/installation](http://www.longboardsuppliers.com/installation)

SD CLIP 1.5 WITH GIRT - TOP VIEW  
SCALE: 1:1





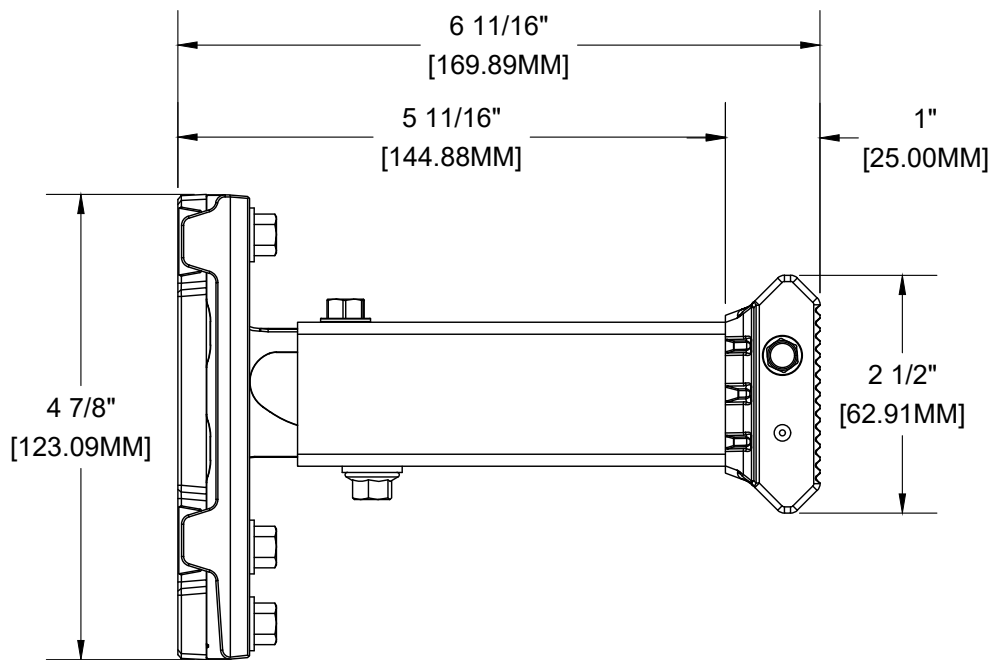


These drawings are published as an information guide only. These CAD drawings are intended as templates to assist the designer, they do not contain the full detail required for construction and must be read in conjunction with the installation instructions on [www.longboardproducts.com](http://www.longboardproducts.com). You should obtain architectural, engineering or other technical advice to assess the suitability of these drawings to the requirements of your particular project. Mayne Coatings Corp. and Longboard products accepts no liability in respect to the use of these drawings.

For complete installation instructions refer to the appropriate documentation at [www.longboardsuppliers.com/installation](http://www.longboardsuppliers.com/installation)

HD CLIP - FRONT VIEW  
SCALE: 1:1



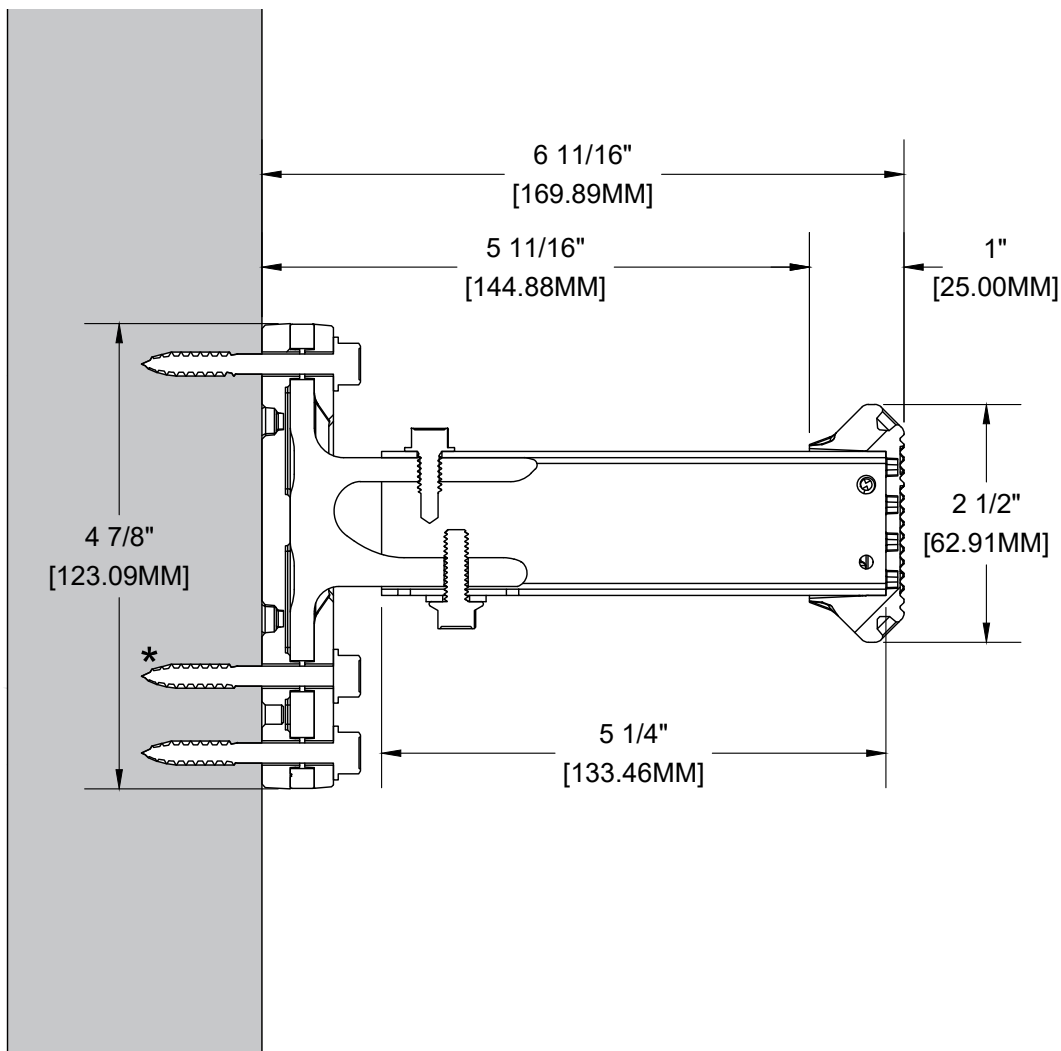


These drawings are published as an information guide only. These CAD drawings are intended as templates to assist the designer, they do not contain the full detail required for construction and must be read in conjunction with the installation instructions on [www.longboardproducts.com](http://www.longboardproducts.com). You should obtain architectural, engineering or other technical advice to assess the suitability of these drawings to the requirements of your particular project. Mayne Coatings Corp. and Longboard products accepts no liability in respect to the use of these drawings.

For complete installation instructions refer to the appropriate documentation at [www.longboardsuppliers.com/installation](http://www.longboardsuppliers.com/installation)

HD CLIP - SIDE VIEW  
SCALE: 1:2





\*Only two fasteners are needed for Concrete or CMU.

These drawings are published as an information guide only. These CAD drawings are intended as templates to assist the designer, they do not contain the full detail required for construction and must be read in conjunction with the installation instructions on [www.longboardproducts.com](http://www.longboardproducts.com). You should obtain architectural, engineering or other technical advice to assess the suitability of these drawings to the requirements of your particular project.

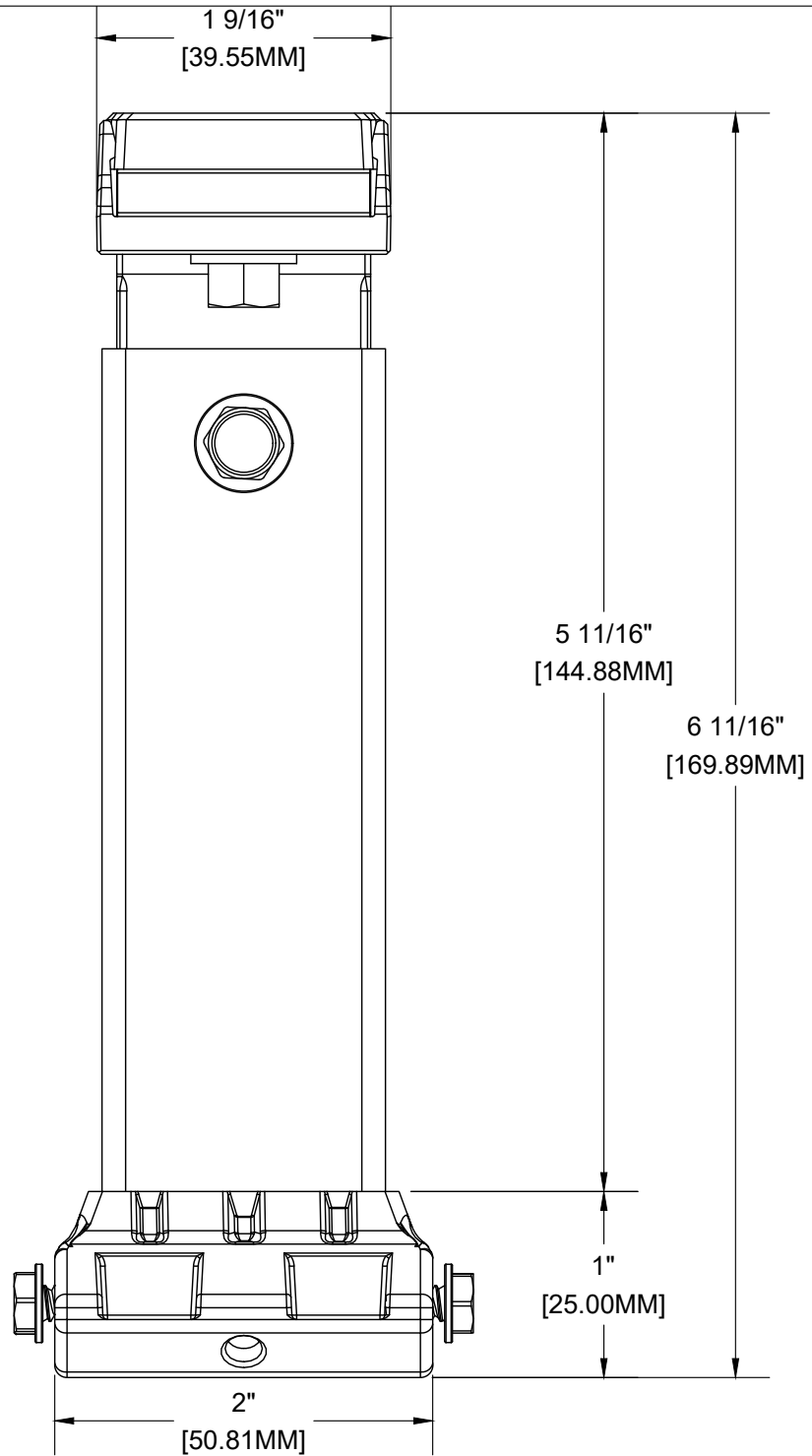
Mayne Coatings Corp. and Longboard products accepts no liability in respect to the use of these drawings.

For complete installation instructions refer to the appropriate documentation at [www.longboardsuppliers.com/installation](http://www.longboardsuppliers.com/installation)

### HD CLIP - SECTION VIEW

SCALE: 1:2



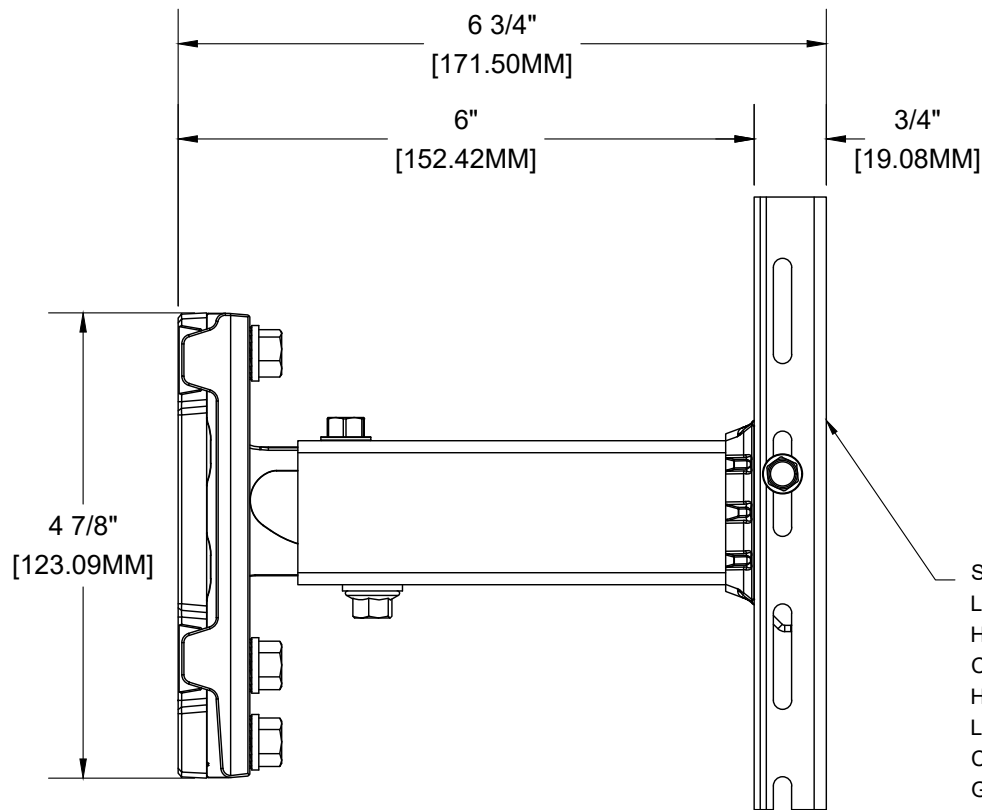


These drawings are published as an information guide only. These CAD drawings are intended as templates to assist the designer, they do not contain the full detail required for construction and must be read in conjunction with the installation instructions on [www.longboardproducts.com](http://www.longboardproducts.com). You should obtain architectural, engineering or other technical advice to assess the suitability of these drawings to the requirements of your particular project. Mayne Coatings Corp. and Longboard products accepts no liability in respect to the use of these drawings.

For complete installation instructions refer to the appropriate documentation at [www.longboardsuppliers.com/installation](http://www.longboardsuppliers.com/installation)

HD CLIP - TOP VIEW  
SCALE: 1:1



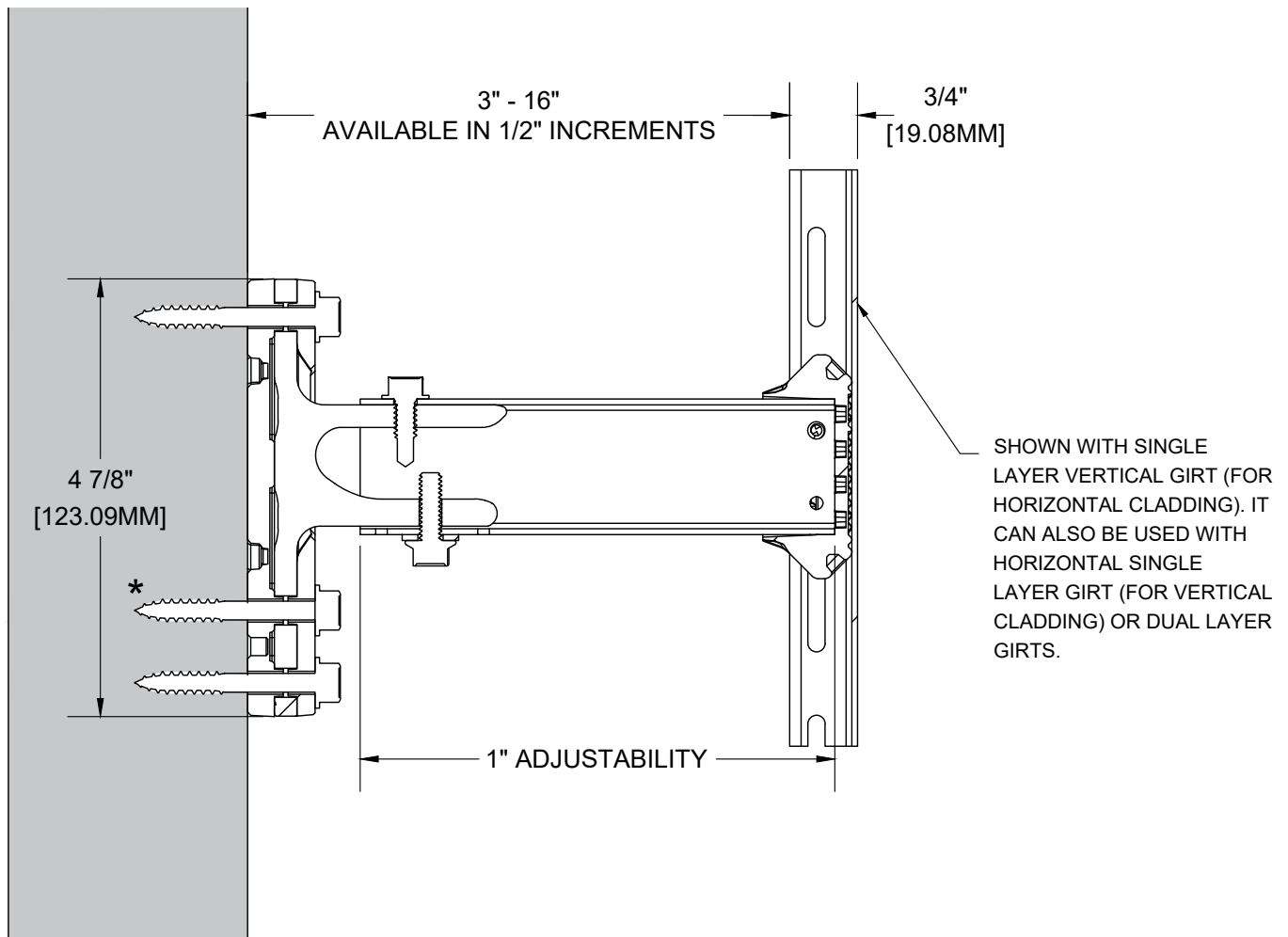


These drawings are published as an information guide only. These CAD drawings are intended as templates to assist the designer, they do not contain the full detail required for construction and must be read in conjunction with the installation instructions on [www.longboardproducts.com](http://www.longboardproducts.com). You should obtain architectural, engineering or other technical advice to assess the suitability of these drawings to the requirements of your particular project. Mayne Coatings Corp. and Longboard products accepts no liability in respect to the use of these drawings.

For complete installation instructions refer to the appropriate documentation at [www.longboardsuppliers.com/installation](http://www.longboardsuppliers.com/installation)

HD CLIP WITH GIRT - SIDE VIEW  
SCALE: 1:2





\*Only two fasteners are needed for Concrete or CMU.

These drawings are published as an information guide only. These CAD drawings are intended as templates to assist the designer, they do not contain the full detail required for construction and must be read in conjunction with the installation instructions on [www.longboardproducts.com](http://www.longboardproducts.com). You should obtain architectural, engineering or other technical advice to assess the suitability of these drawings to the requirements of your particular project.

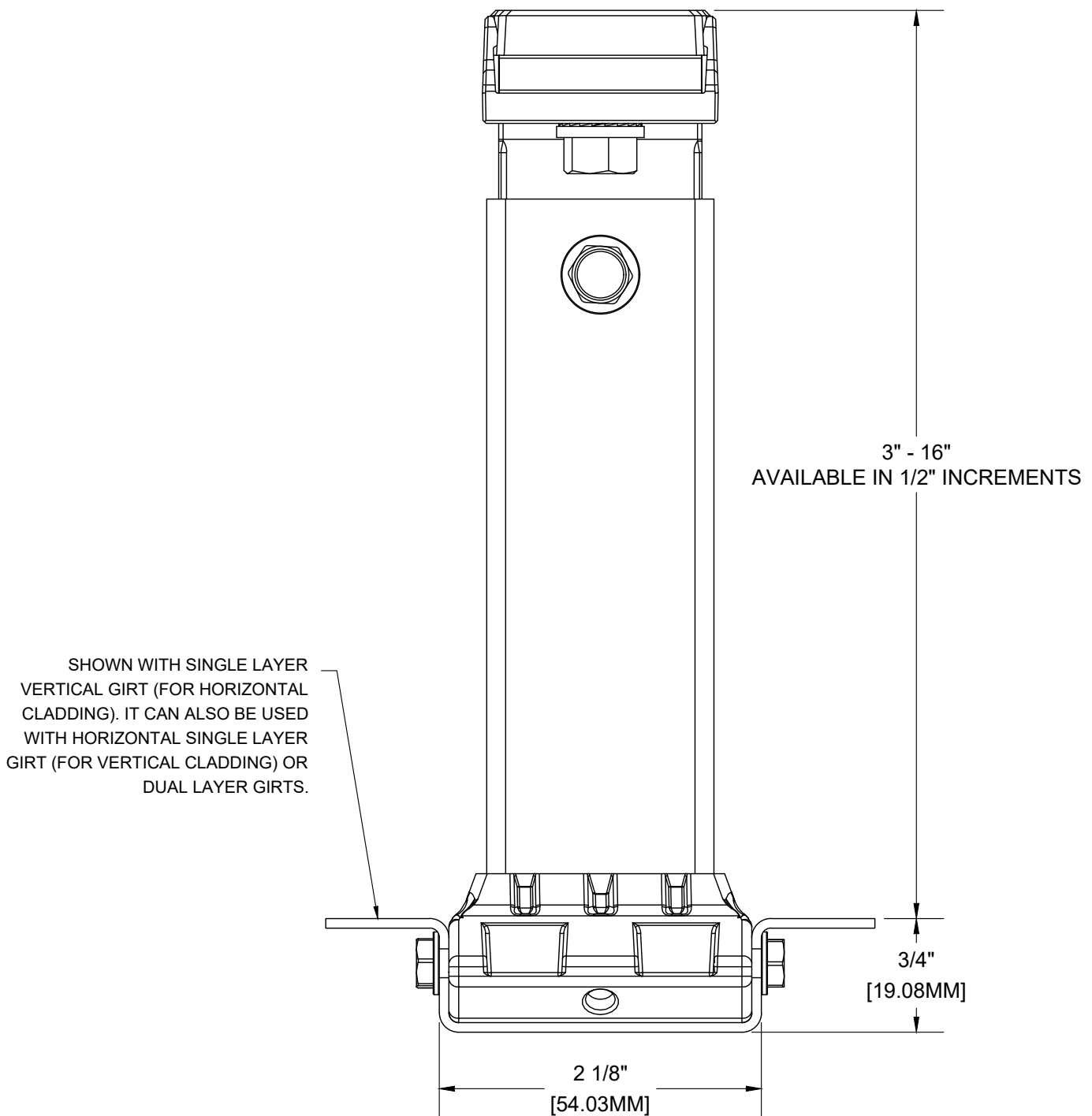
Mayne Coatings Corp. and Longboard products accepts no liability in respect to the use of these drawings.

For complete installation instructions refer to the appropriate documentation at [www.longboardsuppliers.com/installation](http://www.longboardsuppliers.com/installation)

## HD CLIP WITH GIRT - SECTION VIEW

SCALE: 1:2



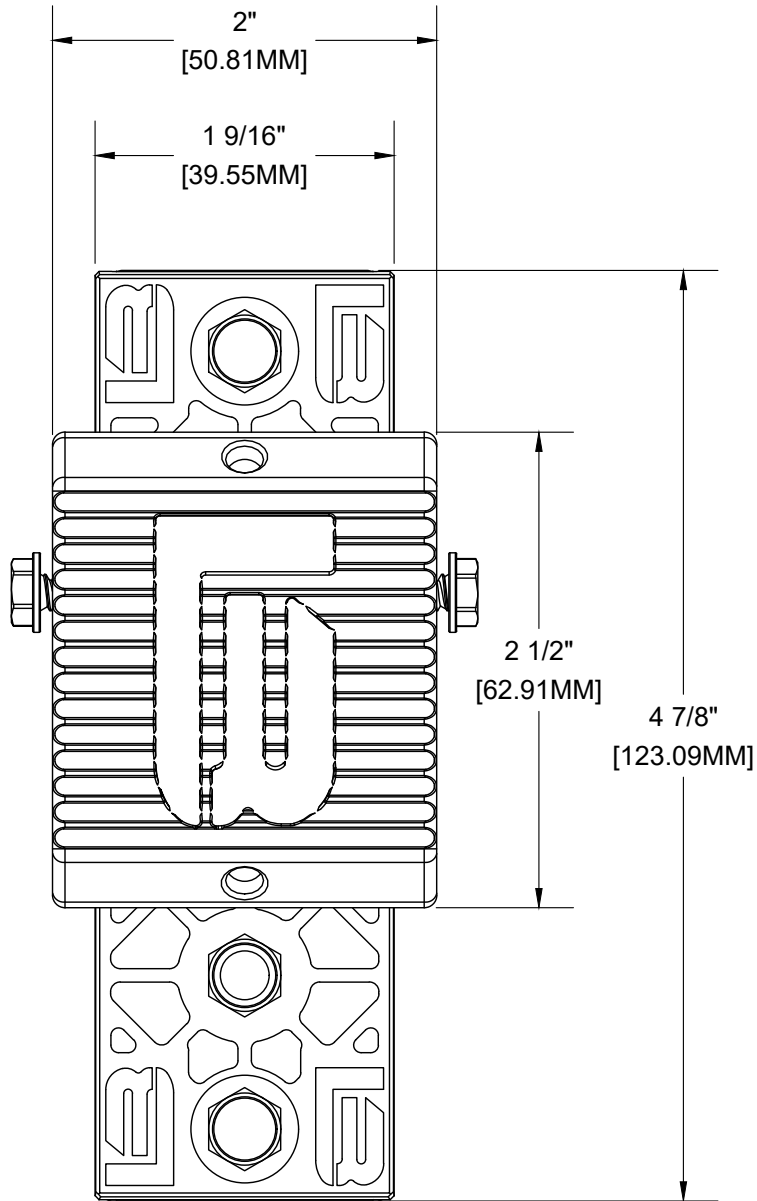


These drawings are published as an information guide only. These CAD drawings are intended as templates to assist the designer, they do not contain the full detail required for construction and must be read in conjunction with the installation instructions on [www.longboardproducts.com](http://www.longboardproducts.com). You should obtain architectural, engineering or other technical advice to assess the suitability of these drawings to the requirements of your particular project. Mayne Coatings Corp. and Longboard products accepts no liability in respect to the use of these drawings.

For complete installation instructions refer to the appropriate documentation at [www.longboardsuppliers.com/installation](http://www.longboardsuppliers.com/installation)

HD CLIP WITH GIRT - TOP VIEW  
SCALE: 1:1





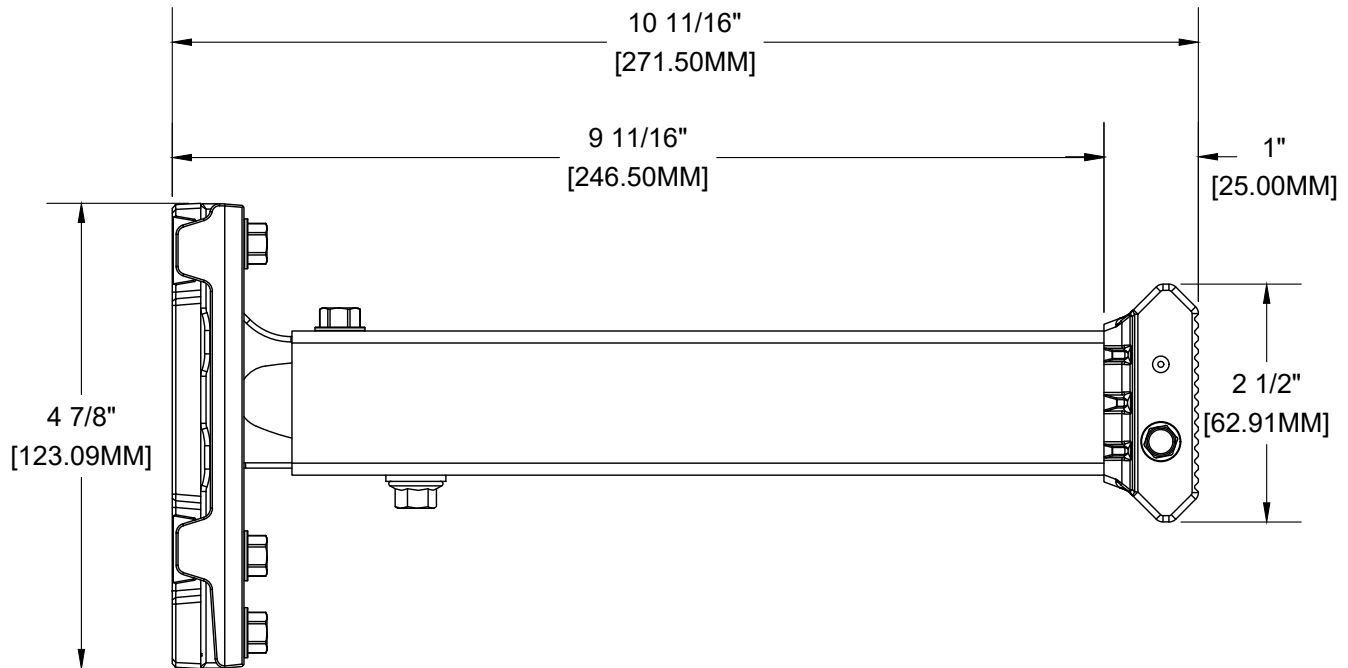
These drawings are published as an information guide only. These CAD drawings are intended as templates to assist the designer, they do not contain the full detail required for construction and must be read in conjunction with the installation instructions on [www.longboardproducts.com](http://www.longboardproducts.com). You should obtain architectural, engineering or other technical advice to assess the suitability of these drawings to the requirements of your particular project. Mayne Coatings Corp. and Longboard products accepts no liability in respect to the use of these drawings.

For complete installation instructions refer to the appropriate documentation at [www.longboardsuppliers.com/installation](http://www.longboardsuppliers.com/installation)

HD+ CLIP - FRONT VIEW  
SCALE: 1:1





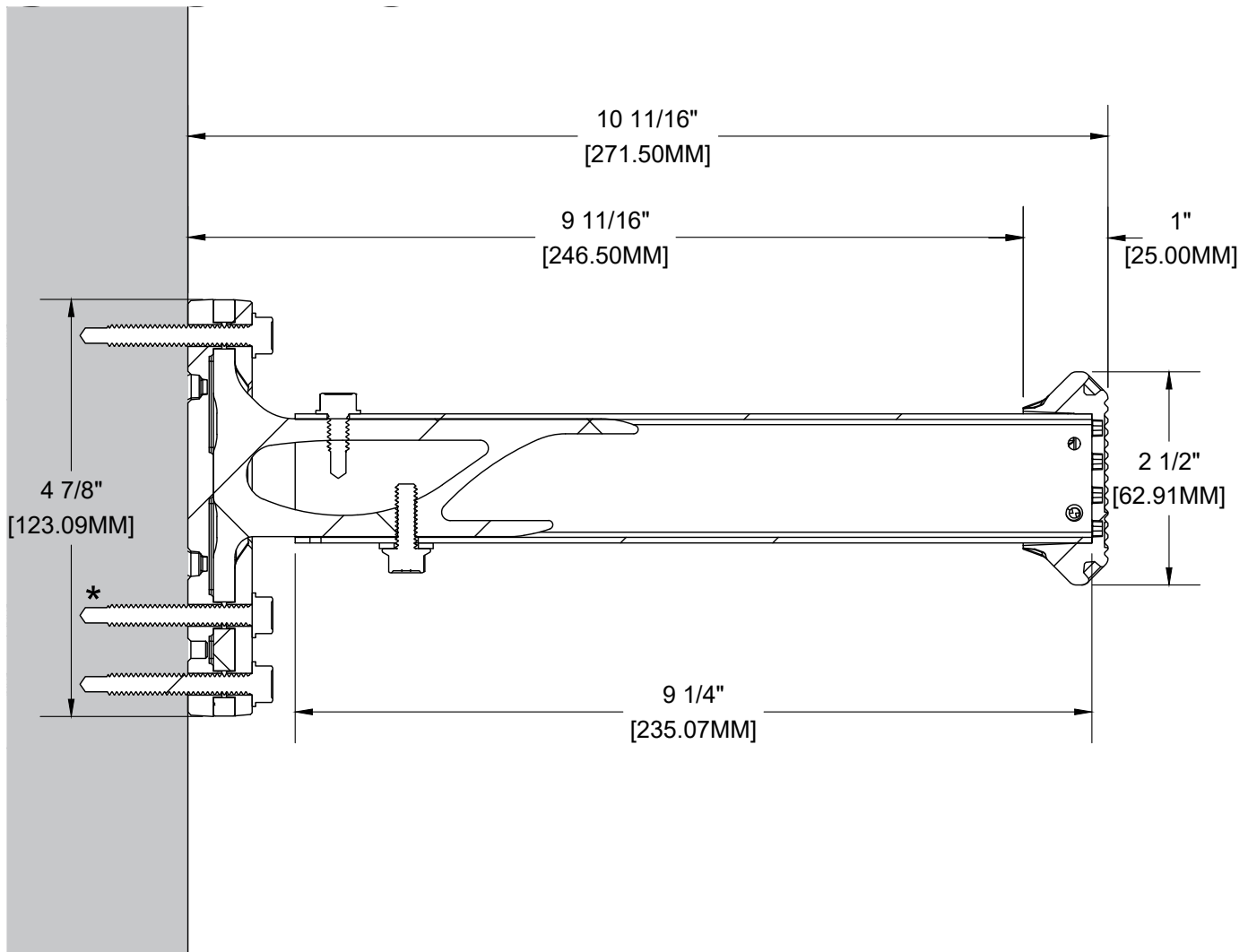


These drawings are published as an information guide only. These CAD drawings are intended as templates to assist the designer, they do not contain the full detail required for construction and must be read in conjunction with the installation instructions on [www.longboardproducts.com](http://www.longboardproducts.com). You should obtain architectural, engineering or other technical advice to assess the suitability of these drawings to the requirements of your particular project. Mayne Coatings Corp. and Longboard products accepts no liability in respect to the use of these drawings.

For complete installation instructions refer to the appropriate documentation at [www.longboardsuppliers.com/installation](http://www.longboardsuppliers.com/installation)

HD+ CLIP - SIDE VIEW  
SCALE: 1:2





\*Only two fasteners are needed for Concrete or CMU.

These drawings are published as an information guide only. These CAD drawings are intended as templates to assist the designer, they do not contain the full detail required for construction and must be read in conjunction with the installation instructions on [www.longboardproducts.com](http://www.longboardproducts.com). You should obtain architectural, engineering or other technical advice to assess the suitability of these drawings to the requirements of your particular project.

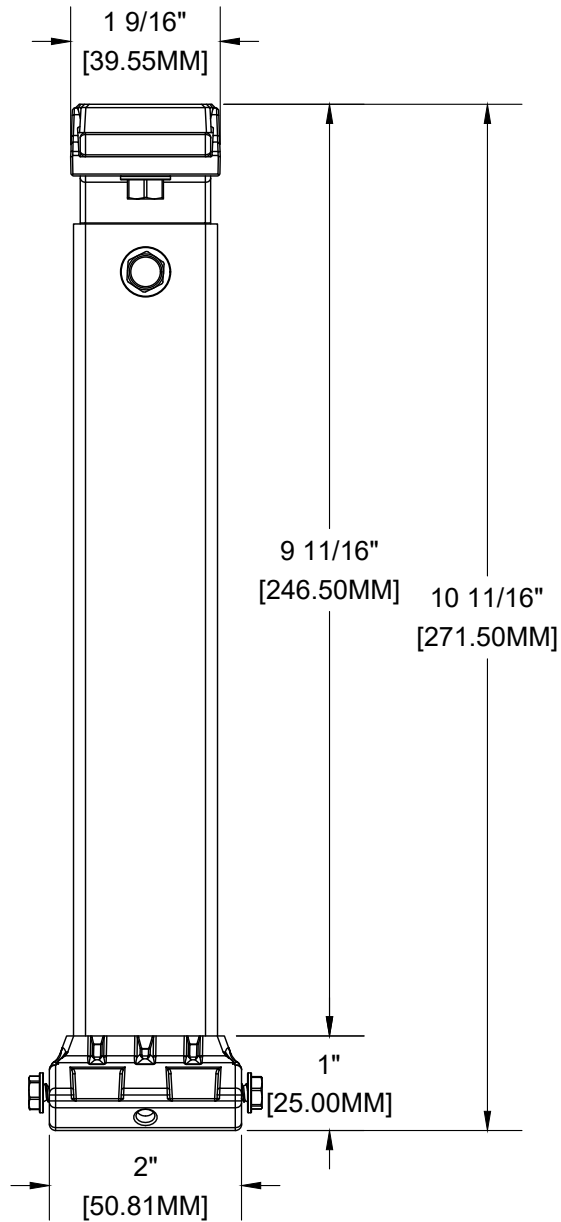
Mayne Coatings Corp. and Longboard products accepts no liability in respect to the use of these drawings.

For complete installation instructions refer to the appropriate documentation at [www.longboardsuppliers.com/installation](http://www.longboardsuppliers.com/installation)

HD+ CLIP - SECTION VIEW

SCALE: 1:2



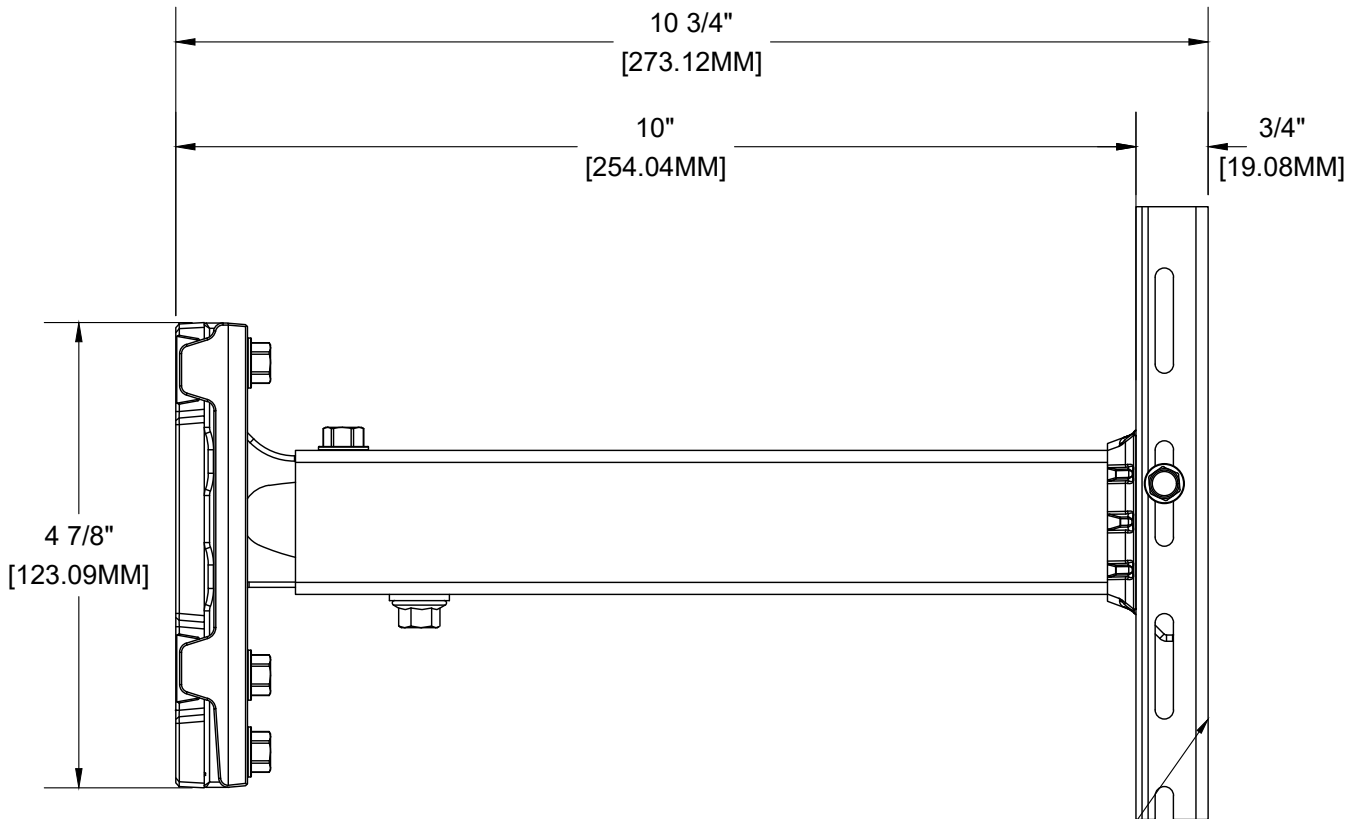


These drawings are published as an information guide only. These CAD drawings are intended as templates to assist the designer, they do not contain the full detail required for construction and must be read in conjunction with the installation instructions on [www.longboardproducts.com](http://www.longboardproducts.com). You should obtain architectural, engineering or other technical advice to assess the suitability of these drawings to the requirements of your particular project. Mayne Coatings Corp. and Longboard products accepts no liability in respect to the use of these drawings.

For complete installation instructions refer to the appropriate documentation at [www.longboardsuppliers.com/installation](http://www.longboardsuppliers.com/installation)

HD+ CLIP - TOP VIEW  
SCALE: 1:2





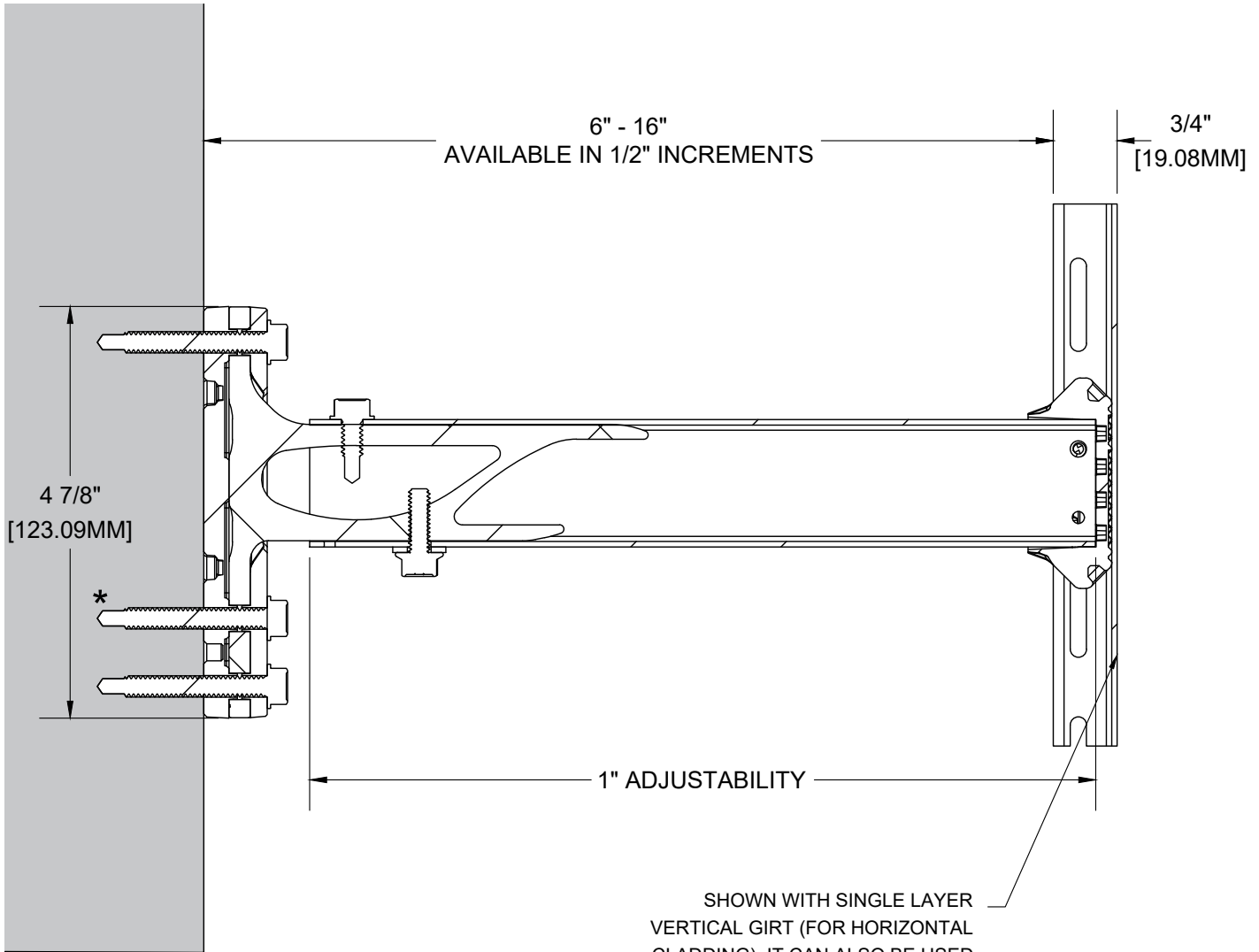
SHOWN WITH SINGLE LAYER  
 VERTICAL GIRT (FOR HORIZONTAL  
 CLADDING). IT CAN ALSO BE USED  
 WITH HORIZONTAL SINGLE LAYER  
 GIRT (FOR VERTICAL CLADDING)  
 OR DUAL LAYER GIRTS.

These drawings are published as an information guide only. These CAD drawings are intended as templates to assist the designer, they do not contain the full detail required for construction and must be read in conjunction with the installation instructions on [www.longboardproducts.com](http://www.longboardproducts.com). You should obtain architectural, engineering or other technical advice to assess the suitability of these drawings to the requirements of your particular project. Mayne Coatings Corp. and Longboard products accepts no liability in respect to the use of these drawings.

For complete installation instructions refer to the appropriate documentation at [www.longboardsuppliers.com/installation](http://www.longboardsuppliers.com/installation)

HD+ CLIP W GIRT - SIDE VIEW  
 SCALE: 1:2





SHOWN WITH SINGLE LAYER  
 VERTICAL GIRT (FOR HORIZONTAL  
 CLADDING). IT CAN ALSO BE USED  
 WITH HORIZONTAL SINGLE LAYER  
 GIRT (FOR VERTICAL CLADDING)  
 OR DUAL LAYER GIRTS.

\*Only two fasteners are needed for Concrete or CMU.

These drawings are published as an information guide only. These CAD drawings are intended as templates to assist the designer, they do not contain the full detail required for construction and must be read in conjunction with the installation instructions on [www.longboardproducts.com](http://www.longboardproducts.com). You should obtain architectural, engineering or other technical advice to assess the suitability of these drawings to the requirements of your particular project.

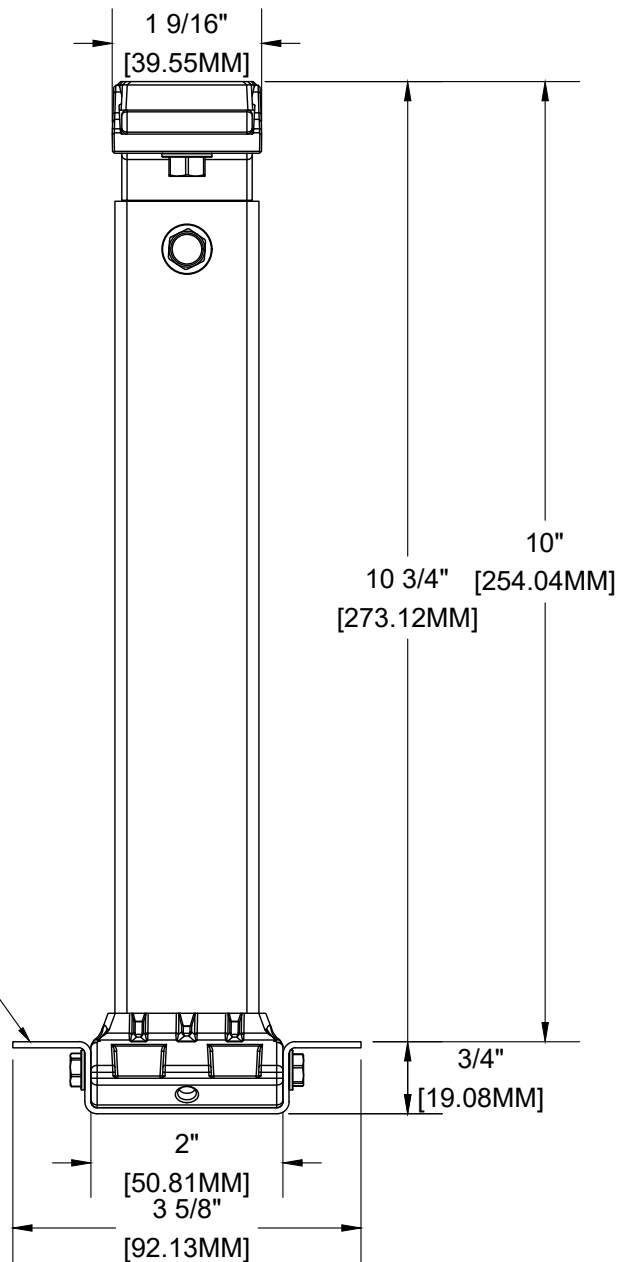
Mayne Coatings Corp. and Longboard products accepts no liability in respect to the use of these drawings.

For complete installation instructions refer to the appropriate documentation at [www.longboardsuppliers.com/installation](http://www.longboardsuppliers.com/installation)

HD+ CLIP W GIRT - SECTION VIEW

SCALE: 1:2





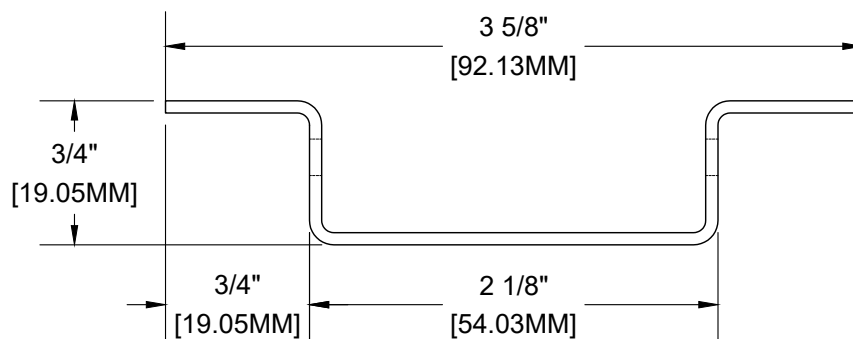
SHOWN WITH SINGLE LAYER  
 VERTICAL GIRTS (FOR HORIZONTAL  
 CLADDING). IT CAN ALSO BE USED  
 WITH HORIZONTAL SINGLE LAYER  
 GIRTS (FOR VERTICAL CLADDING)  
 OR DUAL LAYER GIRTS.

These drawings are published as an information guide only. These CAD drawings are intended as templates to assist the designer, they do not contain the full detail required for construction and must be read in conjunction with the installation instructions on [www.longboardproducts.com](http://www.longboardproducts.com). You should obtain architectural, engineering or other technical advice to assess the suitability of these drawings to the requirements of your particular project. Mayne Coatings Corp. and Longboard products accepts no liability in respect to the use of these drawings.

For complete installation instructions refer to the appropriate documentation at [www.longboardsuppliers.com/installation](http://www.longboardsuppliers.com/installation)

HD+ CLIP W GIRTS - TOP VIEW  
 SCALE: 1:2



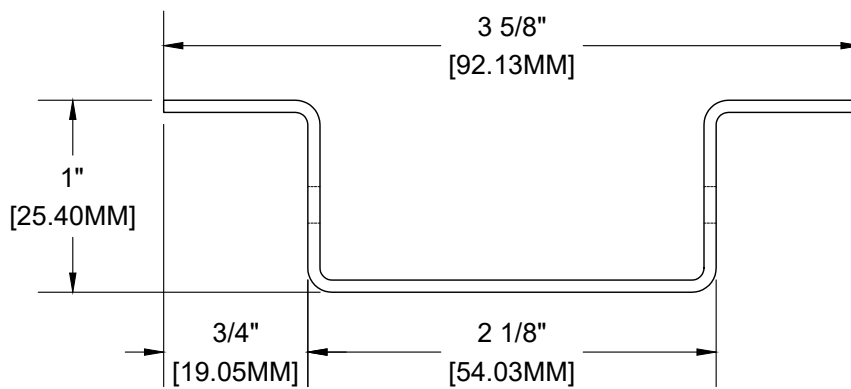


These drawings are published as an information guide only. These CAD drawings are intended as templates to assist the designer, they do not contain the full detail required for construction and must be read in conjunction with the installation instructions on [www.longboardproducts.com](http://www.longboardproducts.com). You should obtain architectural, engineering or other technical advice to assess the suitability of these drawings to the requirements of your particular project. Mayne Coatings Corp. and Longboard products accepts no liability in respect to the use of these drawings.

For complete installation instructions refer to the appropriate documentation at [www.longboardsuppliers.com/installation](http://www.longboardsuppliers.com/installation)

**STANDARD GIRT (3/4")**  
 MATERIAL: GALVALUME  
 WEIGHT: 0.473 LBS/ LF  
 SCALE: 1:1





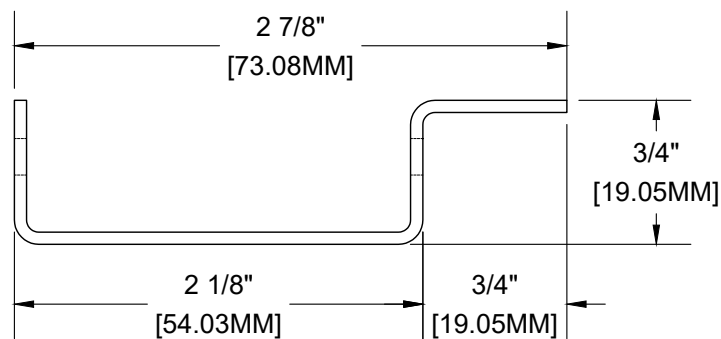
These drawings are published as an information guide only. These CAD drawings are intended as templates to assist the designer, they do not contain the full detail required for construction and must be read in conjunction with the installation instructions on [www.longboardproducts.com](http://www.longboardproducts.com). You should obtain architectural, engineering or other technical advice to assess the suitability of these drawings to the requirements of your particular project. Mayne Coatings Corp. and Longboard products accepts no liability in respect to the use of these drawings.

For complete installation instructions refer to the appropriate documentation at [www.longboardsuppliers.com/installation](http://www.longboardsuppliers.com/installation)

**STANDARD GIRT (1")**  
 MATERIAL: GALVALUME  
 WEIGHT: 0.524 LBS/ LF  
 SCALE: 1:1





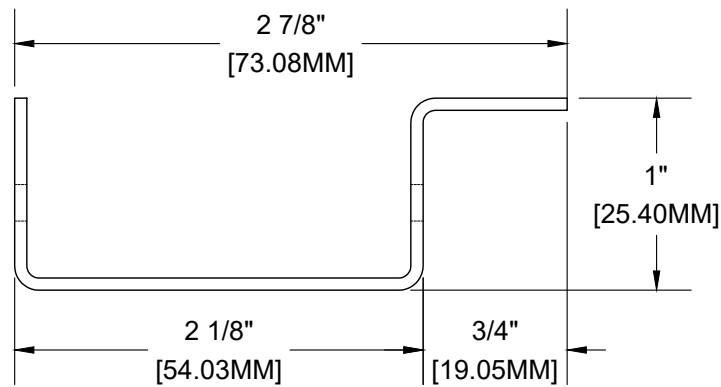


These drawings are published as an information guide only. These CAD drawings are intended as templates to assist the designer, they do not contain the full detail required for construction and must be read in conjunction with the installation instructions on [www.longboardproducts.com](http://www.longboardproducts.com). You should obtain architectural, engineering or other technical advice to assess the suitability of these drawings to the requirements of your particular project. Mayne Coatings Corp. and Longboard products accepts no liability in respect to the use of these drawings.

For complete installation instructions refer to the appropriate documentation at [www.longboardsuppliers.com/installation](http://www.longboardsuppliers.com/installation)

**EDGE GIRT (3/4")**  
 MATERIAL: GALVALUME  
 WEIGHT: 0.401 LBS/ LF  
 SCALE: 1:1



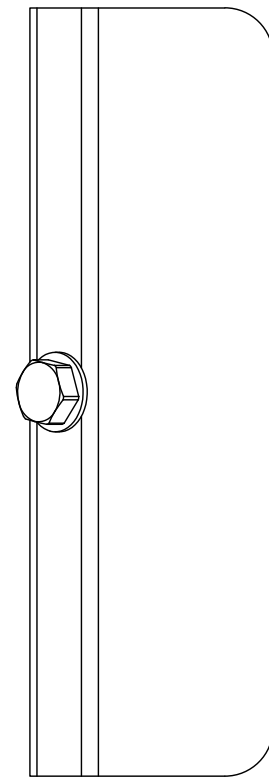
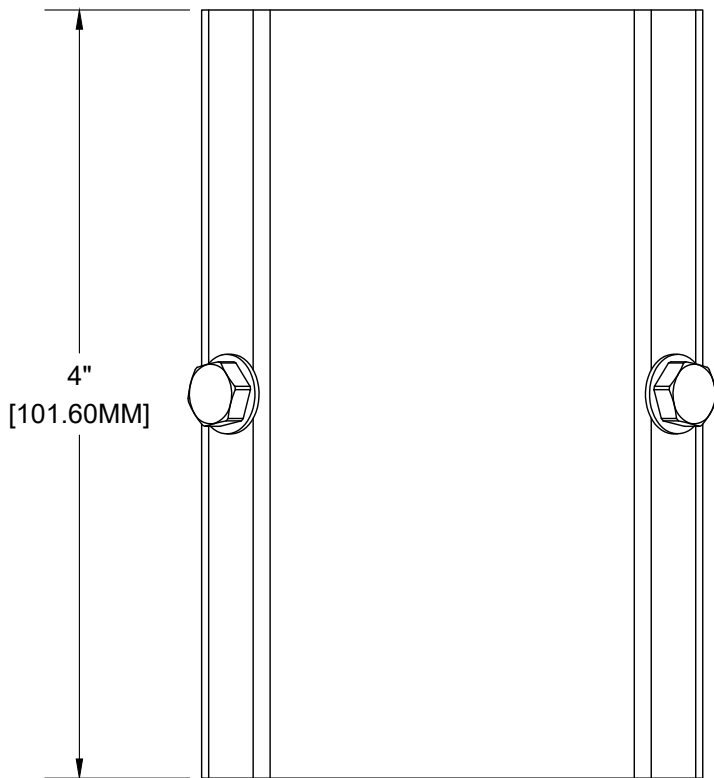
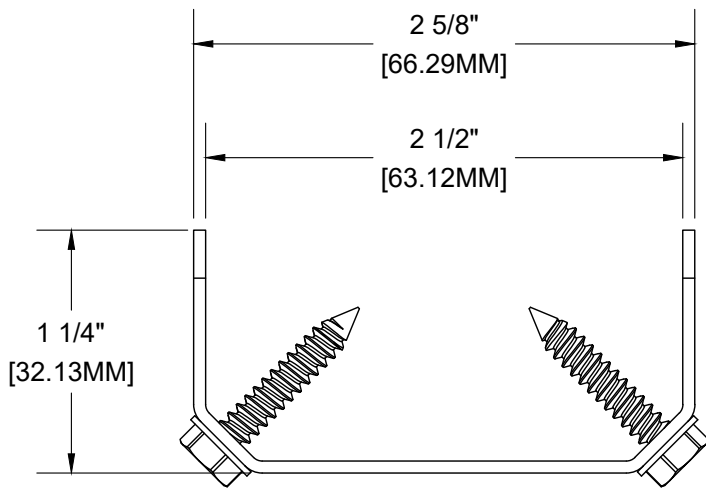


These drawings are published as an information guide only. These CAD drawings are intended as templates to assist the designer, they do not contain the full detail required for construction and must be read in conjunction with the installation instructions on [www.longboardproducts.com](http://www.longboardproducts.com). You should obtain architectural, engineering or other technical advice to assess the suitability of these drawings to the requirements of your particular project. Mayne Coatings Corp. and Longboard products accepts no liability in respect to the use of these drawings.

For complete installation instructions refer to the appropriate documentation at [www.longboardsuppliers.com/installation](http://www.longboardsuppliers.com/installation)

**EDGE GIRT (1")**  
 MATERIAL: GALVALUME  
 WEIGHT: 0.453 LBS/ LF  
 SCALE: 1:1



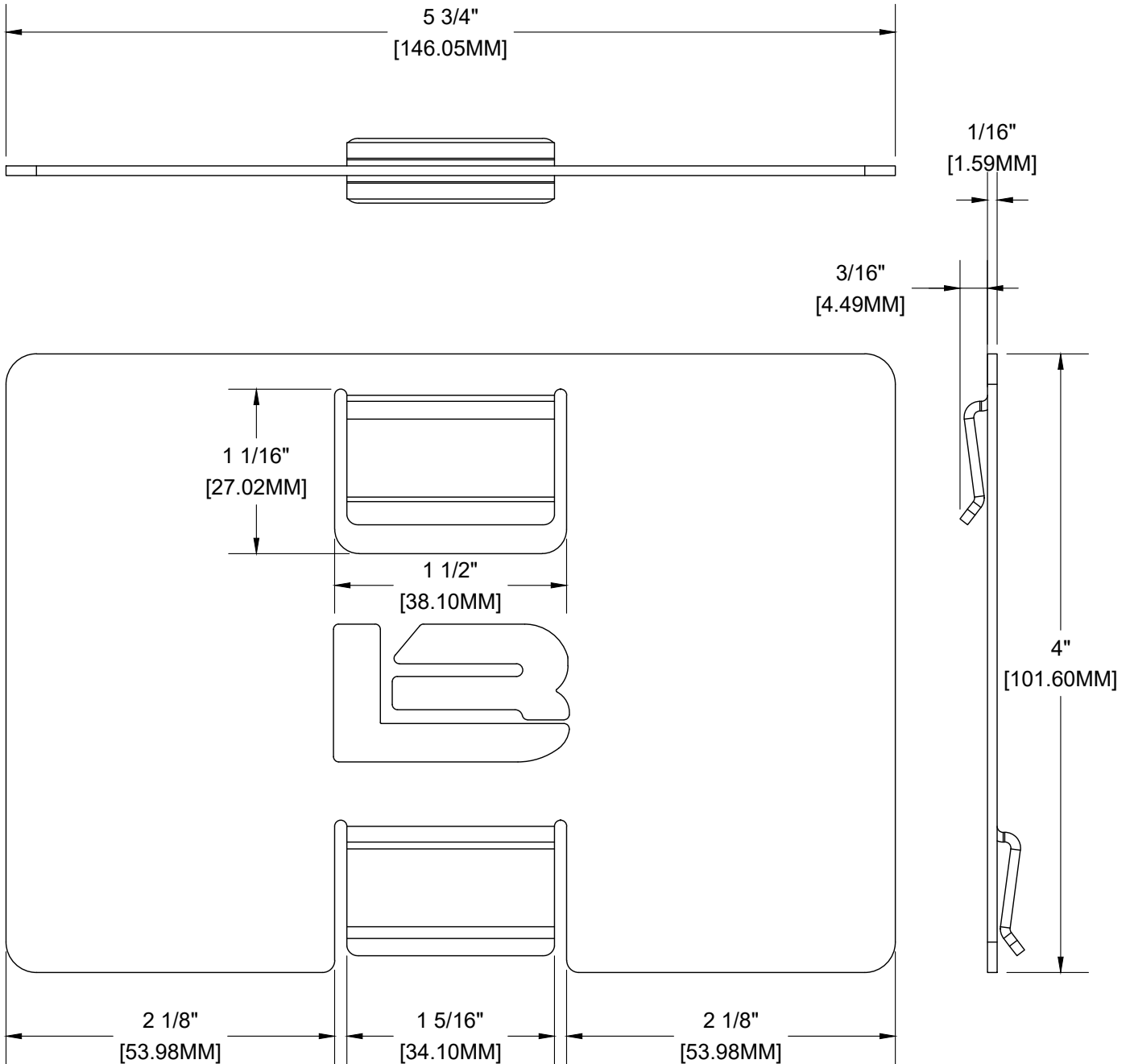


These drawings are published as an information guide only. These CAD drawings are intended as templates to assist the designer, they do not contain the full detail required for construction and must be read in conjunction with the installation instructions on [www.longboardproducts.com](http://www.longboardproducts.com). You should obtain architectural, engineering or other technical advice to assess the suitability of these drawings to the requirements of your particular project. Mayne Coatings Corp. and Longboard products accepts no liability in respect to the use of these drawings.

For complete installation instructions refer to the appropriate documentation at [www.longboardsuppliers.com/installation](http://www.longboardsuppliers.com/installation)

**GIRT ADAPTER (1-1/4")**  
 MATERIAL: GALVALUME  
 WEIGHT: 0.3294 LBS  
 SCALE: 1:1





These drawings are published as an information guide only. These CAD drawings are intended as templates to assist the designer, they do not contain the full detail required for construction and must be read in conjunction with the installation instructions on [www.longboardproducts.com](http://www.longboardproducts.com). You should obtain architectural, engineering or other technical advice to assess the suitability of these drawings to the requirements of your particular project.

Mayne Coatings Corp. and Longboard products accepts no liability in respect to the use of these drawings.

For complete installation instructions refer to the appropriate documentation at [www.longboardsuppliers.com/installation](http://www.longboardsuppliers.com/installation)

## GIRT CONNECTOR

MATERIAL: GRADE 50 STEEL WITH GALVALUME COATING

WEIGHT: 0.395 LBS

SCALE: 1:1

