

TABLE OF CONTENTS

(Click on the drawing name below to be directed to the right section.)

[4" DAUNTLESS BEAM WITH HANGER CLIP ON SINGLE CARRIER RAIL - FRONT VIEW](#)

[4" DAUNTLESS BEAM WITH HANGER CLIP ON SINGLE CARRIER RAIL - SIDE VIEW](#)

[4" DAUNTLESS BEAM WITH HANGER CLIP ON DOUBLE CARRIER RAIL - SIDE VIEW](#)

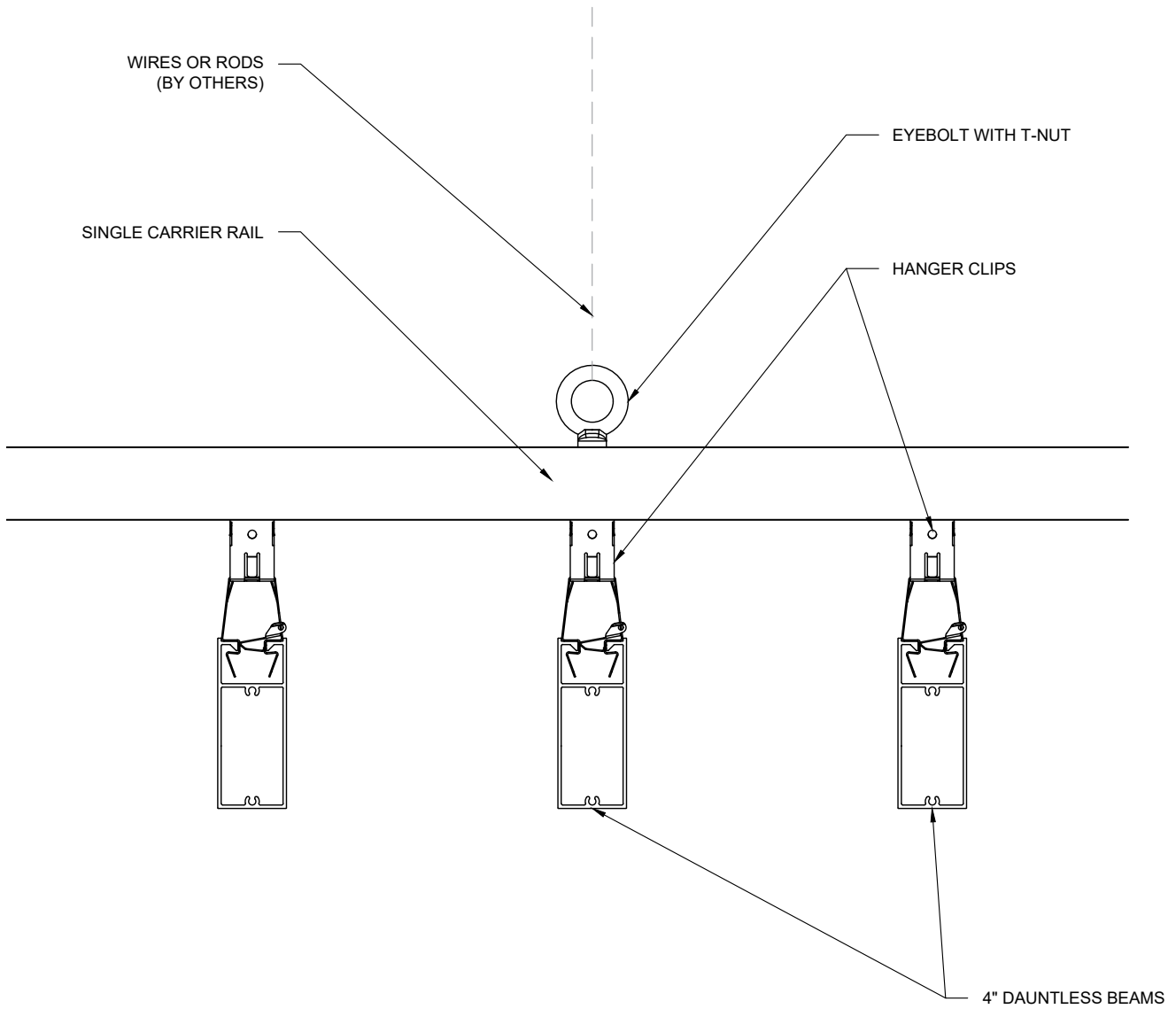
[6" DAUNTLESS BEAM WITH HANGER CLIP ON SINGLE CARRIER RAIL - FRONT VIEW](#)

[6" DAUNTLESS BEAM WITH HANGER CLIP ON SINGLE CARRIER RAIL - SIDE VIEW](#)

[6" DAUNTLESS BEAM WITH HANGER CLIP ON DOUBLE CARRIER RAIL - SIDE VIEW](#)

[4" DAUNTLESS BEAM WITH 2" HANGER BRACKET ON SIDE CARRIER RAIL - FRONT VIEW](#)

[4" DAUNTLESS BEAM WITH 2" HANGER BRACKET ON SIDE CARRIER RAIL - SIDE VIEW](#)

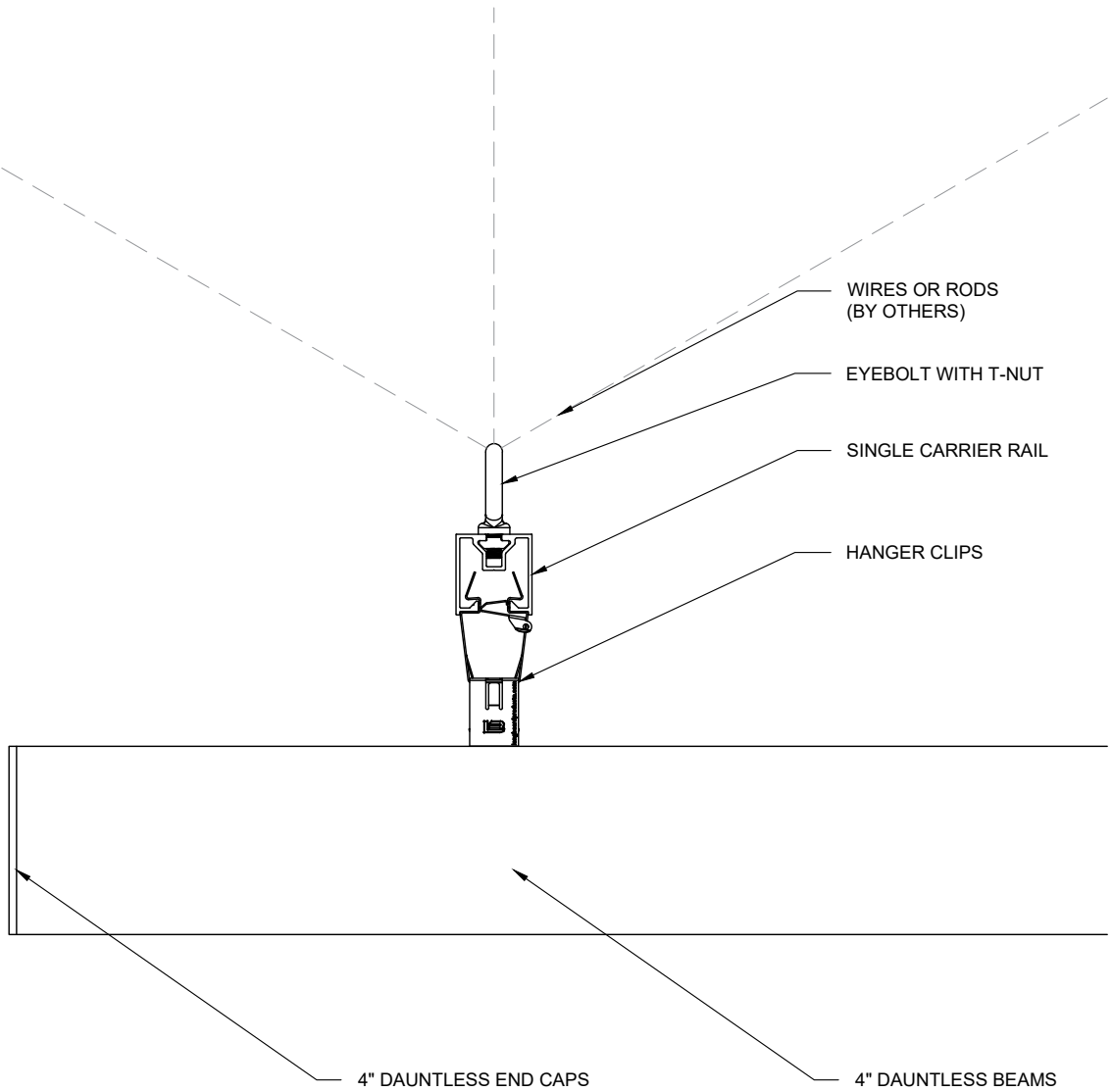


These drawings are published as an information guide only. These CAD drawings are intended as templates to assist the designer, they do not contain the full detail required for construction and must be read in conjunction with the installation instructions on www.longboardproducts.com. You should obtain architectural, engineering or other technical advice to assess the suitability of these drawings to the requirements of your particular project. Mayne Coatings Corp. and Longboard products accepts no liability in respect to the use of these drawings.

For complete installation instructions refer to the appropriate documentation at www.longboardsuppliers.com/installation

4" DAUNTLESS BEAMS WITH HANGER CLIP ON SINGLE CARRIER RAIL
- FRONT VIEW
 SCALE: 1:4



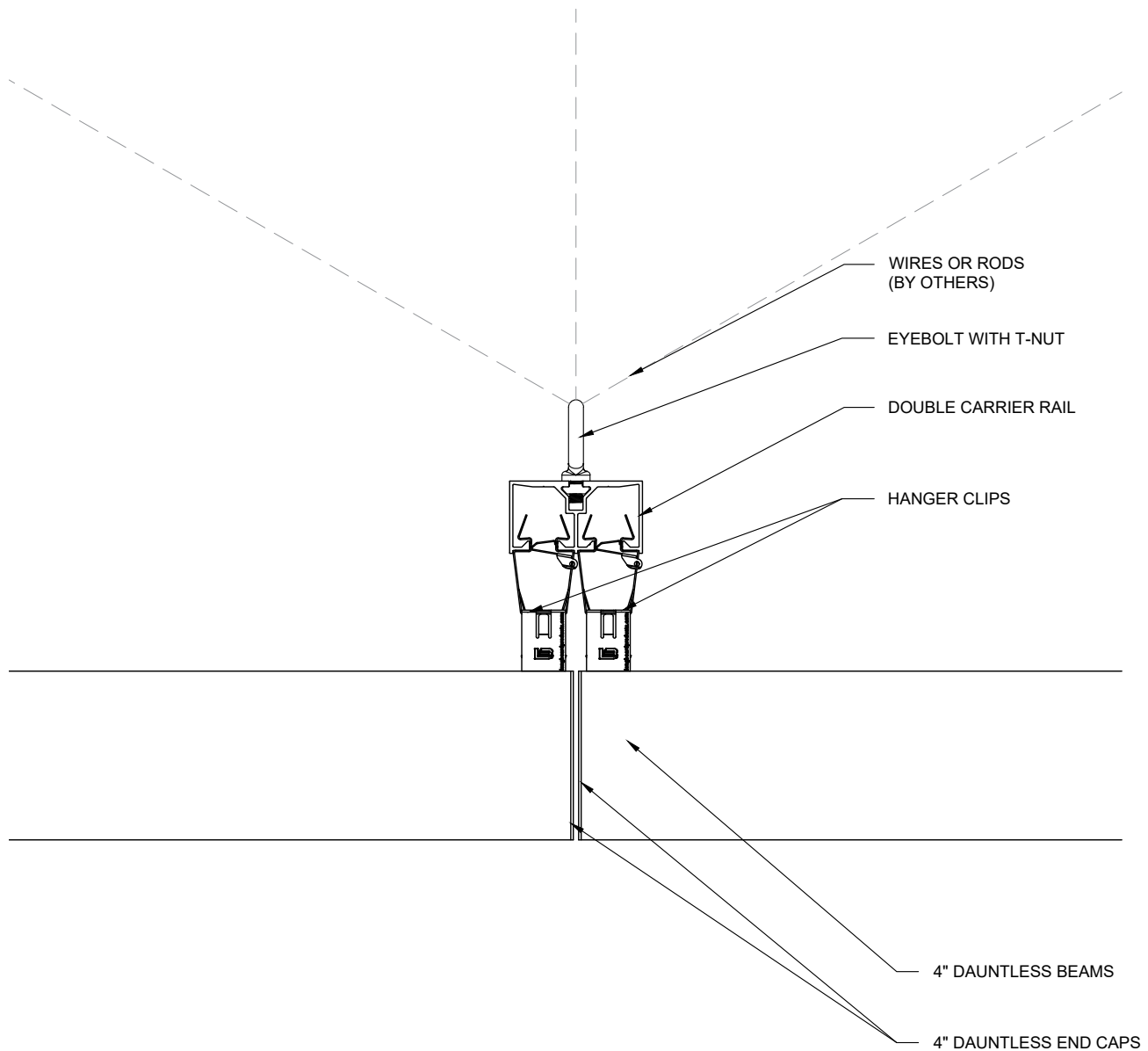


These drawings are published as an information guide only. These CAD drawings are intended as templates to assist the designer, they do not contain the full detail required for construction and must be read in conjunction with the installation instructions on www.longboardproducts.com. You should obtain architectural, engineering or other technical advice to assess the suitability of these drawings to the requirements of your particular project. Mayne Coatings Corp. and Longboard products accepts no liability in respect to the use of these drawings.

For complete installation instructions refer to the appropriate documentation at www.longboardsuppliers.com/installation

4" DAUNTLESS BEAMS WITH HANGER CLIP ON SINGLE CARRIER RAIL
 - SIDE VIEW
 SCALE: 1:4



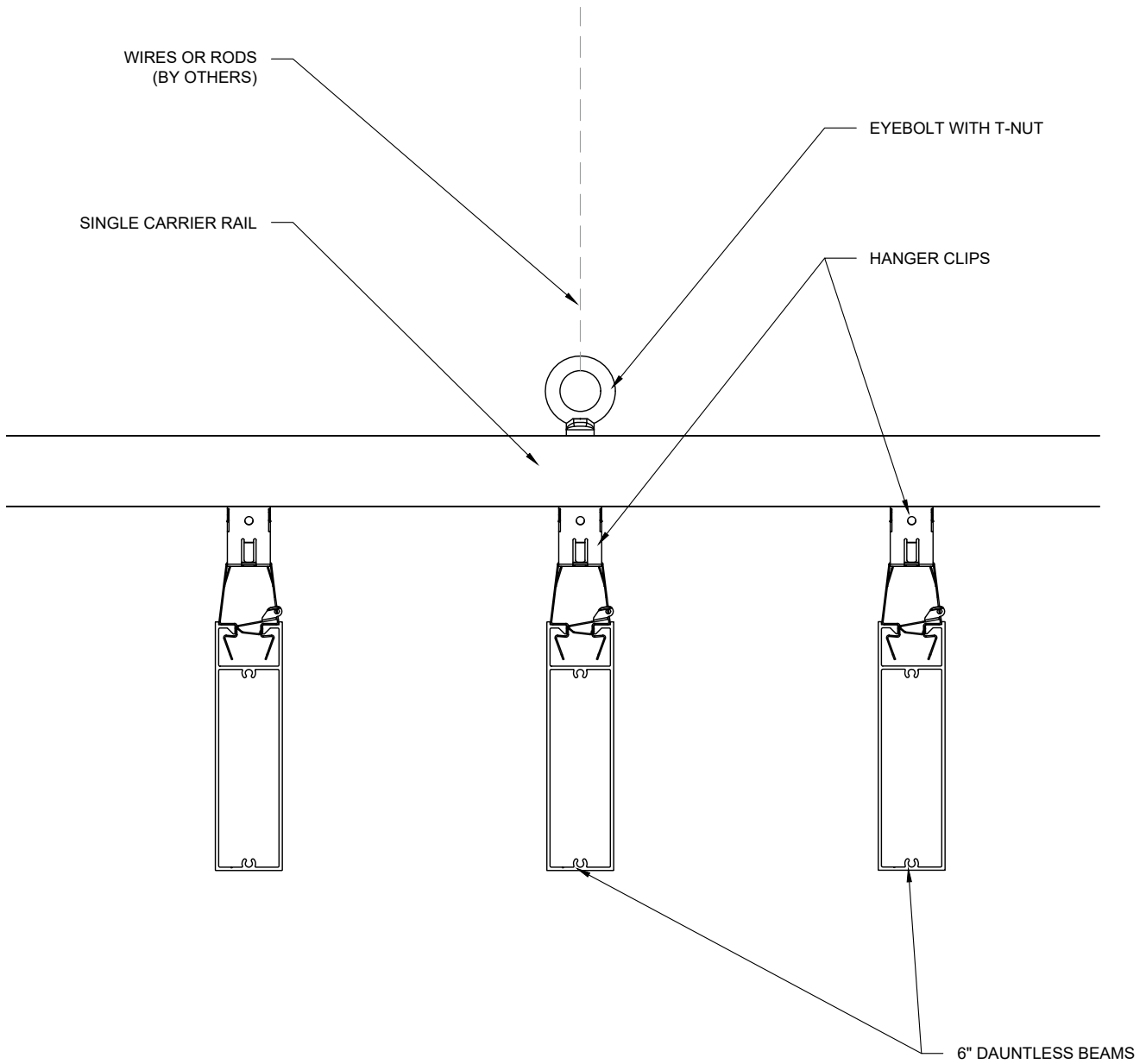


These drawings are published as an information guide only. These CAD drawings are intended as templates to assist the designer, they do not contain the full detail required for construction and must be read in conjunction with the installation instructions on www.longboardproducts.com. You should obtain architectural, engineering or other technical advice to assess the suitability of these drawings to the requirements of your particular project. Mayne Coatings Corp. and Longboard products accepts no liability in respect to the use of these drawings.

For complete installation instructions refer to the appropriate documentation at www.longboardsuppliers.com/installation

4" DAUNTLESS BEAMS WITH HANGER CLIP ON DOUBLE CARRIER RAIL
- SIDE VIEW
SCALE: 1:4



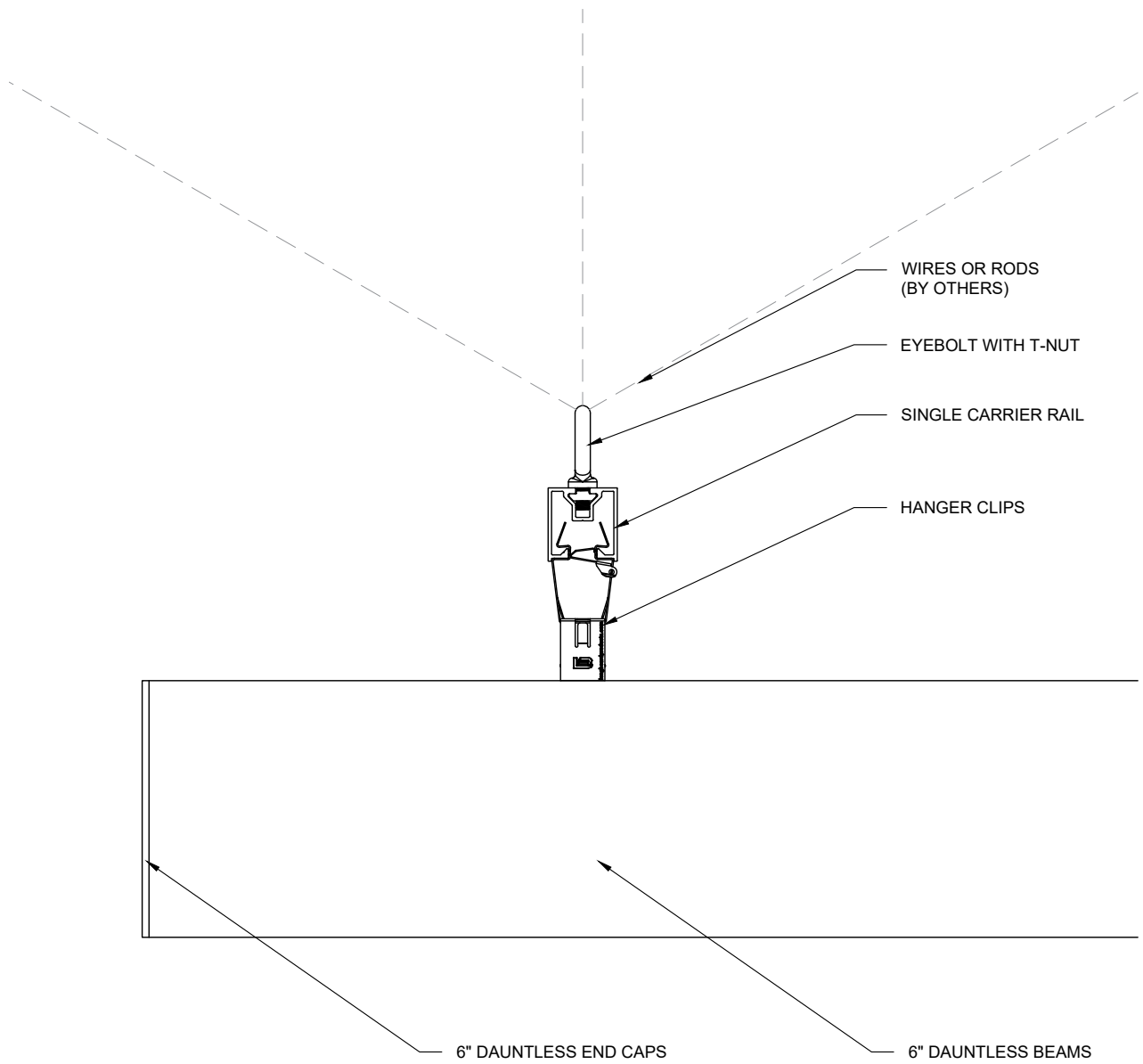


These drawings are published as an information guide only. These CAD drawings are intended as templates to assist the designer, they do not contain the full detail required for construction and must be read in conjunction with the installation instructions on www.longboardproducts.com. You should obtain architectural, engineering or other technical advice to assess the suitability of these drawings to the requirements of your particular project. Mayne Coatings Corp. and Longboard products accepts no liability in respect to the use of these drawings.

For complete installation instructions refer to the appropriate documentation at www.longboardsuppliers.com/installation

6" DAUNTLESS BEAMS WITH HANGER CLIP ON SINGLE CARRIER RAIL
- FRONT VIEW
 SCALE: 1:4



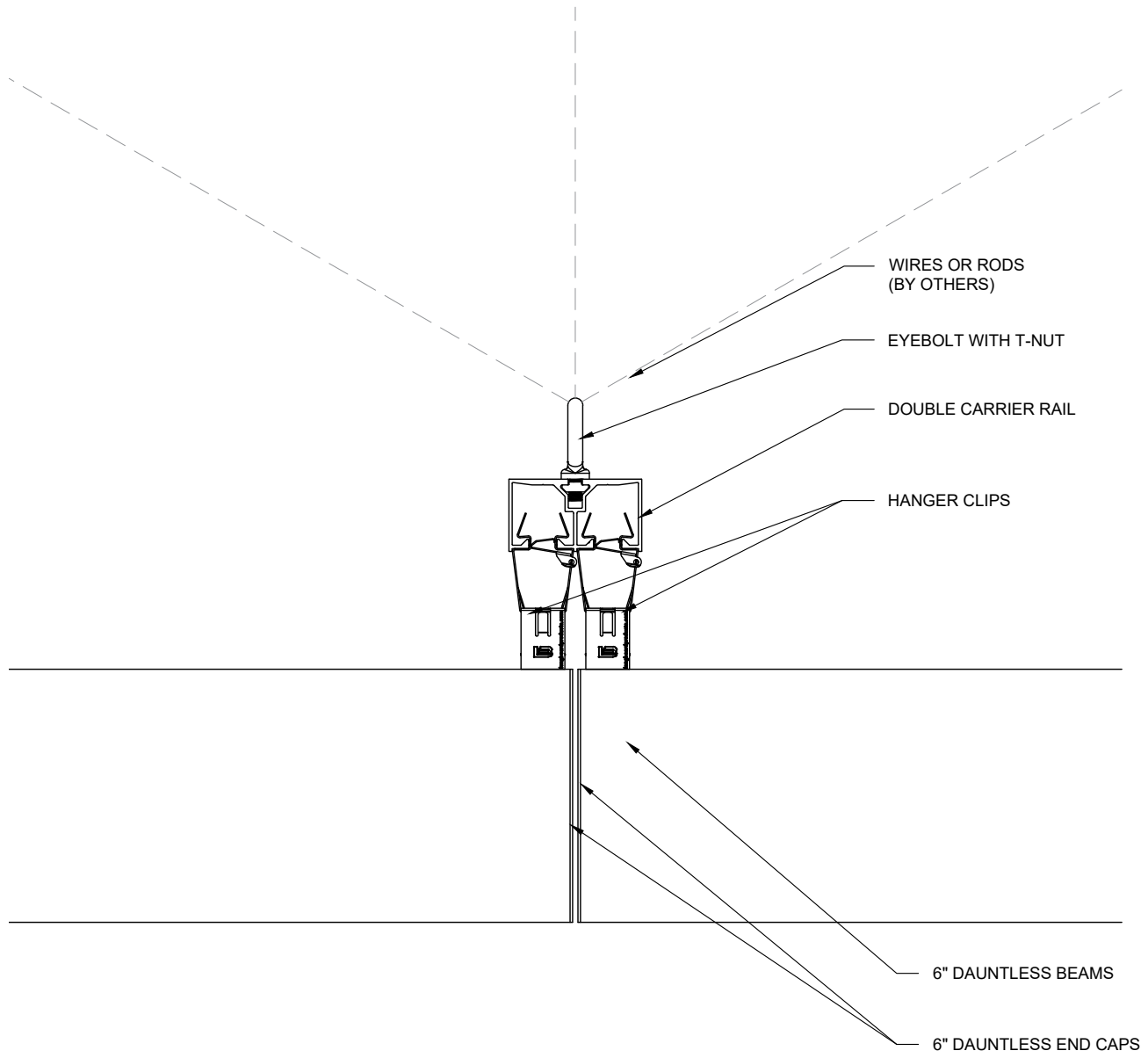


These drawings are published as an information guide only. These CAD drawings are intended as templates to assist the designer, they do not contain the full detail required for construction and must be read in conjunction with the installation instructions on www.longboardproducts.com. You should obtain architectural, engineering or other technical advice to assess the suitability of these drawings to the requirements of your particular project. Mayne Coatings Corp. and Longboard products accepts no liability in respect to the use of these drawings.

For complete installation instructions refer to the appropriate documentation at www.longboardsuppliers.com/installation

6" DAUNTLESS BEAMS WITH HANGER CLIP ON SINGLE CARRIER RAIL
 - SIDE VIEW
 SCALE: 1:4



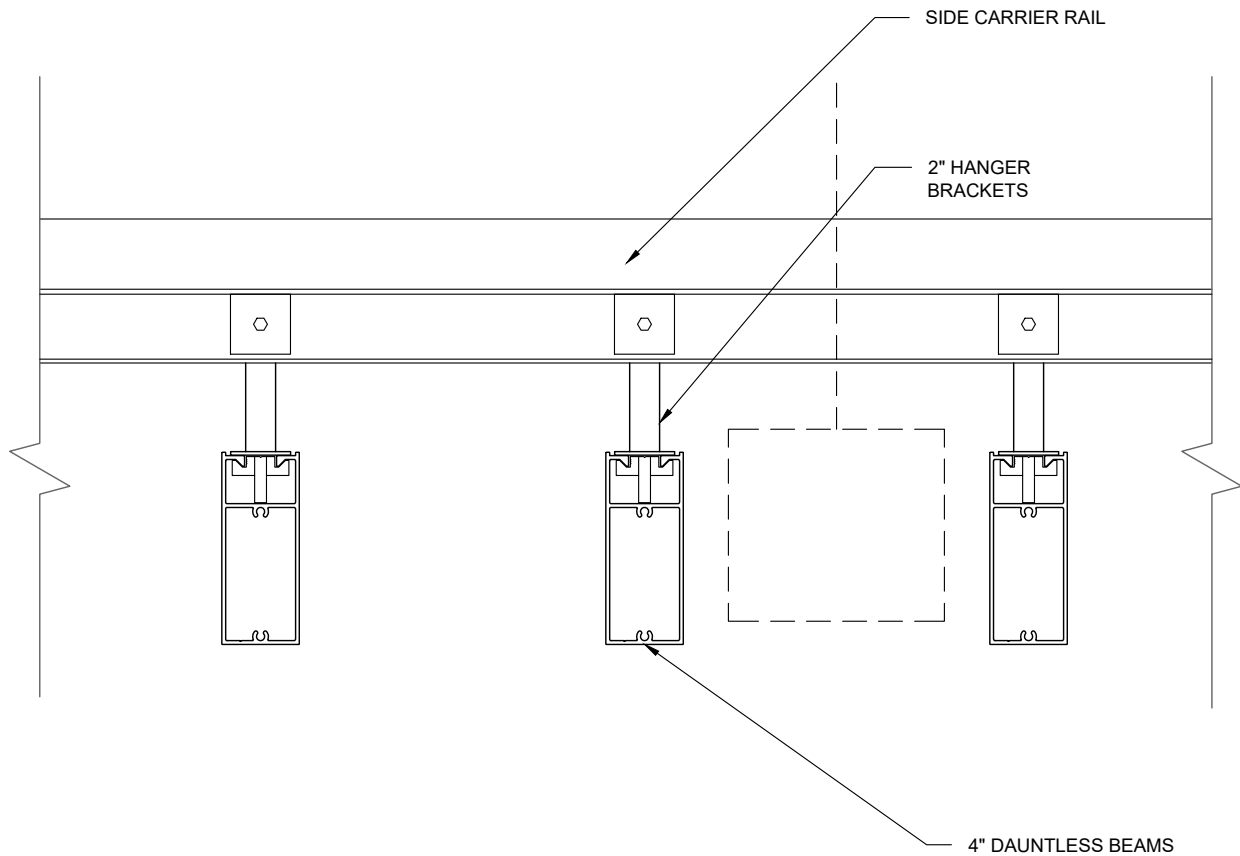


These drawings are published as an information guide only. These CAD drawings are intended as templates to assist the designer, they do not contain the full detail required for construction and must be read in conjunction with the installation instructions on www.longboardproducts.com. You should obtain architectural, engineering or other technical advice to assess the suitability of these drawings to the requirements of your particular project. Mayne Coatings Corp. and Longboard products accepts no liability in respect to the use of these drawings.

For complete installation instructions refer to the appropriate documentation at www.longboardsuppliers.com/installation

6" DAUNTLESS BEAMS WITH HANGER CLIP ON DOUBLE CARRIER RAIL
 - SIDE VIEW
 SCALE: 1:4



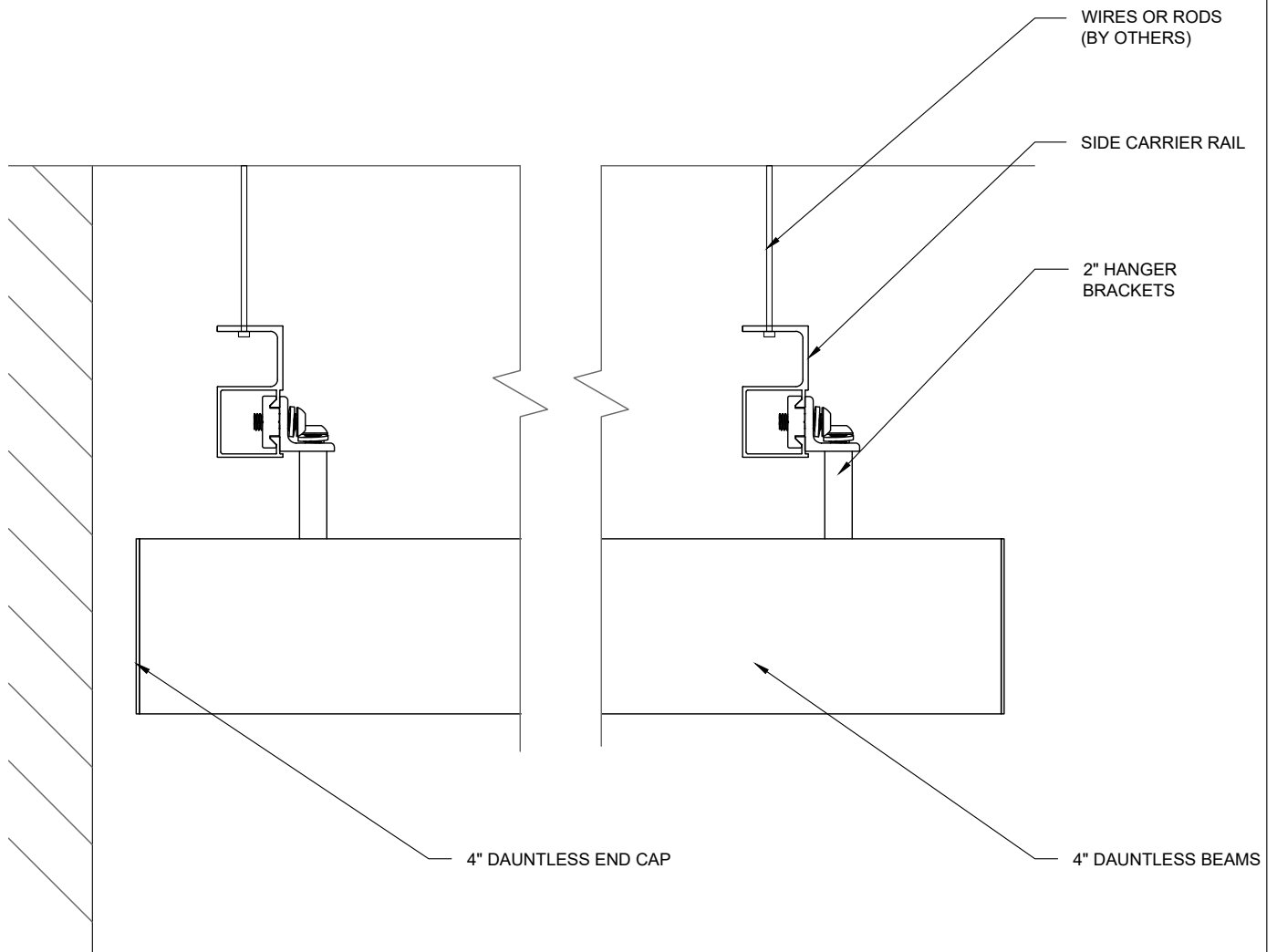


These drawings are published as an information guide only. These CAD drawings are intended as templates to assist the designer, they do not contain the full detail required for construction and must be read in conjunction with the installation instructions on www.longboardproducts.com. You should obtain architectural, engineering or other technical advice to assess the suitability of these drawings to the requirements of your particular project. Mayne Coatings Corp. and Longboard products accepts no liability in respect to the use of these drawings.

For complete installation instructions refer to the appropriate documentation at www.longboardsuppliers.com/installation

**4" DAUNTLESS BEAMS WITH 2" HANGER BRACKET ON SIDE CARRIER
RAIL - FRONT VIEW
SCALE: 1:4**





These drawings are published as an information guide only. These CAD drawings are intended as templates to assist the designer, they do not contain the full detail required for construction and must be read in conjunction with the installation instructions on www.longboardproducts.com. You should obtain architectural, engineering or other technical advice to assess the suitability of these drawings to the requirements of your particular project. Mayne Coatings Corp. and Longboard products accepts no liability in respect to the use of these drawings.

For complete installation instructions refer to the appropriate documentation at www.longboardsuppliers.com/installation

4" DAUNTLESS BEAMS WITH 2" HANGER BRACKET ON SIDE CARRIER RAIL - SIDE VIEW
 SCALE: 1:4

