

## TEXTURED WALLS TYPICAL DETAILS

### TABLE OF CONTENT

(Click on the drawing name below to be directed to the right profile)

[4" CASTELLATION PLANK @ START OF WALL DETAIL](#)

[4" CASTELLATION PLANK @ WALL TERMINATION DETAIL](#)

[4" CASTELLATION PLANK @ PARAPET DETAIL](#)

[4" CASTELLATION PLANK WITH LINK & LOCK @ PARAPET DETAIL](#)

[4" CASTELLATION PLANK @ BOTTOM OF WALL DETAIL](#)

[4" CASTELLATION PLANK WITH LINK & LOCK @ BOTTOM OF WALL](#)

[4" CASTELLATION PLANK TYPICAL OUTSIDE CORNER DETAIL](#)

[4" CASTELLATION PLANK WITH LINK & LOCK OUTSIDE CORNER DETAIL](#)

[4" CASTELLATION PLANK TYPICAL INSIDE CORNER DETAIL](#)

[4" CASTELLATION PLANK WITH LINK & LOCK INSIDE CORNER DETAIL](#)

[4" CASTELLATION PLANK TYPICAL NON 90 DEGREE OUTSIDE CORNER DETAIL](#)

[4" CASTELLATION PLANK WITH LINK & LOCK NON 90 DEGREE OUTSIDE CORNER DETAIL](#)

[4" CASTELLATION PLANK TYPICAL TRIMS @ WINDOW DETAIL](#)

[4" CASTELLATION PLANK WITH LINK & LOCK TYPICAL TRIMS @ WINDOW DETAIL](#)

[8" CASTELLATION PLANK @ START OF WALL DETAIL](#)

[8" CASTELLATION PLANK @ WALL TERMINATION DETAIL](#)

[8" CASTELLATION PLANK @ PARAPET DETAIL](#)

[8" CASTELLATION PLANK WITH LINK & LOCK @ PARAPET DETAIL](#)

[8" CASTELLATION PLANK @ BOTTOM OF WALL](#)

[8" CASTELLATION PLANK WITH LINK & LOCK @ BOTTOM OF WALL](#)

[8" CASTELLATION PLANK TYPICAL OUTSIDE CORNER DETAIL](#)

[8" CASTELLATION PLANK WITH LINK & LOCK OUTSIDE CORNER DETAIL](#)

[8" CASTELLATION PLANK TYPICAL INSIDE CORNER DETAIL](#)

[8" CASTELLATION PLANK WITH LINK & LOCK INSIDE CORNER DETAIL](#)

[8" CASTELLATION PLANK TYPICAL NON 90 DEGREE OUTSIDE CORNER DETAIL](#)

[8" CASTELLATION PLANK WITH LINK & LOCK NON 90 DEGREE OUTSIDE CORNER DETAIL](#)

[8" CASTELLATION PLANK TYPICAL TRIMS @ WINDOW DETAIL](#)

[8" CASTELLATION PLANK WITH LINK & LOCK TYPICAL TRIMS @ WINDOW DETAIL](#)

[6" SINGLE BEVEL @ START OF WALL DETAIL](#)

[6" SINGLE BEVEL @ WALL TERMINATION DETAIL](#)

[6" SINGLE BEVEL WITH TRADITIONAL CORNER SET \(2"\) OUTSIDE CORNER DETAIL](#)

[6" SINGLE BEVEL WITH 3" SMOOTH CORNER PLANK OUTSIDE CORNER DETAIL](#)

[6" SINGLE BEVEL WITH TRADITIONAL CORNER SET \(2"\) INSIDE CORNER DETAIL](#)

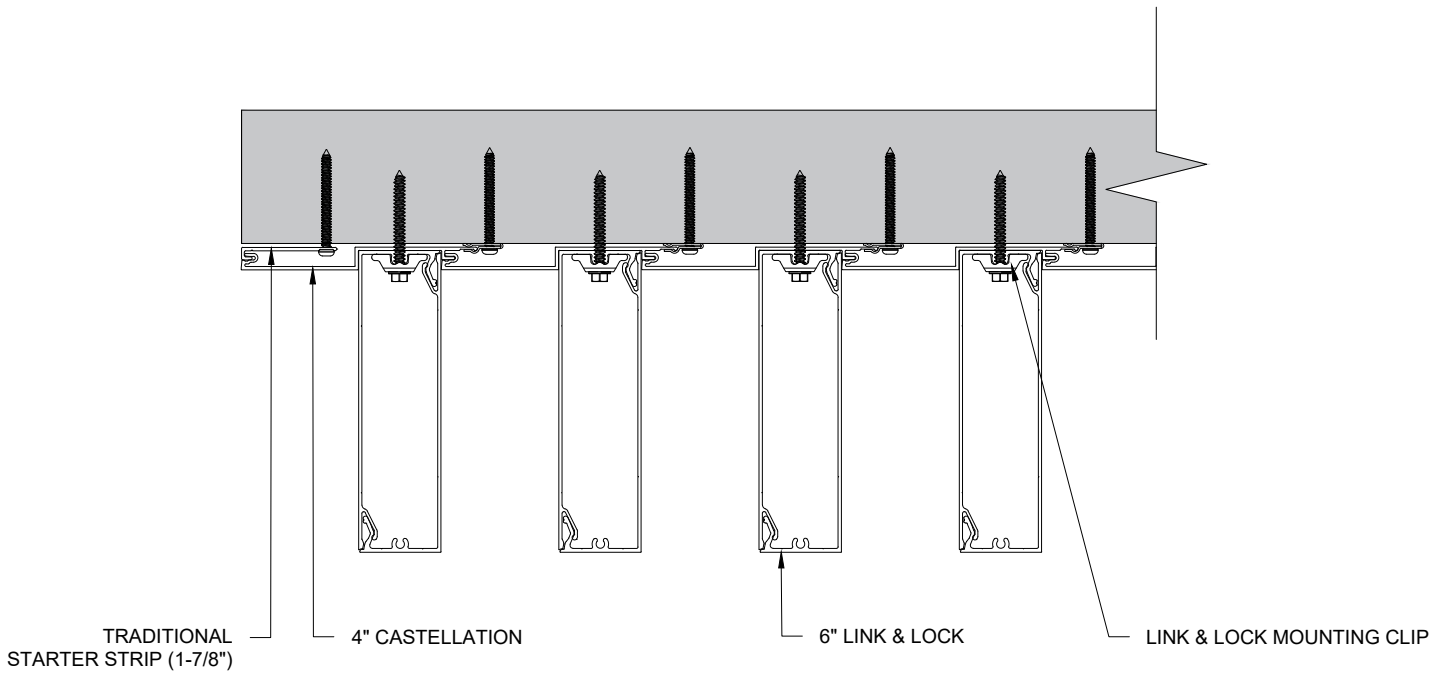
[6" TRIPLE BEVEL @ START OF WALL DETAIL](#)

[6" TRIPLE BEVEL @ WALL TERMINATION DETAIL](#)

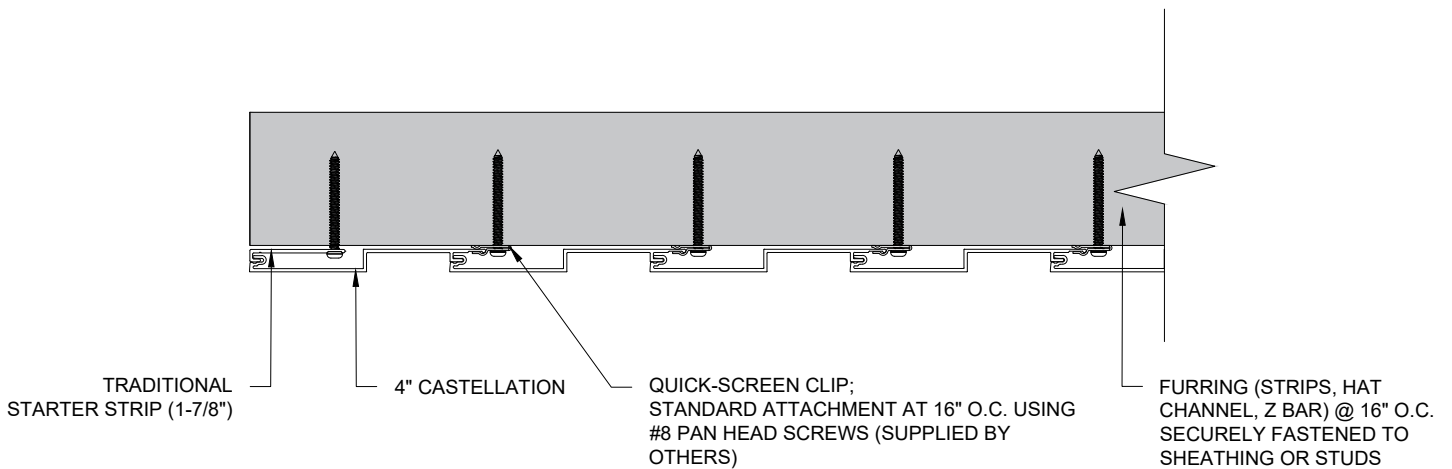
[6" TRIPLE BEVEL WITH TRADITIONAL CORNER SET \(2"\) OUTSIDE CORNER DETAIL](#)

[6" TRIPLE BEVEL WITH 3" SMOOTH CORNER PLANK OUTSIDE CORNER DETAIL](#)

[6" TRIPLE BEVEL WITH TRADITIONAL CORNER SET \(2"\) INSIDE CORNER DETAIL](#)



2 **4" CASTELLATION WITH LINK & LOCK**  
SCALE: 1:4



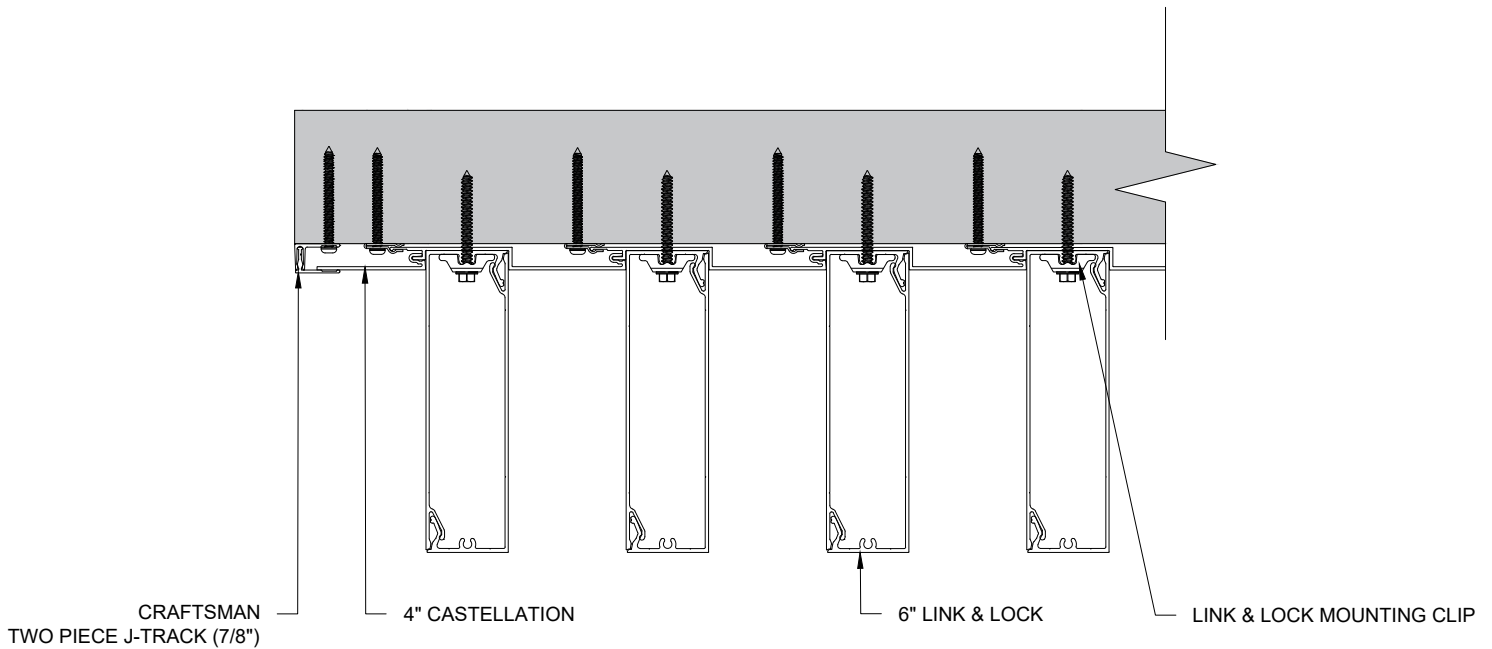
1 **4" CASTELLATION**  
SCALE: 1:4

These drawings are published as an information guide only. These CAD drawings are intended as templates to assist the designer, they do not contain the full detail required for construction and must be read in conjunction with the installation instructions on [www.longboardproducts.com](http://www.longboardproducts.com). You should obtain architectural, engineering or other technical advice to assess the suitability of these drawings to the requirements of your particular project. Mayne Coatings Corp. and Longboard products accepts no liability in respect to the use of these drawings. For complete installation instructions refer to the appropriate documentation here [www.longboardproducts.com/resources/technical-documentation/installation-guides](http://www.longboardproducts.com/resources/technical-documentation/installation-guides)

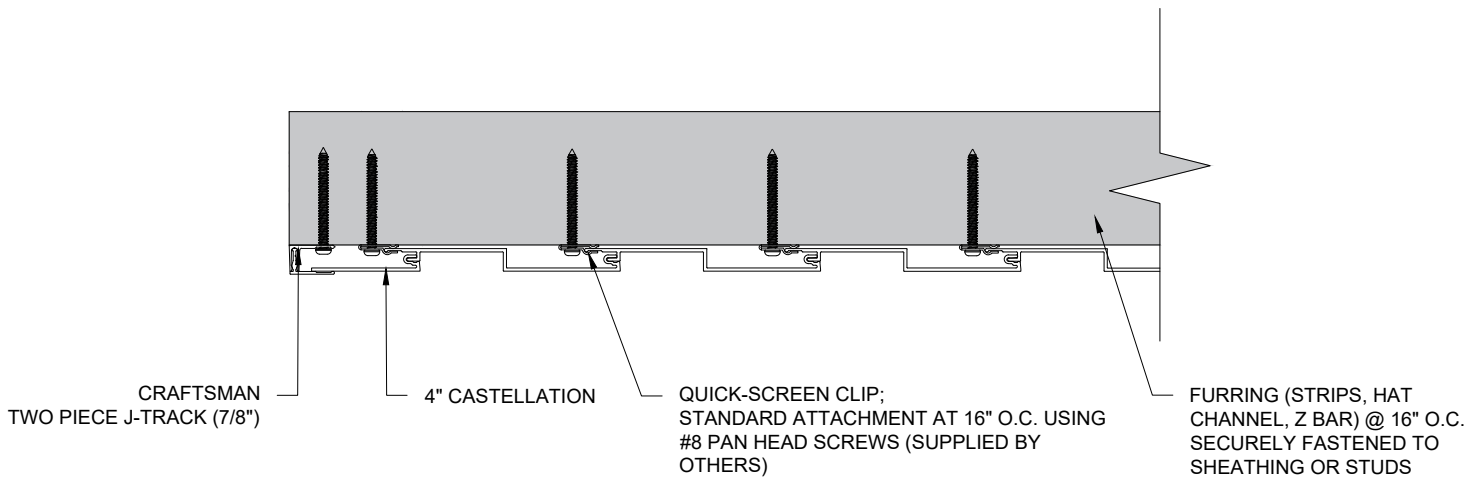
**4" CASTELLATION @  
START OF WALL DETAIL**

SCALE: 1:4





2 **4" CASTELLATION WITH LINK & LOCK**  
SCALE: 1:4



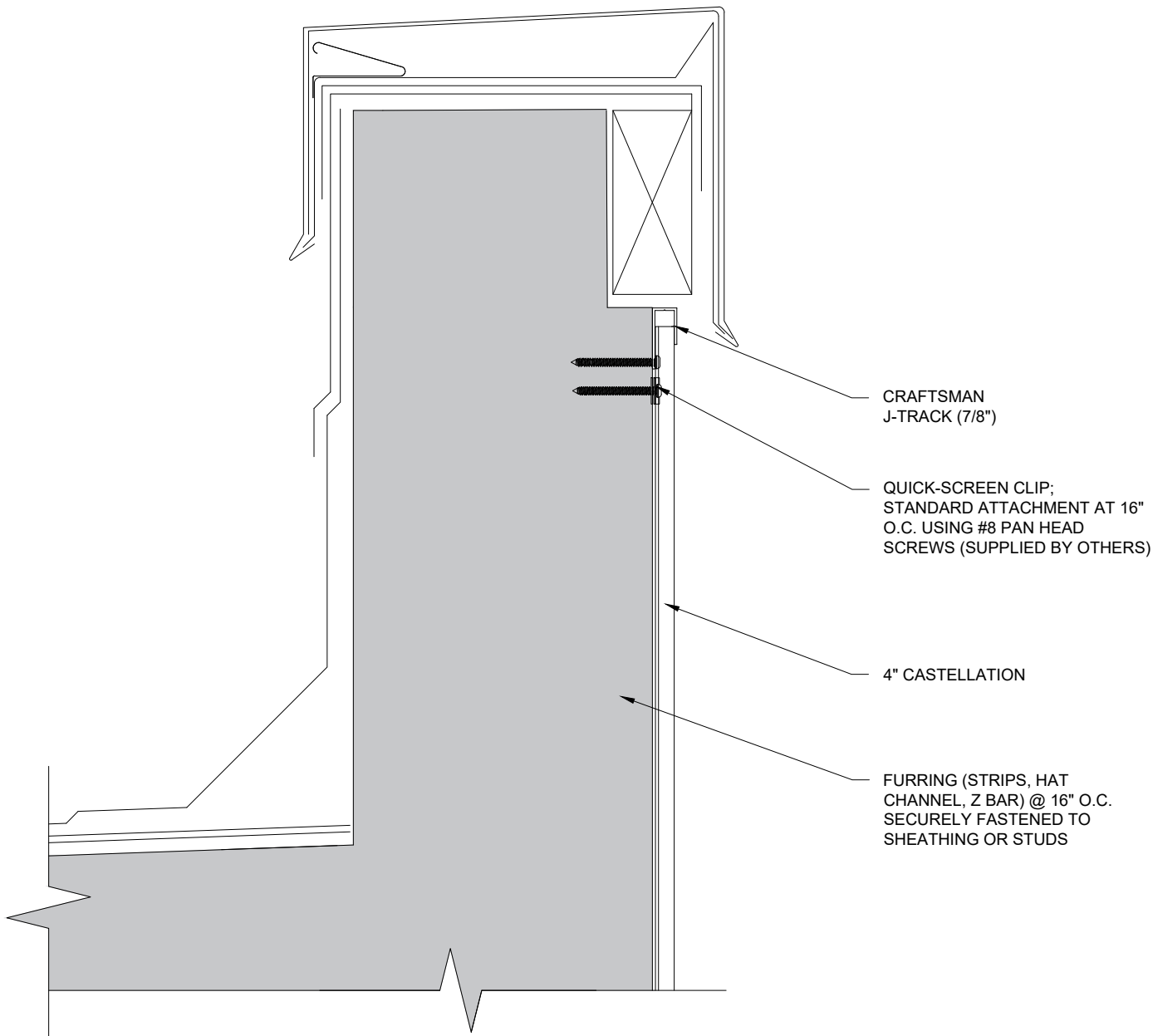
1 **4" CASTELLATION**  
SCALE: 1:4

These drawings are published as an information guide only. These CAD drawings are intended as templates to assist the designer, they do not contain the full detail required for construction and must be read in conjunction with the installation instructions on [www.longboardproducts.com](http://www.longboardproducts.com). You should obtain architectural, engineering or other technical advice to assess the suitability of these drawings to the requirements of your particular project. Mayne Coatings Corp. and Longboard products accepts no liability in respect to the use of these drawings. For complete installation instructions refer to the appropriate documentation here [www.longboardproducts.com/resources/technical-documentation/installation-guides](http://www.longboardproducts.com/resources/technical-documentation/installation-guides)

**4" CASTELLATION  
@ WALL TERMINATION DETAIL**

SCALE:1:4



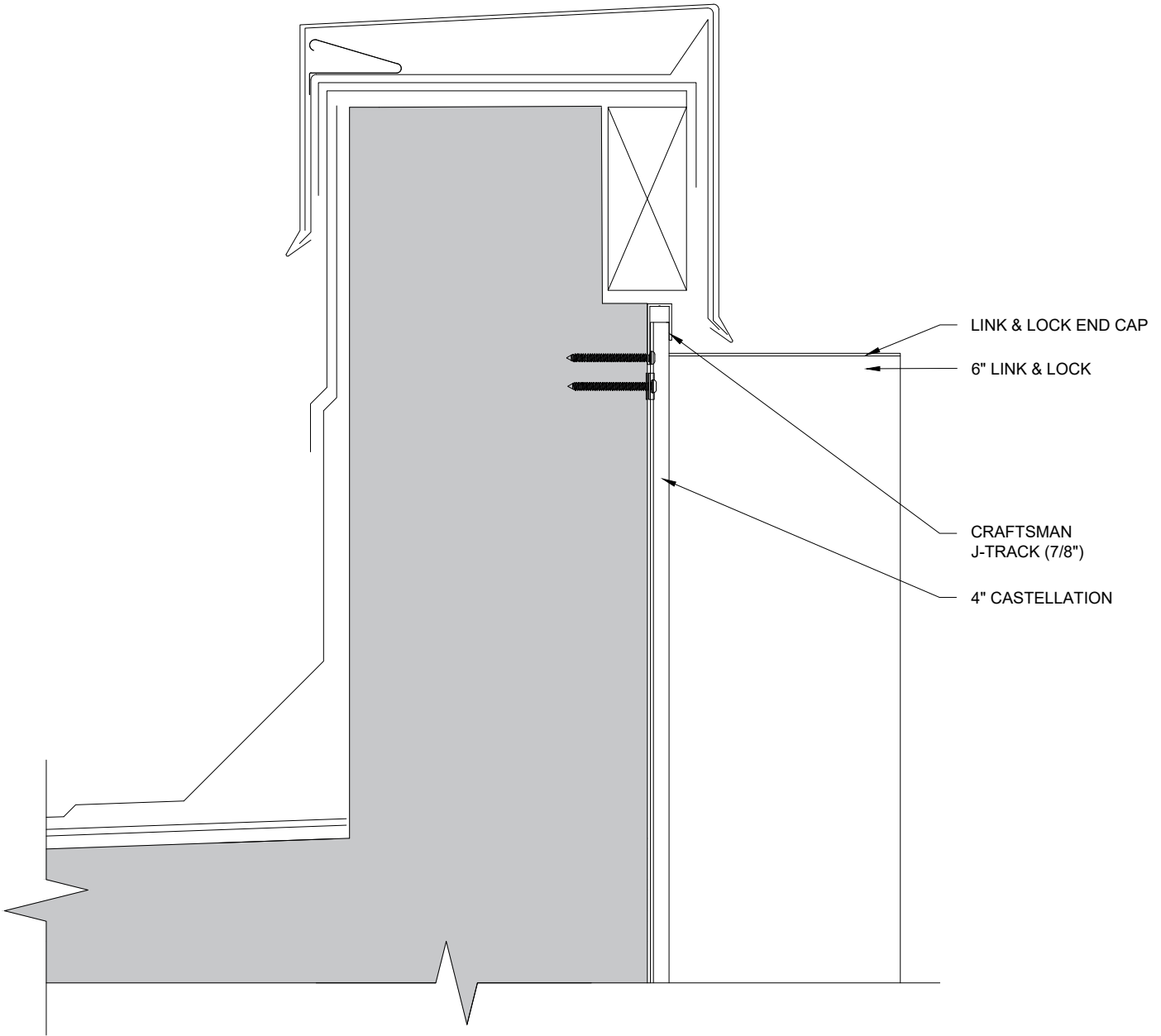


These drawings are published as an information guide only. These CAD drawings are intended as templates to assist the designer, they do not contain the full detail required for construction and must be read in conjunction with the installation instructions on [www.longboardproducts.com](http://www.longboardproducts.com). You should obtain architectural, engineering or other technical advice to assess the suitability of these drawings to the requirements of your particular project. Mayne Coatings Corp. and Longboard products accepts no liability in respect to the use of these drawings. For complete installation instructions refer to the appropriate documentation here [www.longboardproducts.com/resources/technical-documentation/installation-guides](http://www.longboardproducts.com/resources/technical-documentation/installation-guides)

### 4" CASTELLATION @ PARAPET DETAIL

SCALE: 1:4



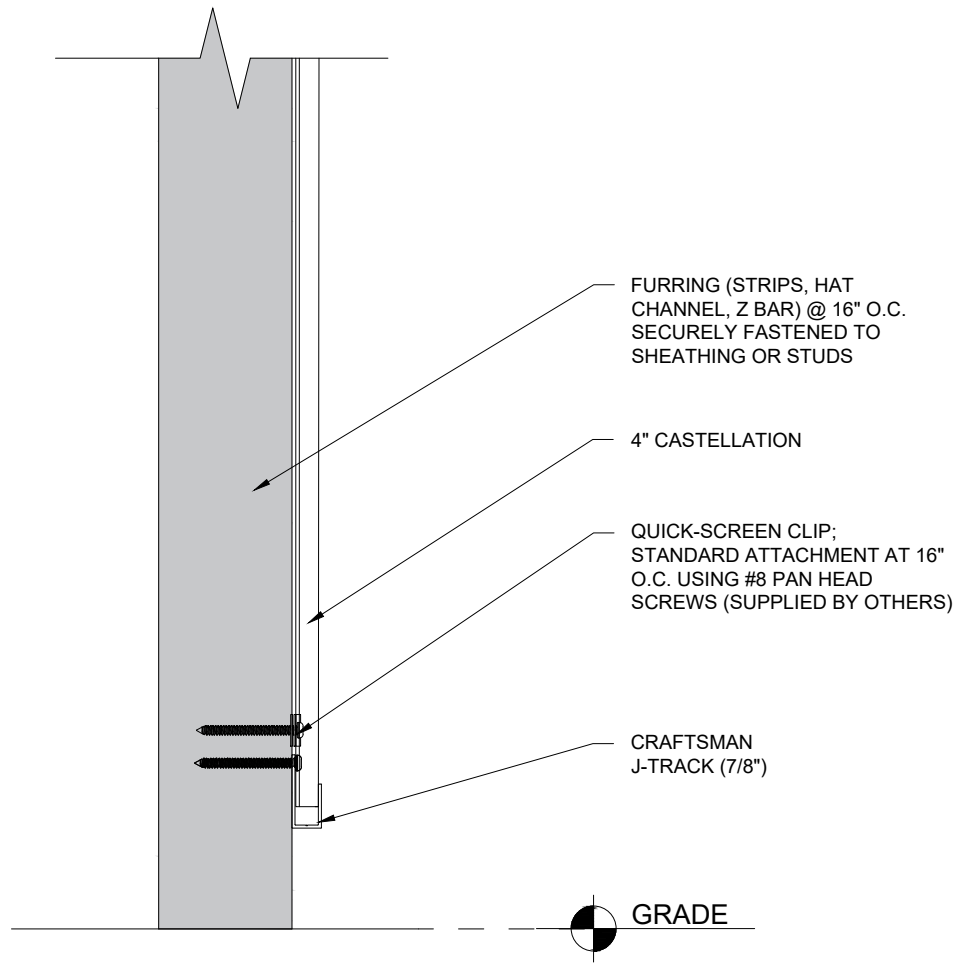


These drawings are published as an information guide only. These CAD drawings are intended as templates to assist the designer, they do not contain the full detail required for construction and must be read in conjunction with the installation instructions on [www.longboardproducts.com](http://www.longboardproducts.com). You should obtain architectural, engineering or other technical advice to assess the suitability of these drawings to the requirements of your particular project. Mayne Coatings Corp. and Longboard products accepts no liability in respect to the use of these drawings. For complete installation instructions refer to the appropriate documentation here [www.longboardproducts.com/resources/technical-documentation/installation-guides](http://www.longboardproducts.com/resources/technical-documentation/installation-guides)

## 4" CASTELLATION WITH LINK & LOCK @ PARAPET DETAIL

SCALE: 1:4





These drawings are published as an information guide only. These CAD drawings are intended as templates to assist the designer, they do not contain the full detail required for construction and must be read in conjunction with the installation instructions on [www.longboardproducts.com](http://www.longboardproducts.com). You should obtain architectural, engineering or other technical advice to assess the suitability of these drawings to the requirements of your particular project.

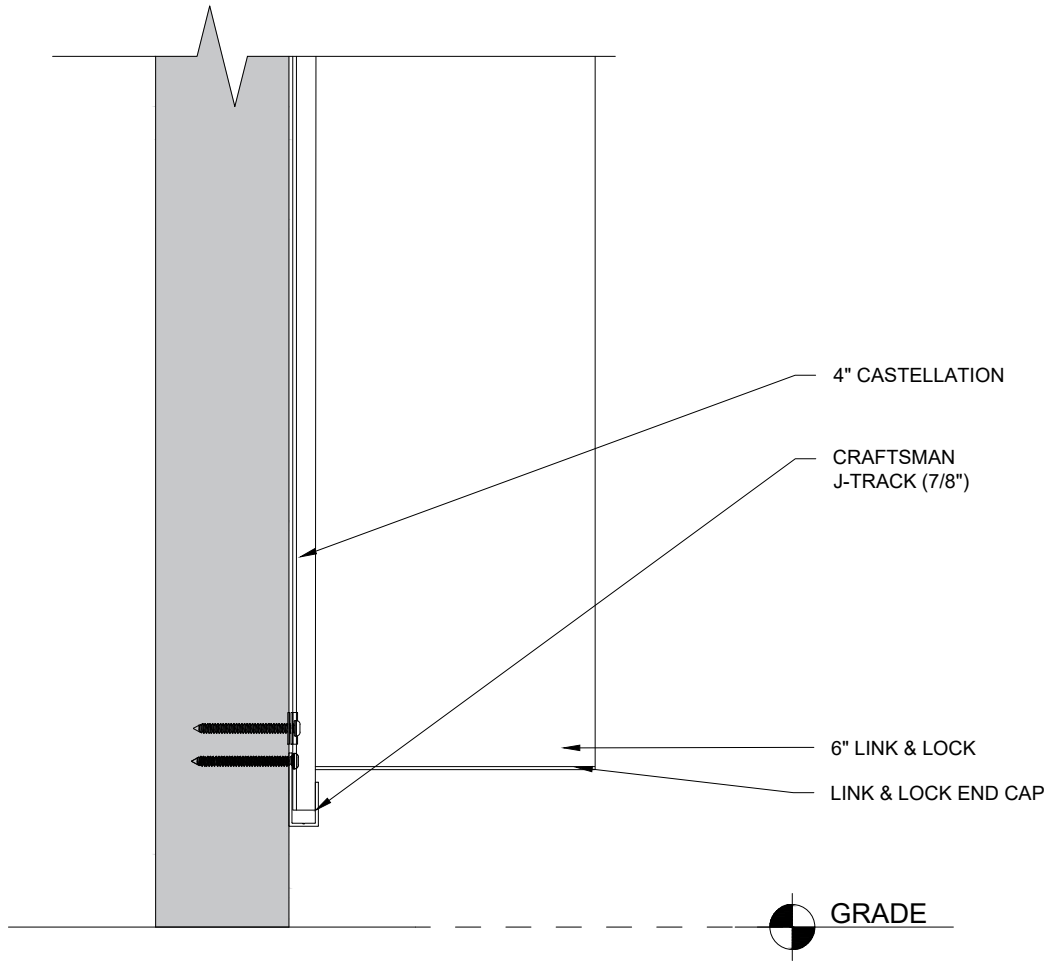
Mayne Coatings Corp. and Longboard products accepts no liability in respect to the use of these drawings.

For complete installation instructions refer to the appropriate documentation here [www.longboardproducts.com/resources/technical-documentation/installation-guides](http://www.longboardproducts.com/resources/technical-documentation/installation-guides)

## 4" CASTELLATION @ BOTTOM OF WALL DETAIL

SCALE: 1:4



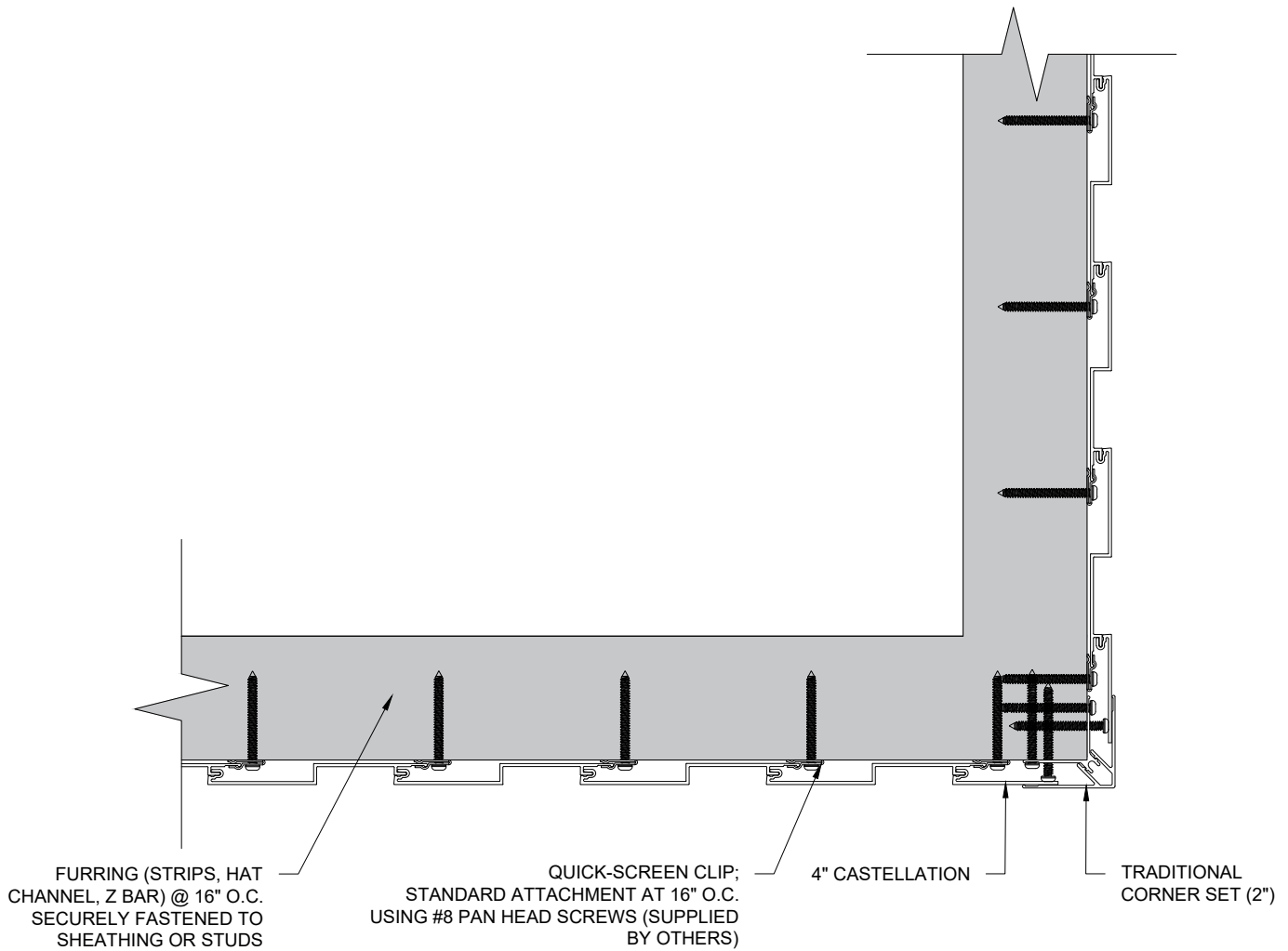


These drawings are published as an information guide only. These CAD drawings are intended as templates to assist the designer, they do not contain the full detail required for construction and must be read in conjunction with the installation instructions on [www.longboardproducts.com](http://www.longboardproducts.com). You should obtain architectural, engineering or other technical advice to assess the suitability of these drawings to the requirements of your particular project. Mayne Coatings Corp. and Longboard products accepts no liability in respect to the use of these drawings. For complete installation instructions refer to the appropriate documentation here [www.longboardproducts.com/resources/technical-documentation/installation-guides](http://www.longboardproducts.com/resources/technical-documentation/installation-guides)

## 4" CASTELLATION WITH LINK & LOCK @ BOTTOM OF WALL DETAIL

SCALE: 1:4





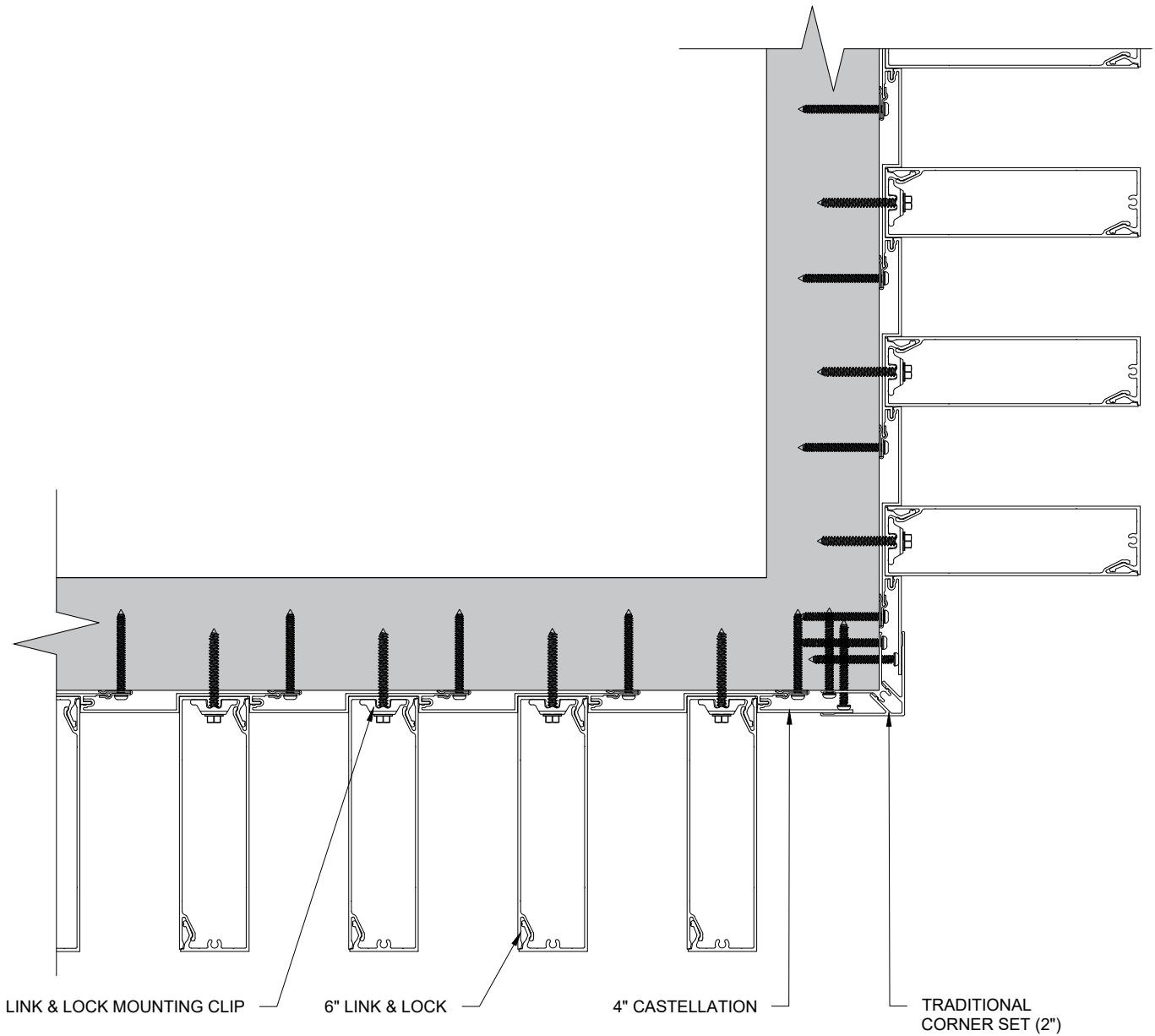
These drawings are published as an information guide only. These CAD drawings are intended as templates to assist the designer, they do not contain the full detail required for construction and must be read in conjunction with the installation instructions on [www.longboardproducts.com](http://www.longboardproducts.com). You should obtain architectural, engineering or other technical advice to assess the suitability of these drawings to the requirements of your particular project. Mayne Coatings Corp. and Longboard products accepts no liability in respect to the use of these drawings. For complete installation instructions refer to the appropriate documentation here [www.longboardproducts.com/resources/technical-documentation/installation-guides](http://www.longboardproducts.com/resources/technical-documentation/installation-guides)

## 4" CASTELLATION TYPICAL OUTSIDE CORNER DETAIL

SCALE:1:4





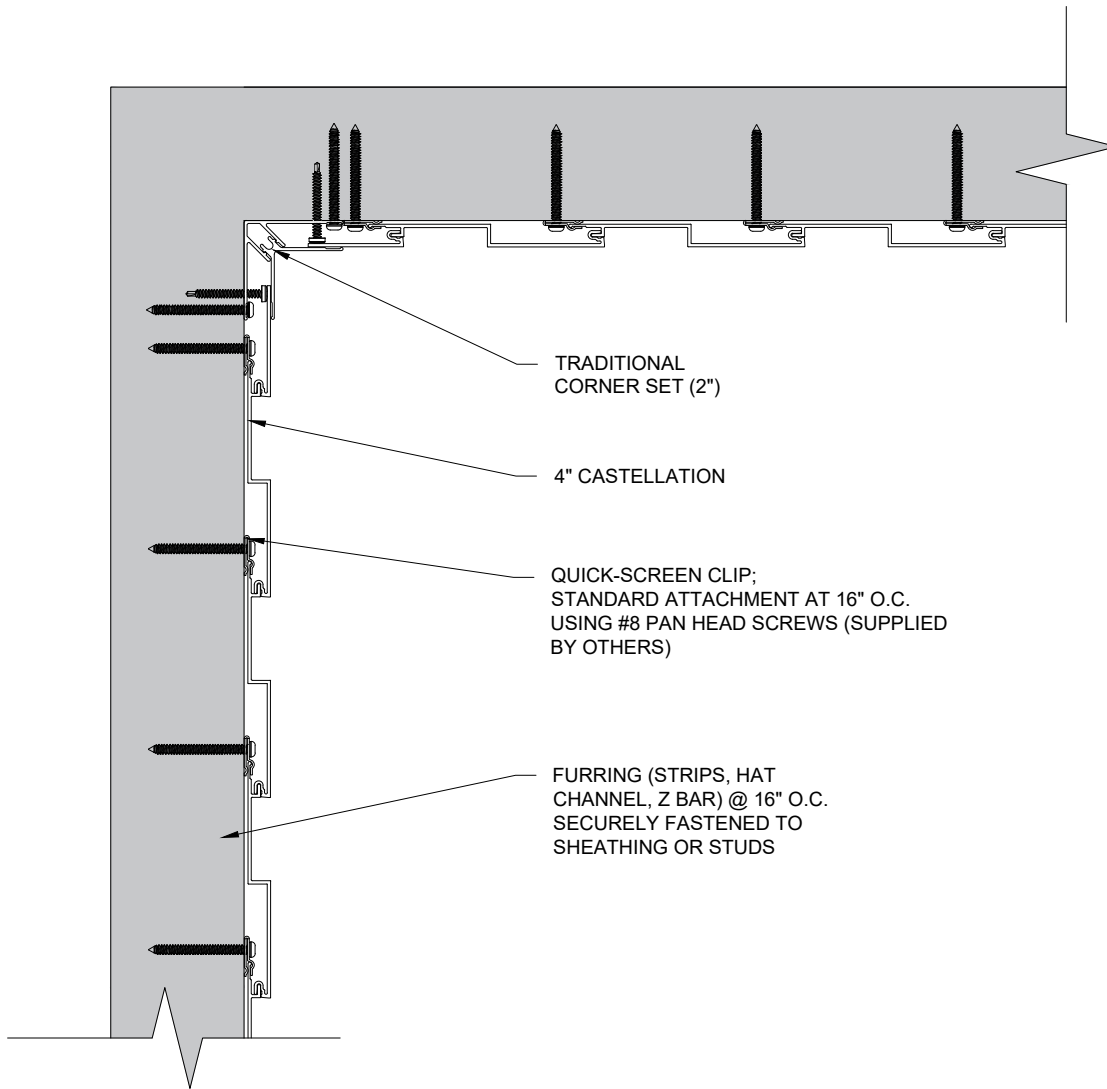


## 4" CASTELLATION WITH LINK & LOCK OUTSIDE CORNER DETAIL

SCALE:1:4



These drawings are published as an information guide only. These CAD drawings are intended as templates to assist the designer, they do not contain the full detail required for construction and must be read in conjunction with the installation instructions on [www.longboardproducts.com](http://www.longboardproducts.com). You should obtain architectural, engineering or other technical advice to assess the suitability of these drawings to the requirements of your particular project. Mayne Coatings Corp. and Longboard products accepts no liability in respect to the use of these drawings. For complete installation instructions refer to the appropriate documentation here [www.longboardproducts.com/resources/technical-documentation/installation-guides](http://www.longboardproducts.com/resources/technical-documentation/installation-guides)

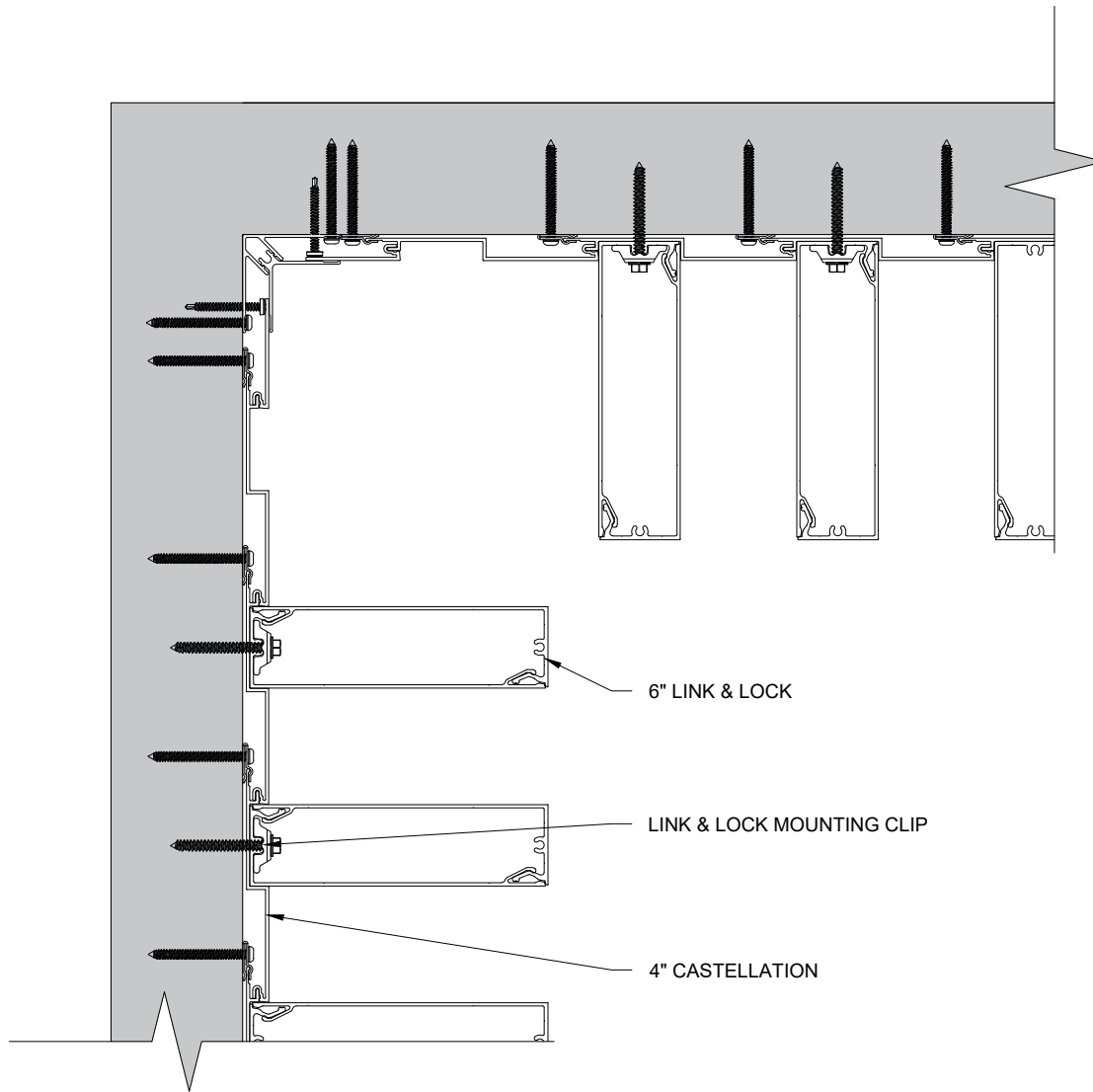


## 4" CASTELLATION TYPICAL INSIDE CORNER DETAIL

SCALE: 1:4



These drawings are published as an information guide only. These CAD drawings are intended as templates to assist the designer, they do not contain the full detail required for construction and must be read in conjunction with the installation instructions on [www.longboardproducts.com](http://www.longboardproducts.com). You should obtain architectural, engineering or other technical advice to assess the suitability of these drawings to the requirements of your particular project.  
 Mayne Coatings Corp. and Longboard products accepts no liability in respect to the use of these drawings.  
 For complete installation instructions refer to the appropriate documentation here [www.longboardproducts.com/resources/technical-documentation/installation-guides](http://www.longboardproducts.com/resources/technical-documentation/installation-guides)

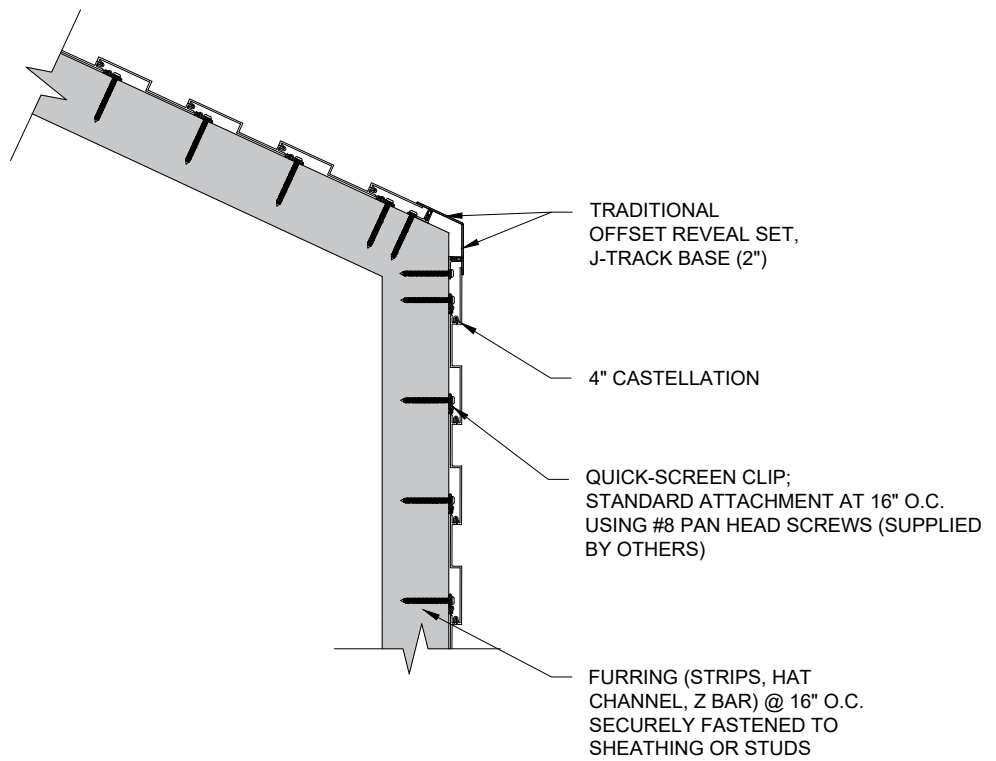
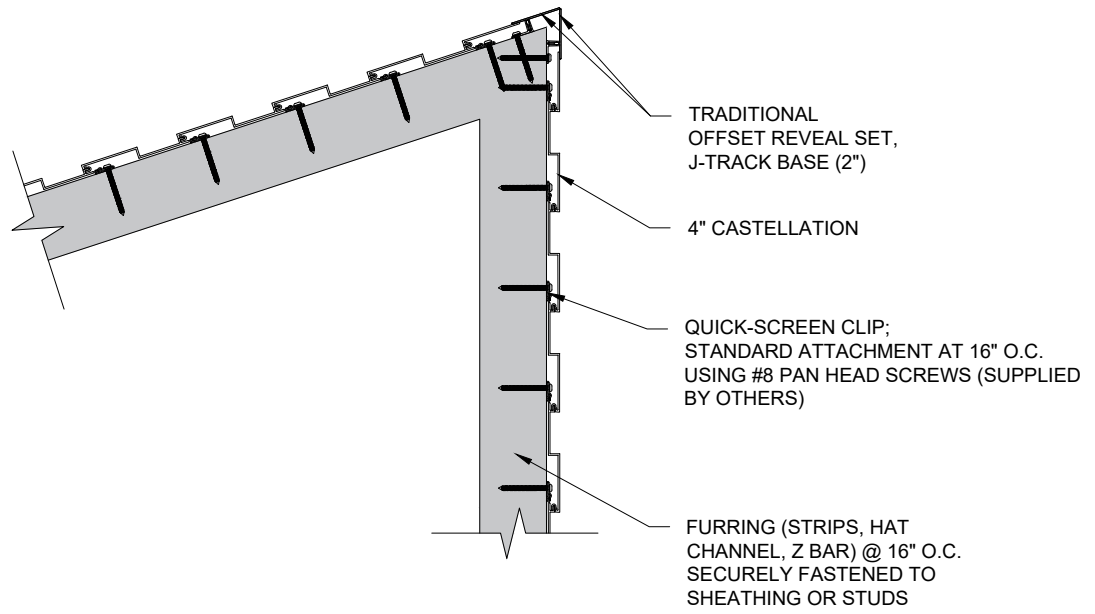


## 4" CASTELLATION WITH LINK & LOCK INSIDE CORNER DETAIL

SCALE: 1:4

These drawings are published as an information guide only. These CAD drawings are intended as templates to assist the designer, they do not contain the full detail required for construction and must be read in conjunction with the installation instructions on [www.longboardproducts.com](http://www.longboardproducts.com). You should obtain architectural, engineering or other technical advice to assess the suitability of these drawings to the requirements of your particular project.  
Mayne Coatings Corp. and Longboard products accepts no liability in respect to the use of these drawings.  
For complete installation instructions refer to the appropriate documentation here [www.longboardproducts.com/resources/technical-documentation/installation-guides](http://www.longboardproducts.com/resources/technical-documentation/installation-guides)



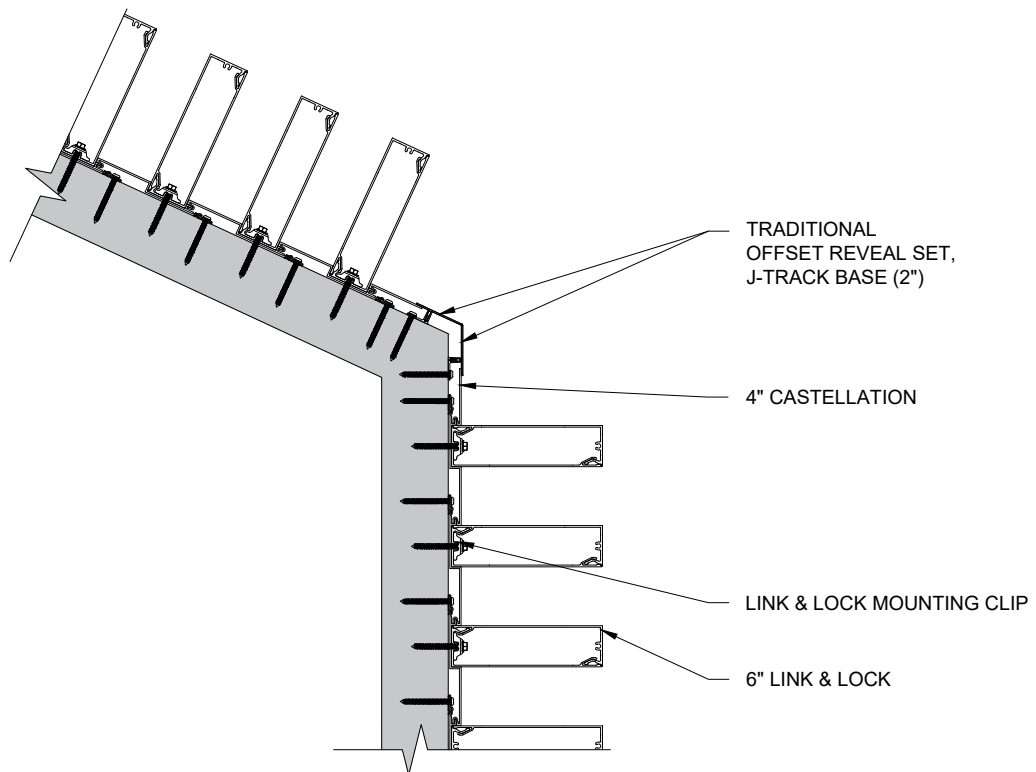
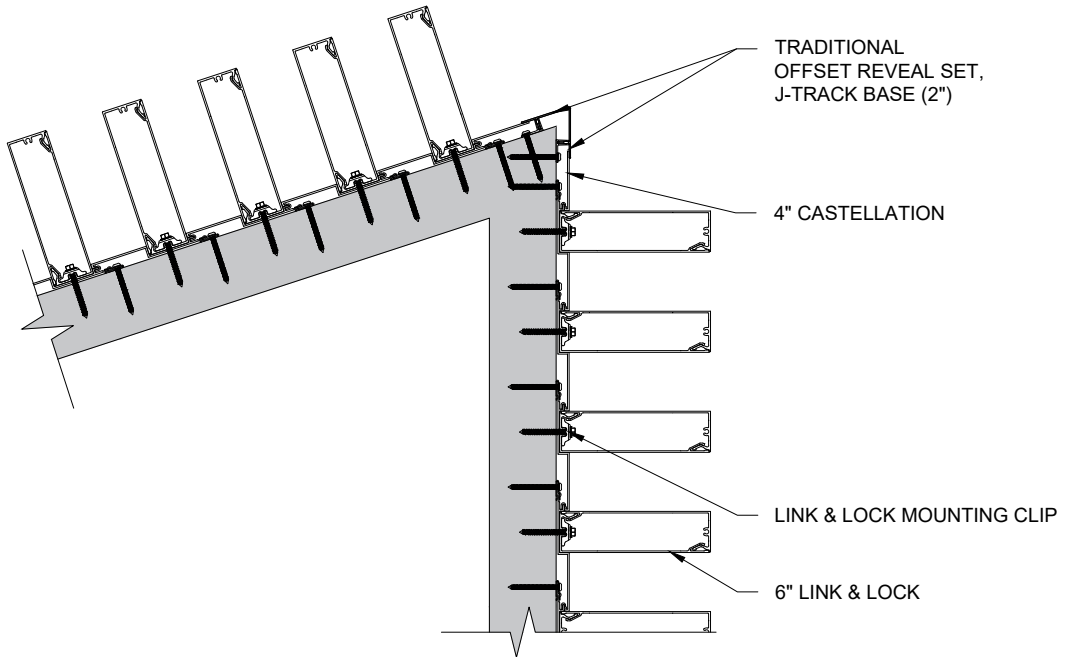


**4" CASTELLATION TYPICAL NON  
90 DEGREE OUTSIDE CORNER DETAIL**

SCALE:1:8



These drawings are published as an information guide only. These CAD drawings are intended as templates to assist the designer, they do not contain the full detail required for construction and must be read in conjunction with the installation instructions on [www.longboardproducts.com](http://www.longboardproducts.com). You should obtain architectural, engineering or other technical advice to assess the suitability of these drawings to the requirements of your particular project. Mayne Coatings Corp. and Longboard products accepts no liability in respect to the use of these drawings. For complete installation instructions refer to the appropriate documentation here [www.longboardproducts.com/resources/technical-documentation/installation-guides](http://www.longboardproducts.com/resources/technical-documentation/installation-guides)

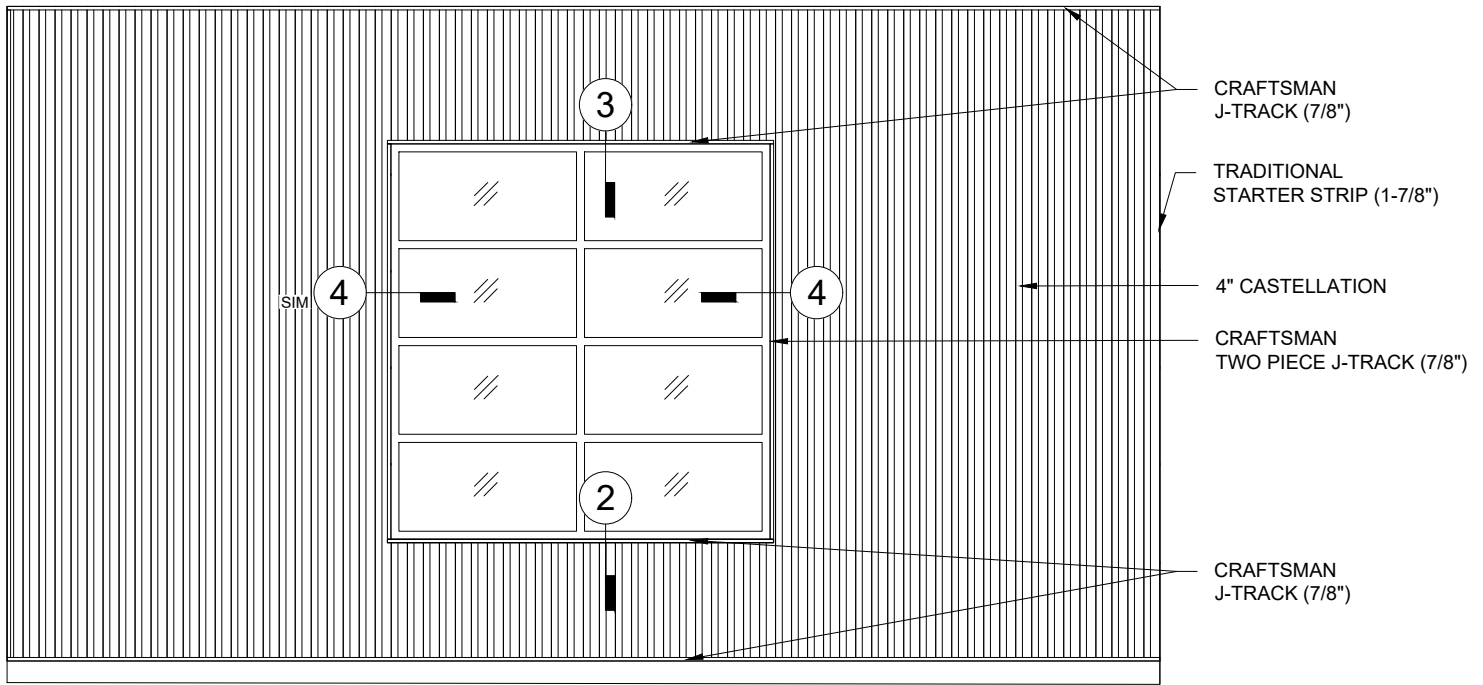


4" CASTELLATION WITH LINK & LOCK  
NON 90 DEGREE OUTSIDE CORNER DETAIL

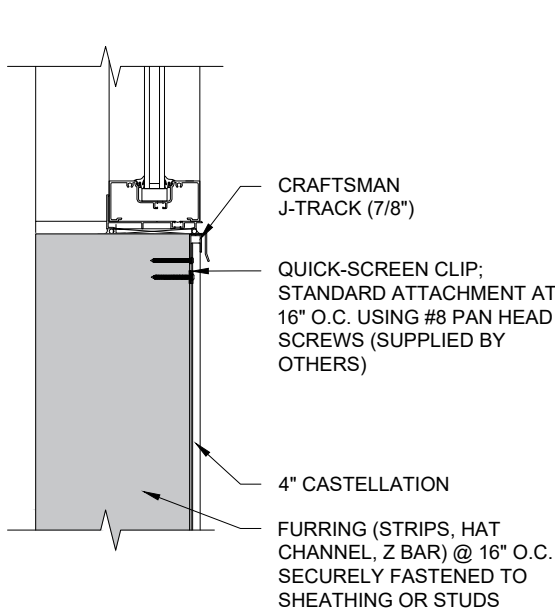
SCALE:1:8

These drawings are published as an information guide only. These CAD drawings are intended as templates to assist the designer, they do not contain the full detail required for construction and must be read in conjunction with the installation instructions on [www.longboardproducts.com](http://www.longboardproducts.com). You should obtain architectural, engineering or other technical advice to assess the suitability of these drawings to the requirements of your particular project. Mayne Coatings Corp. and Longboard products accepts no liability in respect to the use of these drawings. For complete installation instructions refer to the appropriate documentation here [www.longboardproducts.com/resources/technical-documentation/installation-guides](http://www.longboardproducts.com/resources/technical-documentation/installation-guides)

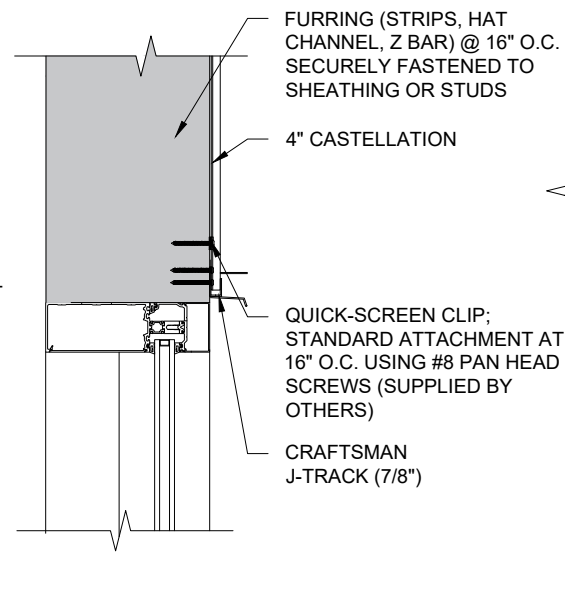




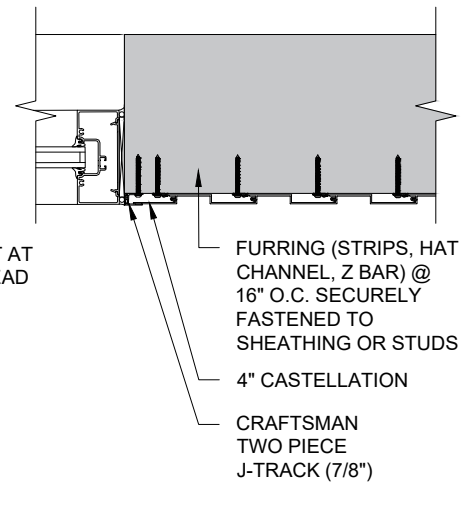
**1** WALL ELEVATION  
SCALE: 1:50



**2** WINDOW SILL DETAIL  
SCALE: 1:10



**3** WINDOW HEAD DETAIL  
SCALE: 1:10



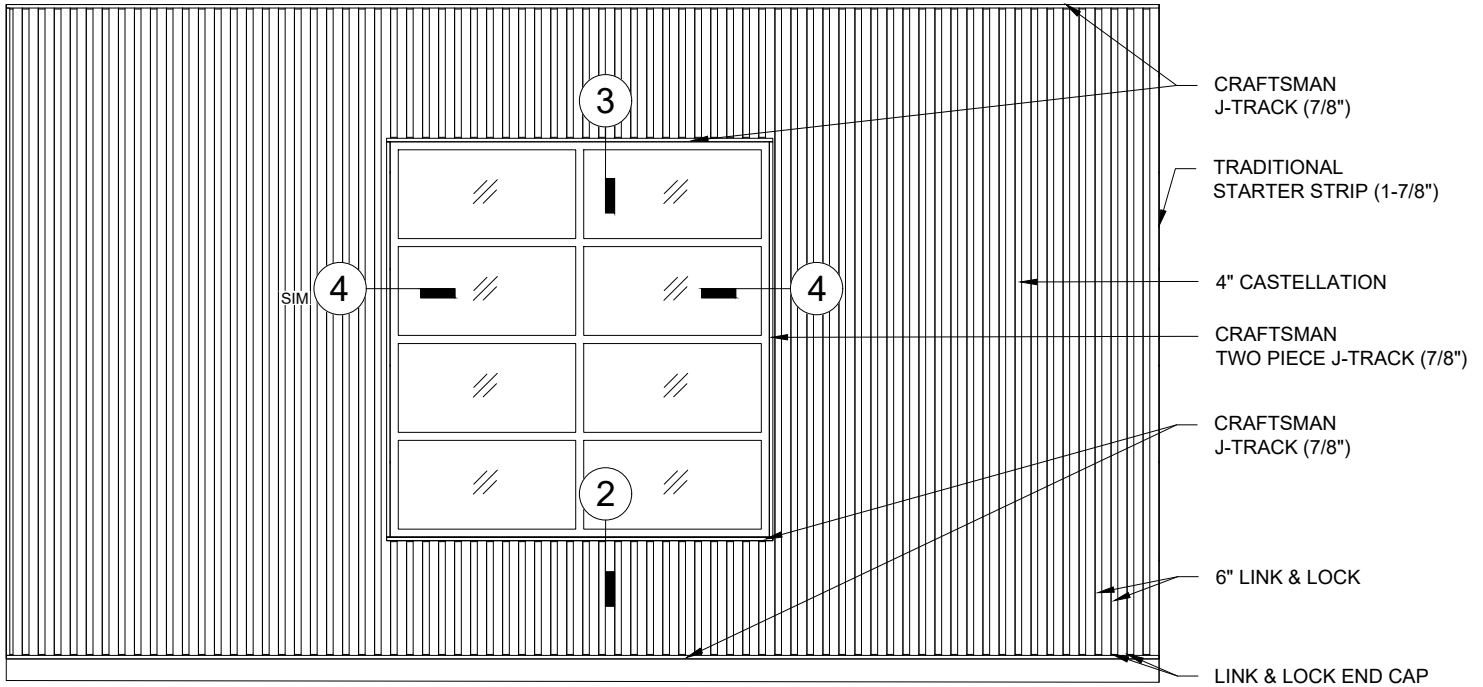
**4** WINDOW JAMB DETAIL  
SCALE: 1:10

These drawings are published as an information guide only. These CAD drawings are intended as templates to assist the designer, they do not contain the full detail required for construction and must be read in conjunction with the installation instructions on [www.longboardproducts.com](http://www.longboardproducts.com). You should obtain architectural, engineering or other technical advice to assess the suitability of these drawings to the requirements of your particular project. Mayne Coatings Corp. and Longboard products accepts no liability in respect to the use of these drawings. For complete installation instructions refer to the appropriate documentation here [www.longboardproducts.com/resources/technical-documentation/installation-guides](http://www.longboardproducts.com/resources/technical-documentation/installation-guides)

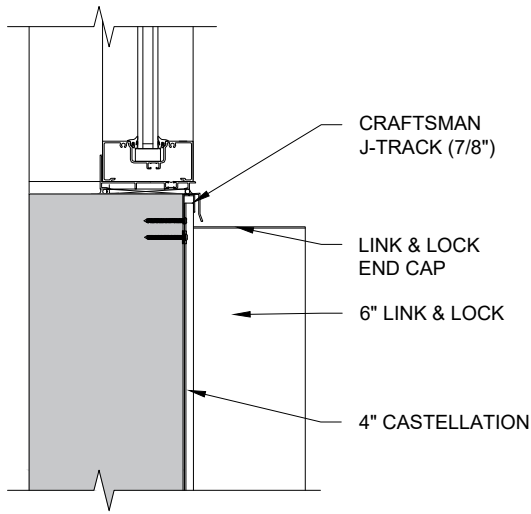
TYPICAL TRIMS @ WINDOW DETAIL

SCALE: AS INDICATED

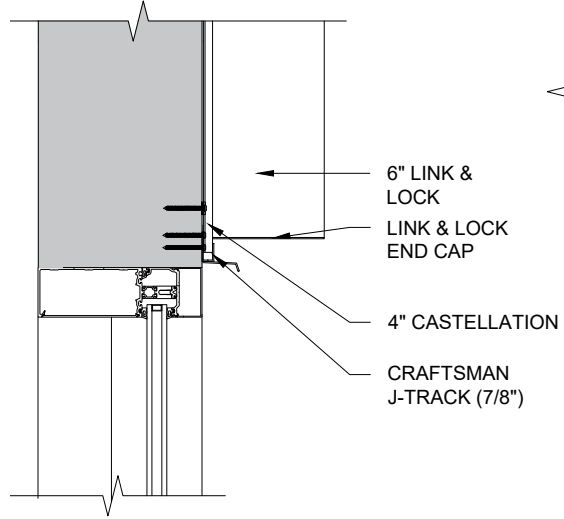




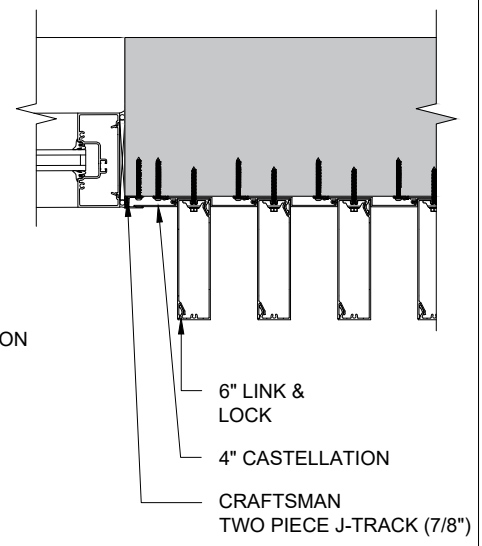
**1** WALL ELEVATION  
SCALE: 1:50



**2** WINDOW SILL DETAIL  
SCALE: 1:10



**3** WINDOW HEAD DETAIL  
SCALE: 1:10



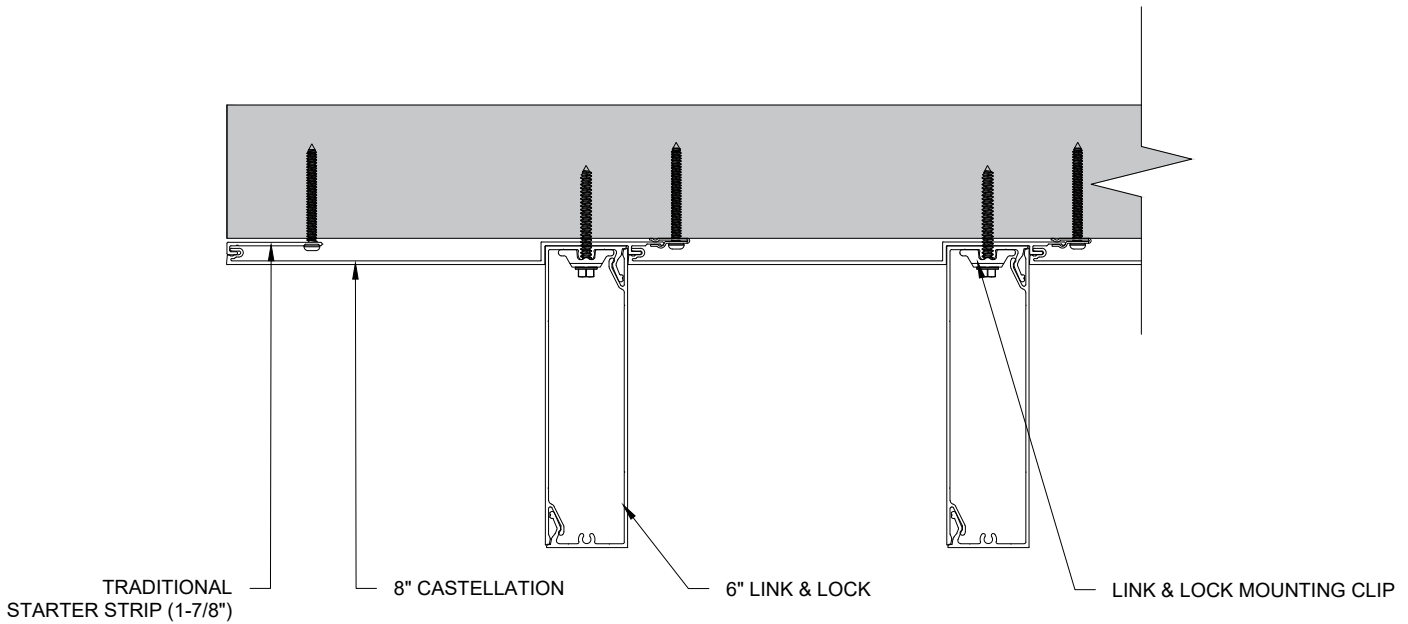
**4** WINDOW JAMB DETAIL  
SCALE: 1:10

These drawings are published as an information guide only. These CAD drawings are intended as templates to assist the designer, they do not contain the full detail required for construction and must be read in conjunction with the installation instructions on [www.longboardproducts.com](http://www.longboardproducts.com). You should obtain architectural, engineering or other technical advice to assess the suitability of these drawings to the requirements of your particular project. Mayne Coatings Corp. and Longboard products accepts no liability in respect to the use of these drawings. For complete installation instructions refer to the appropriate documentation here [www.longboardproducts.com/resources/technical-documentation/installation-guides](http://www.longboardproducts.com/resources/technical-documentation/installation-guides)

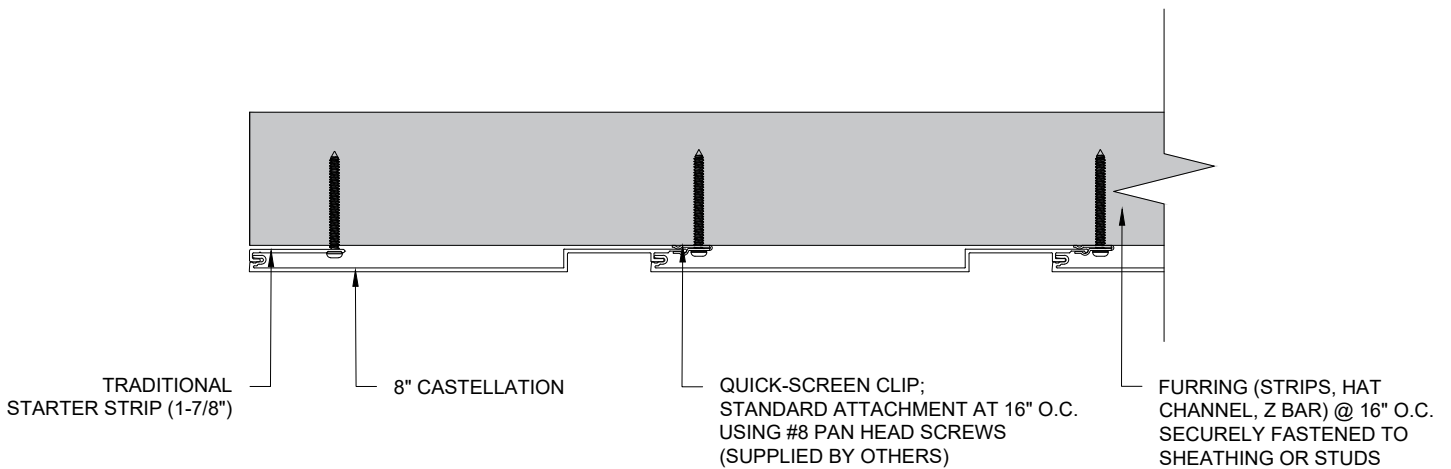
TYPICAL TRIMS WITH LINK & LOCK @ WINDOW DETAIL

SCALE: AS INDICATED





2 **8" CASTELLATION WITH LINK & LOCK**  
SCALE: 1:4



1 **8" CASTELLATION**  
SCALE: 1:4

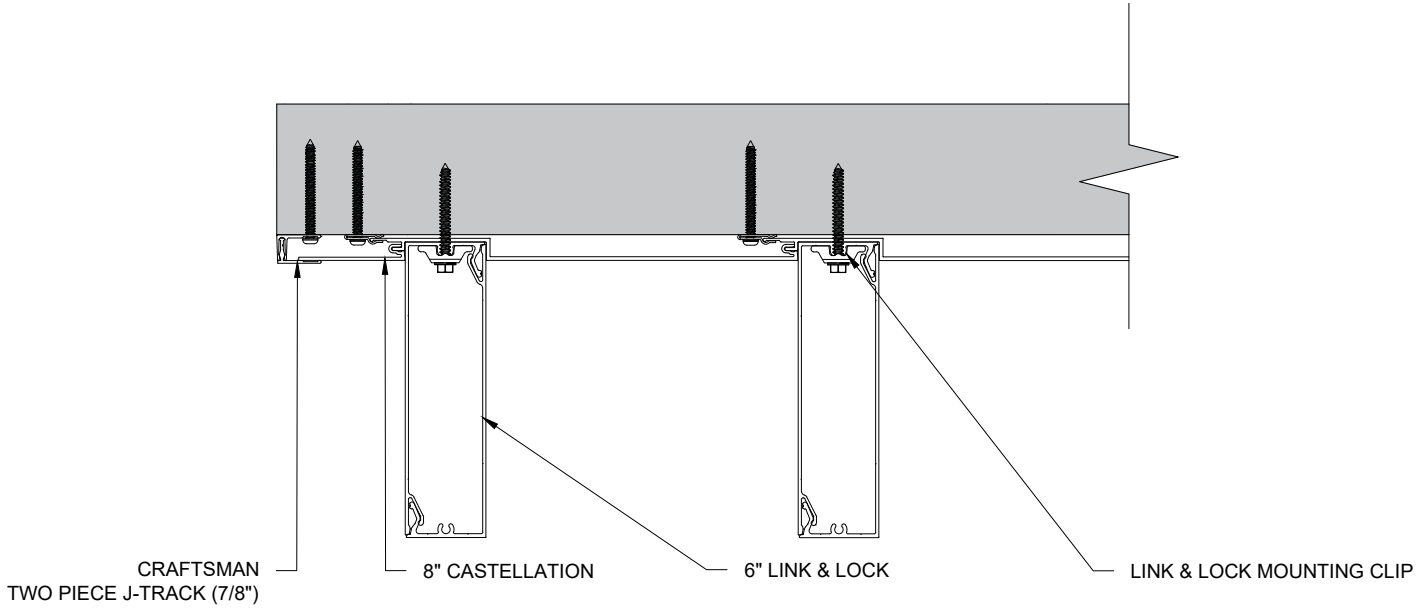
These drawings are published as an information guide only. These CAD drawings are intended as templates to assist the designer, they do not contain the full detail required for construction and must be read in conjunction with the installation instructions on [www.longboardproducts.com](http://www.longboardproducts.com). You should obtain architectural, engineering or other technical advice to assess the suitability of these drawings to the requirements of your particular project. Mayne Coatings Corp. and Longboard products accepts no liability in respect to the use of these drawings. For complete installation instructions refer to the appropriate documentation here [www.longboardproducts.com/resources/technical-documentation/installation-guides](http://www.longboardproducts.com/resources/technical-documentation/installation-guides)

**8" CASTELLATION @  
START OF WALL DETAIL**

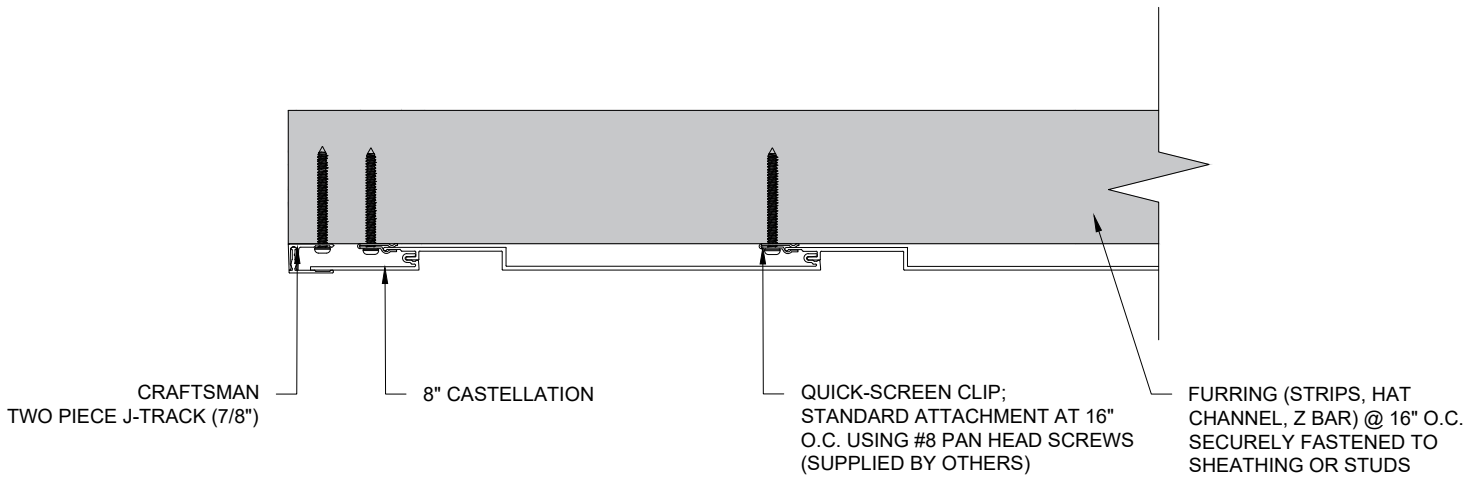
SCALE: 1:4







**2** 8" CASTELLATION WITH LINK & LOCK  
SCALE: 1:4



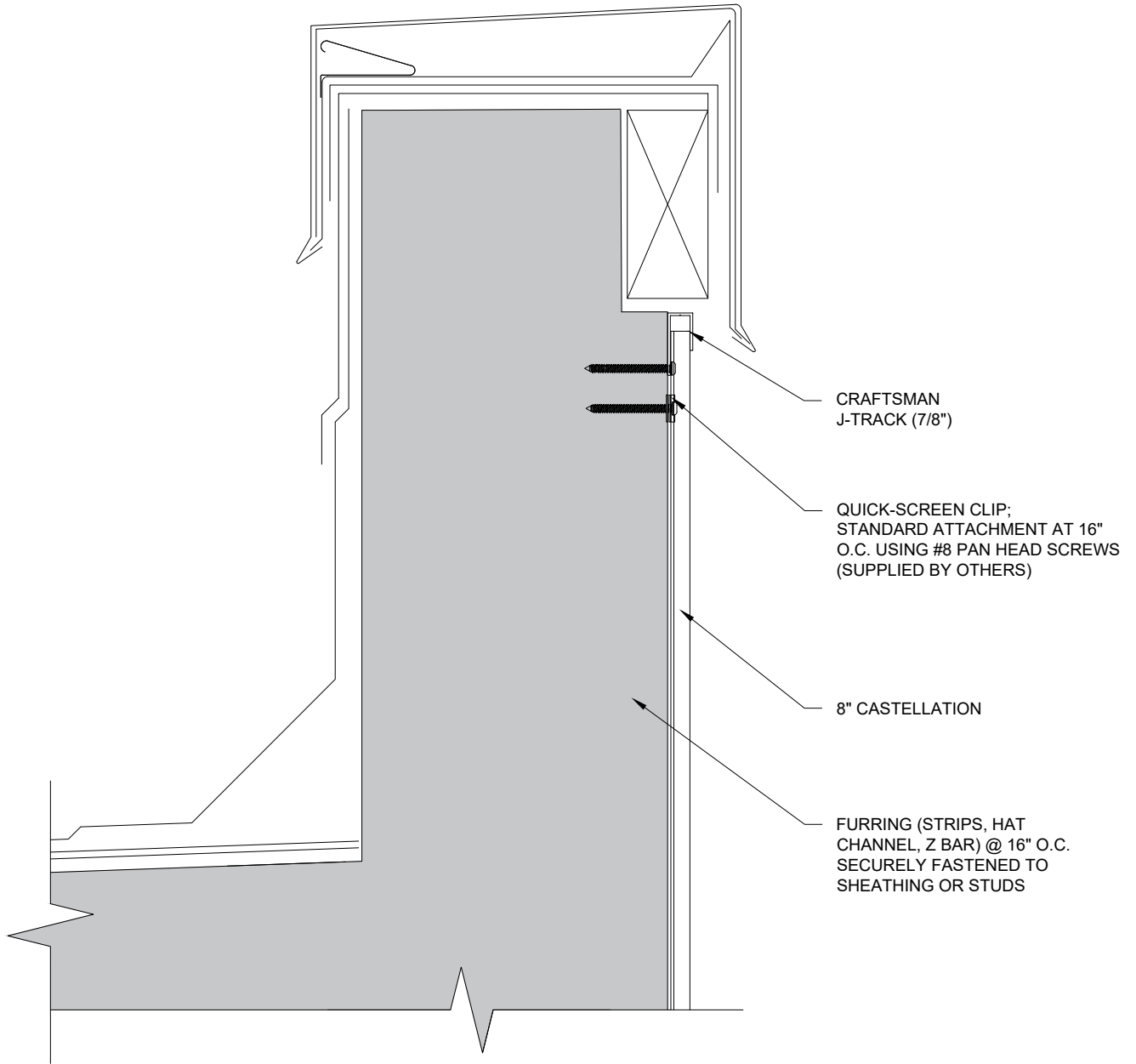
**1** 8" CASTELLATION  
SCALE: 1:4

These drawings are published as an information guide only. These CAD drawings are intended as templates to assist the designer, they do not contain the full detail required for construction and must be read in conjunction with the installation instructions on [www.longboardproducts.com](http://www.longboardproducts.com). You should obtain architectural, engineering or other technical advice to assess the suitability of these drawings to the requirements of your particular project. Mayne Coatings Corp. and Longboard products accepts no liability in respect to the use of these drawings. For complete installation instructions refer to the appropriate documentation here [www.longboardproducts.com/resources/technical-documentation/installation-guides](http://www.longboardproducts.com/resources/technical-documentation/installation-guides)

## 8" CASTELLATION @ WALL TERMINATION DETAIL

SCALE: 1:4



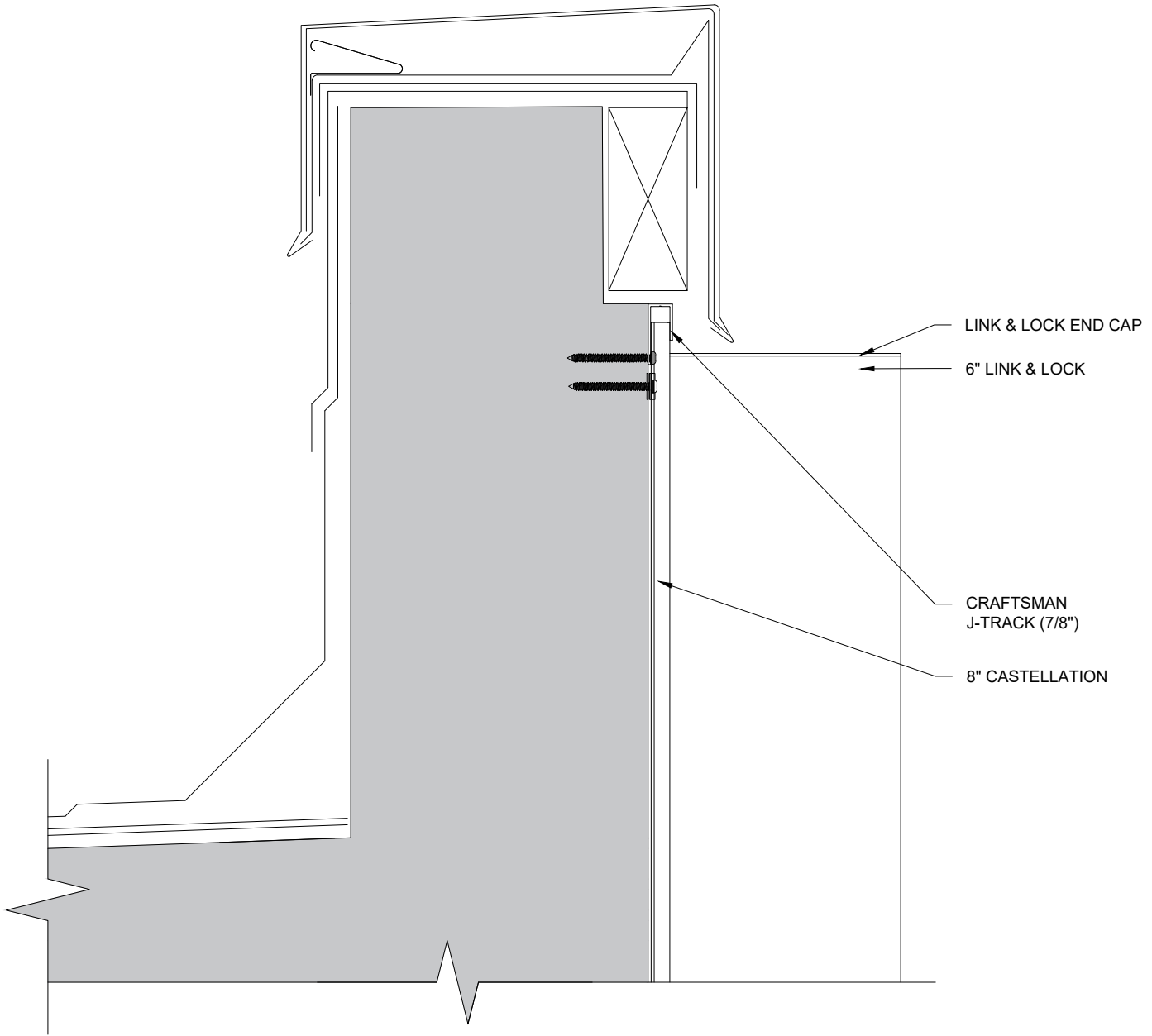


These drawings are published as an information guide only. These CAD drawings are intended as templates to assist the designer, they do not contain the full detail required for construction and must be read in conjunction with the installation instructions on [www.longboardproducts.com](http://www.longboardproducts.com). You should obtain architectural, engineering or other technical advice to assess the suitability of these drawings to the requirements of your particular project. Mayne Coatings Corp. and Longboard products accepts no liability in respect to the use of these drawings. For complete installation instructions refer to the appropriate documentation here [www.longboardproducts.com/resources/technical-documentation/installation-guides](http://www.longboardproducts.com/resources/technical-documentation/installation-guides)

## 8" CASTELLATION @ PARAPET DETAIL

SCALE: 1:4



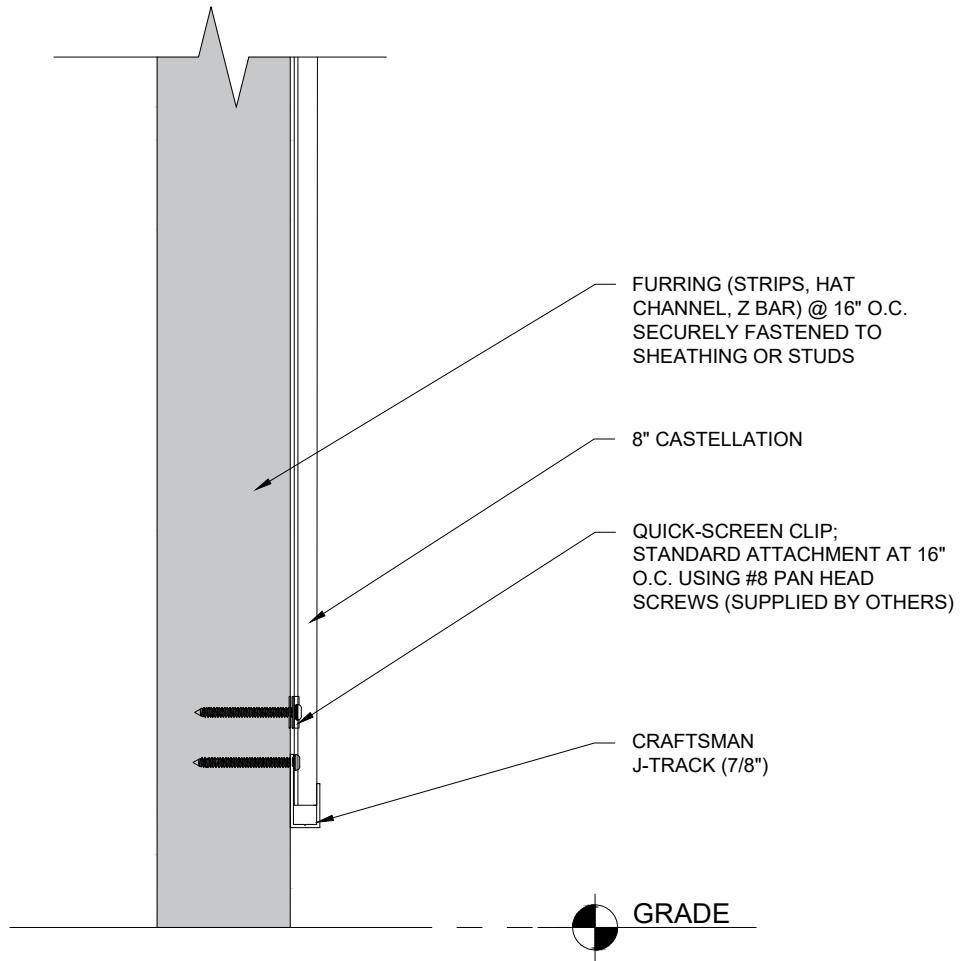


These drawings are published as an information guide only. These CAD drawings are intended as templates to assist the designer, they do not contain the full detail required for construction and must be read in conjunction with the installation instructions on [www.longboardproducts.com](http://www.longboardproducts.com). You should obtain architectural, engineering or other technical advice to assess the suitability of these drawings to the requirements of your particular project. Mayne Coatings Corp. and Longboard products accepts no liability in respect to the use of these drawings. For complete installation instructions refer to the appropriate documentation here [www.longboardproducts.com/resources/technical-documentation/installation-guides](http://www.longboardproducts.com/resources/technical-documentation/installation-guides)

## 8" CASTELLATION WITH LINK & LOCK @ PARAPET DETAIL

SCALE: 1:4



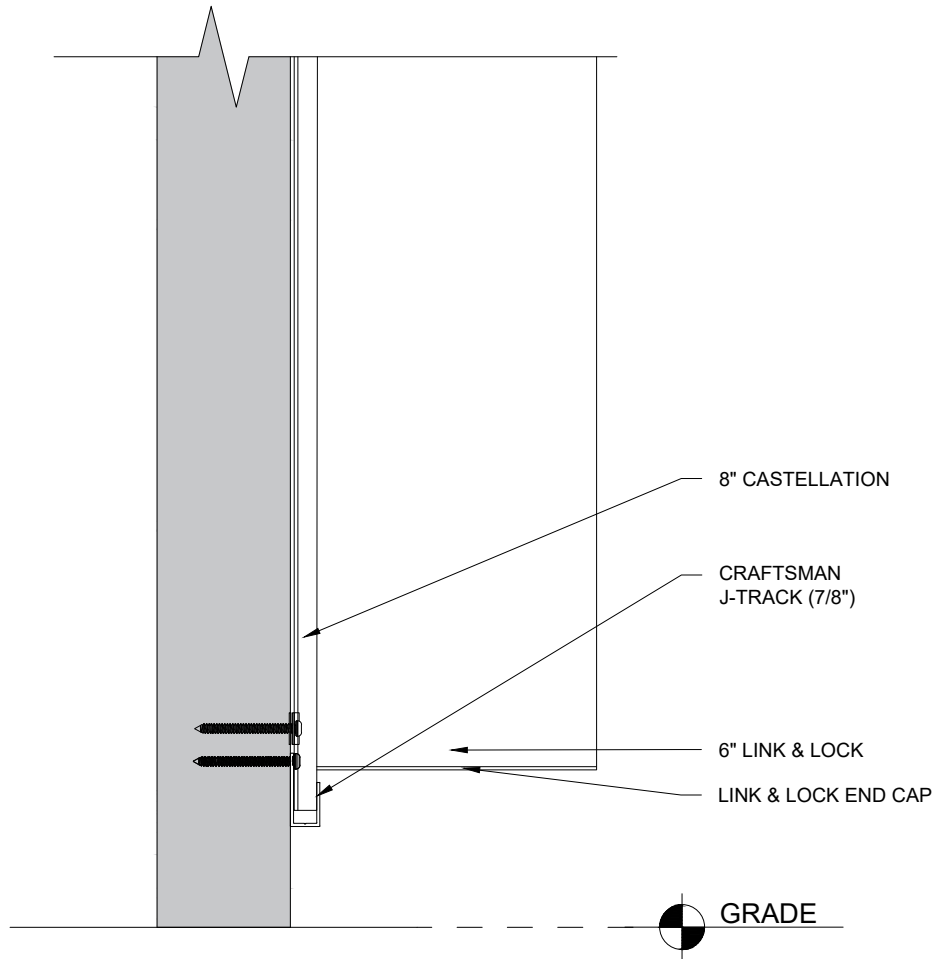


These drawings are published as an information guide only. These CAD drawings are intended as templates to assist the designer, they do not contain the full detail required for construction and must be read in conjunction with the installation instructions on [www.longboardproducts.com](http://www.longboardproducts.com). You should obtain architectural, engineering or other technical advice to assess the suitability of these drawings to the requirements of your particular project. Mayne Coatings Corp. and Longboard products accepts no liability in respect to the use of these drawings. For complete installation instructions refer to the appropriate documentation here [www.longboardproducts.com/resources/technical-documentation/installation-guides](http://www.longboardproducts.com/resources/technical-documentation/installation-guides)

## 8" CASTELLATION @ BOTTOM OF WALL DETAIL

SCALE: 1:4



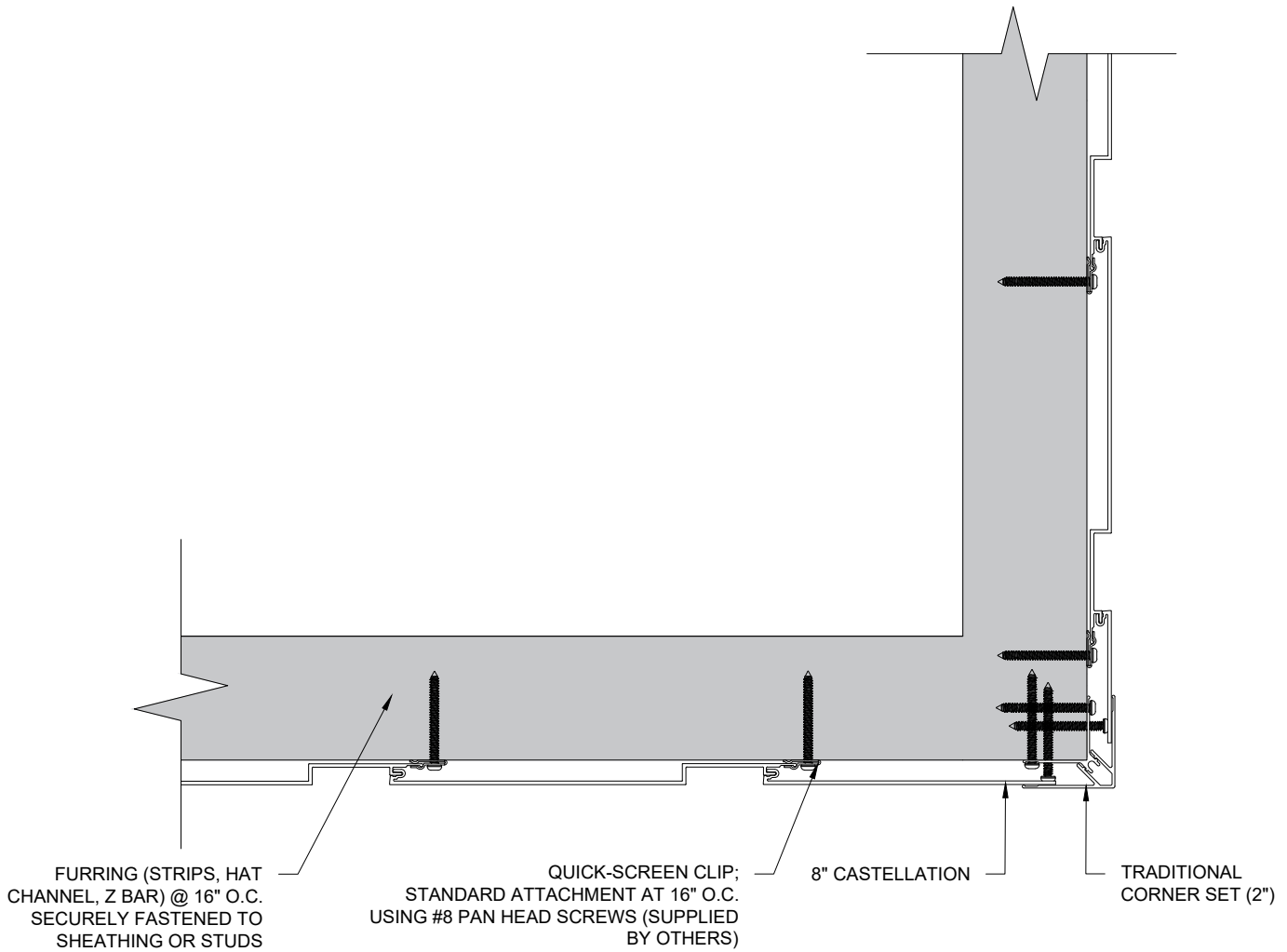


These drawings are published as an information guide only. These CAD drawings are intended as templates to assist the designer, they do not contain the full detail required for construction and must be read in conjunction with the installation instructions on [www.longboardproducts.com](http://www.longboardproducts.com). You should obtain architectural, engineering or other technical advice to assess the suitability of these drawings to the requirements of your particular project. Mayne Coatings Corp. and Longboard products accepts no liability in respect to the use of these drawings. For complete installation instructions refer to the appropriate documentation here [www.longboardproducts.com/resources/technical-documentation/installation-guides](http://www.longboardproducts.com/resources/technical-documentation/installation-guides)

## 8" CASTELLATION WITH LINK & LOCK @ BOTTOM OF WALL DETAIL

SCALE: 1:4



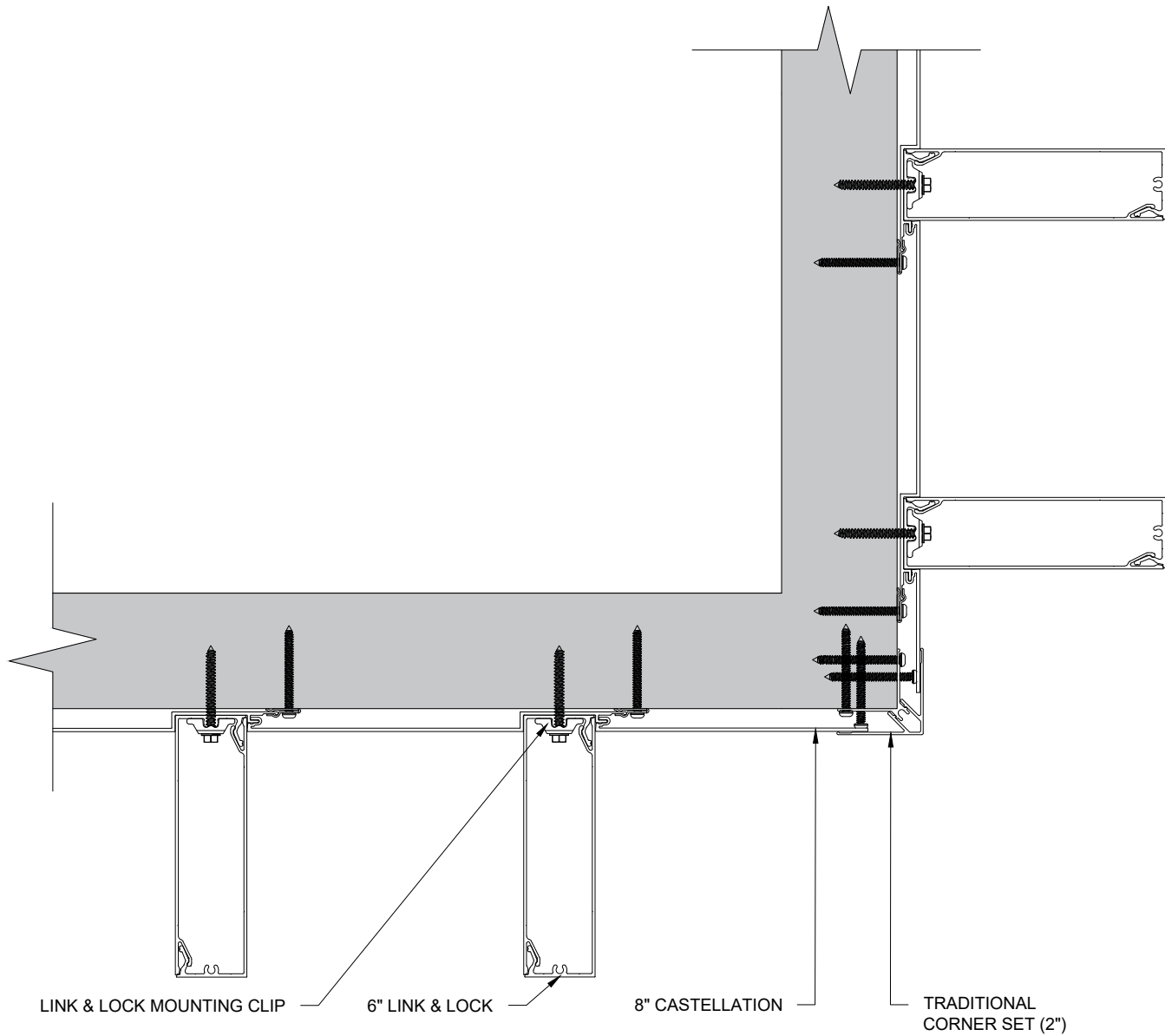


These drawings are published as an information guide only. These CAD drawings are intended as templates to assist the designer, they do not contain the full detail required for construction and must be read in conjunction with the installation instructions on [www.longboardproducts.com](http://www.longboardproducts.com). You should obtain architectural, engineering or other technical advice to assess the suitability of these drawings to the requirements of your particular project. Mayne Coatings Corp. and Longboard products accepts no liability in respect to the use of these drawings. For complete installation instructions refer to the appropriate documentation here [www.longboardproducts.com/resources/technical-documentation/installation-guides](http://www.longboardproducts.com/resources/technical-documentation/installation-guides)

## 8" CASTELLATION TYPICAL OUTSIDE CORNER DETAIL

SCALE: 1:4



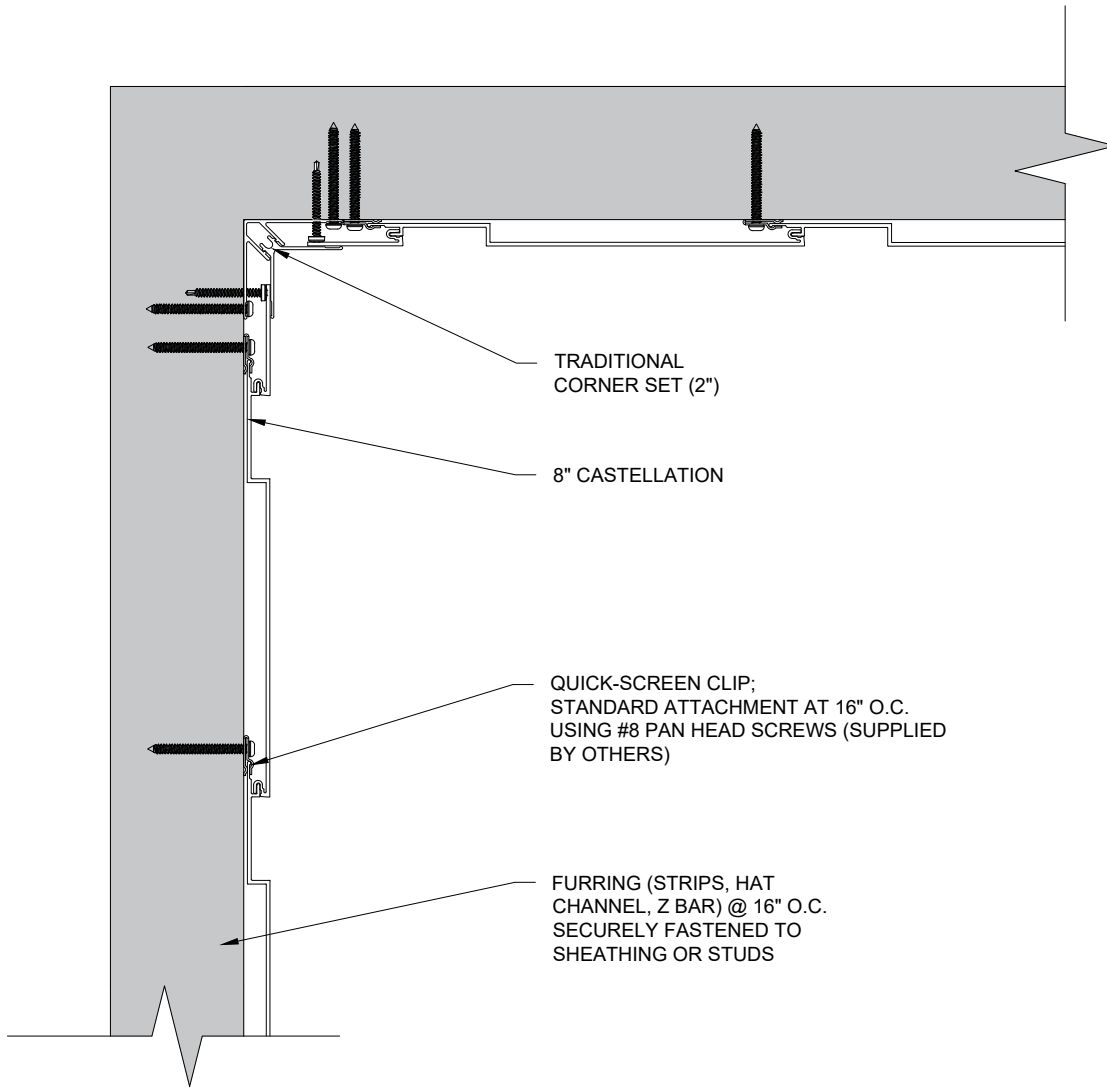


## 8" CASTELLATION WITH LINK & LOCK OUTSIDE CORNER DETAIL

SCALE: 1:4



These drawings are published as an information guide only. These CAD drawings are intended as templates to assist the designer, they do not contain the full detail required for construction and must be read in conjunction with the installation instructions on [www.longboardproducts.com](http://www.longboardproducts.com). You should obtain architectural, engineering or other technical advice to assess the suitability of these drawings to the requirements of your particular project.  
 Mayne Coatings Corp. and Longboard products accepts no liability in respect to the use of these drawings.  
 For complete installation instructions refer to the appropriate documentation here [www.longboardproducts.com/resources/technical-documentation/installation-guides](http://www.longboardproducts.com/resources/technical-documentation/installation-guides)



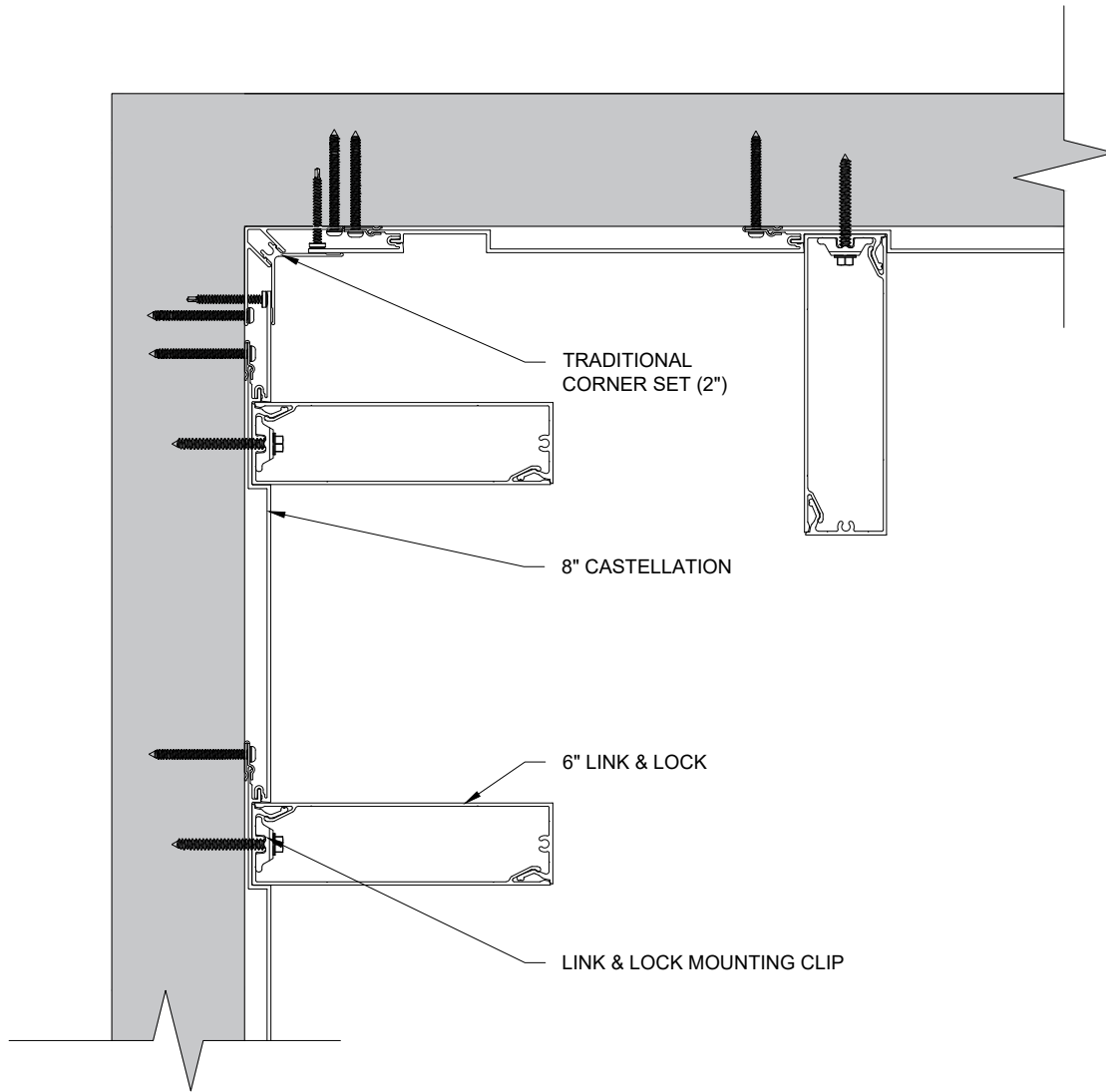
## 8" CASTELLATION TYPICAL INSIDE CORNER DETAIL

SCALE:1:4

These drawings are published as an information guide only. These CAD drawings are intended as templates to assist the designer, they do not contain the full detail required for construction and must be read in conjunction with the installation instructions on [www.longboardproducts.com](http://www.longboardproducts.com). You should obtain architectural, engineering or other technical advice to assess the suitability of these drawings to the requirements of your particular project.  
Mayne Coatings Corp. and Longboard products accepts no liability in respect to the use of these drawings.  
For complete installation instructions refer to the appropriate documentation here [www.longboardproducts.com/resources/technical-documentation/installation-guides](http://www.longboardproducts.com/resources/technical-documentation/installation-guides)





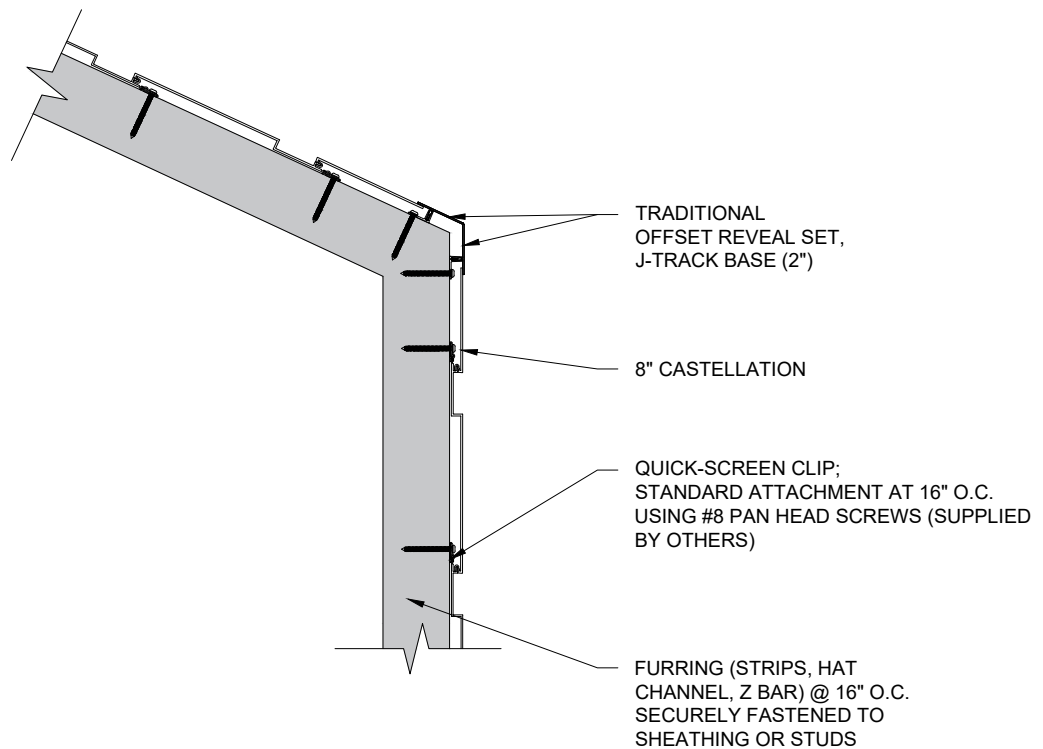
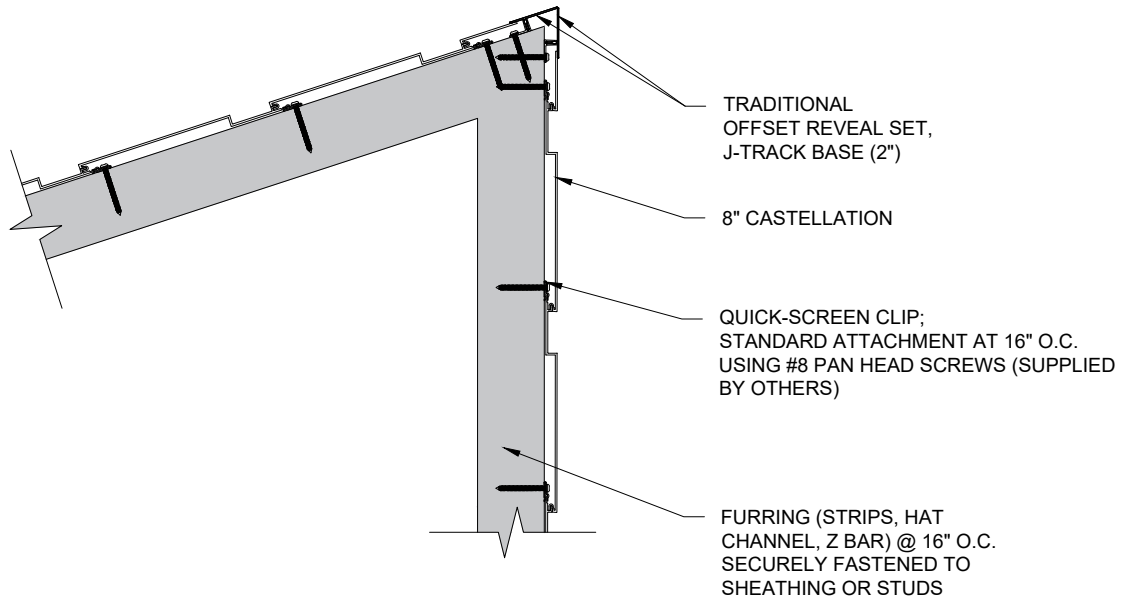


These drawings are published as an information guide only. These CAD drawings are intended as templates to assist the designer, they do not contain the full detail required for construction and must be read in conjunction with the installation instructions on [www.longboardproducts.com](http://www.longboardproducts.com). You should obtain architectural, engineering or other technical advice to assess the suitability of these drawings to the requirements of your particular project. Mayne Coatings Corp. and Longboard products accepts no liability in respect to the use of these drawings. For complete installation instructions refer to the appropriate documentation here [www.longboardproducts.com/resources/technical-documentation/installation-guides](http://www.longboardproducts.com/resources/technical-documentation/installation-guides)

## 8" CASTELLATION WITH LINK & LOCK INSIDE CORNER DETAIL

SCALE:1:4





These drawings are published as an information guide only. These CAD drawings are intended as templates to assist the designer, they do not contain the full detail required for construction and must be read in conjunction with the installation instructions on [www.longboardproducts.com](http://www.longboardproducts.com). You should obtain architectural, engineering or other technical advice to assess the suitability of these drawings to the requirements of your particular project.

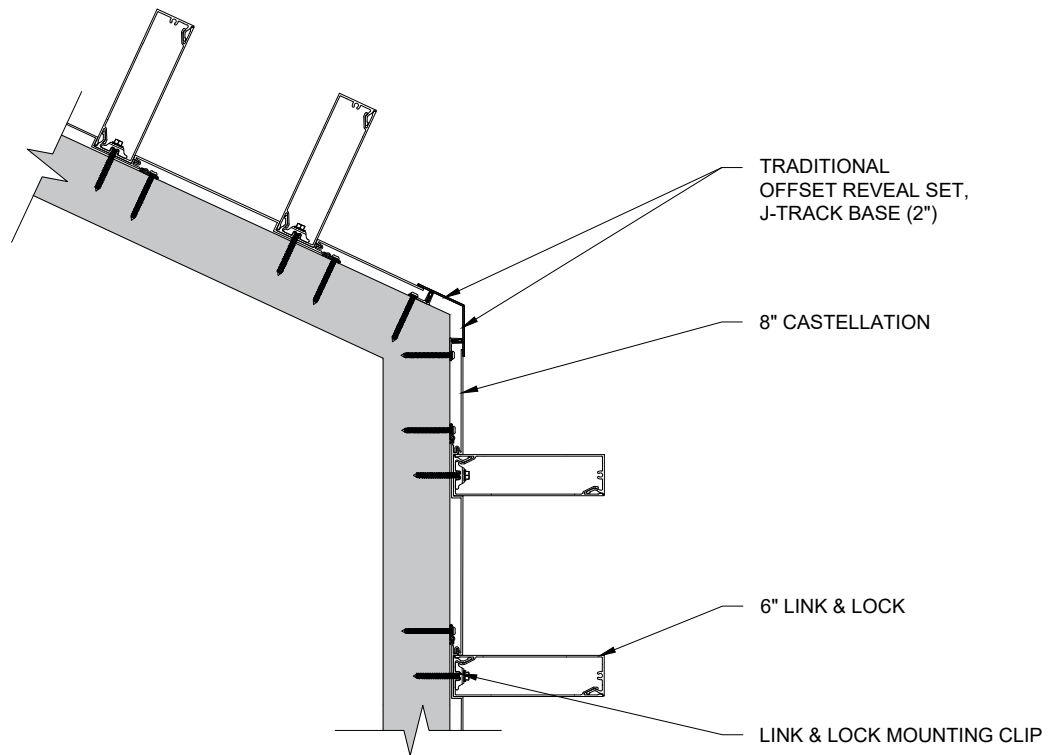
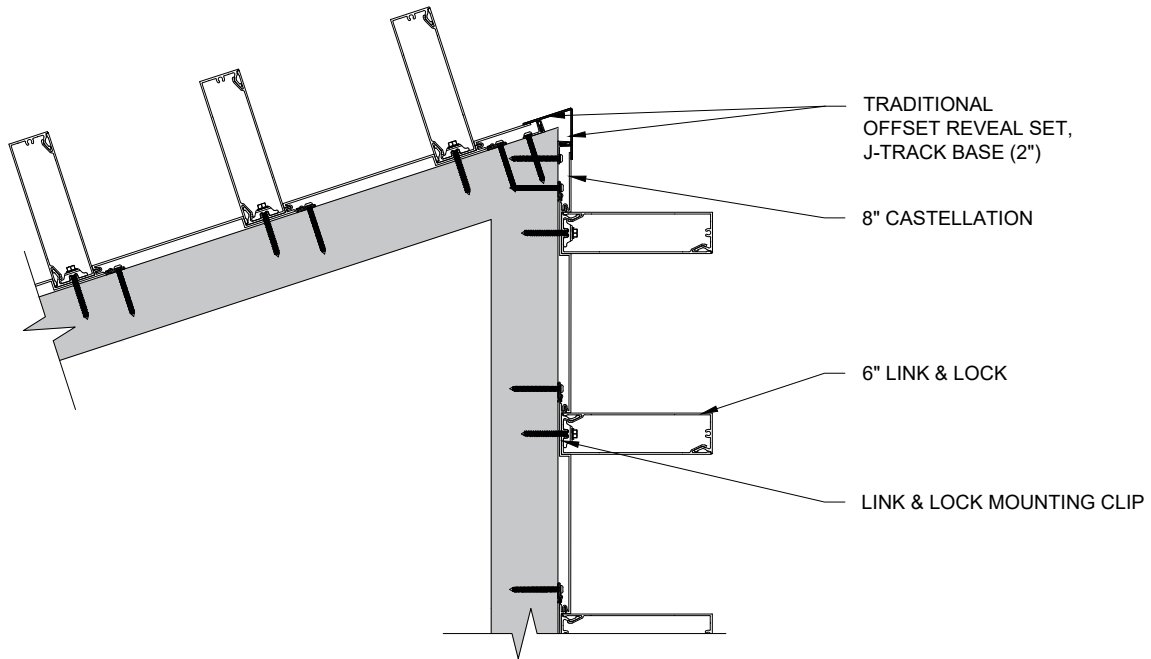
Mayne Coatings Corp. and Longboard products accepts no liability in respect to the use of these drawings.

For complete installation instructions refer to the appropriate documentation here [www.longboardproducts.com/resources/technical-documentation/installation-guides](http://www.longboardproducts.com/resources/technical-documentation/installation-guides)

## 8" CASTELLATION TYPICAL NON 90 DEGREE OUTSIDE CORNER DETAIL

SCALE:1:8



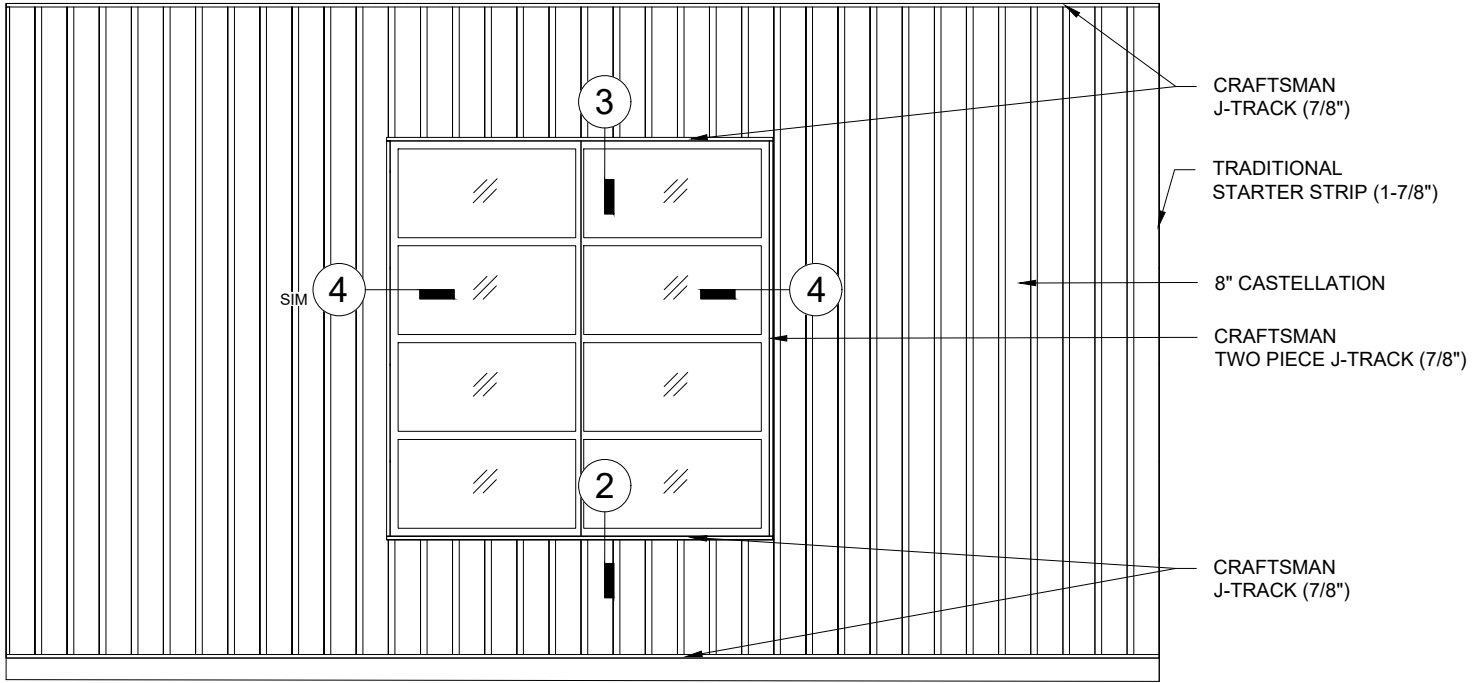


These drawings are published as an information guide only. These CAD drawings are intended as templates to assist the designer, they do not contain the full detail required for construction and must be read in conjunction with the installation instructions on [www.longboardproducts.com](http://www.longboardproducts.com). You should obtain architectural, engineering or other technical advice to assess the suitability of these drawings to the requirements of your particular project. Mayne Coatings Corp. and Longboard products accepts no liability in respect to the use of these drawings. For complete installation instructions refer to the appropriate documentation here [www.longboardproducts.com/resources/technical-documentation/installation-guides](http://www.longboardproducts.com/resources/technical-documentation/installation-guides)

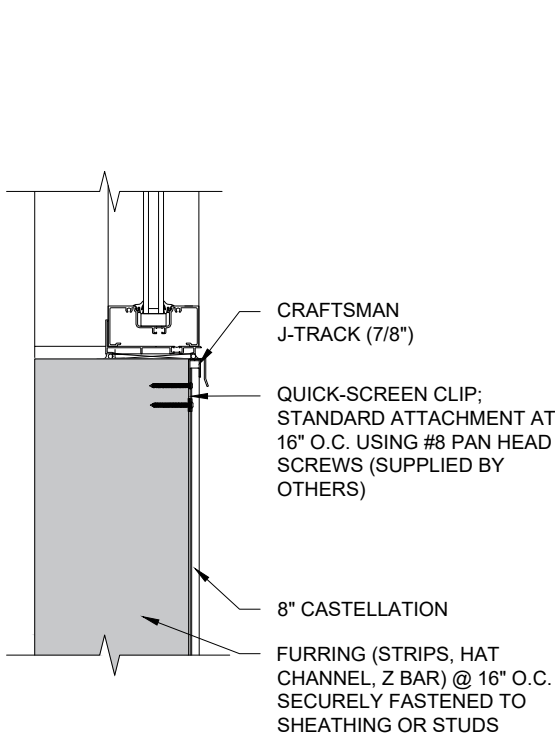
## 8" CASTELLATION WITH LINK & LOCK NON 90 DEGREE OUTSIDE CORNER DETAIL

SCALE: 1:8

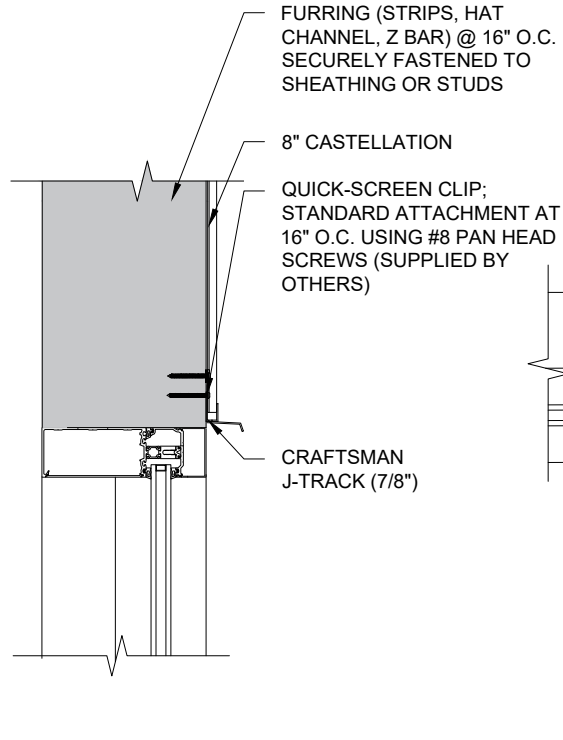




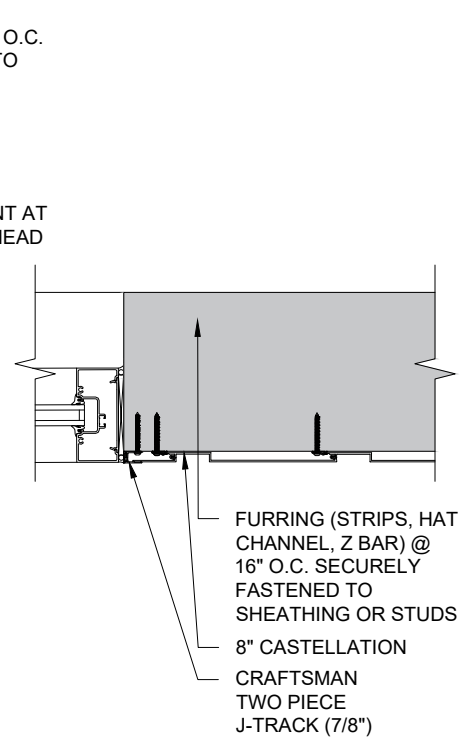
**1 WALL ELEVATION**  
SCALE: 1:50



**2 WINDOW SILL DETAIL**  
SCALE: 1:10



**3 WINDOW HEAD DETAIL**  
SCALE: 1:10



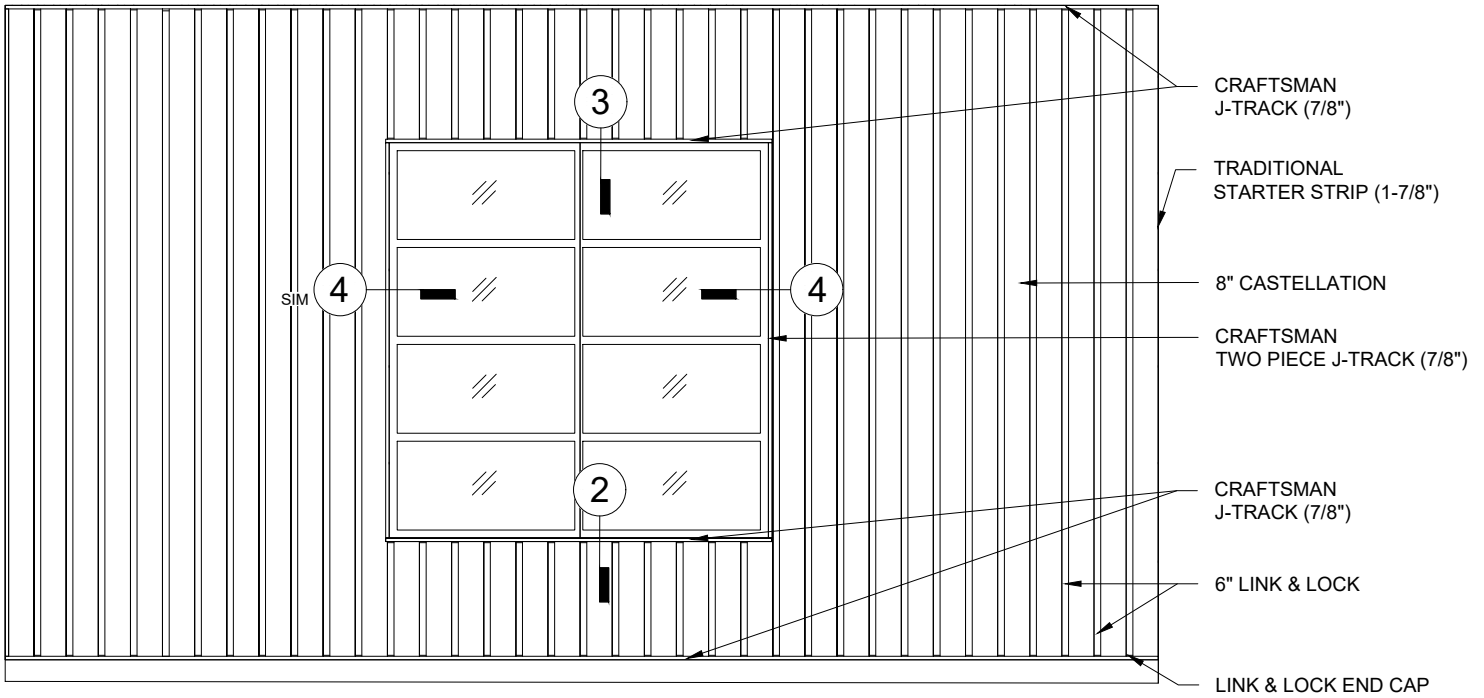
**4 WINDOW JAMB DETAIL**  
SCALE: 1:10

These drawings are published as an information guide only. These CAD drawings are intended as templates to assist the designer, they do not contain the full detail required for construction and must be read in conjunction with the installation instructions on [www.longboardproducts.com](http://www.longboardproducts.com). You should obtain architectural, engineering or other technical advice to assess the suitability of these drawings to the requirements of your particular project. Mayne Coatings Corp. and Longboard products accepts no liability in respect to the use of these drawings. For complete installation instructions refer to the appropriate documentation here [www.longboardproducts.com/resources/technical-documentation/installation-guides](http://www.longboardproducts.com/resources/technical-documentation/installation-guides)

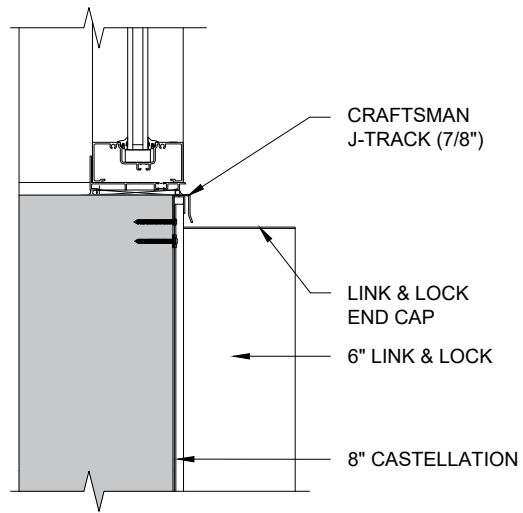
**TYPICAL TRIMS @ WINDOW DETAILS**

SCALE: AS INDICATED

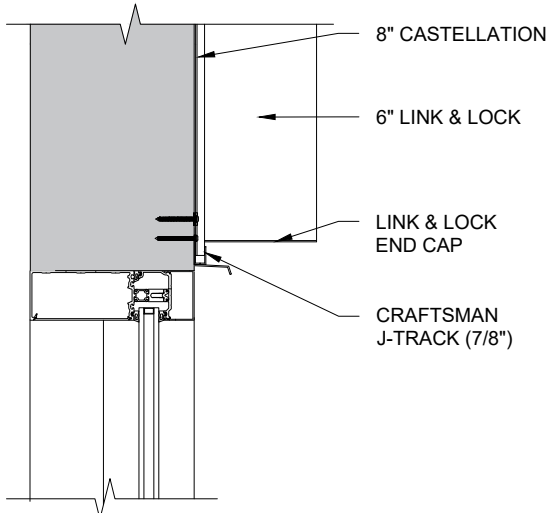




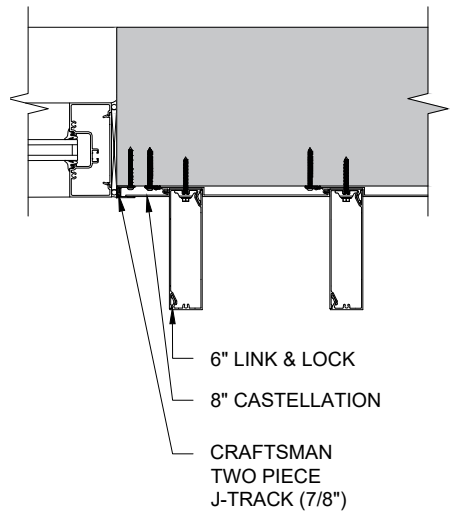
**1 WALL ELEVATION**  
 SCALE: 1:50



**2 WINDOW SILL DETAIL**  
 SCALE: 1:10



**3 WINDOW HEAD DETAIL**  
 SCALE: 1:10



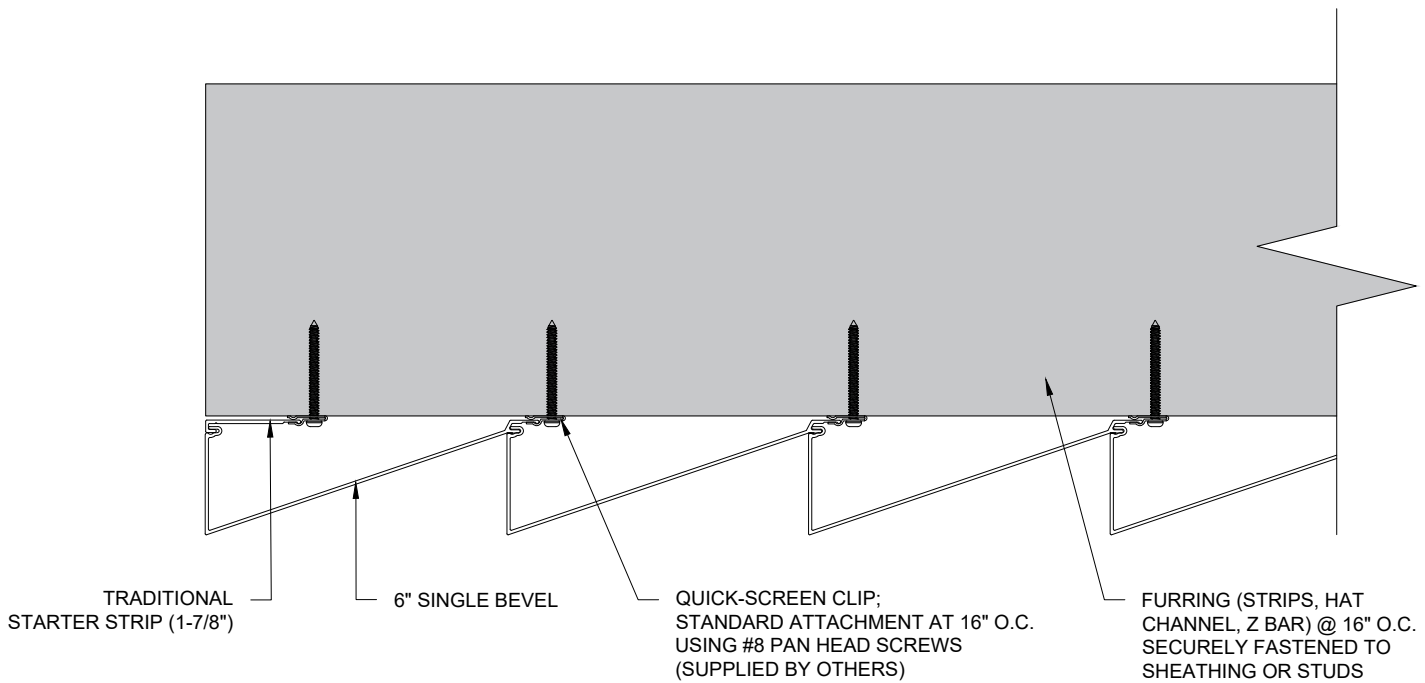
**4 WINDOW JAMB DETAIL**  
 SCALE: 1:10

These drawings are published as an information guide only. These CAD drawings are intended as templates to assist the designer, they do not contain the full detail required for construction and must be read in conjunction with the installation instructions on [www.longboardproducts.com](http://www.longboardproducts.com). You should obtain architectural, engineering or other technical advice to assess the suitability of these drawings to the requirements of your particular project. Mayne Coatings Corp. and Longboard products accepts no liability in respect to the use of these drawings. For complete installation instructions refer to the appropriate documentation here [www.longboardproducts.com/resources/technical-documentation/installation-guides](http://www.longboardproducts.com/resources/technical-documentation/installation-guides)

**TYPICAL TRIMS WITH LINK & LOCK  
 @ WINDOW DETAILS**

SCALE: AS INDICATED



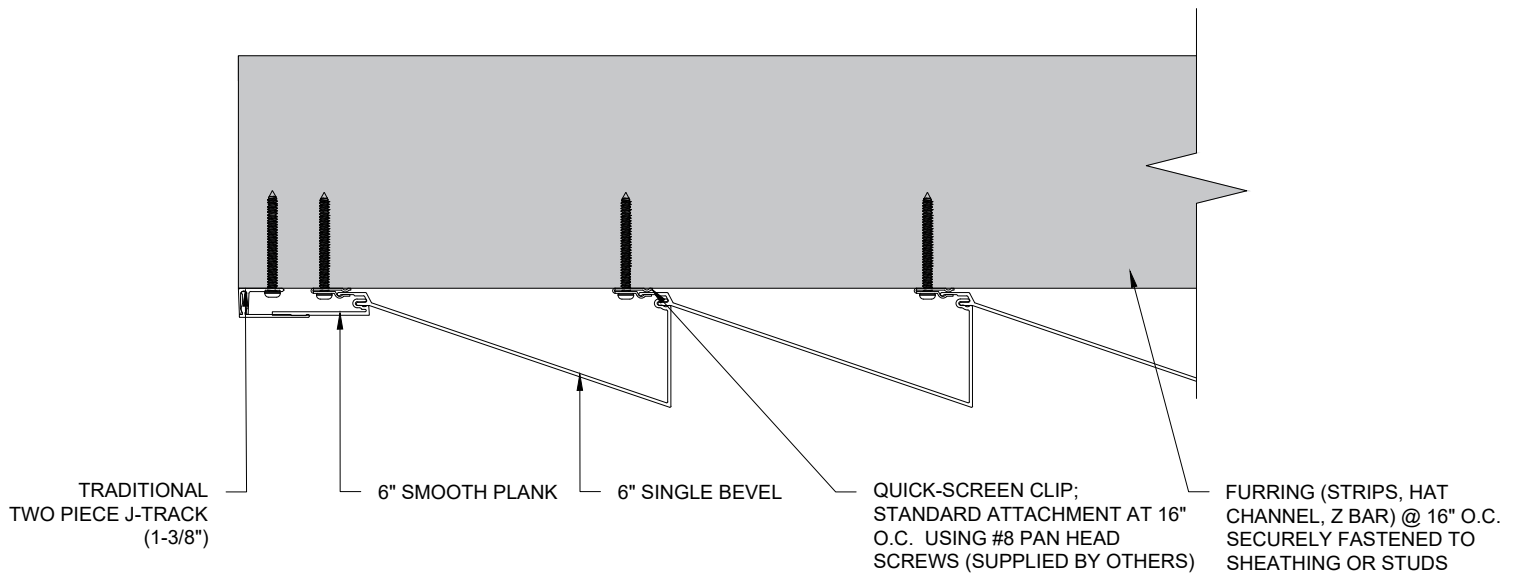


These drawings are published as an information guide only. These CAD drawings are intended as templates to assist the designer, they do not contain the full detail required for construction and must be read in conjunction with the installation instructions on [www.longboardproducts.com](http://www.longboardproducts.com). You should obtain architectural, engineering or other technical advice to assess the suitability of these drawings to the requirements of your particular project. Mayne Coatings Corp. and Longboard products accepts no liability in respect to the use of these drawings. For complete installation instructions refer to the appropriate documentation here [www.longboardproducts.com/resources/technical-documentation/installation-guides](http://www.longboardproducts.com/resources/technical-documentation/installation-guides)

## 6" SINGLE BEVEL @ START OF WALL DETAIL

SCALE: 1:4



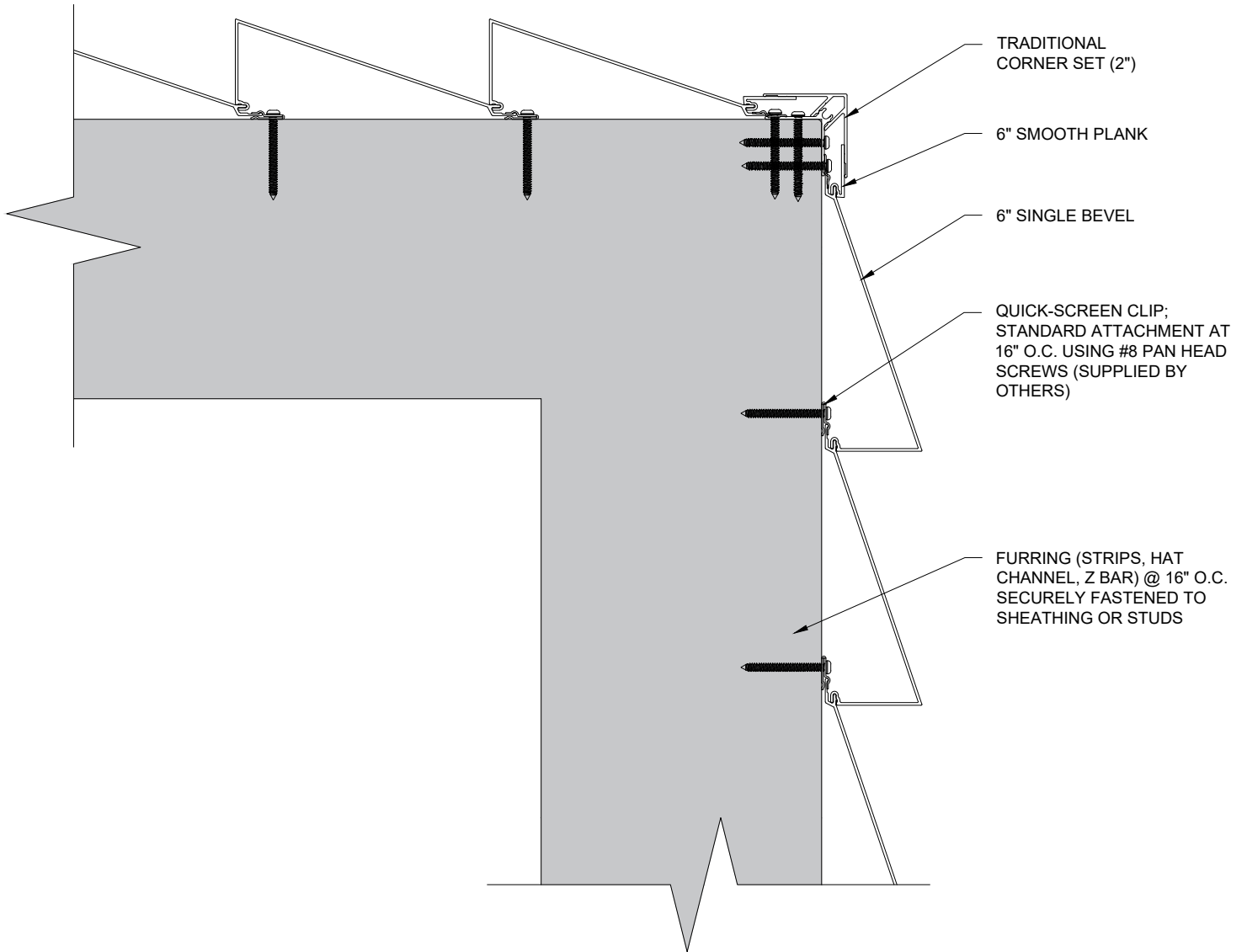


These drawings are published as an information guide only. These CAD drawings are intended as templates to assist the designer, they do not contain the full detail required for construction and must be read in conjunction with the installation instructions on [www.longboardproducts.com](http://www.longboardproducts.com). You should obtain architectural, engineering or other technical advice to assess the suitability of these drawings to the requirements of your particular project. Mayne Coatings Corp. and Longboard products accepts no liability in respect to the use of these drawings. For complete installation instructions refer to the appropriate documentation here [www.longboardproducts.com/resources/technical-documentation/installation-guides](http://www.longboardproducts.com/resources/technical-documentation/installation-guides)

## 6" SINGLE BEVEL @ WALL TERMINATION DETAIL

SCALE: 1:4





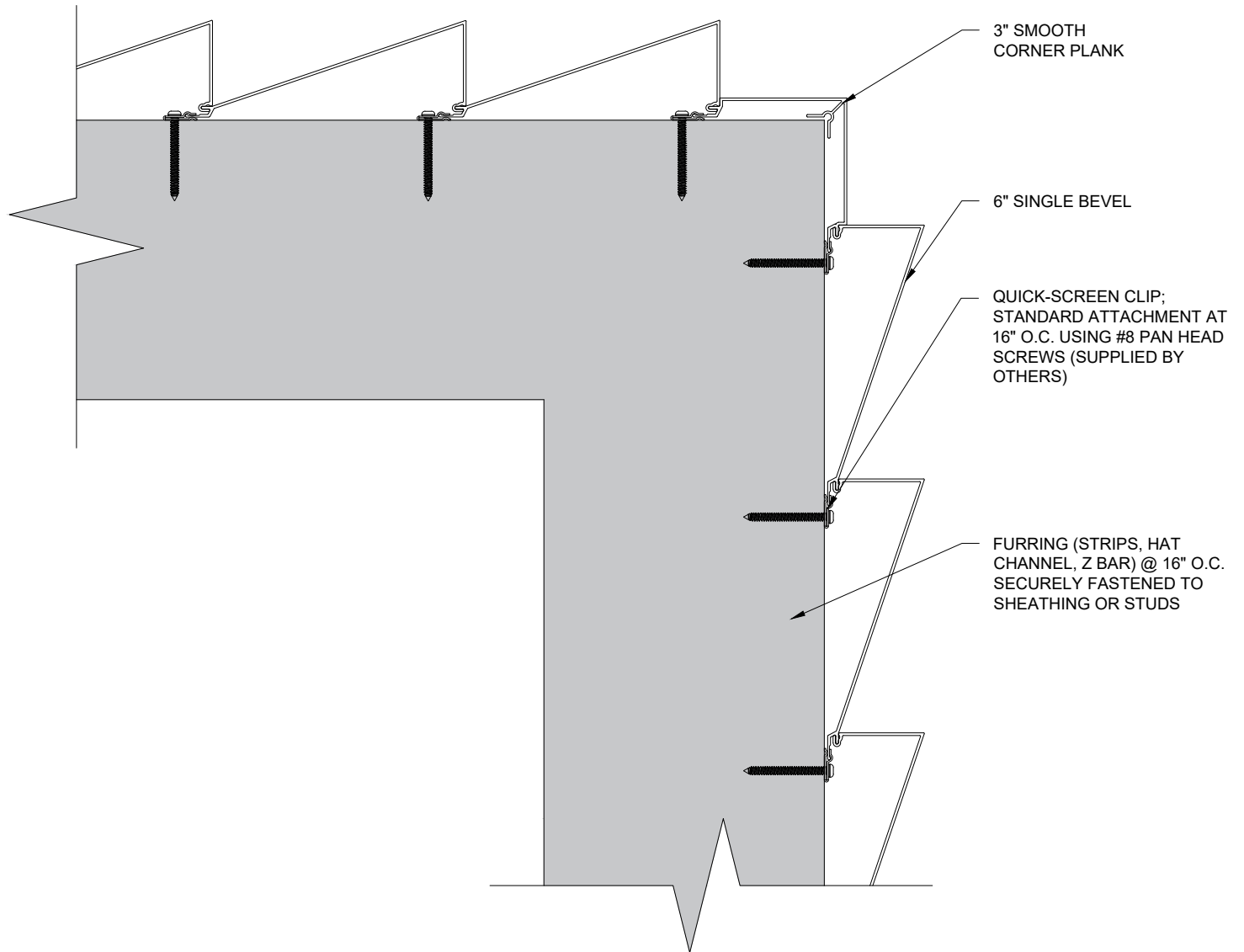
These drawings are published as an information guide only. These CAD drawings are intended as templates to assist the designer, they do not contain the full detail required for construction and must be read in conjunction with the installation instructions on [www.longboardproducts.com](http://www.longboardproducts.com). You should obtain architectural, engineering or other technical advice to assess the suitability of these drawings to the requirements of your particular project. Mayne Coatings Corp. and Longboard products accepts no liability in respect to the use of these drawings. For complete installation instructions refer to the appropriate documentation here [www.longboardproducts.com/resources/technical-documentation/installation-guides](http://www.longboardproducts.com/resources/technical-documentation/installation-guides)

## 6" SINGLE BEVEL WITH TRADITIONAL CORNER SET (2") OUTSIDE CORNER DETAIL

SCALE: 1:4





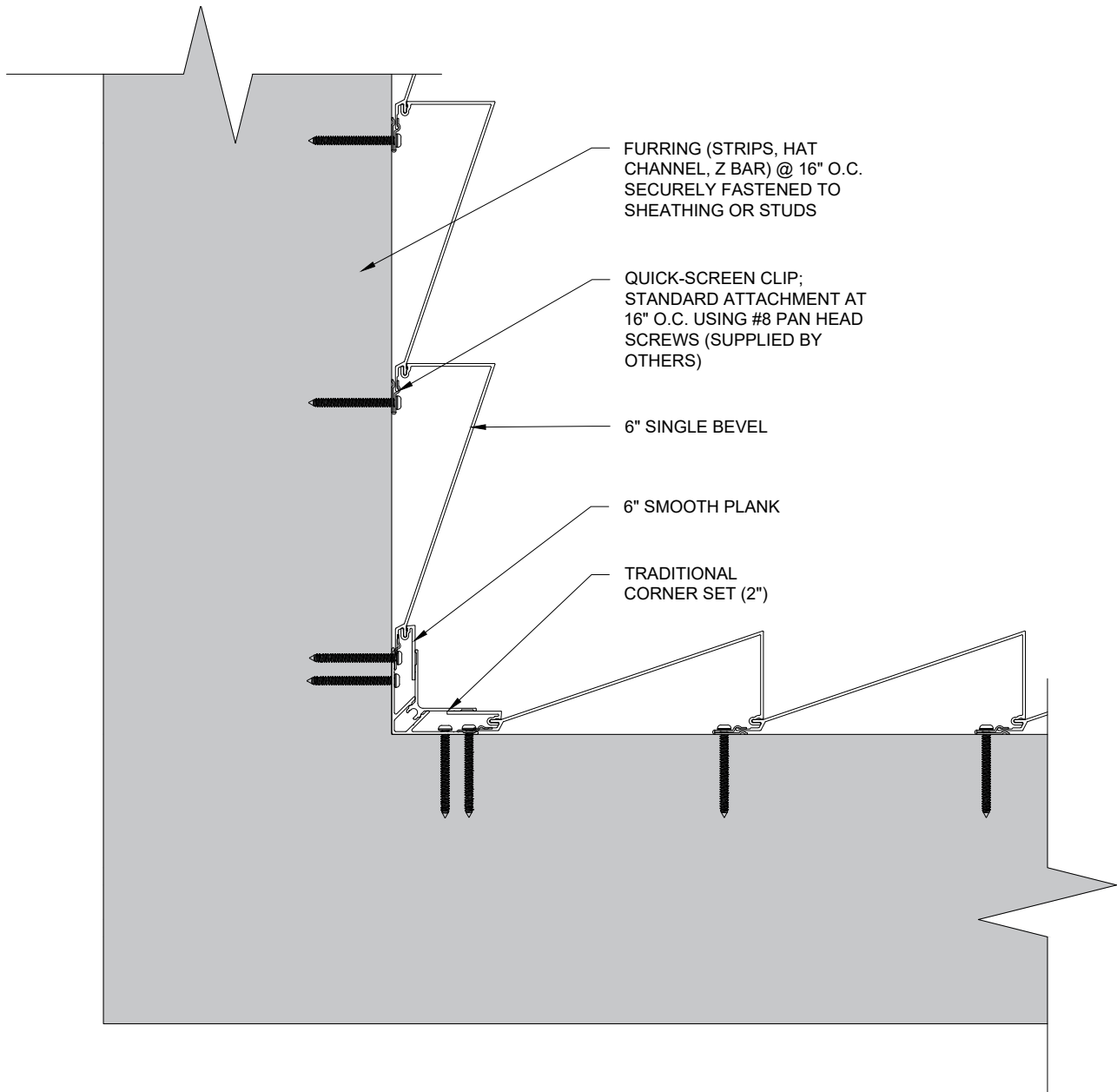


**6" SINGLE BEVEL WITH 3" SMOOTH  
CORNER PLANK OUTSIDE CORNER DETAIL**

SCALE: 1:4



These drawings are published as an information guide only. These CAD drawings are intended as templates to assist the designer, they do not contain the full detail required for construction and must be read in conjunction with the installation instructions on [www.longboardproducts.com](http://www.longboardproducts.com). You should obtain architectural, engineering or other technical advice to assess the suitability of these drawings to the requirements of your particular project.  
 Mayne Coatings Corp. and Longboard products accepts no liability in respect to the use of these drawings.  
 For complete installation instructions refer to the appropriate documentation here [www.longboardproducts.com/resources/technical-documentation/installation-guides](http://www.longboardproducts.com/resources/technical-documentation/installation-guides)



These drawings are published as an information guide only. These CAD drawings are intended as templates to assist the designer, they do not contain the full detail required for construction and must be read in conjunction with the installation instructions on [www.longboardproducts.com](http://www.longboardproducts.com). You should obtain architectural, engineering or other technical advice to assess the suitability of these drawings to the requirements of your particular project.

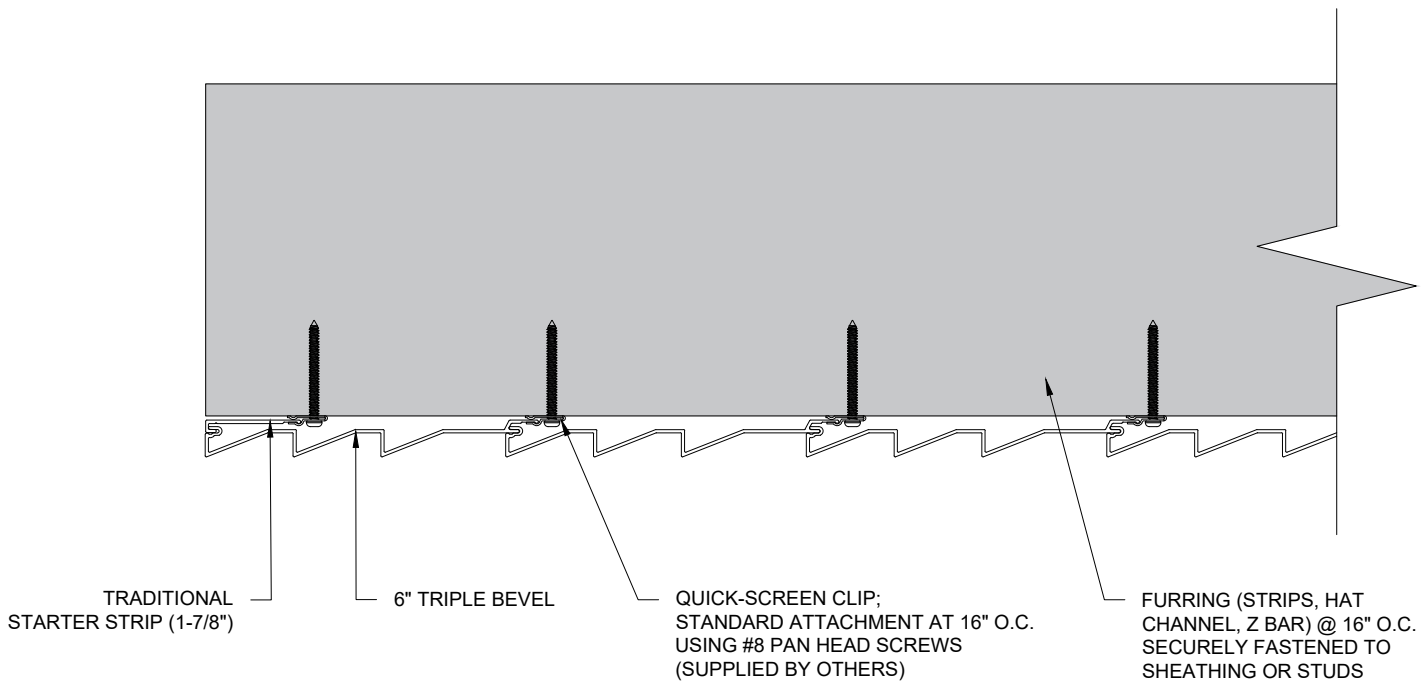
Mayne Coatings Corp. and Longboard products accepts no liability in respect to the use of these drawings.

For complete installation instructions refer to the appropriate documentation here [www.longboardproducts.com/resources/technical-documentation/installation-guides](http://www.longboardproducts.com/resources/technical-documentation/installation-guides)

## 6" SINGLE BEVEL WITH TRADITIONAL CORNER SET (2") INSIDE CORNER DETAIL

SCALE: 1:4





These drawings are published as an information guide only. These CAD drawings are intended as templates to assist the designer, they do not contain the full detail required for construction and must be read in conjunction with the installation instructions on [www.longboardproducts.com](http://www.longboardproducts.com). You should obtain architectural, engineering or other technical advice to assess the suitability of these drawings to the requirements of your particular project. Mayne Coatings Corp. and Longboard products accepts no liability in respect to the use of these drawings. For complete installation instructions refer to the appropriate documentation here [www.longboardproducts.com/resources/technical-documentation/installation-guides](http://www.longboardproducts.com/resources/technical-documentation/installation-guides)

## 6" TRIPLE BEVEL @ START OF WALL DETAIL

SCALE: 1:4



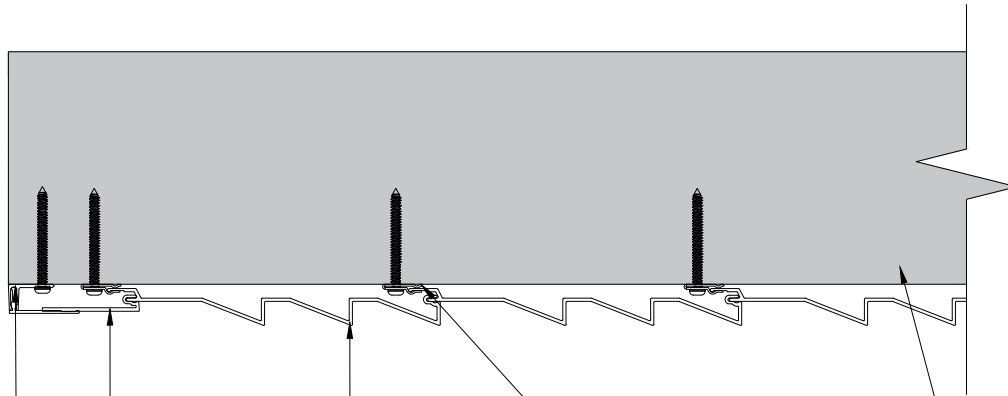
TRADITIONAL  
TWO PIECE J-TRACK  
(1-3/8")

6" SMOOTH PLANK

6" TRIPLE BEVEL

QUICK-SCREEN CLIP;  
STANDARD ATTACHMENT AT 16"  
O.C. USING #8 PAN HEAD  
SCREWS (SUPPLIED BY OTHERS)

FURRING (STRIPS, HAT  
CHANNEL, Z BAR) @ 16" O.C.  
SECURELY FASTENED TO  
SHEATHING OR STUDS

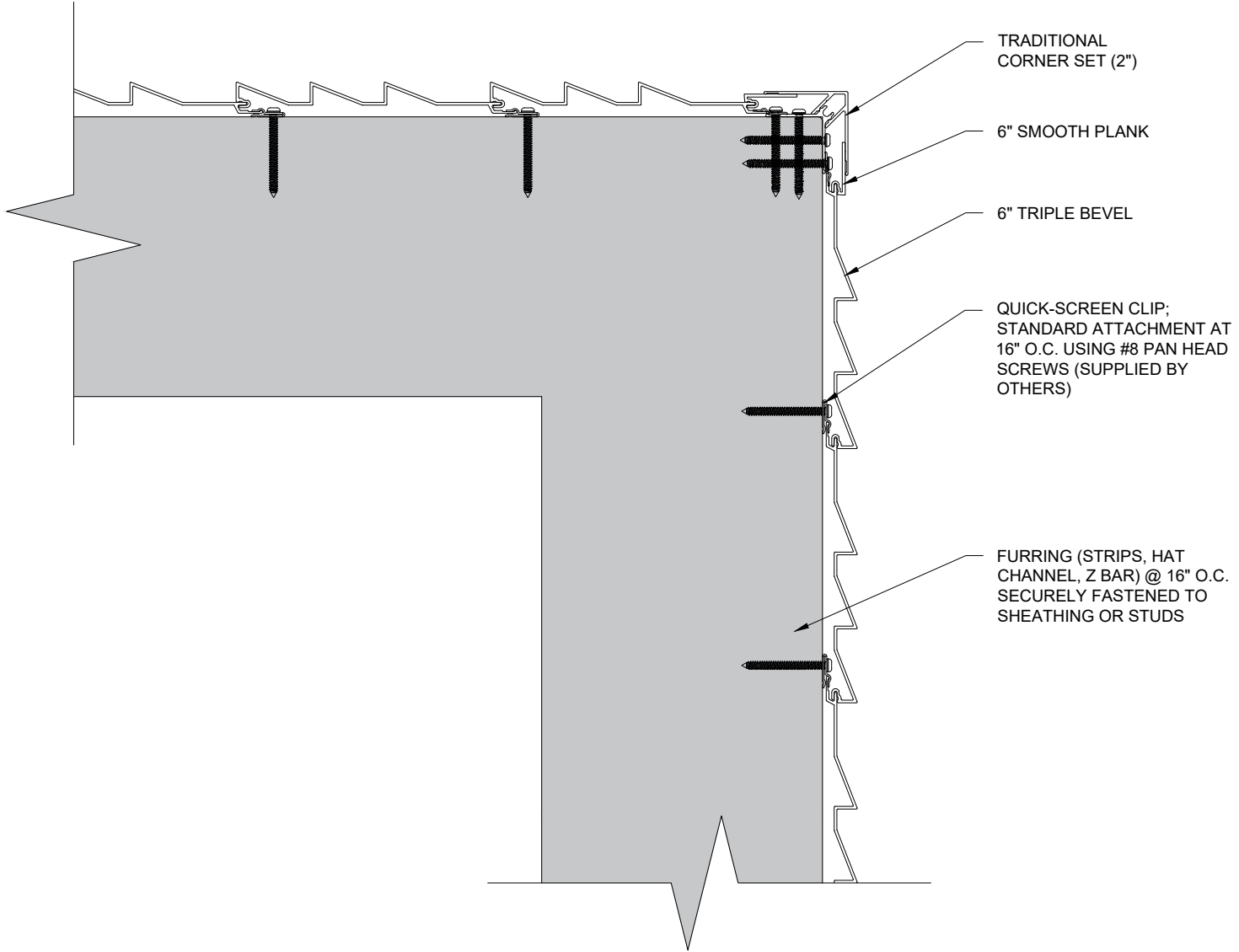


These drawings are published as an information guide only. These CAD drawings are intended as templates to assist the designer, they do not contain the full detail required for construction and must be read in conjunction with the installation instructions on [www.longboardproducts.com](http://www.longboardproducts.com). You should obtain architectural, engineering or other technical advice to assess the suitability of these drawings to the requirements of your particular project. Mayne Coatings Corp. and Longboard products accepts no liability in respect to the use of these drawings. For complete installation instructions refer to the appropriate documentation here [www.longboardproducts.com/resources/technical-documentation/installation-guides](http://www.longboardproducts.com/resources/technical-documentation/installation-guides)

## 6" TRIPLE BEVEL @ WALL TERMINATION DETAIL

SCALE: 1:4



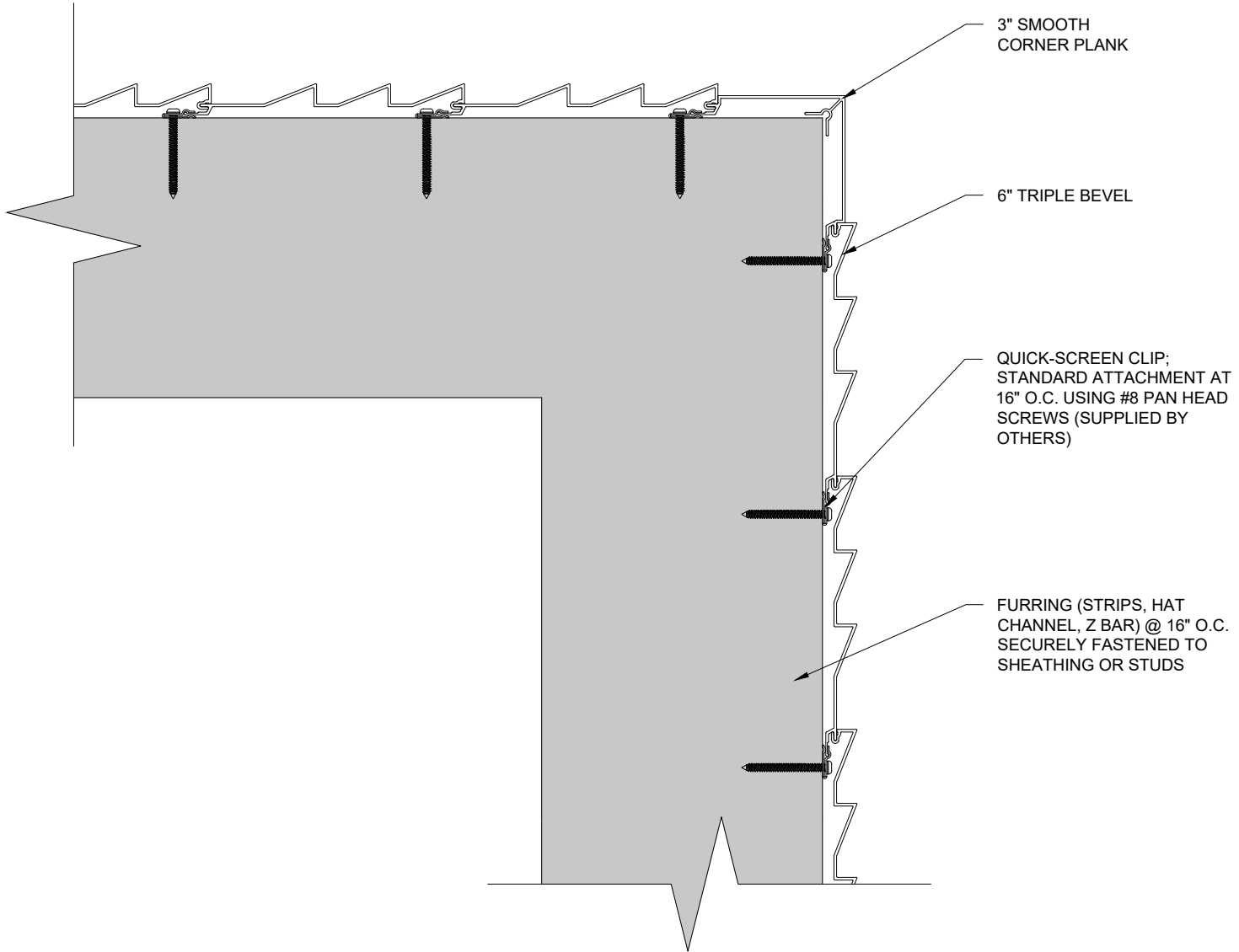


These drawings are published as an information guide only. These CAD drawings are intended as templates to assist the designer, they do not contain the full detail required for construction and must be read in conjunction with the installation instructions on [www.longboardproducts.com](http://www.longboardproducts.com). You should obtain architectural, engineering or other technical advice to assess the suitability of these drawings to the requirements of your particular project. Mayne Coatings Corp. and Longboard products accepts no liability in respect to the use of these drawings. For complete installation instructions refer to the appropriate documentation here [www.longboardproducts.com/resources/technical-documentation/installation-guides](http://www.longboardproducts.com/resources/technical-documentation/installation-guides)

## 6" TRIPLE BEVEL WITH TRADITIONAL CORNER SET (2") OUTSIDE CORNER DETAIL

SCALE: 1:4



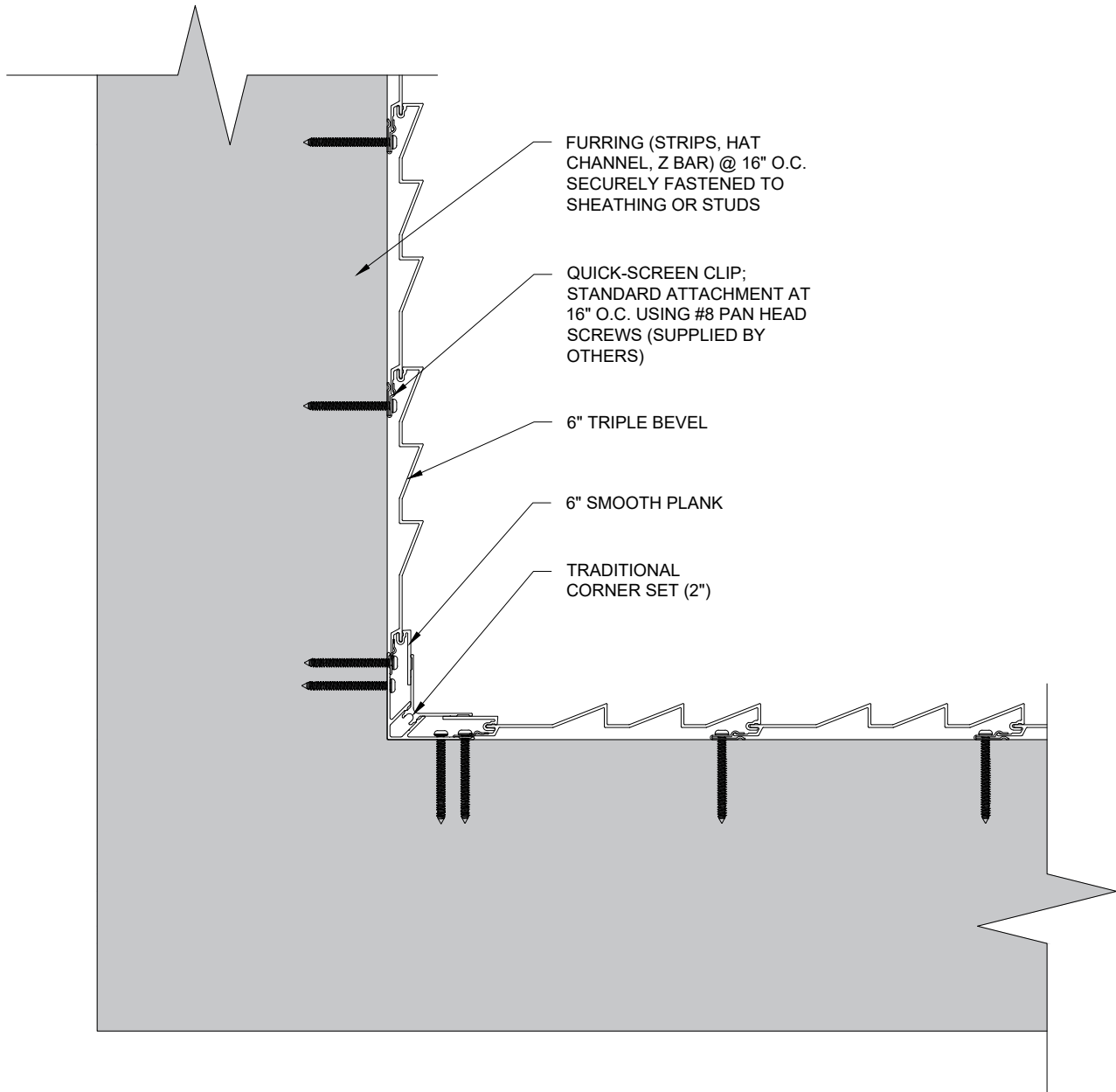


**6" TRIPLE BEVEL WITH 3" SMOOTH  
CORNER PLANK OUTSIDE CORNER DETAIL**

SCALE: 1:4

These drawings are published as an information guide only. These CAD drawings are intended as templates to assist the designer, they do not contain the full detail required for construction and must be read in conjunction with the installation instructions on [www.longboardproducts.com](http://www.longboardproducts.com). You should obtain architectural, engineering or other technical advice to assess the suitability of these drawings to the requirements of your particular project.  
Mayne Coatings Corp. and Longboard products accepts no liability in respect to the use of these drawings.  
For complete installation instructions refer to the appropriate documentation here [www.longboardproducts.com/resources/technical-documentation/installation-guides](http://www.longboardproducts.com/resources/technical-documentation/installation-guides)





These drawings are published as an information guide only. These CAD drawings are intended as templates to assist the designer, they do not contain the full detail required for construction and must be read in conjunction with the installation instructions on [www.longboardproducts.com](http://www.longboardproducts.com). You should obtain architectural, engineering or other technical advice to assess the suitability of these drawings to the requirements of your particular project.

Mayne Coatings Corp. and Longboard products accepts no liability in respect to the use of these drawings.

For complete installation instructions refer to the appropriate documentation here [www.longboardproducts.com/resources/technical-documentation/installation-guides](http://www.longboardproducts.com/resources/technical-documentation/installation-guides)

## 6" TRIPLE BEVEL WITH TRADITIONAL CORNER SET (2") INSIDE CORNER DETAIL

SCALE: 1:4

