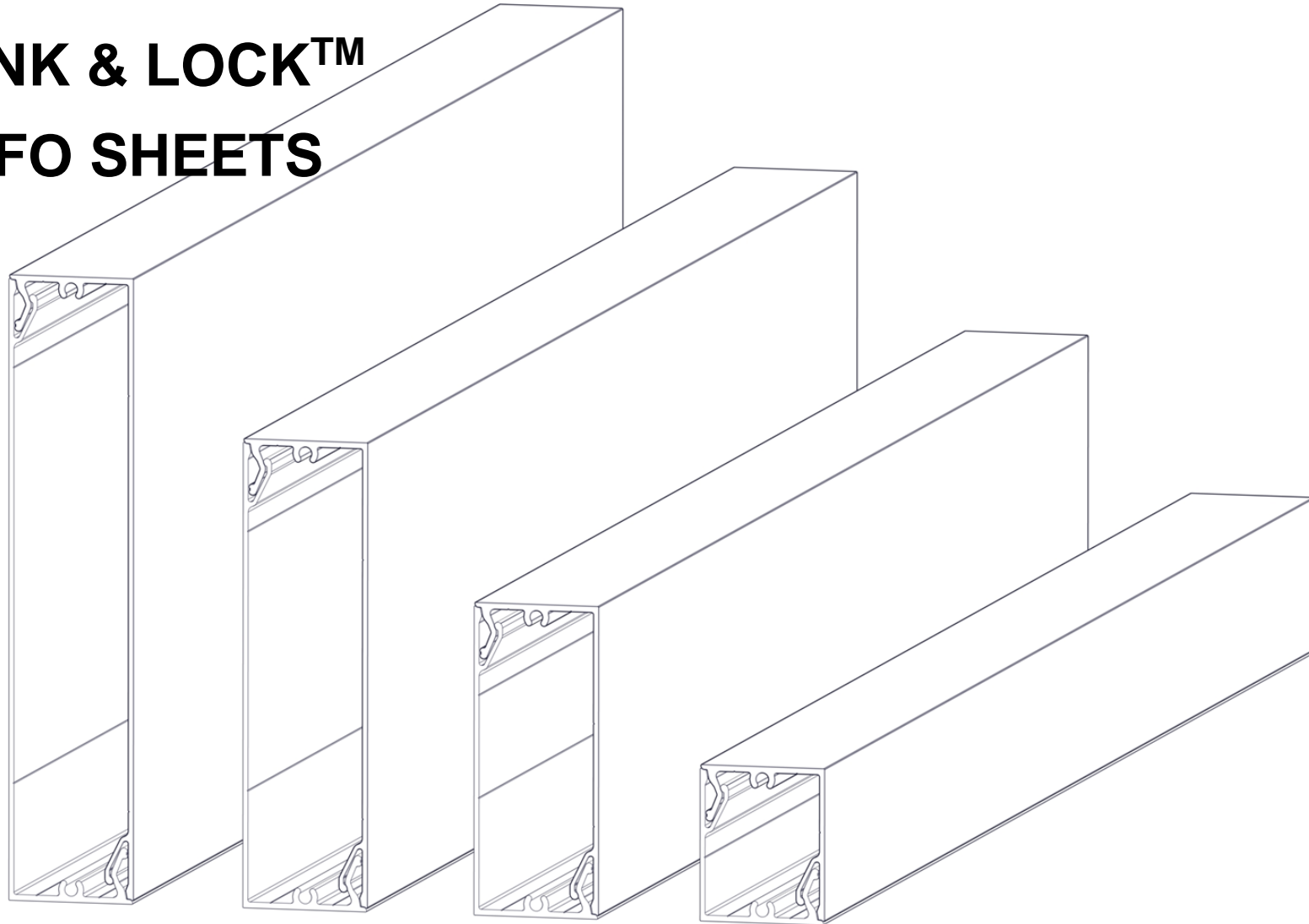


LINK & LOCK™
INFO SHEETS



L&L Dimensions

Finishes:

Woodgrains, Solid, Specialty

Custom Solid Color Matching - (Additional lead times apply)



2" Link & Lock



4" Link & Lock



6" Link & Lock



8" Link & Lock

Actual Sizes & Weights

L&L	Width	Depth	Length	Weight(lbs/LF) *per set
2"	2" (50.8mm)	1 5/8" (41.3mm)	12'/24'	0.93
4"	4" (101.6mm)	1 5/8" (41.3mm)	12'/24'	1.3
6"	6" (152.4mm)	1 5/8" (41.3mm)	12'/24'	1.6
8"	8" (203mm)	1 5/8" (41.3mm)	12'/24'	1.9
4"x4"	4" (101.6mm)	4" (101.6mm)	12'/24'	1.8
4"x6"	4" (101.6mm)	6" (152.4mm)	12'/24'	2.1

Physical data:

- 6063-T5 Extruded Aluminum
- 100% recyclable
- Warranty on Finish: 15 year (standard)/20 year* (ultra) (*10week lead time); Aluminum: 50 year

Link & Lock™ Battens

Size	12'	24'	End Caps (20/box)	End Mounts (20/box)
2"	2X2LL.145	2X2LL.289	2LLEC.2	2LLEM.2
4"	2X4LL.145	2X4LL.289	2LLEC.4	2LLEM.4
6"	2X6LL.145	2X6LL.289	2LLEC.6	2LLEM.6
8"	2X8LL.145	2X8LL.289	2LLEC.8	2LLEM.8

Mounting Accessories	Qty	SKU
Link & Lock Mounting Clip	48, bag	LLMC.N48
Dewalt® 1/2" Pilot Point Drill Bit	1	DRILLBT.05
24' Link & Lock Internal Stiffener	1	LLSTIFF.289
3M® Double Sided Adhesive Tape - 108'	1, roll	LLTAPE.1296

Link & Lock™ Box Battens

4 x 4"	4X4LL.145	4X4LL.289	4LLEC.4	-
4 x 6"	4X6LL.145	4X6LL.289	4LLEC.6	-



4"x4" Link & Lock



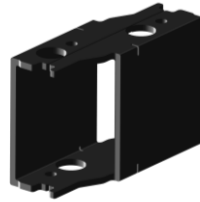
4"x6" Link & Lock

L&L Installation Components [See L&L Install Guide for details](#)



Mounting Clip:

- Nylon with embedded SS washer
- Used on Batten and Fin orientation to secure the back "L" to the substrate
- Included in order with L&L for 6' O.C. attachment
- Additional Clips purchased separately (48 pcs/box)



End Mount:

- Extruded 6063-T5 Aluminum Alloy, powder coated black
- Used for End-to-End attachment to provide a solid mount for the L&L set to wrap around and snap together
- Available for 2", 4", 6" & 8" L&L
- Purchased separately (20 pcs/box)



#12 Fastener (By others):

- Zinc-plated or Stainless Steel
- Used for attaching the back "L" to the substrate
- Use the correct fastener for the required project substrate
- Supplied by others



Internal Stiffener:

- Extruded 6063-T5 Aluminum Alloy (comes powder coated black)
- Used for reinforcing the 4", 6" & 8" L&L to allow for up to 12' spans between attachment points
- See Testing and Loading page for span allowance



1/2" Pilot Point Drill Bit:

- 1/2" Pilot Point Drill Bit
- Used for Drilling out the holes for mounting the L&L to the substrate
- See Install Guide for drilling details



Paint Pen:

- Color choices available
- Used for touch ups at the ends before installing End Caps
- Purchased separately



Double-sided Adhesive Tape:

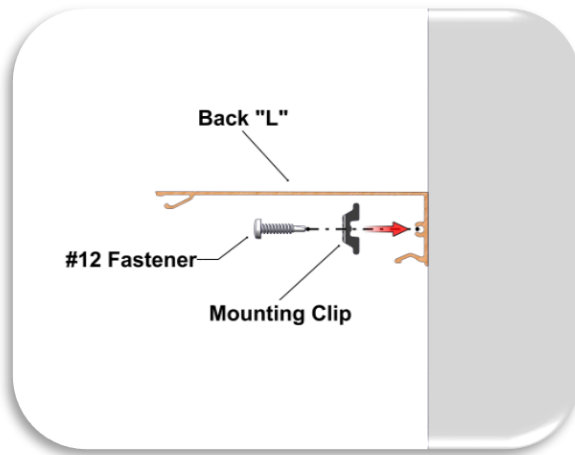
- 3M VHB Tape
- Used for attaching the Internal Stiffener to the back "L" of the L&L set
- Tape is placed in the center of the Stiffener

L&L Install Images

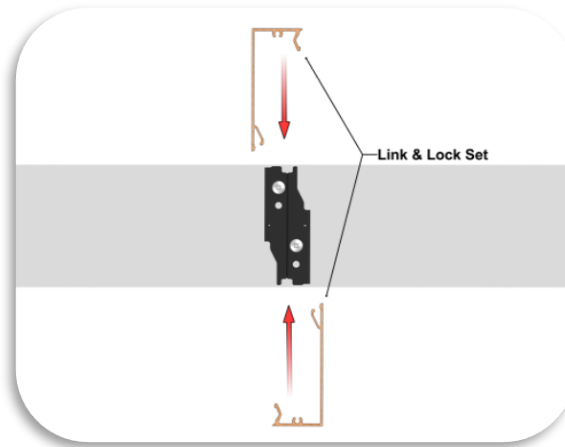
See L&L Install Guide for details

BIM & CAD: RVT & DWG files available, see website for details

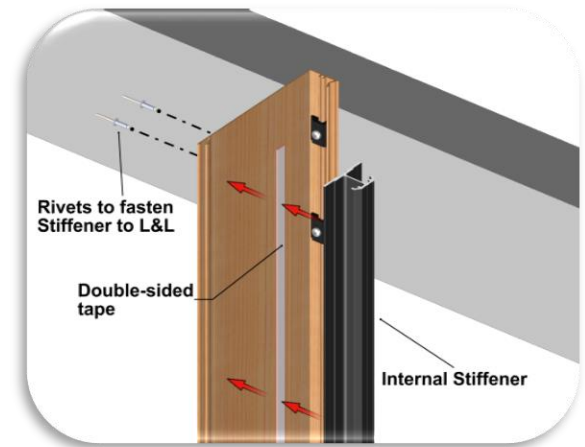
Mounting Clip (Fin orientation)



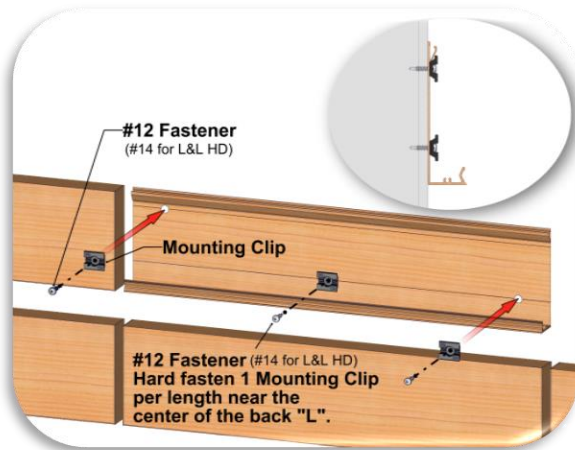
End Mount



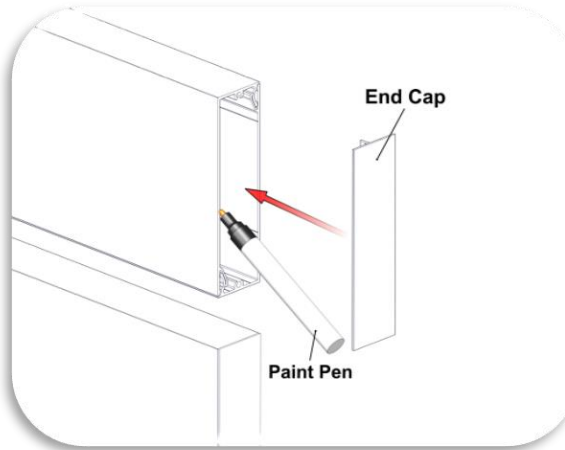
Internal Stiffener (with Double-sided Tape)



Mounting Clip (Batten orientation)



Paint Pen (for cut edges)



Drilling (Fin orientation)



L&L Testing Data and Allowable Spans

LONGBOARD
INSPIRING ARCHITECTURE

2" LINK & LOCK		PSF (FACTORED/ULTIMATE)									
		30	40	50	60	70	80	90	100	110	120
ALLOWABLE SPAN (ft)	4'	[Green]									
	6'	[Green]									
	8'	[Green]									
	10'	[Green]									

All testing has been performed using L/180 deflection limits

LONGBOARD
INSPIRING ARCHITECTURE

4" LINK & LOCK		PSF (FACTORED/ULTIMATE)										
		30	40	50	60	70	80	90	100	110	120	
ALLOWABLE SPAN (ft)	2'	[Green]										
	4'	[Green]										
	6'	[Green]										
	8'	[Green]										

All testing has been performed using L/180 deflection limits

LONGBOARD
INSPIRING ARCHITECTURE

6" LINK & LOCK		PSF (FACTORED/ULTIMATE)									
		30	40	50	60	70	80	90	100	110	120
ALLOWABLE SPAN (ft)	2'	[Green]									
	4'	[Green]									
	6'	[Green]									

All testing has been performed using L/180 deflection limits

LONGBOARD
INSPIRING ARCHITECTURE

8" LINK & LOCK		PSF (FACTORED/ULTIMATE)									
		30	40	50	60	70	80	90	100	110	120
ALLOWABLE SPAN (ft)	2'	[Green]									
	4'	[Green]									
	6'	[Green]									

All testing has been performed using L/180 deflection limits

LONGBOARD
INSPIRING ARCHITECTURE

4x4 LINK & LOCK		PSF (FACTORED/ULTIMATE)										
		30	40	50	60	70	80	90	100	110	120	
ALLOWABLE SPAN (ft)	8'	[Green]										
	10'	[Green]										
	12'	[Green]										

All testing has been performed using L/180 deflection limits

LONGBOARD
INSPIRING ARCHITECTURE

4x6 LINK & LOCK		PSF (FACTORED/ULTIMATE)									
		30	40	50	60	70	80	90	100	110	120
ALLOWABLE SPAN (ft)	8'	[Green]									
	10'	[Green]									
	12'	[Green]									


All testing has been performed using L/180 deflection limits


Testing:
ICC-ESR 4183 Evaluation Report - Division: 05 00 00 – METALS
 • Section: 05 50 00 - Metal Fabrications

LARR - Los Angeles Department of Building Safety (LADBS) accepts ICC-ES reports as proof of compliance

Florida Product Code: FL41842

International Building Code (IBC), International Residential Code (IRC)
 California Building Code (CBC), California Residential Code (CRC)
 City of Los Angeles Building Code (LABC)
 City of Los Angeles Residential Code (LARC)
 Florida Building Code – Building, Florida Building Code - Residential

 Fire Rating: Class A Non-Combustible by ASTM E136 & ASTM E84

 Light Reflectance: 5% (Black) up to 73.2% (Ultra White)

L&L Allowable Spans with Stiffener

LONGBOARD
INSPIRING ARCHITECTURE

4" LINK & LOCK W. STIFFENER		PSF (FACTORED/ULTIMATE)																			
		30	40	50	60	70	80	90	100	110	120										
ALLOWABLE SPAN (ft)	**4'	Green	Green	Green	Green	Green	Green	Green	Green	Green	Green	Green	Green	Green	Green	Green	Green	Green	Green	Green	Green
	**6'	Green	Green	Green	Green	Green	Green	Green	Green	Green	Green	Green	Green	Green	Green	Green	Green	Green	Green	Green	Green
	**8'	Green	Green	Green	Green	Green	Green	Green	Green	Green	Green	Green	Green	Green	Green	Green	Green	Green	Green	Green	Green
	**10'	Green	Green	Green	Green	Green	Green	Green	Green	Green	Green	Green	Green	Green	Green	Green	Green	Green	Green	Green	Green
	**12'	Green	Green	Green	Green	Green	Green	Green	Green	Green	Green	Green	Green	Green	Green	Green	Green	Green	Green	Green	Green

All testing has been performed using L/180 deflection limits
**Using Longboard Link & Lock Internal Stiffener

LONGBOARD
INSPIRING ARCHITECTURE

6" LINK & LOCK W. STIFFENER		PSF (FACTORED/ULTIMATE)																			
		30	40	50	60	70	80	90	100	110	120										
ALLOWABLE SPAN (ft)	**4'	Green	Green	Green	Green	Green	Green	Green	Green	Green	Green	Green	Green	Green	Green	Green	Green	Green	Green	Green	Green
	**6'	Green	Green	Green	Green	Green	Green	Green	Green	Green	Green	Green	Green	Green	Green	Green	Green	Green	Green	Green	Green
	**8'	Green	Green	Green	Green	Green	Green	Green	Green	Green	Green	Green	Green	Green	Green	Green	Green	Green	Green	Green	Green
	**10'	Green	Green	Green	Green	Green	Green	Green	Green	Green	Green	Green	Green	Green	Green	Green	Green	Green	Green	Green	Green

All testing has been performed using L/180 deflection limits
**Using Longboard Link & Lock Internal Stiffener

LONGBOARD
INSPIRING ARCHITECTURE

8" LINK & LOCK W. STIFFENER		PSF (FACTORED/ULTIMATE)																			
		30	40	50	60	70	80	90	100	110	120										
ALLOWABLE SPAN (ft)	**2'	Green	Green	Green	Green	Green	Green	Green	Green	Green	Green	Green	Green	Green	Green	Green	Green	Green	Green	Green	Green
	**4'	Green	Green	Green	Green	Green	Green	Green	Green	Green	Green	Green	Green	Green	Green	Green	Green	Green	Green	Green	Green
	**6'	Green	Green	Green	Green	Green	Green	Green	Green	Green	Green	Green	Green	Green	Green	Green	Green	Green	Green	Green	Green
	**8'	Green	Green	Green	Green	Green	Green	Green	Green	Green	Green	Green	Green	Green	Green	Green	Green	Green	Green	Green	Green

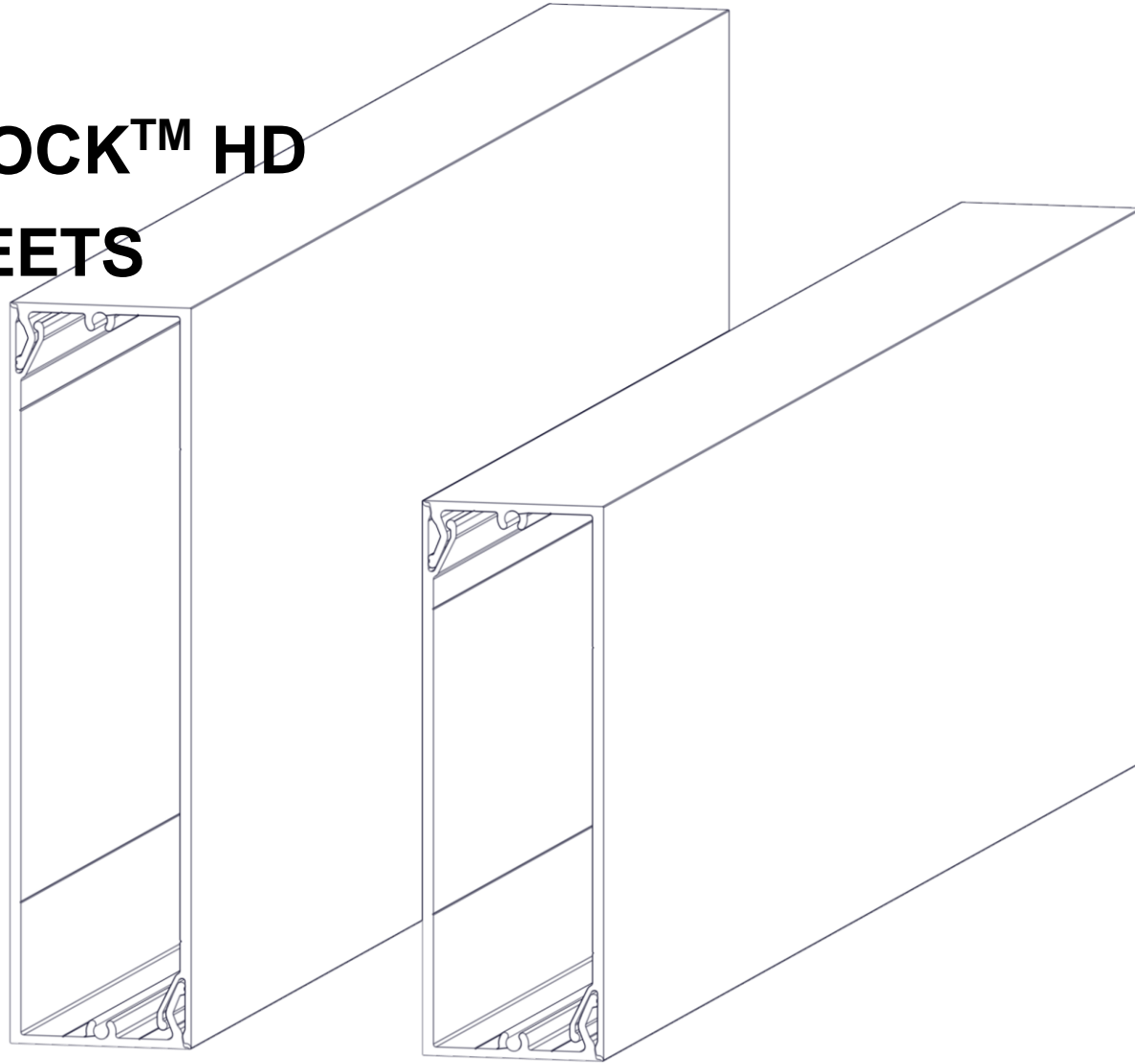
All testing has been performed using L/180 deflection limits
**Using Longboard Link & Lock Internal Stiffener



LONGBOARD®
INSPIRING ARCHITECTURE

LINK & LOCK™ HD

INFO SHEETS



L&L HD Components

Finishes:
Woodgrains, Solid, Specialty
Custom Solid Color Matching - (Additional lead times apply)



4" Link & Lock HD



6" Link & Lock HD



8" Link & Lock HD



**Link & Lock HD
End Mount**

Actual Sizes & Weights

L&L	Width	Depth	Length	Weight(lbs/LF) *per set
4"	4" (101.6mm)	2" (50.8mm)	12'/24'	1.7
6"	6" (152.4mm)	2" (50.8mm)	12'/24'	2.4
8"	8" (203mm)	2" (50.8mm)	12'/24'	3

Size	12'	24'	End Caps (20/box)	End Mounts (20/box)
4"	2X4LLHD.145	2X4LLHD.289	2LLHDEC.4	2LLHDEM.4
6"	2X6LLHD.145	2X6LLHD.289	2LLHDEC.6	2LLHDEM.6
8"	2X8LLHD.145	2X8LLHD.289	2LLHDEC.8	2LLHDEM.8
Mounting Accessories			Qty	SKU
Link & Lock Mounting Clip			48, bag	LLMC.N48
Dewalt® 1/2" Pilot Point Drill Bit			1	DRILLBT.05

Physical data:

- 6063-T5 Extruded Aluminum
- 100% recyclable
- Warranty on Finish: 15 year (standard)/20 year* (ultra) (*10week lead time); Aluminum: 50 year

BIM & CAD:

- RVT & DWG files to be available



Mounting Clip:

- Nylon with embedded SS washer
- Used on Batten and Fin orientation to secure the back "L" to the substrate
- Included in order with L&L for 6' O.C. attachment
- Additional Clips purchased separately (48 pcs/bag)



#14 Fastener

-Eng. & Load Dependent (By others):

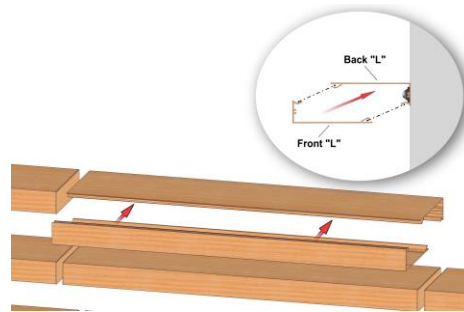
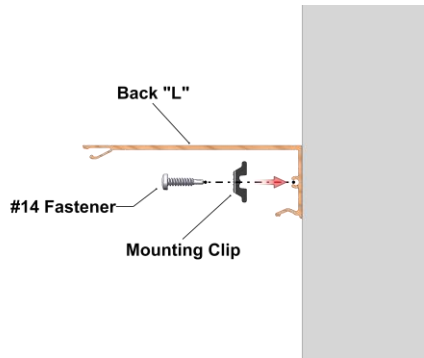
- Zinc-plated or Stainless Steel
- Used for attaching the back "L" to the substrate
- Use the correct fastener for the required project substrate
- Supplied by others



1/2" Pilot Point Drill Bit:

- 1/2" Pilot Point Drill Bit
- Used for Drilling out the holes for mounting the L&L to the substrate
- See Install Guide for drilling details

L&L HD Installation, Testing Data & Allowable Spans See L&L Install Guide for details



**Fastening
Fin Orientation**



**Fastening
Batten Orientation**

Testing: (In Development)

ICC-ES Evaluation Report -
Division: 05 00 00 – METALS

- Section: 05 50 00 - Metal Fabrications

LARR - Los Angeles Department of
Building Safety (LADBS) accepts
ICC-ES reports as proof of
compliance

International Building Code (IBC)
International Residential Code (IRC)
California Building Code (CBC)
California Residential Code (CRC)
City of Los Angeles Building Code (LABC)
City of Los Angeles Residential Code (LARC)
Florida Building Code – Building
Florida Building Code - Residential

☀️ Light Reflectance: 5% (Black) up to
73.2% (Ultra White)

🔥 Fire Rating: Class A Non-Combustible
by ASTM E136 & ASTM E84

LONGBOARD® INSPIRING ARCHITECTURE		PSF (FACTORED/ULTIMATE)										
4" LINK & LOCK HD		30	40	50	60	70	80	90	100	110	120	
ALLOWABLE SPAN (ft)	6'	[Green]										
	8'	[Green]							[White]			
	10'	[Green]				[White]						
	12'	[Green]			[White]							

All testing has been performed using L/180 deflection limits

LONGBOARD® INSPIRING ARCHITECTURE		PSF (FACTORED/ULTIMATE)										
6" LINK & LOCK HD		30	40	50	60	70	80	90	100	110	120	
ALLOWABLE SPAN (ft)	8'	[Green]					[White]					
	10'	[Green]				[White]						
	12'	[Green]		[White]								

All testing has been performed using L/180 deflection limits

LONGBOARD® INSPIRING ARCHITECTURE		PSF (FACTORED/ULTIMATE)										
8" LINK & LOCK HD		30	40	50	60	70	80	90	100	110	120	
ALLOWABLE SPAN (ft)	4'	[Green]										
	6'	[Green]						[White]				
	8'	[Green]				[White]						
	10'	[Green]		[White]								

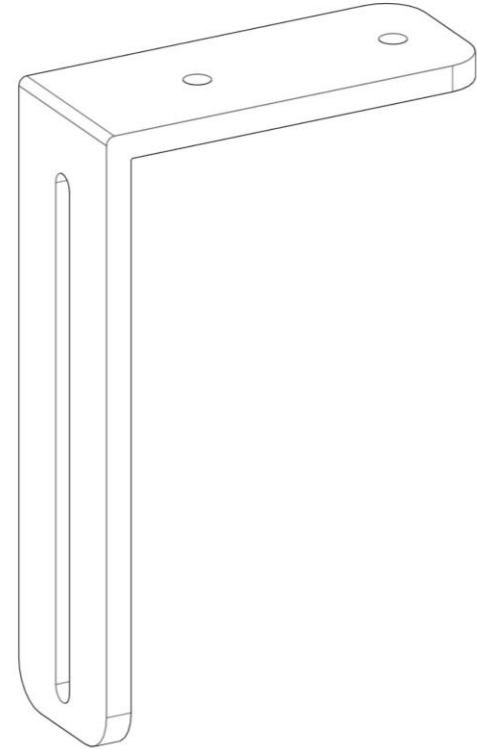
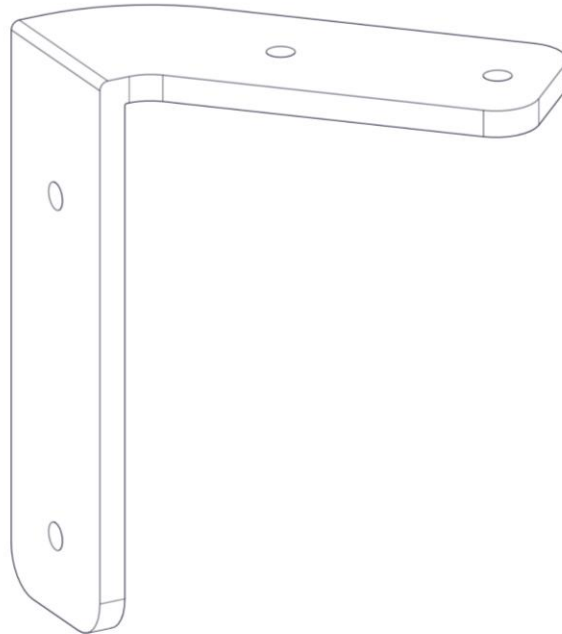
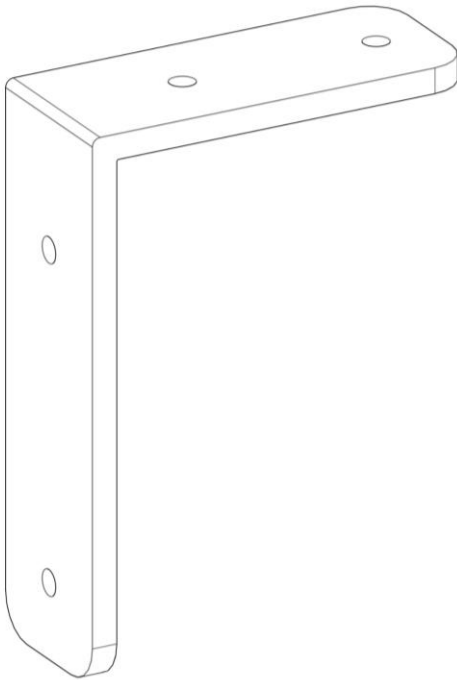
All testing has been performed using L/180 deflection limits



LONGBOARD®
INSPIRING ARCHITECTURE

LINK & LOCK™ BRACKETS

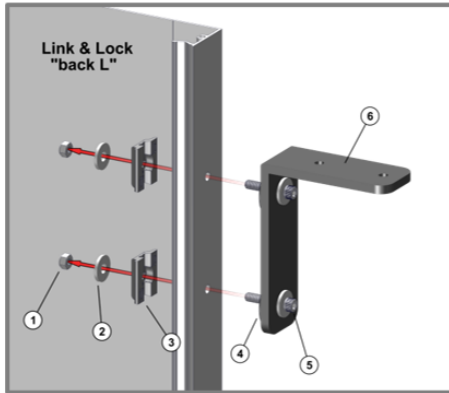
INFO SHEETS



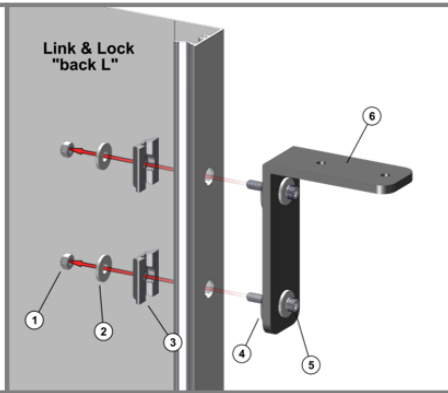
L&L Bracket Components

Single Bracket for horizontal substrate

Fixed Bracket (Hard fastened with 1/4" holes)

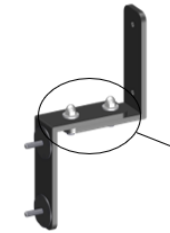
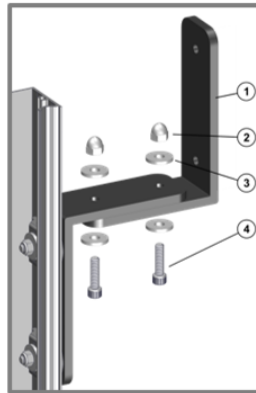


Fixed Bracket (Expansion 1/2" holes)



No.	Description	Material	Qty
1	1/4" -20 Locknut	Stainless Steel Nylon-Insert	2
2	Washer, 1/4" screw size, 0.75" OD	Stainless Steel	4
3	Link & Lock Mounting Clip	Nylon w. Stainless Washer	2
4	Self-Retaining Washer for 1/4" size	Nylon, Black	2
5	1/4" -20 Socket Head Screw, 1-1/4" length	Stainless Steel	2
6	Link & Lock Bracket -90 Center Fixed	6005A Aluminum	1

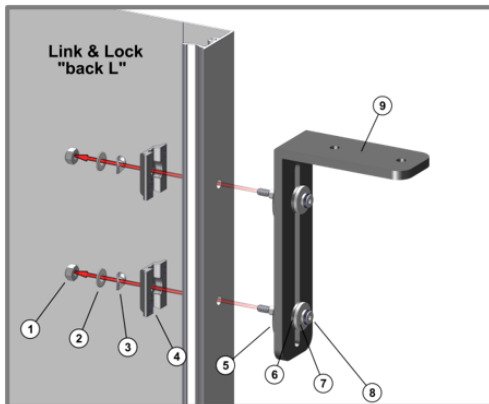
Dual Bracket for vertical substrate



Dual Bracket components are pre-assembled by manufacturer. Do not adjust or remove unless authorized by the manufacturer.

No.	Description	Material	Qty
1	Link & Lock Dual Bracket -90 Center Fixed	6005A Aluminum	1
2	Distorted-Thread Cap Locknut	Stainless Steel	2
3	Washer, 1/4" screw size, 0.75" OD	Stainless Steel	4
4	7/8" Socket Head Screw	Stainless Steel	2

Sliding Bracket (Use 1/4" holes)



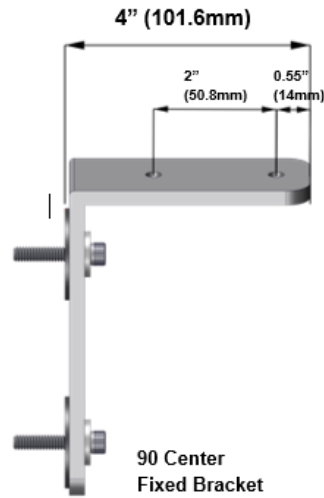
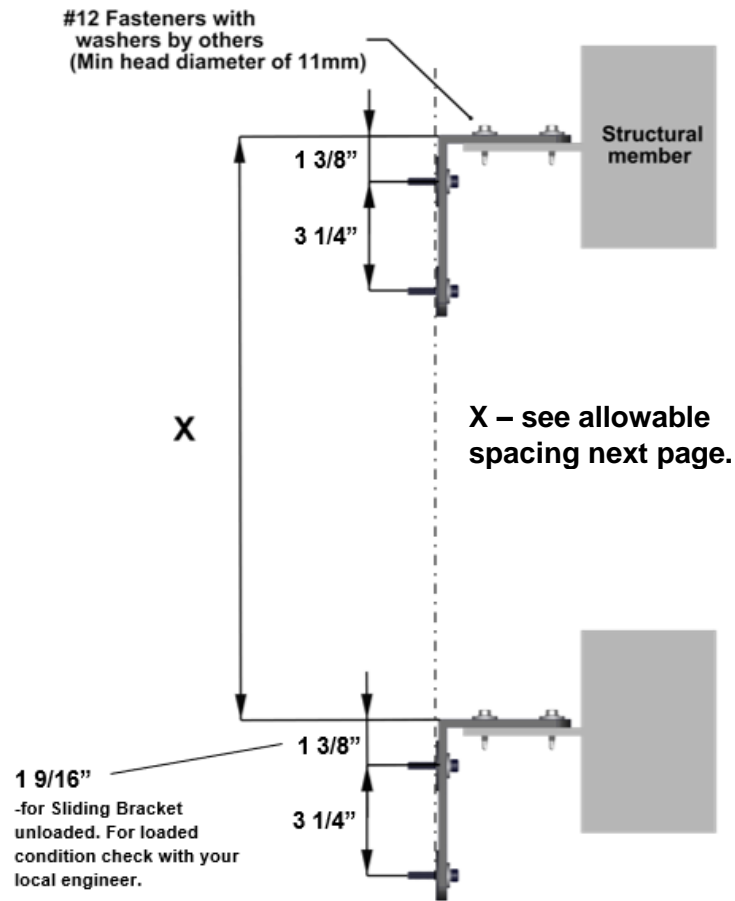
Link & Lock™ Mounting Brackets

Product	Single	Dual
45° LEFT FIXED	LLMBK.45LF	LLMDK.45LF
45° RIGHT FIXED	LLMBK.45RF	LLMDK.45RF
90° CENTER FIXED	LLMBK.90F	LLMDK.90F
45° LEFT SLIDING	LLMBK.45LS	LLMDK.45LS
45° RIGHT SLIDING	LLMBK.45RS	LLMDK.45RS
90° CENTER SLIDING	LLMBK.90S	LLMDK.90S




No.	Description	Material	Qty
1	10-24 Locknut	Stainless Steel Nylon-Insert	2
2	Washer, #10 screw size, 0.5" OD	Stainless Steel	2
3	Single-Wave Washer, 0.5" OD	Stainless Steel	2
4	Link & Lock Mounting Clip	Nylon w. Stainless Washer	2
5	Self-Retaining Washer for 1/4" screw size	Nylon, Black	2
6	Plastic Washer, 1/4" screw size, 0.734 OD	Nylon, Black	2
7	Washer, 1/4" screw size, 0.75" OD	Stainless Steel	2
8	1/4" Shoulder screw, 1" Shoulder length 10-24 Thread	Stainless Steel	2
9	Link & Lock Bracket -90 Center Sliding	6005A Aluminum	1

L&L Bracket Dimensions



Tools for Bracket Install to L&L

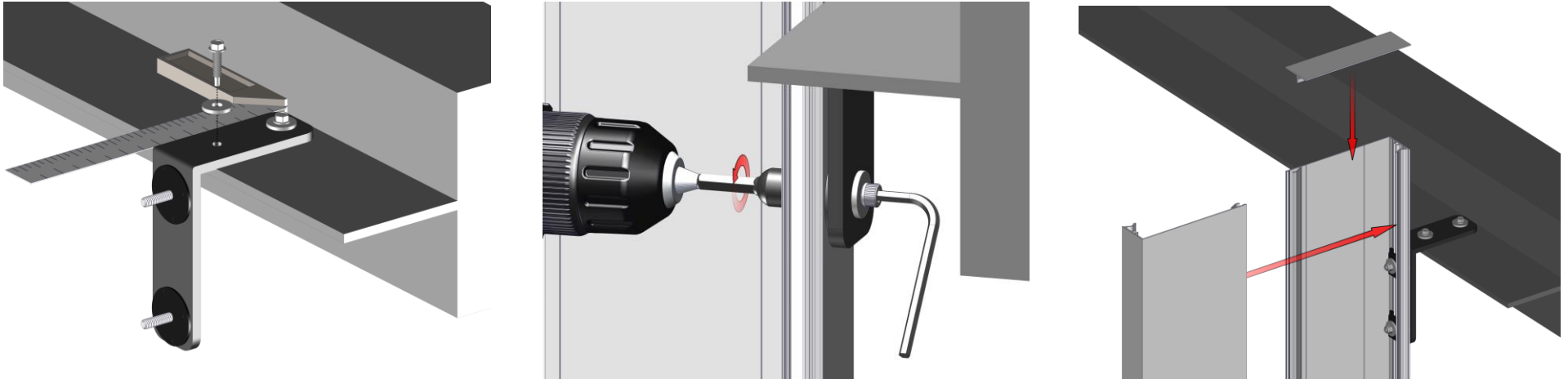


Nut Driver
7/16" Fixed Brackets
3/8" Sliding Brackets

Allen Key
3/16" Fixed Brackets
1/8" Sliding Brackets

L&L Bracket Installation, Load Data & Allowable Spacing

See [L&L Install Guide](#) for details



LINK & LOCK™ BATTEN	LINK & LOCK™ BRACKET MAX. SPACING (FT)									
	WIND LOAD PSF (FACTORED/ULTIMATE)									
	30	40	50	60	70	80	90	100	110	120
1-5/8" x 2"	10'	8'	6'				4'			
1-5/8" x 4"	8'	6'	4'			2'				
1-5/8" x 4" w. Internal Stiffener	12'	10'	8'	6'			4'			
1-5/8" x 6"	6'		4'				3'		2'	
1-5/8" x 6" w. Internal Stiffener	10'	8'	6'	4'			3'			
1-5/8" x 8"	6'	4'	2'							
1-5/8" x 8" w. Internal Stiffener	8'	6'	4'		3'			2'		
2" x 4" HD	12'		10'	8'	6'			4'		
2" x 6" HD	10'	8'	6'	4'			3'			
2" x 8" HD	8'	6'	4'		3'			2'		

Recommended torque value for Link & Lock™ to Bracket attachment:

note 1 Factored Wind Load: max. **168 LBS/EA** Bracket

note 2 Factored Dead Load: max. **29 LBS/EA** Fixed Bracket

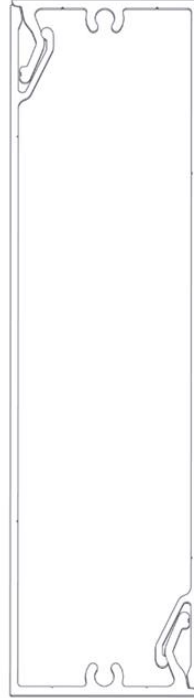
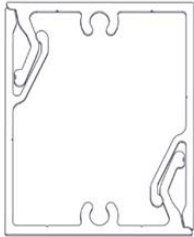
note 3 Fixed Bracket 1/4" -20 Socket Head Screw, **60 in/lbs** + prevailing torque of self-locking nut

note 4 Sliding Bracket 1/4" Shoulder Socket Head Screw (#10-24 thread), **20 in/lbs** + prevailing torque of self-locking nut

March 22, 2024



LONGBOARD®
INSPIRING ARCHITECTURE



Link & Lock™ Soffit

Installation Guidelines

Table of Contents

Material Specifications	3
Finishes	3
Expansion and contraction	3
Material ordering and deliveries	3
Storage and handling	3
Cleaning	3
Warranty	3
Graffiti Removal	4
Components	5
Components (Typical)	5
Tools/Cutting/Fastening	6
Tools	6
Cutting	6
Fastening	7
Fastener types	7
Framing requirements	8
System Install	9
Install details	9
Typical dimensions	9
System layout & Install steps	10
Perimeter and field area limitations	10
Preparation drilling for Install	11
Butt-Joints & Lap Joints	12
Batten orientation	13
Fin orientation	14
End to End orientation	15-16
Large spans with Stiffener	17-19
Link & Lock HD	20
4x4 & 4x6 Link & Lock	21
Link & Lock Brackets	22-26
Appendix	27
Tables - Expansion & contraction	27
Tables – Allowable attachment span	28-31
Handling and care of products	32
Blank Page	33
Contact Info	34

Material Specifications

Finishes

- Longboard Products are available in a wide range of powder coated finishes
- Custom solid colors are available upon request

Longboard extruded products are produced 1" (25mm) oversized, as one end is drilled for the coating process and both ends have 1/2" (12mm) of masking tape (woodgrains only) which must be cut off for best results.

Expansion & Contraction

Link & Lock components expand & contract 1/4" (6mm) over 24' (7.3m) along the length, measured over a 30°C (54°F) temperature range. Due to this range of movement, Link & Lock Fins/Louvers/Battens should be installed with staggered butt-joints, leaving a 1/4" (6mm) min. gap, every 24' (7.3m) min. Alternatively, staggered lap-joints are an option for a continuous appearance, however 1/4" (6mm) gaps should be left at each joint to allow for thermal movement. Be sure to lap joints by 2' (610mm) minimum over the back "L". See **Appendix for Tables 1 & 2, expansion/contraction calculations per foot/meter of material.**

Material Ordering & Delivery

-
- **Packaging:** Link & Lock is sold by the set (pair) and in widths of 2", 4", 6", 8"
End caps are sold by the box: 20 caps/bx
End Mounts are sold by the box: 20 mounts/bx
Stiffener is sold in 24' lengths (includes Double-sided Tape)
-
- **Ship/Receiving:** Most Popular Finishes -ready to ship within 1 week
Additional Finishes -ready to ship within 14 weeks
Delivered on 24' (7.3m) long skids weighing up to 2000 lbs. A mechanical lift with forks is required on site to receive the order.
-
- **QC:** Always inspect the delivery for damage and contact LB ASAP if there are any issues: info@longboardproducts.com or 1-800-604-0343 and include your PO# and any pictures if possible. Mark the delivery receipt as "damaged" and accept the delivery as-is. Longboard is not responsible for the installation of blemished or damaged material.

Storage & Handling

Be sure to store the material flat, keep it dry, safe & secure and remain in unopened cartons until ready to be installed. See **Appendix for proper handling and care instructions.**

Cleaning Recommendations

- Initial and periodic cleaning for best looking product
- Basic methods use a combination of moderate water pressure, soft sponge/brush and a mild detergent (Safe for your hands, safe for the product)

⚠ NEVER use aggressive, acid or alkaline cleaners on Longboard finishes. Do not use cleaners containing Trisodium Phosphate, Phosphoric Acid, Hydrochloric Acid, Hydrofluoric Acid, Fluorides, or any other compound that is known to react with metal.

***See Cleaning Guide for full requirements & cleaning schedule:**
longboardproducts.com/resources/care-maintenance.com

Warranty

Upon substantial completion of the project, register for warranty online here: longboardproducts.com/warranty

⚠ Registration is required for the warranty to be in effect.

Graffiti Removal

Standard Woodgrain

Use Standard soap & water only

D2000 Solid Color

	Prosoco Cleaner	MEK Solvent
Permanent Marker	<input checked="" type="checkbox"/>	<input checked="" type="checkbox"/>
Oil Based Spray Paint	<input checked="" type="checkbox"/>	<input checked="" type="checkbox"/>
Water Based Spray Paint	<input checked="" type="checkbox"/>	<input checked="" type="checkbox"/>
Adhesive Tape	<input checked="" type="checkbox"/>	<input checked="" type="checkbox"/>

MEK Solvent

Prosoco Anti-Graffiti Cleaner

SPECIAL ORDER - EXT. LEAD TIMES CONTACT LB

Anti-Graffiti High Gloss Woodgrain

	MEK Solvent
Permanent Marker	<input checked="" type="checkbox"/>
Oil Based Spray Paint	<input checked="" type="checkbox"/>
Water Based Spray Paint	<input checked="" type="checkbox"/>
Adhesive Tape	<input checked="" type="checkbox"/>

MEK Solvent

Note: Cleaning the surface with a cleanser that is not diluted as per instructions, may result in damage to the coating.

Components

Components (Typical)

The Link & Lock™ system consists of two (2) matching L-shaped extrusions, snapped together to make a complete set. For all LB components go to longboardproducts.com.

Link & Lock™ Battens

Size	12'	24'	End Caps (20/box)	End Mounts (20/box)
2"	2X2LL.145	2X2LL.289	2LLEC.2	2LLEM.2
4"	2X4LL.145	2X4LL.289	2LLEC.4	2LLEM.4
6"	2X6LL.145	2X6LL.289	2LLEC.6	2LLEM.6
8"	2X8LL.145	2X8LL.289	2LLEC.8	2LLEM.8

Link & Lock™ HD Battens

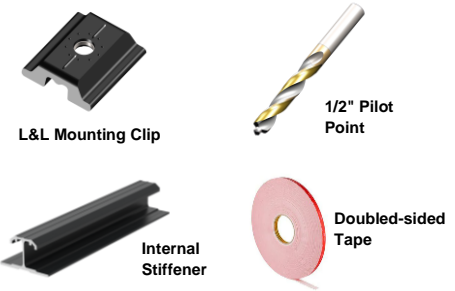
4"	2X4LLHD.145	2X4LLHD.289	2LLHDEC.4	2LLHDEM.4
6"	2X6LLHD.145	2X6LLHD.289	2LLHDEC.6	2LLHDEM.6
8"	2X8LLHD.145	2X8LLHD.289	2LLHDEC.8	2LLHDEM.8

Link & Lock™ Box Battens

4 x 4"	4X4LL.145	4X4LL.289	4LLEC.4	-
4 x 6"	4X6LL.145	4X6LL.289	4LLEC.6	-



Mounting Accessories	Qty	SKU
Link & Lock Mounting Clip	48, bag	LLMC.N48
Dewalt® 1/2" Pilot Point Drill Bit	1	DRILLBT.05
24' Link & Lock Internal Stiffener	1	LLSTIFF.289
3M® Double Sided Adhesive Tape - 108'	1, roll	LLTAPE.1296



Link & Lock™ Mounting Brackets


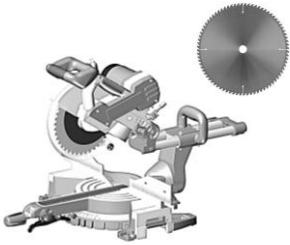

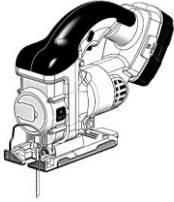

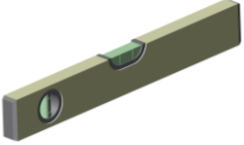


Product	Single	Dual
45° LEFT FIXED	LLMBK.45LF	LLMDK.45LF
45° RIGHT FIXED	LLMBK.45RF	LLMDK.45RF
90° CENTER FIXED	LLMBK.90F	LLMDK.90F
45° LEFT SLIDING	LLMBK.45LS	LLMDK.45LS
45° RIGHT SLIDING	LLMBK.45RS	LLMDK.45RS
90° CENTER SLIDING	LLMBK.90S	LLMDK.90S



Tools/Cutting/Fastening

Tools

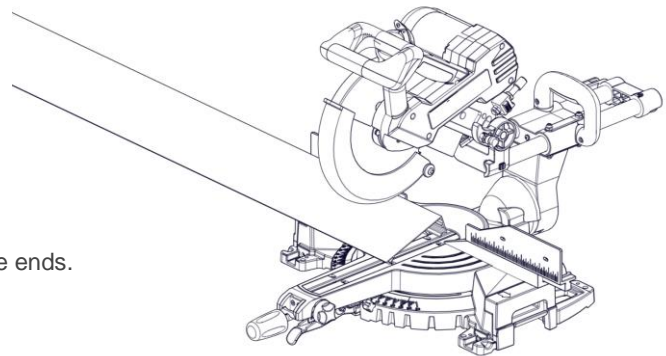
Commonly used tools for Link & Lock install.

			
Table Saw with Carbide Metal Blade Non-ferrous 60-80T (for cutting aluminum)	Miter Saw with Carbide Metal Blade Non-ferrous 60-80T (for cutting aluminum)	Cordless Drill with clutch	Jig Saw (for protrusions)
			
Rubber Mallet (or Hammer)	Level	Hole Saw (for lighting fixtures)	Quick Grip Bar Clamp

Cutting

⚠ Always be sure to wear appropriate PPE: eye & hearing protection.

Cut battens using a Miter Saw and Table Saw always allowing for expansion & contraction. Trim the taped/drilled ends of all stock length material by at least **1/2" (12mm) each end** and discard.



⚠ **DO NOT** Install Link & Lock without trimming the ends.

Fastening

Longboard Link & Lock™ consists of two (2) matching L-shaped extrusions, snapped together to make a complete set. The back “L” is mechanically fastened to the substrate, using Longboard **Mounting Clips** fastened every **6-8’ O.C. up to 12ft when using Stiffeners** with #12 (#14 for L&L HD) sharp-point screws (for wood substrates) or self-drilling (for metal substrates). The Mounting Clips are included in the order for 6’ spacings.

Fasteners must be corrosion resistant and comply with all local building codes.

⚠ All fasteners should be suitable for exterior use and be compatible with the substrate type. **Fasteners should be anchored into a solid secure substrate.**

Layout and predrill the back “L” at all fastener locations. Refer to **Preparation drilling for Install** for hole dimensions and further details.

⚠ See **Appendix for project specific fastener spacing:**
Allowable Span - Tables 3-15

Fastener Types/Sizes for L&L		
L&L	Pan Head	Hex Head
2”	#12	#12
4”	#12	#12
6”	#12	#12
8”	#12	#12
4”x4”	#12	#12
4”x6”	#12	#12
4” HD	#14	#14
6” HD	#14	#14
8” HD	#14	#14

Fastener types

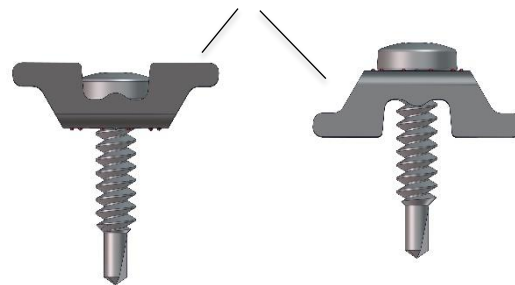
RECOMMENDED

Pan-Head Rounded-Head Self-Drilling Flanged Hex Head



*Length, thread and point to suit substrate and material surface.

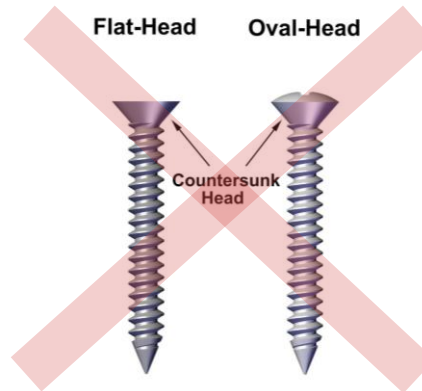
Mounting Clip



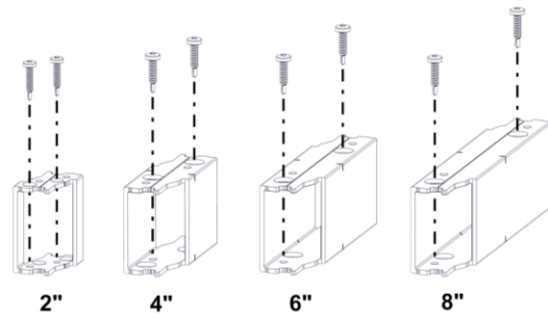
Batten (flat orientation)

Fin orientation

DO NOT USE



Fastener Types/Sizes for End Mounts		
End Mount	Pan Head	Hex Head
2"	#10	X
4"	#12	#12
6"	#12	#12
8"	#12	#12
4" HD	#14	#14
6" HD	#14	#14
8" HD	#14	#14



Framing requirements

Always consult your local building authority and follow local building code requirements. See Typical dimensions for sizes and weights of the L&L system.

Wood Framing

- Size: 2x4 minimum

Metal Framing

- Gauge: 18 ga. minimum

Concrete/CMU

Wood or metal furring is recommended over concrete and CMU.

Wood Furring:

- Size: 2x2 minimum
- Type: Pressure treated lumber

Metal Furring:

- Size: 18 ga. minimum
- Type: Hat channel, Stud, or Z-Girt

System Install

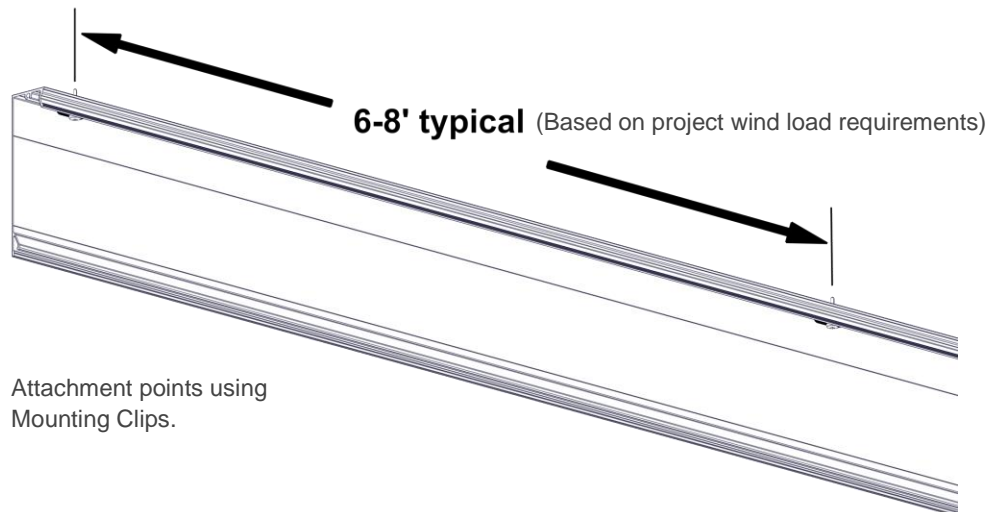
Install details

Typical dimensions

- Longboard Link & Lock system typical dimensions:

L&L	Width	Depth	Length	Weight(lbs/LF) *per set
2"	2" (50.8mm)	1 5/8" (41.3mm)	12'/24'	0.93
4"	4" (101.6mm)	1 5/8" (41.3mm)	12'/24'	1.3
6"	6" (152.4mm)	1 5/8" (41.3mm)	12'/24'	1.6
8"	8" (203mm)	1 5/8" (41.3mm)	12'/24'	1.9
4"x4"	4" (101.6mm)	4" (101.6mm)	12'/24'	1.8
4"x6"	6" (152.4mm)	4" (101.6mm)	12'/24'	2.1
4" HD	4" (101.6mm)	2" (50.8mm)	12'/24'	1.7
6" HD	6" (152.4mm)	2" (50.8mm)	12'/24'	2.4
8" HD	8" (203mm)	2" (50.8mm)	12'/24'	3

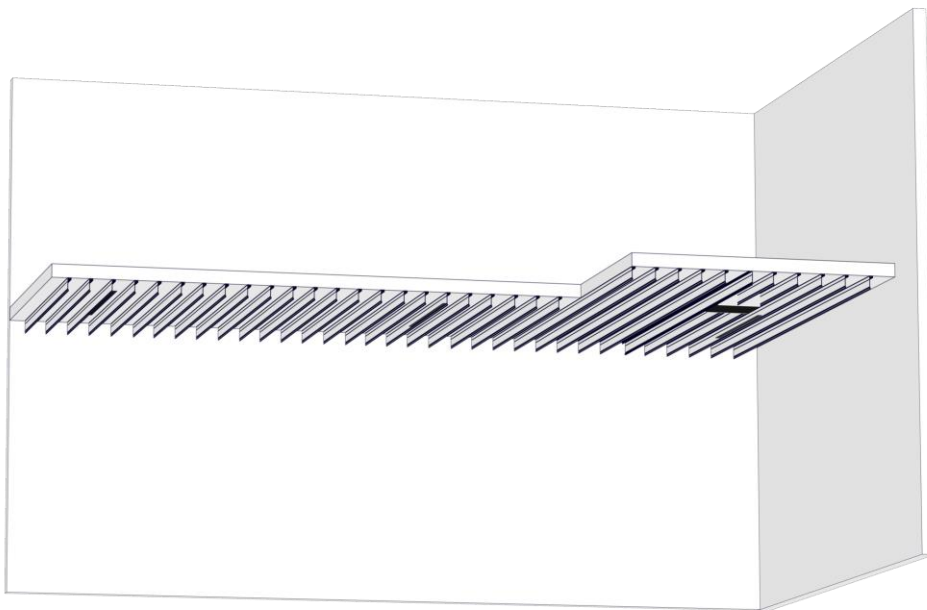
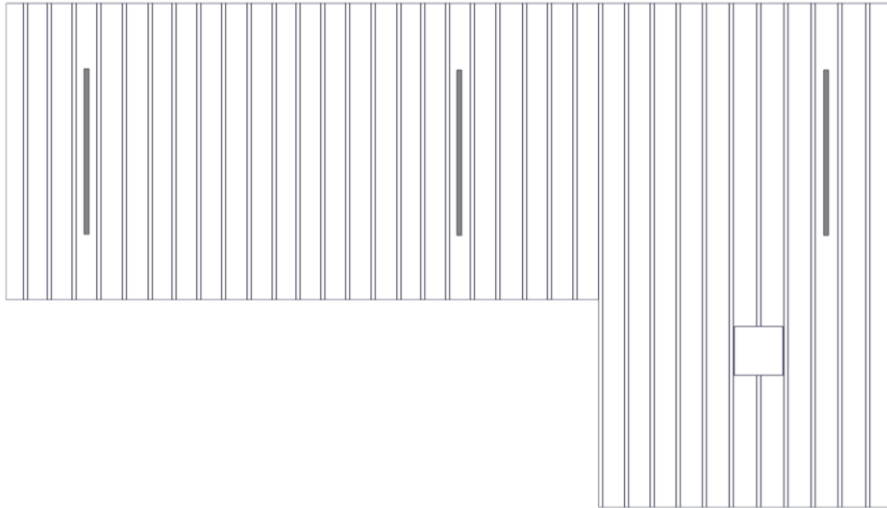
- Longboard Products are not recommended for use on marine applications in direct contact with salt water.
- Link & Lock is an open-joint system which is required to be installed outboard of a weather resistant barrier, including all flashings, following code, and building requirements.
- It is good practice to leave a 1/4" (6mm) gap between every component joint or 24' (7.3m) to allow for expansion & contraction. Consider the joints where components meet each other to dictate which component is installed first (eg: right angle butt joints, mitered joints etc.).
- Mounting Clips allow for movement of the battens, to expand & contract during thermal changes.
- Fasten Mounting Clips every 6-8' typical (based on project wind load requirements), alternating from top to bottom for battens using die lines for guides.



System layout and Install steps

Perimeter and field area limitations

Measure and layout your wall area to consider Link & Lock alignment with fixtures, penetrations, and adjacent walls, for desired appearance. The same methodology applies for vertical installations.



Preparation drilling for Install

To prepare Link & Lock for install, layout and predrill the back "L" with 1/2" holes every 6-8' O.C. typical, with the first hole 2" in from the end to allow space for the End Cap.

For the Batten orientation, alternate the holes from top to bottom using the Dielines for guides.

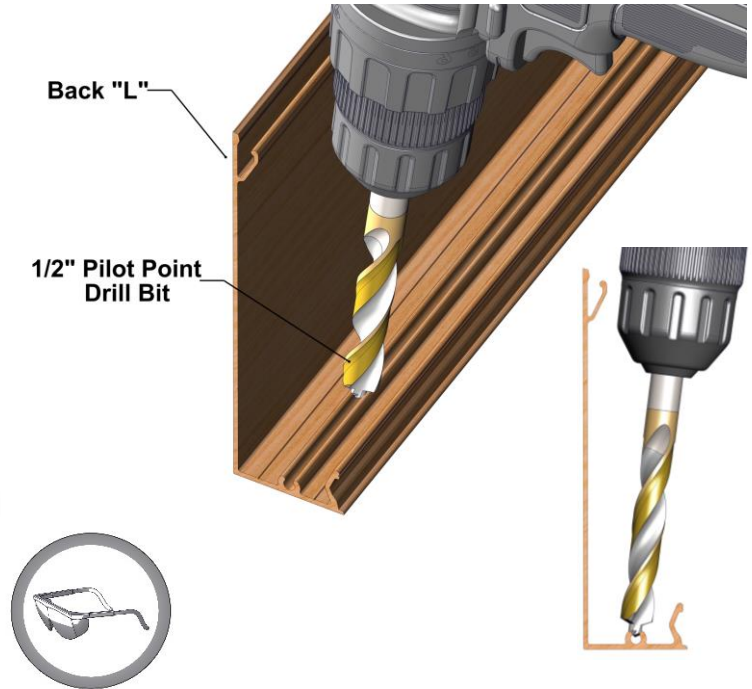
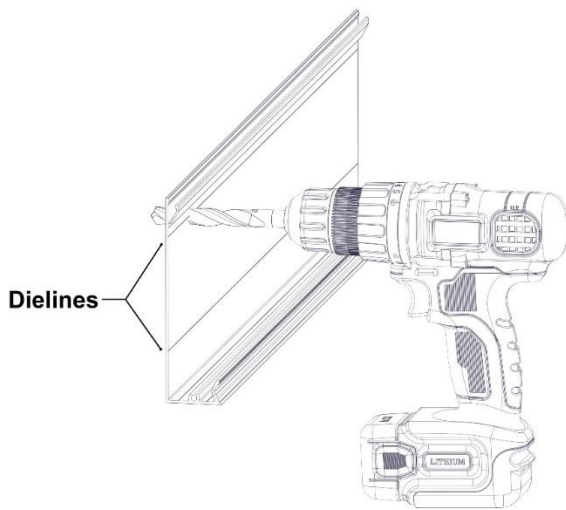
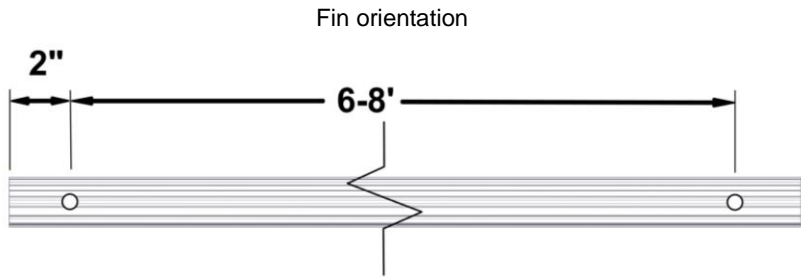
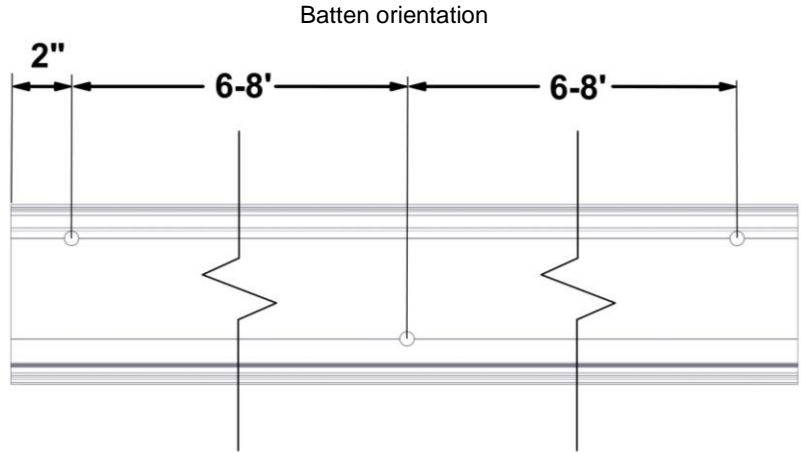
For Fin orientation, use Pilot Point Drill Bit (see below) as recommended for ease of drilling.

Note: To hard fasten 1 location per length, omit the drilled hole at that location and use for hard fastening.

See **Appendix for project specific fastener spacing:**

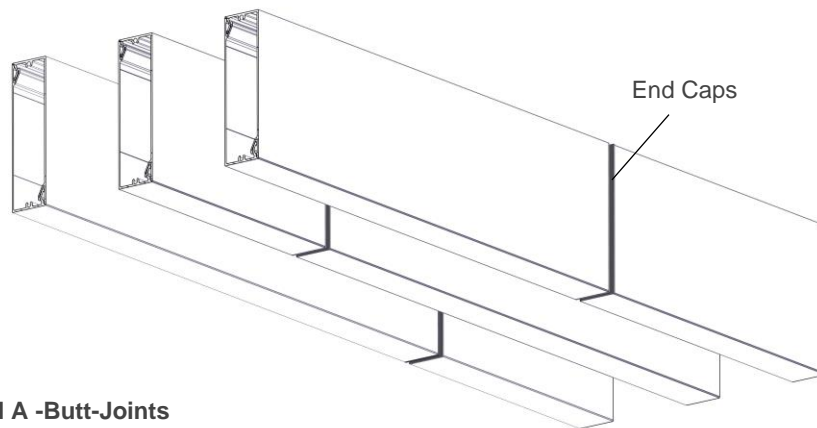
Allowable Span - Tables 3-15

⚠ Tip: Add weep holes as good practice to allow any potential moisture to escape.

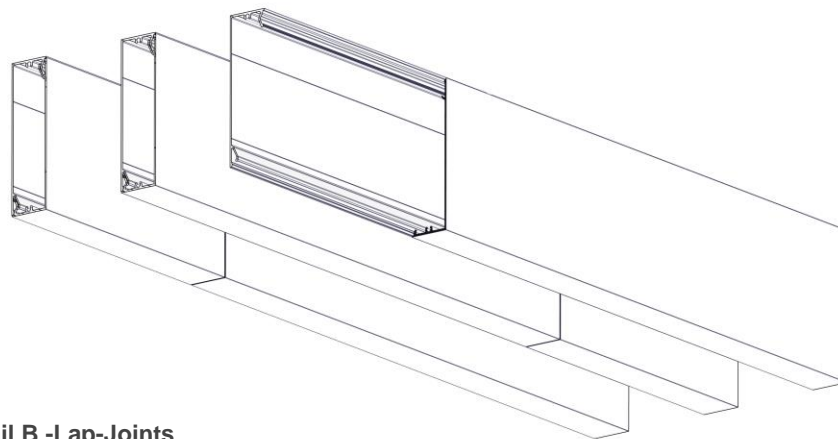


Butt-Joints & Lap Joints

- **⚠ BUTT-JOINTS.** When installing butt-joints, ensure to leave a 1/4" (6mm) min. gap. every 24' (7.3m) min. (**See Detail A**). Fasteners should be anchored into a solid secure framing member, blocking, furring strip, or backer plate, etc.
- **⚠ LAP-JOINTS.** When installing lap-joints, ensure to leave a 1/4" (6mm) min. gap. every 24' (7.3m) min. (**See Detail B**). Fasteners should be anchored into a solid secure framing member, blocking, furring strip, or backer plate, etc.
- Use touch-up paint pens (purchased separately) to finish the ends at the butt-joint or lap-joint.
- It is good practice to hard-fasten each back "L" at one point per length typically near the center, to keep the battens from migrating.
- DO NOT hard-fasten more than one (1) location per batten.

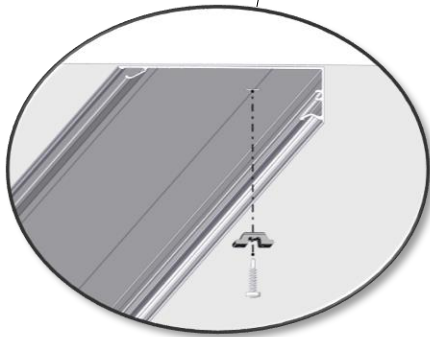
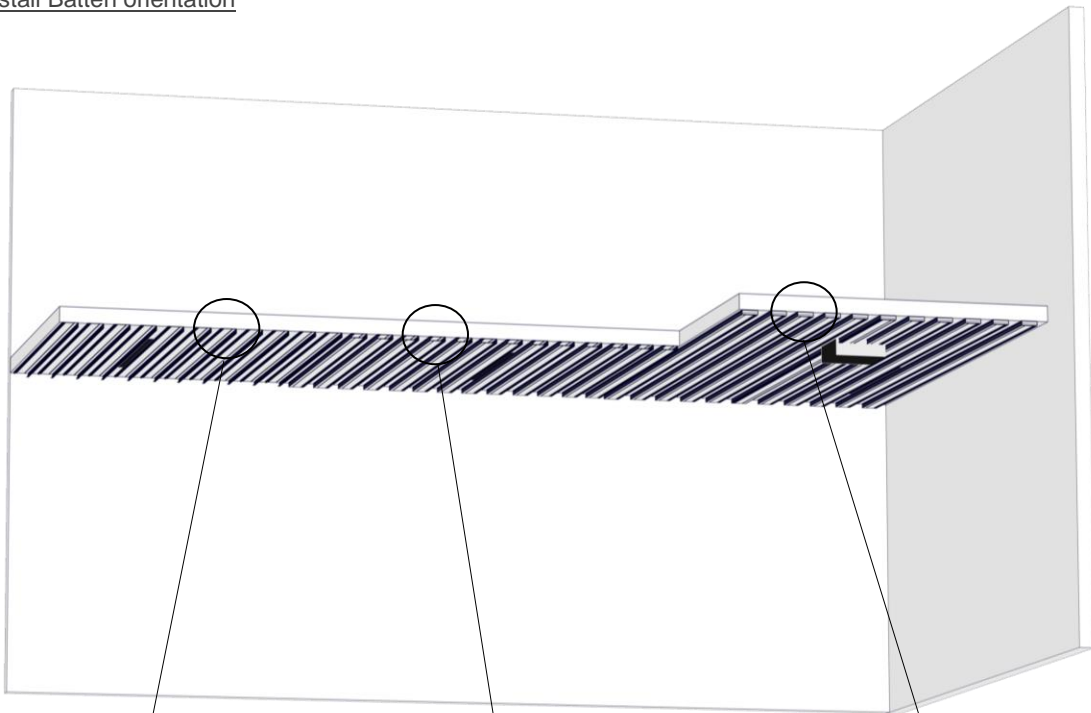


Detail A -Butt-Joints



Detail B -Lap-Joints

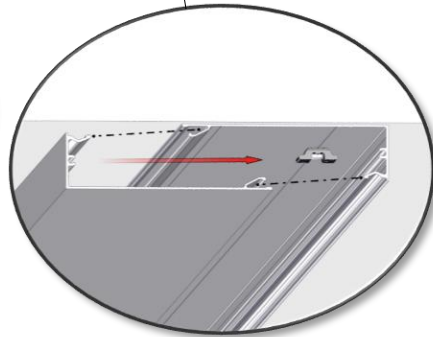
Install Batten orientation



Step 1
Install back "L" using #12 Fasteners (#14 for L&L HD) and Mounting Clips every 6-8' O.C. typical.

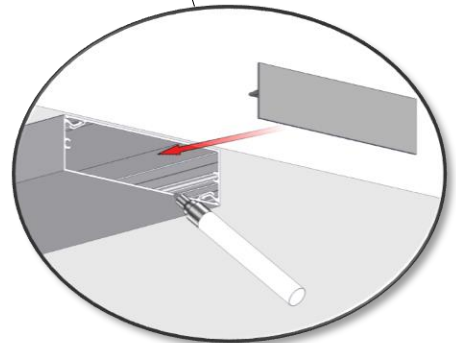
Note: Be sure to fasten in the center of the 1/2" holes to allow for movement each way. Hard fasten near the center of each length to prevent migration of the material over time.

Cut off Taped/Drilled L&L ends (1/2" each end).



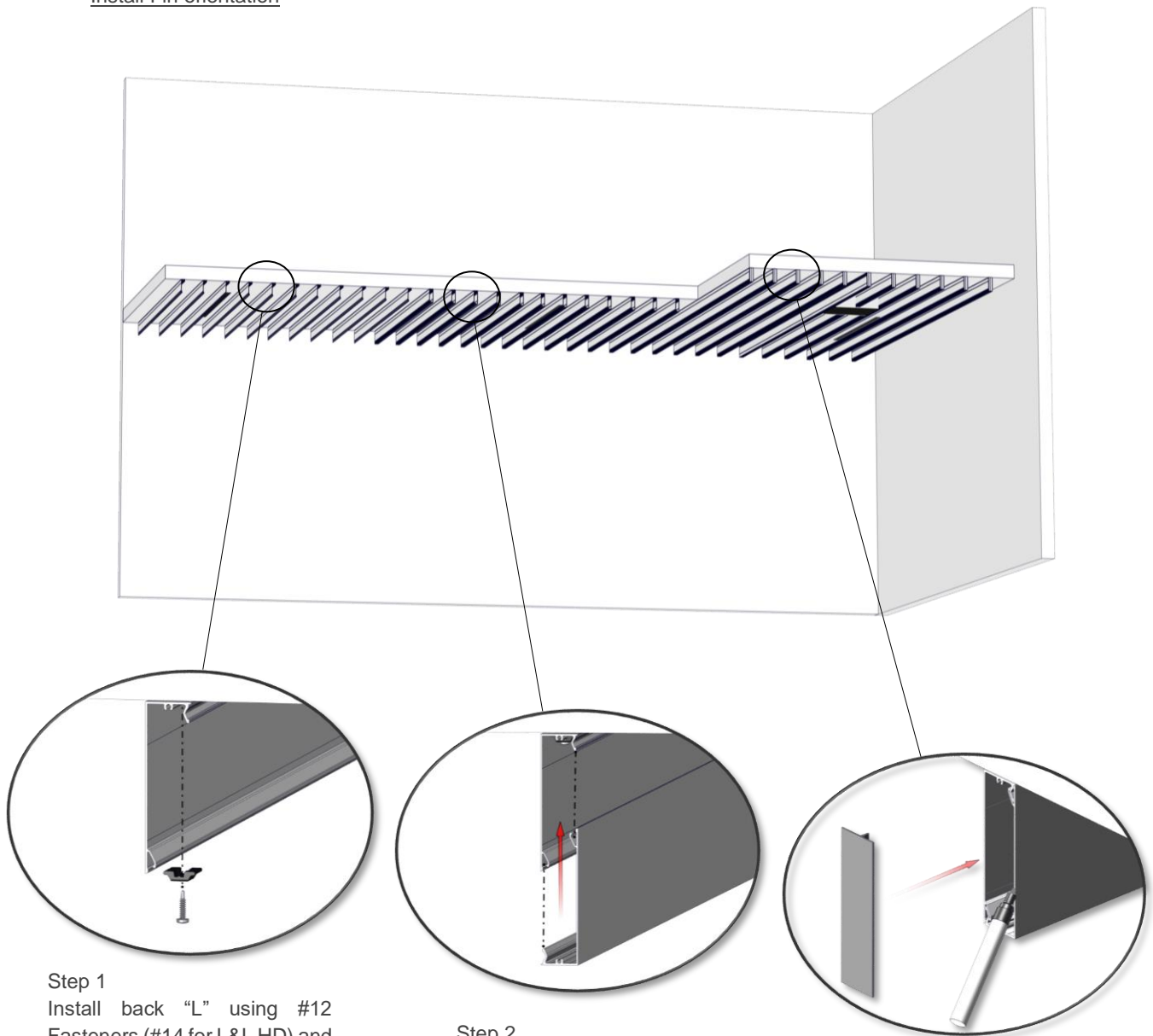
Step 2
Install front "L" and snap it into place, aligning it with ends and joints.

If necessary, use a rubber mallet or hammer and block to protect the finish.



Step 3
Install End Caps, which are friction fit, by pressing them into place using the palm of your hand. If necessary, use a rubber mallet to snap them into place. If required, touch up the cut ends with matching paint pen.

Install Fin orientation



Step 1

Install back “L” using #12 Fasteners (#14 for L&L HD) and Mounting Clips every 6-8’ O.C. typical.

Note: Be sure to fasten in the center of the 1/2” holes to allow for movement each way. Hard fasten near the center of each length to prevent migration of the material over time.



Cut off Taped/Drilled L&L ends (1/2” each end).

Step 2

Install front “L” and snap it into place, aligning it with ends and joints.

If necessary, use a rubber mallet or hammer and block to protect the finish.

Step 3

Install End Caps, which are friction fit, by pressing them into place using the palm of your hand. If necessary, use a rubber mallet to snap them into place. If required, touch up the cut ends with matching paint pen.

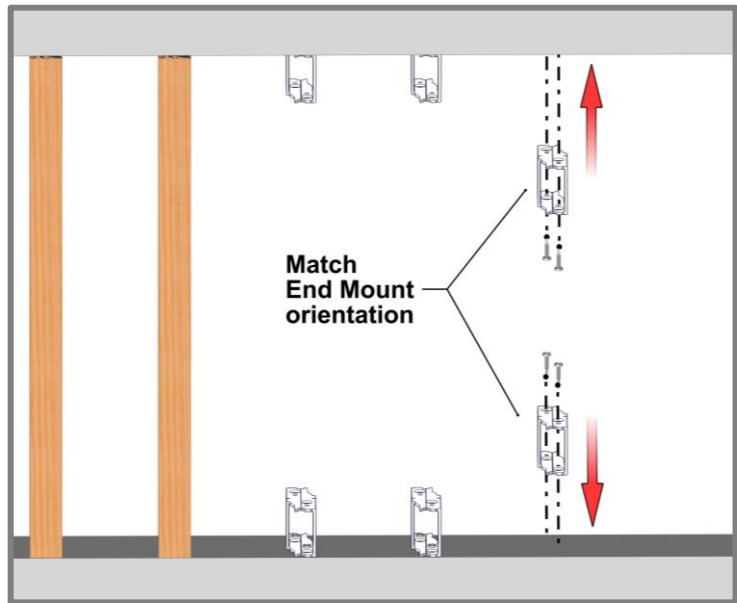
Install End to End orientation

Note: Use Tables 3-15 in Appendix for Allowable Span for Wind Loading.

Step 1

Place End Mounts into position at the top and bottom of the install. It is good practice to check your installation every 2-3 rows for level/plumb and flat/straight, for best results.

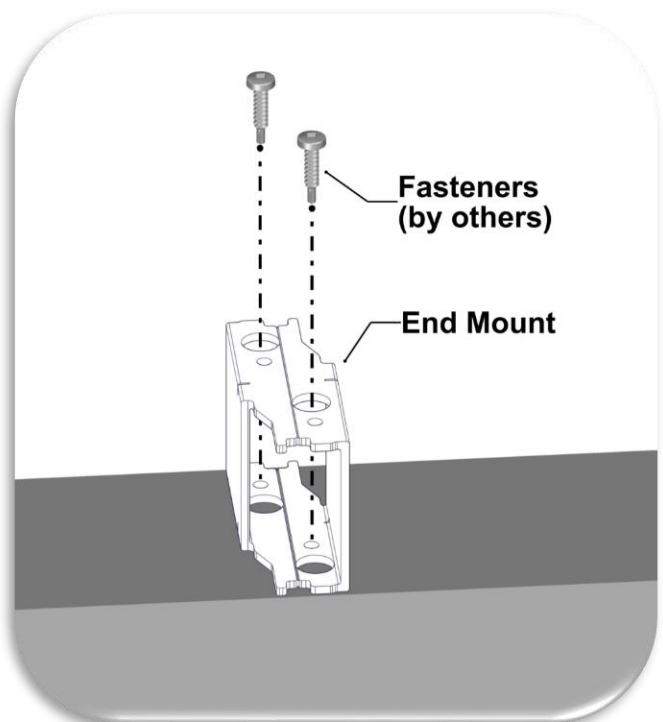
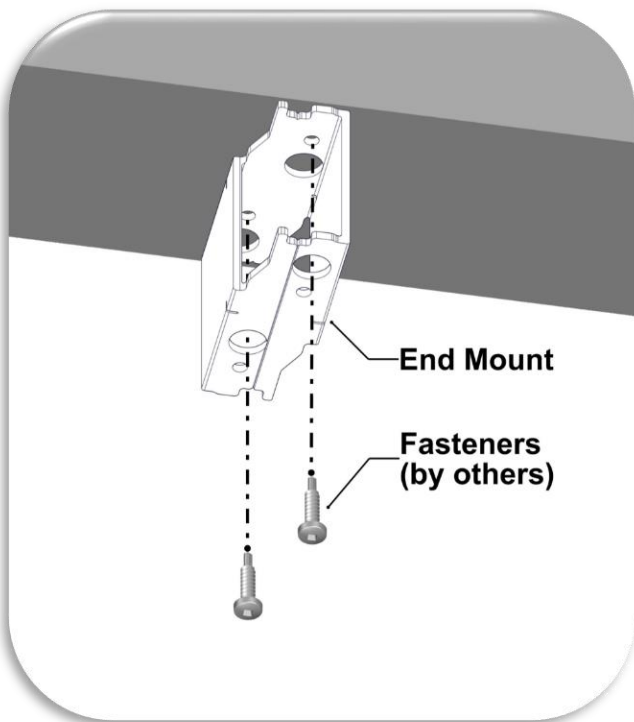
Fastener Types/Sizes for End Mounts		
End Mount	Pan Head	Hex Head
2"	#10	#12
4"	#12	#12
6"	#12	#12
8"	#12	#12
4" HD	#14	#14
6" HD	#14	#14
8" HD	#14	#14



Step 2

Install the End Mounts using #12 Fasteners (#10 for 2" End Mount). Make sure to match the orientation of the End Mounts so the Link & Lock set matches on the top and the bottom. See above for **Fastener Types for End Mounts**.

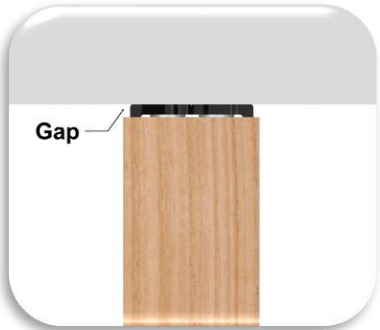
▲ TIP: Check the position of the End Mounts once installed to allow a plumb and straight look.



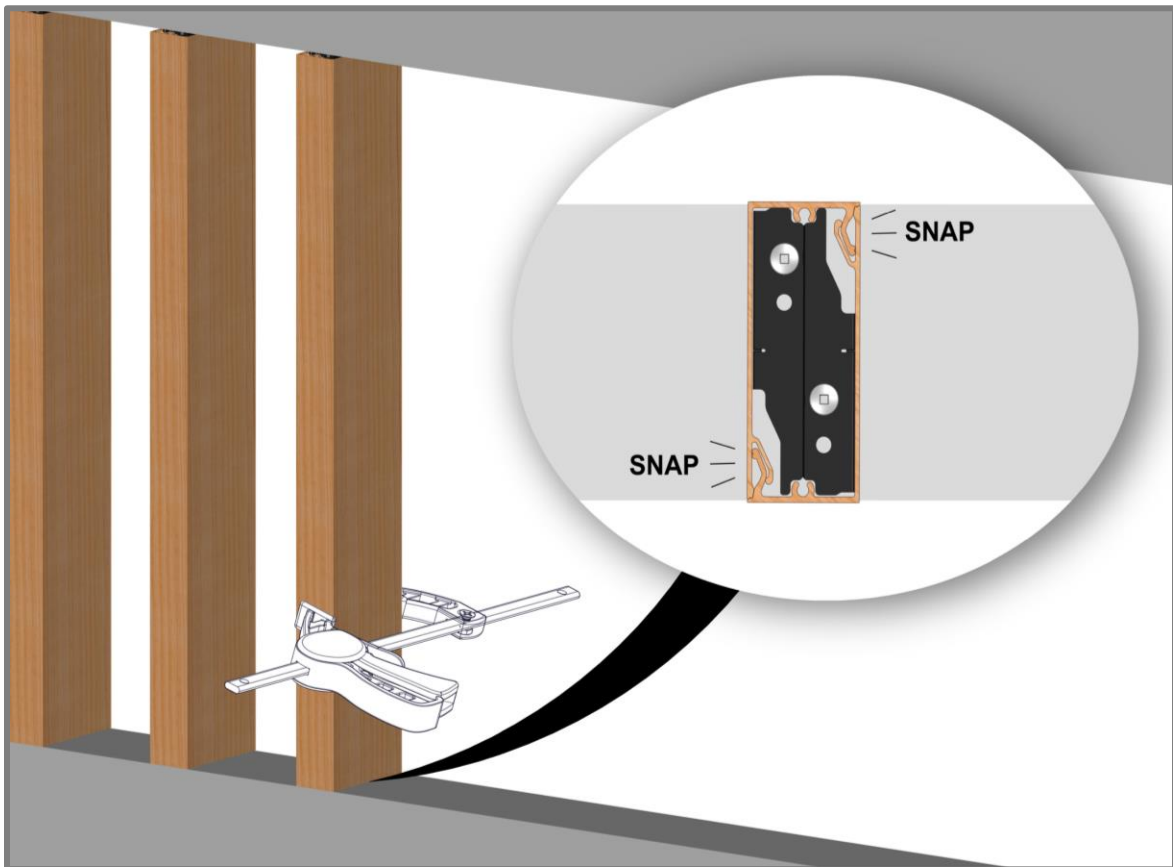
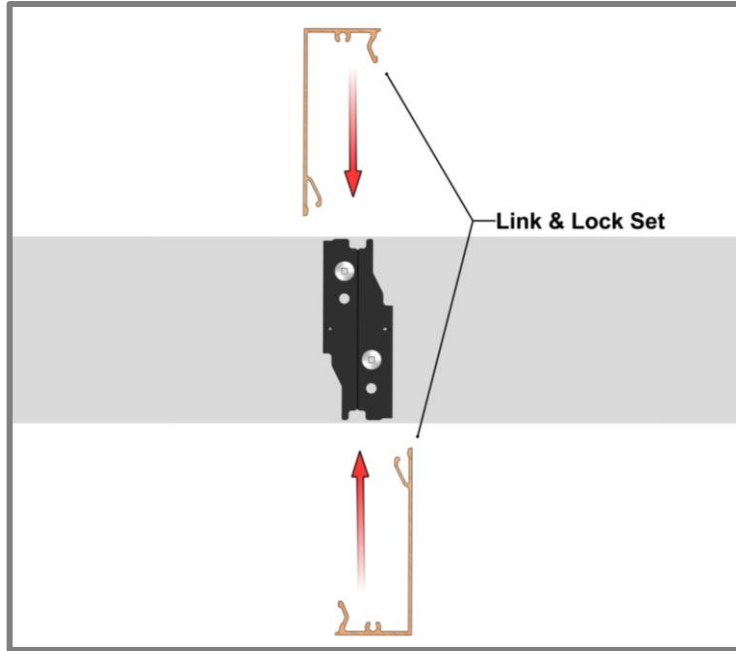
Step 3

Measure, cut and install Link & Lock Set and snap it into place onto the End Mounts. Use clamps with rubber pads as common practice to securely snap the front "L" onto the back "L". If necessary, use a rubber mallet or hammer and block to protect the finish.

▲ TIP: When measuring the Link & Lock, make sure to leave a gap (~1/4") for expansion and building movement.



▲ Cut off Taped/Drilled L&L ends (1/2" each end).



Large spans with Internal Stiffener

Requirements for large spans:

- Two Mounting Clips with #12 fasteners min, (#14 for L&L HD) are used at both ends with a minimum distance apart of 5" O.C.
- An Internal Stiffener is added to reinforce the Link & Lock set for spans up to 12' max @30psf.
- Stiffener must be one continuous member from attachment to attachment.
- Double-sided Tape is used to place the Stiffener onto the Link & Lock. The tape is placed on the center of the Stiffener and then pressed onto far end of the back "L" as shown on page 18.



See **Appendix for allowable spans for project specific load.**

Allowable Span - Tables 3-15

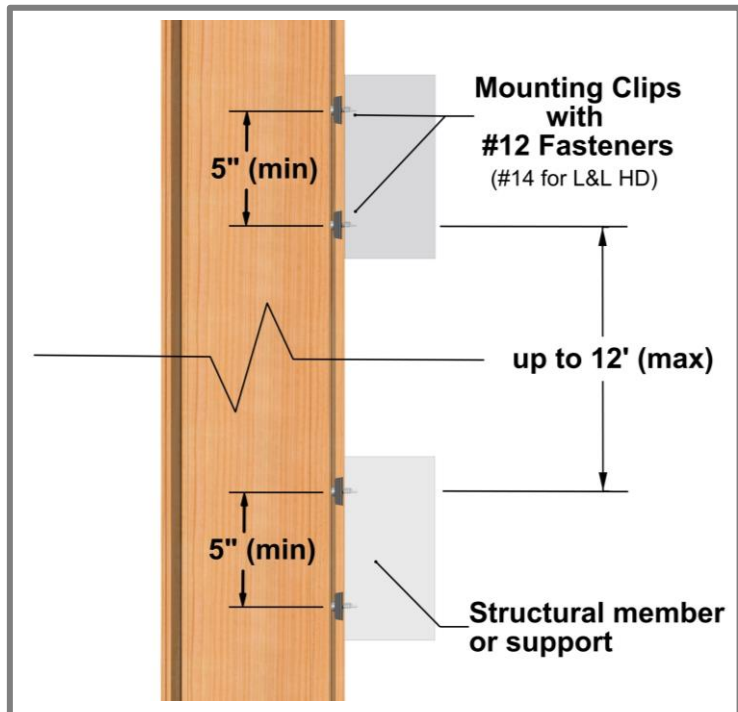
Step 1

Place predrilled Link & Lock back "L" into position (Drilling page 11). It is good practice to check your installation every 2-3 rows for level/plumb and flat/straight, for best results.

Step 2

Install back "L" using #12 Fasteners min, (#14 for L&L HD) and Mounting Clips at end attachment points with a minimum distance apart of 5" O.C.

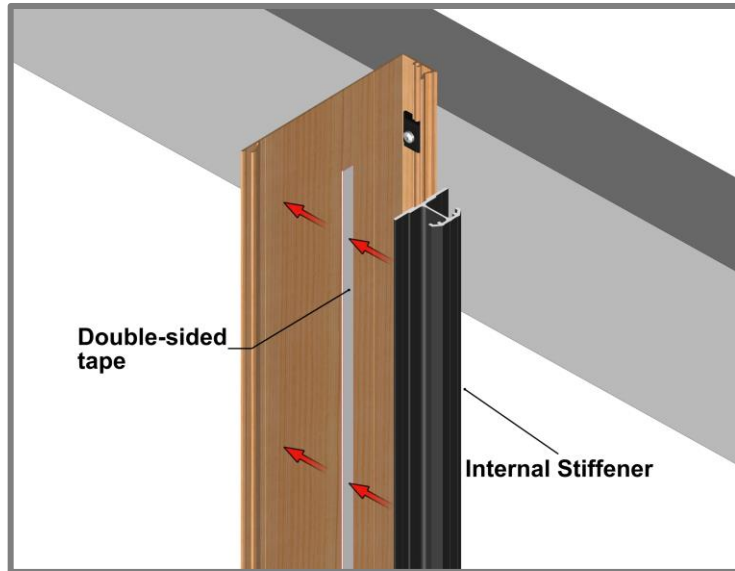
Note: Be sure to fasten in the center of the 1/2" holes to allow for movement each way. Hard fasten one end of each length to prevent migration of the material over time.



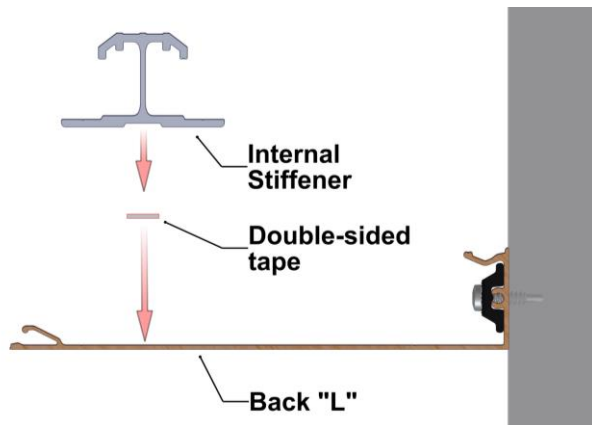
Step 3

Peel and place the Double-sided tape onto the back of the Stiffener O.C. Peel the second side and install the Stiffener as shown in the image pressing down to adhere to the tape.

Note: Install Stiffener 1" (min) from the end of the L&L to allow space for the End Cap as seen below.



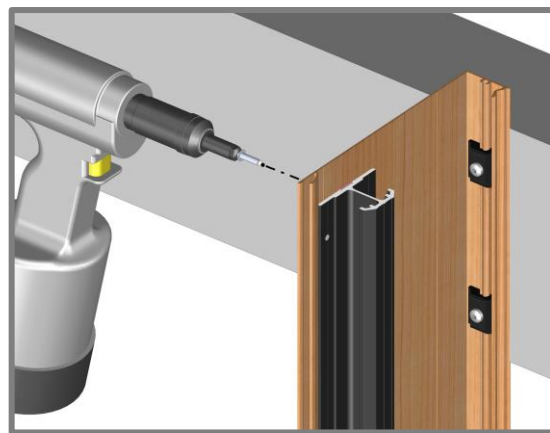
Make sure the Stiffener is located at the end of the back "L" and the tape is in the center of the stiffener.



Step 4

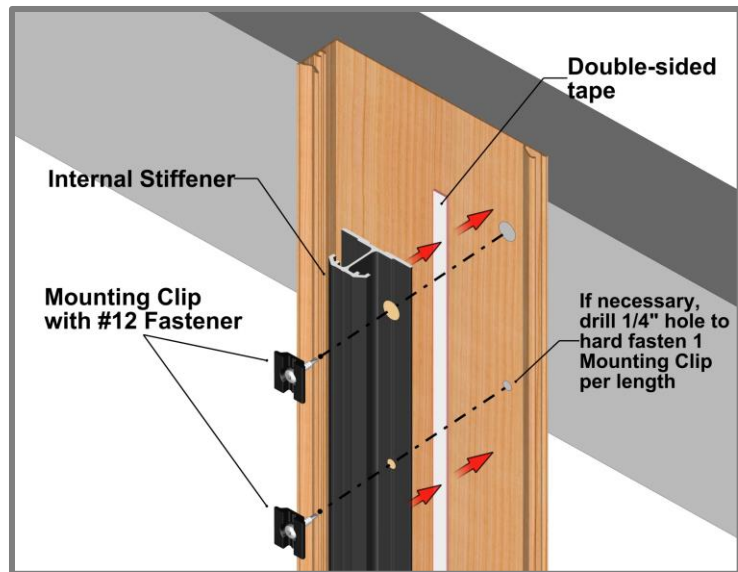
-Fastening Stiffener in Fin orientation

Mechanically fasten the Stiffener to the back "L" using 1/8" Dome Head Rivets (Aluminum). Drill the flange of the Stiffener using a 1/8" Drill bit and fasten two Rivets at the top or one end to mitigate movement of the stiffener over time.



Step 4.1

-Fastening Stiffener Batten orientation
Mechanically fasten the Stiffener to the back “L” using the Mounting Clips and #12 Fasteners. Refer to Page 13 for mounting.



Step 5

Refer to Page 13-14 for Front “L” and End Cap install and details.

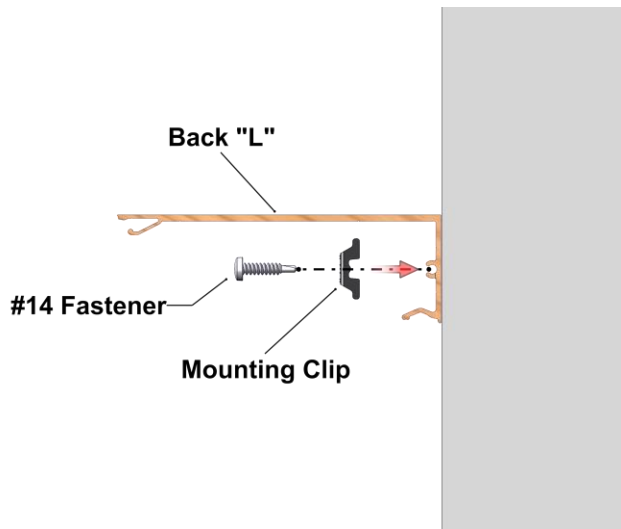


Link & Lock HD

- Used for greater spans compared to standard Link & Lock
- Available sizes: 4", 6" & 8" (2" depth)
- Uses standard Mounting Clip and attachment methods
- Use #14 Fasteners

Refer to System Layout and Install steps section for typical install details.

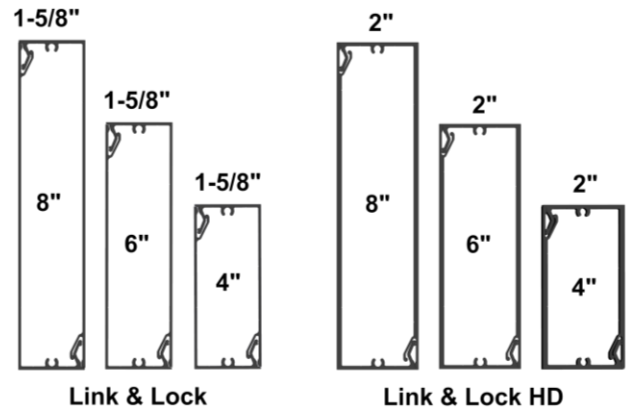
To Compare allowable spans:
See **Appendix for allowable spans for project specific wind load.**
Allowable Span – Tables 3-15



6" L&L
6' span max
@30PSF

6" L&L HD
12' span max
@30PSF

Profile Comparison

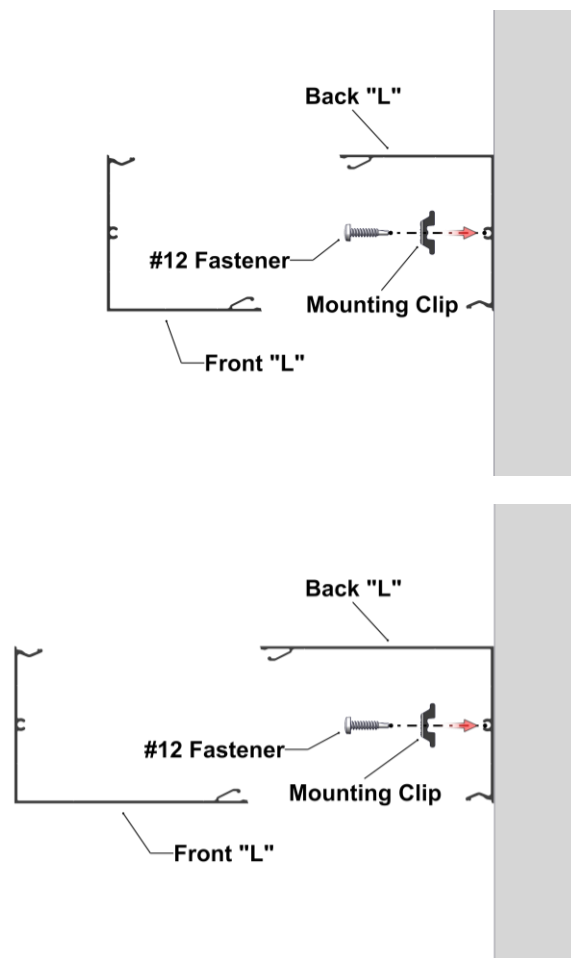


4x4 & 4x6 Link & Lock

- Available sizes: 4"x4" & 4"x6"
- Uses standard Mounting Clip and attachment methods with #12 Fasteners

Refer to System Layout and Install steps section for typical install details.

See **Appendix for allowable spans for project specific wind load.**
Allowable Span – Tables 13 & 14, Page 31

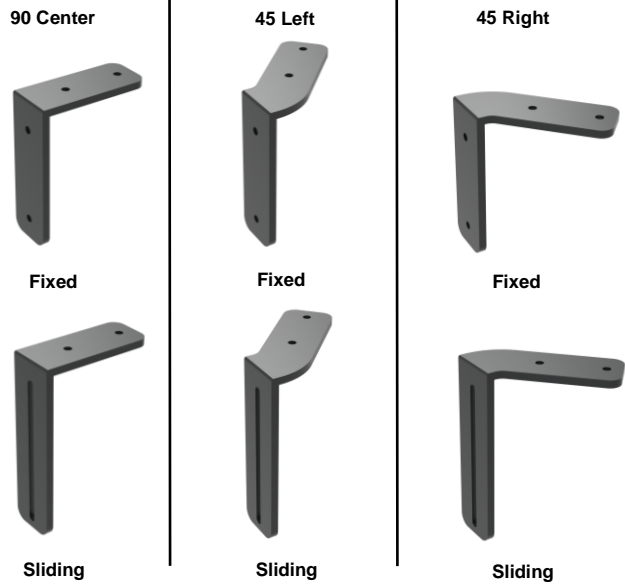


Link & Lock Brackets

- Alternate option for securing L&L cladding
- Attachment from L&L to bracket: use 1/4" Socket Head Screws, washers, locknuts & Mounting Clips included in order
- Attachment to structural element: Min #12 Fasteners (Min head diameter of 11mm) by others
- For expansion & contraction hard fasten only one fixed bracket per L&L run.
- Sliding Brackets are used for floor/slab deflection.

See Appendix for L&L Bracket Max. Spacing. Table 15, Page 31

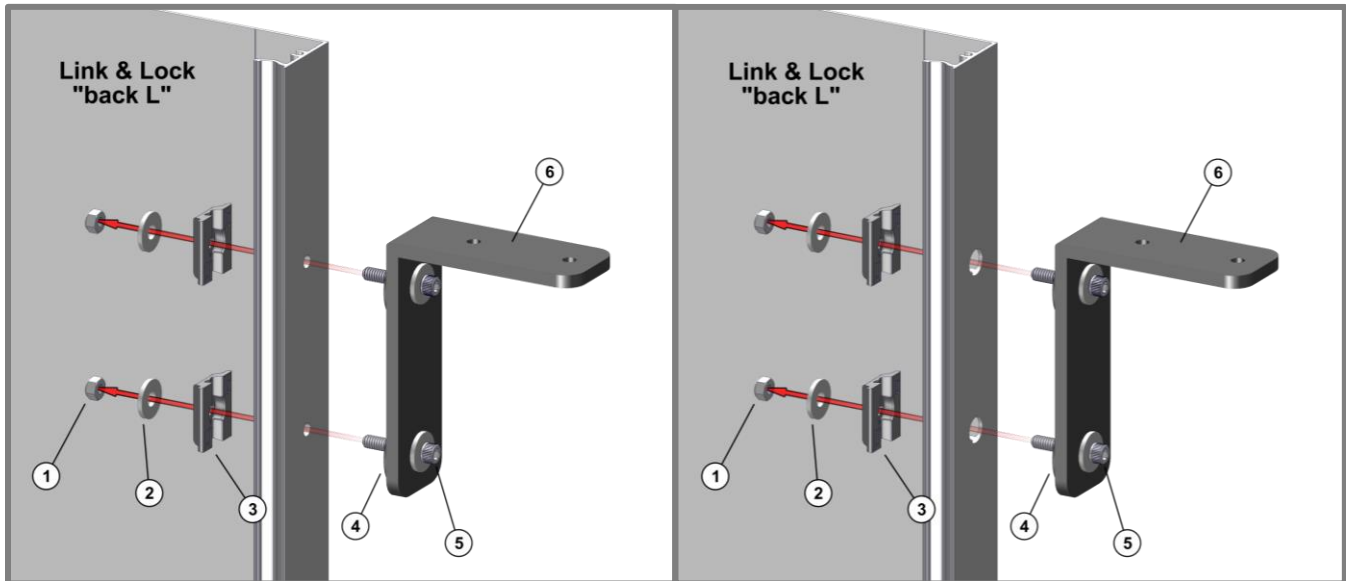
Link & Lock Bracket Options



Single Bracket for horizontal substrate

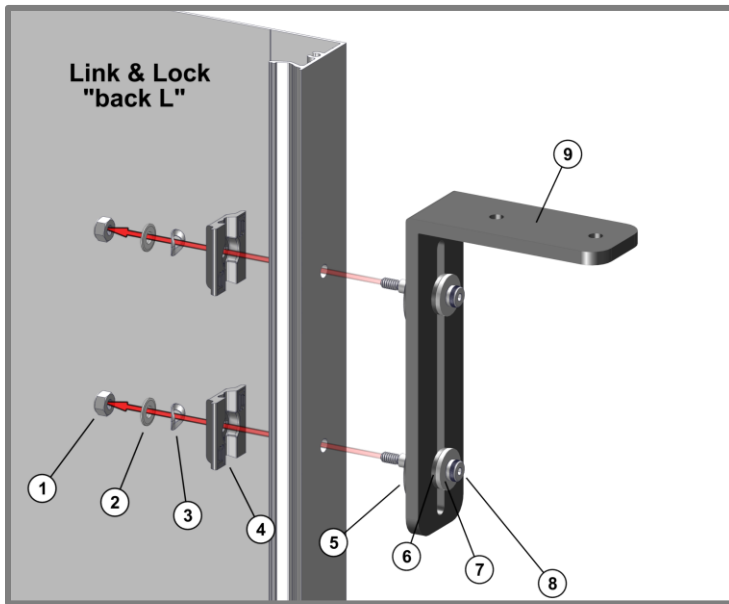
Fixed Bracket (Hard fastened with 1/4" holes)

Fixed Bracket (Expansion 1/2" holes)



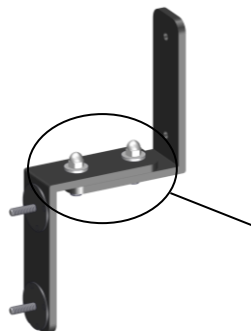
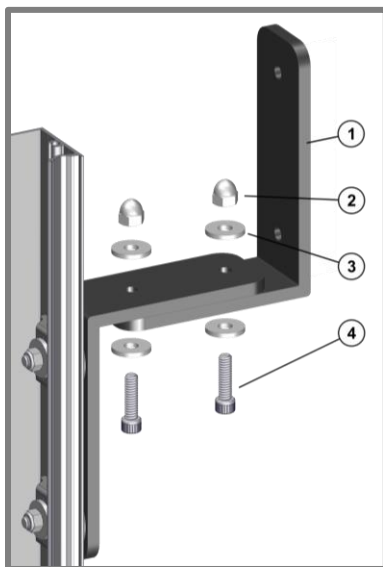
No.	Description	Material	Qty
1	1/4" -20 Locknut	Stainless Steel Nylon-Insert	2
2	Washer, 1/4" screw size, 0.75" OD	Stainless Steel	4
3	Link & Lock Mounting Clip	Nylon w. Stainless Washer	2
4	Self-Retaining Washer for 1/4" size	Nylon, Black	2
5	1/4" -20 Socket Head Screw, 1-1/4" length	Stainless Steel	2
6	Link & Lock Bracket -90 Center Fixed	6005A Aluminum	1

Sliding Bracket (Use 1/4" holes)



No.	Description	Material	Qty
1	10-24 Locknut	Stainless Steel Nylon-Insert	2
2	Washer, #10 screw size, 0.5" OD	Stainless Steel	2
3	Single-Wave Washer, 0.5" OD	Stainless Steel	2
4	Link & Lock Mounting Clip	Nylon w. Stainless Washer	2
5	Self-Retaining Washer for 1/4" screw size	Nylon, Black	2
6	Plastic Washer, 1/4" screw size, 0.734 OD	Nylon, Black	2
7	Washer, 1/4" screw size, 0.75" OD	Stainless Steel	2
8	1/4" Shoulder screw, 1" Shoulder length 10-24 Thread	Stainless Steel	2
9	Link & Lock Bracket -90 Center Sliding	6005A Aluminum	1

Dual Bracket for vertical substrate



Dual Bracket components are pre-assembled by manufacturer. Do not adjust or remove unless authorized by the manufacturer.

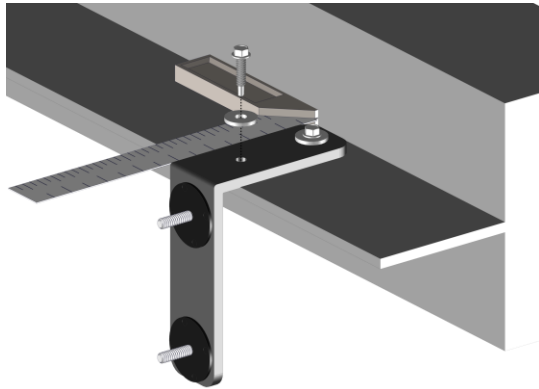
No.	Description	Material	Qty
1	Link & Lock Dual Bracket -90 Center Fixed	6005A Aluminum	1
2	Distorted-Thread Cap Locknut	Stainless Steel	2
3	Washer, 1/4" screw size, 0.75" OD	Stainless Steel	4
4	7/8" Socket Head Screw	Stainless Steel	2

Install steps

Step 1

Layout & install Link & Lock Brackets. It is good practice to check for level/plumb and flat/straight, for best results.

⚠ TIP: Install one run of L&L Brackets with the L&L to confirm measurements.

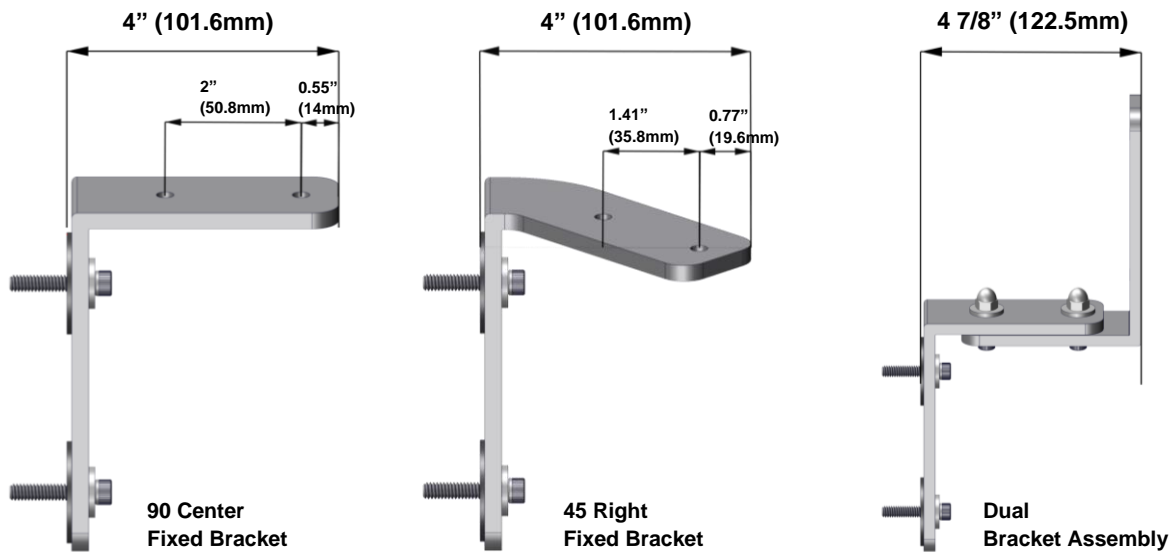


#12 Fasteners with washers by others (Min head diameter of 11mm)

X

X – see allowable span Table 15, Page 31

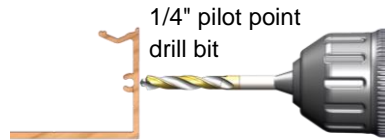
1 9/16" -for Sliding Bracket unloaded. For loaded condition check with your local engineer.



Step 2

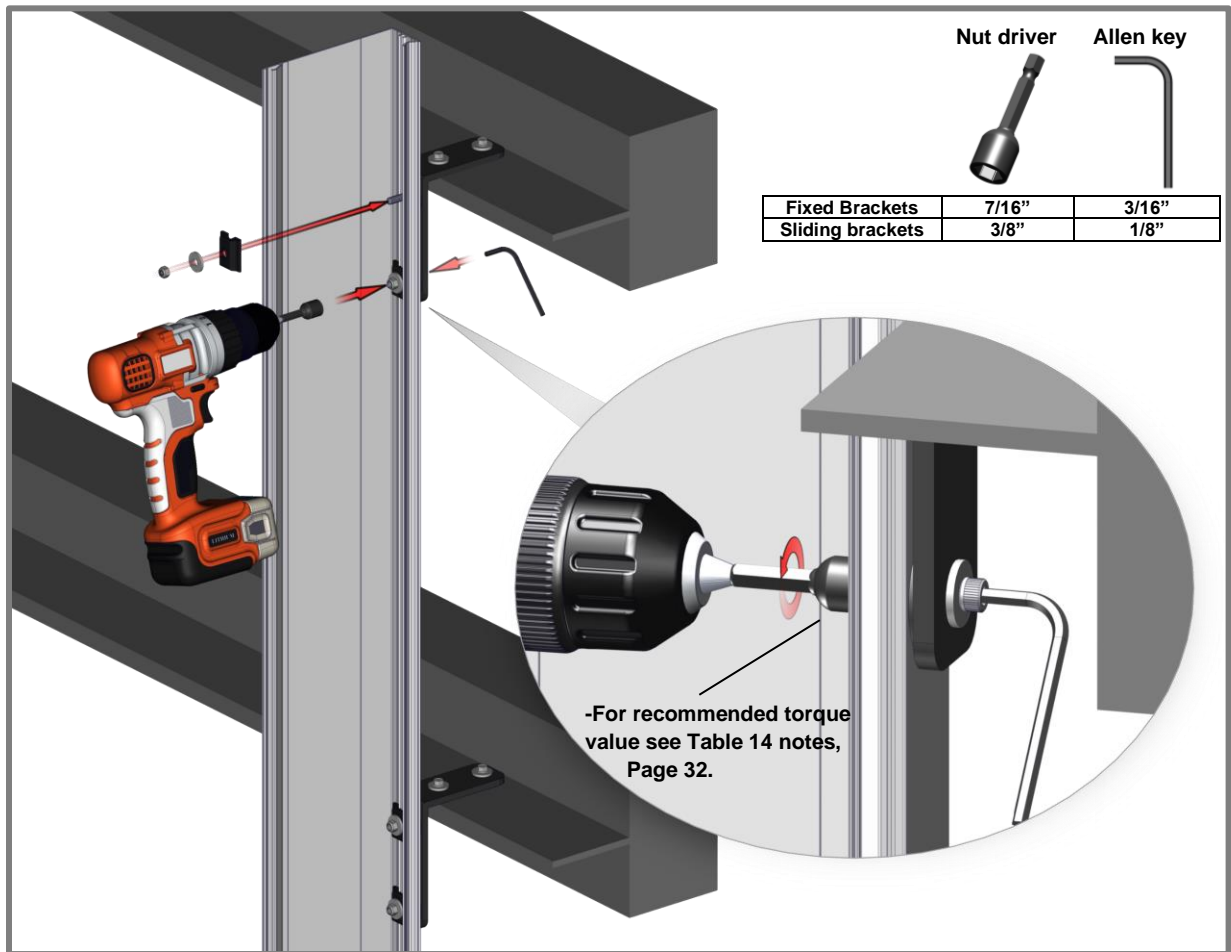
Drill out back "L" of the Link & Lock.
For dimensions review drawing details provided by Longboard if required.

- **1/4" holes**
-for hard fastening one Bracket per run
-for Sliding Brackets if used
- **1/2" holes** for expansion & contraction on the rest of the Fixed Brackets



Step 3

Install back "L" onto brackets.

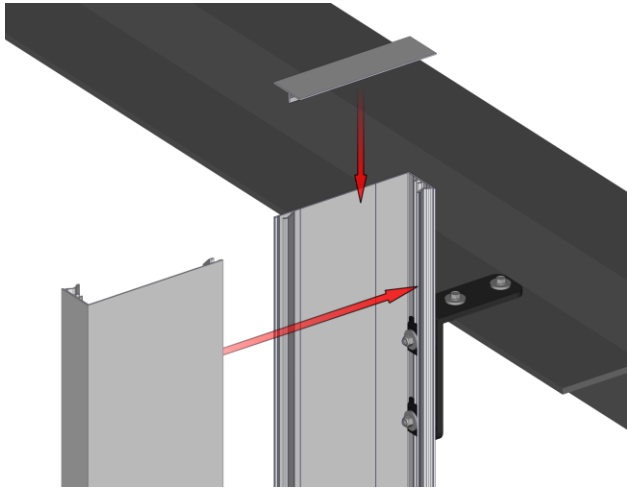


Step 3.1

Install Internal Stiffener if required. For install steps see Pages 18-19.

Step 4

Install front "L" onto back "L" and End Caps. For details See Pages 13-14.



Appendix

Expansion and Contraction Tables

TABLE 1 - IMPERIAL

		AVERAGE TEMPERATURE AT TIME OF CUTTING & INSTALLATION											
°C		-50	-40	-30	-20	-10	0	10	20	30	40	50	
°F		-58	-40	-22	-4	14	32	50	68	86	104	122	
MIN/MAX POST CONSTRUCTION TEMP.	°C	°F	EXPANSION OR CONTRACTION (INCH/FOOT)										
	-50	-58	0.000	-0.003	-0.005	-0.008	-0.011	-0.014	-0.016	-0.019	-0.022	-0.024	-0.027
	-40	-40	0.003	0.000	-0.003	-0.005	-0.008	-0.011	-0.014	-0.016	-0.019	-0.022	-0.024
	-30	-22	0.005	0.003	0.000	-0.003	-0.005	-0.008	-0.011	-0.014	-0.016	-0.019	-0.022
	-20	-4	0.008	0.005	0.003	0.000	-0.003	-0.005	-0.008	-0.011	-0.014	-0.016	-0.019
	-10	14	0.011	0.008	0.005	0.003	0.000	-0.003	-0.005	-0.008	-0.011	-0.014	-0.016
	0	32	0.014	0.011	0.008	0.005	0.003	0.000	-0.003	-0.005	-0.008	-0.011	-0.014
	10	50	0.016	0.014	0.011	0.008	0.005	0.003	0.000	-0.003	-0.005	-0.008	-0.011
	20	68	0.019	0.016	0.014	0.011	0.008	0.005	0.003	0.000	-0.003	-0.005	-0.008
	30	86	0.022	0.019	0.016	0.014	0.011	0.008	0.005	0.003	0.000	-0.003	-0.005
	40	104	0.024	0.022	0.019	0.016	0.014	0.011	0.008	0.005	0.003	0.000	-0.003
	50	122	0.027	0.024	0.022	0.019	0.016	0.014	0.011	0.008	0.005	0.003	0.000

TABLE 2 - METRIC

		AVERAGE TEMPERATURE AT TIME OF CUTTING & INSTALLATION											
°C		-50	-40	-30	-20	-10	0	10	20	30	40	50	
°F		-58	-40	-22	-4	14	32	50	68	86	104	122	
MIN/MAX POST CONSTRUCTION TEMP.	°C	°F	EXPANSION OR CONTRACTION (MM/METER)										
	-50	-58	0.000	-0.230	-0.460	-0.690	-0.920	-1.150	-1.380	-1.610	-1.840	-2.070	-2.300
	-40	-40	0.230	0.000	-0.230	-0.460	-0.690	-0.920	-1.150	-1.380	-1.610	-1.840	-2.070
	-30	-22	0.460	0.230	0.000	-0.230	-0.460	-0.690	-0.920	-1.150	-1.380	-1.610	-1.840
	-20	-4	0.690	0.460	0.230	0.000	-0.230	-0.460	-0.690	-0.920	-1.150	-1.380	-1.610
	-10	14	0.920	0.690	0.460	0.230	0.000	-0.230	-0.460	-0.690	-0.920	-1.150	-1.380
	0	32	1.150	0.920	0.690	0.460	0.230	0.000	-0.230	-0.460	-0.690	-0.920	-1.150
	10	50	1.380	1.150	0.920	0.690	0.460	0.230	0.000	-0.230	-0.460	-0.690	-0.920
	20	68	1.610	1.380	1.150	0.920	0.690	0.460	0.230	0.000	-0.230	-0.460	-0.690
	30	86	1.840	1.610	1.380	1.150	0.920	0.690	0.460	0.230	0.000	-0.230	-0.460
	40	104	2.070	1.840	1.610	1.380	1.150	0.920	0.690	0.460	0.230	0.000	-0.230
	50	122	2.300	2.070	1.840	1.610	1.380	1.150	0.920	0.690	0.460	0.230	0.000

TABLE 3

2" LINK & LOCK		PSF (FACTORED/ULTIMATE)										
		30	40	50	60	70	80	90	100	110	120	
ALLOWABLE SPAN (ft)	4'	✓	✓	✓	✓	✓	✓	✓	✓	✓	✓	✓
	6'	✓	✓	✓	✓	✓	✓	✓	✓	✓	✓	✓
	8'	✓	✓	✓	✓	✓	✓	✓	✓	✓	✓	✓
	10'	✓	✓	✓	✓	✓	✓	✓	✓	✓	✓	✓

All testing has been performed using L/180 deflection limits

TABLE 4

4" LINK & LOCK		PSF (FACTORED/ULTIMATE)										
		30	40	50	60	70	80	90	100	110	120	
ALLOWABLE SPAN (ft)	2'	✓	✓	✓	✓	✓	✓	✓	✓	✓	✓	✓
	4'	✓	✓	✓	✓	✓	✓	✓	✓	✓	✓	✓
	6'	✓	✓	✓	✓	✓	✓	✓	✓	✓	✓	✓
	8'	✓	✓	✓	✓	✓	✓	✓	✓	✓	✓	✓

All testing has been performed using L/180 deflection limits

TABLE 5

6" LINK & LOCK		PSF (FACTORED/ULTIMATE)										
		30	40	50	60	70	80	90	100	110	120	
ALLOWABLE SPAN (ft)	2'	✓	✓	✓	✓	✓	✓	✓	✓	✓	✓	✓
	4'	✓	✓	✓	✓	✓	✓	✓	✓	✓	✓	✓
	6'	✓	✓	✓	✓	✓	✓	✓	✓	✓	✓	✓

All testing has been performed using L/180 deflection limits

TABLE 6

8" LINK & LOCK		PSF (FACTORED/ULTIMATE)										
		30	40	50	60	70	80	90	100	110	120	
ALLOWABLE SPAN (ft)	2'	✓	✓	✓	✓	✓	✓	✓	✓	✓	✓	✓
	4'	✓	✓	✓	✓	✓	✓	✓	✓	✓	✓	✓
	6'	✓	✓	✓	✓	✓	✓	✓	✓	✓	✓	✓

All testing has been performed using L/180 deflection limits

TABLE 7

		PSF (FACTORED/ULTIMATE)											
		30	40	50	60	70	80	90	100	110	120		
ALLOWABLE SPAN (ft)	4" LINK & LOCK W. STIFFENER	**4'											
	**6'												
	**8'												
	**10'												
	**12'												

All testing has been performed using L/180 deflection limits
 **Using Longboard Link & Lock Internal Stiffener

TABLE 8

		PSF (FACTORED/ULTIMATE)											
		30	40	50	60	70	80	90	100	110	120		
ALLOWABLE SPAN (ft)	6" LINK & LOCK W. STIFFENER	**4'											
	**6'												
	**8'												
	**10'												

All testing has been performed using L/180 deflection limits
 **Using Longboard Link & Lock Internal Stiffener

TABLE 9

		PSF (FACTORED/ULTIMATE)											
		30	40	50	60	70	80	90	100	110	120		
ALLOWABLE SPAN (ft)	8" LINK & LOCK W. STIFFENER	**2'											
	**4'												
	**6'												
	**8'												

All testing has been performed using L/180 deflection limits
 **Using Longboard Link & Lock Internal Stiffener

TABLE 10

		PSF (FACTORED/ULTIMATE)										
		30	40	50	60	70	80	90	100	110	120	
ALLOWABLE SPAN (ft)	4" LINK & LOCK HD											
	6'											
	8'											
	10'											
	12'											

All testing has been performed using L/180 deflection limits

TABLE 11

		PSF (FACTORED/ULTIMATE)										
		30	40	50	60	70	80	90	100	110	120	
ALLOWABLE SPAN (ft)	6" LINK & LOCK HD											
	8'											
	10'											
	12'											

All testing has been performed using L/180 deflection limits

TABLE 12

		PSF (FACTORED/ULTIMATE)										
		30	40	50	60	70	80	90	100	110	120	
ALLOWABLE SPAN (ft)	8" LINK & LOCK HD											
	4'											
	6'											
	8'											
	10'											

All testing has been performed using L/180 deflection limits

TABLE 13

4X4 LINK & LOCK		PSF (FACTORED/ULTIMATE)									
		30	40	50	60	70	80	90	100	110	120
ALLOWABLE SPAN (ft)	8'										
	10'										
	12'										

All testing has been performed using L/180 deflection limits

TABLE 14

4X6 LINK & LOCK		PSF (FACTORED/ULTIMATE)									
		30	40	50	60	70	80	90	100	110	120
ALLOWABLE SPAN (ft)	8'										
	10'										
	12'										

All testing has been performed using L/180 deflection limits

TABLE 15

LINK & LOCK™ BATTEN	LINK & LOCK™ BRACKET MAX. SPACING (FT)									
	WIND LOAD PSF (FACTORED/ULTIMATE)									
	30	40	50	60	70	80	90	100	110	120
1-5/8" x 2"	10'	8'	6'				4'			
1-5/8" x 4"	8'	6'	4'			2'				
1-5/8" x 4" w. Internal Stiffener	12'	10'	8'	6'			4'			
1-5/8" x 6"	6'		4'				3'		2'	
1-5/8" x 6" w. Internal Stiffener	10'	8'	6'	4'			3'			
1-5/8" x 8"	6'	4'		2'						
1-5/8" x 8" w. Internal Stiffener	8'	6'	4'		3'			2'		
2" x 4" HD	12'		10'	8'	6'		4'			
2" x 6" HD	10'	8'	6'	4'			3'			
2" x 8" HD	8'	6'	4'			3'			2'	

Recommended torque value for Link & Lock™ to Bracket attachment:

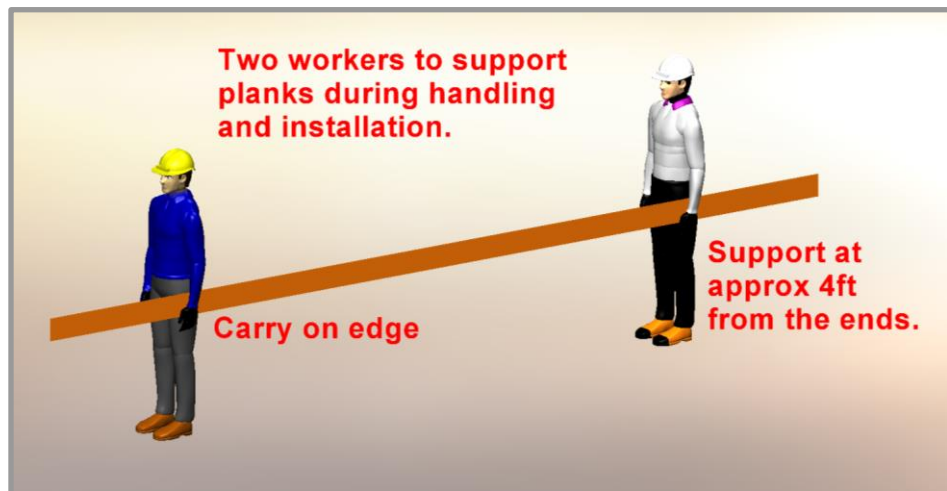
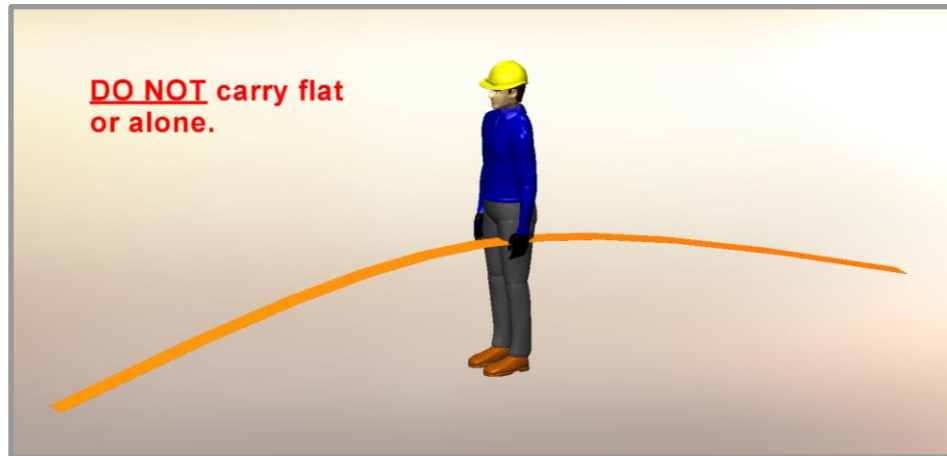
note 1 Factored Wind Load: max. 168 LBS/EA Bracket
 note 2 Factored Dead Load: max. 29 LBS/EA Fixed Bracket
 note 3 Fixed Bracket 1/4" -20 Socket Head Screw, 60 in/lbs + prevailing torque of self-locking nut
 note 4 Sliding Bracket 1/4" Shoulder Socket Head Screw (#10-24 thread), 20 in/lbs + prevailing torque of self-locking nut

March 22, 2024

Proper Handling of Longboard Products



To help avoid injury and product damage, Longboard products require proper handling to and from storage areas during installation. When carrying or installing any products it is recommended that they be moved or carried by at least two people with each support point approximately 4ft from the ends. **Carrying products without proper support can cause excessive bending which may damage the appearance or finish of the product.** Any short cut lengths should also be carried on edge while supporting the material. See below for details.



⚠️ Delivery, Storage & Handling ⚠️

- Always inspect the delivery for damage and contact LB ASAP if there are any issues: info@longboardproducts.com or 1-800-604-0343 and include your PO# and any pictures if possible. Longboard is not responsible for the installation of blemished or damaged material.
- Be sure to store the material flat, keep it dry, safe & secure and remain in unopened cartons until ready to be installed.
- Always wear appropriate PPE when handling products.

BLANK PAGE



Longboard Architectural Products Inc.
© Longboard Architectural Products Inc. All rights reserved.

Longboard® is a registered trademark of Longboard Architectural Products Inc.

Longboard
1777 Clearbrook Road
Abbotsford, BC V2T 8X8
Canada
longboardproducts.com

Every effort has been made to ensure that the information in these installation guidelines is accurate. Longboard is not responsible for printing or clerical errors.

For more information, contact client care at info@longboardproducts.com or call toll free 1-800-604-0343.

Tongue & Groove Systems

V-Groove Planks * 48 sq. ft. box quantities † 96 sq. ft. box quantities

Size	12' *	24' †	12' Perf *	24' Perf †
2½"	3V.145	-	3VP.145	-
4"	4V.145	4V.289	-	-
6"	6V.145	6V.289	6VP.145	6VP.289

Smooth Planks

Size	12' *	24' †	12' Perf *	24' Perf †
6"	6PSP.145	6PSP.289	6PSPP.145	6PSPP.289

Channel Planks

Size	12' *	24' †	12' Perf *	24' Perf †
6"	6CH.145	6CH.289	-	-

Bevel Planks

Size	12' *	24' †	12' Perf *	24' Perf †
6" Single	6SB.145	6SB.289	-	-
6" Triple	6TB.145	6TB.289	-	-

Castellation Planks

Size	12' *	24' †	12' Perf *	24' Perf †
4"	4CA.145	4CA.289	-	-
8"	8CA.145	8CA.289	-	-

Trim Components

Type	Style	Product	Dimensions	SKU
Starter	Precision	Starter J-Track	(5/8") - 12'	1SJT.145
Starter	Traditional	Starter Strip	(1-7/8") - 12'	2SS.145
Starter	Traditional	Back-to-Back Starter Strip	(1-1/4")	2BTBS.145
J-Track	Precision	Two Piece J-Track	(5/8") - 12'	1X1JT.145
J-Track	Precision	J-Track	(5/8") - 12'	1JT.145
J-Track	Craftsman	J-Track	(7/8") - 12'	JT23.145
J-Track	Craftsman	Two Piece J-Track	(7/8") - 12'	JT23S.145
J-Track	Traditional	Two Piece J-Track	(1-3/8") - 12'	1X2JT.145
Corner	Precision	Outside Corner	(3/16") - 12'	05OC.145
Corner	Craftsman	Inside Corner	(3/4") - 12'	1IC.145
Corner	Craftsman	Outside Corner	(1") - 12'	1OC.145
Corner	Traditional	Corner Set	(2") - 12'	2CORS.145
Corner	Traditional	3" Smooth	(3") - 24'	3SCP.289
Corner	Traditional	3" V-Groove	(3") - 24'	3SVP.289
Reveal	Precision	Flat Reveal	(1/2") - 12'	1FR.145
Reveal	Precision	T&G Flat Reveal	(1/2") - 24'	1TGFR.289
Reveal	Craftsman	U-Reveal Set	(3/4") - 12'	1URS.145
Reveal	Craftsman	T&G U-Reveal	(3/4) - 24'	1TGURK.289
Reveal	Traditional	U-Reveal Set	(1-1/2") - 12'	2URS.145
Reveal	Traditional	Flat Reveal Set	(1-1/2") - 12'	2FRS.145
Reveal	Traditional	T&G U-Reveal	(1 1/2") - 24'	2TGURK.289
Reveal	Traditional	Offset Flat Reveal Set, J-Track Base	(2") - 12'	2OFFJ.145
Reveal	Traditional	Offset Flat Reveal Set, Termination Base	(2") - 12'	2OFFT.145
Termination	Precision	Termination Set	(5/8") - 12'	1TS.145
Termination	Craftsman	Termination Set	(7/8") - 12'	TS23S.145
Termination	Traditional	Termination Set	(1-3/8") - 12'	2TS.145
Compression Joints	Traditional	Compression Joint	(1-3/8") - 24'	2CJ.289



V-Groove Planks



Smooth Planks



Channel Planks



Perforated Planks



Bevel Planks

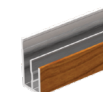


Castellation Planks

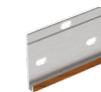
Accessories

Product	Qty	SKU
Quick Screen Clips	1750, box	CLIP.N1750
Quick Screen Clips	100, bag	CLIP.N100
Touch Up Pens	N/A	TUP

Reach out to confirm color with account manager.



Precision Starter J-Track



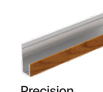
Traditional Starter Strip



Traditional Back-to-Back Starter Strip



Precision Two-Piece J-Track



Precision J-Track



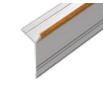
Craftsman J-Track



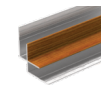
Craftsman Two Piece J-Track



Traditional Two Piece J-Track



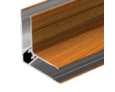
Precision Outside Corner



Craftsman Inside Corner



Craftsman Outside Corner



Traditional Corner Set



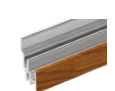
Traditional 3" Smooth Corner



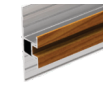
Traditional 3" V Groove Corner



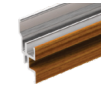
Precision Flat Reveal



Precision T&G Flat Reveal



Craftsman U-Reveal Set



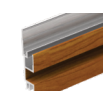
Craftsman T&G U-Reveal



Traditional U-Reveal Set



Traditional Flat Reveal Set



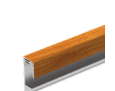
Traditional T&G U-Reveal



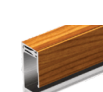
Traditional Offset Flat Reveal Set, J-Track Base



Traditional Offset Flat Reveal Set, Termination Base



Precision Termination Set



Craftsman Termination Set



Traditional Termination Set



Traditional Compression Joint

Link & Lock™ Battens

Size	12'	24'	End Caps (20/box)	End Mounts (20/box)
2"	2X2LL.145	2X2LL.289	2LLEC.2	2LLEM.2
4"	2X4LL.145	2X4LL.289	2LLEC.4	2LLEM.4
6"	2X6LL.145	2X6LL.289	2LLEC.6	2LLEM.6
8"	2X8LL.145	2X8LL.289	2LLEC.8	2LLEM.8

Link & Lock™ HD Battens

4"	2X4LLHD.145	2X4LLHD.289	2LLHDEC.4	2LLHDEM.4
6"	2X6LLHD.145	2X6LLHD.289	2LLHDEC.6	2LLHDEM.6
8"	2X8LLHD.145	2X8LLHD.289	2LLHDEC.8	2LLHDEM.8

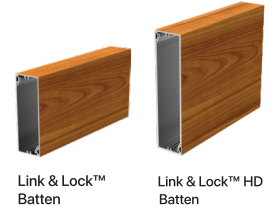
Link & Lock™ Box Battens

4 x 4"	4X4LL.145	4X4LL.289	4LLEC.4	-
4 x 6"	4X6LL.145	4X6LL.289	4LLEC.6	-



Link & Lock™ Box Battens

Mounting Accessories	Qty	SKU
Link & Lock Mounting Clip	48, bag	LLMC.N48
Dewalt® 1/2" Pilot Point Drill Bit	1	DRILLBT.05
24" Link & Lock Internal Stiffener	1	LLSTIFF.289
3M® Double Sided Adhesive Tape - 108'	1, roll	LLTAPE.1296



Link & Lock™ Batten

Link & Lock™ HD Batten

Link & Lock™ Mounting Brackets

Product	Single	Dual
45° LEFT FIXED	LLMBK.45LF	LLMDK.45LF
45° RIGHT FIXED	LLMBK.45RF	LLMDK.45RF
90° CENTER FIXED	LLMBK.90F	LLMDK.90F
45° LEFT SLIDING	LLMBK.45LS	LLMDK.45LS
45° RIGHT SLIDING	LLMBK.45RS	LLMDK.45RS
90° CENTER SLIDING	LLMBK.90S	LLMDK.90S



Single

Dual

Link & Lock™ Mounting Brackets

Privacy Beam System

Size	Product	24'	End Caps (20/box)
1x3"	Privacy Beam	1X3B.289	1BEC.3
1x5"	Privacy Beam	1X5B.289	1BEC.5
2x2"	Single Post	2X2SP.289	2X2PC.2
2x3"	Double Post	2X3DP.289	2X3PC.3

Mounting Accessories	Qty	SKU
Spacer Block	100, box	2X2SB.N100
1" Spacer Bar Stock Length	1	1X2FB.145
1x3" Spacer Bar	100, box	1X2FB.1
1x5" Spacer Bar	100, box	1X2FB.3
3" Mounting Bracket	100, box	3PSMB.1
#10 Black Screws	100, box	PECS.N100



Privacy Beam

Finishes

Woodgrains

Woodgrain	15 Year Finish Warranty	20 Year Finish Warranty	Woodgrain	15 Year Finish Warranty	20 Year Finish Warranty
Beechwood	15BEE	-	Light Oak	15LOK	-
Black Oak	15BKO	-	Light Olive	15LOL	-
Birchwood	15BWD	-	National Mahogany	15NMH	20NMH
Blonde Oak	15BOK	-	Rock Elm	15REM	-
Burnt Cherry	15BCY	-	Southern Yellow Pine	15SYP	-
Dark Acacia	15DAC	20DAC	Table Walnut	15TWL	20LFR
Dark Antique Oak	15DAO	-	Western Cedar	15WCD	-
Dark Bamboo	15DBB	20DBB	White Oak	15WOK	-
Dark Cherry	15DCY	20DCY			
Dark Fir	15DFR	20DFR			
Dark Knotty Pine	15DKP	20DKP			
Dark National Walnut	15DNW	20DNW			
Dark Olive	15DOL	-			
Dark Walnut	15DWL	-			
Driftwood	15DWO	-			
Grey Douglas Fir	15GDF	-			
Grey Hemlock	15GHL	-			
Italian Rosewood	15IRW	20IRW			
Light Bamboo	15LBB	20LBB			
Light Cherry	15LCY	-			
Light Fir	15LFR	20LFR			
Light National Walnut	15LNW	-			

Solid & Specialty

Solid & Specialty	15 Year Finish Warranty	20 Year Finish Warranty
Alabaster	15ALB	-
Baked Clay	15BCL	-
Bedrock	15BRK	-
Biscotti	15BIS	20BIS
Bone White	15BWH	20BWH
Brownstone	15BST	-
Burnt Sienna	15BSN	20BSN
Chili Pepper	15CHP	20CHP
Classic Bronze	15CBZ	20CBZ
Copper Penny	15CPE	20CPE
Dark Brown	15DBR	20DBR
Imperial Slate	15ISL	20ISL
Limestone	15LST	-
Medium Blue	15MBL	20MBL
Moonstone	15MOO	20MOO
Onyx Black	15OBL	20OBL
Pebble	15PEB	-
Portland Stone	15PST	-
Relicstone	15RST	-
Shale	15SHA	20SHA
Slate Grey	15SGR	20SGR
Ultra White	15UWH	20UWH
Venus	15VEN	20VEN

Naturally Aged Metals

Naturally Aged Metals	15 Year Finish Warranty	20 Year Finish Warranty
Brooklyn	15BRK	-
Eiffel	15EIF	-
Empire	15EMP	-
Golden Gate	15GGA	-
Liberty	15LIB	-

Example of complete product SKU

6V.289.15DFR
(Product.Length.Finish)

Finish Options

Achieve your vision.

Whether creating a space that offers the warmth and appearance of Woodgrains, or the modern industrialized look of Naturally Aged Metals, we have a finish option for you.

Require a custom finish or color? Our experienced color-matching team can make it a reality!

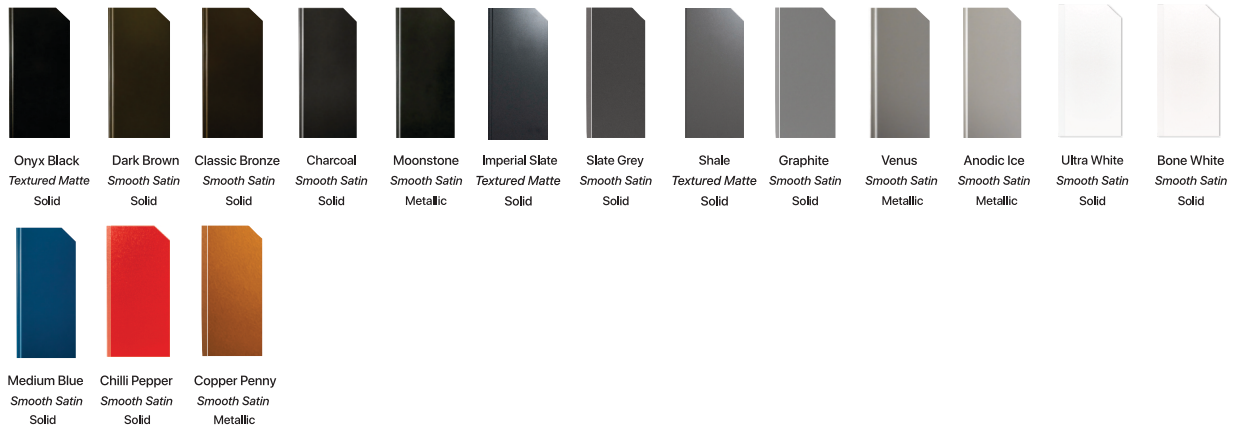
Contact us to confirm lead times for orders greater than 15k sq.ft in the Most Popular Finishes category.

Woodgrains

Longboard's woodgrain finishes have a slight texture with matte sheen.



Solid & Specialty



Longboard Finish Classification

Type: Woodgrain / Solid / Metallic / Speckle / Naturally Aged Metal
Surface: Smooth / Textured
Sheen: Matte / Satin / Glossy
Performance: AAMA 2604 / AAMA 2605
Finish Warranty: 15 Year / 20 Year

Speckle



Naturally Aged Metals



15 Year Non-Prorated Powder Coating Finish - 50 Year Non-Prorated Extruded Aluminum Profiles [Limited Warranty]

Warranty granted to (building owner):
Product codes: Product description:
Install contractor
Project name
Project address
Address 2
Install start date
Finish:
Date of substantial completion

Longboard Architectural Products Inc. ("Longboard," "The Company") products as identified by the Product Codes listed will conform to the standards set out in Clause 1 and Clause 2 of this Warranty, subject to the terms and conditions set out in Clause 3 and 4 of this Warranty.

This Pinnacle warranty is valid for applications within Canada and USA only. All applications outside of Canada and USA are required to contact Longboard for assistance.

Clause 1

Extruded Aluminum Profile(s) with Powder Coat Finish Longboard expressly warrants that its product line is free from manufacturing defects in material or workmanship.

- 1.1 When product is applied according to Longboard instructions and properly maintained, such product is guaranteed against the following:
- 1.2 Buckling: The product itself will be free of any buckling that is not associated with the substrate and/or structure to which the Longboard system is attached. For the purpose of this warranty, buckling shall be defined as warping of the product(s) exceeding one sixteenth of an inch out of plane per linear foot.
- 1.3 Corrosion: When installed in normal atmospheric conditions according to Longboard instructions and properly maintained, such product is further guaranteed against rusting and corroding. Subject to the limitations set out in Clause 3 and 4.
- 1.4 What we will do: If, during the fifteen (15) year Limited Warranty Period on the powder coating finish, the Product is defective in material or workmanship, Longboard will, in its sole discretion, either repair or replace the defective portion of the Product.
- 1.5 What we will do: If, during the fifty (50) year Limited Warranty Period on the extruded aluminum profiles, the Product is defective in material or workmanship, Longboard will, in its sole discretion, either repair or replace the defective portion of the Product.
- 1.6 After the 15th year, this Limited Warranty on the powder coated finish will expire and shall no longer be applicable.
- 1.7 After the 50th year, this Limited Warranty on the aluminum extruded profile(s) will expire and shall no longer be applicable.
- 1.8 Longboard replacement of the defective Product or reimbursement of this Limited Warranty is the exclusive remedy for the Covered Person for any defect in materials or workmanship. The Company will pay for all reasonable costs including material and labor as it relates to the repair and / or replacement of the defective Product.

Clause 2

Product Finish - AAMA 2604 Performance Specification

- 2.1 During the first fifteen (15) years of this warranty:
- 2.2 Checking/Cracking: No visible checking or cracking of the product finish on the building.
- 2.3 Chalking Resistance: No chalking of the product finish on the building in excess of that represented by No.8 rating based on ASTM D4214.
- 2.4 Color Retention: No color change of the product finish on the building greater than 5 (five) CIE Lab ΔE units calculated in accordance with ASTM 2244 Section 6.3. Color change shall be measured on the exposed paint surface which has been cleaned of oil, grease, chalk, oxidized film or other contaminants, corresponding values shall be measured on the control panel.
- 2.5 Gloss Retention: Coated surface will exhibit gloss retention of a minimum of 30% of the original. Gloss retention shall

be measured on the exposed paint surface which has been cleaned of oil, grease, chalk, oxidized film or other contaminants, corresponding values shall be measured on the control panel.

- 2.6 Adhesion: Adhesion of product finish when initially applied to test panels and measured by reference to AAMA 2604-02 Clause 7.4.2 will show no removal of the film.

Clause 3

- 3.1 Warranty Terms and Conditions:
- 3.2 The "Warranty Period" for the warranties in Clause 1 shall mean the respective number of years or for as long as the Covered Person commencing on the date of substantial completion named above shall live and own the property on which the material was originally installed.
- 3.3 Registration of the product is required within ninety (90) days from substantial completion for the warranty to be in effect. This warranty is valid for the original owner and one other subsequent owner of the structure where the product(s) have been installed.
- 3.4 Normal atmospheric conditions exclude corrosive or aggressive atmospheres such as those contaminated with chemical fumes or other corrosive elements. The product finish is not meant for marine use on boats, ships or offshore platforms.
- 3.5 The product finish warranties as outlined in Clause 2 shall include coverage of the finish as it relates to the impact affects from hail and woodpecker birds.
- 3.6 Under no circumstance shall Longboard's liability under this limited warranty exceed 2.5 times the total corresponding Longboard material cost (excluding sales tax, labor and installation related costs) as noted on the original purchase invoice and paid by the Buyer for the specific project.

Clause 4

- 4.1 This warranty will not extend or cover:
- 4.2 Damages to the coated metal caused by handling, shipping, processing and/or installation; or
- 4.3 Damages to the coated metal caused by scratching or abrading after installation; or
- 4.4 Damages to the coated metal as a result of standing water in horizontal installations.
- 4.5 The warranty will not be applicable to damage or failure, which is caused by acts of God, falling objects, external forces, explosions, fire, riots, civil commotion's, acts of war, or other such similar or dissimilar occurrences beyond The Company's control.
- 4.6 Customer shall make available to The Company the dates of the installation of the coated metal, the maintenance records including details of washing and cleaning procedures in compliance with the cleaning requirements as stated in the Required Maintenance section of this warranty. Customers shall demonstrate that the failure of the coated metal was due to a breach of the warranty stated herein.
- 4.7 Claims must be made in writing to Longboard within 30 days of the discovery of a problem and authorization obtained prior to beginning any repair and/or refinishing work.

The claimant must provide proof of coverage. Claims can be made by writing to Longboard at the Product Performance Department. After receiving such notice, The Company must be given a reasonable opportunity to inspect and verify the claim.

- 4.8 Longboard exclusive liability under this warranty, or otherwise, will be limited to refinishing and/or repairing, at The Company's sole discretion, the defective powder coated product. The warranty on any refinished, repaired or replaced coated metal supplied hereunder shall be for the remainder of the warranty period applicable to the originally coated metal. All warranty work will be performed by a company or contractor selected by Longboard. Color variance between refinished and/or repainted product and original shall not be indicative of a defect.
- 4.9 This warranty represents the entire agreement between parties in relation to its subject matter and supersedes any previous agreement whether written or oral between the parties in relation to its subject matter. The limited warranties state the entire liability of Longboard with respect to the products covered by them. The Company shall have no liability for any incidental or consequential damages. No person is authorized to make any representation or warranty on behalf of Longboard except as expressly set forth above, and any such statement shall not be binding on The Company. Except as expressly set forth above, Longboard makes no warranty of any kind, express or implied, including, without limitation, any implied warranty of merchantability or fitness for a particular purpose. Warranties shall be the duration of the limited warranty, or such shorter duration as provided under applicable local law. These limited warranties give you specific legal rights, and you may also have other rights which vary from area to area.
- 4.10 Nothing in this warranty shall be construed as a warranty of the workmanship of any installer or as imposing on Longboard any liability for unsatisfactory performance caused by faulty workmanship in installation.
- 4.11 It's agreed all parties involved that all claims and disputes relating to this agreement that cannot be settled through negotiation will try in good faith to first settle the dispute by mediation administered by the American Arbitration Association (Construction Industry Mediation Procedures) as a prelude to mandatory binding arbitration. Such binding arbitration is to be conducted and administered by the Construction Industry Arbitration Rules of the American Arbitration Association. Both seller and purchaser agree to share equally in the costs of both mediation and arbitration and that such binding arbitration will be the sole and final remedial action.
- 4.12 Required Maintenance. Depending on the Project Environment, follow the maintenance schedule as outlined in the Longboard Care & Maintenance Guide. Use a soft sponge or cloth, water and mild detergent, non-abrasive soap with the pH range of 5-9 to clean the powder coated area of dirt, grime and other debris. Pressure washing and the use of harsh detergents or chemicals is not recommended. Include in your maintenance records the following: date, time, specific products used, name of maintenance person and their designation, maintenance company name and general condition of the powder coated finish.

I have read and agree to the terms of the Longboard® Product 15 year powder coated surface and 50 year aluminum extruded profile(s) warranty and acknowledge receipt of a copy of the Warranty Certificate.

Name of owner or contractor:
Date:
Signature:


Duly authorized on behalf of Longboard:

Name and designation:
Date:
Signature:

20 Year Non-Prorated Powder Coating Finish - 50 Year Non-Prorated Extruded Aluminum Profiles [Limited Warranty]

Warranty granted to (building owner):

Product codes: Product description:

Install contractor

Project name

Project address

Address 2

Install start date

Longboard Architectural Products Inc. ("Longboard," "The Company") products as identified by the Product Codes listed will conform to the standards set out in Clause 1 and Clause 2 of this Warranty, subject to the terms and conditions set out in Clause 3 and 4 of this Warranty.

Finish:

Date of substantial completion

This Pinnacle warranty is valid for applications within Canada and USA only. All applications outside of Canada and USA are required to contact Longboard for assistance.

Clause 1

Extruded Aluminum Profile(s) with Powder Coat Finish Longboard expressly warrants that its product line is free from manufacturing defects in material or workmanship.

- 1.1. When product is applied according to Longboard instructions and properly maintained, such product is guaranteed against the following:
- 1.2. Buckling: The product itself will be free of any buckling that is not associated with the substrate and/or structure to which the Longboard system is attached. For the purpose of this warranty, buckling shall be defined as warping of the product(s) exceeding one sixteenth of an inch out of plane per linear foot.
- 1.3. Corrosion: When installed in normal atmospheric conditions according to Longboard instructions and properly maintained, such product is further guaranteed against rusting and corroding. Subject to the limitations set out in Clause 3 and 4.
- 1.4. What we will do: If, during the twenty (20) year Limited Warranty Period on the powder coating finish, the Product is defective in material or workmanship, Longboard will, in its sole discretion, either repair or replace the defective portion of the Product.
- 1.5. What we will do: If, during the fifty (50) year Limited Warranty Period on the extruded aluminum profiles, the Product is defective in material or workmanship, Longboard will, in its sole discretion, either repair or replace the defective portion of the Product.
- 1.6. After the 20th year, this Limited Warranty on the powder coated finish will expire and shall no longer be applicable.
- 1.7. After the 50th year, this Limited Warranty on the aluminum extruded profile(s) will expire and shall no longer be applicable.
- 1.8. Longboard replacement of the defective Product or reimbursement of this Limited Warranty is the exclusive remedy for the Covered Person for any defect in materials or workmanship. The Company will pay for all reasonable costs including material and labor as it relates to the repair and / or replacement of the defective Product.

Clause 2

Product Finish - AAMA 2605 Performance Specification

- 2.1. During the first twenty (20) years of this warranty:
- 2.2. Checking/Cracking: No visible checking or cracking of the product finish on the building.
- 2.3. Chalking Resistance: No chalking of the product finish on the building in excess of that represented by No.8 rating based on ASTM D4214.
- 2.4. Color Retention: No color change of the product finish on the building greater than 5 (five) CIE Lab ΔE units calculated in accordance with ASTM 2244 Section 6.3. Color change shall be measured on the exposed paint surface which has been cleaned of oil, grease, chalk, oxidized film or other contaminants, corresponding values shall be measured on the control panel.
- 2.5. Gloss Retention: Coated surface will exhibit gloss retention of a minimum of 50% of the original. Gloss retention shall

be measured on the exposed paint surface which has been cleaned of oil, grease, chalk, oxidized film or other contaminants, corresponding values shall be measured on the control panel.

- 2.6. Adhesion: Adhesion of product finish when initially applied to test panels and measured by reference to AAMA 2605-02 Clause 7.4.2 will show no removal of the film.

Clause 3

- 3.1. Warranty Terms and Conditions:
- 3.2. The "Warranty Period" for the warranties in Clause 1 shall mean the respective number of years or for as long as the Covered Person commencing on the date of substantial completion named above shall live and own the property on which the material was originally installed.
- 3.3. Registration of the product is required within ninety (90) days from substantial completion for the warranty to be in effect. This warranty is valid for the original owner and one other subsequent owner of the structure where the product(s) have been installed.
- 3.4. Normal atmospheric conditions exclude corrosive or aggressive atmospheres such as those contaminated with chemical fumes or other corrosive elements. The product finish is not meant for marine use on boats, ships or offshore platforms.
- 3.5. The product finish warranties as outlined in Clause 2 shall include coverage of the finish as it relates to the impact affects from hail and woodpecker birds.
- 3.6. Under no circumstance shall Longboard's liability under this limited warranty exceed 2.5 times the total corresponding Longboard material cost (excluding sales tax, labor and installation related costs) as noted on the original purchase invoice and paid by the Buyer for the specific project.

Clause 4

- 4.1. This warranty will not extend or cover:
- 4.2. Damages to the coated metal caused by handling, shipping, processing and/or installation; or
- 4.3. Damages to the coated metal caused by scratching or abrading after installation; or
- 4.4. Damages to the coated metal as a result of standing water in horizontal installations.
- 4.5. The warranty will not be applicable to damage or failure, which is caused by acts of God, falling objects, external forces, explosions, fire, riots, civil commotion's, acts of war, or other such similar or dissimilar occurrences beyond The Company's control.
- 4.6. Customer shall make available to The Company the dates of the installation of the coated metal, the maintenance records including details of washing and cleaning procedures in compliance with the cleaning requirements as stated in the Required Maintenance section of this warranty. Customers shall demonstrate that the failure of the coated metal was due to a breach of the warranty stated herein.
- 4.7. Claims must be made in writing to Longboard within 30 days of the discovery of a problem and authorization obtained prior to beginning any repair and/or refinishing work.

The claimant must provide proof of coverage. Claims can be made by writing to Longboard at the Product Performance Department. After receiving such notice, The Company must be given a reasonable opportunity to inspect and verify the claim.

- 4.8. Longboard exclusive liability under this warranty, or otherwise, will be limited to refinishing and/or repairing, at The Company's sole discretion, the defective powder coated product. The warranty on any refinished, repaired or replaced coated metal supplied hereunder shall be for the remainder of the warranty period applicable to the originally coated metal. All warranty work will be performed by a company or contractor selected by Longboard. Color variance between refinished and/or repainted product and original shall not be indicative of a defect.
- 4.9. This warranty represents the entire agreement between parties in relation to its subject matter and supersedes any previous agreement whether written or oral between the parties in relation to its subject matter. The limited warranties state the entire liability of Longboard with respect to the products covered by them. The Company shall have no liability for any incidental or consequential damages. No person is authorized to make any representation or warranty on behalf of Longboard except as expressly set forth above, and any such statement shall not be binding on The Company. Except as expressly set forth above, Longboard makes no warranty of any kind, express or implied, including, without limitation, any implied warranty of merchantability or fitness for a particular purpose. Warranties shall be the duration of the limited warranty, or such shorter duration as provided under applicable local law. These limited warranties give you specific legal rights, and you may also have other rights which vary from area to area.
- 4.10. Nothing in this warranty shall be construed as a warranty of the workmanship of any installer or as imposing on Longboard any liability for unsatisfactory performance caused by faulty workmanship in installation.
- 4.11. It's agreed all parties involved that all claims and disputes relating to this agreement that cannot be settled through negotiation will try in good faith to first settle the dispute by mediation administered by the American Arbitration Association (Construction Industry Mediation Procedures) as a prelude to mandatory binding arbitration. Such binding arbitration is to be conducted and administered by the Construction Industry Arbitration Rules of the American Arbitration Association. Both seller and purchaser agree to share equally in the costs of both mediation and arbitration and that such binding arbitration will be the sole and final remedial action.
- 4.12. Required Maintenance. Depending on the Project Environment, follow the maintenance schedule as outlined in the Longboard Care & Maintenance Guide. Use a soft sponge or cloth, water and mild detergent, non-abrasive soap with the pH range of 5-9 to clean the powder coated area of dirt, grime and other debris. Pressure washing and the use of harsh detergents or chemicals is not recommended. Include in your maintenance records the following: date, time, specific products used, name of maintenance person and their designation, maintenance company name and general condition of the powder coated finish.

I have read and agree to the terms of the Longboard® Product 20 year powder coated surface and 50 year aluminum extruded profile(s) warranty and acknowledge receipt of a copy of the Warranty Certificate.

Name of owner or contractor:

Date:

Signature:



Duly authorized on behalf of Longboard:

Name and designation:

Date:

Signature: