

EXTERIOR PRIVACY BEAMS OPEN JOINT CLADDING TYPICAL DETAILS

TABLE OF CONTENT

(Click on the drawing name below to be directed to the right profile)

[FLOATING SYSTEM ON SUBSTRATE – SIDE SECTION](#)

[FLOATING SYSTEM ON SUBSTRATE – TOP SECTION](#)

[FLOATING SYSTEM ON SUBSTRATE – 3D VIEW](#)

[FLOATING SYSTEM – INSIDE CORNER DETAIL](#)

[FLOATING SYSTEM – INSIDE CORNER 3D](#)

[END FRAME SYSTEM – SIDE SECTION](#)

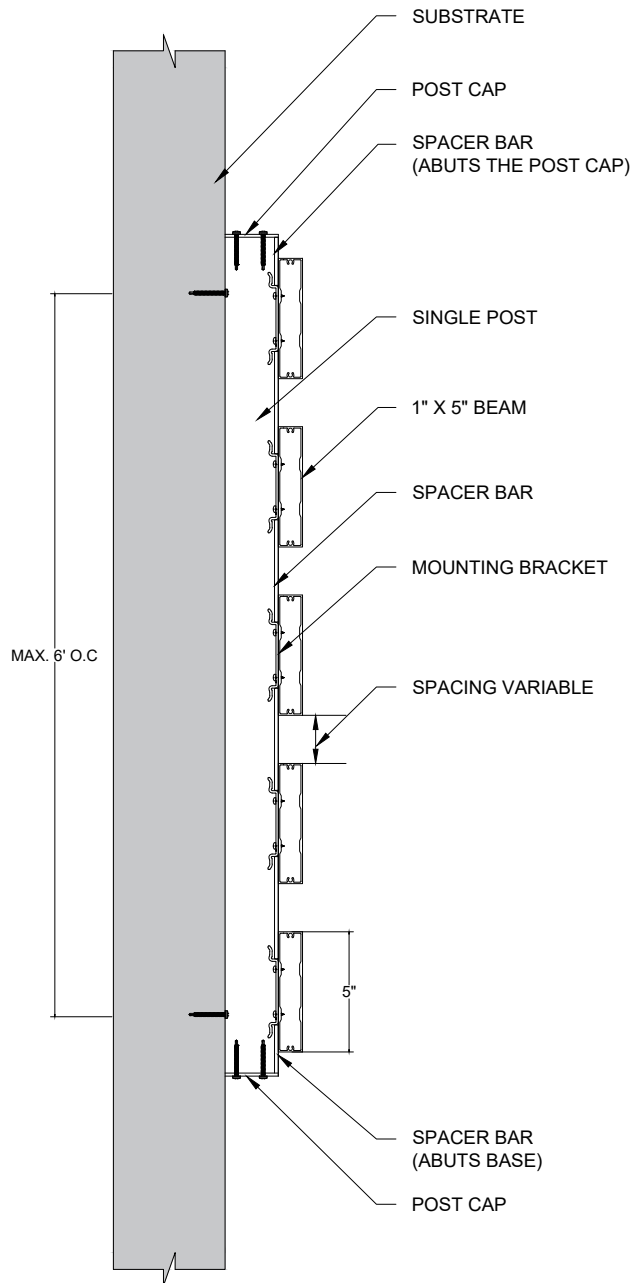
[END FRAME SYSTEM – TOP VIEW](#)

[END FRAME SYSTEM – 3D VIEW](#)

[GAP BETWEEN BEAMS](#)

[SPACING OF BEAMS – 1 X 3 BEAMS](#)

[SPACING OF BEAMS – 1 X 5 BEAMS](#)

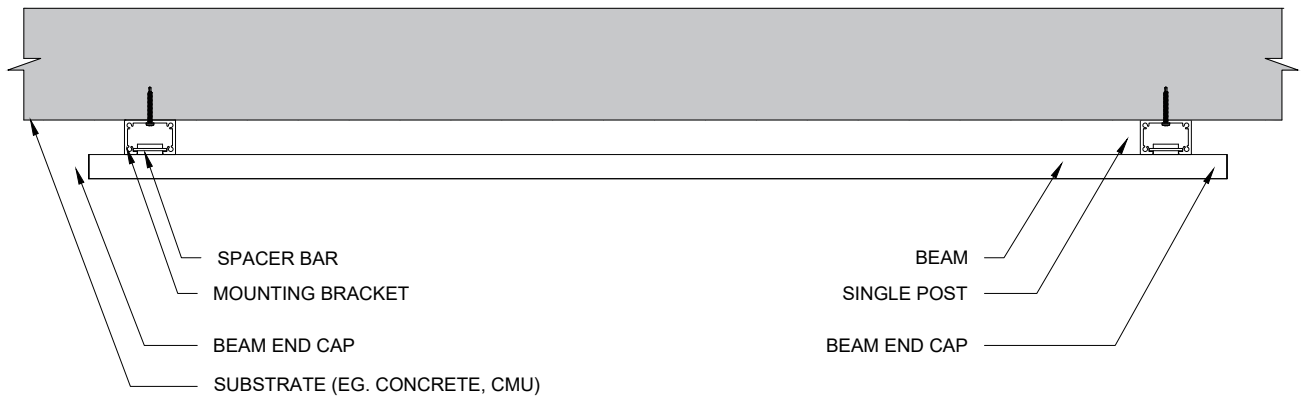


These drawings are published as an information guide only. These CAD drawings are intended as templates to assist the designer, they do not contain the full detail required for construction and must be read in conjunction with the installation instructions on www.longboardproducts.com. You should obtain architectural, engineering or other technical advice to assess the suitability of these drawings to the requirements of your particular project. Longboard Architectural Products accepts no liability in respect to the use of these drawings. For complete installation instructions refer to the appropriate documentation here www.longboardproducts.com/resources/technical-documentation/installation-guides

PRIVACY BEAMS FLOATING SYSTEM ON SUBSTRATE - SIDE SECTION VIEW

SCALE: 1-1/2" = 1'-0"

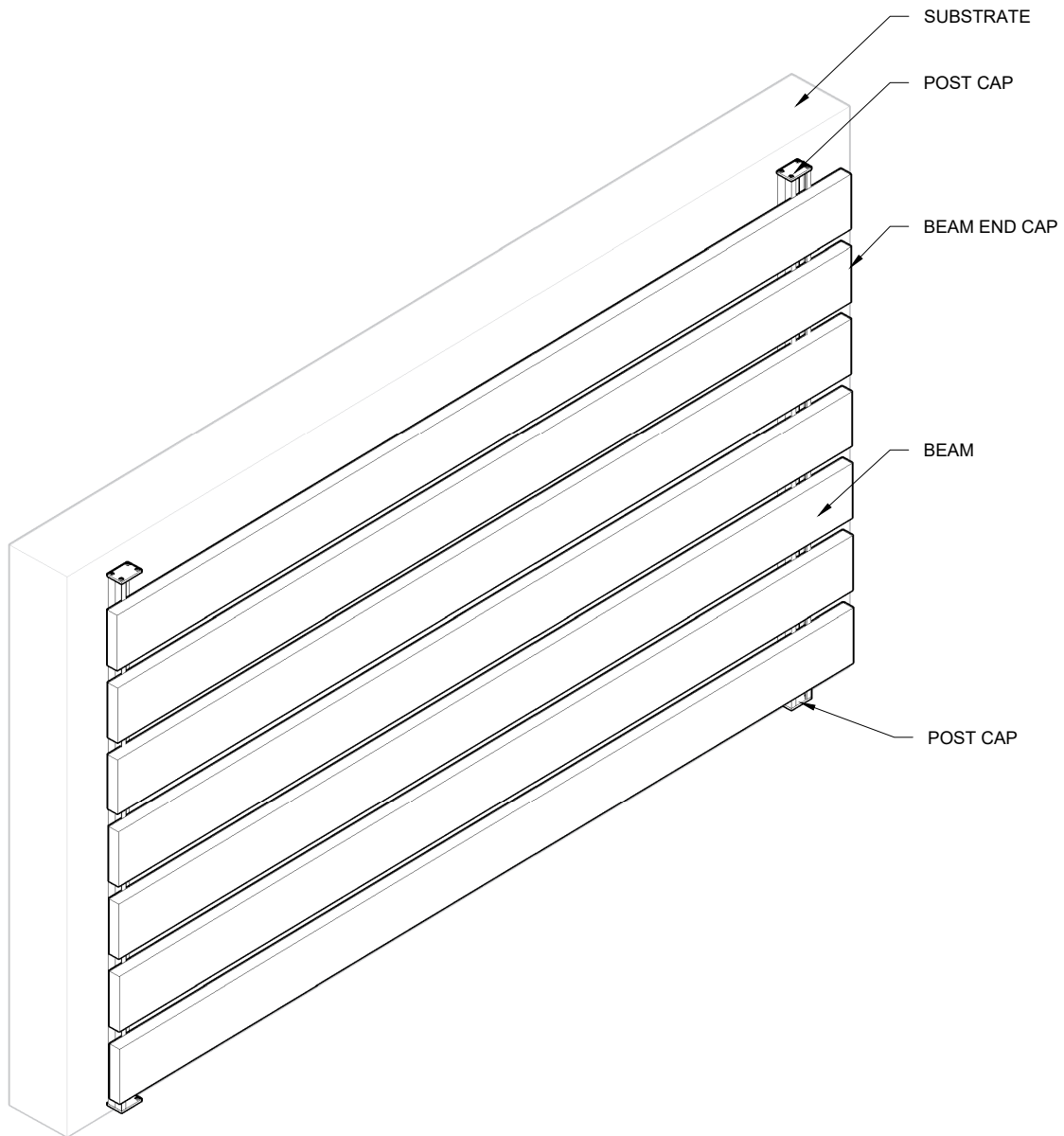




These drawings are published as an information guide only. These CAD drawings are intended as templates to assist the designer, they do not contain the full detail required for construction and must be read in conjunction with the installation instructions on www.longboardproducts.com. You should obtain architectural, engineering or other technical advice to assess the suitability of these drawings to the requirements of your particular project. Longboard Architectural Products accepts no liability in respect to the use of these drawings. For complete installation instructions refer to the appropriate documentation here www.longboardproducts.com/resources/technical-documentation/installation-guides

PRIVACY BEAMS
 FLOATING SYSTEM ON SUBSTRATE -
 TOP SECTION VIEW
 SCALE: 1-1/2" = 1'-0"

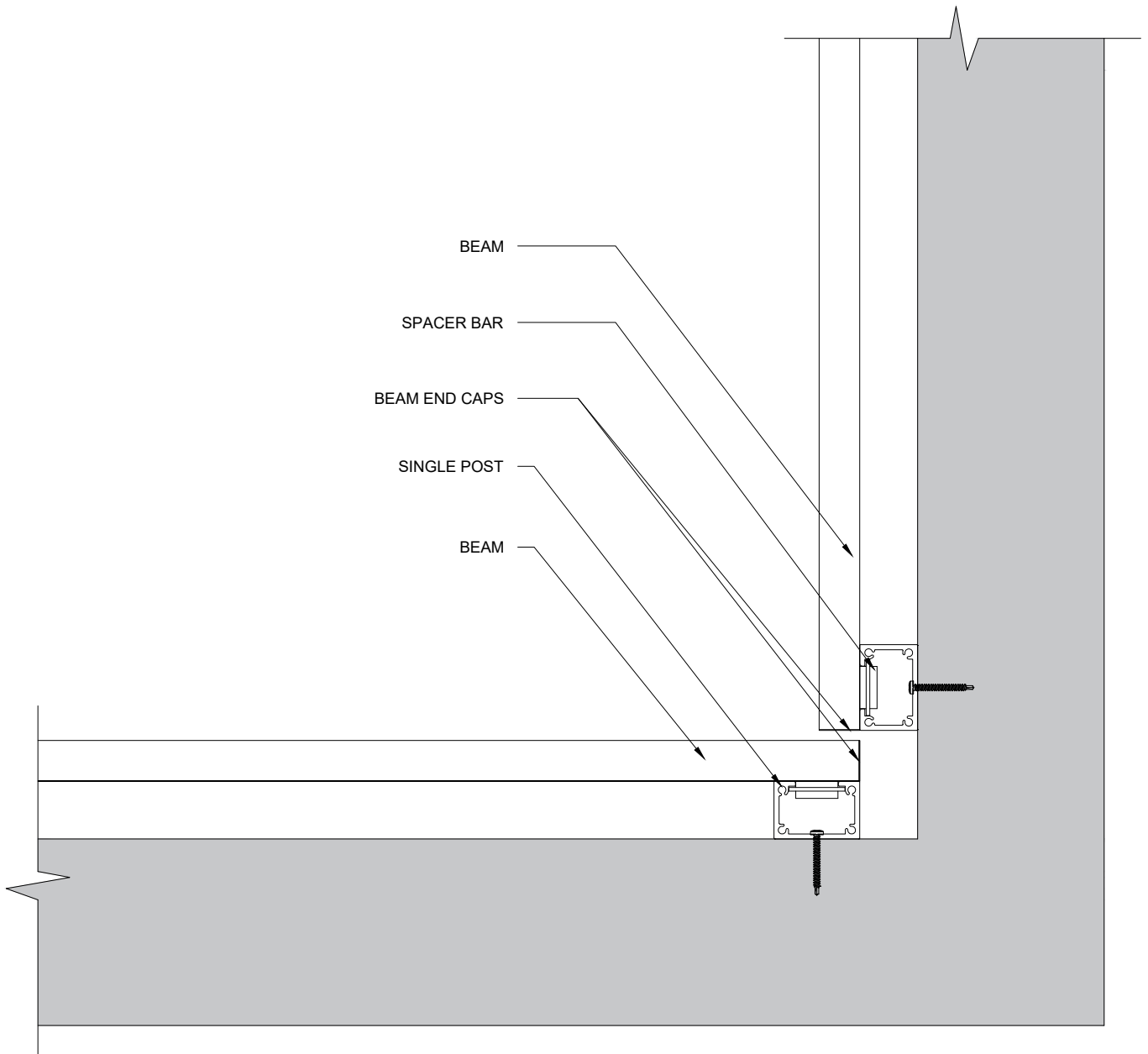




These drawings are published as an information guide only. These CAD drawings are intended as templates to assist the designer, they do not contain the full detail required for construction and must be read in conjunction with the installation instructions on www.longboardproducts.com. You should obtain architectural, engineering or other technical advice to assess the suitability of these drawings to the requirements of your particular project. Longboard Architectural Products accepts no liability in respect to the use of these drawings. For complete installation instructions refer to the appropriate documentation here www.longboardproducts.com/resources/technical-documentation/installation-guides

PRIVACY BEAMS FLOATING SYSTEM ON SUBSTRATE - 3D VIEW





BEAM

SPACER BAR

BEAM END CAPS

SINGLE POST

BEAM

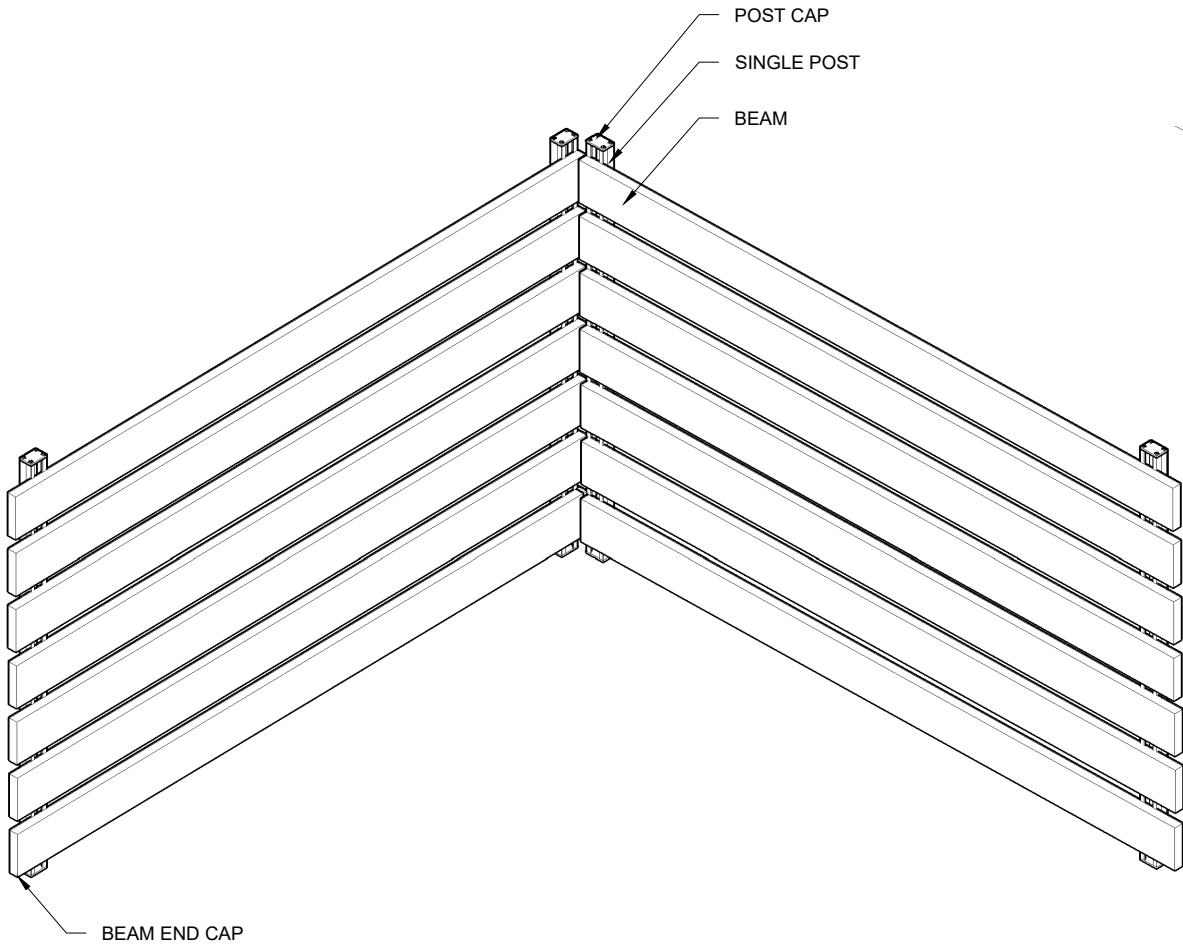
These drawings are published as an information guide only. These CAD drawings are intended as templates to assist the designer, they do not contain the full detail required for construction and must be read in conjunction with the installation instructions on www.longboardproducts.com. You should obtain architectural, engineering or other technical advice to assess the suitability of these drawings to the requirements of your particular project. Longboard Architectural Products accepts no liability in respect to the use of these drawings. For complete installation instructions refer to the appropriate documentation here www.longboardproducts.com/resources/technical-documentation/installation-guides

PRIVACY BEAMS FLOATING SYSTEM - INSIDE CORNER DETAIL

SCALE: 3" = 1'-0"



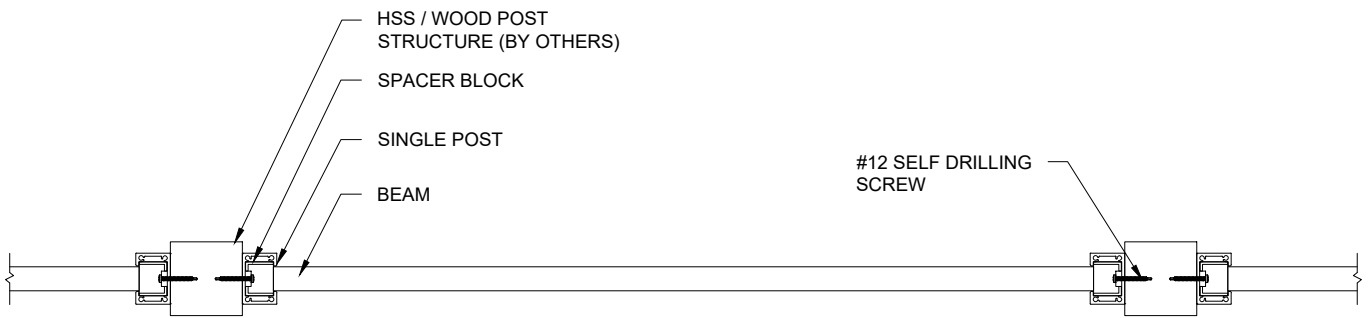
ISSUE DATE: 2024-02-09



These drawings are published as an information guide only. These CAD drawings are intended as templates to assist the designer, they do not contain the full detail required for construction and must be read in conjunction with the installation instructions on www.longboardproducts.com. You should obtain architectural, engineering or other technical advice to assess the suitability of these drawings to the requirements of your particular project. Longboard Architectural Products accepts no liability in respect to the use of these drawings. For complete installation instructions refer to the appropriate documentation here www.longboardproducts.com/resources/technical-documentation/installation-guides

PRIVACY BEAMS FLOATING SYSTEM - INSIDE CORNER 3D



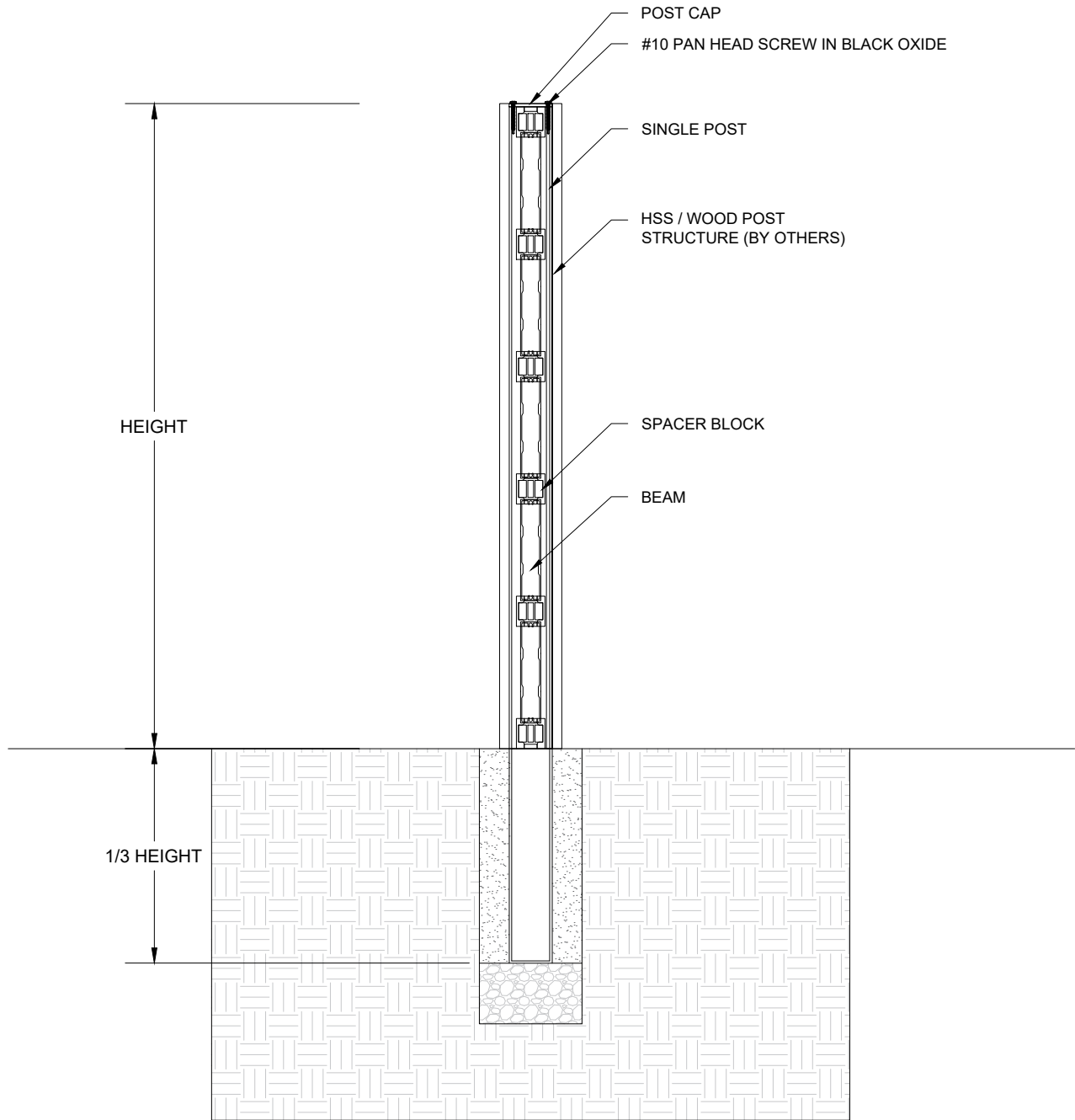


These drawings are published as an information guide only. These CAD drawings are intended as templates to assist the designer, they do not contain the full detail required for construction and must be read in conjunction with the installation instructions on www.longboardproducts.com. You should obtain architectural, engineering or other technical advice to assess the suitability of these drawings to the requirements of your particular project. Longboard Architectural Products accepts no liability in respect to the use of these drawings. For complete installation instructions refer to the appropriate documentation here www.longboardproducts.com/resources/technical-documentation/installation-guides

PRIVACY BEAMS END FRAME SYSTEM - TOP SECTION

SCALE: 1-1/2" = 1'=0"



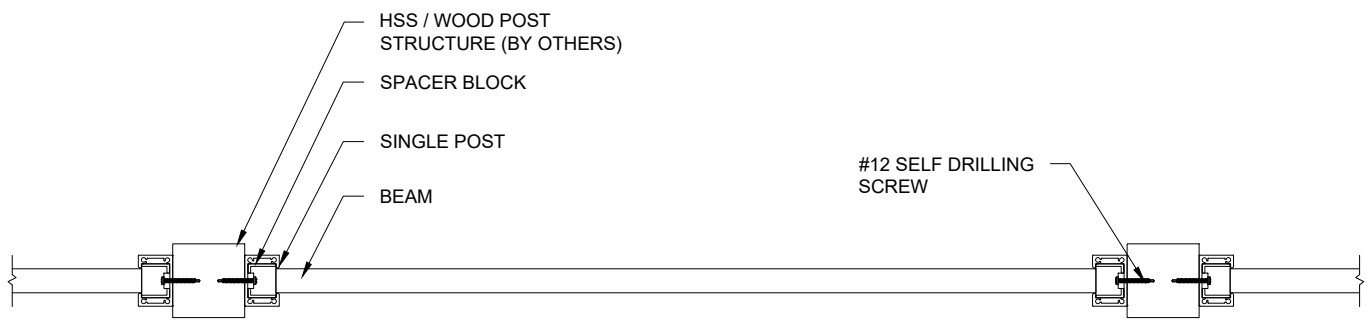


These drawings are published as an information guide only. These CAD drawings are intended as templates to assist the designer, they do not contain the full detail required for construction and must be read in conjunction with the installation instructions on www.longboardproducts.com. You should obtain architectural, engineering or other technical advice to assess the suitability of these drawings to the requirements of your particular project. Longboard Architectural Products accepts no liability in respect to the use of these drawings. For complete installation instructions refer to the appropriate documentation here www.longboardproducts.com/resources/technical-documentation/installation-guides

PRIVACY BEAMS END FRAME SYSTEM - SIDE SECTION VIEW

SCALE: 1-1/2" = 1'-0"





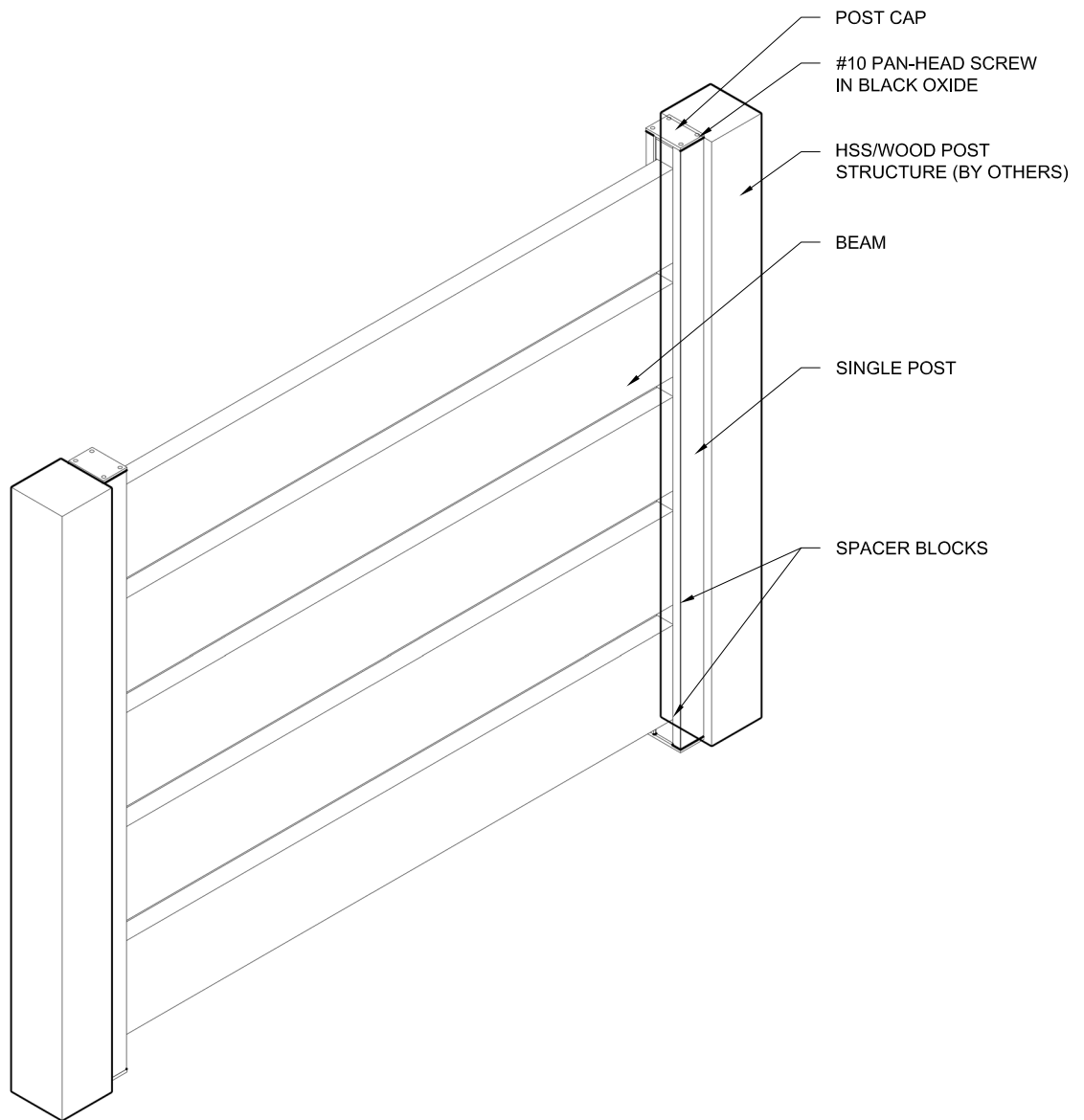
These drawings are published as an information guide only. These CAD drawings are intended as templates to assist the designer, they do not contain the full detail required for construction and must be read in conjunction with the installation instructions on www.longboardproducts.com. You should obtain architectural, engineering or other technical advice to assess the suitability of these drawings to the requirements of your particular project. Longboard Architectural Products accepts no liability in respect to the use of these drawings. For complete installation instructions refer to the appropriate documentation here www.longboardproducts.com/resources/technical-documentation/installation-guides

EXTERIOR PRIVACY BEAMS END FRAME SYSTEM - TOP SECTION

SCALE: 1-1/2" = 1'=0"



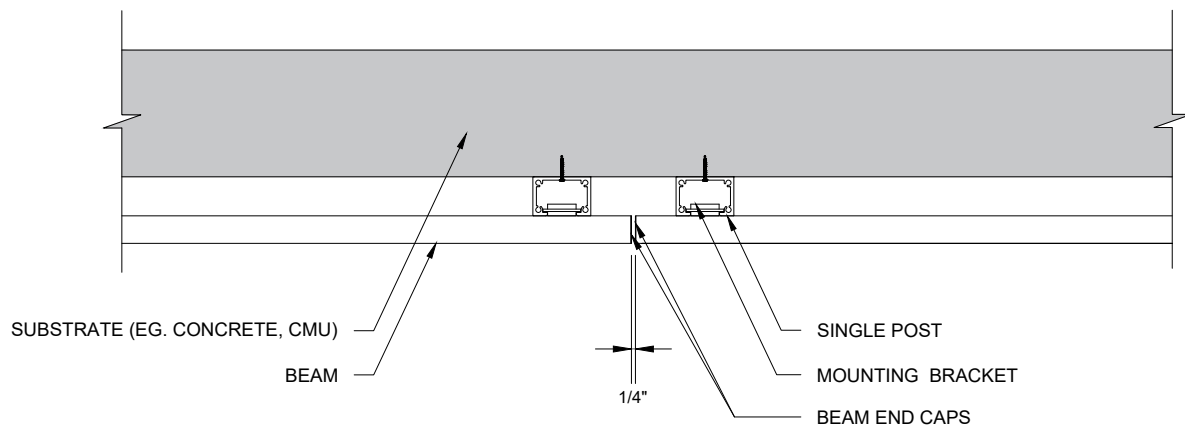
ISSUE DATE: 2024-02-09



These drawings are published as an Information guide only. These CAD drawings are intended as templates to assist the designer, they do not contain the full detail required for construction and must be read in conjunction with the installation instructions on www.longboardproducts.com. You should obtain architectural, engineering or other technical advice to assess the suitability of these drawings to the requirements of your particular project. Longboard Architectural Products accepts no liability in respect to the use of these drawings. For complete installation instructions refer to the appropriate documentation here www.longboardproducts.com/resources/technical-documentation/installation-guides

PRIVACY BEAMS END FRAME SYSTEM - 3D VIEW



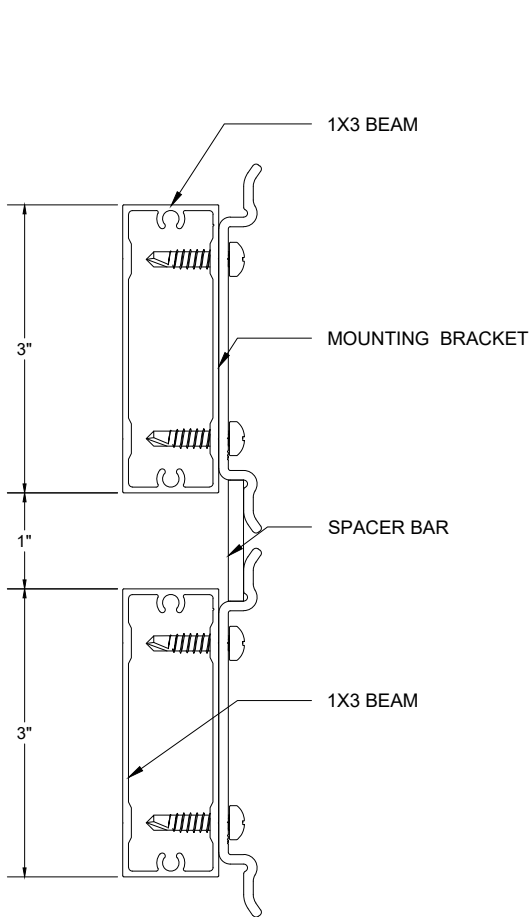


These drawings are published as an information guide only. These CAD drawings are intended as templates to assist the designer, they do not contain the full detail required for construction and must be read in conjunction with the installation instructions on www.longboardproducts.com. You should obtain architectural, engineering or other technical advice to assess the suitability of these drawings to the requirements of your particular project. Longboard Architectural Products accepts no liability in respect to the use of these drawings. For complete installation instructions refer to the appropriate documentation here www.longboardproducts.com/resources/technical-documentation/installation-guides

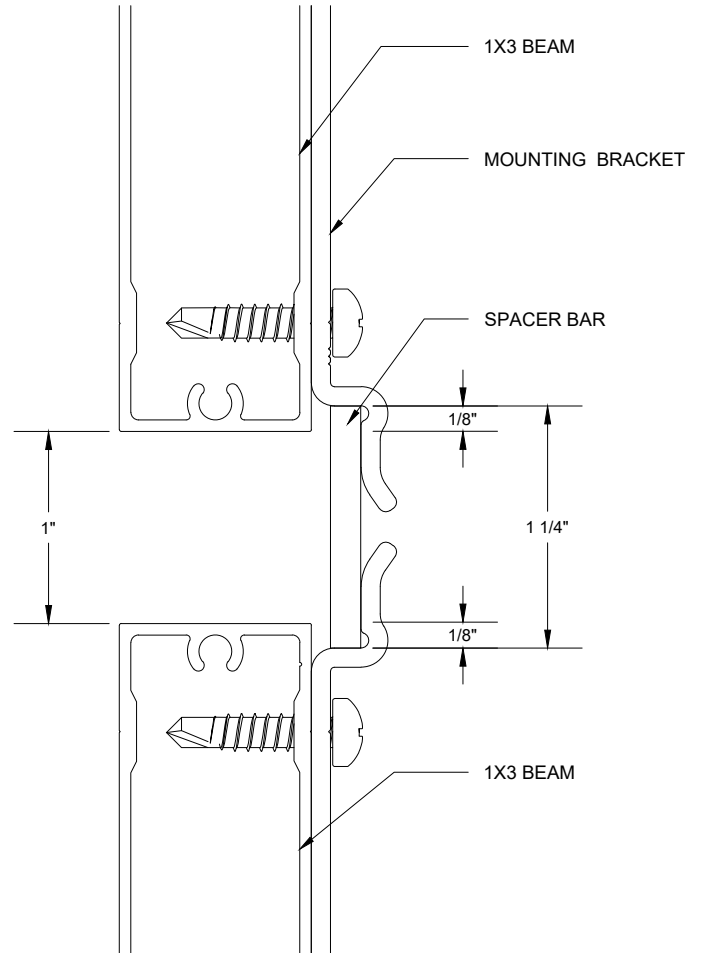
PRIVACY BEAMS GAP BETWEEN BEAMS

SCALE: 1" = 1'-0"





SCALE: 6" = 1'-0"



SCALE: 1'-0" = 1'-0"

SPACER BAR LENGTH (in) : $N + 1/4$ "
 WHERE 'N' IS DESIRED BEAM SPACING IN INCHES

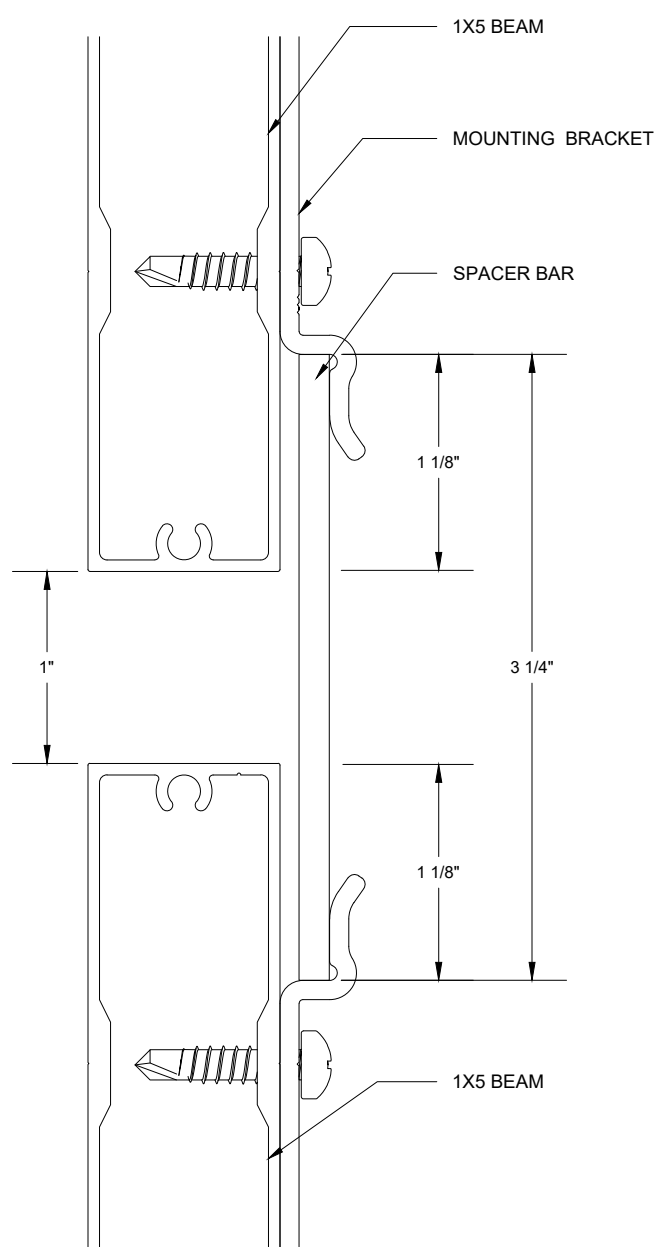
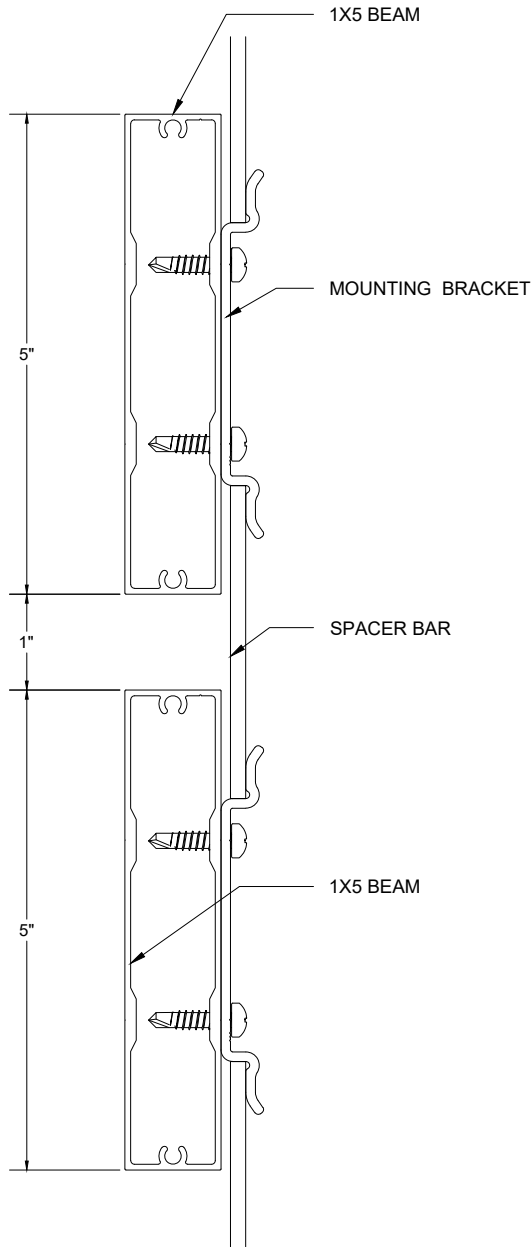
These drawings are published as an information guide only. These CAD drawings are intended as templates to assist the designer, they do not contain the full detail required for construction and must be read in conjunction with the installation instructions on www.longboardproducts.com. You should obtain architectural, engineering or other technical advice to assess the suitability of these drawings to the requirements of your particular project. Longboard Architectural Products accepts no liability in respect to the use of these drawings. For complete installation instructions refer to the appropriate documentation here www.longboardproducts.com/resources/technical-documentation/installation-guides

PRIVACY BEAMS SPACING OF THE BEAMS - 1X3 BEAMS

SCALE: AS INDICATED



ISSUE DATE: 2024-02-09



SCALE: 6" = 1'-0"

SCALE: 1'-0" = 1'-0"

SPACER BAR LENGTH (in) : $N + 2 \frac{1}{4}$ "
 WHERE 'N' IS DESIRED BEAM SPACING IN INCHES

These drawings are published as an information guide only. These CAD drawings are intended as templates to assist the designer, they do not contain the full detail required for construction and must be read in conjunction with the installation instructions on www.longboardproducts.com. You should obtain architectural, engineering or other technical advice to assess the suitability of these drawings to the requirements of your particular project. Longboard Architectural Products accepts no liability in respect to the use of these drawings. For complete installation instructions refer to the appropriate documentation here www.longboardproducts.com/resources/technical-documentation/installation-guides

PRIVACY BEAMS
 SPACING OF THE BEAMS - 1X5 BEAMS

SCALE: AS INDICATED



ISSUE DATE: 2024-02-09