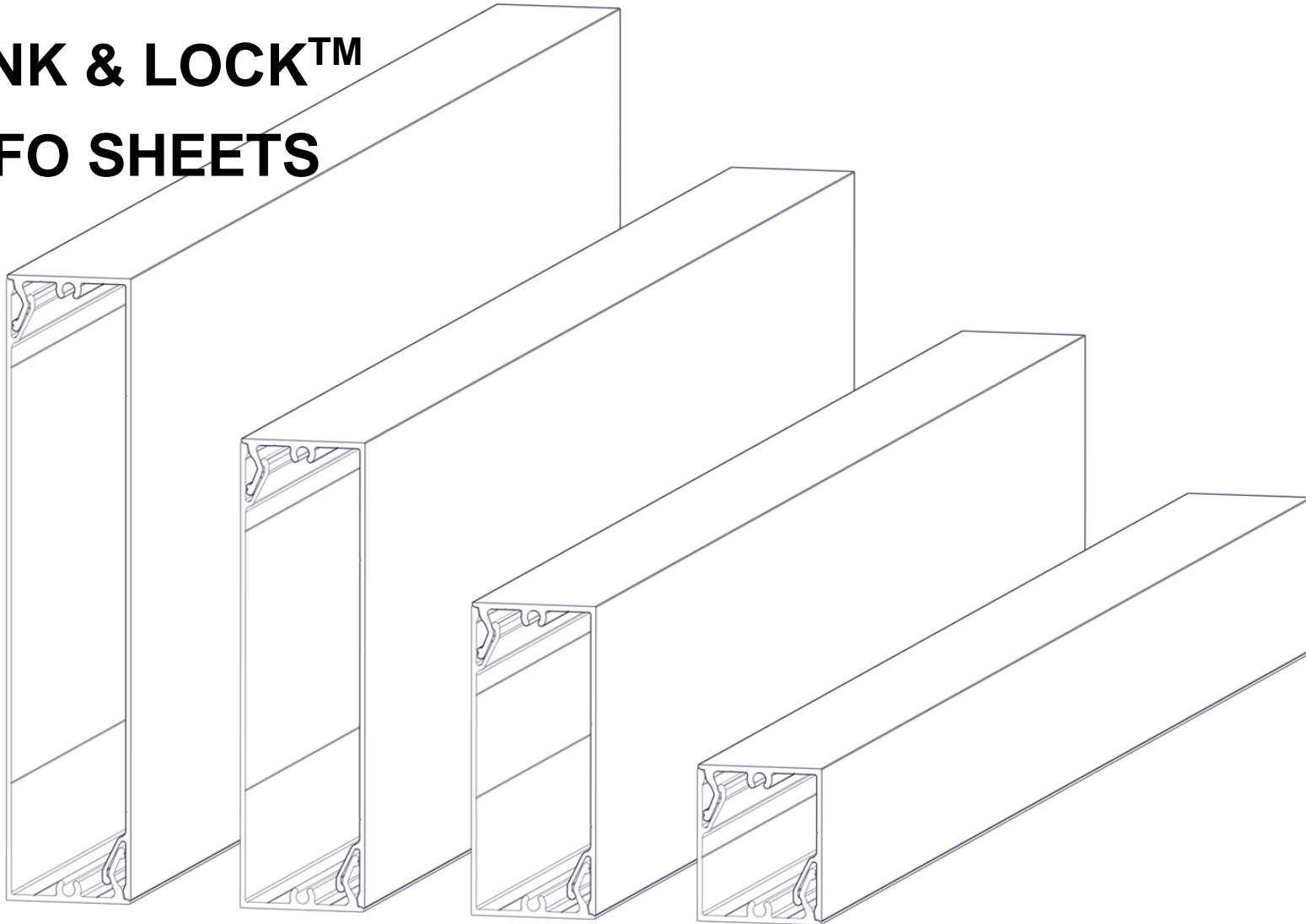




LONGBOARD[®]
INSPIRING ARCHITECTURE

LINK & LOCK[™] **INFO SHEETS**



L&L Dimensions

Finishes:

Woodgrains, Solid, Specialty

Custom Solid Color Matching - (Additional lead times apply)



2" Link & Lock



4" Link & Lock



6" Link & Lock



8" Link & Lock

Actual Sizes & Weights

| L&L | Width | Depth | Length | Weight(lbs/LF) *per set |
|-------|--------------|-----------------|---------|-------------------------|
| 2" | 2" (50.8mm) | 1 5/8" (41.3mm) | 12'/24' | 0.93 |
| 4" | 4" (101.6mm) | 1 5/8" (41.3mm) | 12'/24' | 1.3 |
| 6" | 6" (152.4mm) | 1 5/8" (41.3mm) | 12'/24' | 1.6 |
| 8" | 8" (203mm) | 1 5/8" (41.3mm) | 12'/24' | 1.9 |
| 4"x4" | 4" (101.6mm) | 4" (101.6mm) | 12'/24' | 1.8 |
| 4"x6" | 4" (101.6mm) | 6" (152.4mm) | 12'/24' | 2.1 |

Physical data:

- 6063-T5 Extruded Aluminum
- 100% recyclable
- Warranty on Finish: 15 year (standard)/20 year* (ultra) (*10week lead time); Aluminum: 50 year

Link & Lock™ Battens

| Size | 12' | 24' | End Caps (20/box) | End Mounts (20/box) |
|------|-----------|-----------|----------------------|------------------------|
| 2" | 2X2LL.145 | 2X2LL.289 | 2LLEC.2 | 2LLEM.2 |
| 4" | 2X4LL.145 | 2X4LL.289 | 2LLEC.4 | 2LLEM.4 |
| 6" | 2X6LL.145 | 2X6LL.289 | 2LLEC.6 | 2LLEM.6 |
| 8" | 2X8LL.145 | 2X8LL.289 | 2LLEC.8 | 2LLEM.8 |

| Mounting Accessories | Qty | SKU |
|---|---------|-------------|
| Link & Lock Mounting Clip | 48, bag | LLMC.N48 |
| Dewalt® 1/2" Pilot Point Drill Bit | 1 | DRILLBT.05 |
| 24' Link & Lock Internal Stiffener | 1 | LLSTIFF.289 |
| 3M® Double Sided Adhesive Tape - 108' | 1, roll | LLTAPE.1296 |

Link & Lock™ Box Battens

| | | | | |
|--------|-----------|-----------|---------|---|
| 4 x 4" | 4X4LL.145 | 4X4LL.289 | 4LLEC.4 | - |
| 4 x 6" | 4X6LL.145 | 4X6LL.289 | 4LLEC.6 | - |

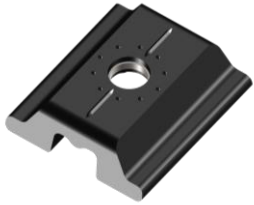


4"x4" Link & Lock



4"x6" Link & Lock

L&L Installation Components [See L&L Install Guide for details](#)



Mounting Clip:

- Nylon with embedded SS washer
- Used on Batten and Fin orientation to secure the back "L" to the substrate
- Included in order with L&L for 6' O.C. attachment
- Additional Clips purchased separately (48 pcs/box)



End Mount:

- Extruded 6063-T5 Aluminum Alloy, powder coated black
- Used for End-to-End attachment to provide a solid mount for the L&L set to wrap around and snap together
- Available for 2", 4", 6" & 8" L&L
- Purchased separately (20 pcs/box)



#12 Fastener (By others):

- Zinc-plated or Stainless Steel
- Used for attaching the back "L" to the substrate
- Use the correct fastener for the required project substrate
- Supplied by others



Internal Stiffener:

- Extruded 6063-T5 Aluminum Alloy (comes powder coated black)
- Used for reinforcing the 4", 6" & 8" L&L to allow for up to 12' spans between attachment points
- See Testing and Loading page for span allowance



1/2" Pilot Point Drill Bit:

- 1/2" Pilot Point Drill Bit
- Used for Drilling out the holes for mounting the L&L to the substrate
- See Install Guide for drilling details



Paint Pen:

- Color choices available
- Used for touch ups at the ends before installing End Caps
- Purchased separately



Double-sided Adhesive Tape:

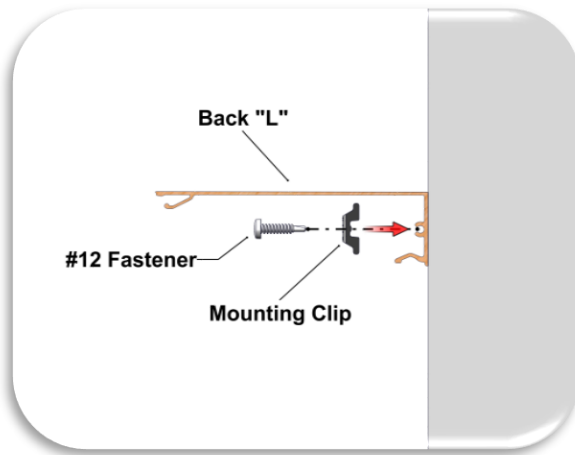
- 3M VHB Tape
- Used for attaching the Internal Stiffener to the back "L" of the L&L set
- Tape is placed in the center of the Stiffener

L&L Install Images

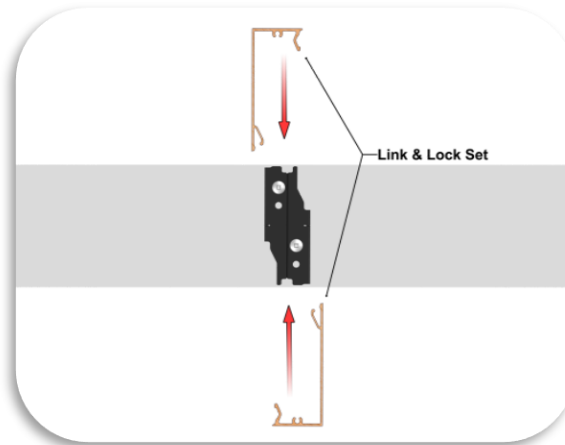
See L&L Install Guide for details

BIM & CAD: RVT & DWG files available, see website for details

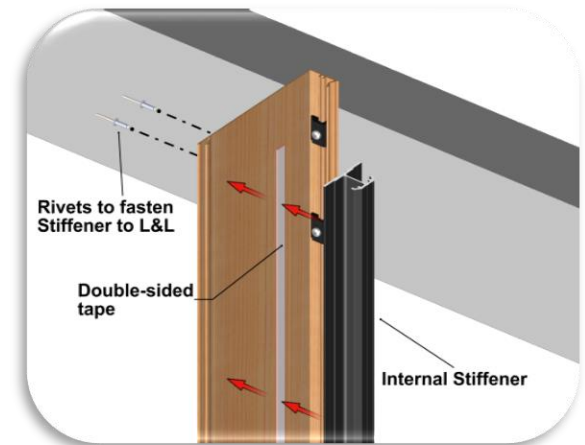
Mounting Clip (Fin orientation)



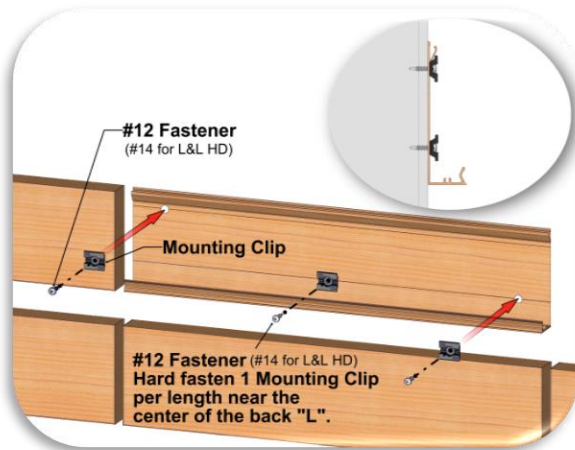
End Mount



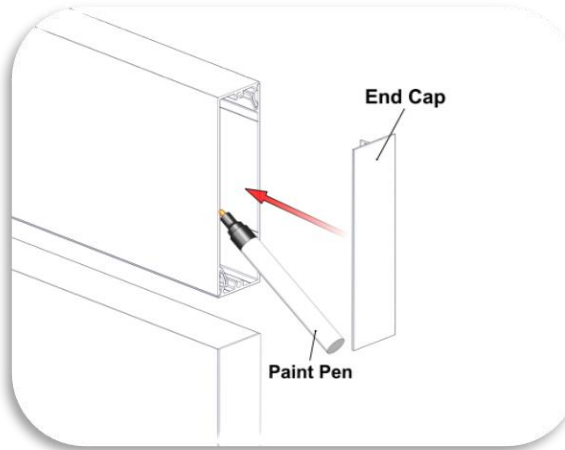
Internal Stiffener (with Double-sided Tape)



Mounting Clip (Batten orientation)



Paint Pen (for cut edges)



Drilling (Fin orientation)



L&L Testing Data and Allowable Spans

LONGBOARD®
INSPIRING ARCHITECTURE

| 2" LINK & LOCK | | PSF (FACTORED/ULTIMATE) | | | | | | | | | |
|---------------------|-----|-------------------------|----|----|----|----|----|----|-----|-----|-----|
| | | 30 | 40 | 50 | 60 | 70 | 80 | 90 | 100 | 110 | 120 |
| ALLOWABLE SPAN (ft) | 4' | [Green] | | | | | | | | | |
| | 6' | [Green] | | | | | | | | | |
| | 8' | [Green] | | | | | | | | | |
| | 10' | [Green] | | | | | | | | | |

All testing has been performed using L/180 deflection limits

LONGBOARD®
INSPIRING ARCHITECTURE

| 4" LINK & LOCK | | PSF (FACTORED/ULTIMATE) | | | | | | | | | | |
|---------------------|----|-------------------------|----|----|----|----|----|----|-----|-----|-----|--|
| | | 30 | 40 | 50 | 60 | 70 | 80 | 90 | 100 | 110 | 120 | |
| ALLOWABLE SPAN (ft) | 2' | [Green] | | | | | | | | | | |
| | 4' | [Green] | | | | | | | | | | |
| | 6' | [Green] | | | | | | | | | | |
| | 8' | [Green] | | | | | | | | | | |

All testing has been performed using L/180 deflection limits

LONGBOARD®
INSPIRING ARCHITECTURE

| 6" LINK & LOCK | | PSF (FACTORED/ULTIMATE) | | | | | | | | | |
|---------------------|----|-------------------------|----|----|----|----|----|----|-----|-----|-----|
| | | 30 | 40 | 50 | 60 | 70 | 80 | 90 | 100 | 110 | 120 |
| ALLOWABLE SPAN (ft) | 2' | [Green] | | | | | | | | | |
| | 4' | [Green] | | | | | | | | | |
| | 6' | [Green] | | | | | | | | | |

All testing has been performed using L/180 deflection limits

LONGBOARD®
INSPIRING ARCHITECTURE

| 8" LINK & LOCK | | PSF (FACTORED/ULTIMATE) | | | | | | | | | |
|---------------------|----|-------------------------|----|----|----|----|----|----|-----|-----|-----|
| | | 30 | 40 | 50 | 60 | 70 | 80 | 90 | 100 | 110 | 120 |
| ALLOWABLE SPAN (ft) | 2' | [Green] | | | | | | | | | |
| | 4' | [Green] | | | | | | | | | |
| | 6' | [Green] | | | | | | | | | |

All testing has been performed using L/180 deflection limits

LONGBOARD®
INSPIRING ARCHITECTURE

| 4x4 LINK & LOCK | | PSF (FACTORED/ULTIMATE) | | | | | | | | | | |
|---------------------|-----|-------------------------|----|----|----|----|----|----|-----|-----|-----|--|
| | | 30 | 40 | 50 | 60 | 70 | 80 | 90 | 100 | 110 | 120 | |
| ALLOWABLE SPAN (ft) | 8' | [Green] | | | | | | | | | | |
| | 10' | [Green] | | | | | | | | | | |
| | 12' | [Green] | | | | | | | | | | |

All testing has been performed using L/180 deflection limits

LONGBOARD®
INSPIRING ARCHITECTURE

| 4x6 LINK & LOCK | | PSF (FACTORED/ULTIMATE) | | | | | | | | | |
|---------------------|-----|-------------------------|----|----|----|----|----|----|-----|-----|-----|
| | | 30 | 40 | 50 | 60 | 70 | 80 | 90 | 100 | 110 | 120 |
| ALLOWABLE SPAN (ft) | 8' | [Green] | | | | | | | | | |
| | 10' | [Green] | | | | | | | | | |
| | 12' | [Green] | | | | | | | | | |


All testing has been performed using L/180 deflection limits

Testing:
ICC-ESR 4183 Evaluation Report - Division: 05 00 00 – METALS
 • Section: 05 50 00 - Metal Fabrications

LARR - Los Angeles Department of Building Safety (LADBS) accepts ICC-ES reports as proof of compliance

Florida Product Code: FL41842

International Building Code (IBC), International Residential Code (IRC)
 California Building Code (CBC), California Residential Code (CRC)
 City of Los Angeles Building Code (LABC)
 City of Los Angeles Residential Code (LARC)
 Florida Building Code – Building, Florida Building Code - Residential

 Fire Rating: Class A Non-Combustible by ASTM E136 & ASTM E84

 Light Reflectance: 5% (Black) up to 73.2% (Ultra White)

L&L Allowable Spans with Stiffener

LONGBOARD
INSPIRING ARCHITECTURE

| 4" LINK & LOCK W. STIFFENER | | PSF (FACTORED/ULTIMATE) | | | | | | | | | |
|-----------------------------|-------|-------------------------|----|----|----|----|----|----|-----|-----|-----|
| | | 30 | 40 | 50 | 60 | 70 | 80 | 90 | 100 | 110 | 120 |
| ALLOWABLE SPAN (ft) | **4' | [Green] | | | | | | | | | |
| | **6' | [Green] | | | | | | | | | |
| | **8' | [Green] | | | | | | | | | |
| | **10' | [Green] | | | | | | | | | |
| | **12' | [Green] | | | | | | | | | |

All testing has been performed using L/180 deflection limits
**Using Longboard Link & Lock Internal Stiffener

LONGBOARD
INSPIRING ARCHITECTURE

| 6" LINK & LOCK W. STIFFENER | | PSF (FACTORED/ULTIMATE) | | | | | | | | | |
|-----------------------------|-------|-------------------------|----|----|----|----|----|----|-----|-----|-----|
| | | 30 | 40 | 50 | 60 | 70 | 80 | 90 | 100 | 110 | 120 |
| ALLOWABLE SPAN (ft) | **4' | [Green] | | | | | | | | | |
| | **6' | [Green] | | | | | | | | | |
| | **8' | [Green] | | | | | | | | | |
| | **10' | [Green] | | | | | | | | | |

All testing has been performed using L/180 deflection limits
**Using Longboard Link & Lock Internal Stiffener

LONGBOARD
INSPIRING ARCHITECTURE

| 8" LINK & LOCK W. STIFFENER | | PSF (FACTORED/ULTIMATE) | | | | | | | | | |
|-----------------------------|------|-------------------------|----|----|----|----|----|----|-----|-----|-----|
| | | 30 | 40 | 50 | 60 | 70 | 80 | 90 | 100 | 110 | 120 |
| ALLOWABLE SPAN (ft) | **2' | [Green] | | | | | | | | | |
| | **4' | [Green] | | | | | | | | | |
| | **6' | [Green] | | | | | | | | | |
| | **8' | [Green] | | | | | | | | | |

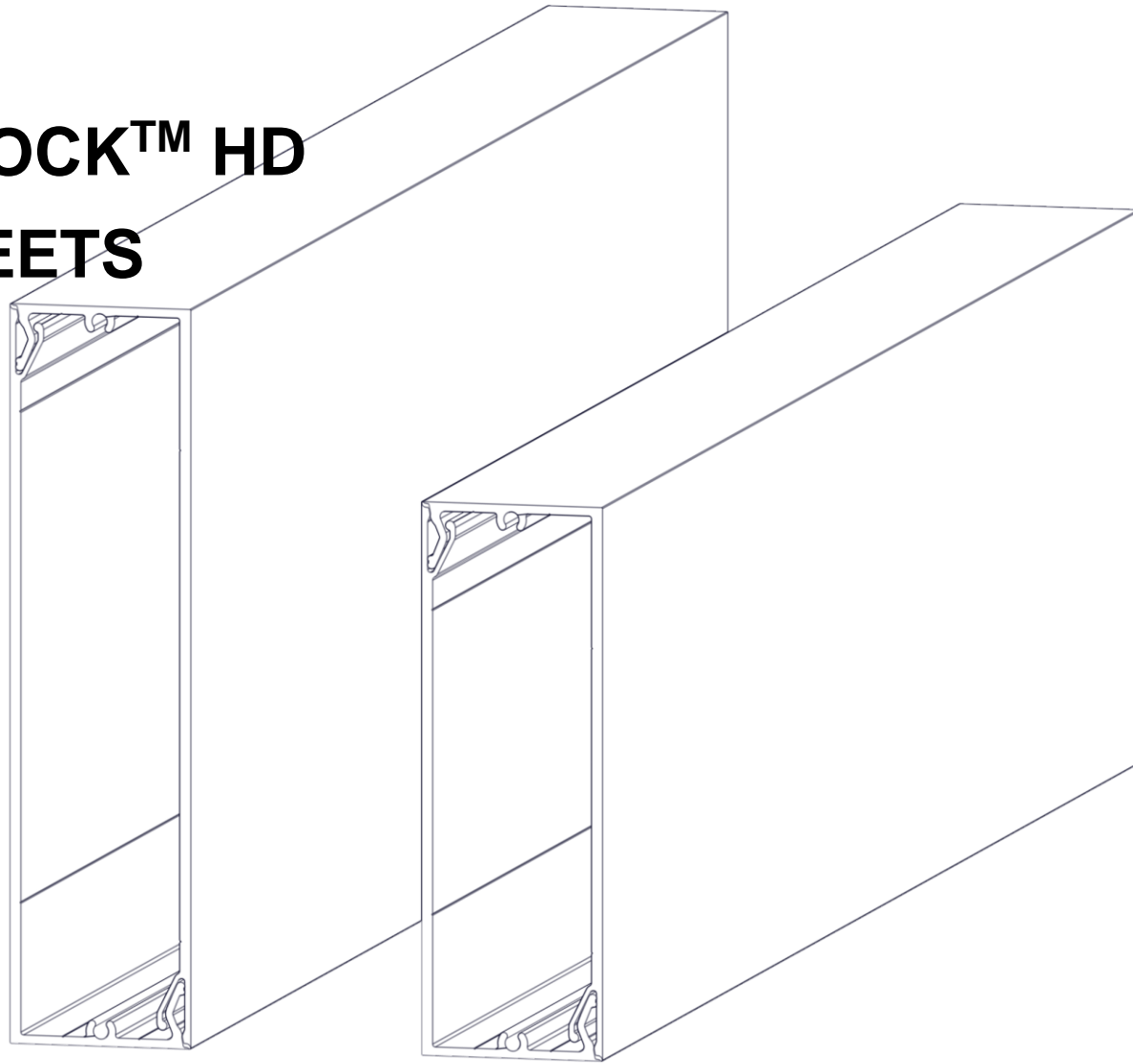
All testing has been performed using L/180 deflection limits
**Using Longboard Link & Lock Internal Stiffener



LONGBOARD®
INSPIRING ARCHITECTURE

LINK & LOCK™ HD

INFO SHEETS



L&L HD Components

Finishes:
Woodgrains, Solid, Specialty
Custom Solid Color Matching - (Additional lead times apply)



4" Link & Lock HD



6" Link & Lock HD



8" Link & Lock HD



**Link & Lock HD
End Mount**

Actual Sizes & Weights

| L&L | Width | Depth | Length | Weight(lbs/LF) *per set |
|-----|--------------|-------------|---------|-------------------------|
| 4" | 4" (101.6mm) | 2" (50.8mm) | 12'/24' | 1.7 |
| 6" | 6" (152.4mm) | 2" (50.8mm) | 12'/24' | 2.4 |
| 8" | 8" (203mm) | 2" (50.8mm) | 12'/24' | 3 |

| Size | 12' | 24' | End Caps (20/box) | End Mounts (20/box) |
|------------------------------------|-------------|-------------|----------------------|------------------------|
| 4" | 2X4LLHD.145 | 2X4LLHD.289 | 2LLHDEC.4 | 2LLHDEM.4 |
| 6" | 2X6LLHD.145 | 2X6LLHD.289 | 2LLHDEC.6 | 2LLHDEM.6 |
| 8" | 2X8LLHD.145 | 2X8LLHD.289 | 2LLHDEC.8 | 2LLHDEM.8 |
| Mounting Accessories | | | Qty | SKU |
| Link & Lock Mounting Clip | | | 48, bag | LLMC.N48 |
| Dewalt® 1/2" Pilot Point Drill Bit | | | 1 | DRILLBT.05 |

Physical data:

- 6063-T5 Extruded Aluminum
- 100% recyclable
- Warranty on Finish: 15 year (standard)/20 year* (ultra) (*10week lead time); Aluminum: 50 year

BIM & CAD:

- RVT & DWG files to be available



Mounting Clip:

- Nylon with embedded SS washer
- Used on Batten and Fin orientation to secure the back "L" to the substrate
- Included in order with L&L for 6' O.C. attachment
- Additional Clips purchased separately (48 pcs/bag)



#14 Fastener

-Eng. & Load Dependent (By others):

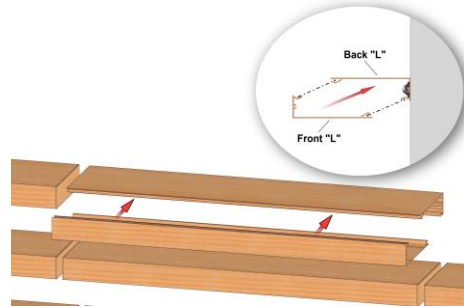
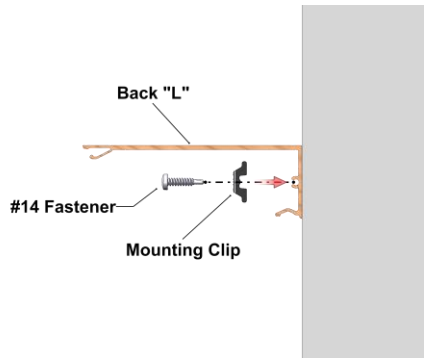
- Zinc-plated or Stainless Steel
- Used for attaching the back "L" to the substrate
- Use the correct fastener for the required project substrate
- Supplied by others



1/2" Pilot Point Drill Bit:

- 1/2" Pilot Point Drill Bit
- Used for Drilling out the holes for mounting the L&L to the substrate
- See Install Guide for drilling details

L&L HD Installation, Testing Data & Allowable Spans See L&L Install Guide for details



**Fastening
Fin Orientation**



**Fastening
Batten Orientation**

Testing: (In Development)

ICC-ES Evaluation Report -
Division: 05 00 00 – METALS

- Section: 05 50 00 - Metal Fabrications

LARR - Los Angeles Department of Building Safety (LADBS) accepts ICC-ES reports as proof of compliance

International Building Code (IBC)
International Residential Code (IRC)
California Building Code (CBC)
California Residential Code (CRC)
City of Los Angeles Building Code (LABC)
City of Los Angeles Residential Code (LARC)
Florida Building Code – Building
Florida Building Code - Residential

☀️ Light Reflectance: 5% (Black) up to 73.2% (Ultra White)

🔥 Fire Rating: Class A Non-Combustible by ASTM E136 & ASTM E84

| LONGBOARD® INSPIRING ARCHITECTURE | | PSF (FACTORED/ULTIMATE) | | | | | | | | | |
|--------------------------------------|-----|-------------------------|----|----|----|----|----|----|-----|-----|-----|
| 4" LINK & LOCK HD | | 30 | 40 | 50 | 60 | 70 | 80 | 90 | 100 | 110 | 120 |
| ALLOWABLE SPAN (ft) | 6' | [Green] | | | | | | | | | |
| | 8' | [Green] | | | | | | | | | |
| | 10' | [Green] | | | | | | | | | |
| | 12' | [Green] | | | | | | | | | |

All testing has been performed using L/180 deflection limits

| LONGBOARD® INSPIRING ARCHITECTURE | | PSF (FACTORED/ULTIMATE) | | | | | | | | | |
|--------------------------------------|-----|-------------------------|----|----|----|----|----|----|-----|-----|-----|
| 6" LINK & LOCK HD | | 30 | 40 | 50 | 60 | 70 | 80 | 90 | 100 | 110 | 120 |
| ALLOWABLE SPAN (ft) | 8' | [Green] | | | | | | | | | |
| | 10' | [Green] | | | | | | | | | |
| | 12' | [Green] | | | | | | | | | |

All testing has been performed using L/180 deflection limits

| LONGBOARD® INSPIRING ARCHITECTURE | | PSF (FACTORED/ULTIMATE) | | | | | | | | | |
|--------------------------------------|-----|-------------------------|----|----|----|----|----|----|-----|-----|-----|
| 8" LINK & LOCK HD | | 30 | 40 | 50 | 60 | 70 | 80 | 90 | 100 | 110 | 120 |
| ALLOWABLE SPAN (ft) | 4' | [Green] | | | | | | | | | |
| | 6' | [Green] | | | | | | | | | |
| | 8' | [Green] | | | | | | | | | |
| | 10' | [Green] | | | | | | | | | |

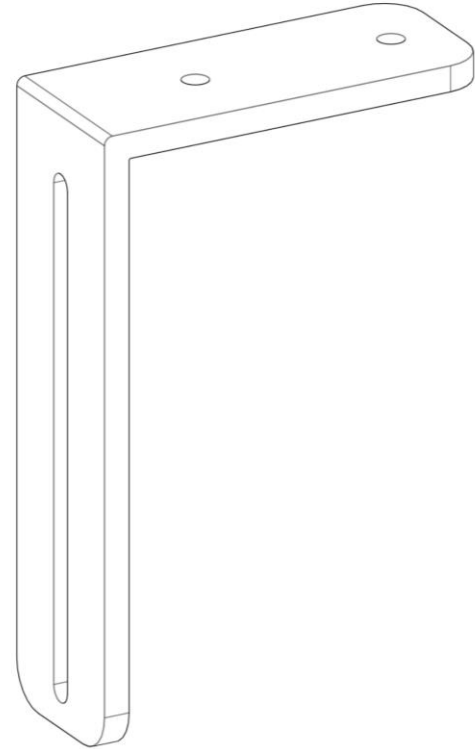
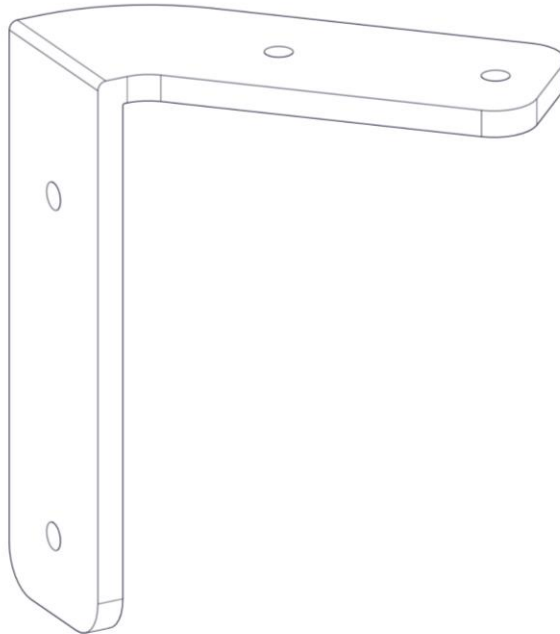
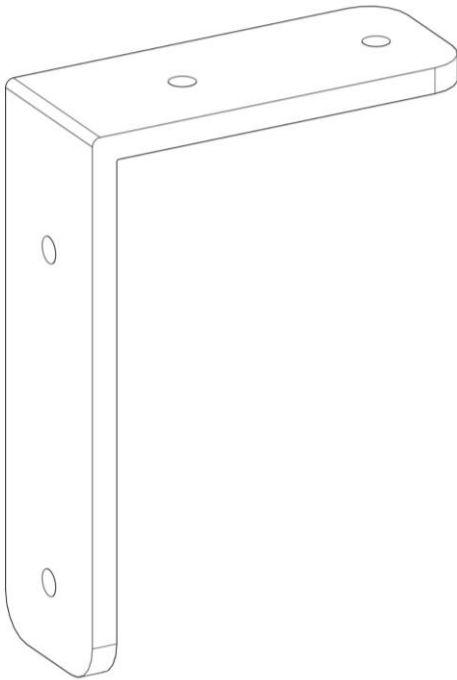
All testing has been performed using L/180 deflection limits



LONGBOARD®
INSPIRING ARCHITECTURE

LINK & LOCK™ BRACKETS

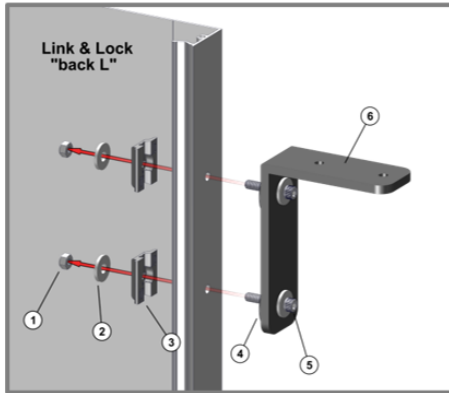
INFO SHEETS



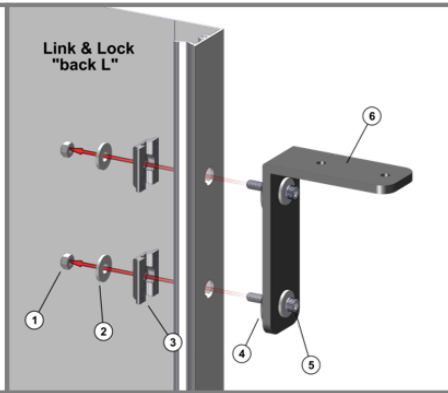
L&L Bracket Components

Single Bracket for horizontal substrate

Fixed Bracket (Hard fastened with 1/4" holes)

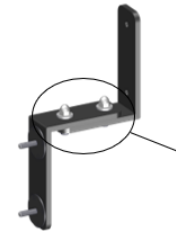
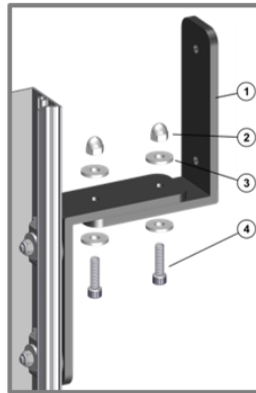


Fixed Bracket (Expansion 1/2" holes)



| No. | Description | Material | Qty |
|-----|---|------------------------------|-----|
| 1 | 1/4" -20 Locknut | Stainless Steel Nylon-Insert | 2 |
| 2 | Washer, 1/4" screw size, 0.75" OD | Stainless Steel | 4 |
| 3 | Link & Lock Mounting Clip | Nylon w. Stainless Washer | 2 |
| 4 | Self-Retaining Washer for 1/4" size | Nylon, Black | 2 |
| 5 | 1/4" -20 Socket Head Screw, 1-1/4" length | Stainless Steel | 2 |
| 6 | Link & Lock Bracket -90 Center Fixed | 6005A Aluminum | 1 |

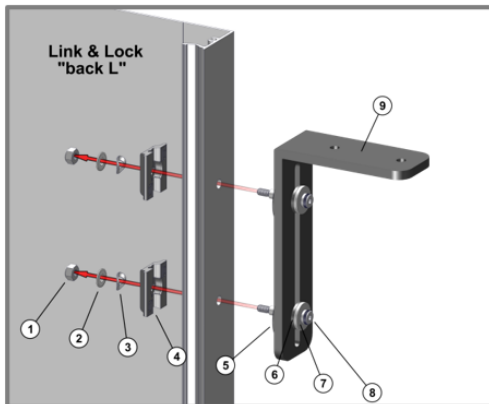
Dual Bracket for vertical substrate



Dual Bracket components are pre-assembled by manufacturer. Do not adjust or remove unless authorized by the manufacturer.

| No. | Description | Material | Qty |
|-----|---|-----------------|-----|
| 1 | Link & Lock Dual Bracket -90 Center Fixed | 6005A Aluminum | 1 |
| 2 | Distorted-Thread Cap Locknut | Stainless Steel | 2 |
| 3 | Washer, 1/4" screw size, 0.75" OD | Stainless Steel | 4 |
| 4 | 7/8" Socket Head Screw | Stainless Steel | 2 |

Sliding Bracket (Use 1/4" holes)



| No. | Description | Material | Qty |
|-----|--|------------------------------|-----|
| 1 | 10-24 Locknut | Stainless Steel Nylon-Insert | 2 |
| 2 | Washer, #10 screw size, 0.5" OD | Stainless Steel | 2 |
| 3 | Single-Wave Washer, 0.5" OD | Stainless Steel | 2 |
| 4 | Link & Lock Mounting Clip | Nylon w. Stainless Washer | 2 |
| 5 | Self-Retaining Washer for 1/4" screw size | Nylon, Black | 2 |
| 6 | Plastic Washer, 1/4" screw size, 0.734 OD | Nylon, Black | 2 |
| 7 | Washer, 1/4" screw size, 0.75" OD | Stainless Steel | 2 |
| 8 | 1/4" Shoulder screw, 1" Shoulder length 10-24 Thread | Stainless Steel | 2 |
| 9 | Link & Lock Bracket -90 Center Sliding | 6005A Aluminum | 1 |

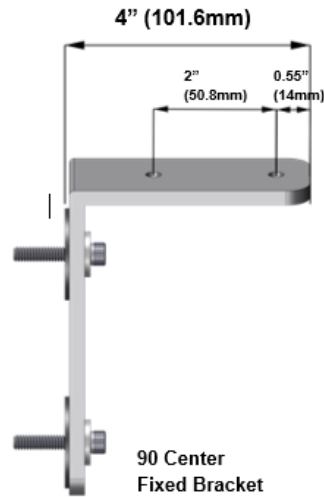
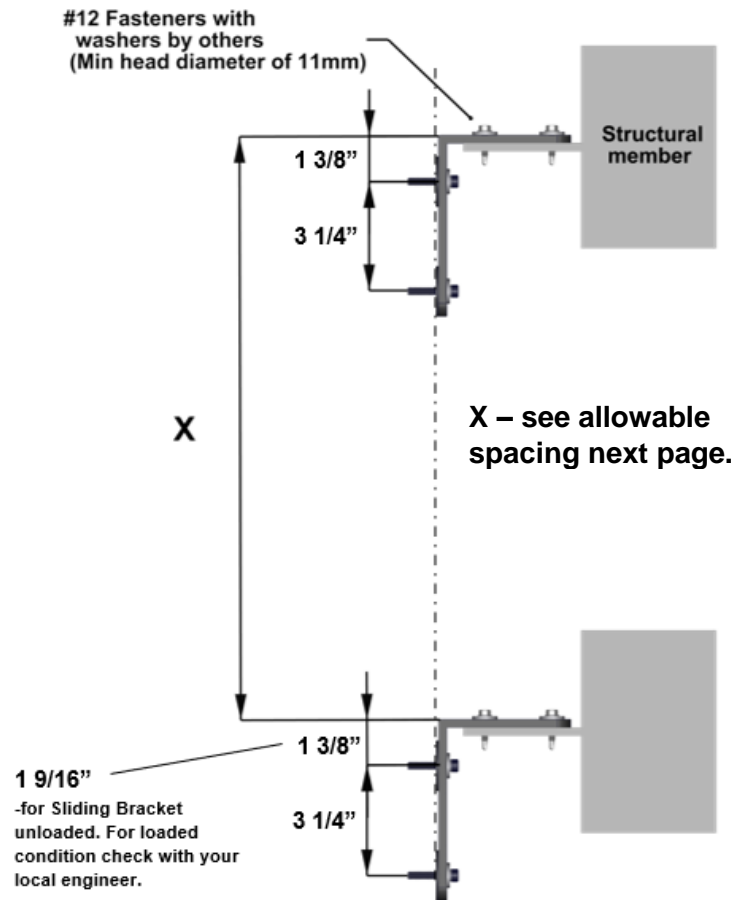
Link & Lock™ Mounting Brackets

| Product | Single | Dual |
|--------------------|------------|------------|
| 45° LEFT FIXED | LLMBK.45LF | LLMDK.45LF |
| 45° RIGHT FIXED | LLMBK.45RF | LLMDK.45RF |
| 90° CENTER FIXED | LLMBK.90F | LLMDK.90F |
| 45° LEFT SLIDING | LLMBK.45LS | LLMDK.45LS |
| 45° RIGHT SLIDING | LLMBK.45RS | LLMDK.45RS |
| 90° CENTER SLIDING | LLMBK.90S | LLMDK.90S |



Single Dual
Link & Lock™ Mounting Brackets

L&L Bracket Dimensions



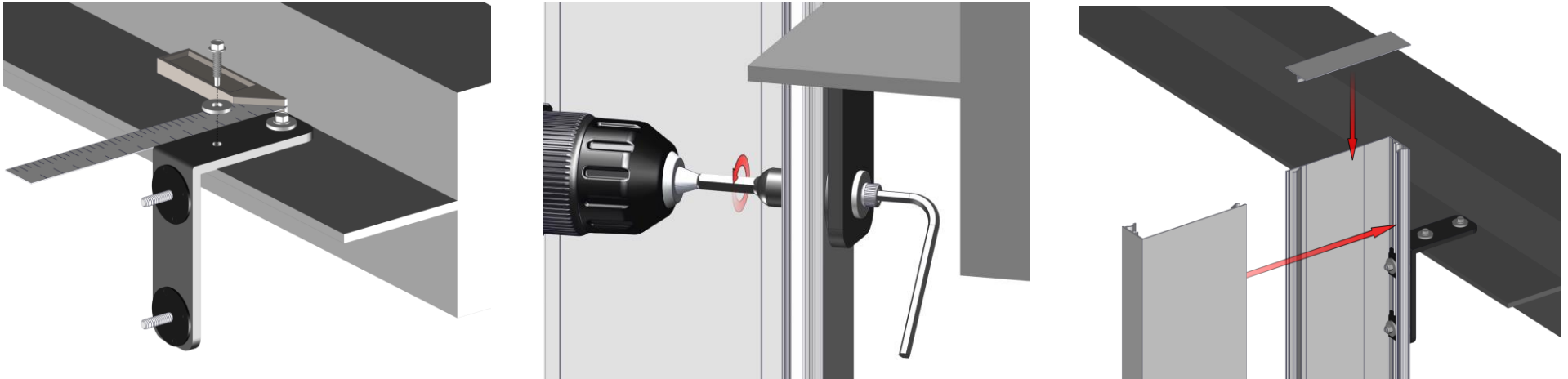
Tools for Bracket Install to L&L

Nut Driver
7/16" Fixed Brackets
3/8" Sliding Brackets

Allen Key
3/16" Fixed Brackets
1/8" Sliding Brackets

L&L Bracket Installation, Load Data & Allowable Spacing

See [L&L Install Guide](#) for details



| LINK & LOCK™ BATTEN | LINK & LOCK™ BRACKET MAX. SPACING (FT) | | | | | | | | | |
|-----------------------------------|--|-----|-----|----|----|----|----|-----|-----|-----|
| | WIND LOAD PSF (FACTORED/ULTIMATE) | | | | | | | | | |
| | 30 | 40 | 50 | 60 | 70 | 80 | 90 | 100 | 110 | 120 |
| 1-5/8" x 2" | 10' | 8' | 6' | | | | 4' | | | |
| 1-5/8" x 4" | 8' | 6' | 4' | | | 2' | | | | |
| 1-5/8" x 4" w. Internal Stiffener | 12' | 10' | 8' | 6' | | | 4' | | | |
| 1-5/8" x 6" | 6' | | 4' | | | | 3' | | 2' | |
| 1-5/8" x 6" w. Internal Stiffener | 10' | 8' | 6' | 4' | | | 3' | | | |
| 1-5/8" x 8" | 6' | 4' | 2' | | | | | | | |
| 1-5/8" x 8" w. Internal Stiffener | 8' | 6' | 4' | | 3' | | | 2' | | |
| 2" x 4" HD | 12' | | 10' | 8' | 6' | | | 4' | | |
| 2" x 6" HD | 10' | 8' | 6' | 4' | | | 3' | | 2' | |
| 2" x 8" HD | 8' | 6' | 4' | | 3' | | | 2' | | |

Recommended torque value for Link & Lock™ to Bracket attachment:

note 1 Factored Wind Load: max. **168 LBS/EA** Bracket

note 2 Factored Dead Load: max. **29 LBS/EA** Fixed Bracket

note 3 Fixed Bracket 1/4" -20 Socket Head Screw, **60 in/lbs** + prevailing torque of self-locking nut

note 4 Sliding Bracket 1/4" Shoulder Socket Head Screw (#10-24 thread), **20 in/lbs** + prevailing torque of self-locking nut

March 22, 2024