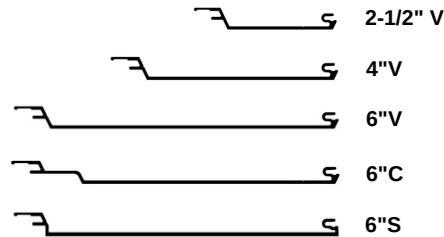
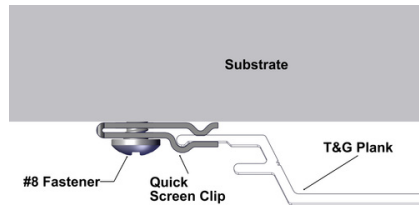
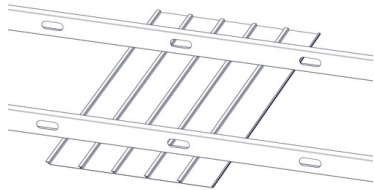


# TONGUE & GROOVE

## SOFFIT SYSTEM

### TYPICAL ISOMETRIC



### PROFILES

V-Groove: 2-1/2", 4", 6"  
 V-Groove Perforated: 2-1/2", 6"  
 Smooth: 6"  
 Smooth Perforated: 6"  
 Channel: 6"  
 Standard Lengths: 24', 2-1/2"(12')  
 96 SQ FT/box

### COMPONENTS - Standard Lengths: 12'

**Traditional:** Starter Strip, Back-to-Back Starter Strip, 2"  
 Corner Set, 1-3/8" Two Piece J-Track, 1-3/8"  
 Termination Set, Compression Joint (24"), 1-1/2" Flat  
 Reveal Set, 1-1/2" U-Reveal Set, 1-1/2" T&G U-  
 Reveal

**Craftsman:** 7/8" J-Track, 3/4" Inside Corner, 1" Outside  
 Corner, 3/4" U-Reveal Set, 3/4" T&G U-Reveal

**Precision:** 5/8" Starter J-Track, 3/16" Outside Corner,  
 5/8" J-Track, 5/8" Two Piece J-Track, 5/8" Termination  
 Set, 1/2" Flat Reveal, 1/2" T&G Flat Reveal

T&G\_SO\_IS\_RE\_V6

### FINISHES

Woodgrains, solid color, naturally aged metal, custom solid colour matching  
 (additional lead times apply)

### ATTACHMENT

Planks: Quick-screen clips w. #8 Pan Head screws\* @ 32" o.c. (standard).  
 Quick-screen clips included: 135 pcs/4" box, 90 pcs/6" box.  
 Trims: hard fasten w. #8 Pan Head screws\* @ 16" o.c. \*Screws not included.

### BIM & CAD

RVT & DWG files available, see  
 website for details

### LEAD TIME

Most Popular Finishes  
 -ready to ship within 1 week  
 Additional Finishes  
 -ready to ship within 14 weeks

### TECHNICAL SPECIFICATIONS

#### PHYSICAL DATA

6063-T5 Extruded Aluminum  
 100% Recyclable  
 Warranty: Finish:15 year (standard)/20 year\* (ultra) (\*10 week lead time);  
 Aluminum: 50 year  
 Weight (lbs/sqft): ~1.5  
 2-1/2" Perforated Planks provide 18% open area  
 6" Perforated Planks provide 21% open area


#### TESTING

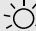
ICC-ESR 4182 Evaluation Report - Division: 07 00 00 Thermal and Moisture  
 Protection Section: 07 46 00 - Siding

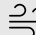
LARR - Los Angeles Department of Building Safety (LADBS) accepts ICC-ES  
 reports as proof of compliance

Florida Product Code: FL41776

WUI (The Wildland-Urban Interface) – California Department of Forestry & Fire  
 Protection Office of the State Fire Marshal Listing No. 8140-2286:0500

 **Fire Rating:** Class A Non-Combustible by ASTM E136 & ASTM E84 ;  
 A2-s1,d0 by EN 13501-1

 **Light Reflectance:** 5% (Black) up to 73.2% (Ultra White)

 **Wind load:** Up to 121 psf (5794 Pa) TAS 202, TAS 203



[info@longboardproducts.com](mailto:info@longboardproducts.com)  
[longboardproducts.com](http://longboardproducts.com)  
 800 604 0343



**LONGBOARD®**  
INSPIRING ARCHITECTURE

# Tongue and Groove Soffit

Installation Guidelines



## Table of Contents

<b>Material Specifications</b>	<b>3</b>
Finishes	3
Expansion and contraction	3
Material ordering and deliveries	3
Storage and handling	3
Cleaning	4
Warranty	4
Graffiti removal	4
<b>Components</b>	<b>5</b>
Components (Typical)	5
<b>Tools/Cutting/Fastening</b>	<b>6</b>
Tools	6
Cutting	6
Fastening	7
Fastener types	7
Fastening options onto exterior insulation	7
Framing requirements	8
Furring recommendations	8
<b>System Install</b>	<b>9</b>
Perimeter and field area limitations & venting	9
Component layout	10
J-Track	10
Flat Reveal	10
Starter Strip	10
Back-to Back Starter	10
Termination Set	10
Install Steps	11
Parallel to the building	11
Perpendicular to the building	12
Final Steps	13
Details	14
Butt-Joints	14
Radius Guide	15
<b>Appendix</b>	<b>16</b>
Tables 1&2 - Expansion & contraction	16
Tables 3&4 – Quick Screen Clip/wind load -Planks	17
Tables 5&6 – Quick Screen Clip/wind load -Starter	18
Handling and care of products	19
Contact Info	20

## Material Specifications

### Finishes

- Longboard Products are available in a wide range of powder coated finishes.
- Custom solid colors are available upon request.
- Longboard woodgrains have a repeat pattern, shipped in sets mated back-to-back in each box. Install these as they come out of the box, as an A&B pattern staggering each plank approx. 1-2' (305-610mm) from the previous plank to achieve a random pattern aesthetic. It is recommended to create an onsite mock-up to produce a suitable pattern.
- Longboard Products are not recommended for use on marine applications in direct contact with salt water.

Longboard extruded products are produced 1" (25mm) oversized, as one end is drilled for the coating process, and both ends have 1/2" (12mm) of masking tape (woodgrains only) which must be cut off for best results.

### Expansion & Contraction

Planks & components expand & contract 1/4" (6mm) over 24' (7.3m) in all directions, measured over a 30°C (54°F) temperature range. Due to this range of movement, the following expansion components should be installed perpendicular to planks every:

- 
- 24' (7.3m) max<sup>1</sup> Perpendicular to Planks: Traditional Flat Reveal, U-Reveal Set

<sup>1</sup>Note: 40' (12.2m) max if using staggered butt-joints.

Other options (Perpendicular to Planks only)

- 
- 12' (3.7m) -Craftsman U-Reveal Set
  - 6' 8" (2m) -Precision Flat Reveal

When using expansion components, each plank must terminate into a minimum of one (1) component to allow for expansion & contraction.

**See: Appendix for tables of expansion/contraction calculations per foot/meter of material.**

### Material Ordering & Delivery

- 
- Packaging: Planks are sold in box quantities:  
6" Planks: 96 SQ FT/Box (8/24's) w. 90pcs Quick-Screen Clips included  
4" V-Groove: 96 SQ FT/Box (12/24's) w. 135 Quick-Screen Clips included  
2 1/2" V-Groove: 20 SQ FT/Box (8/12's, 96 LF) w. 45 Quick-Screen Clips included  
Components are sold individually by the 12' (3.7m) length.
  - Shipping: Most Popular Finishes - ready to ship within 1 week  
Additional Finishes - ready to ship within 14 weeks  
Delivered on 24' (7.3m) long skids weighing up to 2000 lbs. A mechanical lift with forks is required on site to receive the order.
  - QC: Always inspect the delivery for damage and contact LB ASAP if there are any issues: [info@longboardproducts.com](mailto:info@longboardproducts.com) or 1-800-604-0343 and include your PO# and any pictures if possible. Mark the delivery receipt as "damaged" and accept the delivery as-is. Longboard is not responsible for the installation of blemished or damaged material.

### Storage & Handling

Be sure to store the material flat, keep it dry, safe & secure and remain in unopened cartons until ready to be installed. **See Appendix for proper handling and care instructions.**

### Cleaning Recommendations

- Initial and periodic cleaning for best looking product
- Basic methods use a combination of moderate water pressure, soft sponge/brush and a mild detergent (Safe for your hands, safe for the product)

⚠ NEVER use aggressive acid or alkaline cleaners on Longboard finishes. Do not use cleaners containing Trisodium Phosphate, Phosphoric Acid, Hydrochloric Acid, Hydrofluoric Acid, Fluorides, or any other compound that is known to react with metal.

**\*See Cleaning Guide for full requirements & cleaning schedule:**

[longboardproducts/resources/care-maintenance.com](http://longboardproducts/resources/care-maintenance.com)

### Warranty

Upon substantial completion of the project, register for warranty online here: [longboardproducts.com/warranty](http://longboardproducts.com/warranty)

⚠ Registration is required for the warranty to be in effect.

### Graffiti Removal

**Standard Woodgrain**

Use Standard soap & water only

**D2000 Solid Color**

	Prosoco Cleaner	MEK Solvent	
Permanent Marker	<input checked="" type="checkbox"/>	<input checked="" type="checkbox"/>	 MEK Solvent   Prosoco Anti-Graffiti Cleaner
Oil Based Spray Paint	<input checked="" type="checkbox"/>	<input checked="" type="checkbox"/>	
Water Based Spray Paint	<input checked="" type="checkbox"/>	<input checked="" type="checkbox"/>	
Adhesive Tape	<input checked="" type="checkbox"/>	<input checked="" type="checkbox"/>	

**SPECIAL ORDER - EXT. LEAD TIMES CONTACT LB**

**Anti-Graffiti High Gloss Woodgrain**

	MEK Solvent	
Permanent Marker	<input checked="" type="checkbox"/>	 MEK Solvent
Oil Based Spray Paint	<input checked="" type="checkbox"/>	
Water Based Spray Paint	<input checked="" type="checkbox"/>	
Adhesive Tape	<input checked="" type="checkbox"/>	

Note: Cleaning the surface with a cleanser that is not diluted as per instructions may result in damage to the coating.



## Components

### Components (Typical)

T&G Soffit system consists of many components used in conjunction with each other to create a seamless look. For all LB components go to [longboardproducts.com](http://longboardproducts.com).

#### V-Groove Planks <sup>\*</sup> 48 sq. ft. box quantities <sup>‡</sup> 96 sq. ft. box quantities

Size	12' *	24' *	12' Perf *	24' Perf *
2½"	3V.145	-	3VP.145	-
4"	4V.145	4V.289	-	-
6"	6V.145	6V.289	6VP.145	6VP.289

#### Smooth Planks

Size	12' *	24' *	12' Perf *	24' Perf *
6"	6PSP.145	6PSP.289	6PSP.145	6PSP.289

#### Channel Planks

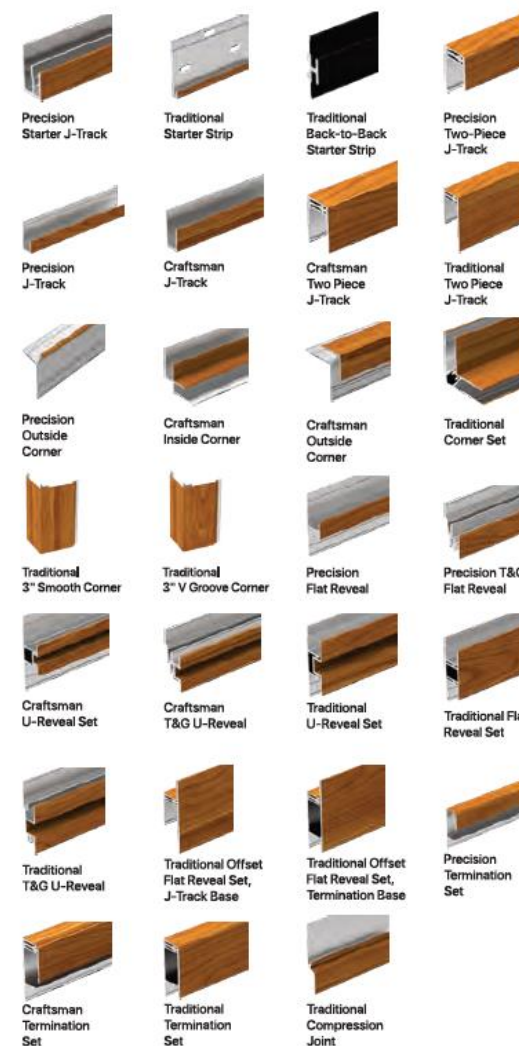
Size	12' *	24' *
6"	6CH.145	6CH.289

#### Accessories

Product	Qty	SKU
Quick Screen Clips	1750, box	CUP.N1750
Quick Screen Clips	100, bag	CUP.N100
Touch Up Pens <i>Reach out to confirm color with account manager.</i>	N/A	TUP

#### Trim Components


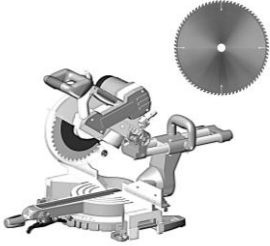

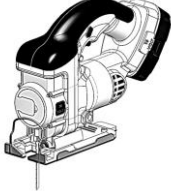

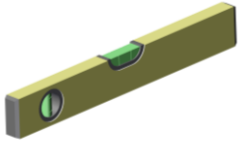


Type	Style	Product	Dimensions	SKU
Starter	Precision	Starter J-Track	(5/8") - 12'	1SJT.145
Starter	Traditional	Starter Strip	(1-7/8") - 12'	2SS.145
Starter	Traditional	Back-to-Back Starter Strip	(1-1/4")	2BTBSS.145
J-Track	Precision	Two Piece J-Track	(5/8") - 12'	1X1JT.145
J-Track	Precision	J-Track	(5/8") - 12'	1JT.145
J-Track	Craftsman	J-Track	(7/8") - 12'	JT23.145
J-Track	Craftsman	Two Piece J-Track	(7/8") - 12'	JT23S.145
J-Track	Traditional	Two Piece J-Track	(1-3/8") - 12'	1X2JT.145
Corner	Precision	Outside Corner	(3/16") - 12'	05OC.145
Corner	Craftsman	Inside Corner	(3/4") - 12'	1IC.145
Corner	Craftsman	Outside Corner	(1") - 12'	1OC.145
Corner	Traditional	Corner Set	(2") - 12'	2CORS.145
Corner	Traditional	3" Smooth	(3") - 24'	3SCP.289
Corner	Traditional	3" V-Groove	(3") - 24'	3SVP.289
Reveal	Precision	Flat Reveal	(1/2") - 12'	1FR.145
Reveal	Precision	T&G Flat Reveal	(1/2") - 24'	1TGFR.289
Reveal	Craftsman	U-Reveal Set	(3/4") - 12'	1URS.145
Reveal	Craftsman	T&G U-Reveal	(3/4) - 24'	1TGURK.289
Reveal	Traditional	U-Reveal Set	(1-1/2") - 12'	2URS.145
Reveal	Traditional	Flat Reveal Set	(1-1/2") - 12'	2FRS.145
Reveal	Traditional	T&G U-Reveal	(1 1/2") - 24'	2TGURK.289
Reveal	Traditional	Offset Flat Reveal Set, J-Track Base	(2") - 12'	2OFFJ.145
Reveal	Traditional	Offset Flat Reveal Set, Termination Base	(2") - 12'	2OFFT.145
Termination	Precision	Termination Set	(5/8") - 12'	1TS.145
Termination	Craftsman	Termination Set	(7/8") - 12'	TS23S.145
Termination	Traditional	Termination Set	(1-3/8") - 12'	2TS.145
Compression Joints	Traditional	Compression Joint	(1-3/8") - 24'	2CJ.289



## Tools/Cutting/Fastening

### Tools

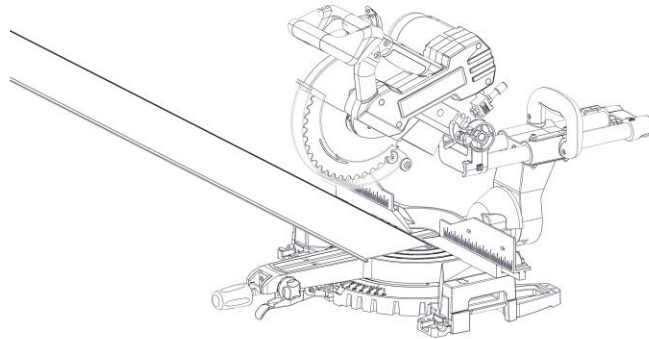
Commonly used tools for T&G Soffit install.

			
Table Saw with Carbide Metal Blade Non-ferrous 60-80T (for cutting aluminum)	Miter Saw with Carbide Metal Blade Non-ferrous 60-80T (for cutting aluminum)	Cordless Drill with clutch	Jig Saw (for protrusions)
			
Rubber Mallet (or Hammer)	Level	Hole Saw (for lighting fixtures)	#8 Pan Head Screws <small>*Length, thread and point to suit substrate</small>

### Cutting

⚠ Always be sure to wear appropriate PPE: eye & hearing protection.

Cut planks using a Miter Saw and Table Saw, always allowing for expansion & contraction. Trim the taped/drilled ends of all stock length material by at least **1/2" (12mm) each end** and discard.



### Fastening

Fasteners must be corrosion resistant and comply with all local building codes.

**⚠️** All fasteners should be suitable for exterior use and be compatible with the substrate type. **Fasteners should be anchored into a solid secure framing member, blocking, furring, or strapping.** For any applications when the framing member is not available, install furring strips or metal strapping to securely fasten planks.

**Perimeter components** should be hard fastened every **16" (406mm) O.C.** directly through the flange using #8 pan-head screws (supplied by others). These components should be fastened within **8" (203mm)** of the end for secure fastening.

**Planks & starter components** are secured using Longboard **Quick-Screen Clips** fastened to the substrate using #8 pan-head screws (supplied by others).

#### Standard wind loads

- Typically, every **32" (813mm) O.C.**

#### Higher wind loads

- Typically, every **16" (406mm) O.C.**

**⚠️** Always consult the project engineer, architect or authority having jurisdiction to understand the project specific fastening requirements.

See **Appendix for fastener specs:**

**Quick Screen Clip - Wind Load Tables 3 & 4**

### Fastener types

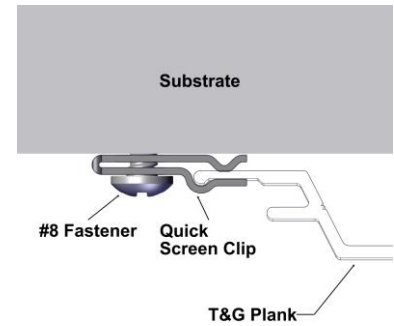
#### RECOMMENDED

##### Pan-Head



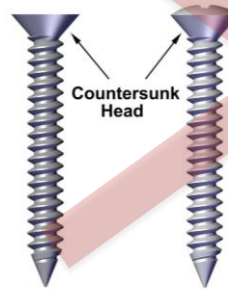
\*Length, thread and point to suit substrate

#### CORRECT

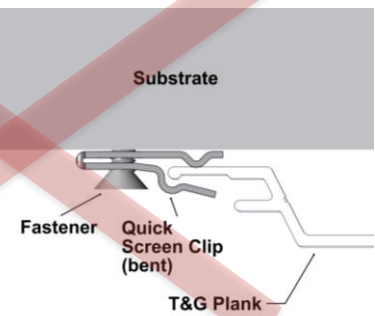


#### DO NOT USE

##### Flat-Head Oval-Head

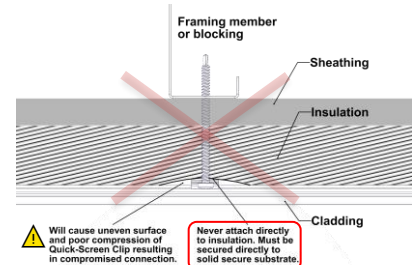
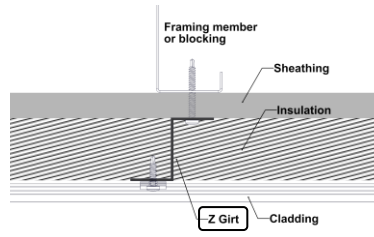
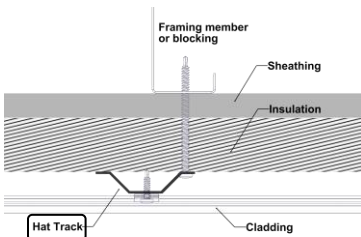
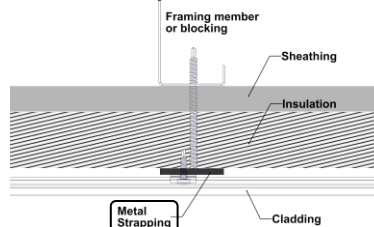
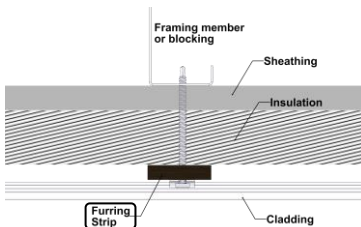


#### INCORRECT



### Fastening options onto exterior insulation

\*Never direct to insulation. Must be secured directly to solid secure substrate.





## **Framing requirements**

Always consult the local building authority and follow local building code requirements.

### Wood Framing

- Size: 2x4 minimum
- Spacing: see Appendix Table 3 & 4 for reference

### Metal Framing

- Gauge: 20 ga. minimum (see Appendix Table 3 & 4 for reference)
- Spacing: see Appendix Table 3 & 4 for reference

## **Furring recommendations**

### Wood Furring

Attached back to wood or metal framing/blocking.

- Size: 3/8" minimum
- Spacing: See Appendix Table 3 & 4 for reference

### Metal Furring/Strapping

Attached back to wood or metal framing/blocking.

- Size: 20 ga. minimum
- Spacing: See Appendix Table 3 & 4 for reference

### Concrete/CMU

Wood or metal furring is recommended over concrete and CMU.

#### Wood Furring:

- Size: 2x2 minimum
- Type: Pressure treated lumber
- Spacing: See Appendix Table 3 & 4 for reference

#### Metal Furring:

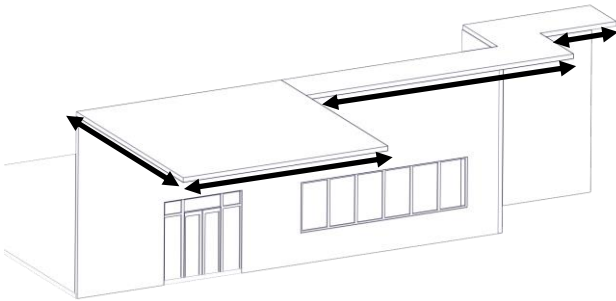
- Size: 20 ga. minimum (See Appendix Table 3 & 4 for reference)
- Type: Hat channel, Stud, or Z-Girt.
- Spacing: See Appendix Table 3 & 4 for reference

## System Install

### Perimeter and field area limitations & venting

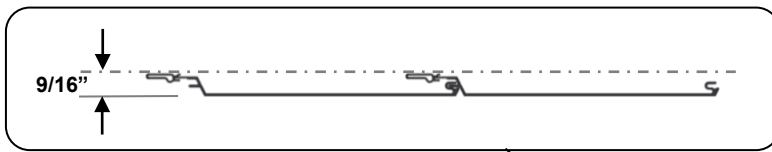
- Measure and layout your soffit area to consider plank & component alignment with fixtures, penetrations, and adjacent walls and edges, for desired appearance. Consider using butt-joints along runs to minimize waste.
- Longboard system typical dimensions:
 

Planks width	- 2 1/2" (64mm), 4" (102mm), 6" (152mm)
Perforated Planks width	- 2 1/2" (64mm), 6" (152mm)
Planks and Quick-Screen Clips depth	- 9/16" (14mm)
Trim Components depth	- 5/8" (15mm)

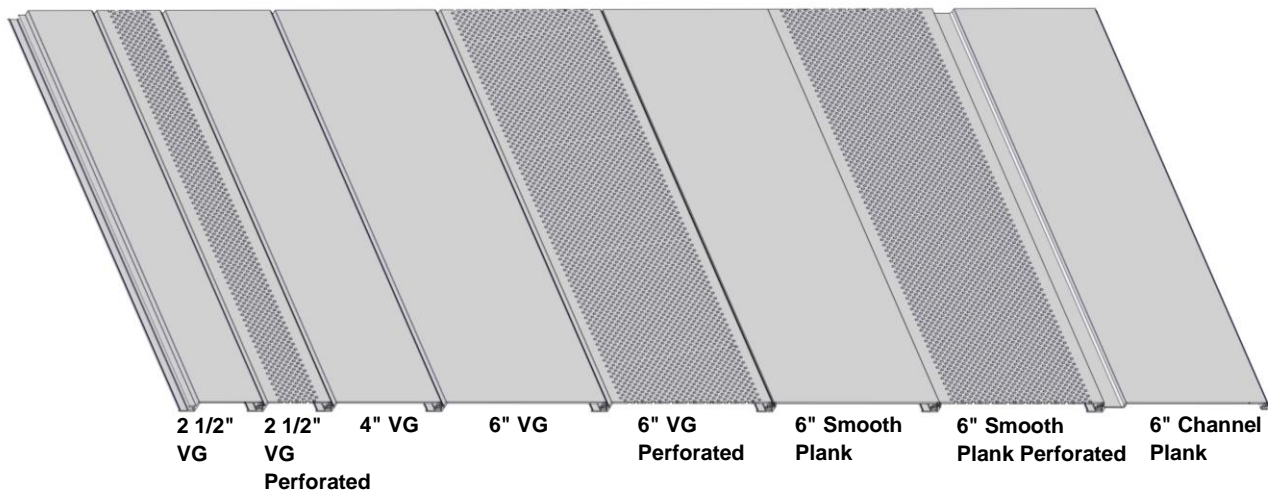
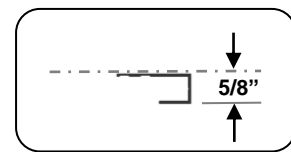


Perforated Planks	NFA (open area)	Hole size(mm)	Lengths
2 1/2" V-Groove	18%	3.18	12'
6" V-Groove	21%	3	12'/24'
6" Smooth Plank	21%	3	12;/24'

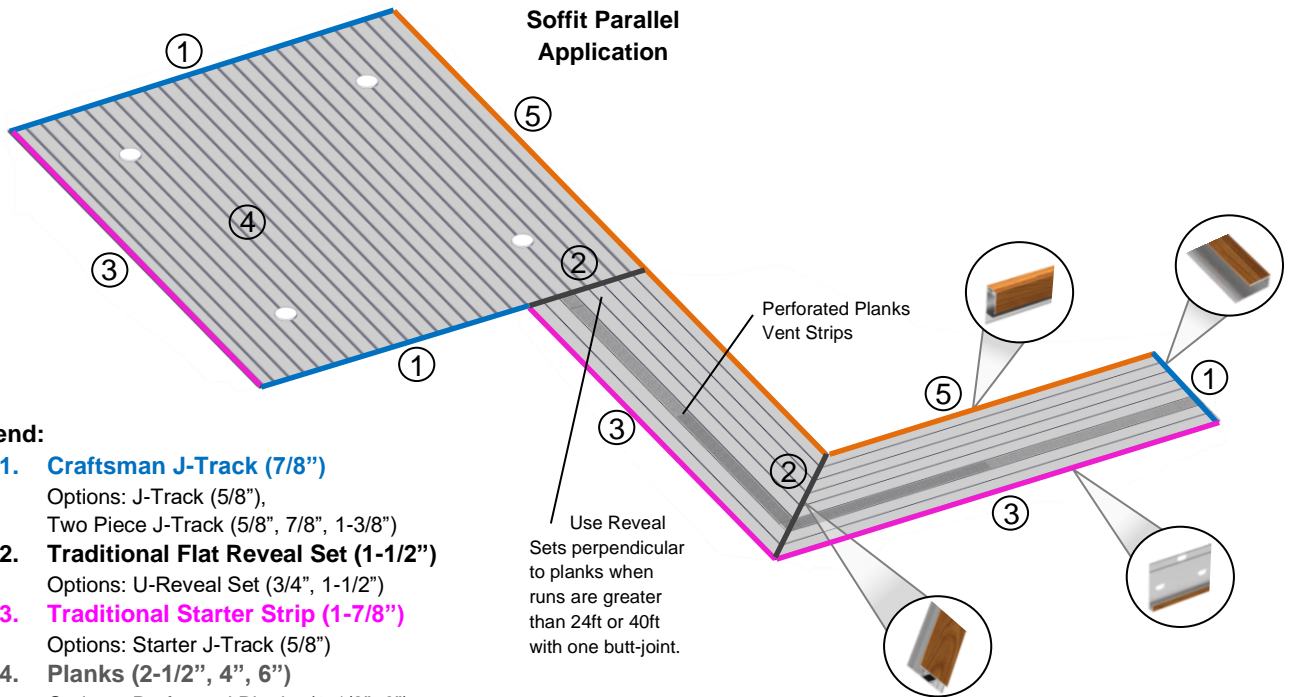
**Planks**



**Trims**

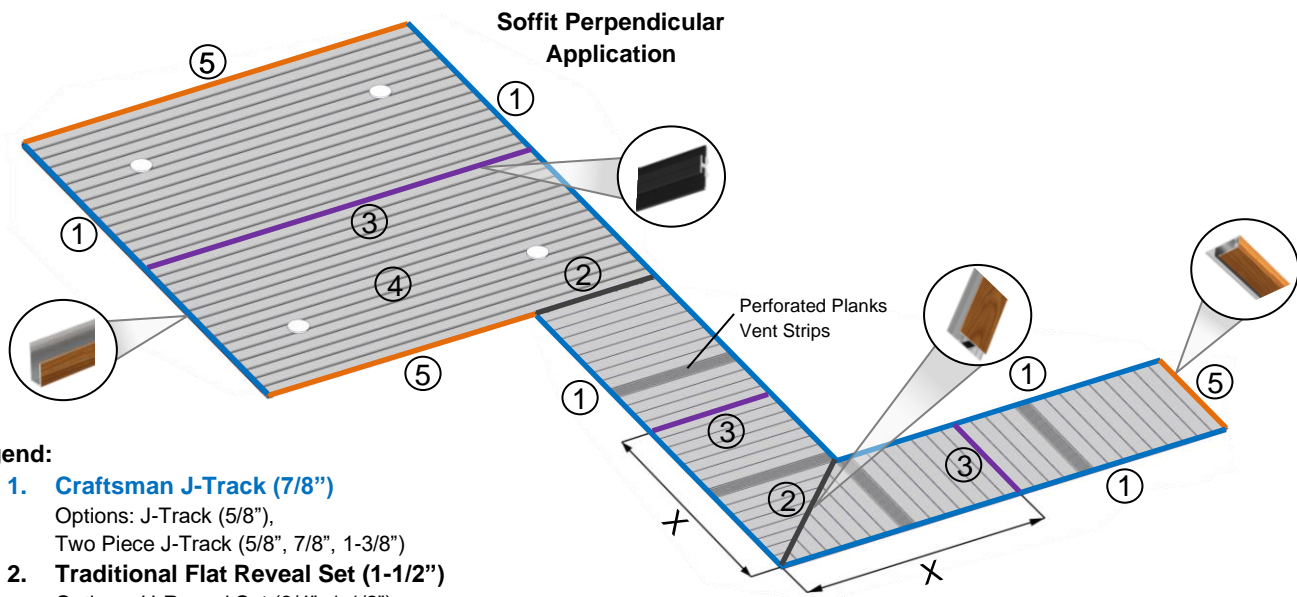


### Component layout



#### Legend:

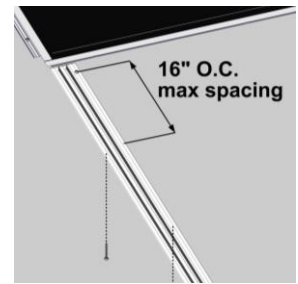
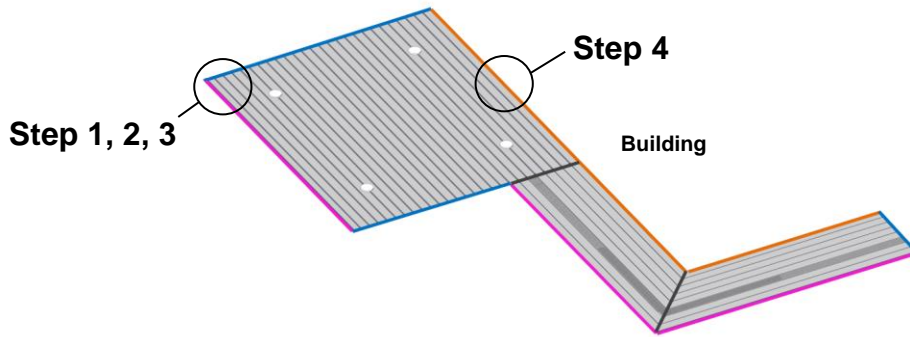
- 1. Craftsman J-Track (7/8")**  
Options: J-Track (5/8"), Two Piece J-Track (5/8", 7/8", 1-3/8")
- 2. Traditional Flat Reveal Set (1-1/2")**  
Options: U-Reveal Set (3/4", 1-1/2")
- 3. Traditional Starter Strip (1-7/8")**  
Options: Starter J-Track (5/8")
- 4. Planks (2-1/2", 4", 6")**  
Options: Perforated Planks (2-1/2", 6")
- 5. Craftsman Termination Set (7/8")**  
Options: Termination Set (5/8", 1-3/8")



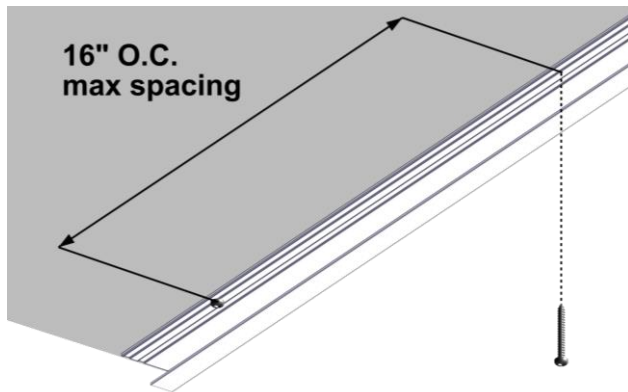
#### Legend:

- 1. Craftsman J-Track (7/8")**  
Options: J-Track (5/8"), Two Piece J-Track (5/8", 7/8", 1-3/8")
- 2. Traditional Flat Reveal Set (1-1/2")**  
Options: U-Reveal Set (3/4", 1-1/2")
- 3. Traditional Back-to-Back Starter Strip (1-1/4")**  
Options: Starter Strip at soffit edge
- 4. Planks (2-1/2", 4", 6")**  
Options: Perforated Planks (2-1/2", 6")
- 5. Craftsman Termination Set (7/8")**  
Options: Termination Set (5/8", 1-3/8")

## Install Steps – Parallel to the building

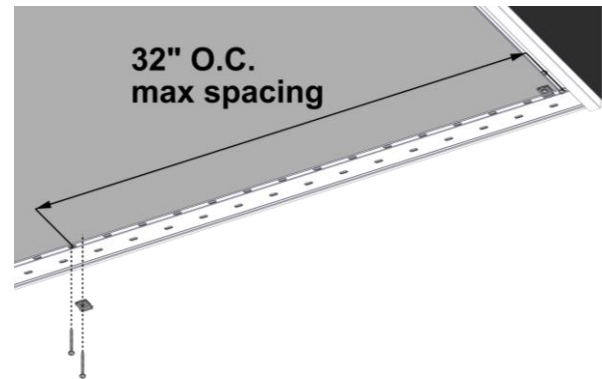


**Flat Reveal**  
(Only if required for long runs)  
Install the Flat Reveal Set base  
at the desired plank lengths.



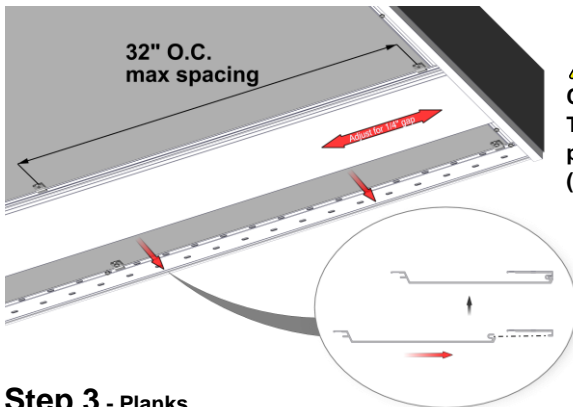
### Step 1 - J-Track


Install J-Track or Two-Piece J-Track perpendicular to Planks (e.g.: sides of soffit areas), or around penetrations or cutouts. Fasten every 16" O.C. with #8 Pan Head Screws. Trims can be mitered for a clean corner look.

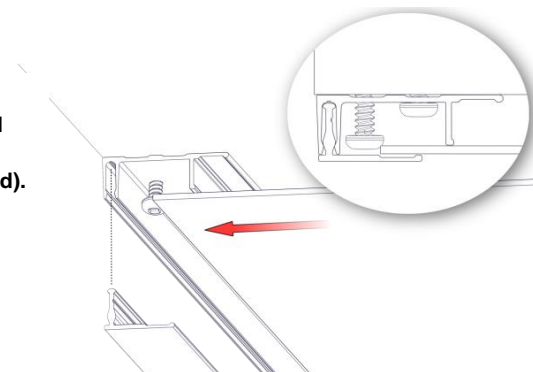


### Step 2 - Starter Strip

Install the Starter Strip along the edge of the soffit(s), fastening every 32" O.C. max with Quick Screen Clips & #8 Pan Head Screws (See Table 5 & 6 for wind loading). Notch the Starter J-Track to suit the trim component if required.



 **Cut off**  
Taped/Drilled  
plank ends  
(1/2" each end).



### Step 3 - Planks

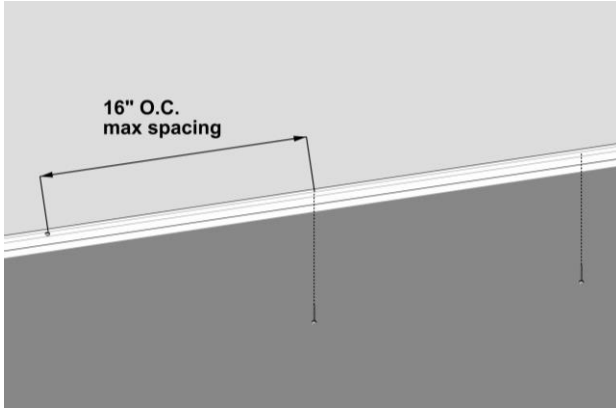
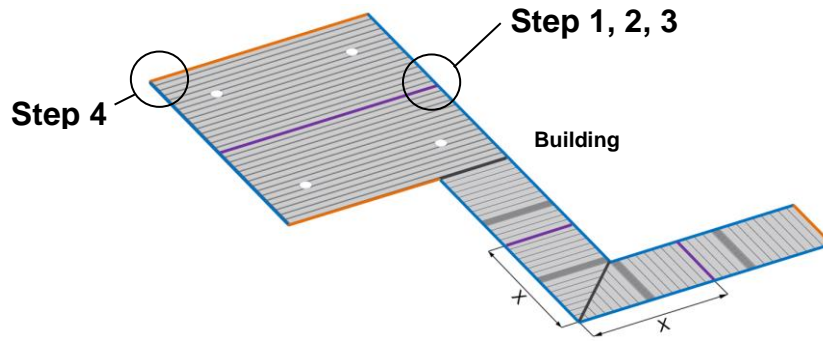
Place the planks onto the tongue of the Starter Strip, fully engaging tongue. Fasten with Quick Screen Clips & #8 Pan Head Screws @32" O.C. max spacing (See Tables 3 & 4 for wind loading). Hard fasten only one point preferably near the center of each plank. It is good practice to check your installation every 2-3 rows for level/plumb and flat or straight, for best results. Ensure there is sufficient room for expansion & contraction, also confirming component caps will cover.

### Step 4 - Termination

Before the last Plank, install Termination Set base fastening 16" O.C. typ.

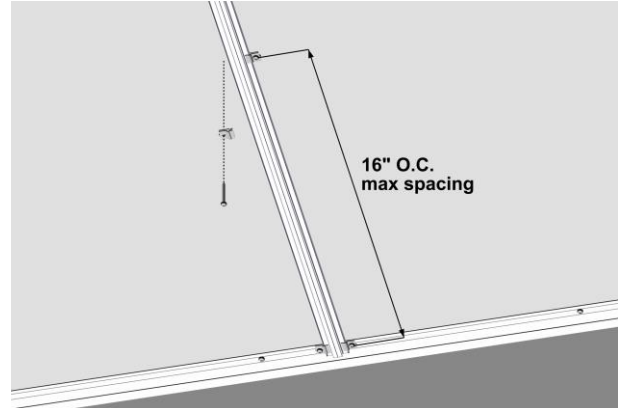
Confirm the trim component caps will cover the last Plank and adjust accordingly. Where terminating cut planks, provide a positive stop approximately every 16" (406mm). Finish off the trims with caps from two-piece sets.

**Install Steps – Perpendicular to the building**



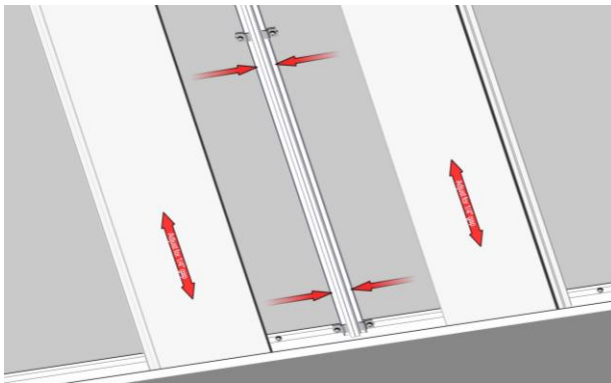
**Step 1 - J-Track**


Install J-Track or Two-Piece J-Track perpendicular to Planks (e.g.: sides of soffit areas), or around penetrations or cutouts. Fasten every 16" O.C. with #8 Pan Head Screws. Trims can be mitered for a clean corner look.



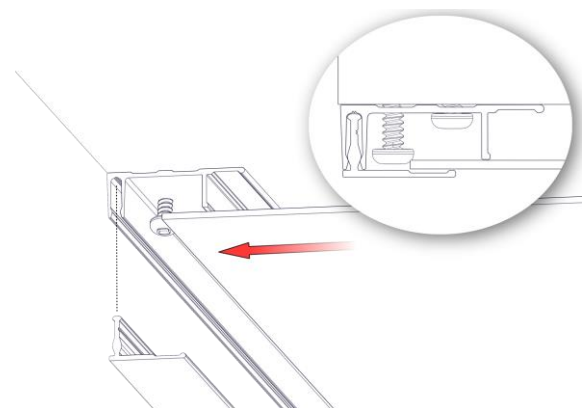
**Step 2 - Back-to-Back Starter**

Install the Back-to-Back Starter at the center of areas to achieve equal width ends. Fasten both sides every 16" O.C. max with Quick Screen Clips & #8 Pan Head Screws. Alternatively, use Starter Strip at the edge of soffit(s).



**Step 3 - Planks**  Cut off Taped/Drilled plank ends. (1/2" each end).

Place the planks onto the tongue of the Back-to-Back Starter, fully engaging tongue. Fasten with Quick Screen Clips & #8 Pan Head Screws @32" O.C. max spacing (See Tables 3 & 4 for wind loading). Hard fasten only one point preferably near the center of each plank. It is good practice to check your installation every 2-3 rows for level/plumb and flat or straight, for best results. Ensure there is sufficient room for expansion & contraction, also confirming component caps will cover.



**Step 4 - Termination**

Before the last Plank, install Termination Set base fastening 16" O.C. typ. Confirm the trim component caps will cover the last Plank and adjust accordingly to the suit the profile. Where terminating cut planks, provide a positive stop approximately every 16" (406mm). When all Planks are installed finish off the trims with caps from two-piece sets.

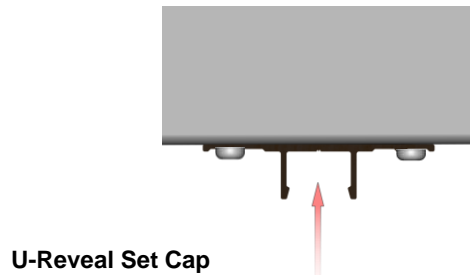


**Finishing Steps** - Once planks are installed, finish off the perimeter trims with caps from two-piece sets.

**Component Caps**

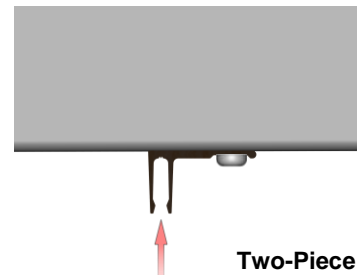
Location: Installed onto the base of the two-piece sets.

Details: If required, use a rubber mallet or hammer and block to protect the finish during this process.



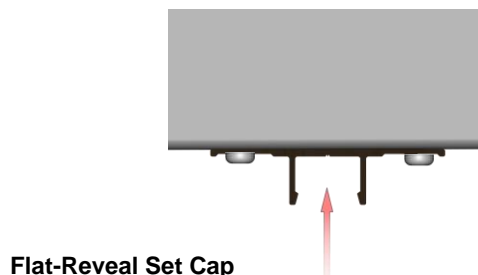
**U-Reveal Set Cap**

Trim sizes:  
3/4", 1-1/2"



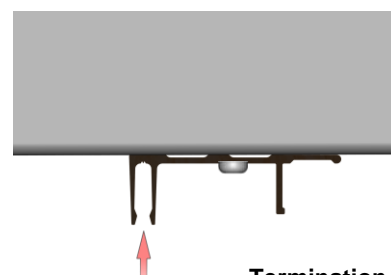
**Two-Piece J-Track Cap**

Trim sizes:  
5/8", 7/8", 1-3/8"



**Flat-Reveal Set Cap**

Trim sizes:  
3/4", 1-1/2"



**Termination Set Cap**

Trim sizes:  
5/8", 7/8", 1-3/8"

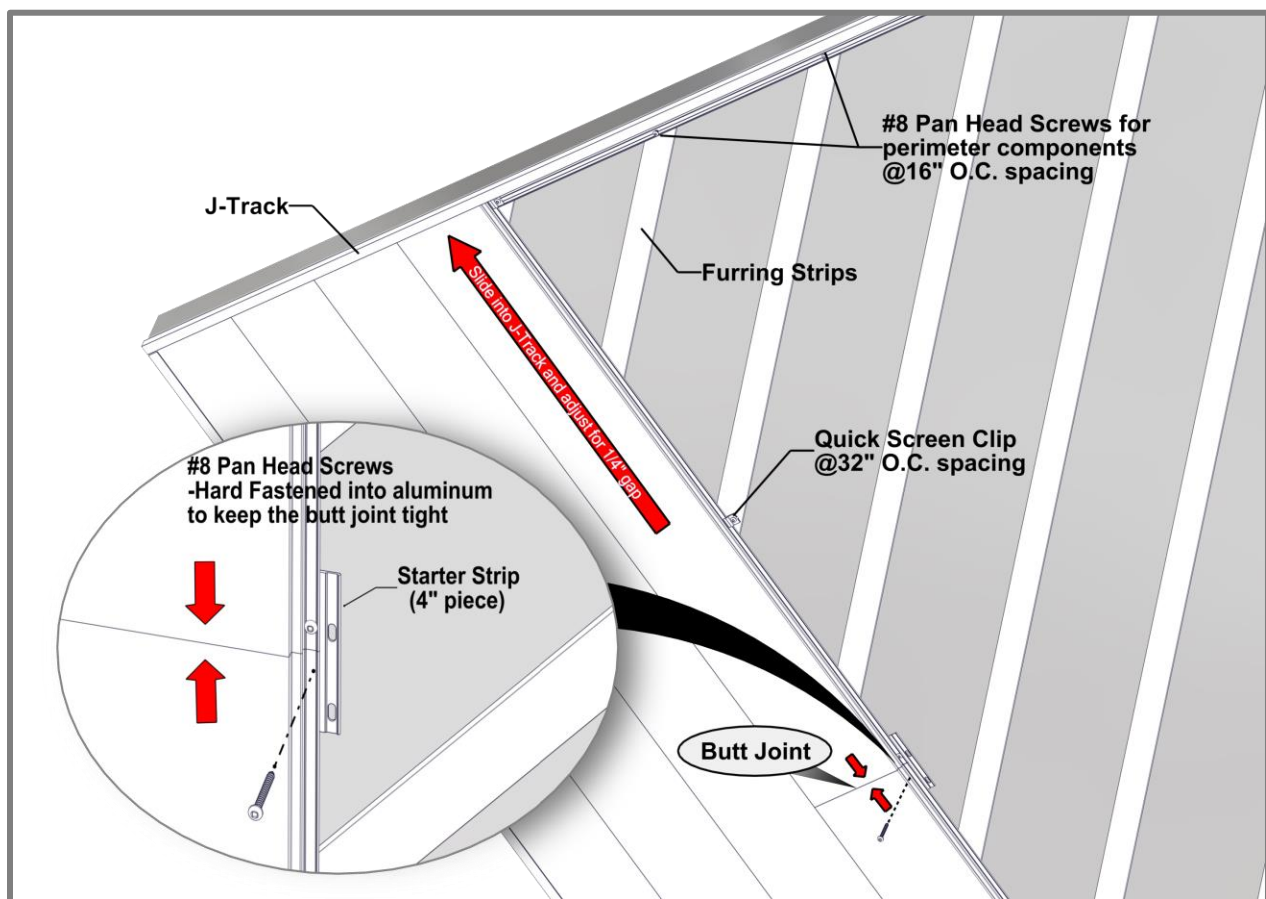


## Details

### Butt-Joints

- Consider using butt-joints along runs to minimize waste.
- When installing staggered butt-joints, hard-fasten the two planks at the butt-joint to ensure joints do not open up (**See Detail A**). Fasteners should be placed at the uppermost location of the plank flange, to not interfere with the next plank engaging the tongue and groove properly. At the butt-joint fasteners should be anchored into 4" length of Starter Strip.
- On exposed cuts such as butt-joints, trim ends or similar, use touch-up paint pens (purchased separately) to finish the ends of the two (2) planks at the butt-joint.
- DO NOT install more than one (1) butt-joint between two components
- DO NOT hard-fasten a plank to a component trim, as this will restrict its ability to expand & contract into the component.
- If no butt joints along the length, it is good practice to hard-fasten each plank directly through the flange near the center, to keep the planks from migrating.
- DO NOT hard-fasten more than one (1) location per plank.
- Fasten only:

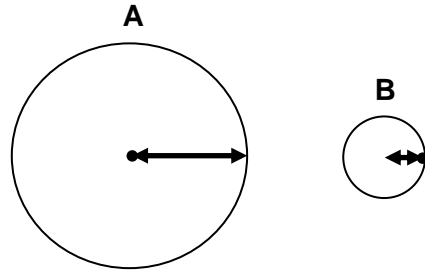
Situation	Location
No butt-joints:	-Center of planks
Butt-joints:	-At the joints



**Detail A**

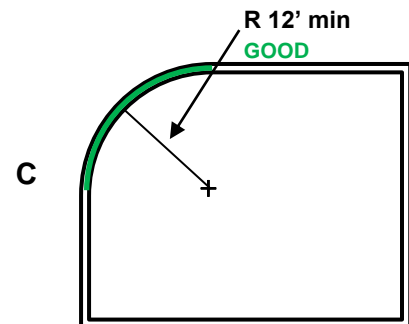
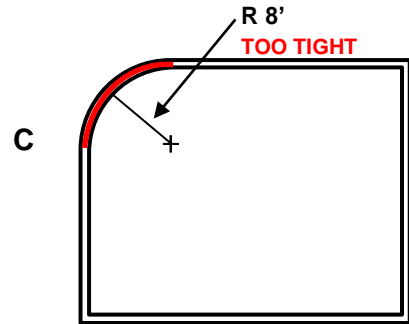
Radius Guide for Trims & Planks

Trim Description	Min. Bending Radius	Ref.
Precision J-Track (5/8")	15' (4.57m)	A
Non-Tempered Precision J-Track (5/8")	1.5' (0.46m)	B
Two-Piece J-Track (5/8")	15' (4.57m)	A



When bending & securing components, bend against solid secure object and take care not to over bend.

Plank Description	Min. Bending Radius		
	C (Concave/Convex)	D (Convex)	E (Concave)
4" V-Groove	12' (4.57m)	3' (0.91m)	6' (1.83m)
6" V-Groove	12' (4.57m)	3' (0.91m)	6' (1.83m)
6" Channel	12' (4.57m)	3' (0.91m)	6' (1.83m)



# Appendix

## Expansion and Contraction Tables

TABLE 1 - IMPERIAL

		AVERAGE TEMPERATURE AT TIME OF CUTTING & INSTALLATION											
		°C	-50	-40	-30	-20	-10	0	10	20	30	40	50
		°F	-58	-40	-22	-4	14	32	50	68	86	104	122
MIN/MAX POST CONSTRUCTION TEMP.	°C	°F	EXPANSION OR CONTRACTION (INCH/FOOT)										
	-50	-58	0.000	-0.003	-0.005	-0.008	-0.011	-0.014	-0.016	-0.019	-0.022	-0.024	-0.027
	-40	-40	0.003	0.000	-0.003	-0.005	-0.008	-0.011	-0.014	-0.016	-0.019	-0.022	-0.024
	-30	-22	0.005	0.003	0.000	-0.003	-0.005	-0.008	-0.011	-0.014	-0.016	-0.019	-0.022
	-20	-4	0.008	0.005	0.003	0.000	-0.003	-0.005	-0.008	-0.011	-0.014	-0.016	-0.019
	-10	14	0.011	0.008	0.005	0.003	0.000	-0.003	-0.005	-0.008	-0.011	-0.014	-0.016
	0	32	0.014	0.011	0.008	0.005	0.003	0.000	-0.003	-0.005	-0.008	-0.011	-0.014
	10	50	0.016	0.014	0.011	0.008	0.005	0.003	0.000	-0.003	-0.005	-0.008	-0.011
	20	68	0.019	0.016	0.014	0.011	0.008	0.005	0.003	0.000	-0.003	-0.005	-0.008
	30	86	0.022	0.019	0.016	0.014	0.011	0.008	0.005	0.003	0.000	-0.003	-0.005
	40	104	0.024	0.022	0.019	0.016	0.014	0.011	0.008	0.005	0.003	0.000	-0.003
	50	122	0.027	0.024	0.022	0.019	0.016	0.014	0.011	0.008	0.005	0.003	0.000

TABLE 2 - METRIC

		AVERAGE TEMPERATURE AT TIME OF CUTTING & INSTALLATION											
		°C	-50	-40	-30	-20	-10	0	10	20	30	40	50
		°F	-58	-40	-22	-4	14	32	50	68	86	104	122
MIN/MAX POST CONSTRUCTION TEMP.	°C	°F	EXPANSION OR CONTRACTION (MM/METER)										
	-50	-58	0.000	-0.230	-0.460	-0.690	-0.920	-1.150	-1.380	-1.610	-1.840	-2.070	-2.300
	-40	-40	0.230	0.000	-0.230	-0.460	-0.690	-0.920	-1.150	-1.380	-1.610	-1.840	-2.070
	-30	-22	0.460	0.230	0.000	-0.230	-0.460	-0.690	-0.920	-1.150	-1.380	-1.610	-1.840
	-20	-4	0.690	0.460	0.230	0.000	-0.230	-0.460	-0.690	-0.920	-1.150	-1.380	-1.610
	-10	14	0.920	0.690	0.460	0.230	0.000	-0.230	-0.460	-0.690	-0.920	-1.150	-1.380
	0	32	1.150	0.920	0.690	0.460	0.230	0.000	-0.230	-0.460	-0.690	-0.920	-1.150
	10	50	1.380	1.150	0.920	0.690	0.460	0.230	0.000	-0.230	-0.460	-0.690	-0.920
	20	68	1.610	1.380	1.150	0.920	0.690	0.460	0.230	0.000	-0.230	-0.460	-0.690
	30	86	1.840	1.610	1.380	1.150	0.920	0.690	0.460	0.230	0.000	-0.230	-0.460
	40	104	2.070	1.840	1.610	1.380	1.150	0.920	0.690	0.460	0.230	0.000	-0.230
	50	122	2.300	2.070	1.840	1.610	1.380	1.150	0.920	0.690	0.460	0.230	0.000

**TABLE 3**

4" PLANKS		PSF (Factored / Ultimate)											
		20	30	40	50	60	70	80	90	100	110	121	
QUICK-SCREEN CLIP SPACING (IN) <sup>1, 2, 3</sup>	16"	Wood											
		16ga											
		18ga											
		20ga											
	24"	Wood											
		16ga											
		18ga											
		20ga											
	32"	Wood											
		16ga											
		18ga											
		20ga											

All testing has been performed using L/180 deflection limits

Substrate Types: Sheathed Wood-Frame Wall w/2.0 in. lg. #8 Pan-head wood screws  
 Sheathed 16ga, 50ksi Steel Stud Wall w/#8 Pan-Head Self-Drilling Screws  
 Sheathed 18ga, 33ksi Steel Stud Wall w/#8 Pan-Head Self-Drilling Screws  
 Sheathed 20ga, 33ksi Steel Stud Wall w/#8 Pan-Head Self-Drilling Screws

1\_Spacing is from clip center to center  
 2\_An unfactored dead load of 1.5 psf was assumed for the cladding  
 3\_If fastening to every second stud, the attachment stud shall be staggered between adjacent runs of cladding

**TABLE 4**

6" PLANKS		PSF (Factored / Ultimate)											
		20	30	40	50	60	70	80	90	100	110	121	
QUICK-SCREEN CLIP SPACING (IN) <sup>1, 2, 3</sup>	16"	Wood											
		16ga											
		18ga											
		20ga											
	24"	Wood											
		16ga											
		18ga											
		20ga											
	32"	Wood											
		16ga											
		18ga											
		20ga											

All testing has been performed using L/180 deflection limits

Substrate Types: Sheathed Wood-Frame Wall w/2.0 in. lg. #8 Pan-head wood screws  
 Sheathed 16ga, 50ksi Steel Stud Wall w/#8 Pan-Head Self-Drilling Screws  
 Sheathed 18ga, 33ksi Steel Stud Wall w/#8 Pan-Head Self-Drilling Screws  
 Sheathed 20ga, 33ksi Steel Stud Wall w/#8 Pan-Head Self-Drilling Screws

1\_Spacing is from clip center to center  
 2\_An unfactored dead load of 1.5 psf was assumed for the cladding  
 3\_If fastening to every second stud, the attachment stud shall be staggered between adjacent runs of cladding



**TABLE 5**

STARTER STRIP w. 4" PLANK		PSF (Factored / Ultimate)											
		20	30	40	50	60	70	80	90	100	110	121	
QUICK-SCREEN CLIP SPACING (IN) <sup>1, 2, 3</sup>	16"	Wood	End	End	End	End	End	End	End	End	End	End	End
		16ga	End	End	End	End	End	End	Mid	Mid	Mid	Mid	
		18ga	End	End	Mid	Mid	Mid	Mid	Mid	Mid			
		20ga	Mid	Mid	Mid	Mid	Mid	Mid	Mid				
32"	Wood	End	End	End									
	16ga	End	End										

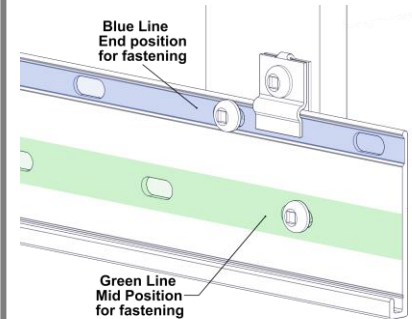
All testing has been performed using L/180 deflection limits

Substrate Types: Sheathed Wood-Frame Wall w/2.0 in. lg. #8 Pan-head wood screws  
 Sheathed 16ga, 50ksi Steel Stud Wall w/#8 Pan-Head Self-Drilling Screws  
 Sheathed 18ga, 33ksi Steel Stud Wall w/#8 Pan-Head Self-Drilling Screws  
 Sheathed 20ga, 33ksi Steel Stud Wall w/#8 Pan-Head Self-Drilling Screws

Position of screw: End - Screw is positioned at end of the Starter Strip  
 Mid - Screw is positioned in the middle of the Starter Strip

1\_Spacing is from clip center to center  
 2\_An unfactored dead load of 1.5 psf was assumed for the cladding  
 3\_If fastening to every second stud, the attachment stud shall be staggered between adjacent runs of cladding

**Position of Fastener  
for Table 5 & 6**



**TABLE 6**

STARTER STRIP w. 6" PLANK		PSF (Factored / Ultimate)											
		20	30	40	50	60	70	80	90	100	110	121	
QUICK-SCREEN CLIP SPACING (IN) <sup>1, 2, 3</sup>	16"	Wood	End	End	End	Mid	Mid	Mid	Mid	Mid	Mid	Mid	Mid
		16ga	End	End	End	Mid	Mid	Mid	Mid	Mid			
		18ga	End	Mid	Mid	Mid	Mid	Mid					
		20ga	Mid	Mid	Mid	Mid							
32"	Wood	End											
	16ga	End											

All testing has been performed using L/180 deflection limits

Substrate Types: Sheathed Wood-Frame Wall w/2.0 in. lg. #8 Pan-head wood screws  
 Sheathed 16ga, 50ksi Steel Stud Wall w/#8 Pan-Head Self-Drilling Screws  
 Sheathed 18ga, 33ksi Steel Stud Wall w/#8 Pan-Head Self-Drilling Screws  
 Sheathed 20ga, 33ksi Steel Stud Wall w/#8 Pan-Head Self-Drilling Screws

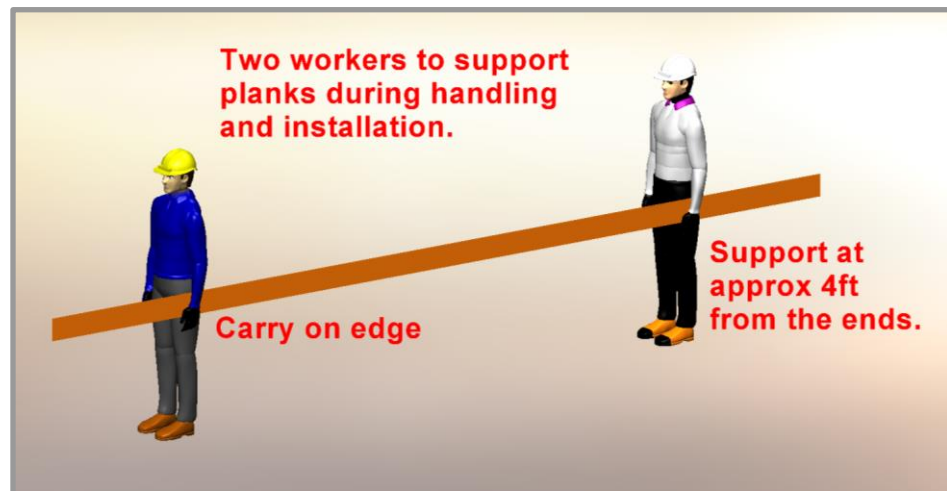
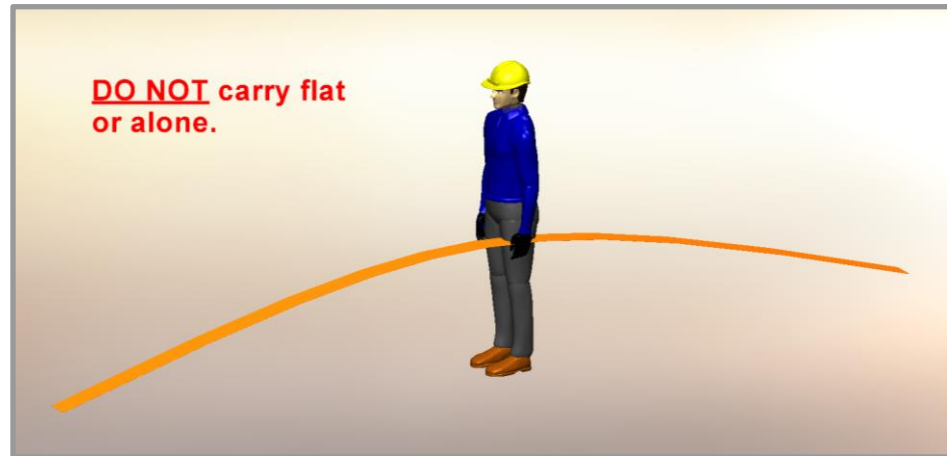
Position of screw: End - Screw is positioned at end of the Starter Strip  
 Mid - Screw is positioned in the middle of the Starter Strip

1\_Spacing is from clip center to center  
 2\_An unfactored dead load of 1.5 psf was assumed for the cladding  
 3\_If fastening to every second stud, the attachment stud shall be staggered between adjacent runs of cladding

## Proper Handling of Longboard Products



To help avoid injury and product damage, Longboard products require proper handling to and from storage areas during installation. When carrying or installing any products it is recommended that they be moved or carried by at least two people with each support point approximately 4ft from the ends. **Carrying products without proper support can cause excessive bending which may damage the appearance or finish of the product.** Any short cut lengths should also be carried on edge while supporting the material. See below for details.



### ⚠️ Delivery, Storage & Handling ⚠️

- Always inspect the delivery for damage and contact LB ASAP if there are any issues: [info@longboardproducts.com](mailto:info@longboardproducts.com) or 1-800-604-0343 and include your PO# and any pictures if possible. Longboard is not responsible for the installation of blemished or damaged material.
- Be sure to store the material flat, keep it dry, safe & secure and remain in unopened cartons until ready to be installed.
- Always wear appropriate PPE when handling products.



Longboard Architectural Products Inc.  
© Longboard Architectural Products Inc. All rights reserved.

Longboard® is a registered trademark of Longboard Architectural Products Inc.

Longboard  
1777 Clearbrook Road  
Abbotsford, BC V2T 8X8  
Canada  
[longboardproducts.com](http://longboardproducts.com)

Every effort has been made to ensure that the information in these installation guidelines are accurate. Longboard is not responsible for printing or clerical errors.

For more information, contact client care at [info@longboardproducts.com](mailto:info@longboardproducts.com) or call toll free 1-800-604-0343.

**Tongue & Groove Systems**

**V-Groove Planks** \* 48 sq. ft. box quantities † 96 sq. ft. box quantities

Size	12' *	24' *	12' Perf *	24' Perf *
2½"	3V.145	-	3VP.145	-
4"	4V.145	4V.289	-	-
6"	6V.145	6V.289	6VP.145	6VP.289

**Smooth Planks**

Size	12' *	24' *	12' Perf *	24' Perf *
6"	6PSP.145	6PSP.289	6PSPP.145	6PSPP.289

**Channel Planks**

Size	12' *	24' *	12' Perf *	24' Perf *
6"	6CH.145	6CH.289	-	-

**Bevel Planks**

Size	12' *	24' *	12' Perf *	24' Perf *
6" Single	6SB.145	6SB.289	-	-
6" Triple	6TB.145	6TB.289	-	-

**Castellation Planks**

Size	12' *	24' *	12' Perf *	24' Perf *
4"	4CA.145	4CA.289	-	-
8"	8CA.145	8CA.289	-	-

**Trim Components**

Type	Style	Product	Dimensions	SKU
Starter	Precision	Starter J-Track	(5/8") - 12'	1SJT.145
Starter	Traditional	Starter Strip	(1-7/8") - 12'	2SS.145
Starter	Traditional	Back-to-Back Starter Strip	(1-1/4")	2BTBSS.145
J-Track	Precision	Two Piece J-Track	(5/8") - 12'	1X1JT.145
J-Track	Precision	J-Track	(5/8") - 12'	1JT.145
J-Track	Craftsman	J-Track	(7/8") - 12'	JT23.145
J-Track	Craftsman	Two Piece J-Track	(7/8") - 12'	JT23S.145
J-Track	Traditional	Two Piece J-Track	(1-3/8") - 12'	1X2JT.145
Corner	Precision	Outside Corner	(3/16") - 12'	05OC.145
Corner	Craftsman	Inside Corner	(3/4") - 12'	1IC.145
Corner	Craftsman	Outside Corner	(1") - 12'	1OC.145
Corner	Traditional	Corner Set	(2") - 12'	2CORS.145
Corner	Traditional	3" Smooth	(3") - 24'	3SCP.289
Corner	Traditional	3" V-Groove	(3") - 24'	3SVP.289
Reveal	Precision	Flat Reveal	(1/2") - 12'	1FR.145
Reveal	Precision	T&G Flat Reveal	(1/2") - 24'	1TGFR.289
Reveal	Craftsman	U-Reveal Set	(3/4") - 12'	1URS.145
Reveal	Craftsman	T&G U-Reveal	(3/4) - 24'	1TGURK.289
Reveal	Traditional	U-Reveal Set	(1-1/2") - 12'	2URS.145
Reveal	Traditional	Flat Reveal Set	(1-1/2") - 12'	2FRS.145
Reveal	Traditional	T&G U-Reveal	(1 1/2") - 24'	2TGURK.289
Reveal	Traditional	Offset Flat Reveal Set, J-Track Base	(2") - 12'	2OFFJ.145
Reveal	Traditional	Offset Flat Reveal Set, Termination Base	(2") - 12'	2OFFT.145
Termination	Precision	Termination Set	(5/8") - 12'	1TS.145
Termination	Craftsman	Termination Set	(7/8") - 12'	TS23S.145
Termination	Traditional	Termination Set	(1-3/8") - 12'	2TS.145
Compression Joints	Traditional	Compression Joint	(1-3/8") - 24'	2CJ.289



V-Groove Planks



Smooth Planks



Channel Planks



Perforated Planks



Bevel Planks



Castellation Planks

**Accessories**

Product	Qty	SKU
Quick Screen Clips	1750, box	CLIP.N1750
Quick Screen Clips	100, bag	CLIP.N100
Touch Up Pens	N/A	TUP

*Reach out to confirm color with account manager.*



Precision Starter J-Track



Traditional Starter Strip



Traditional Back-to-Back Starter Strip



Precision Two-Piece J-Track



Precision J-Track



Craftsman J-Track



Craftsman Two Piece J-Track



Traditional Two Piece J-Track



Precision Outside Corner



Craftsman Inside Corner



Craftsman Outside Corner



Traditional Corner Set



Traditional 3" Smooth Corner



Traditional 3" V Groove Corner



Precision Flat Reveal



Precision T&G Flat Reveal



Craftsman U-Reveal Set



Craftsman T&G U-Reveal



Traditional U-Reveal Set



Traditional Flat Reveal Set



Traditional T&G U-Reveal



Traditional Offset Flat Reveal Set, J-Track Base



Traditional Offset Flat Reveal Set, Termination Base



Precision Termination Set



Craftsman Termination Set



Traditional Termination Set



Traditional Compression Joint

## Link & Lock™ Battens

Size	12'	24'	End Caps (20/box)	End Mounts (20/box)
2"	2X2LL.145	2X2LL.289	2LLEC.2	2LLEM.2
4"	2X4LL.145	2X4LL.289	2LLEC.4	2LLEM.4
6"	2X6LL.145	2X6LL.289	2LLEC.6	2LLEM.6
8"	2X8LL.145	2X8LL.289	2LLEC.8	2LLEM.8

### Link & Lock™ HD Battens

4"	2X4LLHD.145	2X4LLHD.289	2LLHDEC.4	2LLHDEM.4
6"	2X6LLHD.145	2X6LLHD.289	2LLHDEC.6	2LLHDEM.6
8"	2X8LLHD.145	2X8LLHD.289	2LLHDEC.8	2LLHDEM.8

### Link & Lock™ Box Battens

4 x 4"	4X4LL.145	4X4LL.289	4LLEC.4	-
4 x 6"	4X6LL.145	4X6LL.289	4LLEC.6	-



Link & Lock™ Box Battens

Mounting Accessories	Qty	SKU
Link & Lock Mounting Clip	48, bag	LLMC.N48
Dewalt® 1/2" Pilot Point Drill Bit	1	DRILLBT.05
24" Link & Lock Internal Stiffener	1	LLSTIFF.289
3M® Double Sided Adhesive Tape - 108'	1, roll	LLTAPE.1296



Link & Lock™ Batten

Link & Lock™ HD Batten

### Link & Lock™ Mounting Brackets

Product	Single	Dual
45° LEFT FIXED	LLMBK.45LF	LLMDK.45LF
45° RIGHT FIXED	LLMBK.45RF	LLMDK.45RF
90° CENTER FIXED	LLMBK.90F	LLMDK.90F
45° LEFT SLIDING	LLMBK.45LS	LLMDK.45LS
45° RIGHT SLIDING	LLMBK.45RS	LLMDK.45RS
90° CENTER SLIDING	LLMBK.90S	LLMDK.90S



Single

Dual

Link & Lock™ Mounting Brackets

## Privacy Beam System

Size	Product	24'	End Caps (20/box)
1x3"	Privacy Beam	1X3B.289	1BEC.3
1x5"	Privacy Beam	1X5B.289	1BEC.5
2x2"	Single Post	2X2SP.289	2X2PC.2
2x3"	Double Post	2X3DP.289	2X3PC.3

Mounting Accessories	Qty	SKU
Spacer Block	100, box	2X2SB.N100
1" Spacer Bar Stock Length	1	1X2FB.145
1x3" Spacer Bar	100, box	1X2FB.1
1x5" Spacer Bar	100, box	1X2FB.3
3" Mounting Bracket	100, box	3PSMB.1
#10 Black Screws	100, box	PECS.N100



Privacy Beam

## Finishes

### Woodgrains

Woodgrain	15 Year Finish Warranty	20 Year Finish Warranty	Woodgrain	15 Year Finish Warranty	20 Year Finish Warranty
Beechwood	15BEE	-	Light Oak	15LOK	-
Black Oak	15BKO	-	Light Olive	15LOL	-
Birchwood	15BWD	-	National Mahogany	15NMH	20NMH
Blonde Oak	15BOK	-	Rock Elm	15REM	-
Burnt Cherry	15BCY	-	Southern Yellow Pine	15SYP	-
Dark Acacia	15DAC	20DAC	Table Walnut	15TWL	20LFR
Dark Antique Oak	15DAO	-	Western Cedar	15WCD	-
Dark Bamboo	15DBB	20DBB	White Oak	15WOK	-
Dark Cherry	15DCY	20DCY			
Dark Fir	15DFR	20DFR			
Dark Knotty Pine	15DKP	20DKP			
Dark National Walnut	15DNW	20DNW			
Dark Olive	15DOL	-			
Dark Walnut	15DWL	-			
Driftwood	15DWO	-			
Grey Douglas Fir	15GDF	-			
Grey Hemlock	15GHL	-			
Italian Rosewood	15IRW	20IRW			
Light Bamboo	15LBB	20LBB			
Light Cherry	15LCY	-			
Light Fir	15LFR	20LFR			
Light National Walnut	15LNW	-			

### Solid & Specialty

Solid & Specialty	15 Year Finish Warranty	20 Year Finish Warranty
Alabaster	15ALB	-
Baked Clay	15BCL	-
Bedrock	15BRK	-
Biscotti	15BIS	20BIS
Bone White	15BWH	20BWH
Brownstone	15BST	-
Burnt Sienna	15BSN	20BSN
Chili Pepper	15CHP	20CHP
Classic Bronze	15CBZ	20CBZ
Copper Penny	15CPE	20CPE
Dark Brown	15DBR	20DBR
Imperial Slate	15ISL	20ISL
Limestone	15LST	-
Medium Blue	15MBL	20MBL
Moonstone	15MOO	20MOO
Onyx Black	15OBL	20OBL
Pebble	15PEB	-
Portland Stone	15PST	-
Relicstone	15RST	-
Shale	15SHA	20SHA
Slate Grey	15SGR	20SGR
Ultra White	15UWH	20UWH
Venus	15VEN	20VEN

### Naturally Aged Metals

Naturally Aged Metals	15 Year Finish Warranty	20 Year Finish Warranty
Brooklyn	15BRK	-
Eiffel	15EIF	-
Empire	15EMP	-
Golden Gate	15GGA	-
Liberty	15LIB	-

#### Example of complete product SKU

6V.289.15DFR  
(Product.Length.Finish)



# Finish Options

## Achieve your vision.

Whether creating a space that offers the warmth and appearance of Woodgrains, or the modern industrialized look of Naturally Aged Metals, we have a finish option for you.

Require a custom finish or color? Our experienced color-matching team can make it a reality!

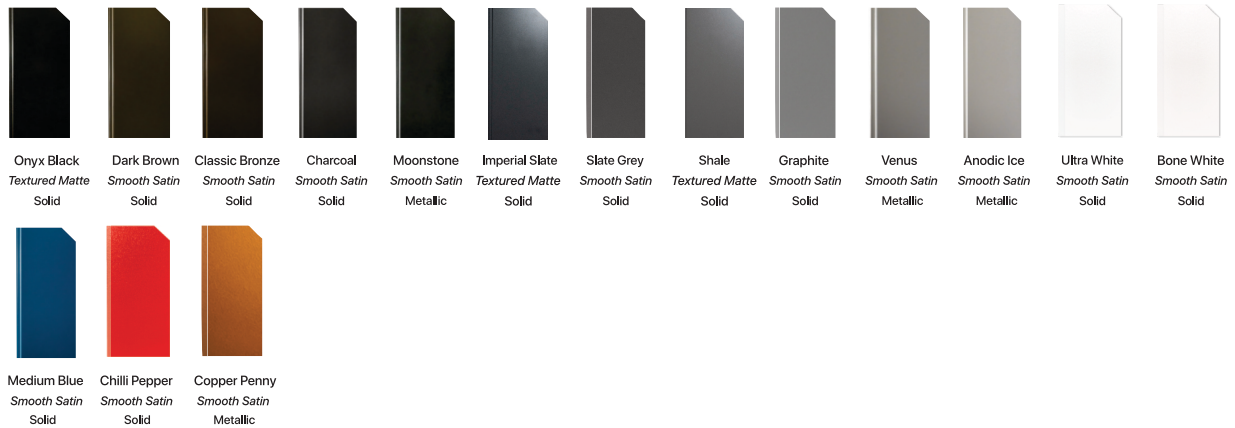
Contact us to confirm lead times for orders greater than 15k sq.ft in the Most Popular Finishes category.

## Woodgrains

Longboard's woodgrain finishes have a slight texture with matte sheen.



## Solid & Specialty



### Longboard Finish Classification

**Type:** Woodgrain / Solid / Metallic / Speckle / Naturally Aged Metal  
**Surface:** Smooth / Textured  
**Sheen:** Matte / Satin / Glossy  
**Performance:** AAMA 2604 / AAMA 2605  
**Finish Warranty:** 15 Year / 20 Year

## Speckle



## Naturally Aged Metals



**15 Year Non-Prorated Powder Coating Finish - 50 Year Non-Prorated Extruded Aluminum Profiles [ Limited Warranty ]**
**Warranty granted to (building owner):**


Longboard Architectural Products Inc. ("Longboard," "The Company") products as identified by the Product Codes listed will conform to the standards set out in Clause 1 and Clause 2 of this Warranty, subject to the terms and conditions set out in Clause 3 and 4 of this Warranty.

**Product codes: Product description:**

<b>Finish:</b>	

Install contractor	
Project name	
Project address	
Address 2	Install start date
Date of substantial completion	

This Pinnacle Warranty is only valid for applications within Canada and USA. All applications outside of Canada and USA are required to contact Longboard for assistance.

- Clause 1**  
Extruded Aluminum Profile(s) with Powder Coat Finish Longboard expressly warrants that its product line is free from manufacturing defects in material or workmanship.
- 1.1 When product is applied according to Longboard Instructions and properly maintained, such product is guaranteed against the following:
  - 1.2 Buckling: The product itself will be free of any buckling that is not associated with the substrate and/or structure to which the Longboard system is attached. For the purpose of this warranty, buckling shall be defined as warping of the product(s) exceeding one sixteenth of an inch out of plane per linear foot.
  - 1.3 Corrosion: When installed in normal atmospheric conditions according to Longboard Instructions and properly maintained, such product is further guaranteed against rusting and corroding. Subject to the limitations set out in Clause 3 and 4.
  - 1.4 What we will do: If, during the fifteen (15) year Limited Warranty Period on the powder coating finish, the Product is defective in material or workmanship, Longboard will, in its sole discretion, either repair or replace the defective portion of the Product.
  - 1.5 What we will do: If, during the fifteen (50) year Limited Warranty Period on the extruded aluminum profiles, the Product is defective in material or workmanship, Longboard will, in its sole discretion, either repair or replace the defective portion of the Product.
  - 1.6 After the 15th year, this Limited Warranty on the powder coated finish will expire and shall no longer be applicable.
  - 1.7 After the 50th year, this Limited Warranty on the aluminum extruded profile(s) will expire and shall no longer be applicable.
  - 1.8 Longboard replacement of the defective Product or reimbursement of this Limited Warranty is the exclusive remedy for the Covered Person for any defect in materials or workmanship. The Company will pay for all reasonable costs including material and labor as it relates to the repair and/or replacement of the defective Product.
- Clause 2**  
Product Finish - AAMA 2604 Performance Specification
- 2.1 During the first fifteen (15) years of this warranty:
  - 2.2 Checking/Cracking: No visible checking or cracking of the product finish on the building.
  - 2.3 Chalking Resistance: No chalking of the product finish on the building in excess of that represented by No.8 rating based on ASTM D4214.
  - 2.4 Color Retention: No color change of the product finish on the building greater than 5 (five) CIE Lab ΔE units calculated in accordance with ASTM Z244 Section 6.3. Color change shall be measured on the exposed paint surface which has been cleaned of oil, grease, chalk, oxidized film or other contaminants, corresponding values shall be measured on the control panel.
  - 2.5 Gloss Retention: Coated surface will exhibit gloss retention of a minimum of 30% of the original. Gloss retention shall be measured on the exposed paint surface which has been cleaned of oil, grease, chalk, oxidized film or other contaminants, corresponding values shall be measured on the control panel.
- Clause 3**
- 3.1 Warranty Terms and Conditions:
  - 3.2 The "Warranty Period" for the warranties in Clause 1 shall mean the respective number of years or for as long as the Covered Person commencing on the date of substantial completion named above shall live and own the property on which the material was originally installed.
  - 3.3 Registration of the product is required within ninety (90) days from substantial completion for the warranty to be in effect. This warranty is valid for the original owner and one other subsequent owner of the structure where the product(s) have been installed.
  - 3.4 Normal atmospheric conditions exclude corrosive or aggressive atmospheres such as those contaminated with chemical fumes or other corrosive elements. The product finish is not meant for marine use on boats, ships or offshore platforms.
  - 3.5 The product finish warranties as outlined in Clause 2 shall include coverage of the finish as it relates to the impact effects from hail and woodpecker birds.
  - 3.6 Under no circumstance shall Longboard's liability under this limited warranty exceed 2.5 times the total corresponding Longboard material cost (excluding sales tax, labor and installation related costs) as noted on the original purchase invoice and paid by the Buyer for the specific project.
- Clause 4**
- 4.1 This warranty will not extend or cover:
  - 4.2 Damages to the coated metal caused by handling, shipping, processing and/or installation; or
  - 4.3 Damages to the coated metal caused by scratching or abrading after installation; or
  - 4.4 Damages to the coated metal as a result of standing water in horizontal installations.
  - 4.5 The warranty will not be applicable to damage or failure, which is caused by acts of God, falling objects, external forces, explosions, fire, riots, civil commotion, acts of war, or other such similar or dissimilar occurrences beyond The Company's control.
  - 4.6 Customer shall make available to The Company the dates of the installation of the coated metal, the maintenance records including details of washing and cleaning procedures in compliance with the cleaning requirements as stated in the Required Maintenance section of this warranty. Customers shall demonstrate that the failure of the coated metal was due to a breach of the warranty stated herein.
  - 4.7 Claims must be made in writing to Longboard within 30 days of the discovery of a problem and authorization obtained prior to beginning any repair and/or refinishing work.
- Clause 4.8**  
The claimant must provide proof of coverage. Claims can be made by writing to Longboard at the Product Performance Department. After receiving such notice, The Company must be given a reasonable opportunity to inspect and verify the claim. Longboard exclusive liability under this warranty, or otherwise, will be limited to refinishing and/or repairing, at The Company's sole discretion, the defective powder coated product. The warranty on any refinished, repaired or replaced coated metal supplied hereunder shall be for the remainder of the warranty period applicable to the originally coated metal. All warranty work will be performed by a company or contractor selected by Longboard. Color variance between refinished and/or repainted product and original shall not be indicative of a defect.
- Clause 4.9**  
This warranty represents the entire agreement between parties in relation to its subject matter and supersedes any previous agreement whether written or oral between the parties in relation to its subject matter. The limited warranties state the entire liability of Longboard with respect to the products covered by them. The Company shall have no liability for any incidental or consequential damages. No person is authorized to make any representation or warranty on behalf of Longboard except as expressly set forth above, and any such statement shall not be binding on The Company. Except as expressly set forth above, Longboard makes no warranty of any kind, express or implied, including, without limitation, any implied warranty of merchantability or fitness for a particular purpose. Warranties shall be the duration of the limited warranty, or such shorter duration as provided under applicable local law. These limited warranties give you specific legal rights, and you may also have other rights which vary from area to area.
- Clause 4.10**  
Nothing in this warranty shall be construed as a warranty of the workmanship of any installer or as imposing on Longboard any liability for unsatisfactory performance caused by faulty workmanship in installation.
- Clause 4.11**  
It's agreed all parties involved that all claims and disputes relating to this agreement that cannot be settled through negotiation will try in good faith to first settle the dispute by mediation administered by the American Arbitration Association (Construction Industry Mediation Procedures) as a prelude to mandatory binding arbitration. Such binding arbitration is to be conducted and administered by the Construction Industry Arbitration Rules of the American Arbitration Association. Both seller and purchaser agree to share equally in the costs of both mediation and arbitration and that such binding arbitration will be the sole and final remedial action.
- Clause 4.12**  
Required Maintenance. Depending on the Project Environment, follow the maintenance schedule as outlined in the Longboard Care & Maintenance Guide. Use a soft sponge or cloth, water and mild detergent, non-abrasive soap with the pH range of 5-9 to clean the powder coated area of dirt, grime and other debris. Pressure washing and the use of harsh detergents or chemicals is not recommended. Include in your maintenance records the following: date, time, specific products used, name of maintenance person and their designation, maintenance company name and general condition of the powder coated finish.

I have read and agree to the terms of the Longboard® Product 15 year powder coated surface and 50 year aluminum extruded profile(s) warranty and acknowledge receipt of a copy of the Warranty Certificate.

**Name of owner or contractor:**

**Date:**

**Signature:**


**Duly authorized on behalf of Longboard:**
**Name and designation:**

**Date:**

**Signature:**

