



LONGBOARD®
INSPIRING ARCHITECTURE

Interior

Panelboard™ Walls

Installation Guidelines



Table of Contents

<u>Material Specifications</u>	3
Finishes	3
Expansion and contraction	3
Material ordering and deliveries	3
Storage and handling	4
Cleaning	4
Warranty	4
<u>Components</u>	5
Components (Typical)	5
<u>Tools/Cutting/Fastening</u>	6
Tools	6
Cutting	6
Fastening	7
Fastener types	7
Framing requirements	8
Furring recommendations	8
<u>System Install</u>	9
Perimeter and field area limitations	9
Component layout	10
Corners	10
J-Track	10
Starter J-Track	10
U Reveal Set	11
T&G U-Reveal	11
Termination Set	11
Install Steps	12-18
Details	19
Butt-Joints	19-20
Floor elevations	21
<u>Appendix</u>	22
Tables - Expansion & contraction	22
Tables - Quick Screen clip/wind load	23
Handling and care of products	24
Blank Page	25
Contact Info	26

Material Specifications

Finishes

- Longboard Products are available in a wide range of powder coated finishes.
- Custom solid colors are available upon request.
- Longboard woodgrains have a repeat pattern, shipped in sets mated back-to-back in each box. Install these as they come out of the box, as an A&B pattern staggering each plank approx. 1-2' (305-610mm) from the previous plank to achieve a random pattern aesthetic. It is recommended to create an onsite mock-up to produce a suitable pattern.

Longboard extruded products are produced 1" (25mm) oversized, as one end is drilled for the coating process, and both ends have 1/2" (12mm) of masking tape (woodgrains only) which must be cut off for best results.

Expansion & Contraction

Planks & components expand & contract 1/4" (6mm) over 24' (7.3m) in all directions, measured over a 30°C (54°F) temperature range. Due to this range of movement, the following expansion components should be installed parallel and perpendicular every:

Horizontal Install

- 24' (7.3m) max¹ ² Perpendicular to Planks: Traditional U-Reveal Set
Parallel to Planks (at each floor elevation): Compression Joint

Vertical Install

- 24' (7.3m) max² Parallel and/or Perpendicular to Planks: Traditional U-Reveal Set, J-Tracks back-to-back

¹Note: 40' (12.2m) max if using staggered butt-joints.

²Note: Through-wall flashing (where required) at every floor elevation.

Other options (Perpendicular to Planks only)

- 12' (3.7m) -Craftsman U-Reveal Set

When using expansion components, each plank must terminate into a minimum of one (1) component to allow for expansion & contraction.

See: Appendix for tables of expansion/contraction calculations per foot/meter of material.

Material Ordering & Delivery

- Packaging: Planks are sold in box quantities:
6" Smooth: 96 SQ FT/Box (8/24's) w. 90pcs Quick-Screen Clips included
Components are sold individually by the 12' (3.7m) length.
- Shipping: Most Popular Finishes -ready to ship within 1 week
Additional Finishes -ready to ship within 14 weeks
Delivered on 24' (7.3m) long skids weighing up to 2000 lbs. A mechanical lift with forks is required on site to receive the order.
- QC: Always inspect the delivery for damage and contact LB ASAP if there are any issues: info@longboardproducts.com or 1-800-604-0343 and include your PO# and any pictures if possible. Mark the delivery receipt as "damaged" and accept the delivery as-is. Longboard is not responsible for the installation of blemished or damaged material.

Storage & Handling

Be sure to store the material flat, keep it dry, safe & secure and remain in unopened cartons until ready to be installed. **See Appendix for proper handling and care instructions.**

Cleaning Recommendations

- Initial and periodic cleaning for best looking product
- Basic methods use a combination of moderate water pressure, soft sponge/brush and a mild detergent (Safe for your hands, safe for the product)

⚠ NEVER use aggressive acid or alkaline cleaners on Longboard finishes. Do not use cleaners containing Trisodium Phosphate, Phosphoric Acid, Hydrochloric Acid, Hydrofluoric Acid, Fluorides, or any other compound that is known to react with metal.


***See Cleaning Guide for full requirements & cleaning schedule:**
longboardproducts/resources/care-maintenance.com

Warranty

Upon substantial completion of the project, register for warranty online here: longboardproducts.com/warranty

⚠ Registration is required for the warranty to be in effect.


Graffiti Removal


Standard Woodgrain 

Use Standard soap & water only

D2000 Solid Color

	Prosoco Cleaner	MEK Solvent
Permanent Marker	<input checked="" type="checkbox"/>	<input checked="" type="checkbox"/>
Oil Based Spray Paint	<input checked="" type="checkbox"/>	<input checked="" type="checkbox"/>
Water Based Spray Paint	<input checked="" type="checkbox"/>	<input checked="" type="checkbox"/>
Adhesive Tape	<input checked="" type="checkbox"/>	<input checked="" type="checkbox"/>

MEK Solvent 

Prosoco Anti-Graffiti Cleaner 

SPECIAL ORDER - EXT. LEAD TIMES CONTACT LB

Anti-Graffiti High Gloss Woodgrain

	MEK Solvent
Permanent Marker	<input checked="" type="checkbox"/>
Oil Based Spray Paint	<input checked="" type="checkbox"/>
Water Based Spray Paint	<input checked="" type="checkbox"/>
Adhesive Tape	<input checked="" type="checkbox"/>








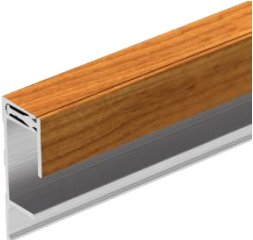
MEK Solvent 

Note: Cleaning the surface with a cleanser that is not diluted as per instructions, may result in damage to the coating.

Components

Components (Typical)


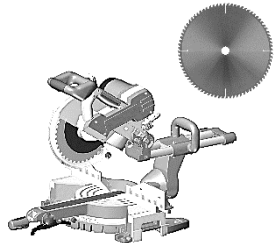

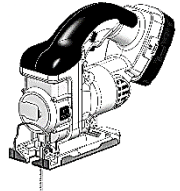

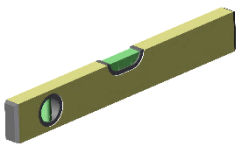


The Panelboard™ system consists of many components used in conjunction with each other to create a panelized look. For all LB components go to longboardproducts.com.

 <p>6" Smooth Plank 6PSP.289</p>	 <p>J- Track 1JT.145</p>	 <p>Corner Set 2CORS.145</p>	 <p>Starter J-Track 1SJT.145</p>
 <p>Two Piece J-Track 1X1JT.145</p>	 <p>T&G U-Reveal 2TGURK.289</p>	 <p>U-Reveal Set 2URS.145</p>	 <p>Termination Set 1TS.145</p>

Tools/Cutting/Fastening

Tools

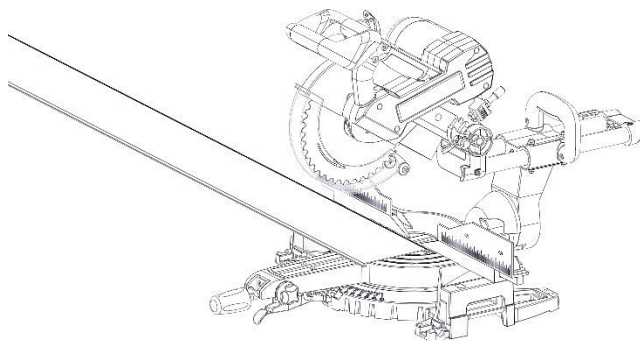
Commonly used tools for Panelboard install.

			
Table Saw with Carbide Metal Blade Non-ferrous 60-80T (for cutting aluminum)	Miter Saw with Carbide Metal Blade Non-ferrous 60-80T (for cutting aluminum)	Cordless Drill with clutch	Jig Saw (for protrusions)
			
Rubber Mallet (or Hammer)	Level	Hole Saw (for lighting fixtures)	#8 Pan Head Screws <small>*Length, thread and point to suit substrate</small>

Cutting

⚠ Always be sure to wear appropriate PPE: eye & hearing protection.

Cut planks using a Miter Saw and Table Saw, always allowing for expansion & contraction. Trim the taped/drilled ends of all stock length material by at least **1/2" (12mm) each end** and discard.



Fastening

Fasteners must be corrosion resistant and comply with all local building codes.

⚠️ All fasteners should be suitable for exterior use and be compatible with the substrate type. **Fasteners should be anchored into a solid secure framing member, blocking, furring or strapping. For vertical applications when the framing member is not available, install diagonal furring strips or horizontal metal strapping to securely fasten planks.**

Perimeter components should be hard fastened every **16" (406mm) O.C.** directly through the flange using #8 pan-head screws (supplied by others). These components should be fastened within **8" (203mm)** of the end for secure fastening.

Planks & starter components are secured using Longboard **Quick-Screen Clips** fastened to the substrate using #8 pan-head screws (supplied by others).

- Typically, every **32" (813mm) O.C.**

⚠️ Always consult the project engineer, architect or authority having jurisdiction to understand the project specific fastening requirements.

See **Appendix for fastener specs:**
Quick Screen Clip - Wind Load Tables 3 & 4

Fastener types

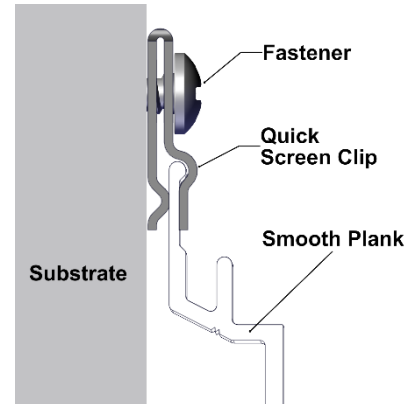
RECOMMENDED

Pan-Head



*Length, thread and point to suit substrate

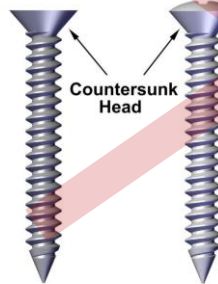
CORRECT



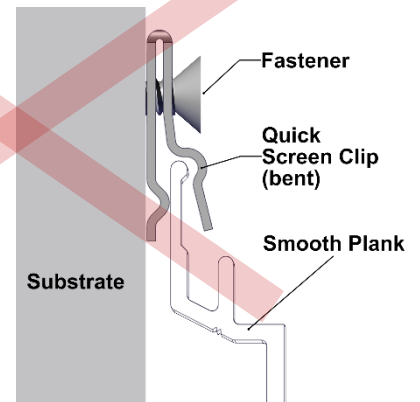
DO NOT USE

Flat-Head

Oval-Head

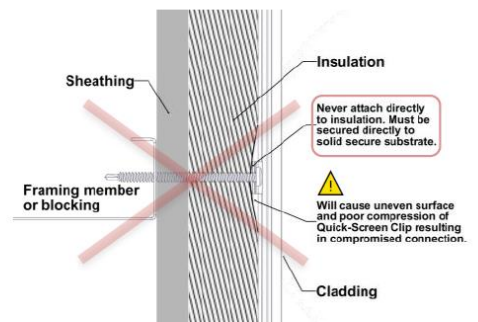
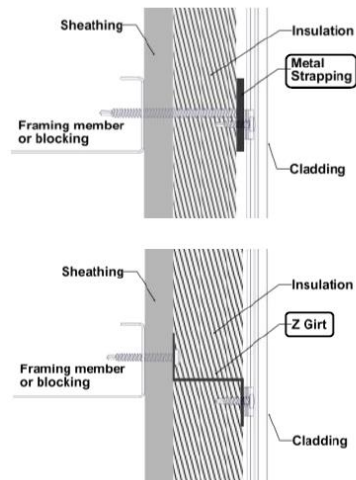
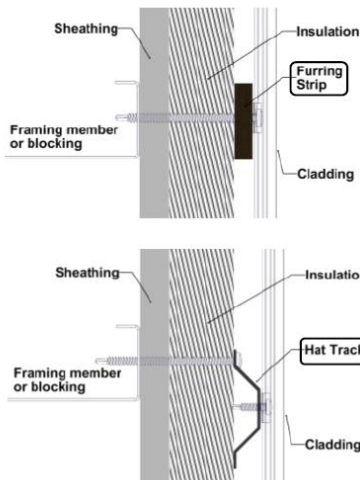


INCORRECT



Fastening options onto exterior insulation

*Never direct to insulation. Must be secured directly to solid secure substrate.



Framing requirements

Always consult the local building authority and follow local building code requirements.

When attaching to **Hitch Cladding attachment System** refer to Hitch Install Guide for requirements.

Wood Framing

- Size: 2x4 minimum
- Spacing: see Appendix Table 3 & 4 for reference

Metal Framing

- Gauge: 20 ga. minimum (see Appendix Table 3 & 4 for reference)
- Spacing: see Appendix Table 3 & 4 for reference

Furring recommendations

Wood Furring

Attached back to wood or metal framing/blocking.

- Size: 3/8" minimum
- Spacing: See Appendix Table 3 & 4 for reference

Metal Furring/Strapping

Attached back to wood or metal framing/blocking.

- Size: 20 ga. minimum
- Spacing: See Appendix Table 3 & 4 for reference

Concrete/CMU

Wood or metal furring is recommended over concrete and CMU.

Wood Furring:

- Size: 2x2 minimum
- Type: Pressure treated lumber
- Spacing: See Appendix Table 3 & 4 for reference

Metal Furring:

- Size: 20 ga. minimum (See Appendix Table 3 & 4 for reference)
- Type: Hat channel, Stud, or Z-Girt.
- Spacing: See Appendix Table 3 & 4 for reference

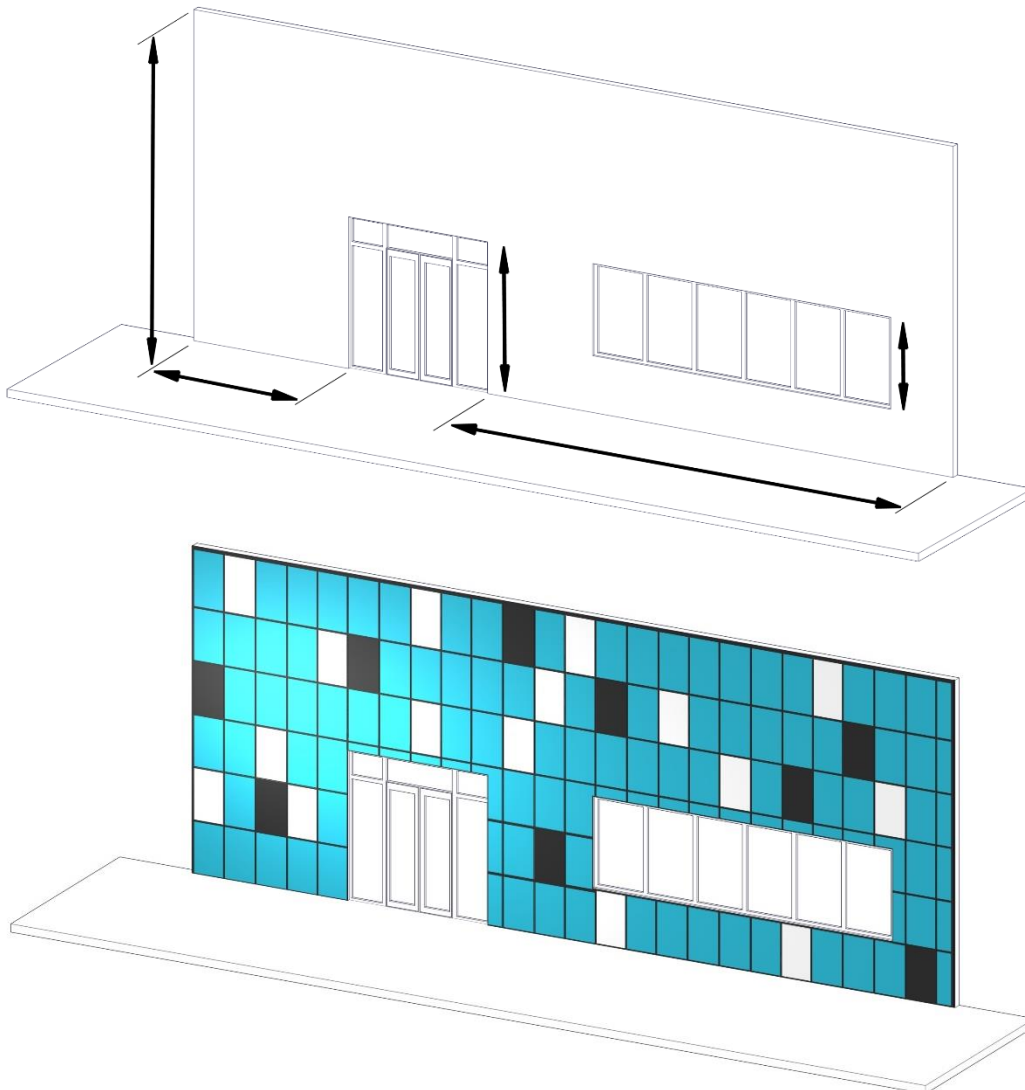
System Install

Perimeter and field area limitations

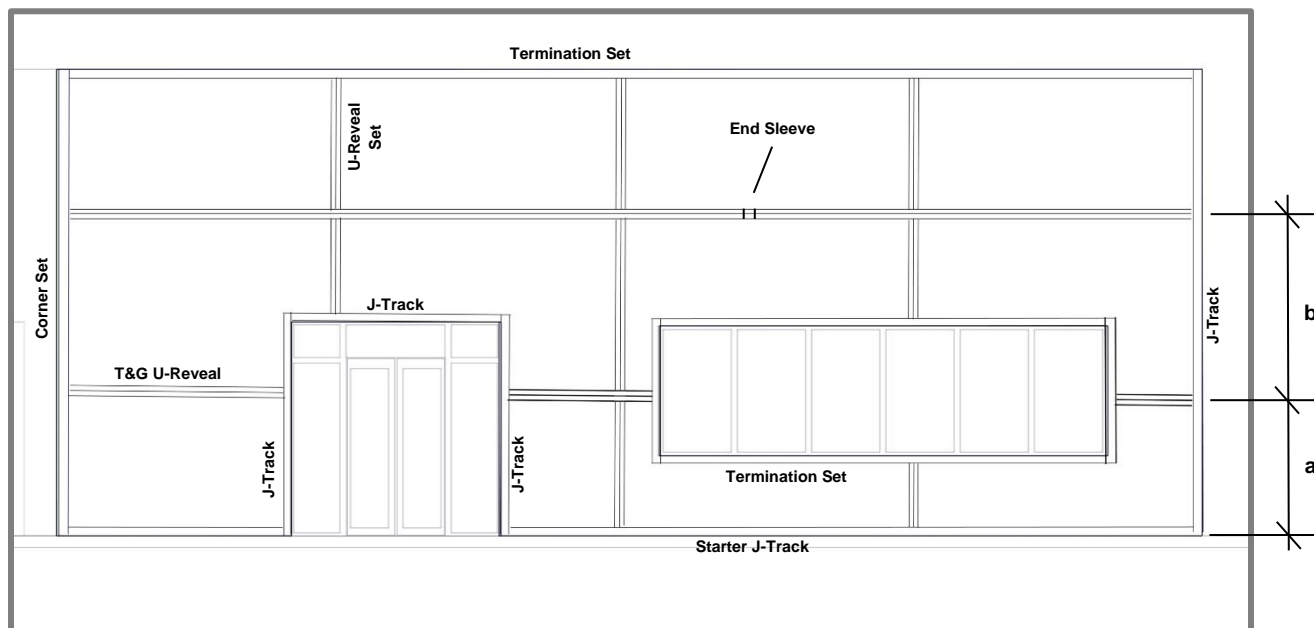
Measure and layout your wall area to consider plank & component alignment with fixtures, penetrations, and adjacent walls, for desired appearance. Consider using butt-joints along runs to minimize waste. Apply the same methodology for horizontal planks and vertical planks.

- Longboard system typical dimensions:

Planks width	- 6" (152mm)
Planks depth	- 1/2" (12mm)
Planks and Quick-Screen Clips depth	- 9/16" (14mm)
Trim Components depth	- 5/8" (15mm)



Component layout



Measurement considerations:

1 1/2" (38mm) T&G U-Reveal (up to 24' length panels)

- (a) Start to Panel - Measuring from outer edge of the Starter J-Track to the center of the 1 1/2" U-Reveal, add 5/8" (16mm) to the dimension of the Plank area. = $6"(X) + 5/8"$ to ϕ
- (b) Panel to Panel - Measuring from center to center of the 1 1/2" U-Reveal, add 1" (25mm) to the dimension of the Plank area. = $6"(X) + 1"$ to ϕ

3/4" (19mm) T&G U-Reveal (up to 12' length panels)

- (a) Start to Panel - Measuring from outer edge of the Starter J-Track to the center of the 3/4" U-Reveal, add 1/4" (6mm) to the dimension of the Plank area. = $6"(X) + 1/4"$ to ϕ
- (b) Panel to Panel - Measuring from center to center of the 3/4" U-Reveal, add 3/8" (10mm) to the dimension of the Plank area. = $6"(X) + 3/8"$ to ϕ

COMPONENTS -12' Stock lengths unless otherwise noted

Corner Set 2", Outside Corner 1", Inside Corner 3/4"

Location: Inside & outside corners of the installation area.
 Details: Corner Set 2" recommended for vertical cladding installs.

J-Track 5/8", Two Piece J-Track (5/8, 7/8", 1 3/8")

Location: Perpendicular to Planks (eg: sides of windows and doors), along gable end walls, other angled conditions, window/door headers and other penetrations.
 Details: Notch the flange at the ends where they meet corner components.

Starter J-Track 5/8", Starter Strip

Location: Where starting with a full width Plank, typically along the bottom of the installation for horizontal Planks.
 Details: Alternatively, Starter Strip can be used back-to-back for vertical installs at the center of each cladding area for equal width ends.

U-Reveal Set (3/4", 1 1/2")

Location: Perpendicular to Planks, used to set panelized widths.

Details: Two-piece component (cap & base).

T&G U-Reveal (3/4", 1 1/2")

Location: Parallel to Planks, used to set panelized widths.

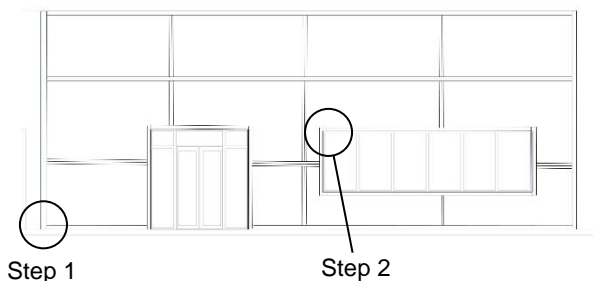
Details: Single-piece component, use End Sleeve (included) every 24' max. (24' Stock lengths)

Termination Set (5/8", 7/8", 1 3/8")

Location: Parallel to Planks along top of the installation area, underside of windows (horizontal cladding only), sides of windows/doors (vertical cladding only) and other penetrations.

Details: Install base only to start and cap after planks are installed.

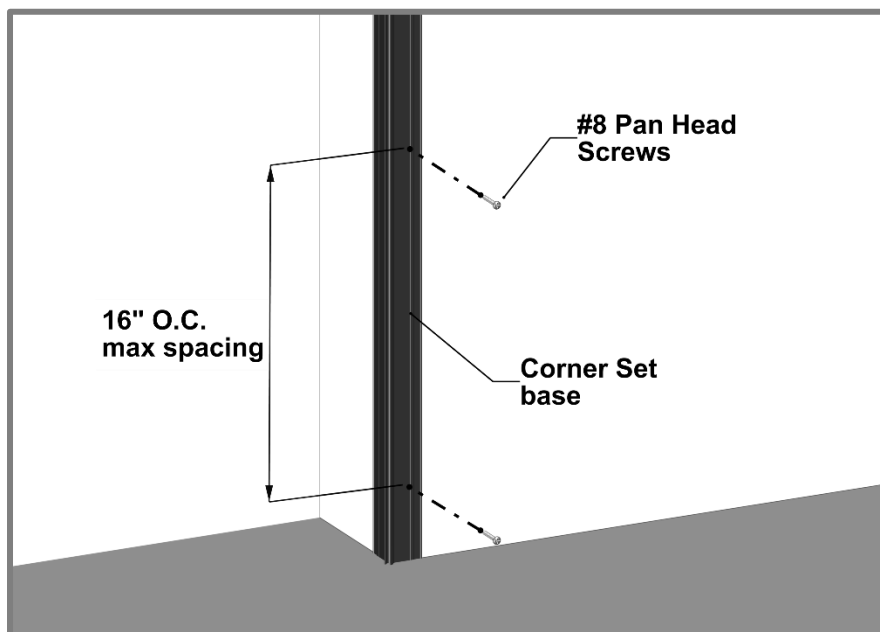
Install steps



Step 1 - Corners

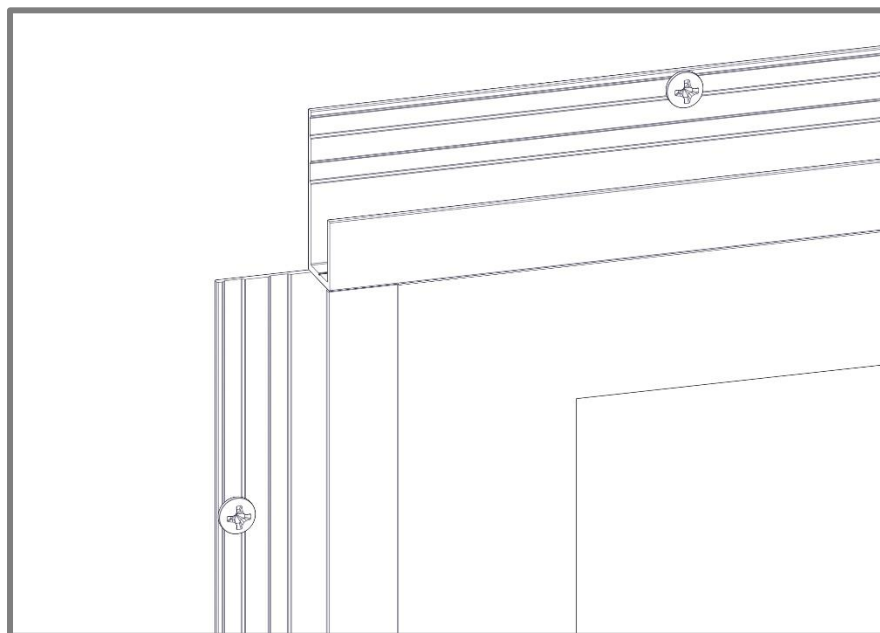
Install inside and outside corner bases, fastening every 16" O.C. with #8 Pan Head Screws. Corners typically extend from top to bottom of the area of application.

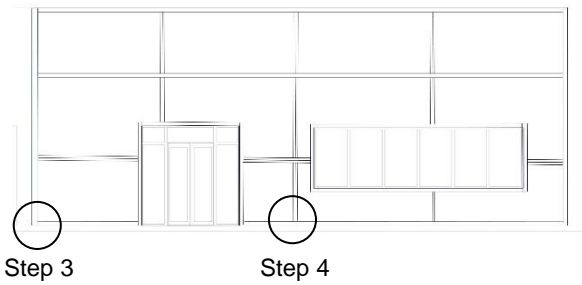
⚠ Check that components are level or plumb and flat or straight, for best results.



Step 2 - J-Track

Install J-Track or Two-Piece J-Track around windows and doors, fastening every 16" O.C. with #8 Pan Head Screws. Trims can be mitered for a clean corner look.

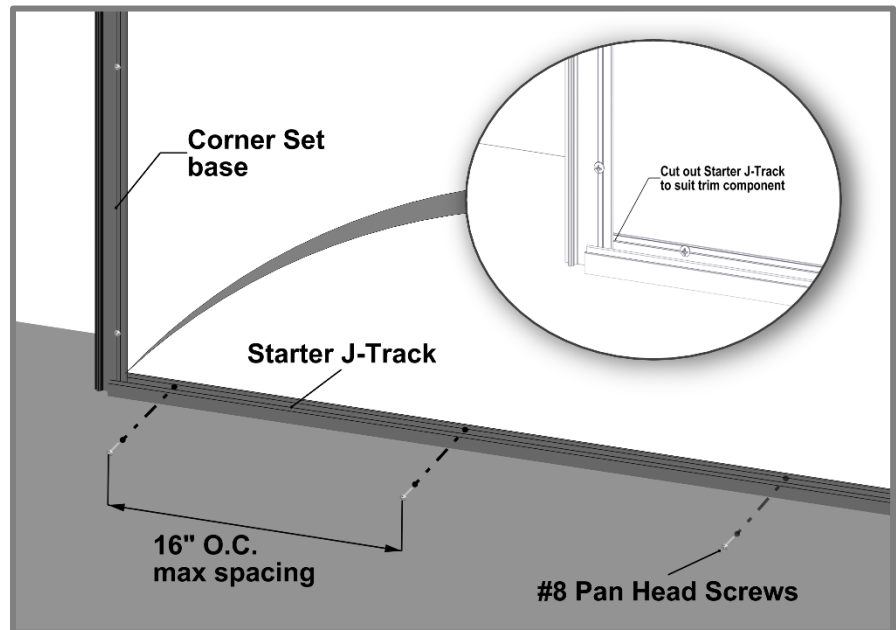




Step 3 - Starter J-Track

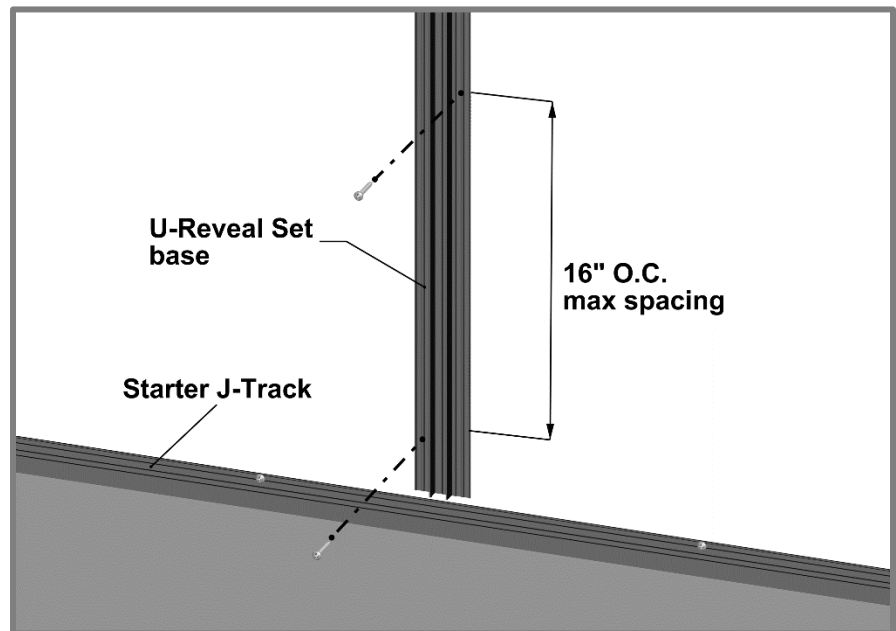
Install Starter J-Track or Starter Strip along the bottom of the wall(s), fastening every 16" O.C. with #8 Pan Head Screws. Notch the Starter J-Track to suit the trim component.

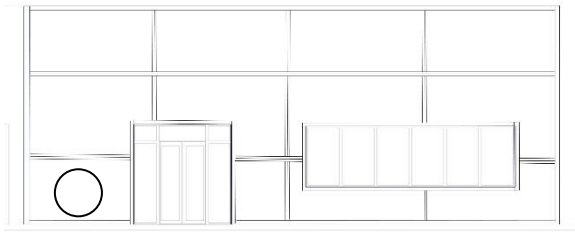
⚠ Use J-Track and Back-to-Back Starter for vertical plank installations. (Not Shown)



Step 4 - U-Reveal

Install U-Reveal Set (base only) at the desired panelized length, fastening every 16" O.C. with #8 Pan Head Screws.





Step 5

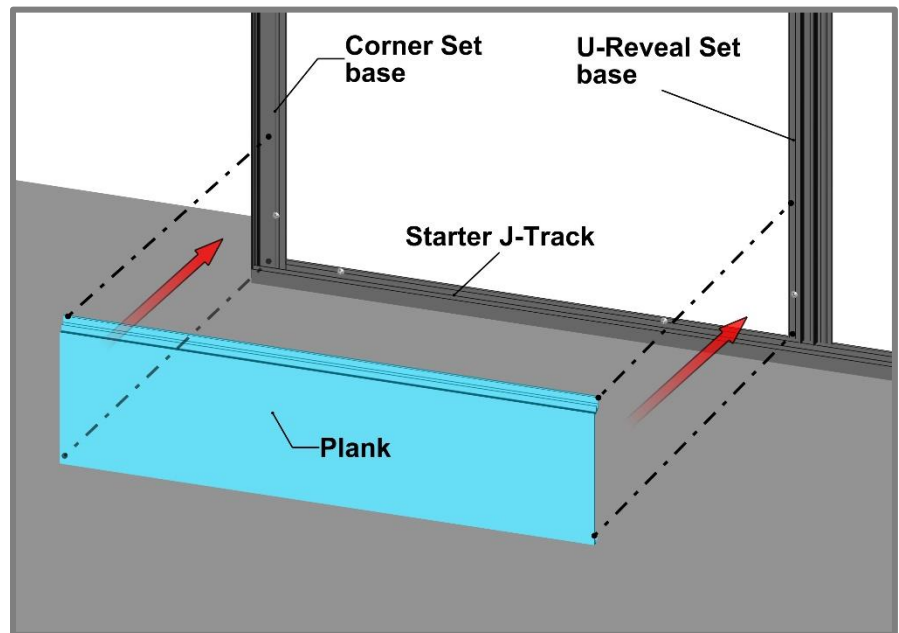


PLANK PREPARATION DURING INSTALL

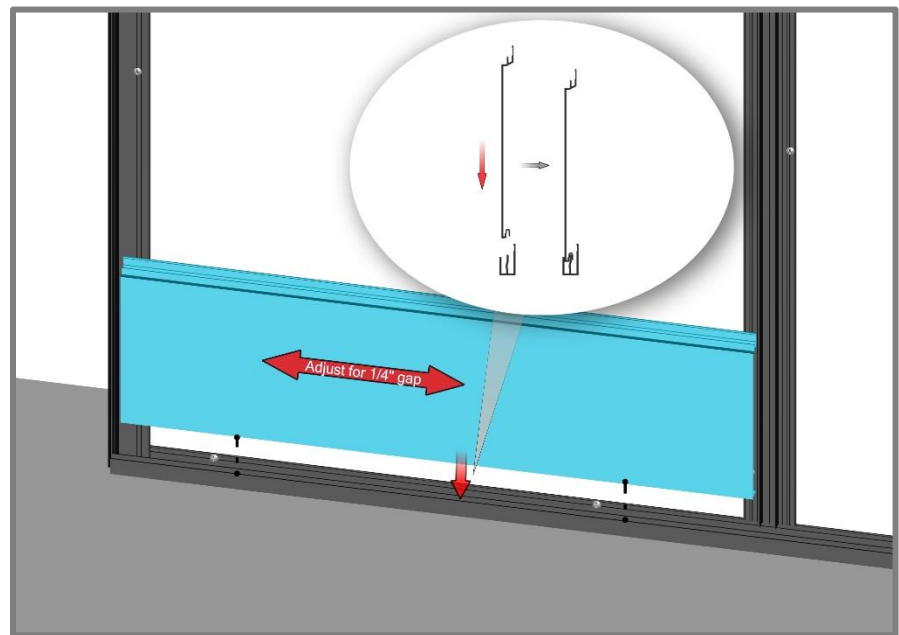
1. **No** Taped/Drilled ends (cut off 1/2" each end).
2. **No** Damage/dents and correct plank sequence per project.
3. **Confirm** allowance for expansion/contraction & confirm trim/caps cover.
4. **Confirm** level substrate, shims might be required for a flat /straight plank install.

Step 5 - Planks

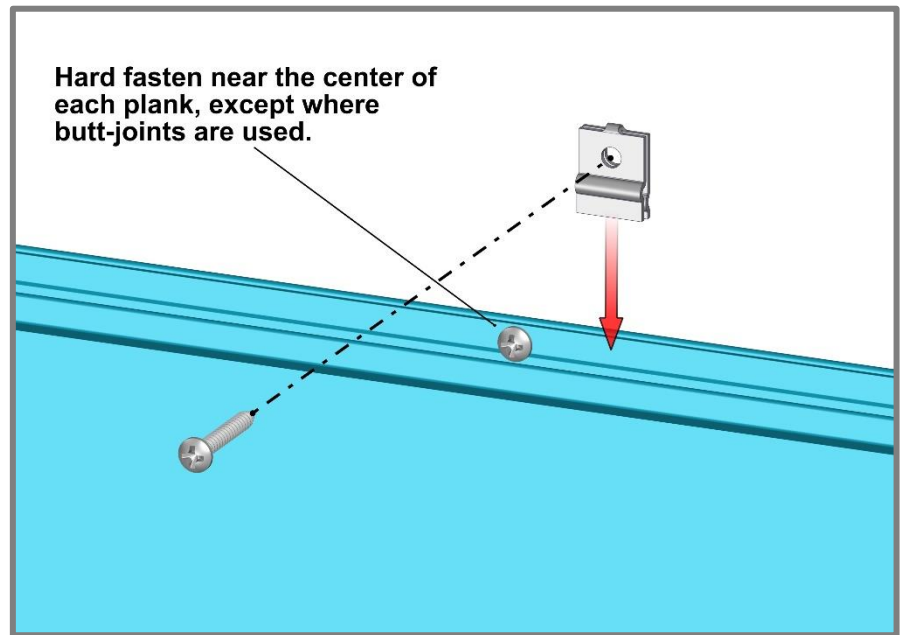
Place the planks into the groove of the Starter J-Track, engaging the tongue. It is good practice to check your installation every 2-3 rows for level or plumb and flat or straight, for best results.



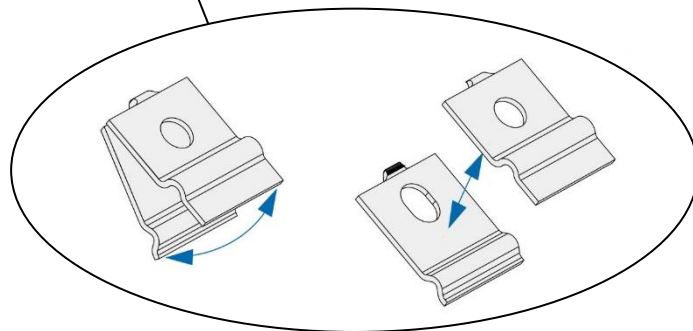
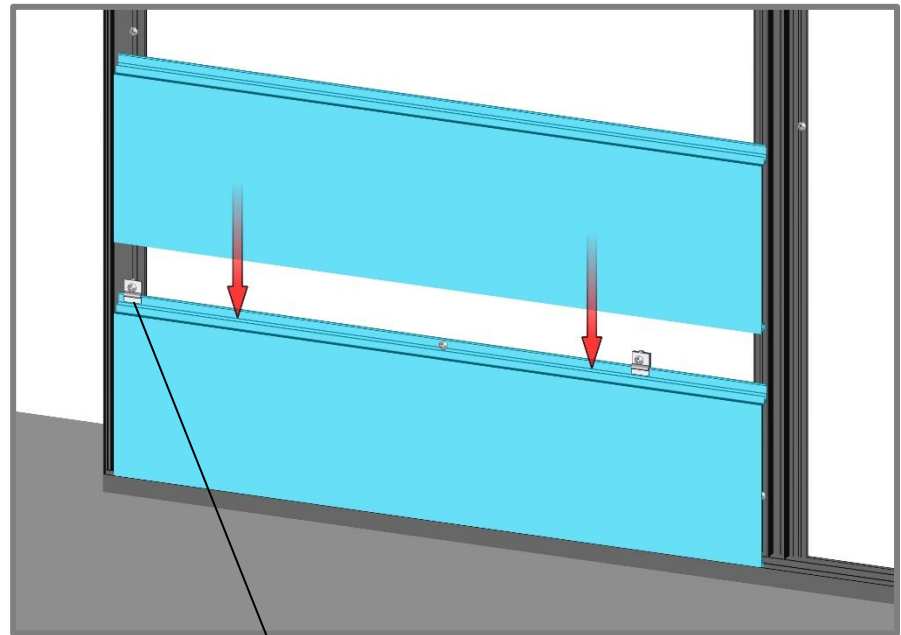
Ensure there is sufficient room for expansion and contraction of each Plank, also confirming component caps will cover.

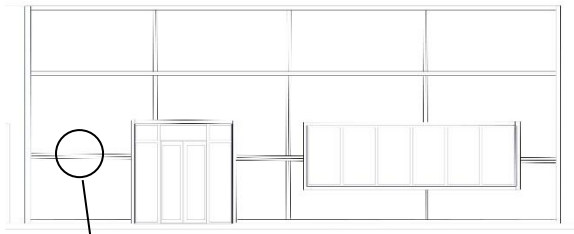


Install Quick Screen Clips every 32" (813mm) O.C. max spacing. Hard fasten only one point near the center of each plank or fasten at the butt-joints where butt-joints are used. Shim Quick-Screen Clips where needed to correct any substrate inconsistencies.



Where anchoring the planks securely can only be achieved over component flanges; split the Quick Screen Clip and use one piece on the front. This will maintain each Planks ability to expand and contract.





Step 6

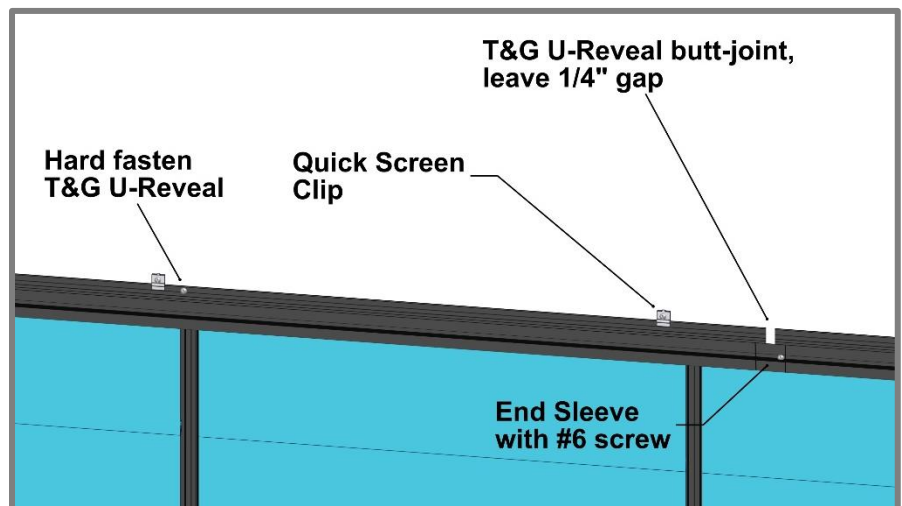
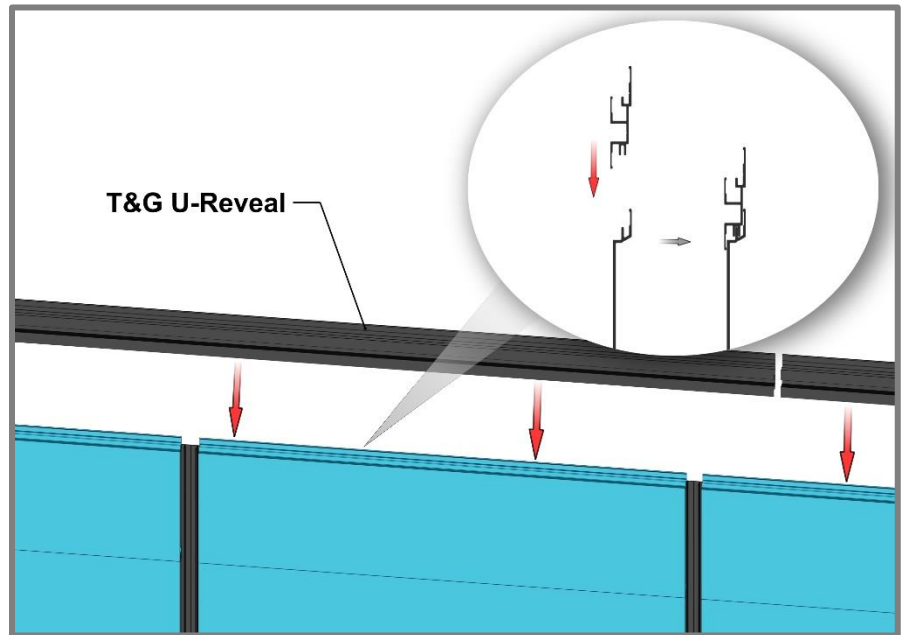
Step 6 - T&G U-Reveal

Install T&G U-Reveal at the Panelized width locking it into the tongue of the Planks.

⚠ Do Not use fasteners or Quick-Screen Clips on Planks which engage with the groove side of the T&G U-Reveal.

Fasten T&G U-Reveal with Quick Screen Clips and fasteners every 32" O.C. Hard fasten near the center of each T&G U-Reveal length. Where using multiple lengths of T&G U-Reveal, leave a 1/4" gap between butt-joints for thermal movement.

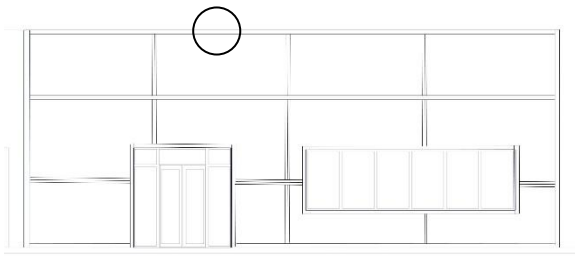
- Where using the Craftsman T&G U-Reveal (3/4"), install the included Craftsman End Sleeve to cover the 1/4" butt-joints. Use a small amount of structural silicone on a single side of the End Sleeve, leaving the opposite side dry and free to expand and contract.
- Where using the Traditional T&G U-Reveal (1-1/2"), install the included Traditional End Sleeve to cover the opposite side, free to expand and contract.



Step 7 – Next sections

Repeat install steps 4-6. Install Compression Joints at floor elevations or anywhere else required by local building authority.

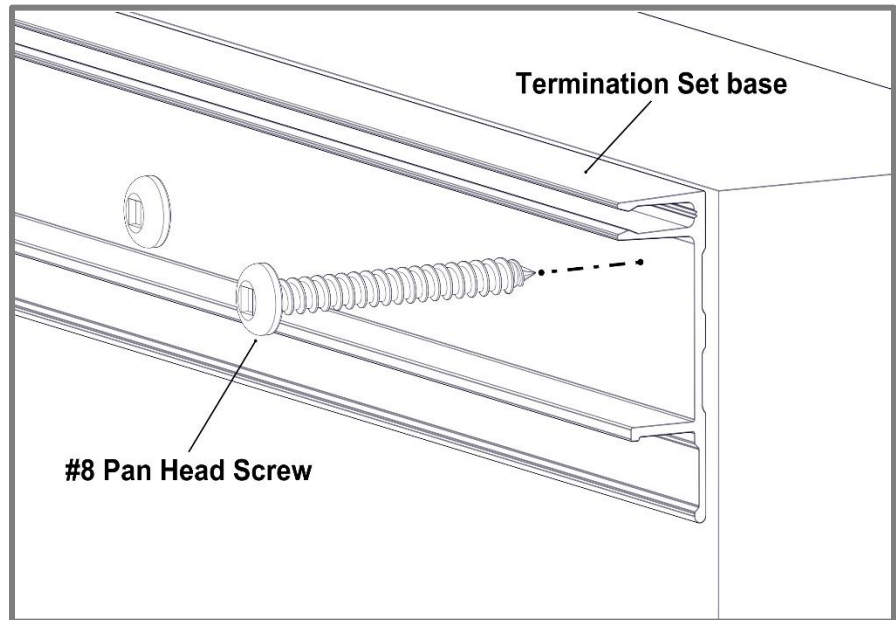
Step 8,9



Step 8 – Termination Set

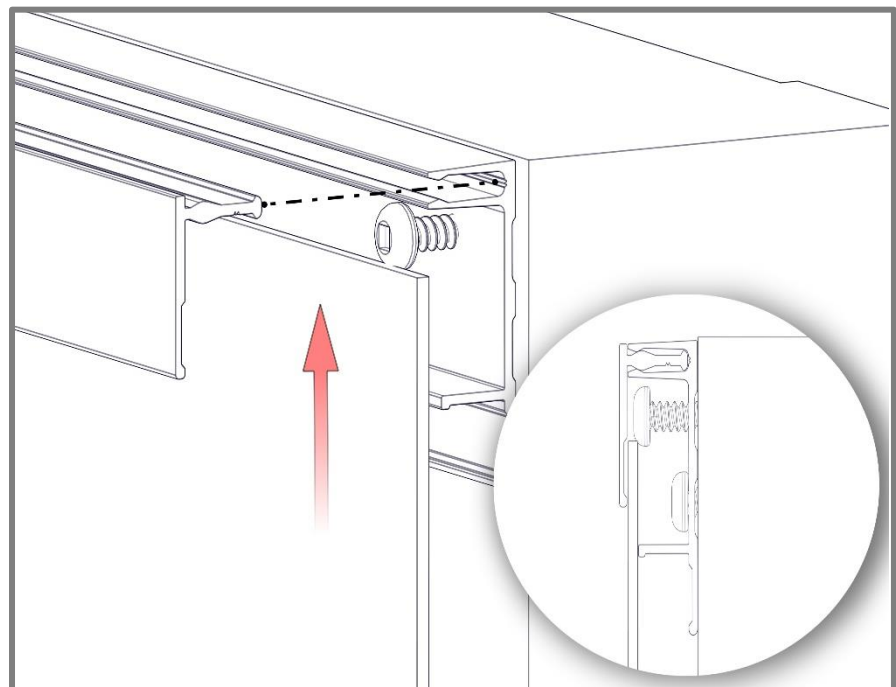
Install Termination Set (base only), fastening every 16" O.C.

Where terminating cut planks, provide a positive stop approximately every 16" (406mm).



Step 9 – Last Row of Planks

Rip the last Plank, cutting it to width to suit the installation area(s). Install edge plank with a 1/4" gap and screw to lock the plank into place.

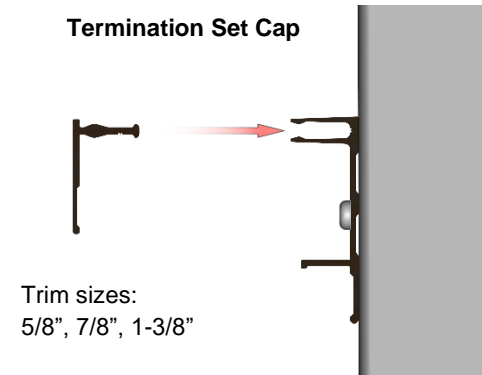
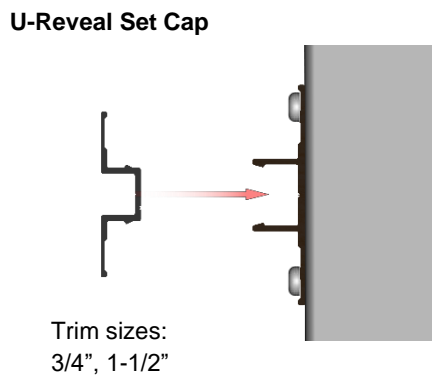
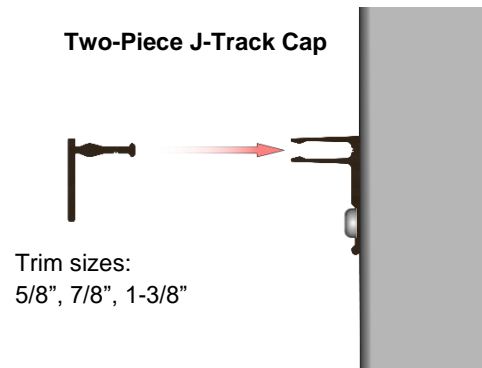
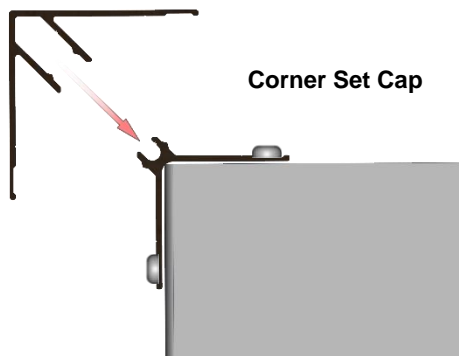


Step 10 - Once planks are installed, finish off the perimeter trims with caps from two-piece sets.

Component Caps

Location: Installed onto the base of the two-piece sets.

Details: If required, use a rubber mallet or hammer and block to protect the finish during this process.

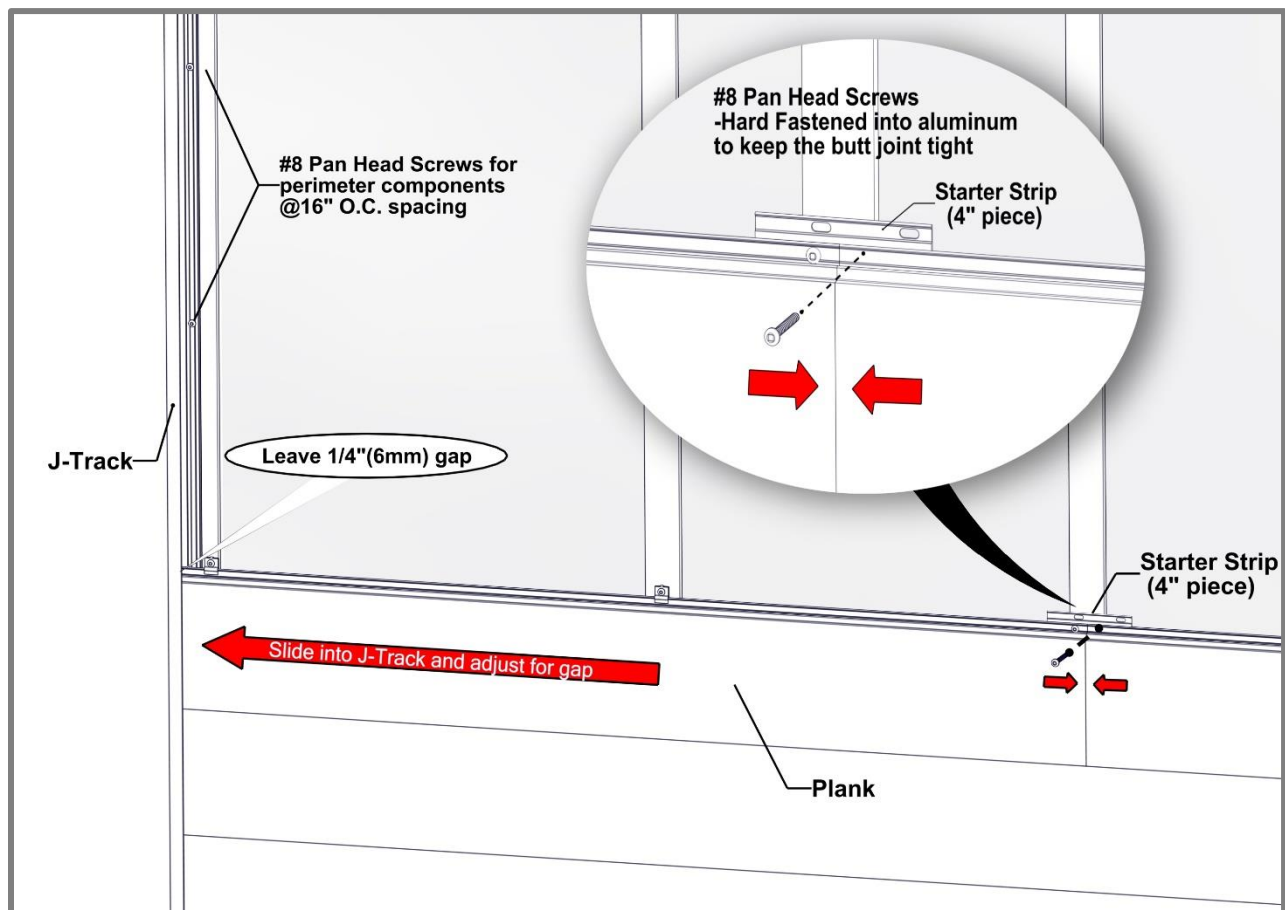


Details

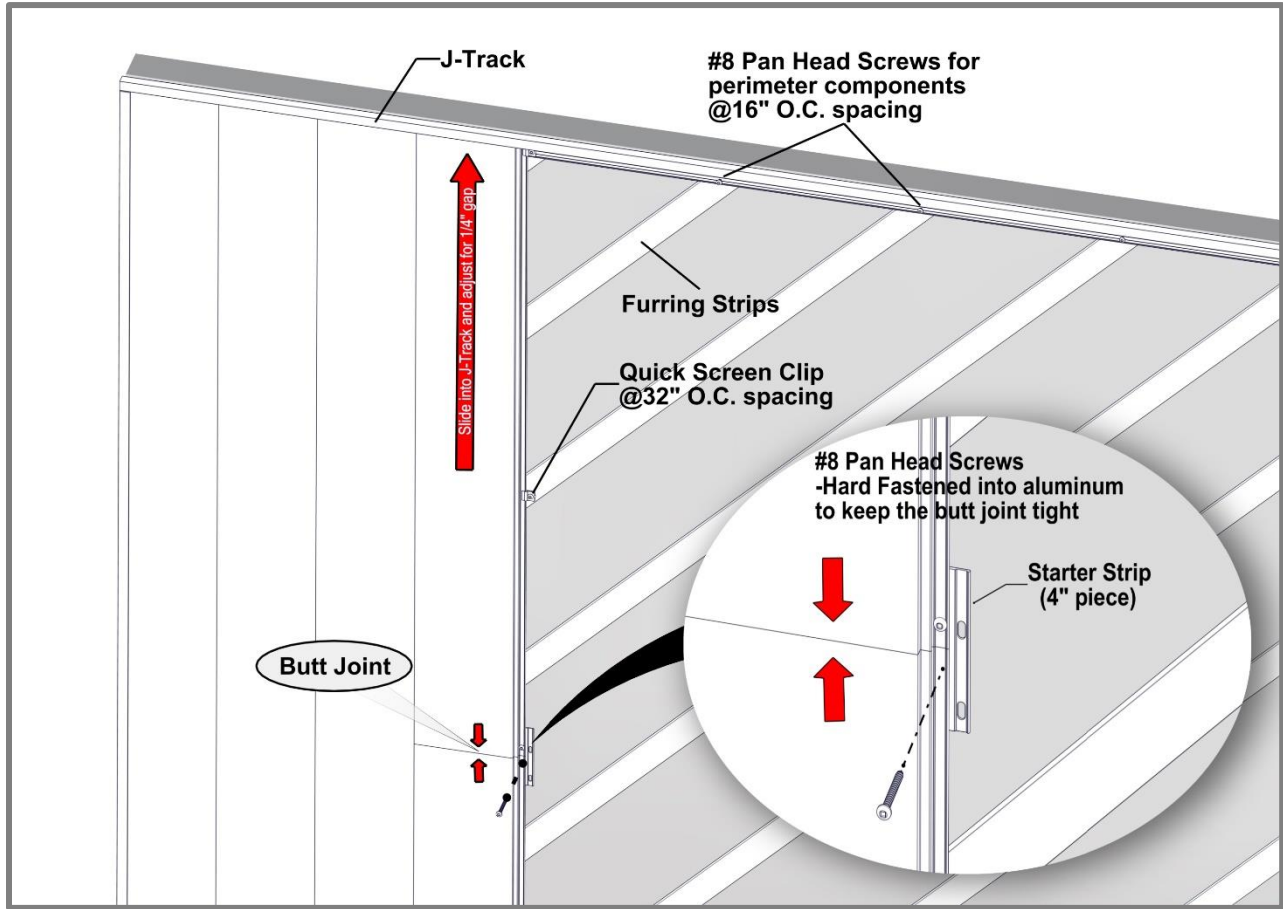
Butt-Joints

- Consider using butt-joints along runs to minimize waste.
- **⚠** When installing staggered butt-joints, hard-fasten the two planks at the butt-joint to ensure joints do not open up (**See Detail A & B**). Fasteners should be placed at the uppermost location of the plank flange, to not interfere with the next plank engaging the tongue and groove properly. At the butt-joint, fasteners should be anchored into a 4" length of Strater Strip.
- On exposed cuts such as butt-joints, trim ends or similar, use touch-up paint pens (purchased separately) to finish the ends of the two (2) planks at the butt- joint.
- DO NOT install more than one (1) butt-joint between two components.
- DO NOT hard-fasten a plank to a component trim, as this will restrict its ability to expand & contract into the component.
- If no butt joints along the length, it is good practice to hard-fasten each plank directly through the flange near the center, to keep the planks from migrating.
- DO NOT hard-fasten more than one (1) location per plank.
- Hard fasten only:

Situation	Location
No butt-joints:	-Near the center of planks
Butt-joints:	-At the joints



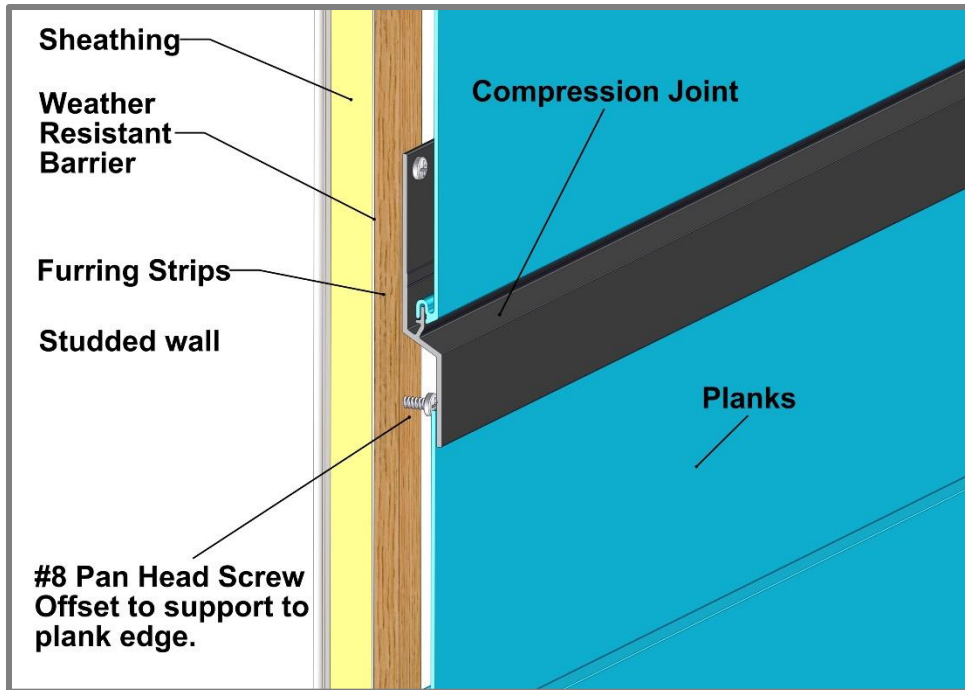
Detail A



Detail B

Floor elevation

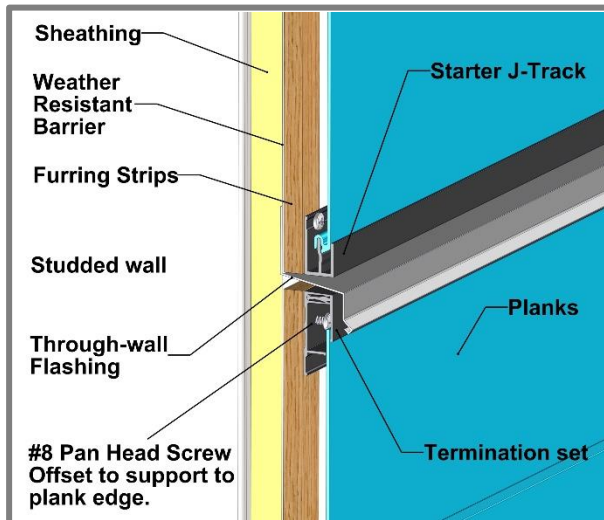
Compression Joint



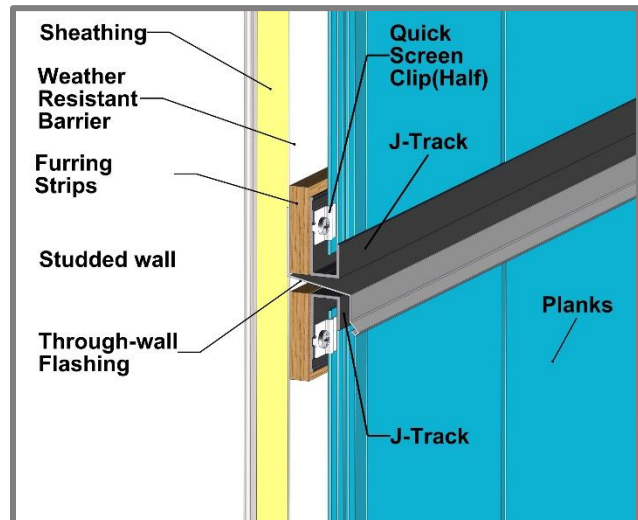
Floor elevation

Type: Compression Joint, Termination set/Starter J-Track, J-Track back-to-back.
 Location: Typically, at every floor elevation and where through-wall flashing is required.
 Details: Note the orientation of planks for through-wall flashing install.

Through-wall Flashing



Horizontal Install



Vertical Install

Appendix

Expansion and Contraction Tables

TABLE 1 - IMPERIAL

		AVERAGE TEMPERATURE AT TIME OF CUTTING & INSTALLATION											
°C		-50	-40	-30	-20	-10	0	10	20	30	40	50	
°F		-58	-40	-22	-4	14	32	50	68	86	104	122	
MIN/MAX POST CONSTRUCTION TEMP.	°C	°F	EXPANSION OR CONTRACTION (INCH/FOOT)										
	-50	-58	0.000	-0.003	-0.005	-0.008	-0.011	-0.014	-0.016	-0.019	-0.022	-0.024	-0.027
	-40	-40	0.003	0.000	-0.003	-0.005	-0.008	-0.011	-0.014	-0.016	-0.019	-0.022	-0.024
	-30	-22	0.005	0.003	0.000	-0.003	-0.005	-0.008	-0.011	-0.014	-0.016	-0.019	-0.022
	-20	-4	0.008	0.005	0.003	0.000	-0.003	-0.005	-0.008	-0.011	-0.014	-0.016	-0.019
	-10	14	0.011	0.008	0.005	0.003	0.000	-0.003	-0.005	-0.008	-0.011	-0.014	-0.016
	0	32	0.014	0.011	0.008	0.005	0.003	0.000	-0.003	-0.005	-0.008	-0.011	-0.014
	10	50	0.016	0.014	0.011	0.008	0.005	0.003	0.000	-0.003	-0.005	-0.008	-0.011
	20	68	0.019	0.016	0.014	0.011	0.008	0.005	0.003	0.000	-0.003	-0.005	-0.008
	30	86	0.022	0.019	0.016	0.014	0.011	0.008	0.005	0.003	0.000	-0.003	-0.005
	40	104	0.024	0.022	0.019	0.016	0.014	0.011	0.008	0.005	0.003	0.000	-0.003
	50	122	0.027	0.024	0.022	0.019	0.016	0.014	0.011	0.008	0.005	0.003	0.000

TABLE 2 - METRIC

		AVERAGE TEMPERATURE AT TIME OF CUTTING & INSTALLATION											
°C		-50	-40	-30	-20	-10	0	10	20	30	40	50	
°F		-58	-40	-22	-4	14	32	50	68	86	104	122	
MIN/MAX POST CONSTRUCTION TEMP.	°C	°F	EXPANSION OR CONTRACTION (MM/METER)										
	-50	-58	0.000	-0.230	-0.460	-0.690	-0.920	-1.150	-1.380	-1.610	-1.840	-2.070	-2.300
	-40	-40	0.230	0.000	-0.230	-0.460	-0.690	-0.920	-1.150	-1.380	-1.610	-1.840	-2.070
	-30	-22	0.460	0.230	0.000	-0.230	-0.460	-0.690	-0.920	-1.150	-1.380	-1.610	-1.840
	-20	-4	0.690	0.460	0.230	0.000	-0.230	-0.460	-0.690	-0.920	-1.150	-1.380	-1.610
	-10	14	0.920	0.690	0.460	0.230	0.000	-0.230	-0.460	-0.690	-0.920	-1.150	-1.380
	0	32	1.150	0.920	0.690	0.460	0.230	0.000	-0.230	-0.460	-0.690	-0.920	-1.150
	10	50	1.380	1.150	0.920	0.690	0.460	0.230	0.000	-0.230	-0.460	-0.690	-0.920
	20	68	1.610	1.380	1.150	0.920	0.690	0.460	0.230	0.000	-0.230	-0.460	-0.690
	30	86	1.840	1.610	1.380	1.150	0.920	0.690	0.460	0.230	0.000	-0.230	-0.460
	40	104	2.070	1.840	1.610	1.380	1.150	0.920	0.690	0.460	0.230	0.000	-0.230
	50	122	2.300	2.070	1.840	1.610	1.380	1.150	0.920	0.690	0.460	0.230	0.000

TABLE 3

4" PLANKS		PSF (Factored / Ultimate)											
		20	30	40	50	60	70	80	90	100	110	121	
QUICK-SCREEN CLIP SPACING (IN) 1, 2, 3	16"	Wood	✓	✓	✓	✓	✓	✓	✓	✓	✓	✓	✓
		16ga	✓	✓	✓	✓	✓	✓	✓	✓	✓	✓	✓
		18ga	✓	✓	✓	✓	✓	✓	✓	✓	✓	✓	✓
		20ga	✓	✓	✓	✓	✓	✓	✓	✓	✓	✓	✓
	24"	Wood	✓	✓	✓	✓	✓	✓	✓	✓	✓	✓	✓
		16ga	✓	✓	✓	✓	✓	✓	✓	✓	✓	✓	✓
		18ga	✓	✓	✓	✓	✓	✓	✓	✓	✓	✓	✓
		20ga	✓	✓	✓	✓	✓	✓	✓	✓	✓	✓	✓
	32"	Wood	✓	✓	✓	✓	✓	✓	✓	✓	✓	✓	✓
		16ga	✓	✓	✓	✓	✓	✓	✓	✓	✓	✓	✓
		18ga	✓	✓	✓	✓	✓	✓	✓	✓	✓	✓	✓
		20ga	✓	✓	✓	✓	✓	✓	✓	✓	✓	✓	✓

All testing has been performed using L/180 deflection limits

Substrate Types: Sheathed Wood-Frame Wall w/2.0 in. Ig. #8 Pan-head wood screws
 Sheathed 16ga, 50ksi Steel Stud Wall w/#8 Pan-Head Self-Drilling Screws
 Sheathed 18ga, 33ksi Steel Stud Wall w/#8 Pan-Head Self-Drilling Screws
 Sheathed 20ga, 33ksi Steel Stud Wall w/#8 Pan-Head Self-Drilling Screws

1_Spacing is from clip center to center
 2_An unfactored dead load of 1.5 psf was assumed for the cladding
 3_If fastening to every second stud, the attachment stud shall be staggered between adjacent runs of cladding

TABLE 4

6" PLANKS		PSF (Factored / Ultimate)											
		20	30	40	50	60	70	80	90	100	110	121	
QUICK-SCREEN CLIP SPACING (IN) 1, 2, 3	16"	Wood	✓	✓	✓	✓	✓	✓	✓	✓	✓	✓	✓
		16ga	✓	✓	✓	✓	✓	✓	✓	✓	✓	✓	✓
		18ga	✓	✓	✓	✓	✓	✓	✓	✓	✓	✓	✓
		20ga	✓	✓	✓	✓	✓	✓	✓	✓	✓	✓	✓
	24"	Wood	✓	✓	✓	✓	✓	✓	✓	✓	✓	✓	✓
		16ga	✓	✓	✓	✓	✓	✓	✓	✓	✓	✓	✓
		18ga	✓	✓	✓	✓	✓	✓	✓	✓	✓	✓	✓
		20ga	✓	✓	✓	✓	✓	✓	✓	✓	✓	✓	✓
	32"	Wood	✓	✓	✓	✓	✓	✓	✓	✓	✓	✓	✓
		16ga	✓	✓	✓	✓	✓	✓	✓	✓	✓	✓	✓
		18ga	✓	✓	✓	✓	✓	✓	✓	✓	✓	✓	✓
		20ga	✓	✓	✓	✓	✓	✓	✓	✓	✓	✓	✓

All testing has been performed using L/180 deflection limits

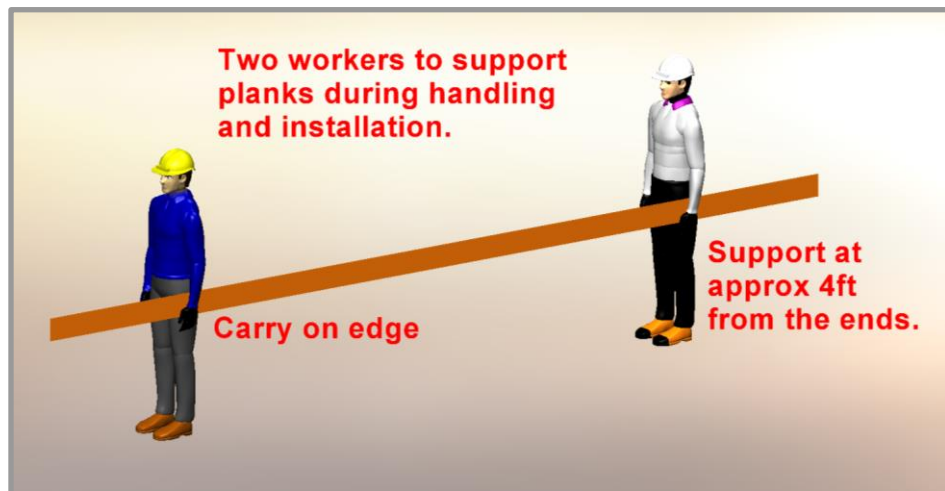
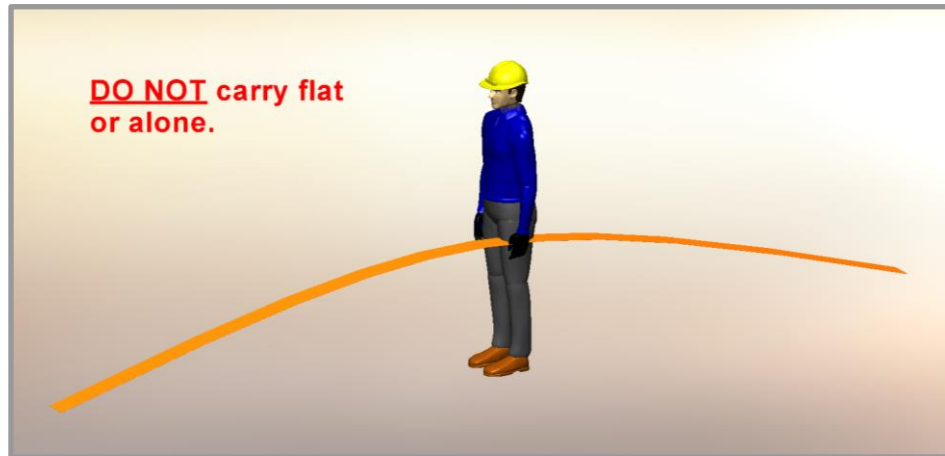
Substrate Types: Sheathed Wood-Frame Wall w/2.0 in. Ig. #8 Pan-head wood screws
 Sheathed 16ga, 50ksi Steel Stud Wall w/#8 Pan-Head Self-Drilling Screws
 Sheathed 18ga, 33ksi Steel Stud Wall w/#8 Pan-Head Self-Drilling Screws
 Sheathed 20ga, 33ksi Steel Stud Wall w/#8 Pan-Head Self-Drilling Screws

1_Spacing is from clip center to center
 2_An unfactored dead load of 1.5 psf was assumed for the cladding
 3_If fastening to every second stud, the attachment stud shall be staggered between adjacent runs of cladding

Proper Handling of Longboard Products



To help avoid injury and product damage, Longboard products require proper handling to and from storage areas during installation. When carrying or installing any products it is recommended that they be moved or carried by at least two people with each support point approximately 4ft from the ends. **Carrying products without proper support can cause excessive bending which may damage the appearance or finish of the product.** Any short cut lengths should also be carried on edge while supporting the material. See below for details.



⚠️ Delivery, Storage & Handling ⚠️

- Always inspect the delivery for damage and contact LB ASAP if there are any issues: info@longboardproducts.com or 1-800-604-0343 and include your PO# and any pictures if possible. Longboard is not responsible for the installation of blemished or damaged material.
- Be sure to store the material flat, keep it dry, safe & secure and remain in unopened cartons until ready to be installed.
- Always wear appropriate PPE when handling products.

BLANK PAGE



Longboard Architectural Products Inc.
© Longboard Architectural Products Inc. All rights reserved.

Longboard® is a registered trademark of Longboard Architectural Products Inc.

Longboard
1777 Clearbrook Road
Abbotsford, BC V2T 8X8
Canada
longboardproducts.com

Every effort has been made to ensure that the information in these installation guidelines is accurate. Longboard is not responsible for printing or clerical errors.

For more information, contact client care at info@longboardproducts.com or call toll free 1-800-604-0343.