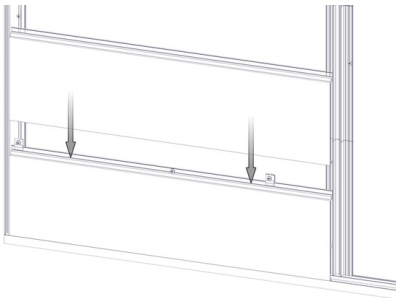


PANELBOARD™

INTERIOR WALL SYSTEM

TYPICAL ISOMETRIC



PROFILES

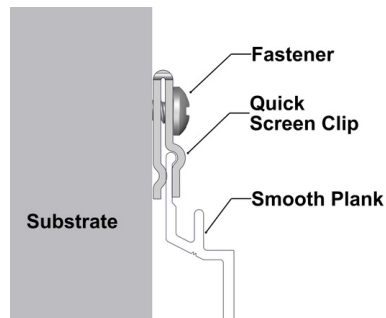
Smooth: 6"
Standard Lengths: 24'
96 SQ FT/box

COMPONENTS - Standard Lengths: 12'

Traditional: 2" Corner Set, 1-3/8" Two Piece J-Track, 1-3/8" Termination Set, Compression Joint (24'), 1-1/2" Flat Reveal Set, 1-1/2" U-Reveal Set, 1-1/2" T&G U-Reveal

Craftsman: 3/4" Inside Corner, 1" Outside Corner, 3/4" U-Reveal Set, 3/4" T&G U-Reveal

Precision: 5/8" Starter J-Track, 3/16" Outside Corner, 5/8" J-Track, 5/8" Two Piece J-Track, 5/8" Termination Set, 1/2" Flat Reveal, 1/2" T&G Flat Reveal



FINISHES

Woodgrains, solid color, naturally aged metal, custom solid colour matching (additional lead times apply)

ATTACHMENT

Planks: Quick-screen clips w. #8 Pan Head screws* @ 32" o.c. (standard).
Quick-screen clips included: 135 pcs/4" box, 90 pcs/6" box.
Trims: hard fasten w. #8 Pan Head screws* @ 16" o.c. *Screws not included.

BIM & CAD

RVT & DWG files available, see website for details

LEAD TIME

Most Popular Finishes
-ready to ship within 1 week
Additional Finishes
-ready to ship within 14 weeks



TECHNICAL SPECIFICATIONS

PHYSICAL DATA

6063-T5 Extruded Aluminum
100% Recyclable
Warranty: Finish:15 year (standard)/20 year* (ultra) (*10 week lead time);
Aluminum: 50 year
Weight (lbs/sqft): ~1.5

TESTING

ICC-ESR 4182 Evaluation Report

LARR - Los Angeles Department of Building Safety (LADBS) accepts ICC-ES reports as proof of compliance

Impact testing: TAS 201



Fire Rating: Class A Non-Combustible by ASTM E136 & ASTM E84 ; A2-s1,d0 by EN 13501-1



Light Reflectance: 5% (Black) up to 73.2% (Ultra White)



info@longboardproducts.com
longboardproducts.com
800 604 0343



LONGBOARD®
INSPIRING ARCHITECTURE

Interior

Panelboard™ Walls

Installation Guidelines



Table of Contents

| | |
|---------------------------------------|-----------|
| <u>Material Specifications</u> | 3 |
| Finishes | 3 |
| Expansion and contraction | 3 |
| Material ordering and deliveries | 3 |
| Storage and handling | 4 |
| Cleaning | 4 |
| Warranty | 4 |
| <u>Components</u> | 5 |
| Components (Typical) | 5 |
| <u>Tools/Cutting/Fastening</u> | 6 |
| Tools | 6 |
| Cutting | 6 |
| Fastening | 7 |
| Fastener types | 7 |
| Framing requirements | 8 |
| Furring recommendations | 8 |
| <u>System Install</u> | 9 |
| Perimeter and field area limitations | 9 |
| Component layout | 10 |
| Corners | 10 |
| J-Track | 10 |
| Starter J-Track | 10 |
| U Reveal Set | 11 |
| T&G U-Reveal | 11 |
| Termination Set | 11 |
| Install Steps | 12-18 |
| Details | 19 |
| Butt-Joints | 19-20 |
| Floor elevations | 21 |
| <u>Appendix</u> | 22 |
| Tables - Expansion & contraction | 22 |
| Tables - Quick Screen clip/wind load | 23 |
| Handling and care of products | 24 |
| Blank Page | 25 |
| Contact Info | 26 |

Material Specifications

Finishes

- Longboard Products are available in a wide range of powder coated finishes.
- Custom solid colors are available upon request.
- Longboard woodgrains have a repeat pattern, shipped in sets mated back-to-back in each box. Install these as they come out of the box, as an A&B pattern staggering each plank approx. 1-2' (305-610mm) from the previous plank to achieve a random pattern aesthetic. It is recommended to create an onsite mock-up to produce a suitable pattern.

Longboard extruded products are produced 1" (25mm) oversized, as one end is drilled for the coating process, and both ends have 1/2" (12mm) of masking tape (woodgrains only) which must be cut off for best results.

Expansion & Contraction

Planks & components expand & contract 1/4" (6mm) over 24' (7.3m) in all directions, measured over a 30°C (54°F) temperature range. Due to this range of movement, the following expansion components should be installed parallel and perpendicular every:

Horizontal Install

- 24' (7.3m) max¹ ² Perpendicular to Planks: Traditional U-Reveal Set
Parallel to Planks (at each floor elevation): Compression Joint

Vertical Install

- 24' (7.3m) max² Parallel and/or Perpendicular to Planks: Traditional U-Reveal Set, J-Tracks back-to-back

¹Note: 40' (12.2m) max if using staggered butt-joints.

²Note: Through-wall flashing (where required) at every floor elevation.

Other options (Perpendicular to Planks only)

- 12' (3.7m) -Craftsman U-Reveal Set

When using expansion components, each plank must terminate into a minimum of one (1) component to allow for expansion & contraction.

See: Appendix for tables of expansion/contraction calculations per foot/meter of material.

Material Ordering & Delivery

- Packaging: Planks are sold in box quantities:
6" Smooth: 96 SQ FT/Box (8/24's) w. 90pcs Quick-Screen Clips included
Components are sold individually by the 12' (3.7m) length.
- Shipping: Most Popular Finishes -ready to ship within 1 week
Additional Finishes -ready to ship within 14 weeks
Delivered on 24' (7.3m) long skids weighing up to 2000 lbs. A mechanical lift with forks is required on site to receive the order.
- QC: Always inspect the delivery for damage and contact LB ASAP if there are any issues: info@longboardproducts.com or 1-800-604-0343 and include your PO# and any pictures if possible. Mark the delivery receipt as "damaged" and accept the delivery as-is. Longboard is not responsible for the installation of blemished or damaged material.

Storage & Handling

Be sure to store the material flat, keep it dry, safe & secure and remain in unopened cartons until ready to be installed. **See Appendix for proper handling and care instructions.**

Cleaning Recommendations

- Initial and periodic cleaning for best looking product
- Basic methods use a combination of moderate water pressure, soft sponge/brush and a mild detergent (Safe for your hands, safe for the product)

⚠ NEVER use aggressive acid or alkaline cleaners on Longboard finishes. Do not use cleaners containing Trisodium Phosphate, Phosphoric Acid, Hydrochloric Acid, Hydrofluoric Acid, Fluorides, or any other compound that is known to react with metal.

***See Cleaning Guide for full requirements & cleaning schedule:**

longboardproducts/resources/care-maintenance.com

Warranty

Upon substantial completion of the project, register for warranty online here: longboardproducts.com/warranty

⚠ Registration is required for the warranty to be in effect.

Graffiti Removal

Standard Woodgrain

Use Standard soap & water only

D2000 Solid Color

| | Prosoco Cleaner | MEK Solvent |
|-------------------------|-------------------------------------|-------------------------------------|
| Permanent Marker | <input checked="" type="checkbox"/> | <input checked="" type="checkbox"/> |
| Oil Based Spray Paint | <input checked="" type="checkbox"/> | <input checked="" type="checkbox"/> |
| Water Based Spray Paint | <input checked="" type="checkbox"/> | <input checked="" type="checkbox"/> |
| Adhesive Tape | <input checked="" type="checkbox"/> | <input checked="" type="checkbox"/> |

MEK Solvent

Prosoco Anti-Graffiti Cleaner

SPECIAL ORDER - EXT. LEAD TIMES CONTACT LB

Anti-Graffiti High Gloss Woodgrain

| | MEK Solvent |
|-------------------------|-------------------------------------|
| Permanent Marker | <input checked="" type="checkbox"/> |
| Oil Based Spray Paint | <input checked="" type="checkbox"/> |
| Water Based Spray Paint | <input checked="" type="checkbox"/> |
| Adhesive Tape | <input checked="" type="checkbox"/> |








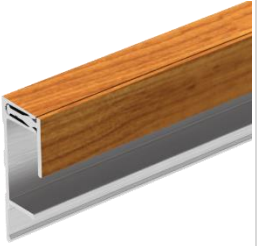
MEK Solvent

Note: Cleaning the surface with a cleanser that is not diluted as per instructions, may result in damage to the coating.

Components

Components (Typical)


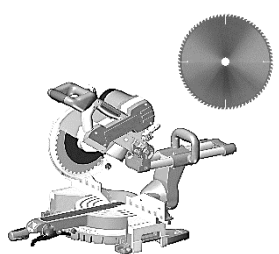

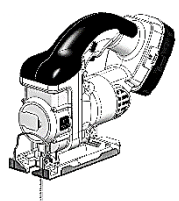

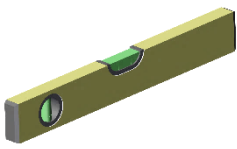


The Panelboard™ system consists of many components used in conjunction with each other to create a panelized look. For all LB components go to longboardproducts.com.

| | | | |
|--|--|---|--|
|  <p>6" Smooth Plank 6PSP.289</p> |  <p>J-Track 1JT.145</p> |  <p>Corner Set 2CORS.145</p> |  <p>Starter J-Track 1SJT.145</p> |
|  <p>Two Piece J-Track 1X1JT.145</p> |  <p>T&G U-Reveal 2TGURK.289</p> |  <p>U-Reveal Set 2URS.145</p> |  <p>Termination Set 1TS.145</p> |

Tools/Cutting/Fastening

Tools

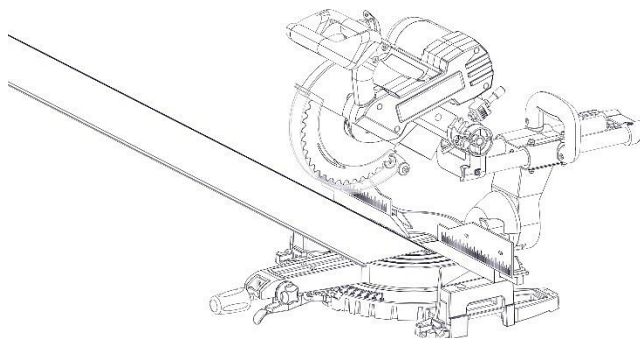
Commonly used tools for Panelboard install.

| | | | |
|---|---|--|---|
|  |  |  |  |
| Table Saw with Carbide Metal Blade Non-ferrous 60-80T (for cutting aluminum) | Miter Saw with Carbide Metal Blade Non-ferrous 60-80T (for cutting aluminum) | Cordless Drill with clutch | Jig Saw (for protrusions) |
|  |  |  |  |
| Rubber Mallet (or Hammer) | Level | Hole Saw (for lighting fixtures) | #8 Pan Head Screws <small>*Length, thread and point to suit substrate</small> |

Cutting

 Always be sure to wear appropriate PPE: eye & hearing protection.

Cut planks using a Miter Saw and Table Saw, always allowing for expansion & contraction. Trim the taped/drilled ends of all stock length material by at least **1/2" (12mm) each end** and discard.



Fastening

Fasteners must be corrosion resistant and comply with all local building codes.

⚠️ All fasteners should be suitable for exterior use and be compatible with the substrate type. **Fasteners should be anchored into a solid secure framing member, blocking, furring or strapping. For vertical applications when the framing member is not available, install diagonal furring strips or horizontal metal strapping to securely fasten planks.**

Perimeter components should be hard fastened every **16" (406mm) O.C.** directly through the flange using #8 pan-head screws (supplied by others). These components should be fastened within **8" (203mm)** of the end for secure fastening.

Planks & starter components are secured using Longboard **Quick-Screen Clips** fastened to the substrate using #8 pan-head screws (supplied by others).

- Typically, every **32" (813mm) O.C.**

⚠️ Always consult the project engineer, architect or authority having jurisdiction to understand the project specific fastening requirements.

See **Appendix for fastener specs:**
Quick Screen Clip - Wind Load Tables 3 & 4

Fastener types

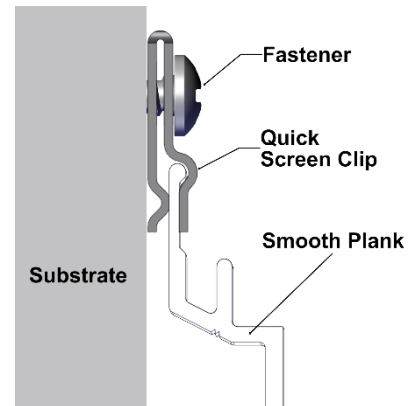
RECOMMENDED

Pan-Head



*Length, thread and point to suit substrate

CORRECT



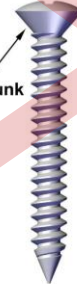
DO NOT USE

Flat-Head

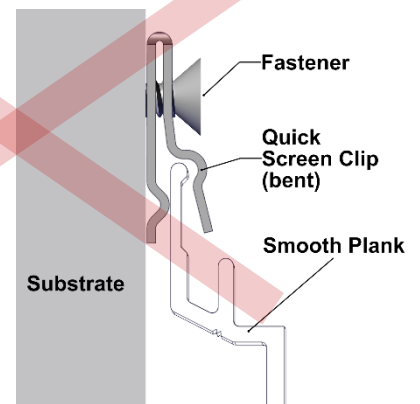
Oval-Head



Countersunk Head

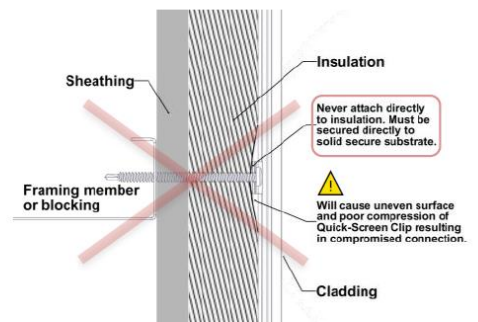
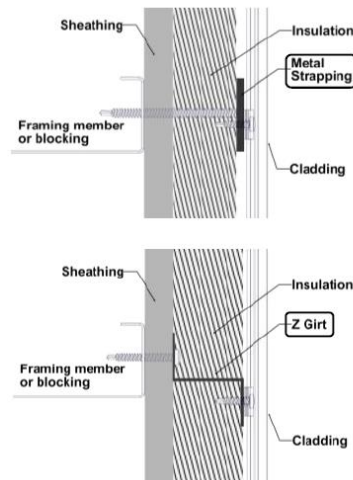
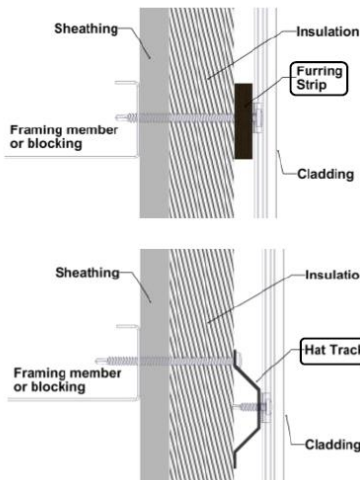


INCORRECT



Fastening options onto exterior insulation

*Never direct to insulation. Must be secured directly to solid secure substrate.



Framing requirements

Always consult the local building authority and follow local building code requirements.

When attaching to **Hitch Cladding attachment System** refer to Hitch Install Guide for requirements.

Wood Framing

- Size: 2x4 minimum
- Spacing: see Appendix Table 3 & 4 for reference

Metal Framing

- Gauge: 20 ga. minimum (see Appendix Table 3 & 4 for reference)
- Spacing: see Appendix Table 3 & 4 for reference

Furring recommendations

Wood Furring

Attached back to wood or metal framing/blocking.

- Size: 3/8" minimum
- Spacing: See Appendix Table 3 & 4 for reference

Metal Furring/Strapping

Attached back to wood or metal framing/blocking.

- Size: 20 ga. minimum
- Spacing: See Appendix Table 3 & 4 for reference

Concrete/CMU

Wood or metal furring is recommended over concrete and CMU.

Wood Furring:

- Size: 2x2 minimum
- Type: Pressure treated lumber
- Spacing: See Appendix Table 3 & 4 for reference

Metal Furring:

- Size: 20 ga. minimum (See Appendix Table 3 & 4 for reference)
- Type: Hat channel, Stud, or Z-Girt.
- Spacing: See Appendix Table 3 & 4 for reference

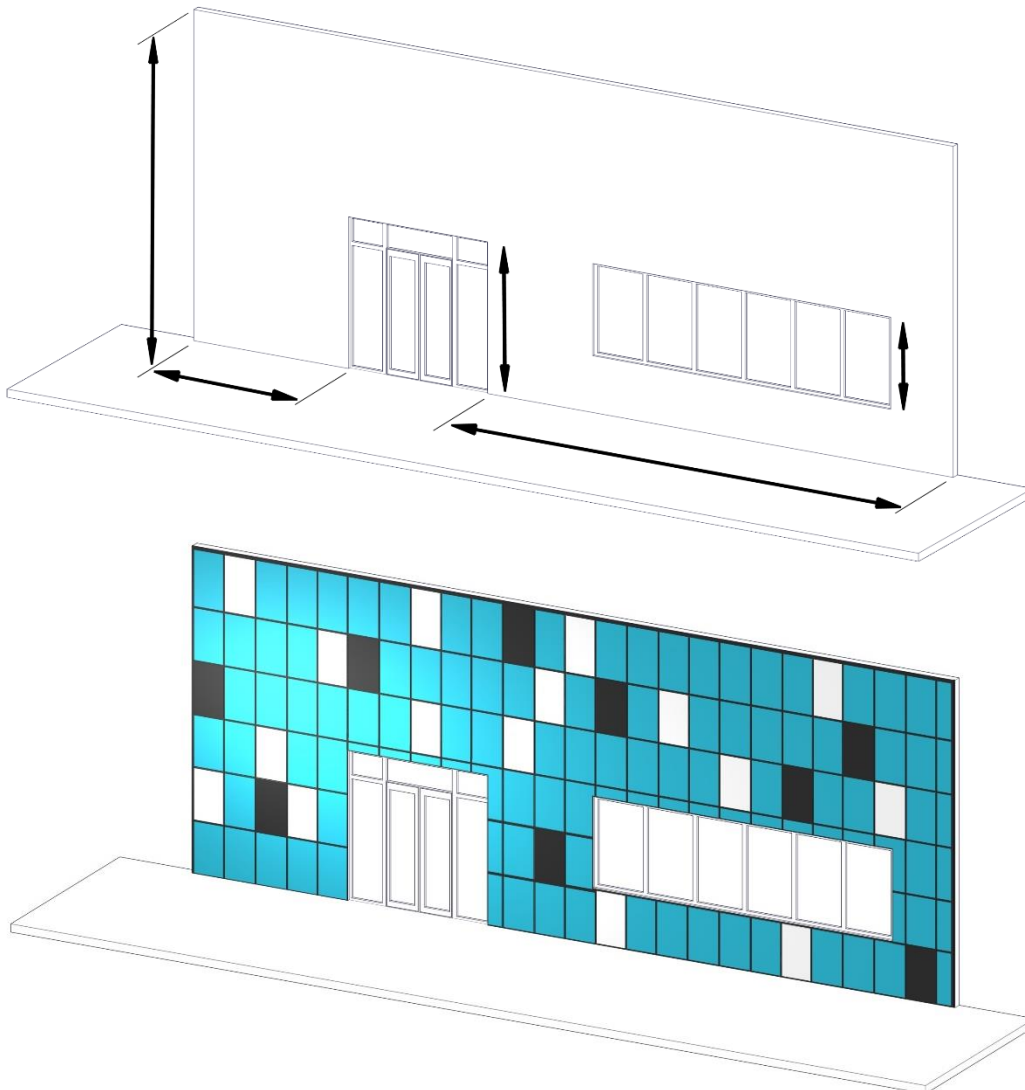
System Install

Perimeter and field area limitations

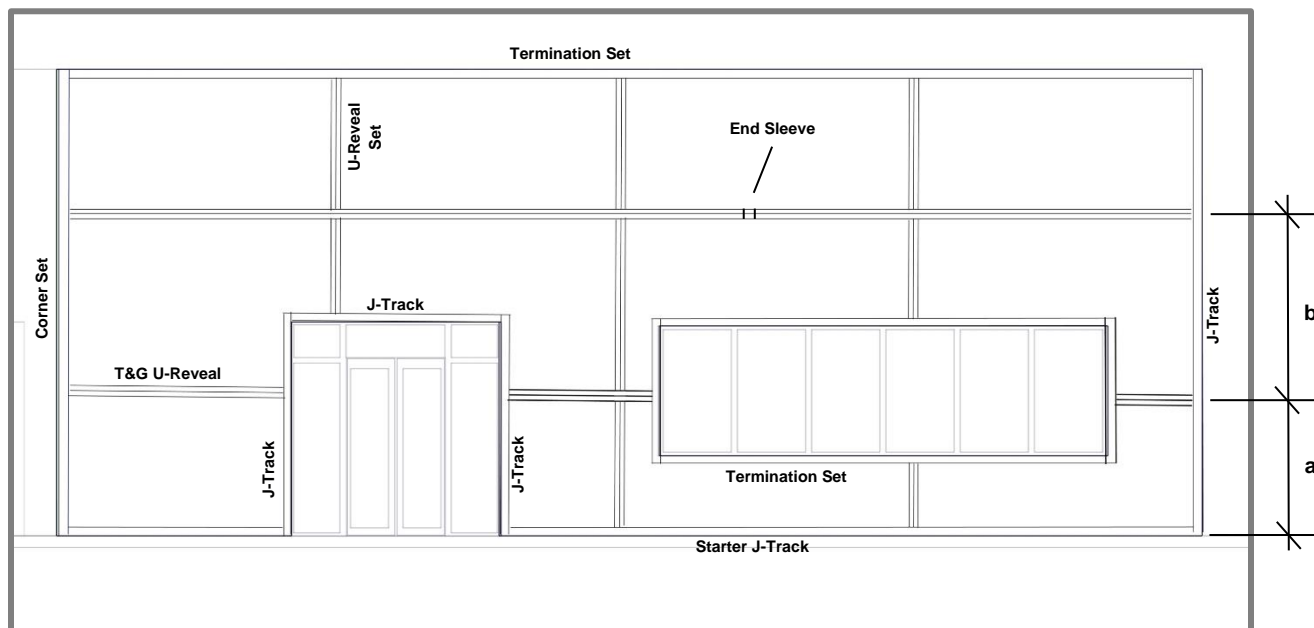
Measure and layout your wall area to consider plank & component alignment with fixtures, penetrations, and adjacent walls, for desired appearance. Consider using butt-joints along runs to minimize waste. Apply the same methodology for horizontal planks and vertical planks.

- Longboard system typical dimensions:

| | |
|-------------------------------------|----------------|
| Planks width | - 6" (152mm) |
| Planks depth | - 1/2" (12mm) |
| Planks and Quick-Screen Clips depth | - 9/16" (14mm) |
| Trim Components depth | - 5/8" (15mm) |



Component layout



Measurement considerations:

1 1/2" (38mm) T&G U-Reveal (up to 24' length panels)

- (a) Start to Panel - Measuring from outer edge of the Starter J-Track to the center of the 1 1/2" U-Reveal, add 5/8" (16mm) to the dimension of the Plank area. = $6"(X) + 5/8"$ to ϕ
- (b) Panel to Panel - Measuring from center to center of the 1 1/2" U-Reveal, add 1" (25mm) to the dimension of the Plank area. = $6"(X) + 1"$ to ϕ

3/4" (19mm) T&G U-Reveal (up to 12' length panels)

- (a) Start to Panel - Measuring from outer edge of the Starter J-Track to the center of the 3/4" U-Reveal, add 1/4" (6mm) to the dimension of the Plank area. = $6"(X) + 1/4"$ to ϕ
- (b) Panel to Panel - Measuring from center to center of the 3/4" U-Reveal, add 3/8" (10mm) to the dimension of the Plank area. = $6"(X) + 3/8"$ to ϕ

COMPONENTS -12' Stock lengths unless otherwise noted

Corner Set 2", Outside Corner 1", Inside Corner 3/4"

Location: Inside & outside corners of the installation area.
 Details: Corner Set 2" recommended for vertical cladding installs.

J-Track 5/8", Two Piece J-Track (5/8, 7/8", 1 3/8")

Location: Perpendicular to Planks (eg: sides of windows and doors), along gable end walls, other angled conditions, window/door headers and other penetrations.
 Details: Notch the flange at the ends where they meet corner components.

Starter J-Track 5/8", Starter Strip

Location: Where starting with a full width Plank, typically along the bottom of the installation for horizontal Planks.
 Details: Alternatively, Starter Strip can be used back-to-back for vertical installs at the center of each cladding area for equal width ends.

U-Reveal Set (3/4", 1 1/2")

Location: Perpendicular to Planks, used to set panelized widths.

Details: Two-piece component (cap & base).

T&G U-Reveal (3/4", 1 1/2")

Location: Parallel to Planks, used to set panelized widths.

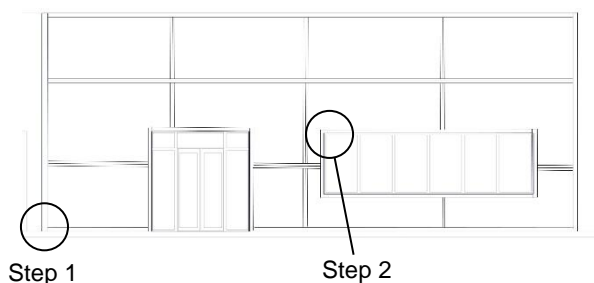
Details: Single-piece component, use End Sleeve (included) every 24' max. (24' Stock lengths)

Termination Set (5/8", 7/8", 1 3/8")

Location: Parallel to Planks along top of the installation area, underside of windows (horizontal cladding only), sides of windows/doors (vertical cladding only) and other penetrations.

Details: Install base only to start and cap after planks are installed.

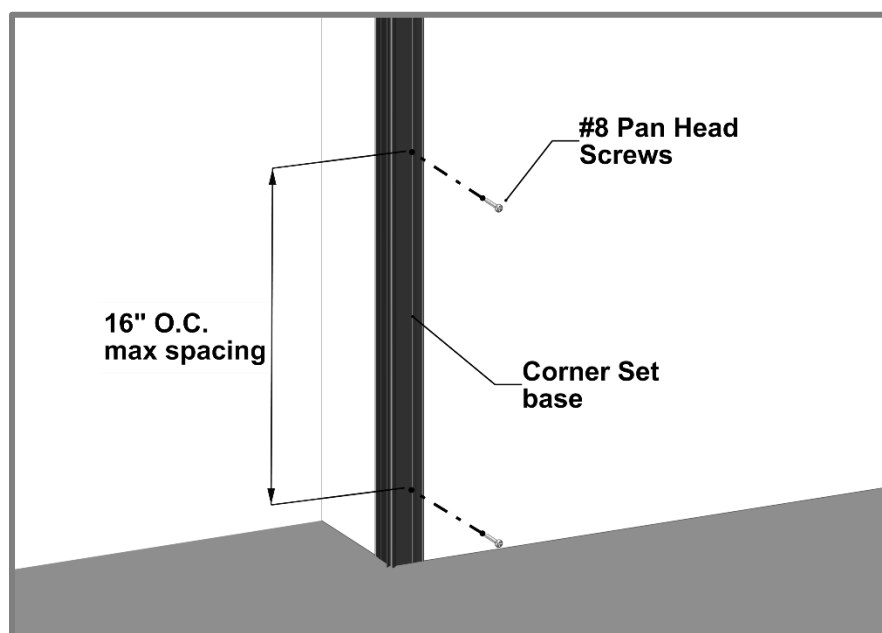
Install steps



Step 1 - Corners

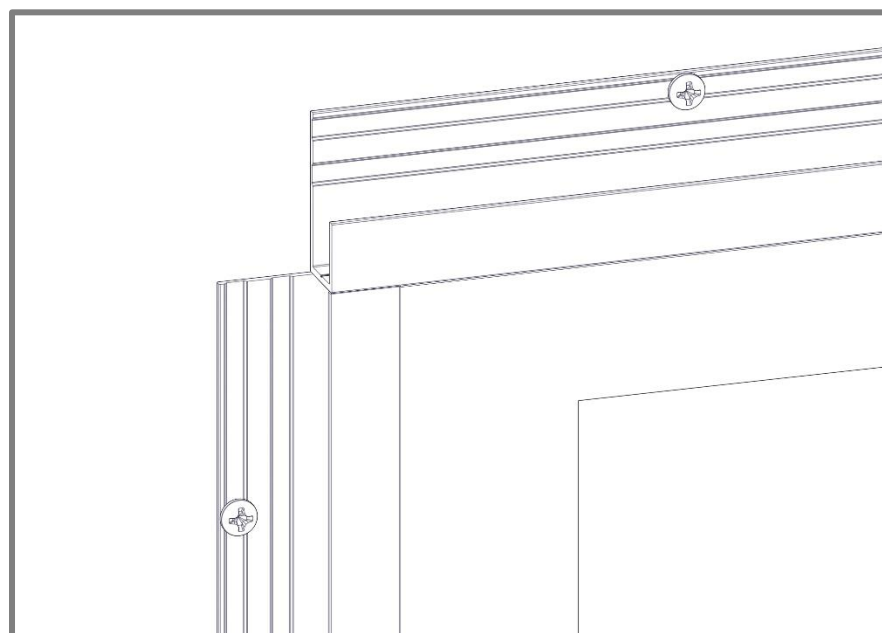
Install inside and outside corner bases, fastening every 16" O.C. with #8 Pan Head Screws. Corners typically extend from top to bottom of the area of application.

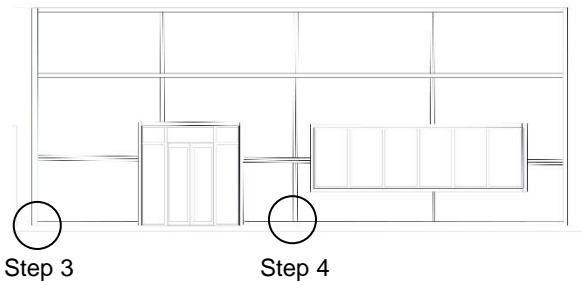
⚠ Check that components are level or plumb and flat or straight, for best results.



Step 2 - J-Track

Install J-Track or Two-Piece J-Track around windows and doors, fastening every 16" O.C. with #8 Pan Head Screws. Trims can be mitered for a clean corner look.

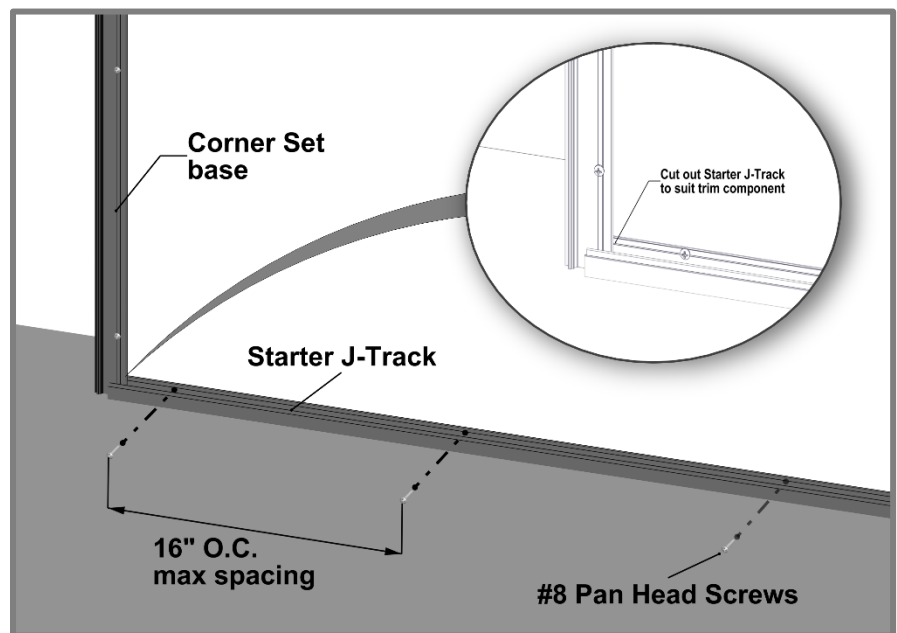




Step 3 - Starter J-Track

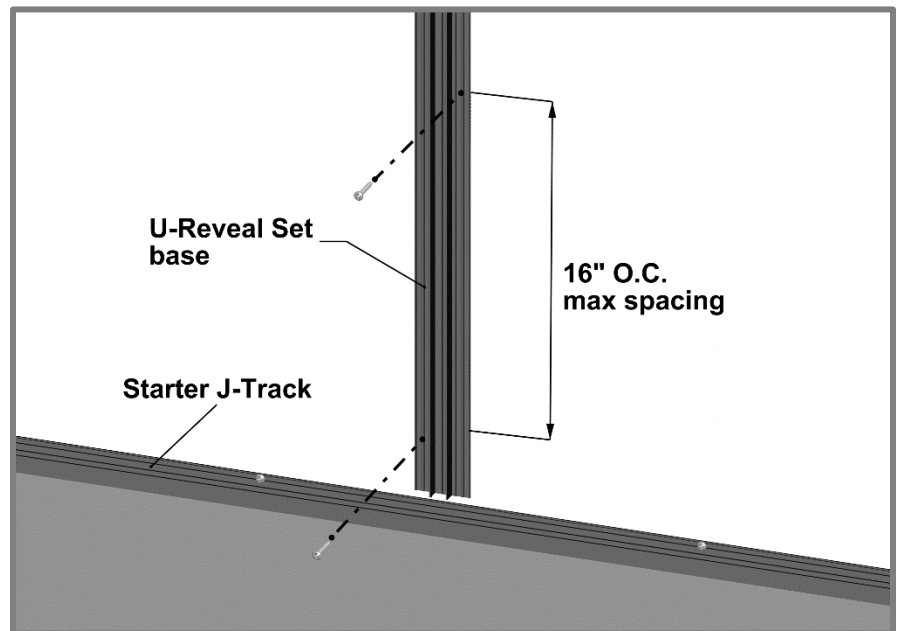
Install Starter J-Track or Starter Strip along the bottom of the wall(s), fastening every 16" O.C. with #8 Pan Head Screws. Notch the Starter J-Track to suit the trim component.

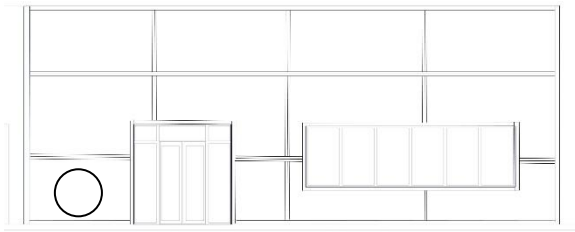
⚠ Use J-Track and Back-to-Back Starter for vertical plank installations. (Not Shown)



Step 4 - U-Reveal

Install U-Reveal Set (base only) at the desired panelized length, fastening every 16" O.C. with #8 Pan Head Screws.





Step 5

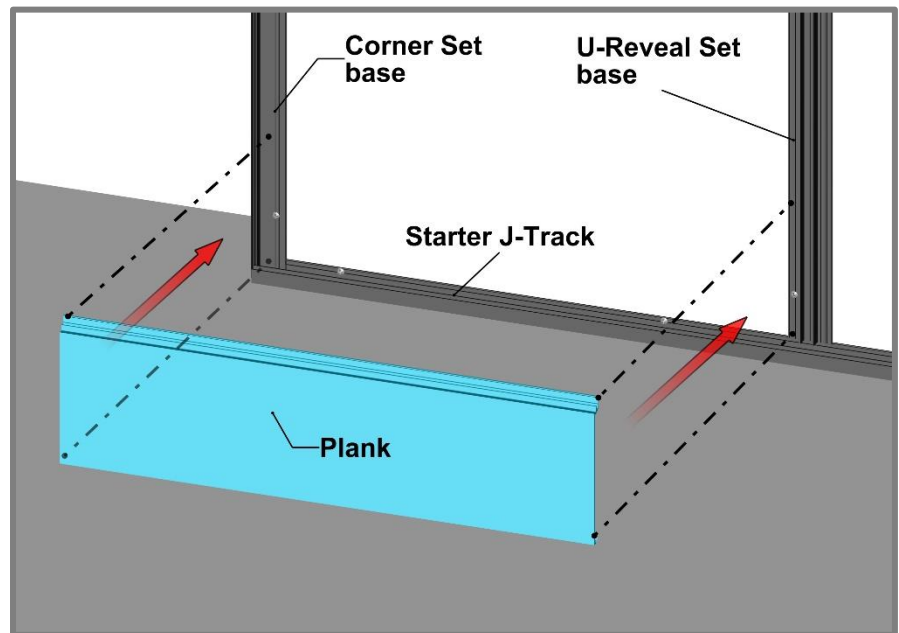


PLANK PREPARATION DURING INSTALL

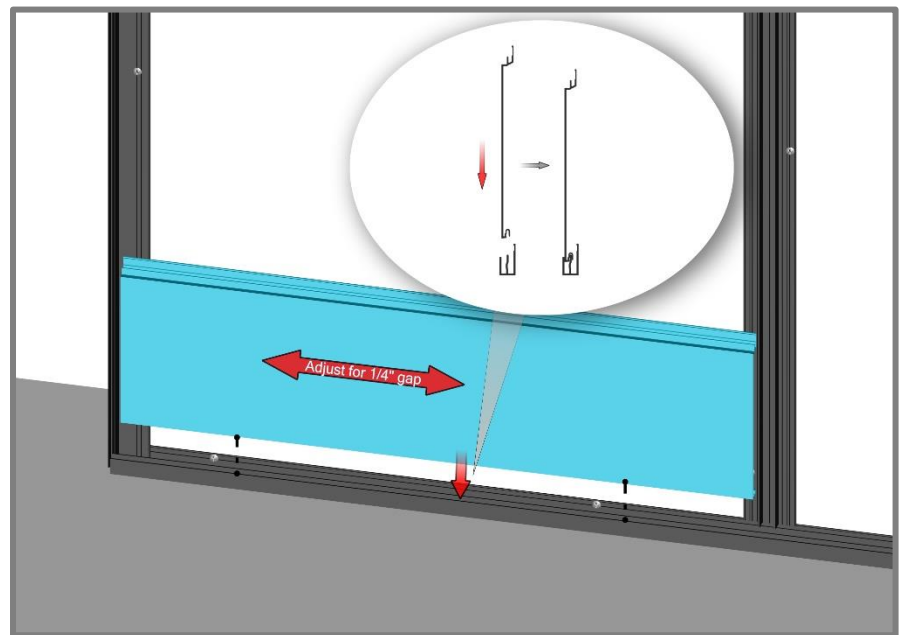
1. **No** Taped/Drilled ends (cut off 1/2" each end).
2. **No** Damage/dents and correct plank sequence per project.
3. **Confirm** allowance for expansion/contraction & confirm trim/caps cover.
4. **Confirm** level substrate, shims might be required for a flat /straight plank install.

Step 5 - Planks

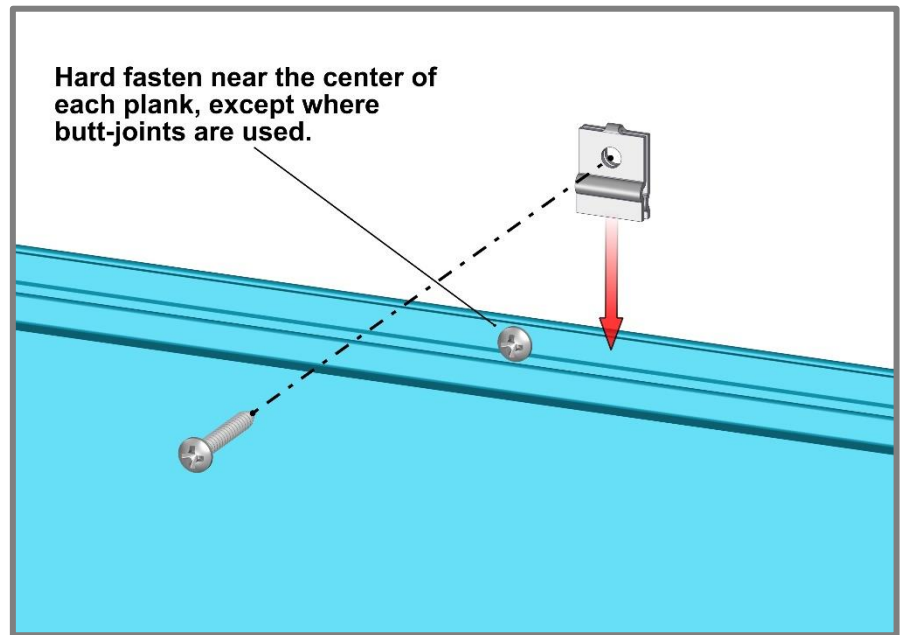
Place the planks into the groove of the Starter J-Track, engaging the tongue. It is good practice to check your installation every 2-3 rows for level or plumb and flat or straight, for best results.



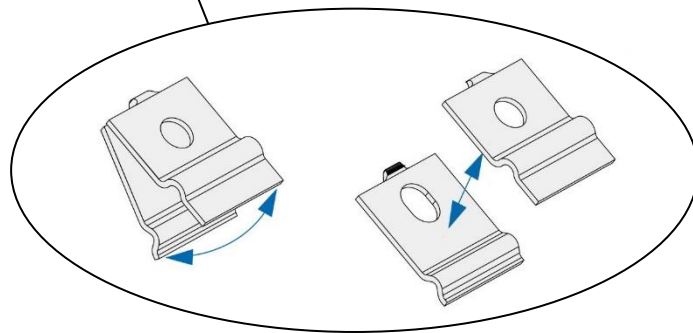
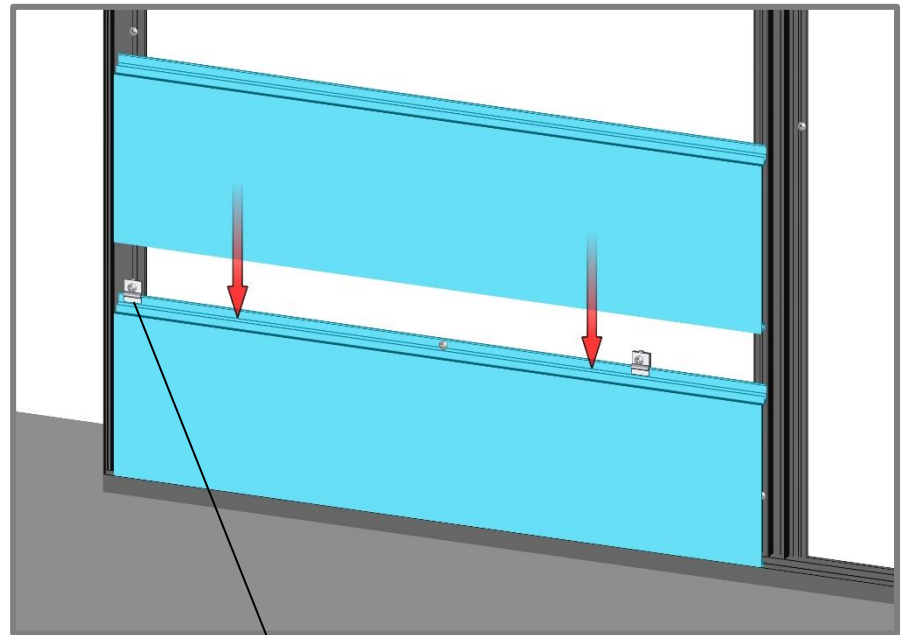
Ensure there is sufficient room for expansion and contraction of each Plank, also confirming component caps will cover.

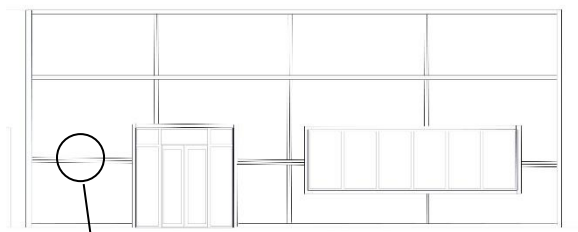


Install Quick Screen Clips every 32" (813mm) O.C. max spacing. Hard fasten only one point near the center of each plank or fasten at the butt-joints where butt-joints are used. Shim Quick-Screen Clips where needed to correct any substrate inconsistencies.



Where anchoring the planks securely can only be achieved over component flanges; split the Quick Screen Clip and use one piece on the front. This will maintain each Planks ability to expand and contract.





Step 6

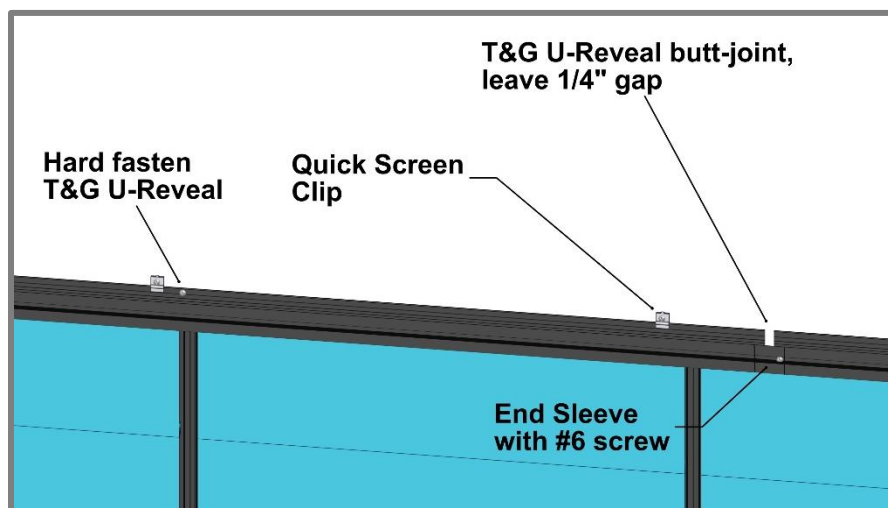
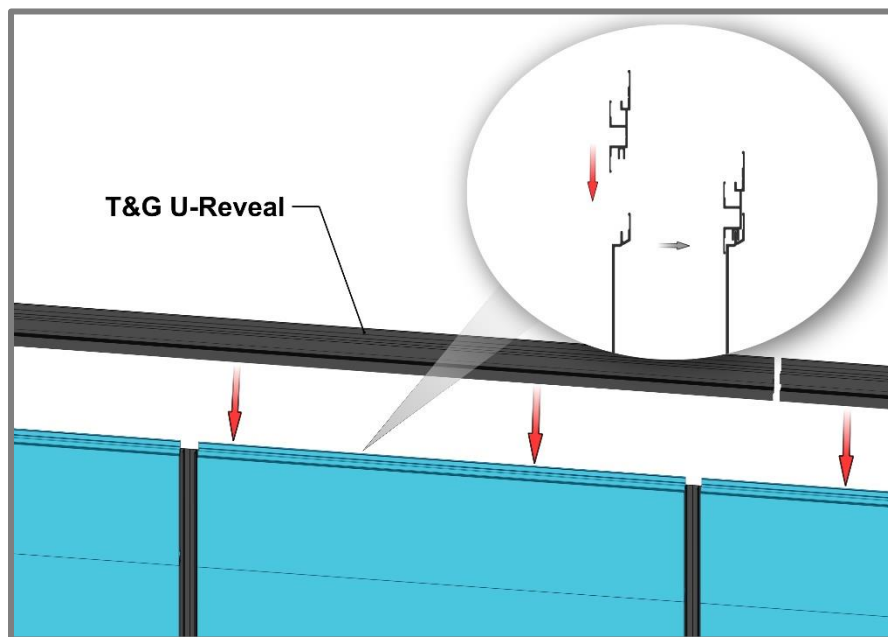
Step 6 - T&G U-Reveal

Install T&G U-Reveal at the Panelized width locking it into the tongue of the Planks.

⚠ Do Not use fasteners or Quick-Screen Clips on Planks which engage with the groove side of the T&G U-Reveal.

Fasten T&G U-Reveal with Quick Screen Clips and fasteners every 32" O.C. Hard fasten near the center of each T&G U-Reveal length. Where using multiple lengths of T&G U-Reveal, leave a 1/4" gap between butt-joints for thermal movement.

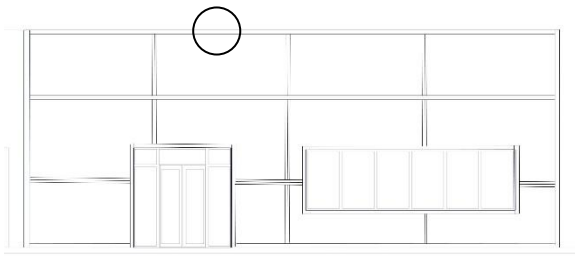
- Where using the Craftsman T&G U-Reveal (3/4"), install the included Craftsman End Sleeve to cover the 1/4" butt-joints. Use a small amount of structural silicone on a single side of the End Sleeve, leaving the opposite side dry and free to expand and contract.
- Where using the Traditional T&G U-Reveal (1-1/2"), install the included Traditional End Sleeve to cover the opposite side, free to expand and contract.



Step 7 – Next sections

Repeat install steps 4-6. Install Compression Joints at floor elevations or anywhere else required by local building authority.

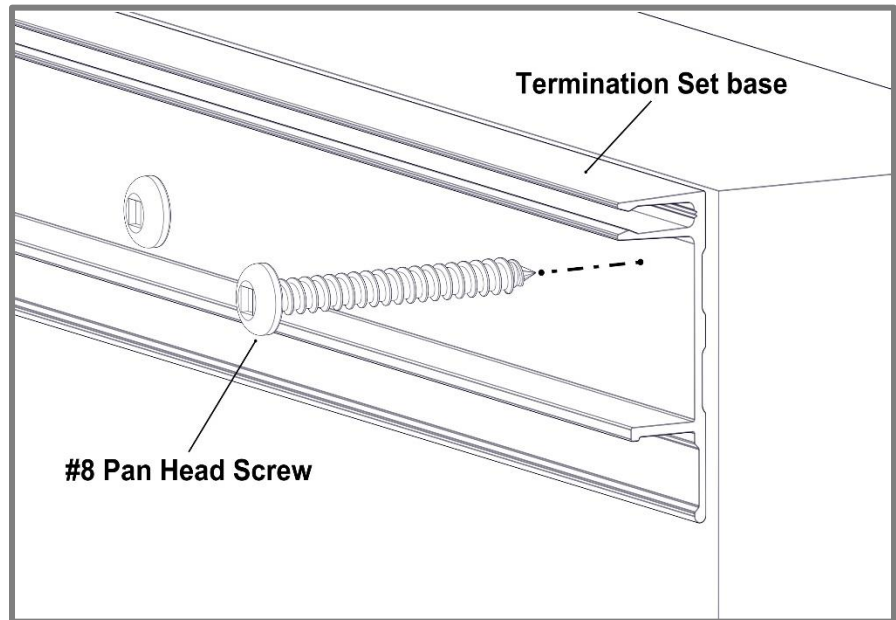
Step 8,9



Step 8 – Termination Set

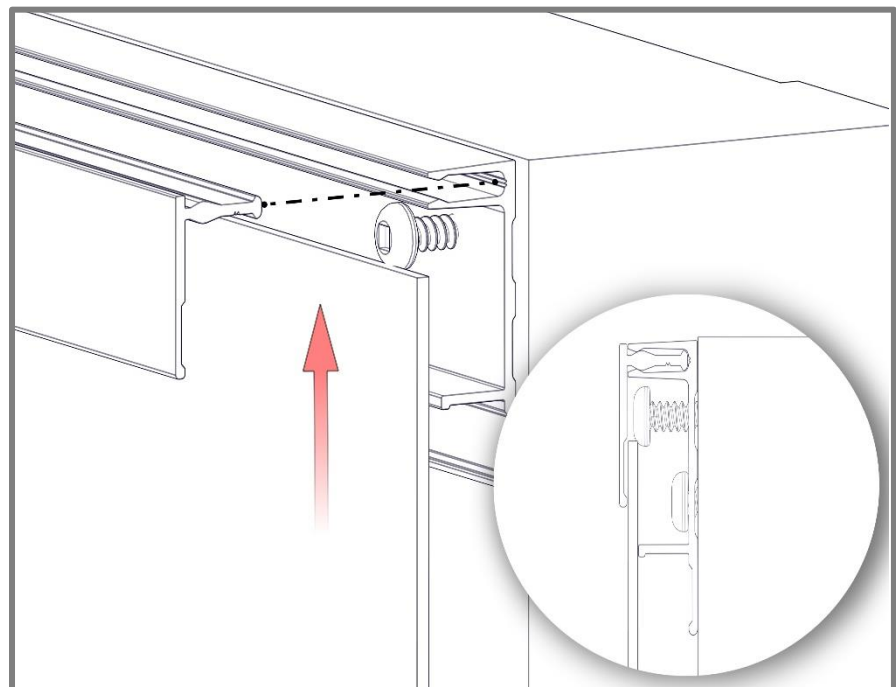
Install Termination Set (base only), fastening every 16" O.C.

Where terminating cut planks, provide a positive stop approximately every 16" (406mm).



Step 9 – Last Row of Planks

Rip the last Plank, cutting it to width to suit the installation area(s). Install edge plank with a 1/4" gap and screw to lock the plank into place.

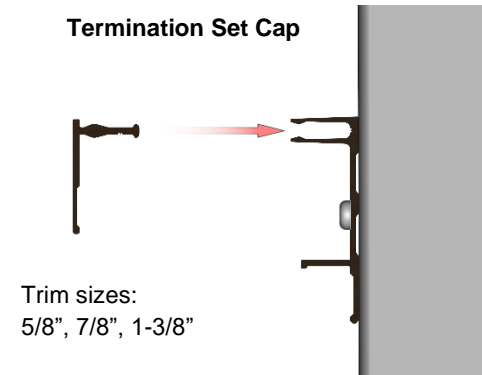
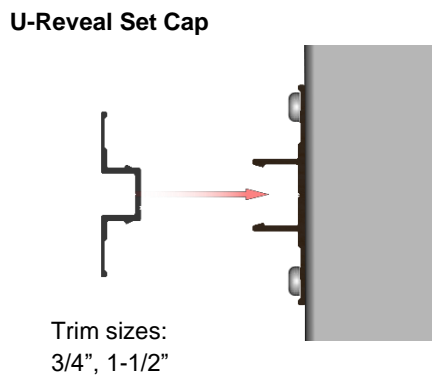
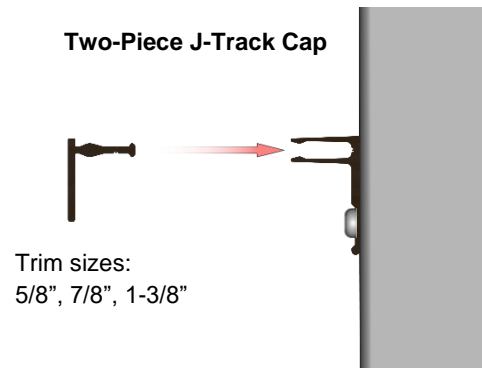
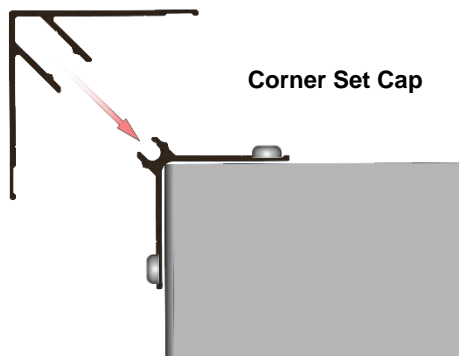


Step 10 - Once planks are installed, finish off the perimeter trims with caps from two-piece sets.

Component Caps

Location: Installed onto the base of the two-piece sets.

Details: If required, use a rubber mallet or hammer and block to protect the finish during this process.

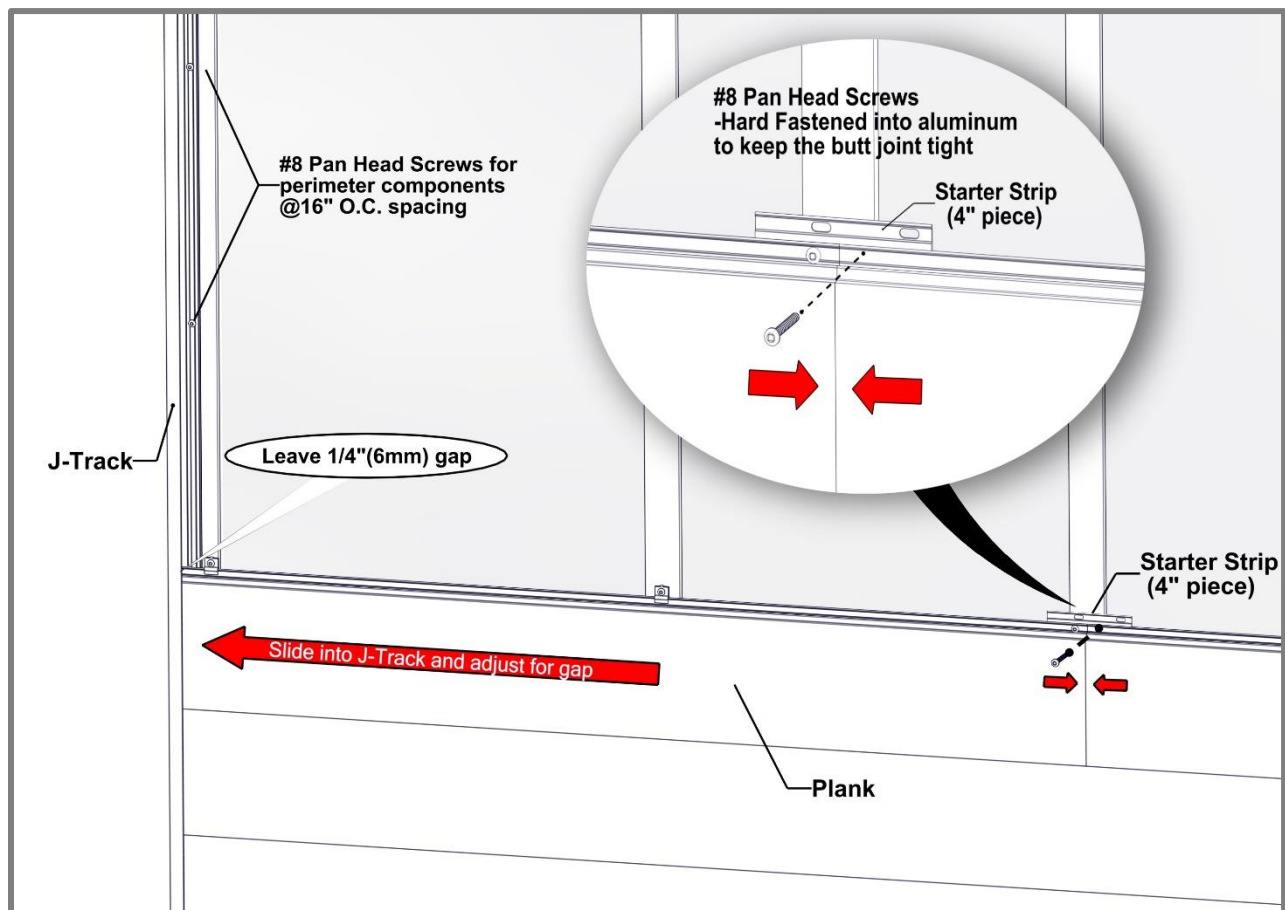


Details

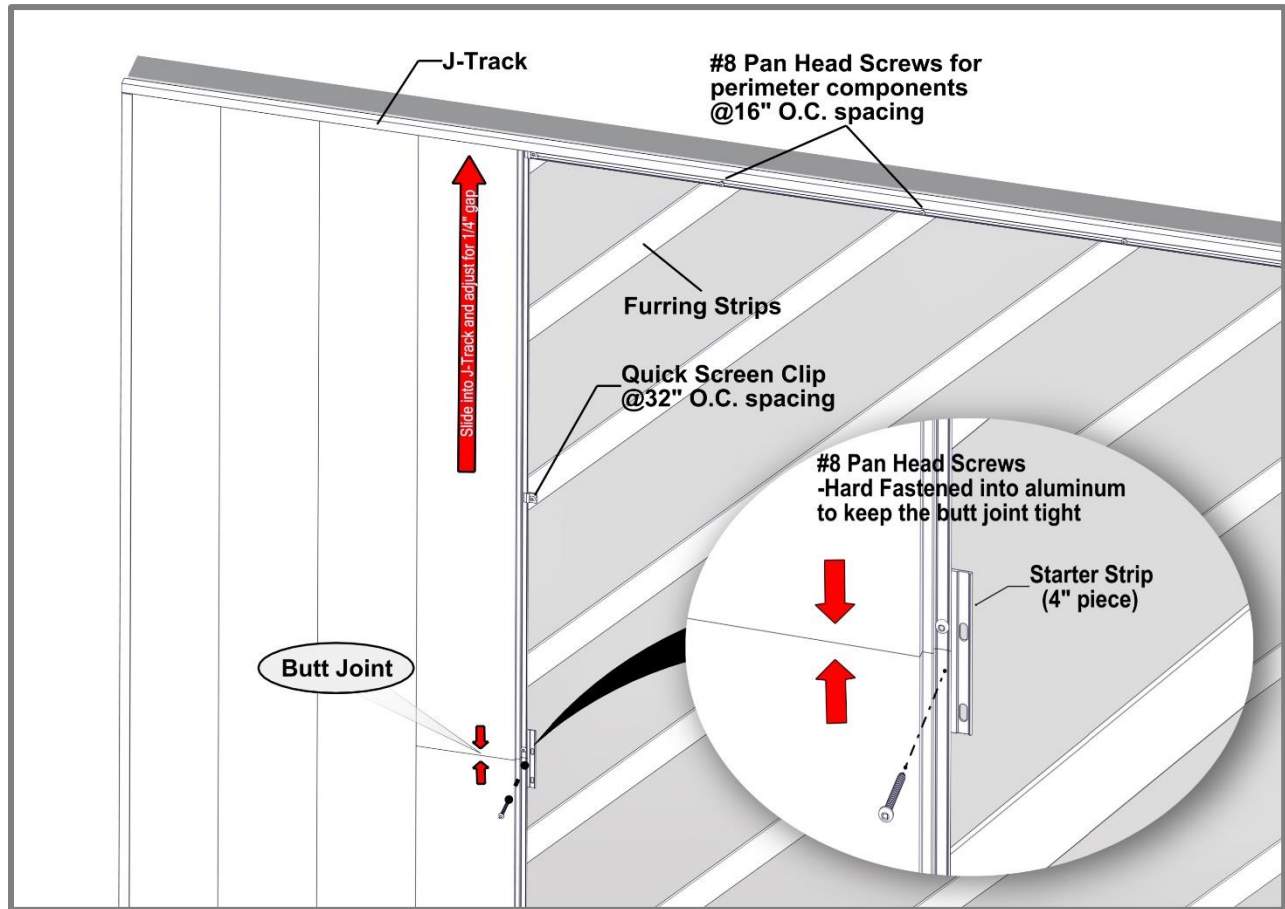
Butt-Joints

- Consider using butt-joints along runs to minimize waste.
- ⚠ When installing staggered butt-joints, hard-fasten the two planks at the butt-joint to ensure joints do not open up (**See Detail A & B**). Fasteners should be placed at the uppermost location of the plank flange, to not interfere with the next plank engaging the tongue and groove properly. At the butt-joint, fasteners should be anchored into a 4" length of Strater Strip.
- On exposed cuts such as butt-joints, trim ends or similar, use touch-up paint pens (purchased separately) to finish the ends of the two (2) planks at the butt- joint.
- DO NOT install more than one (1) butt-joint between two components.
- DO NOT hard-fasten a plank to a component trim, as this will restrict its ability to expand & contract into the component.
- If no butt joints along the length, it is good practice to hard-fasten each plank directly through the flange near the center, to keep the planks from migrating.
- DO NOT hard-fasten more than one (1) location per plank.
- Hard fasten only:

| Situation | Location |
|-----------------|----------------------------|
| No butt-joints: | -Near the center of planks |
| Butt-joints: | -At the joints |



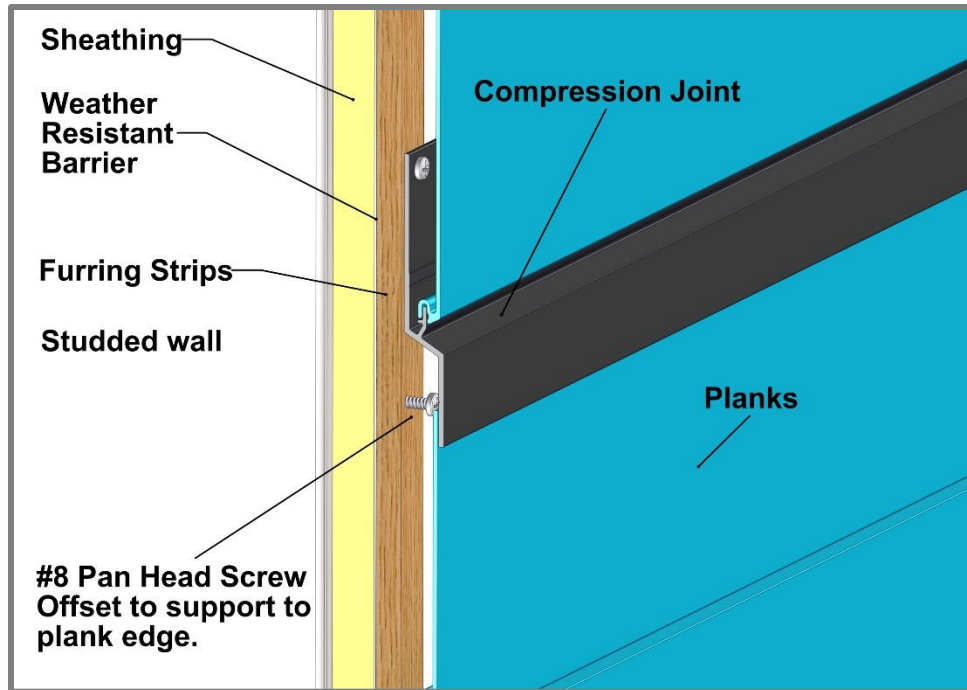
Detail A



Detail B

Floor elevation

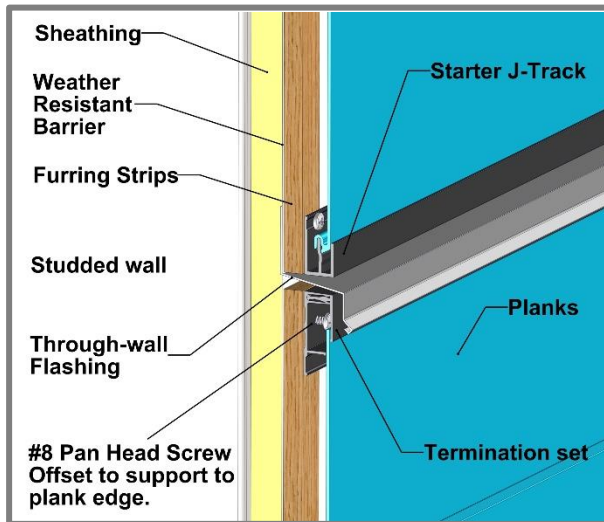
Compression Joint



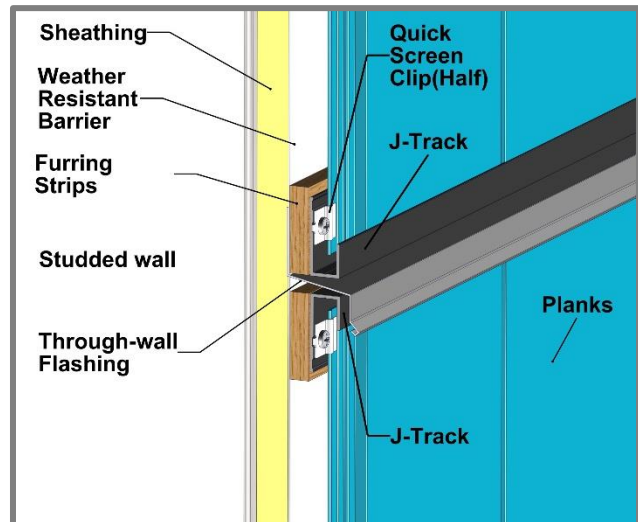
Floor elevation

Type: Compression Joint, Termination set/Starter J-Track, J-Track back-to-back.
 Location: Typically, at every floor elevation and where through-wall flashing is required.
 Details: Note the orientation of planks for through-wall flashing install.

Through-wall Flashing



Horizontal Install



Vertical Install

Appendix

Expansion and Contraction Tables

TABLE 1 - IMPERIAL

| | | AVERAGE TEMPERATURE AT TIME OF CUTTING & INSTALLATION | | | | | | | | | | | |
|---------------------------------|-----|---|--------------------------------------|--------|--------|--------|--------|--------|--------|--------|--------|--------|--------|
| °C | | -50 | -40 | -30 | -20 | -10 | 0 | 10 | 20 | 30 | 40 | 50 | |
| °F | | -58 | -40 | -22 | -4 | 14 | 32 | 50 | 68 | 86 | 104 | 122 | |
| MIN/MAX POST CONSTRUCTION TEMP. | °C | °F | EXPANSION OR CONTRACTION (INCH/FOOT) | | | | | | | | | | |
| | -50 | -58 | 0.000 | -0.003 | -0.005 | -0.008 | -0.011 | -0.014 | -0.016 | -0.019 | -0.022 | -0.024 | -0.027 |
| | -40 | -40 | 0.003 | 0.000 | -0.003 | -0.005 | -0.008 | -0.011 | -0.014 | -0.016 | -0.019 | -0.022 | -0.024 |
| | -30 | -22 | 0.005 | 0.003 | 0.000 | -0.003 | -0.005 | -0.008 | -0.011 | -0.014 | -0.016 | -0.019 | -0.022 |
| | -20 | -4 | 0.008 | 0.005 | 0.003 | 0.000 | -0.003 | -0.005 | -0.008 | -0.011 | -0.014 | -0.016 | -0.019 |
| | -10 | 14 | 0.011 | 0.008 | 0.005 | 0.003 | 0.000 | -0.003 | -0.005 | -0.008 | -0.011 | -0.014 | -0.016 |
| | 0 | 32 | 0.014 | 0.011 | 0.008 | 0.005 | 0.003 | 0.000 | -0.003 | -0.005 | -0.008 | -0.011 | -0.014 |
| | 10 | 50 | 0.016 | 0.014 | 0.011 | 0.008 | 0.005 | 0.003 | 0.000 | -0.003 | -0.005 | -0.008 | -0.011 |
| | 20 | 68 | 0.019 | 0.016 | 0.014 | 0.011 | 0.008 | 0.005 | 0.003 | 0.000 | -0.003 | -0.005 | -0.008 |
| | 30 | 86 | 0.022 | 0.019 | 0.016 | 0.014 | 0.011 | 0.008 | 0.005 | 0.003 | 0.000 | -0.003 | -0.005 |
| | 40 | 104 | 0.024 | 0.022 | 0.019 | 0.016 | 0.014 | 0.011 | 0.008 | 0.005 | 0.003 | 0.000 | -0.003 |
| | 50 | 122 | 0.027 | 0.024 | 0.022 | 0.019 | 0.016 | 0.014 | 0.011 | 0.008 | 0.005 | 0.003 | 0.000 |

TABLE 2 - METRIC

| | | AVERAGE TEMPERATURE AT TIME OF CUTTING & INSTALLATION | | | | | | | | | | | |
|---------------------------------|-----|---|-------------------------------------|--------|--------|--------|--------|--------|--------|--------|--------|--------|--------|
| °C | | -50 | -40 | -30 | -20 | -10 | 0 | 10 | 20 | 30 | 40 | 50 | |
| °F | | -58 | -40 | -22 | -4 | 14 | 32 | 50 | 68 | 86 | 104 | 122 | |
| MIN/MAX POST CONSTRUCTION TEMP. | °C | °F | EXPANSION OR CONTRACTION (MM/METER) | | | | | | | | | | |
| | -50 | -58 | 0.000 | -0.230 | -0.460 | -0.690 | -0.920 | -1.150 | -1.380 | -1.610 | -1.840 | -2.070 | -2.300 |
| | -40 | -40 | 0.230 | 0.000 | -0.230 | -0.460 | -0.690 | -0.920 | -1.150 | -1.380 | -1.610 | -1.840 | -2.070 |
| | -30 | -22 | 0.460 | 0.230 | 0.000 | -0.230 | -0.460 | -0.690 | -0.920 | -1.150 | -1.380 | -1.610 | -1.840 |
| | -20 | -4 | 0.690 | 0.460 | 0.230 | 0.000 | -0.230 | -0.460 | -0.690 | -0.920 | -1.150 | -1.380 | -1.610 |
| | -10 | 14 | 0.920 | 0.690 | 0.460 | 0.230 | 0.000 | -0.230 | -0.460 | -0.690 | -0.920 | -1.150 | -1.380 |
| | 0 | 32 | 1.150 | 0.920 | 0.690 | 0.460 | 0.230 | 0.000 | -0.230 | -0.460 | -0.690 | -0.920 | -1.150 |
| | 10 | 50 | 1.380 | 1.150 | 0.920 | 0.690 | 0.460 | 0.230 | 0.000 | -0.230 | -0.460 | -0.690 | -0.920 |
| | 20 | 68 | 1.610 | 1.380 | 1.150 | 0.920 | 0.690 | 0.460 | 0.230 | 0.000 | -0.230 | -0.460 | -0.690 |
| | 30 | 86 | 1.840 | 1.610 | 1.380 | 1.150 | 0.920 | 0.690 | 0.460 | 0.230 | 0.000 | -0.230 | -0.460 |
| | 40 | 104 | 2.070 | 1.840 | 1.610 | 1.380 | 1.150 | 0.920 | 0.690 | 0.460 | 0.230 | 0.000 | -0.230 |
| | 50 | 122 | 2.300 | 2.070 | 1.840 | 1.610 | 1.380 | 1.150 | 0.920 | 0.690 | 0.460 | 0.230 | 0.000 |

TABLE 3

| 4" PLANKS | | PSF (Factored / Ultimate) | | | | | | | | | | | | |
|---|-----|---------------------------|----|----|----|----|----|----|----|-----|-----|-----|--|--|
| | | 20 | 30 | 40 | 50 | 60 | 70 | 80 | 90 | 100 | 110 | 121 | | |
| QUICK-SCREEN CLIP SPACING (IN) ^{1, 2, 3} | 16" | Wood | | | | | | | | | | | | |
| | | 16ga | | | | | | | | | | | | |
| | | 18ga | | | | | | | | | | | | |
| | | 20ga | | | | | | | | | | | | |
| | 24" | Wood | | | | | | | | | | | | |
| | | 16ga | | | | | | | | | | | | |
| | | 18ga | | | | | | | | | | | | |
| | | 20ga | | | | | | | | | | | | |
| | 32" | Wood | | | | | | | | | | | | |
| | | 16ga | | | | | | | | | | | | |
| | | 18ga | | | | | | | | | | | | |
| | | 20ga | | | | | | | | | | | | |

All testing has been performed using L/180 deflection limits

Substrate Types: Sheathed Wood-Frame Wall w/2.0 in. Ig. #8 Pan-head wood screws
 Sheathed 16ga, 50ksi Steel Stud Wall w/#8 Pan-Head Self-Drilling Screws
 Sheathed 18ga, 33ksi Steel Stud Wall w/#8 Pan-Head Self-Drilling Screws
 Sheathed 20ga, 33ksi Steel Stud Wall w/#8 Pan-Head Self-Drilling Screws

1_Spacing is from clip center to center
 2_An unfactored dead load of 1.5 psf was assumed for the cladding
 3_If fastening to every second stud, the attachment stud shall be staggered between adjacent runs of cladding

TABLE 4

| 6" PLANKS | | PSF (Factored / Ultimate) | | | | | | | | | | | | |
|---|-----|---------------------------|----|----|----|----|----|----|----|-----|-----|-----|--|--|
| | | 20 | 30 | 40 | 50 | 60 | 70 | 80 | 90 | 100 | 110 | 121 | | |
| QUICK-SCREEN CLIP SPACING (IN) ^{1, 2, 3} | 16" | Wood | | | | | | | | | | | | |
| | | 16ga | | | | | | | | | | | | |
| | | 18ga | | | | | | | | | | | | |
| | | 20ga | | | | | | | | | | | | |
| | 24" | Wood | | | | | | | | | | | | |
| | | 16ga | | | | | | | | | | | | |
| | | 18ga | | | | | | | | | | | | |
| | | 20ga | | | | | | | | | | | | |
| | 32" | Wood | | | | | | | | | | | | |
| | | 16ga | | | | | | | | | | | | |
| | | 18ga | | | | | | | | | | | | |
| | | 20ga | | | | | | | | | | | | |

All testing has been performed using L/180 deflection limits

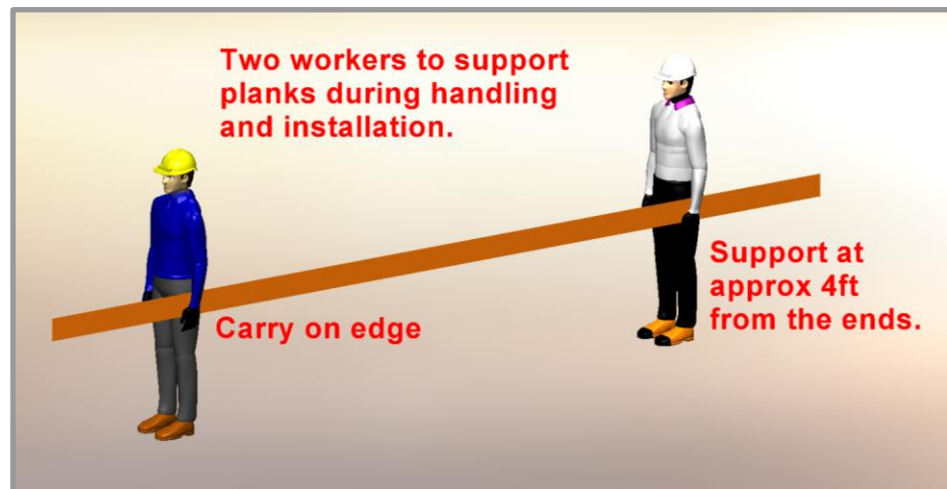
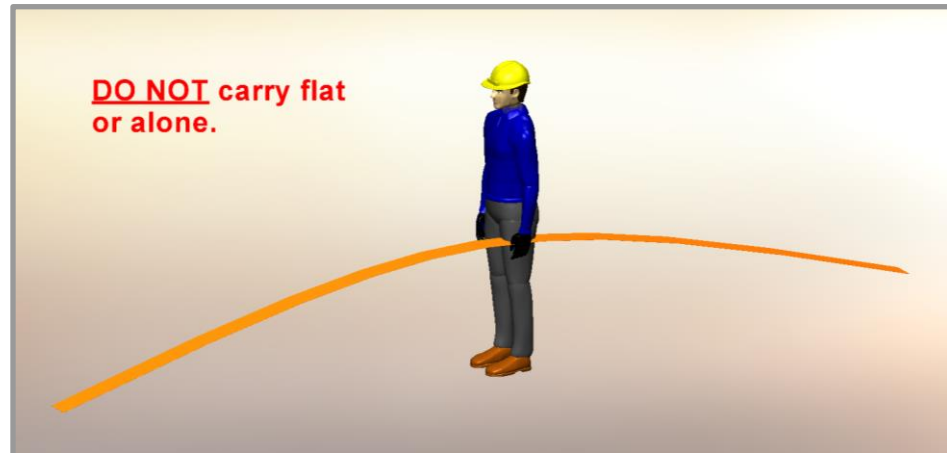
Substrate Types: Sheathed Wood-Frame Wall w/2.0 in. Ig. #8 Pan-head wood screws
 Sheathed 16ga, 50ksi Steel Stud Wall w/#8 Pan-Head Self-Drilling Screws
 Sheathed 18ga, 33ksi Steel Stud Wall w/#8 Pan-Head Self-Drilling Screws
 Sheathed 20ga, 33ksi Steel Stud Wall w/#8 Pan-Head Self-Drilling Screws

1_Spacing is from clip center to center
 2_An unfactored dead load of 1.5 psf was assumed for the cladding
 3_If fastening to every second stud, the attachment stud shall be staggered between adjacent runs of cladding

Proper Handling of Longboard Products



To help avoid injury and product damage, Longboard products require proper handling to and from storage areas during installation. When carrying or installing any products it is recommended that they be moved or carried by at least two people with each support point approximately 4ft from the ends. **Carrying products without proper support can cause excessive bending which may damage the appearance or finish of the product.** Any short cut lengths should also be carried on edge while supporting the material. See below for details.



⚠️ Delivery, Storage & Handling ⚠️

- Always inspect the delivery for damage and contact LB ASAP if there are any issues: info@longboardproducts.com or 1-800-604-0343 and include your PO# and any pictures if possible. Longboard is not responsible for the installation of blemished or damaged material.
- Be sure to store the material flat, keep it dry, safe & secure and remain in unopened cartons until ready to be installed.
- Always wear appropriate PPE when handling products.

BLANK PAGE



Longboard Architectural Products Inc.
© Longboard Architectural Products Inc. All rights reserved.

Longboard® is a registered trademark of Longboard Architectural Products Inc.

Longboard
1777 Clearbrook Road
Abbotsford, BC V2T 8X8
Canada
longboardproducts.com

Every effort has been made to ensure that the information in these installation guidelines is accurate. Longboard is not responsible for printing or clerical errors.

For more information, contact client care at info@longboardproducts.com or call toll free 1-800-604-0343.



Tongue & Groove Systems

V-Groove Planks

* 48 sq. ft. box quantities † 96 sq. ft. box quantities

| Size | 12' * | 24' † | 12' Perf * | 24' Perf † |
|------|--------|--------|------------|------------|
| 2½" | 3V.145 | - | 3VP.145 | - |
| 4" | 4V.145 | 4V.289 | - | - |
| 6" | 6V.145 | 6V.289 | 6VP.145 | 6VP.289 |

Smooth Planks

| Size | 12' * | 24' † | 12' Perf * | 24' Perf † |
|------|----------|----------|------------|------------|
| 6" | 6PSP.145 | 6PSP.289 | 6PSPP.145 | 6PSPP.289 |

Channel Planks

| Size | 12' * | 24' † | 12' Perf * | 24' Perf † |
|------|---------|---------|------------|------------|
| 6" | 6CH.145 | 6CH.289 | - | - |

Bevel Planks

| Size | 12' * | 24' † | 12' Perf * | 24' Perf † |
|-----------|---------|---------|------------|------------|
| 6" Single | 6SB.145 | 6SB.289 | - | - |
| 6" Triple | 6TB.145 | 6TB.289 | - | - |

Castellation Planks

| Size | 12' * | 24' † | 12' Perf * | 24' Perf † |
|------|---------|---------|------------|------------|
| 4" | 4CA.145 | 4CA.289 | - | - |
| 8" | 8CA.145 | 8CA.289 | - | - |

Trim Components

| Type | Style | Product | Dimensions | SKU |
|--------------------|-------------|--|----------------|------------|
| Starter | Precision | Starter J-Track | (5/8") - 12' | 1SJT.145 |
| Starter | Traditional | Starter Strip | (1-7/8") - 12' | 2SS.145 |
| Starter | Traditional | Back-to-Back Starter Strip | (1-1/4") | 2BTBSS.145 |
| J-Track | Precision | Two Piece J-Track | (5/8") - 12' | 1X1JT.145 |
| J-Track | Precision | J-Track | (5/8") - 12' | 1JT.145 |
| J-Track | Craftsman | J-Track | (7/8") - 12' | JT23.145 |
| J-Track | Craftsman | Two Piece J-Track | (7/8") - 12' | JT23S.145 |
| J-Track | Traditional | Two Piece J-Track | (1-3/8") - 12' | 1X2JT.145 |
| Corner | Precision | Outside Corner | (3/16") - 12' | 05OC.145 |
| Corner | Craftsman | Inside Corner | (3/4") - 12' | 1IC.145 |
| Corner | Craftsman | Outside Corner | (1") - 12' | 1OC.145 |
| Corner | Traditional | Corner Set | (2") - 12' | 2CORS.145 |
| Corner | Traditional | 3" Smooth | (3") - 24' | 3SCP.289 |
| Corner | Traditional | 3" V-Groove | (3") - 24' | 3SVP.289 |
| Reveal | Precision | Flat Reveal | (1/2") - 12' | 1FR.145 |
| Reveal | Precision | T&G Flat Reveal | (1/2") - 24' | 1TGFR.289 |
| Reveal | Craftsman | U-Reveal Set | (3/4") - 12' | 1URS.145 |
| Reveal | Craftsman | T&G U-Reveal | (3/4) - 24' | 1TGURK.289 |
| Reveal | Traditional | U-Reveal Set | (1-1/2") - 12' | 2URS.145 |
| Reveal | Traditional | Flat Reveal Set | (1-1/2") - 12' | 2FRS.145 |
| Reveal | Traditional | T&G U-Reveal | (1 1/2") - 24' | 2TGURK.289 |
| Reveal | Traditional | Offset Flat Reveal Set, J-Track Base | (2") - 12' | 2OFFJ.145 |
| Reveal | Traditional | Offset Flat Reveal Set, Termination Base | (2") - 12' | 2OFFT.145 |
| Termination | Precision | Termination Set | (5/8") - 12' | 1TS.145 |
| Termination | Craftsman | Termination Set | (7/8") - 12' | TS23S.145 |
| Termination | Traditional | Termination Set | (1-3/8") - 12' | 2TS.145 |
| Compression Joints | Traditional | Compression Joint | (1-3/8") - 24' | 2CJ.289 |

Accessories

| Product | Qty | SKU |
|---|-----------|------------|
| Quick Screen Clips | 1750, box | CLIP.N1750 |
| Quick Screen Clips | 100, bag | CLIP.N100 |
| Touch Up Pens | N/A | TUP |
| <i>Reach out to confirm color with account manager.</i> | | |

Acoustical Soundtex® Scrim

| Size | 12' * | 24' † |
|-------------------|------------|------------|
| 6" V-Groove Plank | 6PSP.145 | 6PSP.289 |
| 6" Smooth Plank | 6PSPPA.145 | 6PSPPA.289 |



V-Groove Planks



Smooth Planks



Bevel Planks



Castellation Planks



Perforated Planks



Channel Planks



Precision Starter J-Track



Traditional Starter Strip



Traditional Back-to-Back Starter Strip



Precision Two-Piece J-Track



Precision J-Track



Craftsman J-Track



Craftsman Two Piece J-Track



Traditional Two Piece J-Track



Precision Outside Corner



Craftsman Inside Corner



Craftsman Outside Corner



Traditional Corner Set



3" Smooth Corner



3" V Groove Corner



Precision Flat Reveal



Precision T&G Flat Reveal



Craftsman U-Reveal Set



Craftsman T&G U-Reveal



Traditional U-Reveal Set



Traditional Flat Reveal Set



Traditional T&G U-Reveal



Traditional Offset Flat Reveal Set, J-Track Base



Traditional Offset Flat Reveal Set, Termination Base



Precision Termination Set



Craftsman Termination Set



Traditional Termination Set



Traditional Compression Joint

Link & Lock™ Battens

| Size | 12' | 24' | End Caps (20/box) | End Mounts (20/box) |
|------|-----------|-----------|----------------------|------------------------|
| 2" | 2X2LL.145 | 2X2LL.289 | 2LLEC.2 | 2LLEM.2 |
| 4" | 2X4LL.145 | 2X4LL.289 | 2LLEC.4 | 2LLEM.4 |
| 6" | 2X6LL.145 | 2X6LL.289 | 2LLEC.6 | 2LLEM.6 |
| 8" | 2X8LL.145 | 2X8LL.289 | 2LLEC.8 | 2LLEM.8 |

Link & Lock™ HD Battens

| | | | | |
|----|-------------|-------------|-----------|-----------|
| 4" | 2X4LLHD.145 | 2X4LLHD.289 | 2LLHDEC.4 | 2LLHDEM.4 |
| 6" | 2X6LLHD.145 | 2X6LLHD.289 | 2LLHDEC.6 | 2LLHDEM.6 |
| 8" | 2X8LLHD.145 | 2X8LLHD.289 | 2LLHDEC.8 | 2LLHDEM.8 |

Link & Lock™ Box Battens

| | | | | |
|--------|-----------|-----------|---------|---|
| 4 x 4" | 4X4LL.145 | 4X4LL.289 | 4LLEC.4 | - |
| 4 x 6" | 4X6LL.145 | 4X6LL.289 | 4LLEC.6 | - |



Link & Lock™ Box Battens

| Mounting Accessories | Qty | SKU |
|---------------------------------------|---------|-------------|
| Link & Lock Mounting Clip | 48, bag | LLMC.N48 |
| Dewalt® 1/2" Pilot Point Drill Bit | 1 | DRILLBT.05 |
| 24" Link & Lock Internal Stiffener | 1 | LLSTIFF.289 |
| 3M® Double Sided Adhesive Tape - 108' | 1, roll | LLTAPE.1296 |



Link & Lock™ Batten

Link & Lock™ HD Batten

Link & Lock™ Mounting Brackets

| Product | Single | Dual |
|--------------------|------------|------------|
| 45° LEFT FIXED | LLMBK.45LF | LLMDK.45LF |
| 45° RIGHT FIXED | LLMBK.45RF | LLMDK.45RF |
| 90° CENTER FIXED | LLMBK.90F | LLMDK.90F |
| 45° LEFT SLIDING | LLMBK.45LS | LLMDK.45LS |
| 45° RIGHT SLIDING | LLMBK.45RS | LLMDK.45RS |
| 90° CENTER SLIDING | LLMBK.90S | LLMDK.90S |



Single

Dual

Link & Lock™ Mounting Brackets

Privacy Beam System

| Size | Product | 24' | End Caps (20/box) |
|------|--------------|-----------|----------------------|
| 1x3" | Privacy Beam | 1X3B.289 | 1BEC.3 |
| 1x5" | Privacy Beam | 1X5B.289 | 1BEC.5 |
| 2x2" | Single Post | 2X2SP.289 | 2X2PC.2 |
| 2x3" | Double Post | 2X3DP.289 | 2X3PC.3 |

| Mounting Accessories | Qty | SKU |
|----------------------------|----------|------------|
| Spacer Block | 100, box | 2X2SB.N100 |
| 1" Spacer Bar Stock Length | 1 | 1X2FB.145 |
| 1x3" Spacer Bar | 100, box | 1X2FB.1 |
| 1x5" Spacer Bar | 100, box | 1X2FB.3 |
| 3" Mounting Bracket | 100, box | 3PSMB.1 |
| #10 Black Screws | 100, box | PECS.N100 |



Privacy Beam

Dauntless System

| Dimensions | Product | 12' | 24' | End Caps (20/box) |
|-------------|---------|-----------|-----------|----------------------|
| 1-5/8" x 4" | Beam | 2X4CB.145 | 2X4CB.289 | 2BEC.4 |
| 1-5/8" x 6" | Beam | 2X6B.145 | 2X6CB.289 | 2BEC.6 |

Hanger Bracket Mounting System

| Product | Kind | Qty | SKU |
|---------------------------|------------------|-----|------------|
| Side Rail | 24' Carrier Rail | 1 | 2CB SR.289 |
| Beam Spine Connection Top | Accessory | 1 | BSCT.6 |
| 2" Hanger Bracket | Bracket | 1 | CBHB.2 |
| 4" Hanger Bracket | Bracket | 1 | CBHB.4 |
| 6" Hanger Bracket | Bracket | 1 | CBHB.6 |
| 8" Hanger Bracket | Bracket | 1 | CBHB.8 |
| 10" Hanger Bracket | Bracket | 1 | CBHB.10 |
| 12" Hanger Bracket | Bracket | 1 | CBHB.12 |

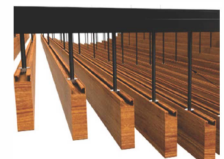
Clip Mounting System

| Product | Kind | Qty | SKU |
|---------------------------|------------------|---------|----------|
| Single Rail ^A | 24' Carrier Rail | 1 | CBR.289 |
| Double Rail ^A | 24' Carrier Rail | 1 | CBDR.289 |
| 1-1/2" Single Hanger Clip | Clip | 20, box | HCS.2 |
| 3" Hanger Clip | Clip | 20, box | HC.3 |
| Eye Bolt with T-Nuts | Attachment | 20, box | CBEB.N20 |

^AIncludes 7 Eye-Bolts with T-Nuts



Clip Assembly



Hanger Bracket Assembly

Finishes

Woodgrains

| Woodgrain | 15 Year Finish Warranty | 20 Year Finish Warranty |
|------------------------------|-------------------------------|-------------------------------|
| Beechwood | 15BEE | - |
| Black Oak | 15BKO | - |
| Birchwood | 15BWD | - |
| Blonde Oak | 15BOK | - |
| Burnt Cherry | 15BCY | - |
| Dark Acacia | 15DAC | 20DAC |
| Dark Antique Oak | 15DAO | - |
| Dark Bamboo | 15DBB | 20DBB |
| Dark Cherry | 15DCY | 20DCY |
| Dark Fir | 15DFR | 20DFR |
| Dark Knotty Pine | 15DKP | 20DKP |
| Dark National Walnut | 15DNW | 20DNW |
| Dark Olive | 15DOL | - |
| Dark Walnut | 15DWL | - |
| Driftwood | 15DWO | - |
| Grey Douglas Fir | 15GDF | - |
| Grey Hemlock | 15GHL | - |
| Italian Rosewood | 15IRW | 20IRW |
| Light Bamboo | 15LBB | 20LBB |
| Light Cherry | 15LCY | - |
| Light Fir | 15LFR | 20LFR |
| Light National Walnut | 15LNW | - |
| Light Oak | 15LOK | - |
| Light Olive | 15LOL | - |
| National Mahogany | 15NMH | 20NMH |
| Southern Yellow Pine | 15SYP | - |
| Table Walnut | 15TWL | 20LFR |
| Western Cedar | 15WCD | - |
| White Oak | 15WOK | - |

Solid & Specialty

| Solid & Specialty | 15 Year Finish Warranty | 20 Year Finish Warranty |
|-----------------------|-------------------------------|-------------------------------|
| Anodic Ice | 15AIC | 20AIC |
| Biscotti | 15BIS | 20BIS |
| Black | 15BLA | 20BLA |
| Bone White | 15BWH | 20BWH |
| Brick Red | 15BRD | 20BRD |
| Burnt Sienna | 15BSN | 20BSN |
| Canyon Vista | 15CVI | 20CVI |
| Ceramic Clay | 15CCL | 20CCL |
| Charcoal | 15CHA | 20CHA |
| Chili Pepper | 15CHP | 20CHP |
| Classic Bronze | 15CBZ | 20CBZ |
| Copper Penny | 15CPE | 20CPE |
| Dark Brown | 15DBR | 20DBR |
| Graphite | 15GRA | 20GRA |
| Medium Blue | 15MBL | 20MBL |
| Moonstone | 15MOO | 20MOO |
| Old Navy | 15ONA | 20ONA |
| Onyx Black | 15OBL | 20OBL |
| Platinum Ice | 15PIC | 20PIC |
| Slate Grey | 15SGR | 20SGR |
| Ultra White | 15UWH | 20UWH |
| Venus | 15VEN | 20VEN |

Naturally Aged Metals

| Naturally Aged Metals | 15 Year Finish Warranty | 20 Year Finish Warranty |
|-----------------------|-------------------------------|-------------------------------|
| Carbon Mist | 15CMI | - |
| Molten | 15MOL | - |
| Smokey Topaz | 15STO | - |
| Toasted Mocha | 15TMO | - |

Example of complete product SKU

6V.289.15DFR
(Product.Length.Finish)

Finish Options

Achieve your vision.

Whether creating a space that offers the warmth and appearance of Woodgrains, or the modern industrialized look of Naturally Aged Metals, we have a finish option for you.

Require a custom finish or color? Our experienced color-matching team can make it a reality!

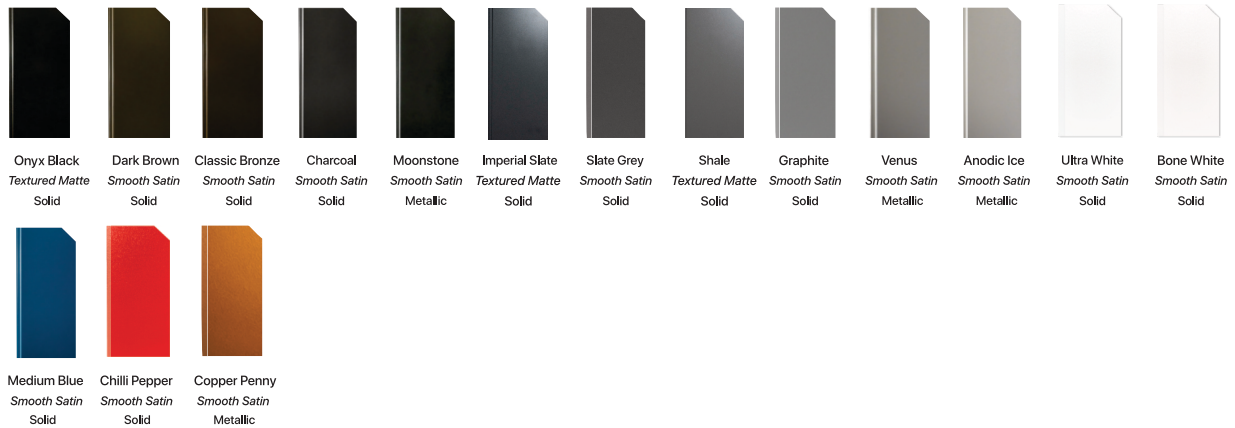
Contact us to confirm lead times for orders greater than 15k sq.ft in the Most Popular Finishes category.

Woodgrains

Longboard's woodgrain finishes have a slight texture with matte sheen.



Solid & Specialty



Longboard Finish Classification

Type: Woodgrain / Solid / Metallic / Speckle / Naturally Aged Metal
Surface: Smooth / Textured
Sheen: Matte / Satin / Glossy
Performance: AAMA 2604 / AAMA 2605
Finish Warranty: 15 Year / 20 Year

Speckle



Naturally Aged Metals



15 Year Non-Prorated Powder Coating Finish - 50 Year Non-Prorated Extruded Aluminum Profiles [Limited Warranty]
Warranty granted to (building owner):

Longboard Architectural Products Inc. ("Longboard," "The Company") products as identified by the Product Codes listed will conform to the standards set out in Clause 1 and Clause 2 of this Warranty, subject to the terms and conditions set out in Clause 3 and 4 of this Warranty.

Product codes: Product description:

| | |
|----------------|--|
| | |
| | |
| | |
| | |
| Finish: | |

| | |
|--------------------------------|--------------------|
| Install contractor | |
| Project name | |
| Project address | |
| Address 2 | Install start date |
| Date of substantial completion | |

This Pinnacle Warranty is only valid for applications within Canada and USA. All applications outside of Canada and USA are required to contact Longboard for assistance.

- Clause 1**
Extruded Aluminum Profile(s) with Powder Coat Finish Longboard expressly warrants that its product line is free from manufacturing defects in material or workmanship.
- 1.1 When product is applied according to Longboard Instructions and properly maintained, such product is guaranteed against the following:
 - 1.2 Buckling: The product itself will be free of any buckling that is not associated with the substrate and/or structure to which the Longboard system is attached. For the purpose of this warranty, buckling shall be defined as warping of the product(s) exceeding one sixteenth of an inch out of plane per linear foot.
 - 1.3 Corrosion: When installed in normal atmospheric conditions according to Longboard Instructions and properly maintained, such product is further guaranteed against rusting and corroding. Subject to the limitations set out in Clause 3 and 4.
 - 1.4 What we will do: If, during the fifteen (15) year Limited Warranty Period on the powder coating finish, the Product is defective in material or workmanship, Longboard will, in its sole discretion, either repair or replace the defective portion of the Product.
 - 1.5 What we will do: If, during the fifteen (50) year Limited Warranty Period on the extruded aluminum profiles, the Product is defective in material or workmanship, Longboard will, in its sole discretion, either repair or replace the defective portion of the Product.
 - 1.6 After the 15th year, this Limited Warranty on the powder coated finish will expire and shall no longer be applicable.
 - 1.7 After the 50th year, this Limited Warranty on the aluminum extruded profile(s) will expire and shall no longer be applicable.
 - 1.8 Longboard replacement of the defective Product or reimbursement of this Limited Warranty is the exclusive remedy for the Covered Person for any defect in materials or workmanship. The Company will pay for all reasonable costs including material and labor as it relates to the repair and/or replacement of the defective Product.
- Clause 2**
Product Finish - AAMA 2604 Performance Specification
- 2.1 During the first fifteen (15) years of this warranty:
 - 2.2 Checking/Cracking: No visible checking or cracking of the product finish on the building.
 - 2.3 Chalking Resistance: No chalking of the product finish on the building in excess of that represented by No.8 rating based on ASTM D4214.
 - 2.4 Color Retention: No color change of the product finish on the building greater than 5 (five) CIE Lab ΔE units calculated in accordance with ASTM Z244 Section 6.3. Color change shall be measured on the exposed paint surface which has been cleaned of oil, grease, chalk, oxidized film or other contaminants, corresponding values shall be measured on the control panel.
 - 2.5 Gloss Retention: Coated surface will exhibit gloss retention of a minimum of 30% of the original. Gloss retention shall be measured on the exposed paint surface which has been cleaned of oil, grease, chalk, oxidized film or other contaminants, corresponding values shall be measured on the control panel.
- Clause 3**
- 3.1 Warranty Terms and Conditions:
 - 3.2 The "Warranty Period" for the warranties in Clause 1 shall mean the respective number of years or for as long as the Covered Person commencing on the date of substantial completion named above shall live and own the property on which the material was originally installed.
 - 3.3 Registration of the product is required within ninety (90) days from substantial completion for the warranty to be in effect. This warranty is valid for the original owner and one other subsequent owner of the structure where the product(s) have been installed.
 - 3.4 Normal atmospheric conditions exclude corrosive or aggressive atmospheres such as those contaminated with chemical fumes or other corrosive elements. The product finish is not meant for marine use on boats, ships or offshore platforms.
 - 3.5 The product finish warranties as outlined in Clause 2 shall include coverage of the finish as it relates to the impact effects from hail and woodpecker birds.
 - 3.6 Under no circumstance shall Longboard's liability under this limited warranty exceed 2.5 times the total corresponding Longboard material cost (excluding sales tax, labor and installation related costs) as noted on the original purchase invoice and paid by the Buyer for the specific project.
- Clause 4**
- 4.1 This warranty will not extend or cover:
 - 4.2 Damages to the coated metal caused by handling, shipping, processing and/or installation; or
 - 4.3 Damages to the coated metal caused by scratching or abrading after installation; or
 - 4.4 Damages to the coated metal as a result of standing water in horizontal installations.
 - 4.5 The warranty will not be applicable to damage or failure, which is caused by acts of God, falling objects, external forces, explosions, fire, riots, civil commotion, acts of war, or other such similar or dissimilar occurrences beyond The Company's control.
 - 4.6 Customer shall make available to The Company the dates of the installation of the coated metal, the maintenance records including details of washing and cleaning procedures in compliance with the cleaning requirements as stated in the Required Maintenance section of this warranty. Customers shall demonstrate that the failure of the coated metal was due to a breach of the warranty stated herein.
 - 4.7 Claims must be made in writing to Longboard within 30 days of the discovery of a problem and authorization obtained prior to beginning any repair and/or refinishing work.
- Clause 4.8**
The claimant must provide proof of coverage. Claims can be made by writing to Longboard at the Product Performance Department. After receiving such notice, The Company must be given a reasonable opportunity to inspect and verify the claim. Longboard exclusive liability under this warranty, or otherwise, will be limited to refinishing and/or repairing, at The Company's sole discretion, the defective powder coated product. The warranty on any refinished, repaired or replaced coated metal supplied hereunder shall be for the remainder of the warranty period applicable to the originally coated metal. All warranty work will be performed by a company or contractor selected by Longboard. Color variance between refinished and/or repainted product and original shall not be indicative of a defect.
- Clause 4.9**
This warranty represents the entire agreement between parties in relation to its subject matter and supersedes any previous agreement whether written or oral between the parties in relation to its subject matter. The limited warranties state the entire liability of Longboard with respect to the products covered by them. The Company shall have no liability for any incidental or consequential damages. No person is authorized to make any representation or warranty on behalf of Longboard except as expressly set forth above, and any such statement shall not be binding on The Company. Except as expressly set forth above, Longboard makes no warranty of any kind, express or implied, including, without limitation, any implied warranty of merchantability or fitness for a particular purpose. Warranties shall be the duration of the limited warranty, or such shorter duration as provided under applicable local law. These limited warranties give you specific legal rights, and you may also have other rights which vary from area to area.
- Clause 4.10**
Nothing in this warranty shall be construed as a warranty of the workmanship of any installer or as imposing on Longboard any liability for unsatisfactory performance caused by faulty workmanship in installation.
- Clause 4.11**
It's agreed all parties involved that all claims and disputes relating to this agreement that cannot be settled through negotiation will try in good faith to first settle the dispute by mediation administered by the American Arbitration Association (Construction Industry Mediation Procedures) as a prelude to mandatory binding arbitration. Such binding arbitration is to be conducted and administered by the Construction Industry Arbitration Rules of the American Arbitration Association. Both seller and purchaser agree to share equally in the costs of both mediation and arbitration and that such binding arbitration will be the sole and final remedial action.
- Clause 4.12**
Required Maintenance. Depending on the Project Environment, follow the maintenance schedule as outlined in the Longboard Care & Maintenance Guide. Use a soft sponge or cloth, water and mild detergent, non-abrasive soap with the pH range of 5-9 to clean the powder coated area of dirt, grime and other debris. Pressure washing and the use of harsh detergents or chemicals is not recommended. Include in your maintenance records the following: date, time, specific products used, name of maintenance person and their designation, maintenance company name and general condition of the powder coated finish.

I have read and agree to the terms of the Longboard® Product 15 year powder coated surface and 50 year aluminum extruded profile(s) warranty and acknowledge receipt of a copy of the Warranty Certificate.

Name of owner or contractor:

Date:

Signature:


Duly authorized on behalf of Longboard:
Name and designation:

Date:

Signature:

20 Year Non-Prorated Powder Coating Finish - 50 Year Non-Prorated Extruded Aluminum Profiles [Limited Warranty]
Warranty granted to (building owner):

Longboard Architectural Products Inc. ("Longboard," "The Company") products as identified by the Product Codes listed will conform to the standards set out in Clause 1 and Clause 2 of this Warranty, subject to the terms and conditions set out in Clause 3 and 4 of this Warranty.

Product codes: Product description:

| | |
|----------------|--|
| | |
| | |
| | |
| | |
| Finish: | |

| | |
|--------------------------------|--------------------|
| Install contractor | |
| Project name | |
| Project address | |
| Address 2 | Install start date |
| Date of substantial completion | |

This Pinnacle Warranty is only valid for applications within Canada and USA. All applications outside of Canada and USA are required to contact Longboard for assistance.

- Clause 1**
Extruded Aluminum Profile(s) with Powder Coat Finish Longboard expressly warrants that its product line is free from manufacturing defects in material or workmanship.
- 1.1 When product is applied according to Longboard Instructions and properly maintained, such product is guaranteed against the following:
 - 1.2 Buckling: The product itself will be free of any buckling that is not associated with the substrate and/or structure to which the Longboard system is attached. For the purpose of this warranty, buckling shall be defined as warping of the product(s) exceeding one sixteenth of an inch out of plane per linear foot.
 - 1.3 Corrosion: When installed in normal atmospheric conditions according to Longboard Instructions and properly maintained, such product is further guaranteed against rusting and corroding. Subject to the limitations set out in Clause 3 and 4.
 - 1.4 What we will do: If, during the fifteen (20) year Limited Warranty Period on the powder coating finish, the Product is defective in material or workmanship, Longboard will, in its sole discretion, either repair or replace the defective portion of the Product.
 - 1.5 What we will do: If, during the fifteen (50) year Limited Warranty Period on the extruded aluminum profiles, the Product is defective in material or workmanship, Longboard will, in its sole discretion, either repair or replace the defective portion of the Product.
 - 1.6 After the 20th year, this Limited Warranty on the powder coated finish will expire and shall no longer be applicable.
 - 1.7 After the 50th year, this Limited Warranty on the aluminum extruded profile(s) will expire and shall no longer be applicable.
 - 1.8 Longboard replacement of the defective Product or reimbursement of this Limited Warranty is the exclusive remedy for the Covered Person for any defect in materials or workmanship. The Company will pay for all reasonable costs including material and labor as it relates to the repair and/or replacement of the defective Product.
- Clause 2**
Product Finish - AAMA 2605 Performance Specification
- 2.1 During the first fifteen (20) years of this warranty:
 - 2.2 Checking/Cracking: No visible checking or cracking of the product finish on the building.
 - 2.3 Chalking Resistance: No chalking of the product finish on the building in excess of that represented by No.8 rating based on ASTM D4214.
 - 2.4 Color Retention: No color change of the product finish on the building greater than 5 (five) CIE Lab ΔE units calculated in accordance with ASTM 2244 Section 6.3. Color change shall be measured on the exposed paint surface which has been cleaned of oil, grease, chalk, oxidized film or other contaminants, corresponding values shall be measured on the control panel.
 - 2.5 Gloss Retention: Coated surface will exhibit gloss retention of a minimum of 50% of the original. Gloss retention shall be measured on the exposed paint surface which has been cleaned of oil, grease, chalk, oxidized film or other contaminants, corresponding values shall be measured on the control panel.
- Clause 3**
- 3.1 Warranty Terms and Conditions:
 - 3.2 The "Warranty Period" for the warranties in Clause 1 shall mean the respective number of years or for as long as the Covered Person commencing on the date of substantial completion named above shall live and own the property on which the material was originally installed.
 - 3.3 Registration of the product is required within ninety (90) days from substantial completion for the warranty to be in effect. This warranty is valid for the original owner and one other subsequent owner of the structure where the product(s) have been installed.
 - 3.4 Normal atmospheric conditions exclude corrosive or aggressive atmospheres such as those contaminated with chemical fumes or other corrosive elements. The product finish is not meant for marine use on boats, ships or offshore platforms.
 - 3.5 The product finish warranties as outlined in Clause 2 shall include coverage of the finish as it relates to the impact effects from hail and woodpecker birds.
 - 3.6 Under no circumstance shall Longboard's liability under this limited warranty exceed 2.5 times the total corresponding Longboard material cost (excluding sales tax, labor and installation related costs) as noted on the original purchase invoice and paid by the Buyer for the specific project.
- Clause 4**
- 4.1 This warranty will not extend or cover:
 - 4.2 Damages to the coated metal caused by handling, shipping, processing and/or installation; or
 - 4.3 Damages to the coated metal caused by scratching or abrading after installation; or
 - 4.4 Damages to the coated metal as a result of standing water in horizontal installations.
 - 4.5 The warranty will not be applicable to damage or failure, which is caused by acts of God, falling objects, external forces, explosions, fire, riots, civil commotion, acts of war, or other such similar or dissimilar occurrences beyond The Company's control.
 - 4.6 Customer shall make available to The Company the dates of the installation of the coated metal, the maintenance records including details of washing and cleaning procedures in compliance with the cleaning requirements as stated in the Required Maintenance section of this warranty. Customers shall demonstrate that the failure of the coated metal was due to a breach of the warranty stated herein.
 - 4.7 Claims must be made in writing to Longboard within 30 days of the discovery of a problem and authorization obtained prior to beginning any repair and/or refinishing work.
- Clause 4.8**
The claimant must provide proof of coverage. Claims can be made by writing to Longboard at the Product Performance Department. After receiving such notice, The Company must be given a reasonable opportunity to inspect and verify the claim. Longboard exclusive liability under this warranty, or otherwise, will be limited to refinishing and/or repairing, at The Company's sole discretion, the defective powder coated product. The warranty on any refinished, repaired or replaced coated metal supplied hereunder shall be for the remainder of the warranty period applicable to the originally coated metal. All warranty work will be performed by a company or contractor selected by Longboard. Color variance between refinished and/or repainted product and original shall not be indicative of a defect.
- Clause 4.9**
This warranty represents the entire agreement between parties in relation to its subject matter and supersedes any previous agreement whether written or oral between the parties in relation to its subject matter. The limited warranties state the entire liability of Longboard with respect to the products covered by them. The Company shall have no liability for any incidental or consequential damages. No person is authorized to make any representation or warranty on behalf of Longboard except as expressly set forth above, and any such statement shall not be binding on The Company. Except as expressly set forth above, Longboard makes no warranty of any kind, express or implied, including, without limitation, any implied warranty of merchantability or fitness for a particular purpose. Warranties shall be the duration of the limited warranty, or such shorter duration as provided under applicable local law. These limited warranties give you specific legal rights, and you may also have other rights which vary from area to area.
- Clause 4.10**
Nothing in this warranty shall be construed as a warranty of the workmanship of any installer or as imposing on Longboard any liability for unsatisfactory performance caused by faulty workmanship in installation.
- Clause 4.11**
It's agreed all parties involved that all claims and disputes relating to this agreement that cannot be settled through negotiation will try in good faith to first settle the dispute by mediation administered by the American Arbitration Association (Construction Industry Mediation Procedures) as a prelude to mandatory binding arbitration. Such binding arbitration is to be conducted and administered by the Construction Industry Arbitration Rules of the American Arbitration Association. Both seller and purchaser agree to share equally in the costs of both mediation and arbitration and that such binding arbitration will be the sole and final remedial action.
- Clause 4.12**
Required Maintenance. Depending on the Project Environment, follow the maintenance schedule as outlined in the Longboard Care & Maintenance Guide. Use a soft sponge or cloth, water and mild detergent, non-abrasive soap with the pH range of 5-9 to clean the powder coated area of dirt, grime and other debris. Pressure washing and the use of harsh detergents or chemicals is not recommended. Include in your maintenance records the following: date, time, specific products used, name of maintenance person and their designation, maintenance company name and general condition of the powder coated finish.

I have read and agree to the terms of the Longboard® Product 20 year powder coated surface and 50 year aluminum extruded profile(s) warranty and acknowledge receipt of a copy of the Warranty Certificate.

Name of owner or contractor:

Date:

Signature:


Duly authorized on behalf of Longboard:
Name and designation:

Date:

Signature: