

LINK & LOCK™ TYPICAL DETAILS

TABLE OF CONTENTS

(Click on the drawing name below to be directed to the right section.)

[END MOUNT DETAIL - 2" LINK & LOCK](#)

[END MOUNT DETAIL - 4" LINK & LOCK](#)

[END MOUNT DETAIL - 6" LINK & LOCK](#)

[END MOUNT DETAIL - 8" LINK & LOCK](#)

[END MOUNT FRONT DETAIL - LINK & LOCK](#)

[END MOUNT DETAIL - 4" LINK & LOCK HD](#)

[END MOUNT DETAIL - 6" LINK & LOCK HD](#)

[END MOUNT DETAIL - 8" LINK & LOCK HD](#)

[END MOUNT FRONT DETAIL - LINK & LOCK HD](#)

[BEAM APPLICATION - LINK & LOCK](#)

[BAFFLE APPLICATION - LINK & LOCK](#)

[BEAM APPLICATION - LINK & LOCK HD](#)

[BAFFLE APPLICATION - LINK & LOCK HD](#)

[4" X 4" LINK & LOCK ATTACHMENT DETAIL](#)

[4" X 6" LINK & LOCK ATTACHMENT DETAIL](#)

[BUTT-JOINT DETAIL - LINK & LOCK](#)

[LAP-JOINT DETAIL - LINK & LOCK](#)

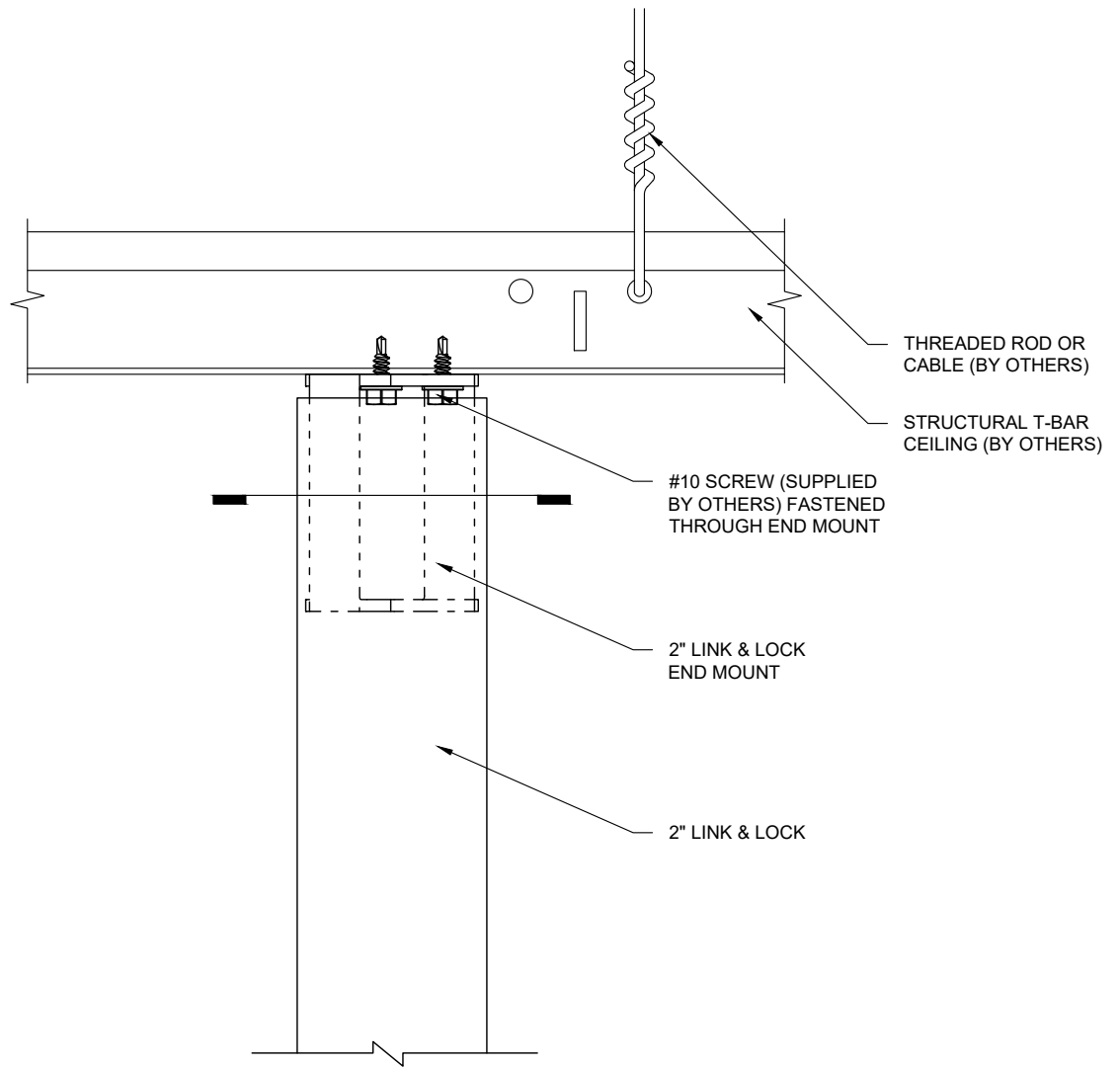
[CEILING LIGHT ATTACHMENT - LINK & LOCK](#)

[SPRINKLER ATTACHMENT - LINK & LOCK](#)

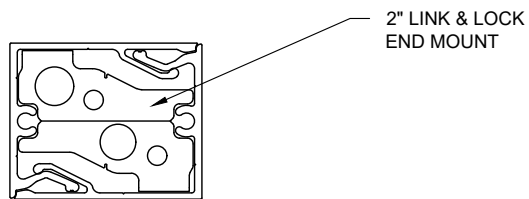
[ACCESS PANEL DETAIL - LINK & LOCK PARALLEL TO OPENING](#)

[ACCESS PANEL DETAIL - LINK & LOCK PERPENDICULAR TO OPENING](#)

[CEILING TO CLADDING TRANSITION - LINK & LOCK](#)



ELEVATION

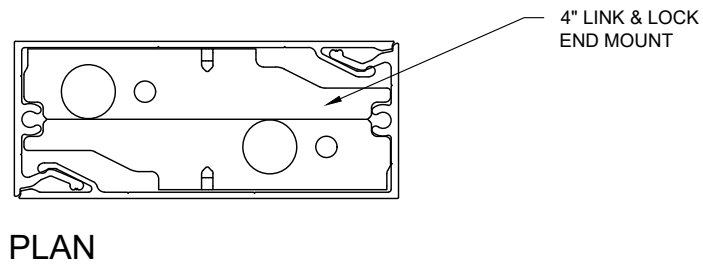
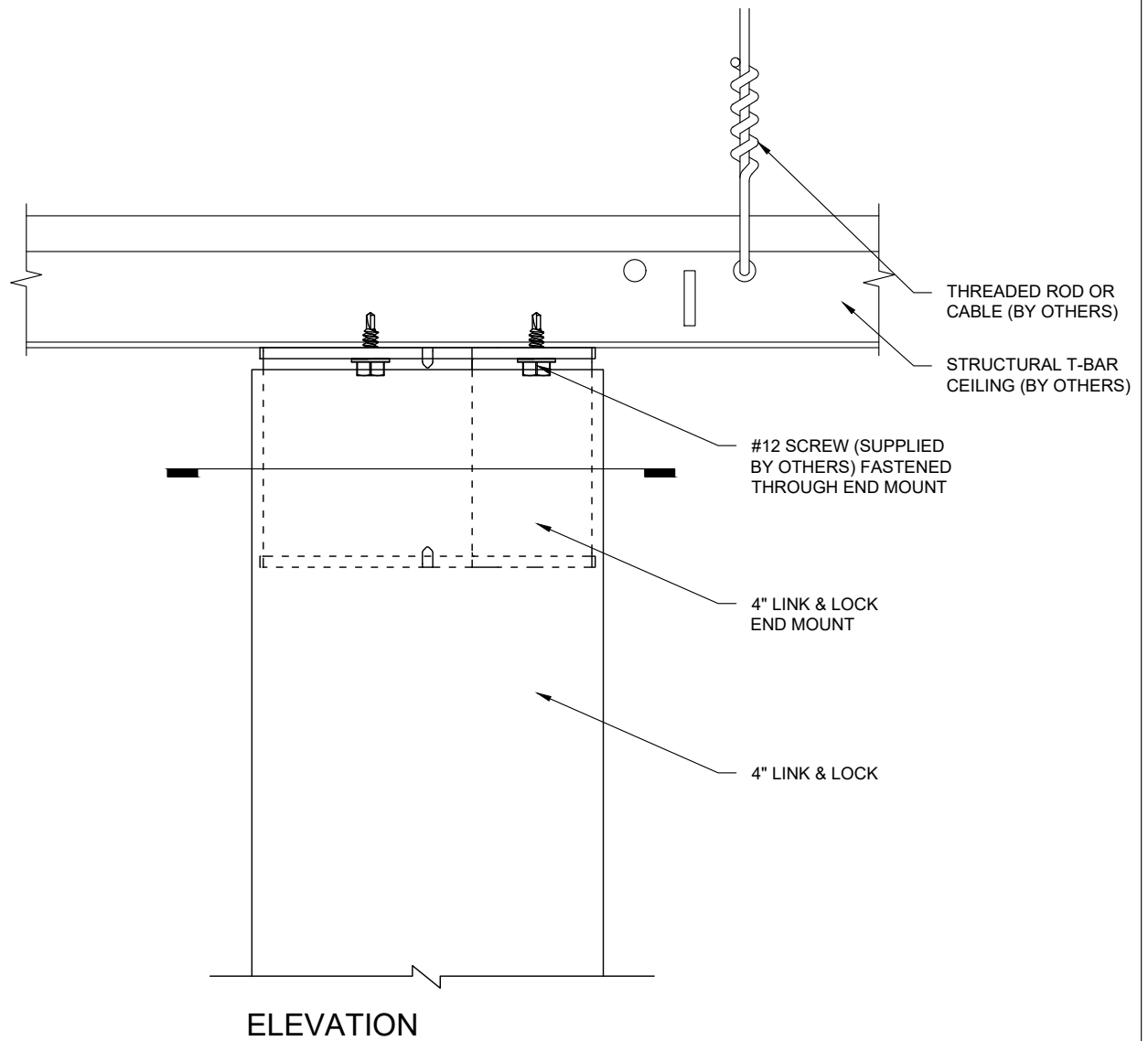


PLAN

These drawings are published as an information guide only. These CAD drawings are intended as templates to assist the designer, they do not contain the full detail required for construction and must be read in conjunction with the installation instructions on www.longboardproducts.com. You should obtain architectural, engineering or other technical advice to assess the suitability of these drawings to the requirements of your particular project. Longboard Architectural Products accepts no liability in respect to the use of these drawings. For complete installation instructions refer to the appropriate documentation here www.longboardproducts.com/resources/technical-documentation/installation-guides

END MOUNT DETAIL
 2" LINK & LOCK™
 SCALE: 1:2

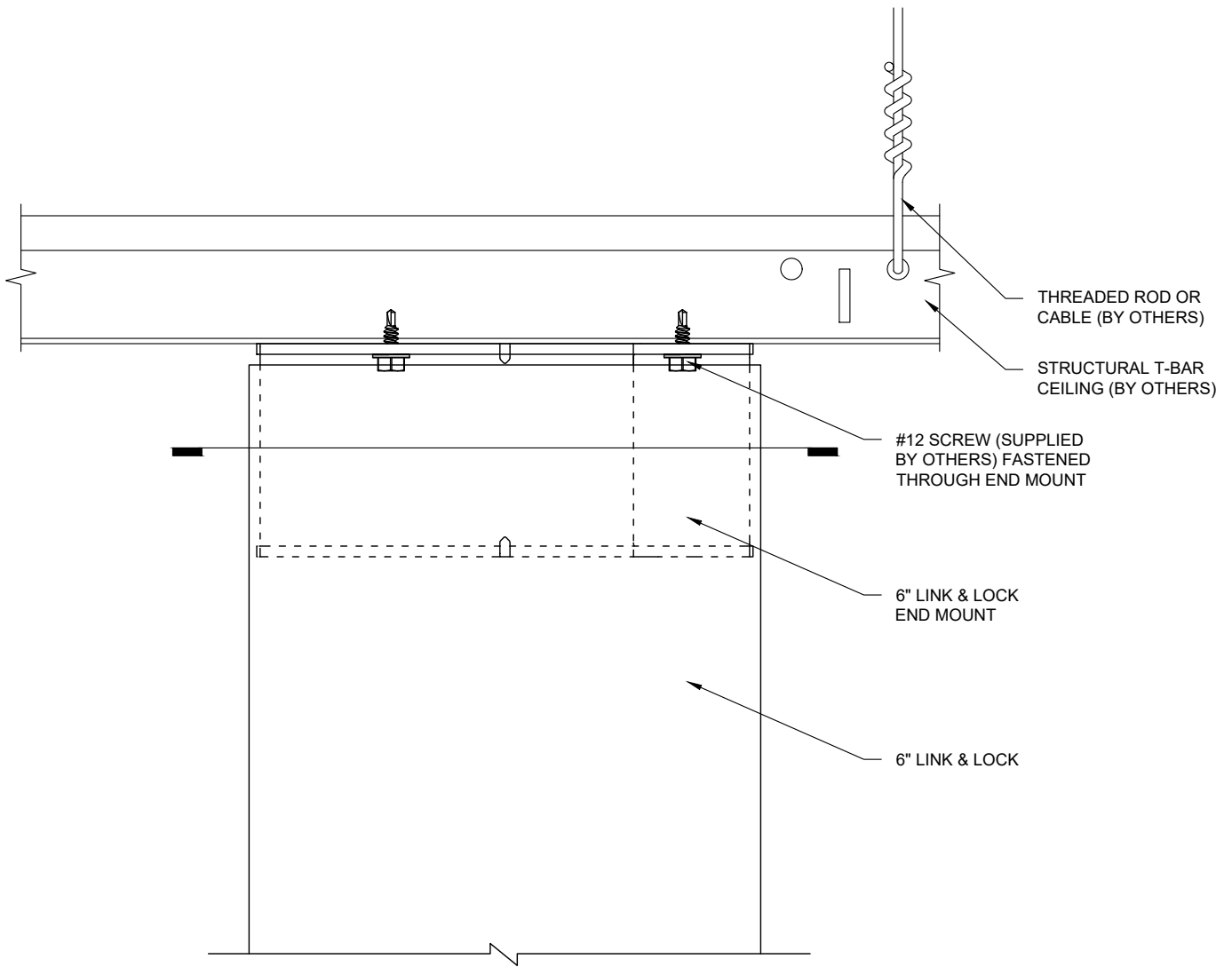




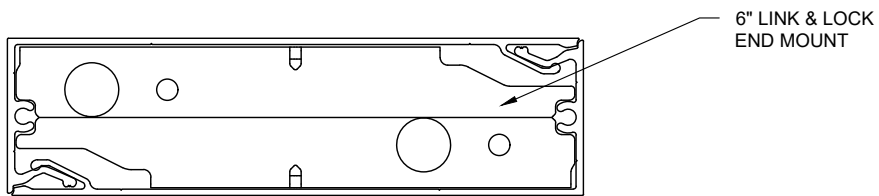
These drawings are published as an information guide only. These CAD drawings are intended as templates to assist the designer, they do not contain the full detail required for construction and must be read in conjunction with the installation instructions on www.longboardproducts.com. You should obtain architectural, engineering or other technical advice to assess the suitability of these drawings to the requirements of your particular project. Longboard Architectural Products accepts no liability in respect to the use of these drawings. For complete installation instructions refer to the appropriate documentation here www.longboardproducts.com/resources/technical-documentation/installation-guides

END MOUNT DETAIL
 4" LINK & LOCK™
 SCALE: 1:2





ELEVATION

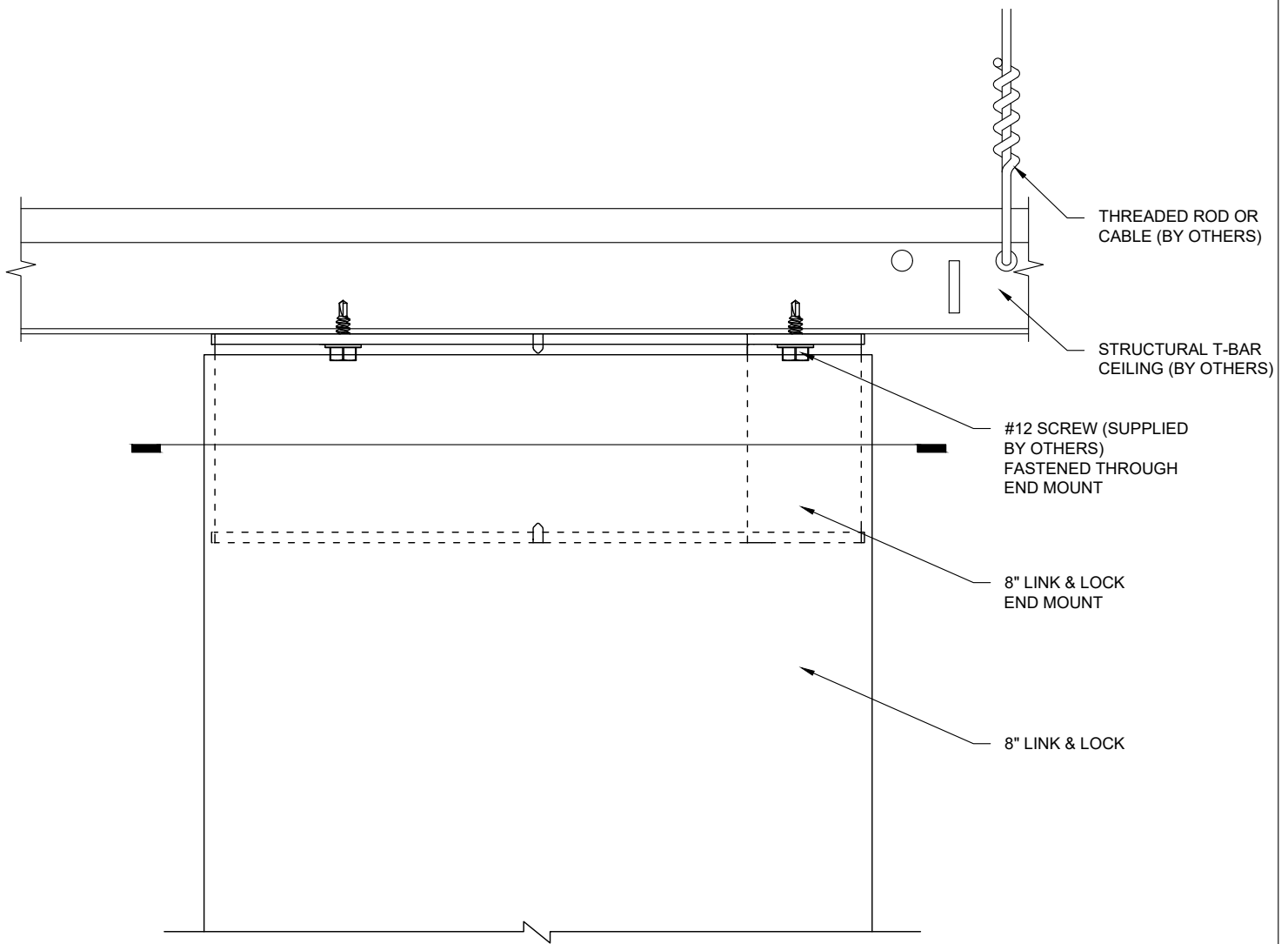


PLAN

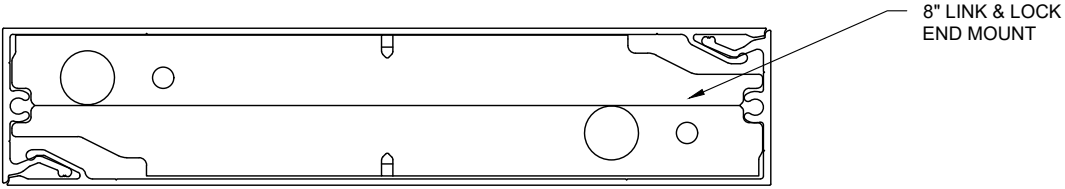
END MOUNT DETAIL
 6" LINK & LOCK™
 SCALE: 1:2



These drawings are published as an information guide only. These CAD drawings are intended as templates to assist the designer, they do not contain the full detail required for construction and must be read in conjunction with the installation instructions on www.longboardproducts.com. You should obtain architectural, engineering or other technical advice to assess the suitability of these drawings to the requirements of your particular project. Longboard Architectural Products accepts no liability in respect to the use of these drawings. For complete installation instructions refer to the appropriate documentation here www.longboardproducts.com/resources/technical-documentation/installation-guides



ELEVATION

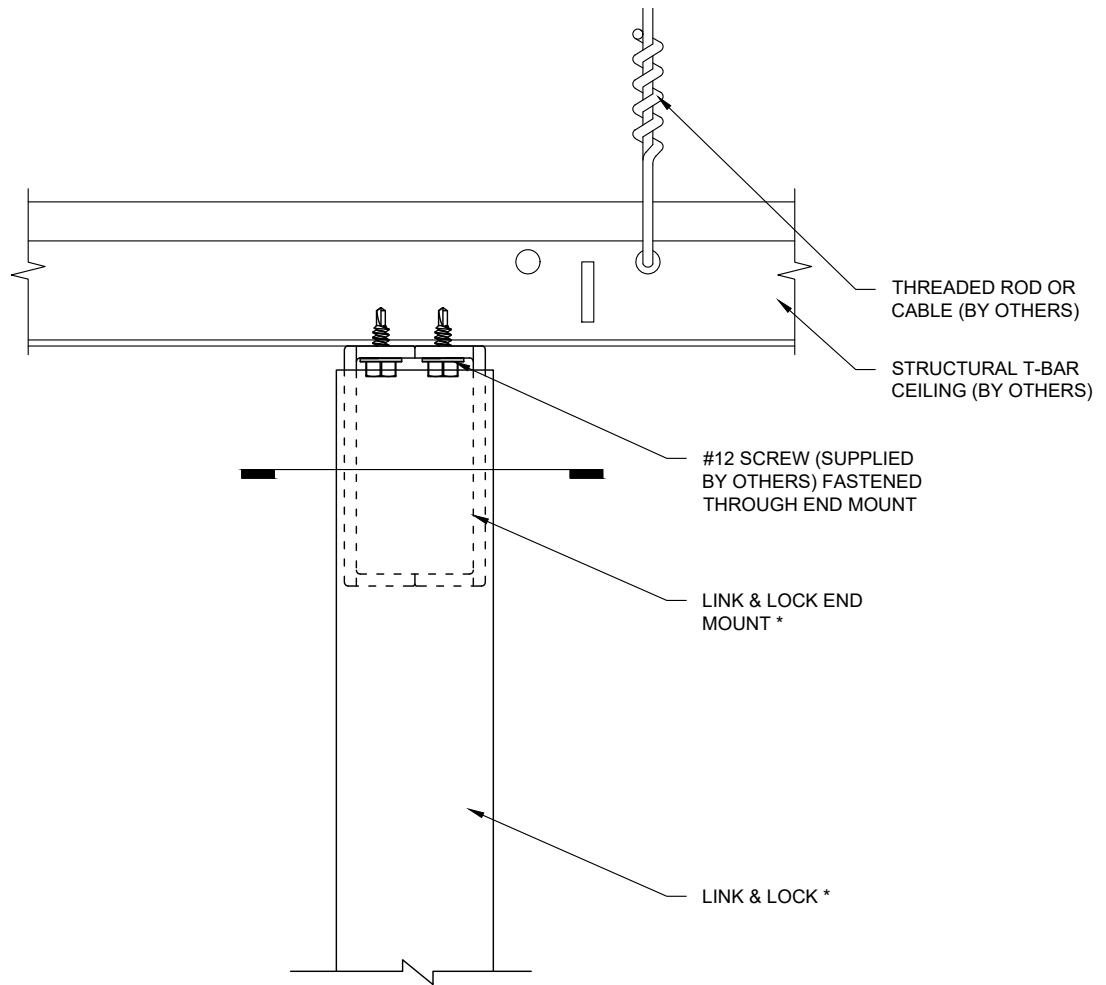


PLAN

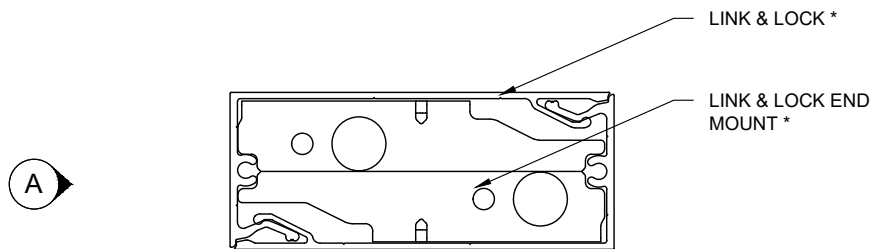
These drawings are published as an information guide only. These CAD drawings are intended as templates to assist the designer, they do not contain the full detail required for construction and must be read in conjunction with the installation instructions on www.longboardproducts.com. You should obtain architectural, engineering or other technical advice to assess the suitability of these drawings to the requirements of your particular project. Longboard Architectural Products accepts no liability in respect to the use of these drawings. For complete installation instructions refer to the appropriate documentation here www.longboardproducts.com/resources/technical-documentation/installation-guides

END MOUNT DETAIL
 8" LINK & LOCK™
 SCALE: 1:2





ELEVATION -A



PLAN

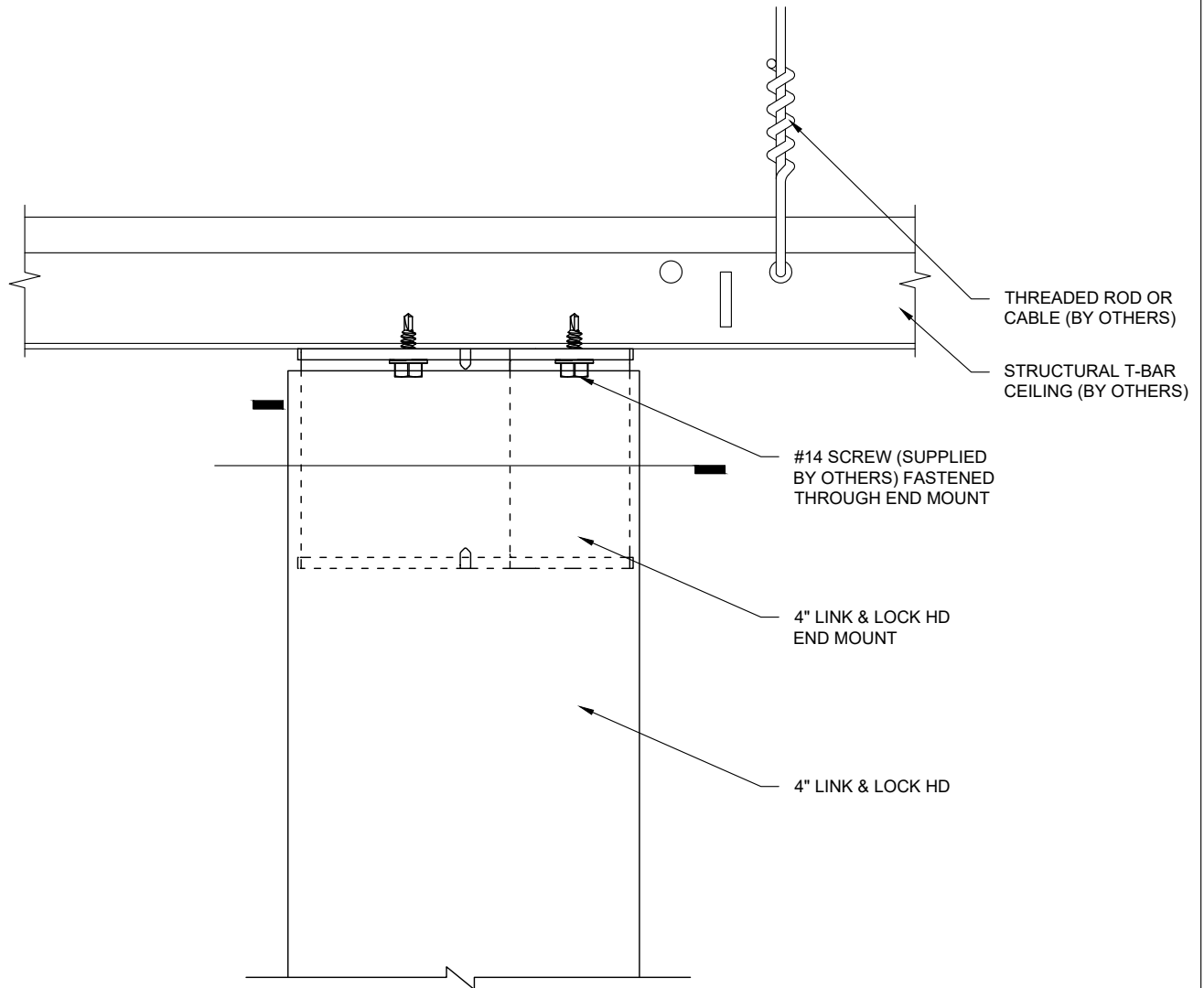
* THIS APPLICATION COULD BE TYPICAL FOR ALL LINK & LOCK END MOUNTS.

These drawings are published as an information guide only. These CAD drawings are intended as templates to assist the designer, they do not contain the full detail required for construction and must be read in conjunction with the installation instructions on www.longboardproducts.com. You should obtain architectural, engineering or other technical advice to assess the suitability of these drawings to the requirements of your particular project. Longboard Architectural Products accepts no liability in respect to the use of these drawings. For complete installation instructions refer to the appropriate documentation here www.longboardproducts.com/resources/technical-documentation/installation-guides

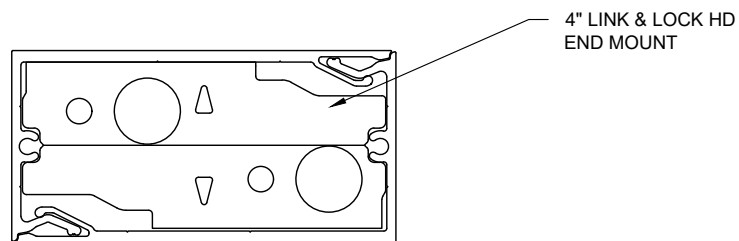
END MOUNT FRONT DETAIL
LINK & LOCK™

SCALE: 1:2





ELEVATION



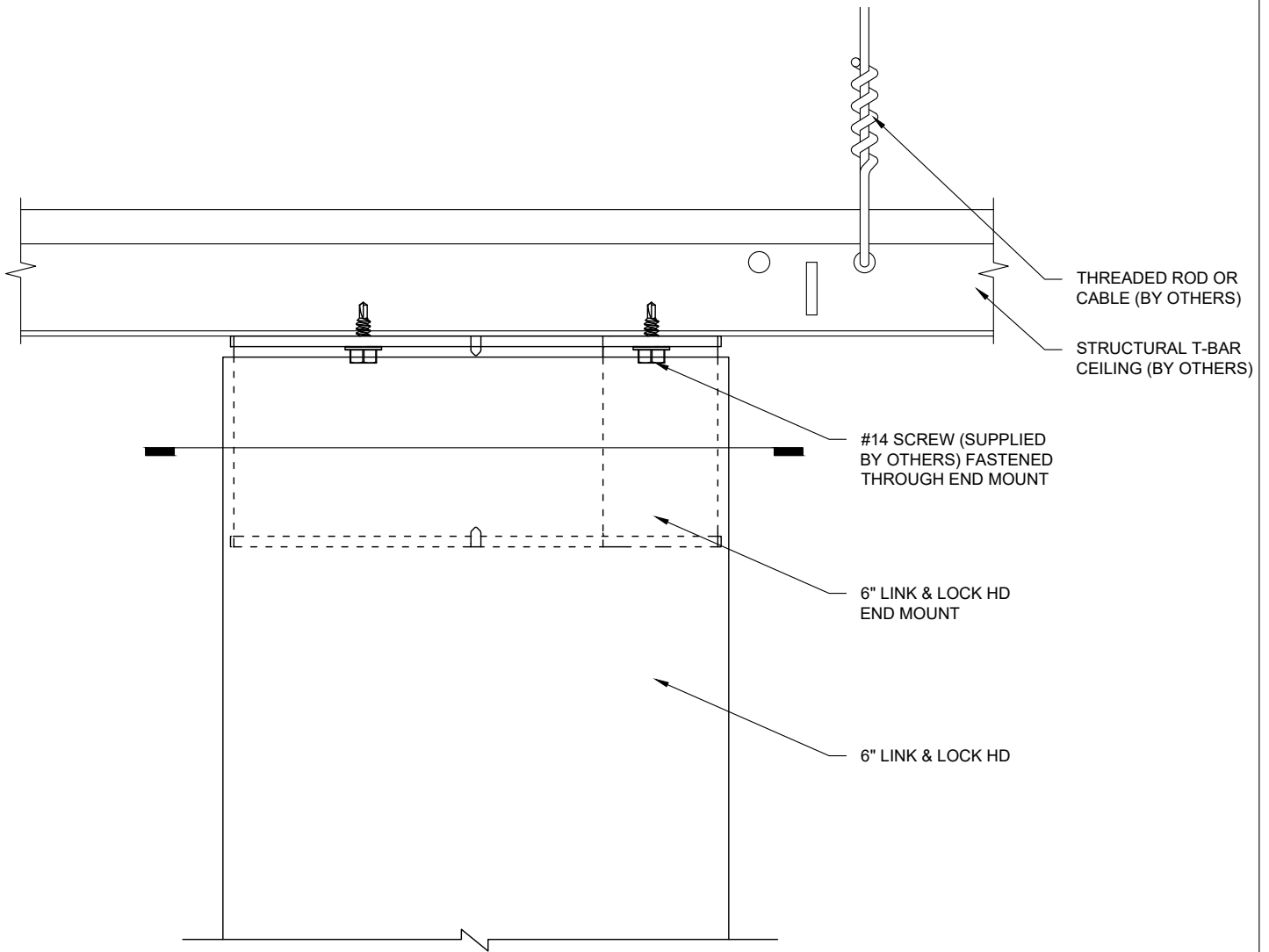
PLAN

These drawings are published as an information guide only. These CAD drawings are intended as templates to assist the designer, they do not contain the full detail required for construction and must be read in conjunction with the installation instructions on www.longboardproducts.com. You should obtain architectural, engineering or other technical advice to assess the suitability of these drawings to the requirements of your particular project. Longboard Architectural Products accepts no liability in respect to the use of these drawings. For complete installation instructions refer to the appropriate documentation here www.longboardproducts.com/resources/technical-documentation/installation-guides

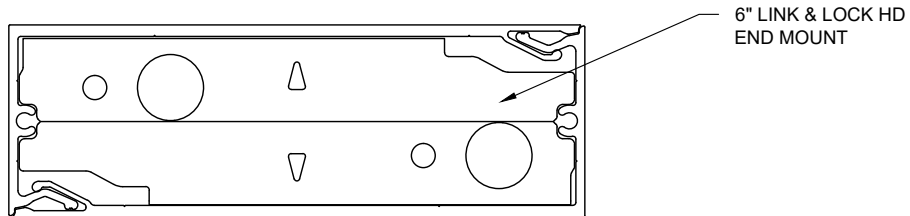
END MOUNT DETAIL
4" LINK & LOCK™ HD

SCALE: 1:2





ELEVATION



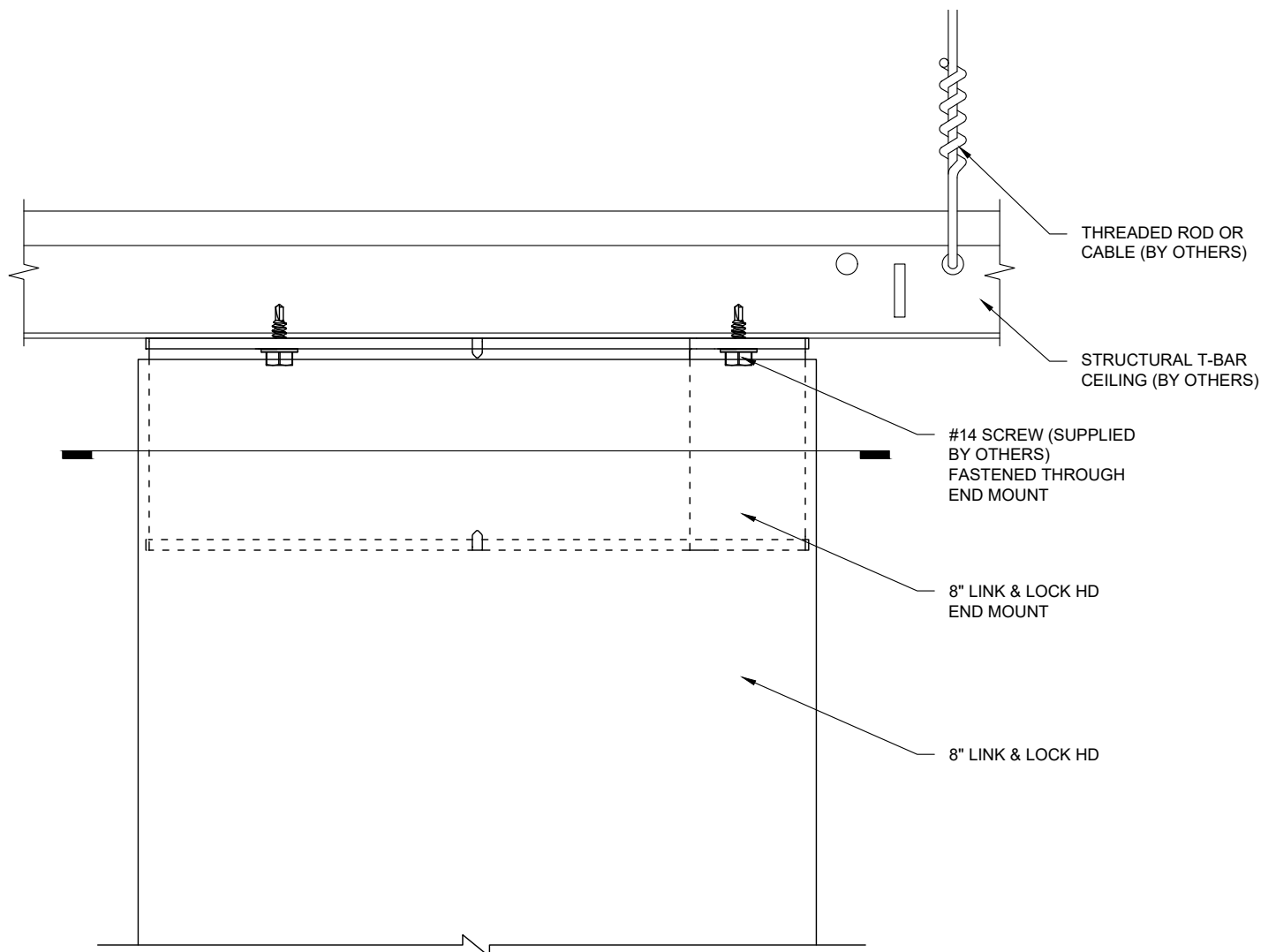
PLAN

These drawings are published as an information guide only. These CAD drawings are intended as templates to assist the designer, they do not contain the full detail required for construction and must be read in conjunction with the installation instructions on www.longboardproducts.com. You should obtain architectural, engineering or other technical advice to assess the suitability of these drawings to the requirements of your particular project. Longboard Architectural Products accepts no liability in respect to the use of these drawings. For complete installation instructions refer to the appropriate documentation here www.longboardproducts.com/resources/technical-documentation/installation-guides

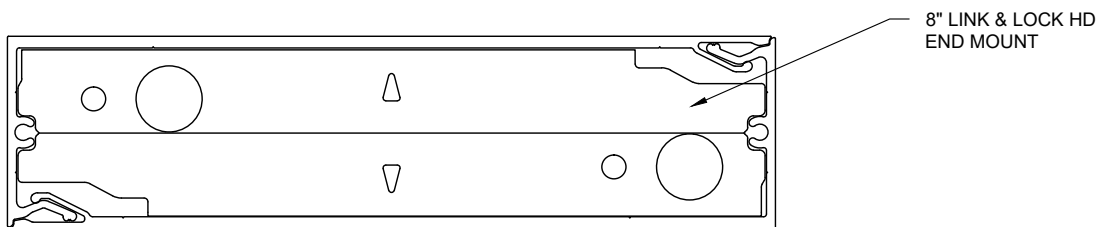
END MOUNT DETAIL
6" LINK & LOCK™ HD

SCALE: 1:2





ELEVATION

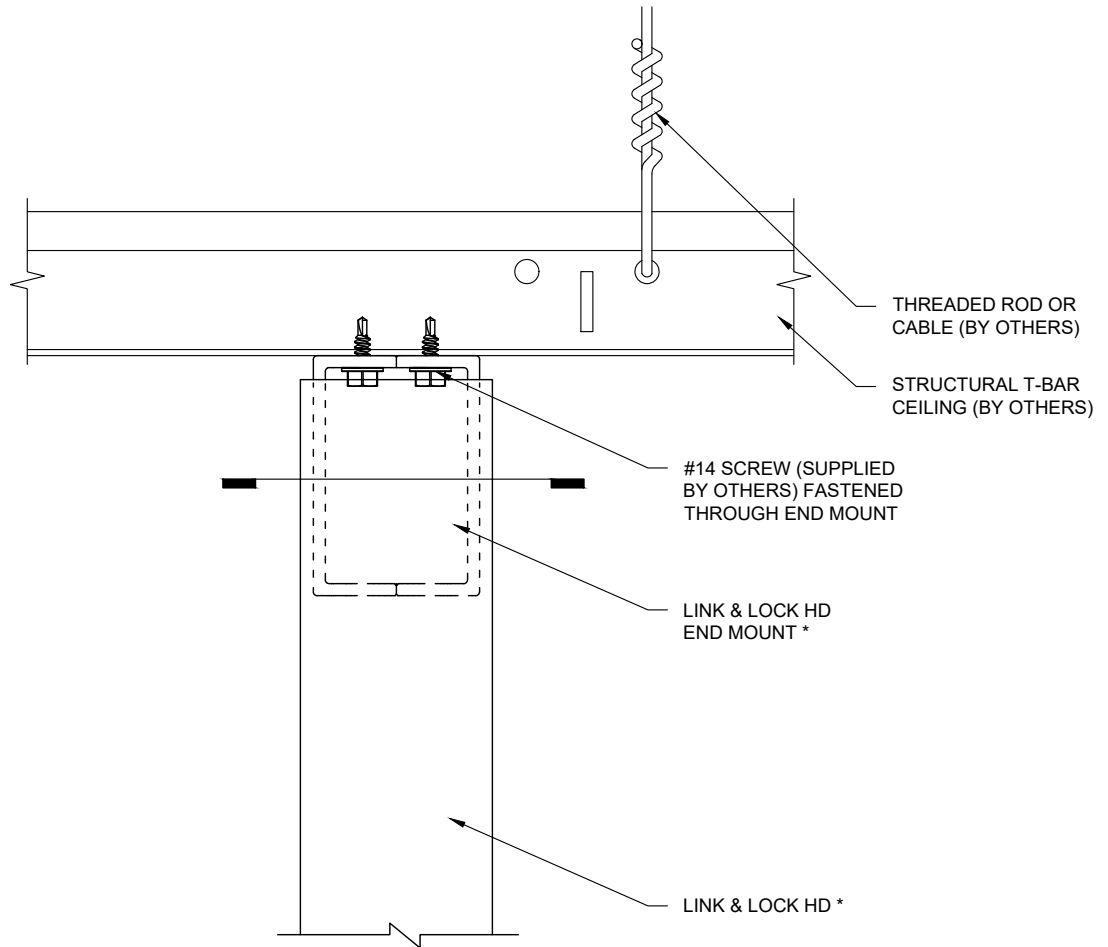


PLAN

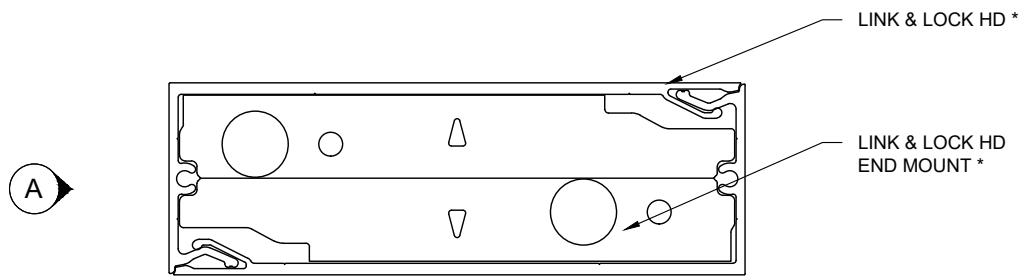
These drawings are published as an information guide only. These CAD drawings are intended as templates to assist the designer, they do not contain the full detail required for construction and must be read in conjunction with the installation instructions on www.longboardproducts.com. You should obtain architectural, engineering or other technical advice to assess the suitability of these drawings to the requirements of your particular project. Longboard Architectural Products accepts no liability in respect to the use of these drawings. For complete installation instructions refer to the appropriate documentation here www.longboardproducts.com/resources/technical-documentation/installation-guides

END MOUNT DETAIL
8" LINK & LOCK™ HD
SCALE: 1:2





ELEVATION - A



PLAN

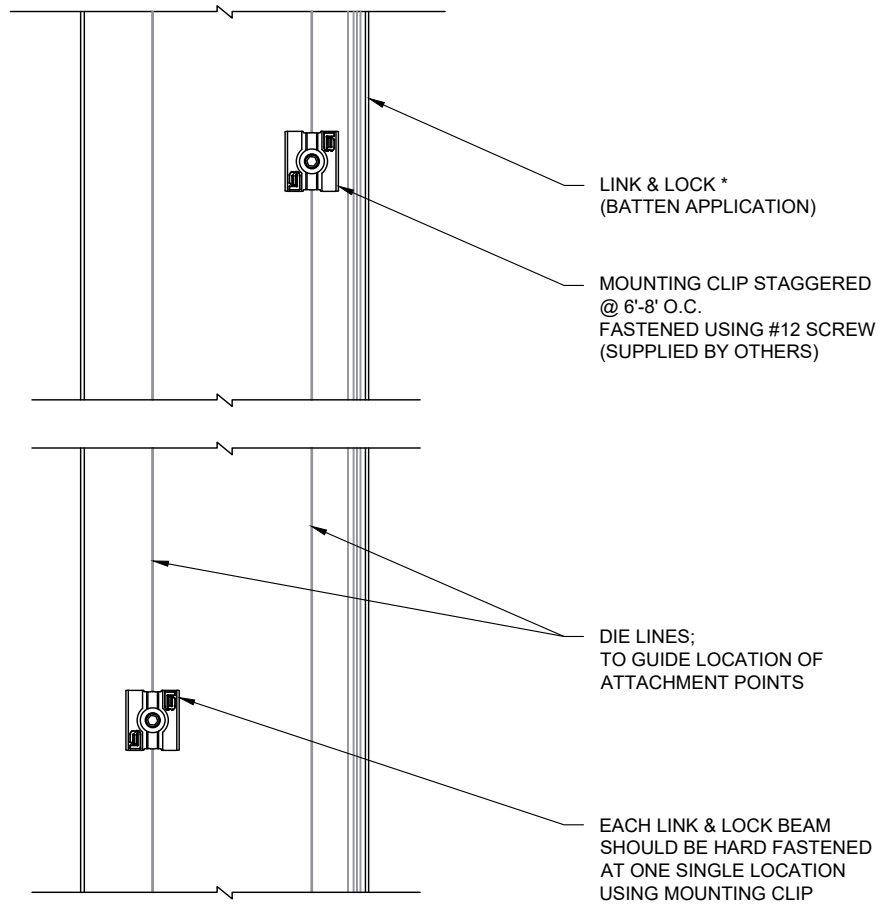
* THIS APPLICATION COULD BE TYPICAL FOR ALL LINK & LOCK HD END MOUNTS.

These drawings are published as an information guide only. These CAD drawings are intended as templates to assist the designer, they do not contain the full detail required for construction and must be read in conjunction with the installation instructions on www.longboardproducts.com. You should obtain architectural, engineering or other technical advice to assess the suitability of these drawings to the requirements of your particular project. Longboard Architectural Products accepts no liability in respect to the use of these drawings. For complete installation instructions refer to the appropriate documentation here www.longboardproducts.com/resources/technical-documentation/installation-guides

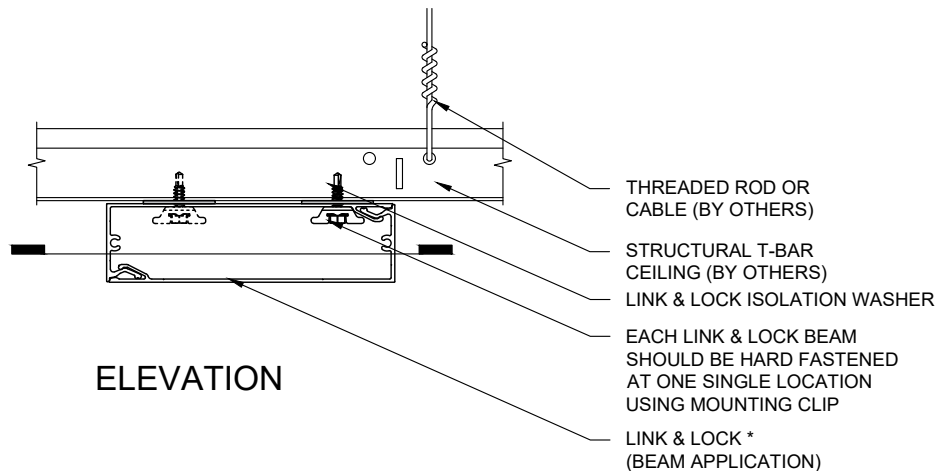
END MOUNT FRONT DETAIL
LINK & LOCK™ HD

SCALE: 1:2





SECTION



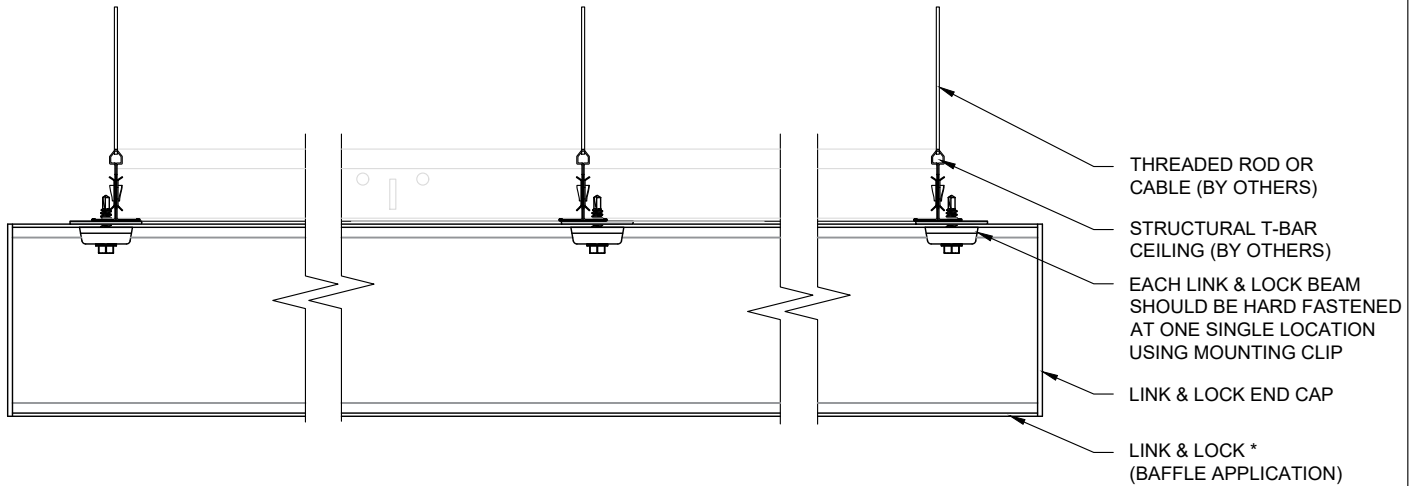
ELEVATION

* THIS APPLICATION COULD BE TYPICAL FOR ALL LINK & LOCK PROFILES.

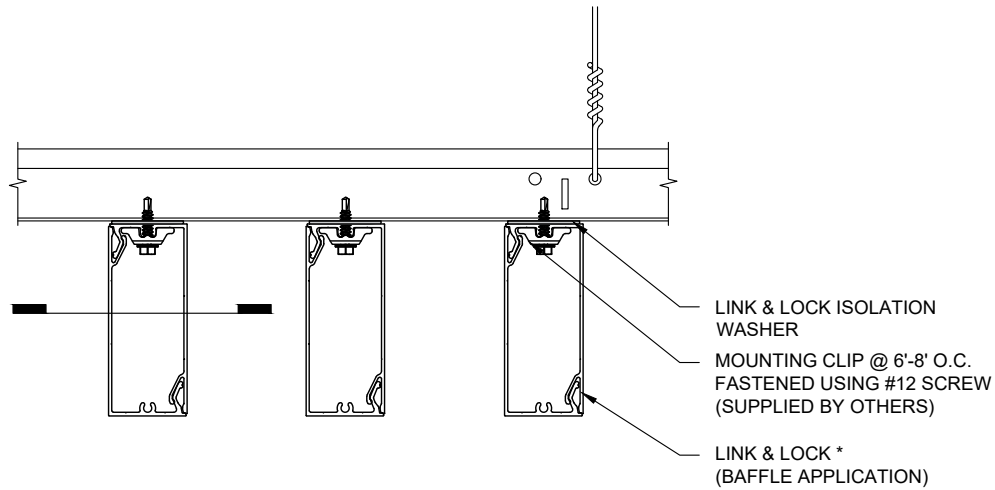
These drawings are published as an information guide only. These CAD drawings are intended as templates to assist the designer, they do not contain the full detail required for construction and must be read in conjunction with the installation instructions on www.longboardproducts.com. You should obtain architectural, engineering or other technical advice to assess the suitability of these drawings to the requirements of your particular project. Longboard Architectural Products accepts no liability in respect to the use of these drawings. For complete installation instructions refer to the appropriate documentation here www.longboardproducts.com/resources/technical-documentation/installation-guides

BEAM APPLICATION
LINK & LOCK™
SCALE: 1:4





SECTION



ELEVATION

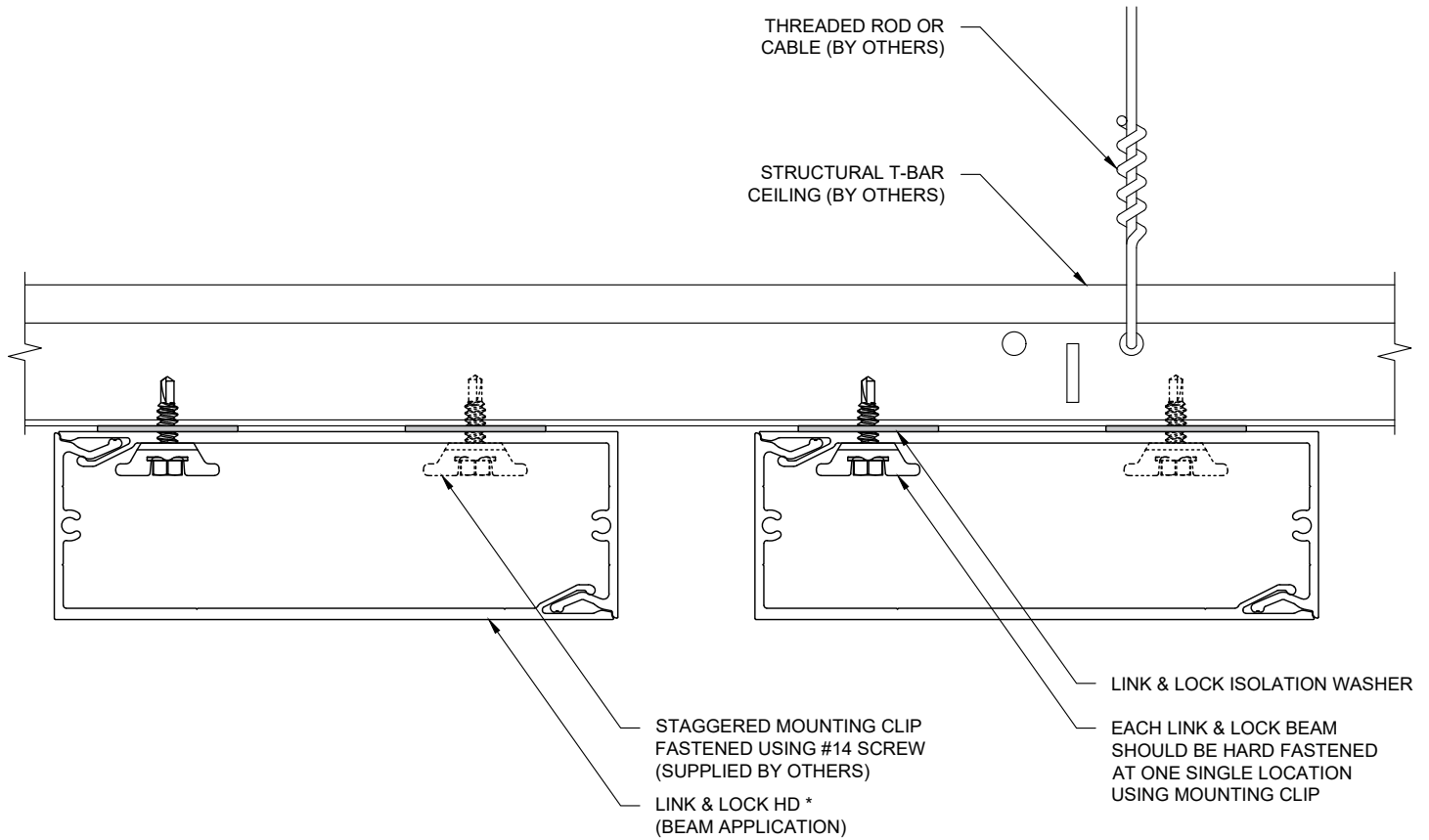
* THIS APPLICATION COULD BE TYPICAL FOR ALL LINK & LOCK PROFILES.

These drawings are published as an information guide only. These CAD drawings are intended as templates to assist the designer, they do not contain the full detail required for construction and must be read in conjunction with the installation instructions on www.longboardproducts.com. You should obtain architectural, engineering or other technical advice to assess the suitability of these drawings to the requirements of your particular project. Longboard Architectural Products accepts no liability in respect to the use of these drawings. For complete installation instructions refer to the appropriate documentation here www.longboardproducts.com/resources/technical-documentation/installation-guides

BAFFLE APPLICATION
LINK & LOCK™

SCALE: 1:4





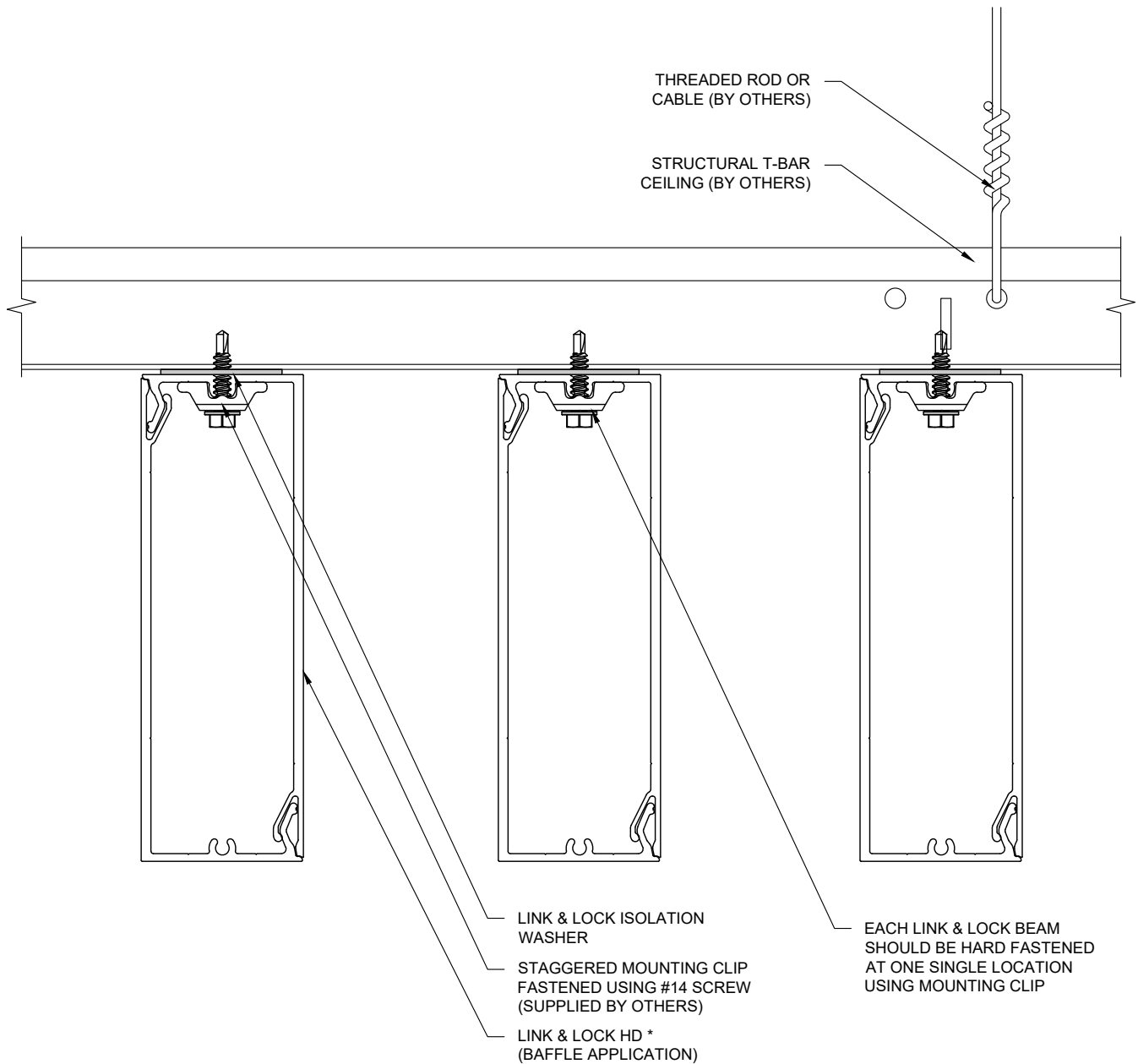
* THIS APPLICATION COULD BE TYPICAL FOR ALL LINK & LOCK HD PROFILES.

These drawings are published as an information guide only. These CAD drawings are intended as templates to assist the designer, they do not contain the full detail required for construction and must be read in conjunction with the installation instructions on www.longboardproducts.com. You should obtain architectural, engineering or other technical advice to assess the suitability of these drawings to the requirements of your particular project. Longboard Architectural Products accepts no liability in respect to the use of these drawings. For complete installation instructions refer to the appropriate documentation here www.longboardproducts.com/resources/technical-documentation/installation-guides

BEAM APPLICATION LINK & LOCK™ HD

SCALE: 1:2





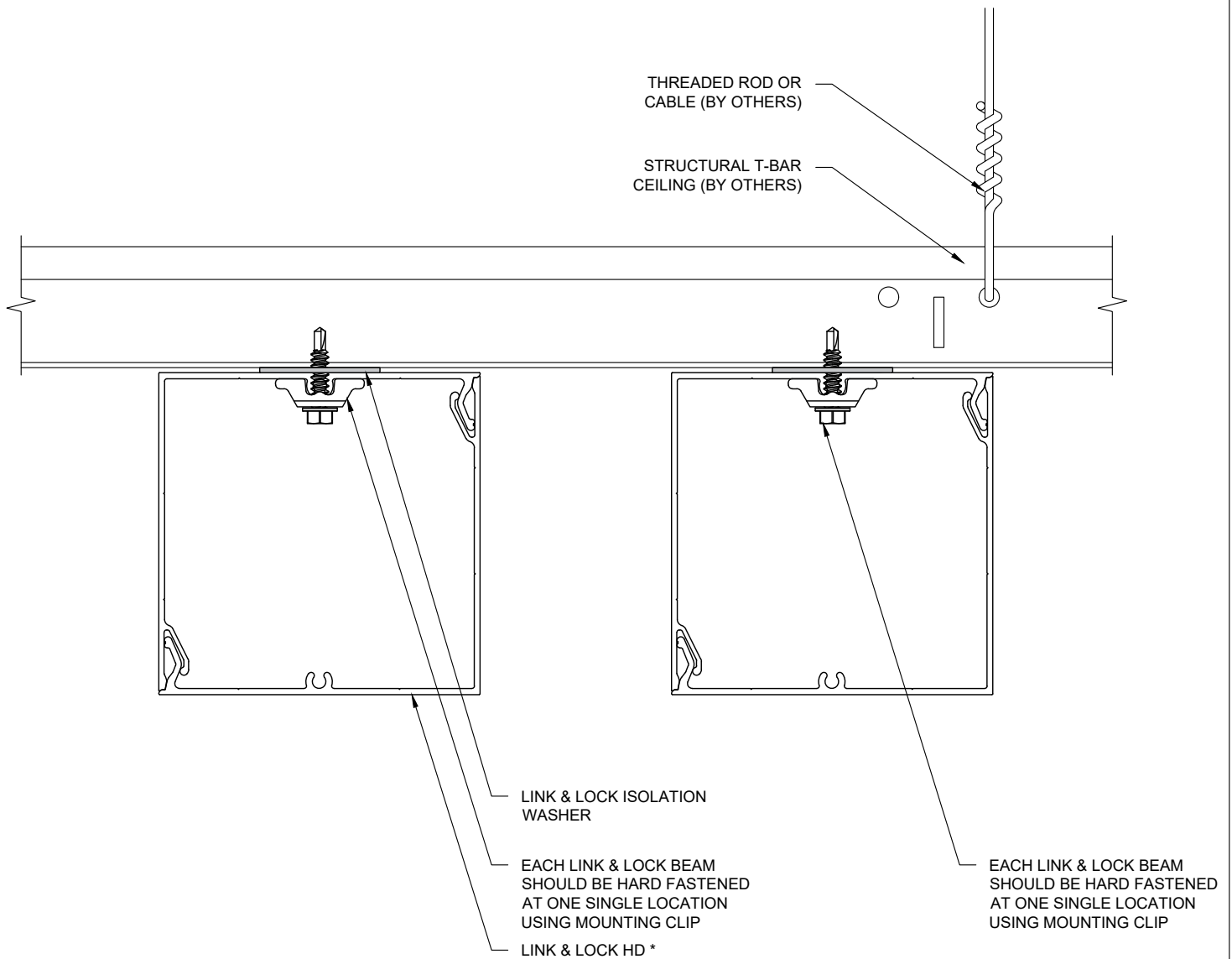
* THIS APPLICATION COULD BE TYPICAL FOR ALL LINK & LOCK HD PROFILES.

These drawings are published as an information guide only. These CAD drawings are intended as templates to assist the designer, they do not contain the full detail required for construction and must be read in conjunction with the installation instructions on www.longboardproducts.com. You should obtain architectural, engineering or other technical advice to assess the suitability of these drawings to the requirements of your particular project. Longboard Architectural Products accepts no liability in respect to the use of these drawings. For complete installation instructions refer to the appropriate documentation here www.longboardproducts.com/resources/technical-documentation/installation-guides

BAFFLE APPLICATION LINK & LOCK™ HD

SCALE: 1:2



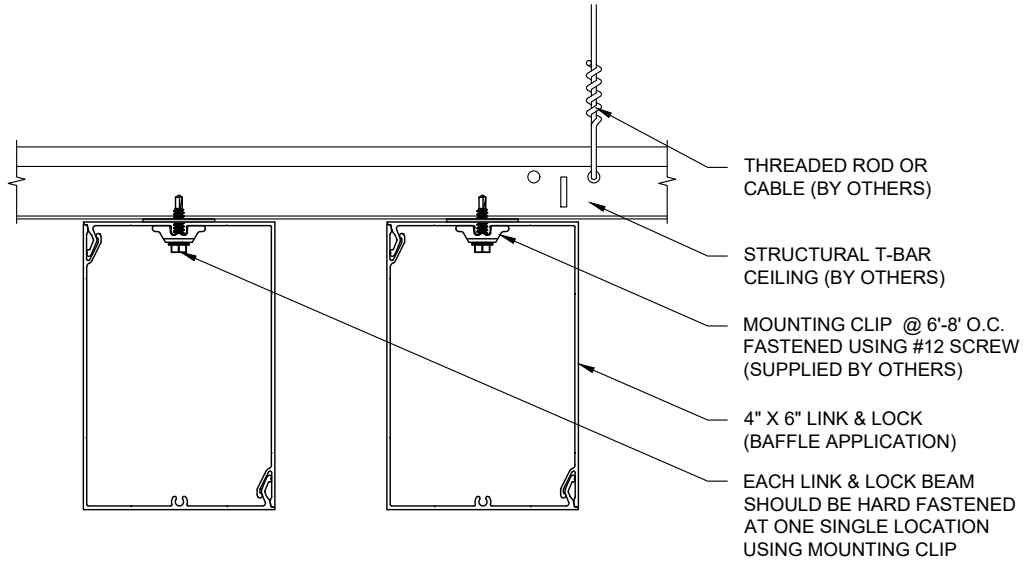


These drawings are published as an information guide only. These CAD drawings are intended as templates to assist the designer, they do not contain the full detail required for construction and must be read in conjunction with the installation instructions on www.longboardproducts.com. You should obtain architectural, engineering or other technical advice to assess the suitability of these drawings to the requirements of your particular project. Longboard Architectural Products accepts no liability in respect to the use of these drawings. For complete installation instructions refer to the appropriate documentation here www.longboardproducts.com/resources/technical-documentation/installation-guides

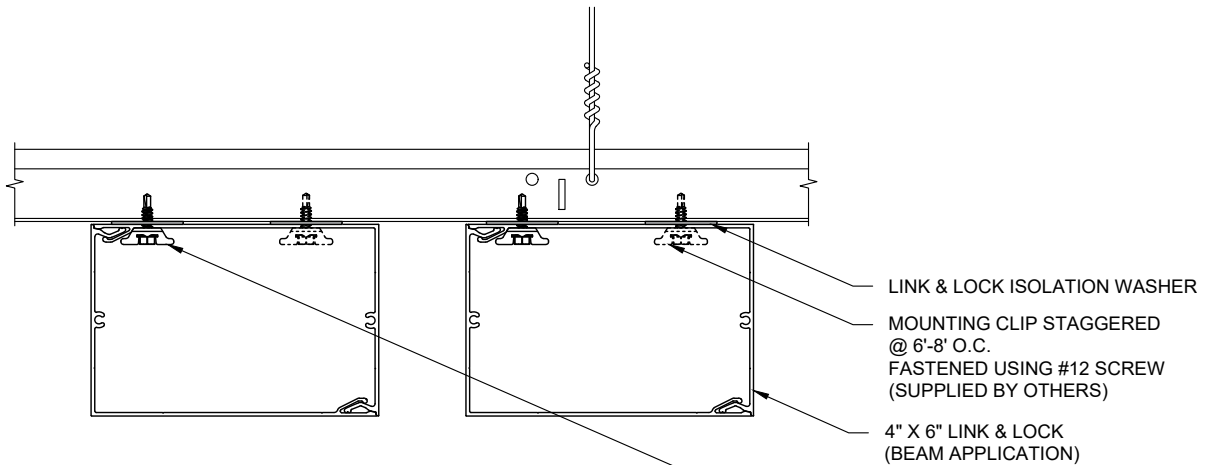
4" X 4" LINK & LOCK™ ATTACHMENT DETAIL

SCALE: 1:2





BAFFLE APPLICATION



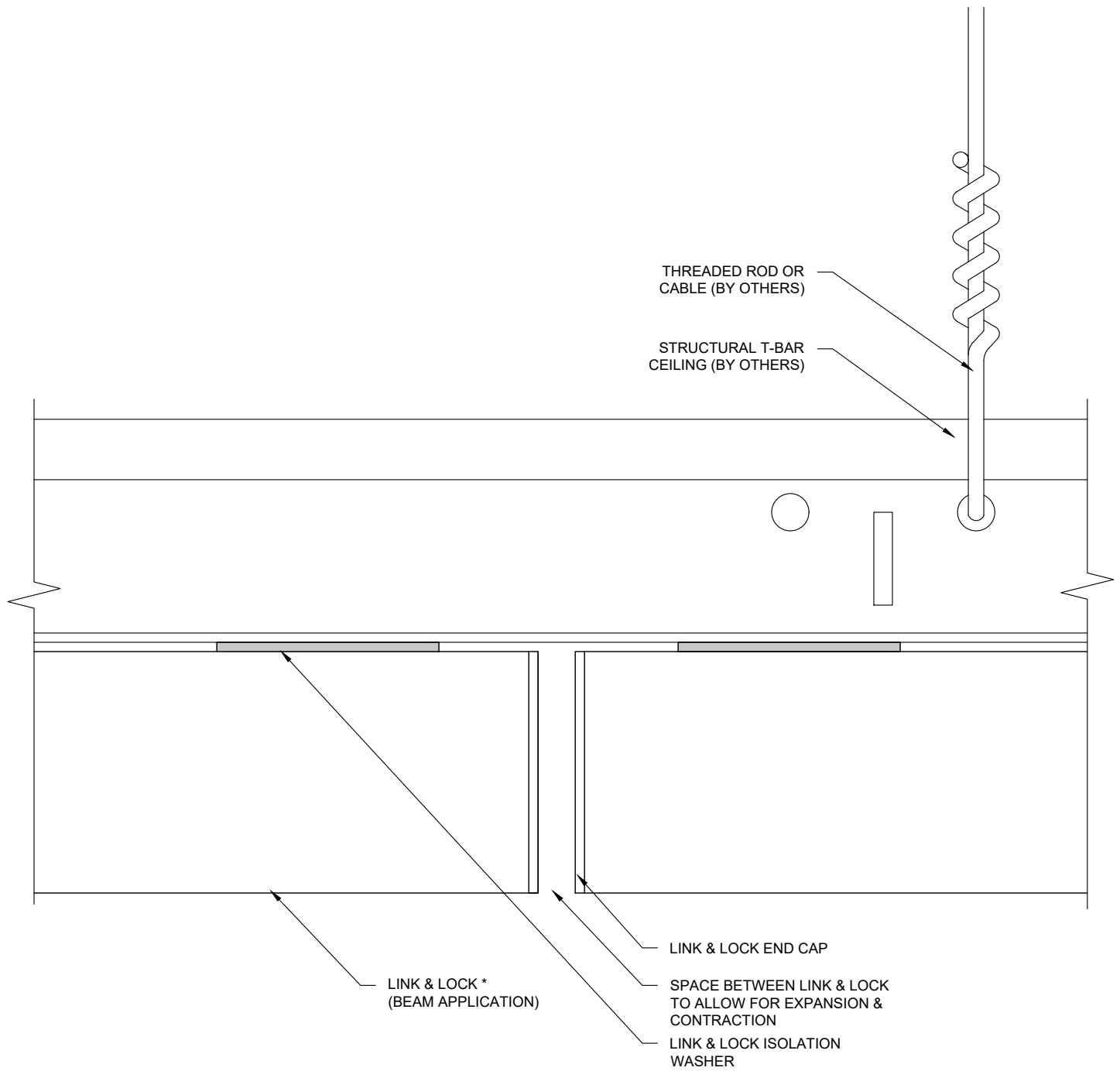
BEAM APPLICATION

These drawings are published as an information guide only. These CAD drawings are intended as templates to assist the designer, they do not contain the full detail required for construction and must be read in conjunction with the installation instructions on www.longboardproducts.com. You should obtain architectural, engineering or other technical advice to assess the suitability of these drawings to the requirements of your particular project. Longboard Architectural Products accepts no liability in respect to the use of these drawings. For complete installation instructions refer to the appropriate documentation here www.longboardproducts.com/resources/technical-documentation/installation-guides

4" X 6" LINK & LOCK™ ATTACHMENT DETAIL

SCALE: 1:4





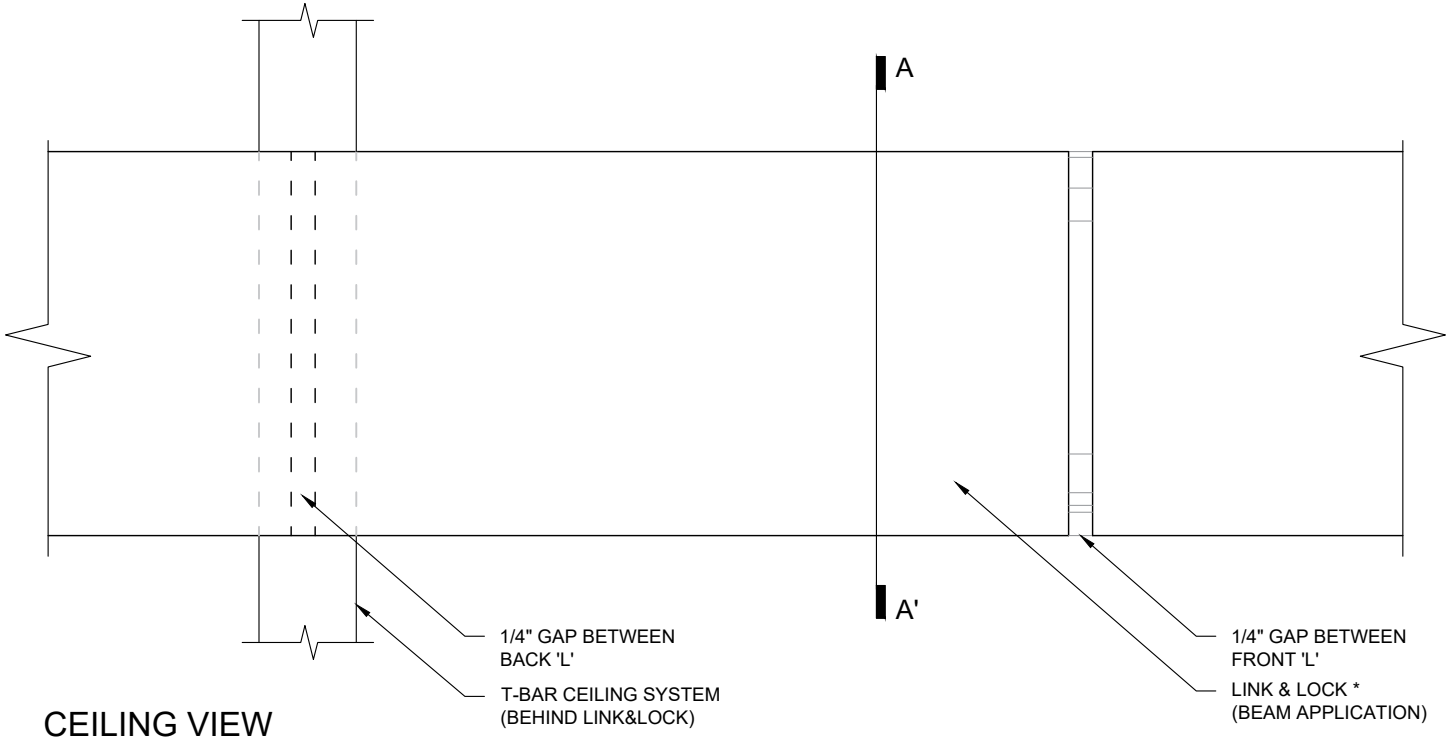
* THIS APPLICATION COULD BE TYPICAL FOR ALL LINK & LOCK PROFILES.

These drawings are published as an information guide only. These CAD drawings are intended as templates to assist the designer, they do not contain the full detail required for construction and must be read in conjunction with the installation instructions on www.longboardproducts.com. You should obtain architectural, engineering or other technical advice to assess the suitability of these drawings to the requirements of your particular project. Longboard Architectural Products accepts no liability in respect to the use of these drawings. For complete installation instructions refer to the appropriate documentation here www.longboardproducts.com/resources/technical-documentation/installation-guides

BUTT-JOINT DETAIL LINK & LOCK™

SCALE: 1:1

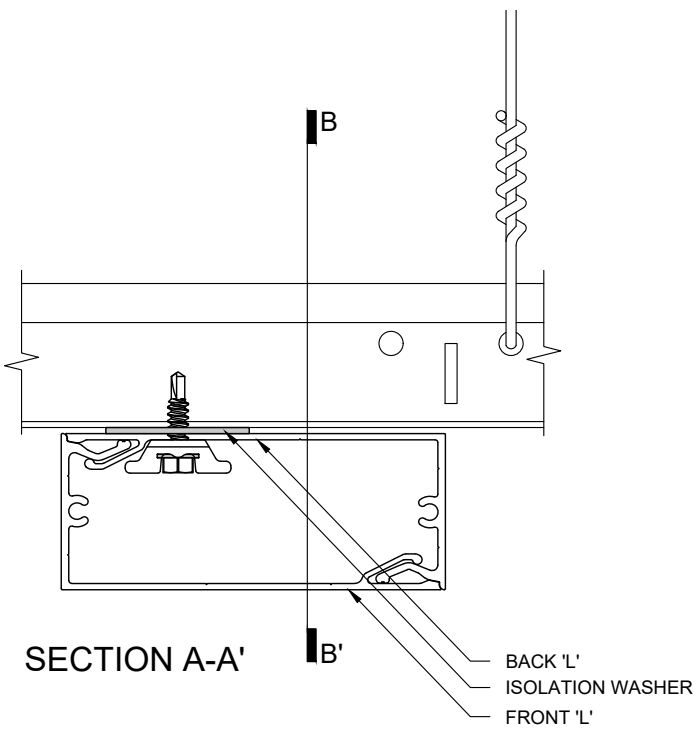




CEILING VIEW

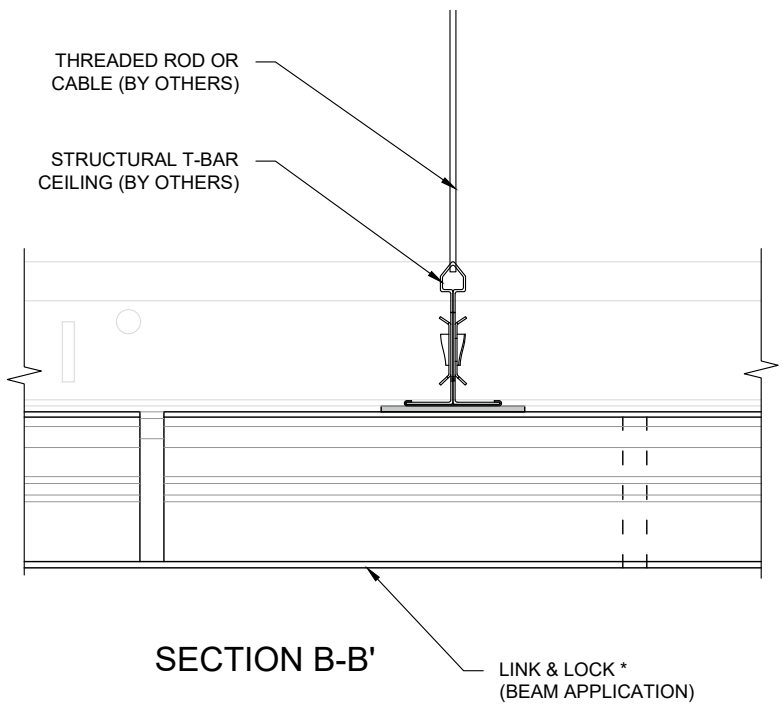
1/4" GAP BETWEEN BACK 'L'
T-BAR CEILING SYSTEM (BEHIND LINK&LOCK)

1/4" GAP BETWEEN FRONT 'L'
LINK & LOCK * (BEAM APPLICATION)



SECTION A-A'

BACK 'L'
ISOLATION WASHER
FRONT 'L'



SECTION B-B'

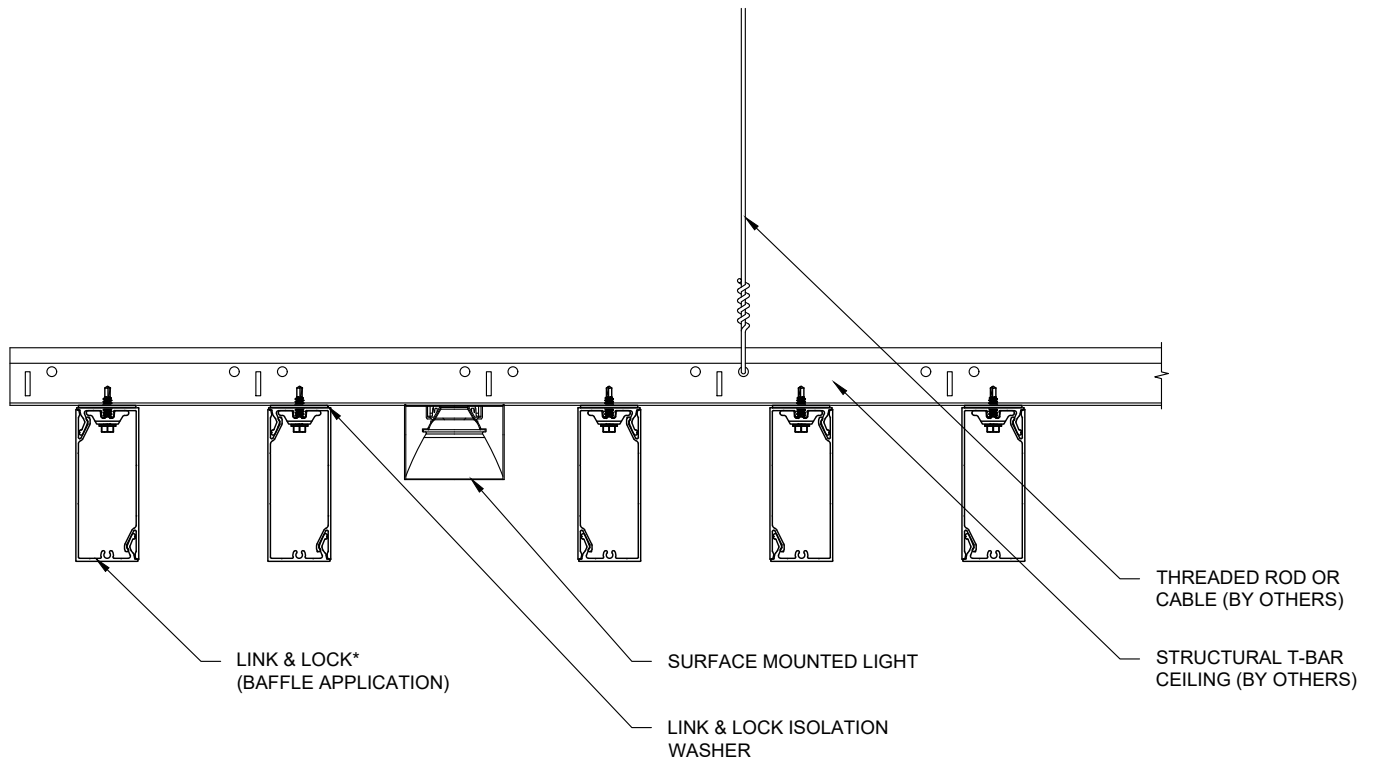
LINK & LOCK * (BEAM APPLICATION)

* THIS APPLICATION COULD BE TYPICAL FOR ALL LINK & LOCK PROFILES.

These drawings are published as an information guide only. These CAD drawings are intended as templates to assist the designer, they do not contain the full detail required for construction and must be read in conjunction with the installation instructions on www.longboardproducts.com. You should obtain architectural, engineering or other technical advice to assess the suitability of these drawings to the requirements of your particular project. Longboard Architectural Products accepts no liability in respect to the use of these drawings. For complete installation instructions refer to the appropriate documentation here www.longboardproducts.com/resources/technical-documentation/installation-guides

LAP-JOINT DETAIL
LINK & LOCK™
SCALE: 1:2





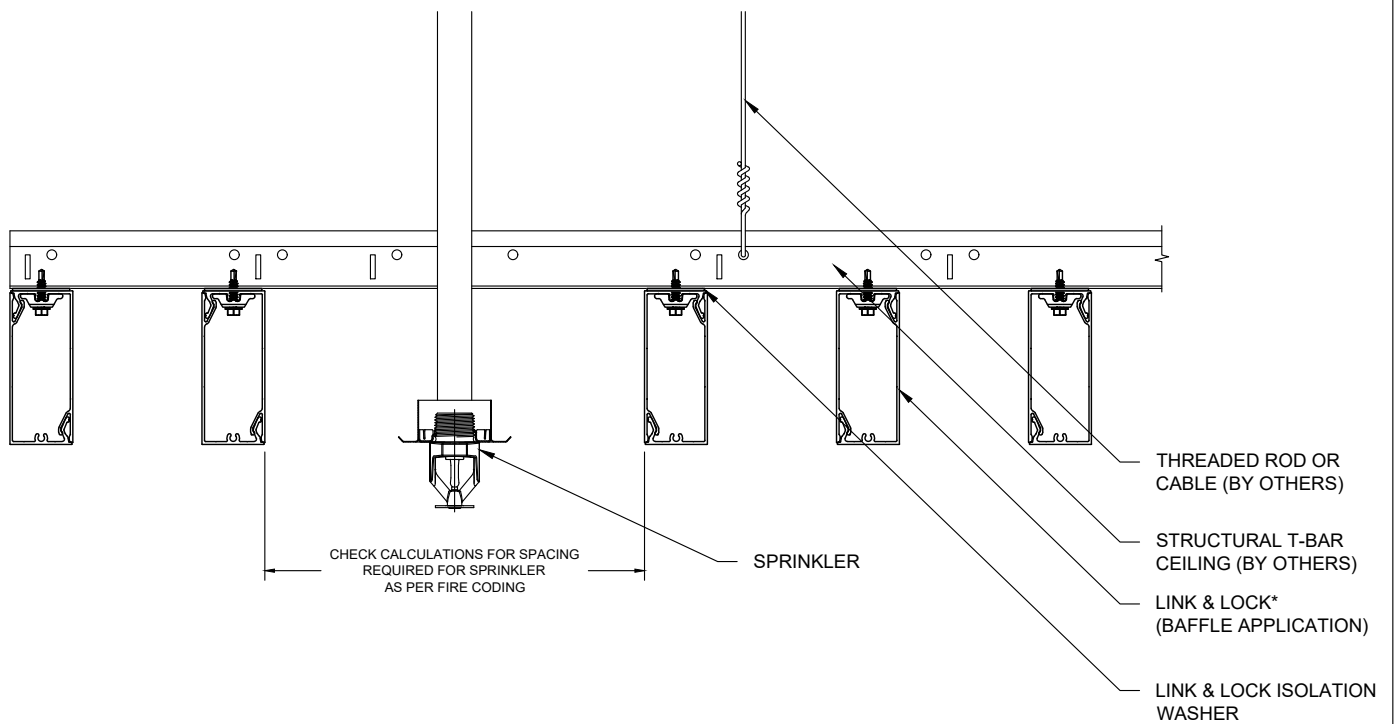
* THIS APPLICATION COULD BE TYPICAL FOR ALL LINK & LOCK PROFILES.

These drawings are published as an information guide only. These CAD drawings are intended as templates to assist the designer, they do not contain the full detail required for construction and must be read in conjunction with the installation instructions on www.longboardproducts.com. You should obtain architectural, engineering or other technical advice to assess the suitability of these drawings to the requirements of your particular project. Longboard Architectural Products accepts no liability in respect to the use of these drawings. For complete installation instructions refer to the appropriate documentation here www.longboardproducts.com/resources/technical-documentation/installation-guides

CEILING LIGHT ATTACHMENT LINK & LOCK™

SCALE 1:5





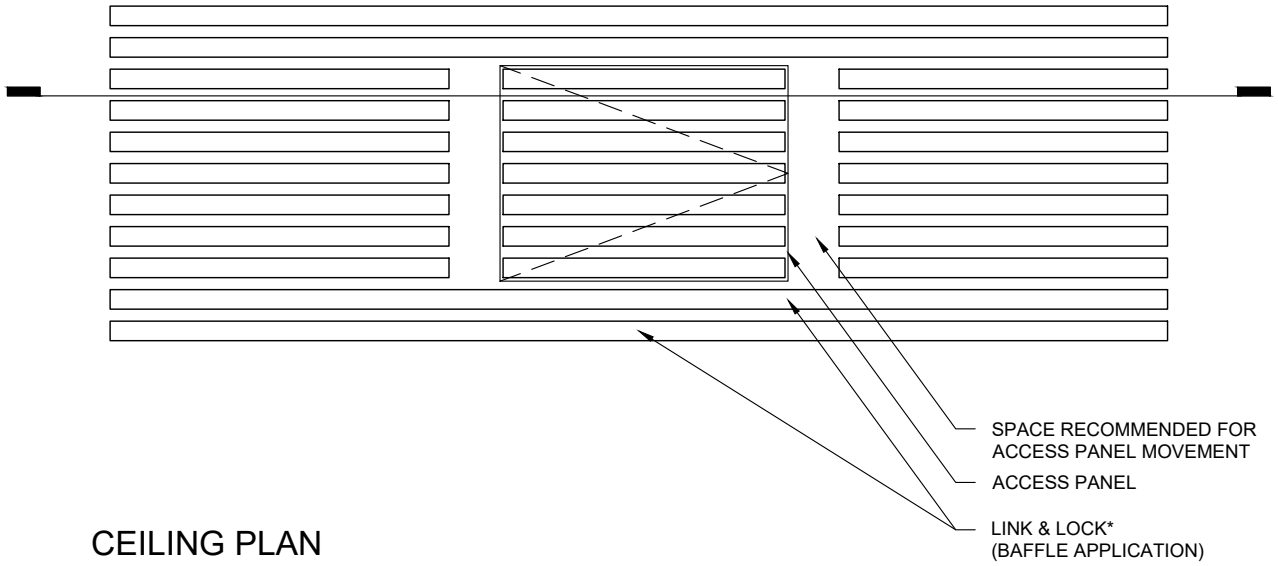
* THIS APPLICATION COULD BE TYPICAL FOR ALL LINK & LOCK PROFILES.

These drawings are published as an information guide only. These CAD drawings are intended as templates to assist the designer, they do not contain the full detail required for construction and must be read in conjunction with the installation instructions on www.longboardproducts.com. You should obtain architectural, engineering or other technical advice to assess the suitability of these drawings to the requirements of your particular project. Longboard Architectural Products accepts no liability in respect to the use of these drawings. For complete installation instructions refer to the appropriate documentation here www.longboardproducts.com/resources/technical-documentation/installation-guides

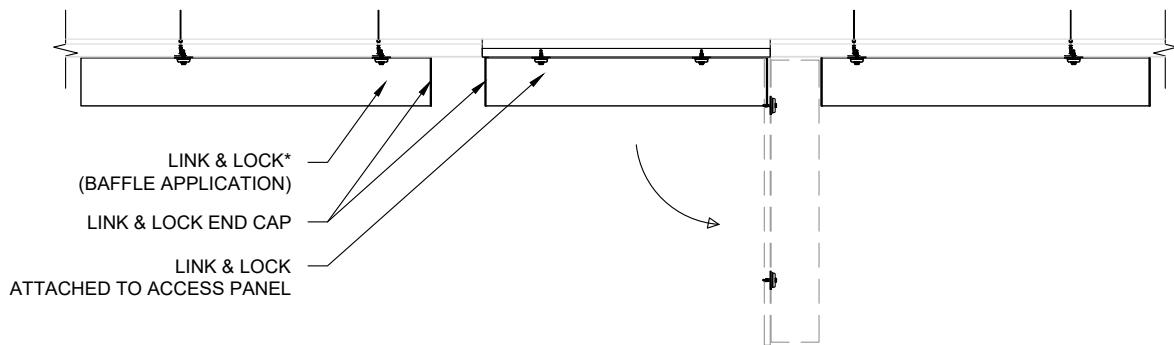
SPRINKLER ATTACHMENT LINK & LOCK™

SCALE 1:5





CEILING PLAN



SECTION

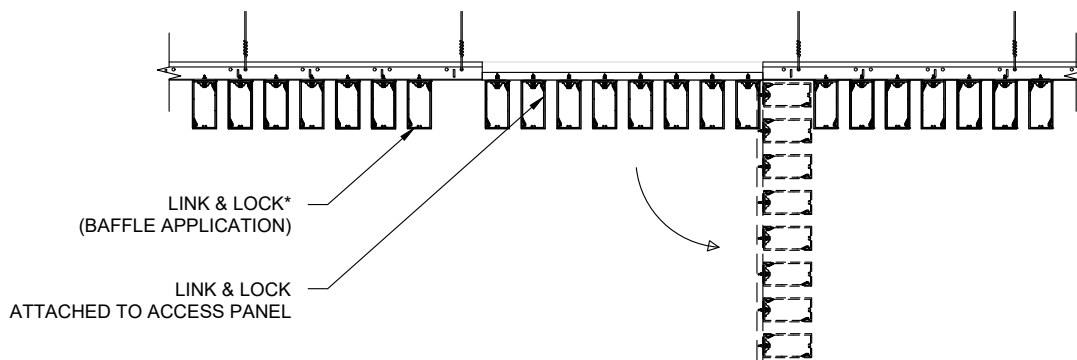
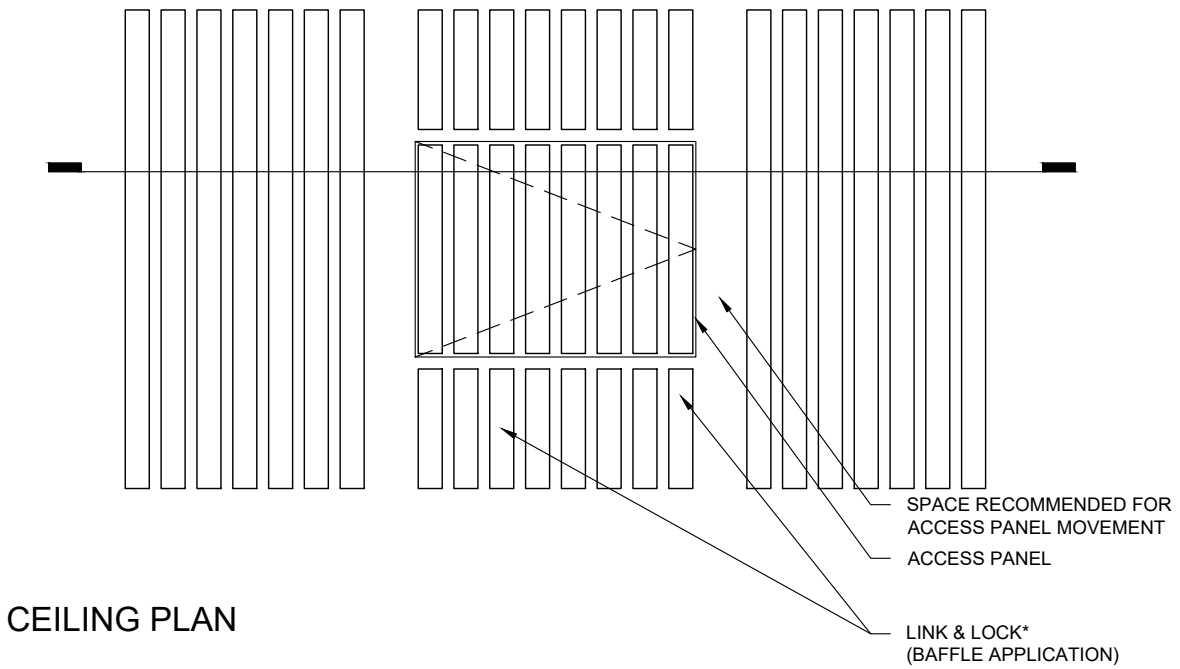
* THIS APPLICATION COULD BE TYPICAL FOR ALL LINK & LOCK PROFILES.

These drawings are published as an information guide only. These CAD drawings are intended as templates to assist the designer, they do not contain the full detail required for construction and must be read in conjunction with the installation instructions on www.longboardproducts.com. You should obtain architectural, engineering or other technical advice to assess the suitability of these drawings to the requirements of your particular project. Longboard Architectural Products accepts no liability in respect to the use of these drawings. For complete installation instructions refer to the appropriate documentation here www.longboardproducts.com/resources/technical-documentation/installation-guides

ACCESS PANEL DETAIL
LINK & LOCK™ PARALLEL TO OPENING

SCALE 1:16





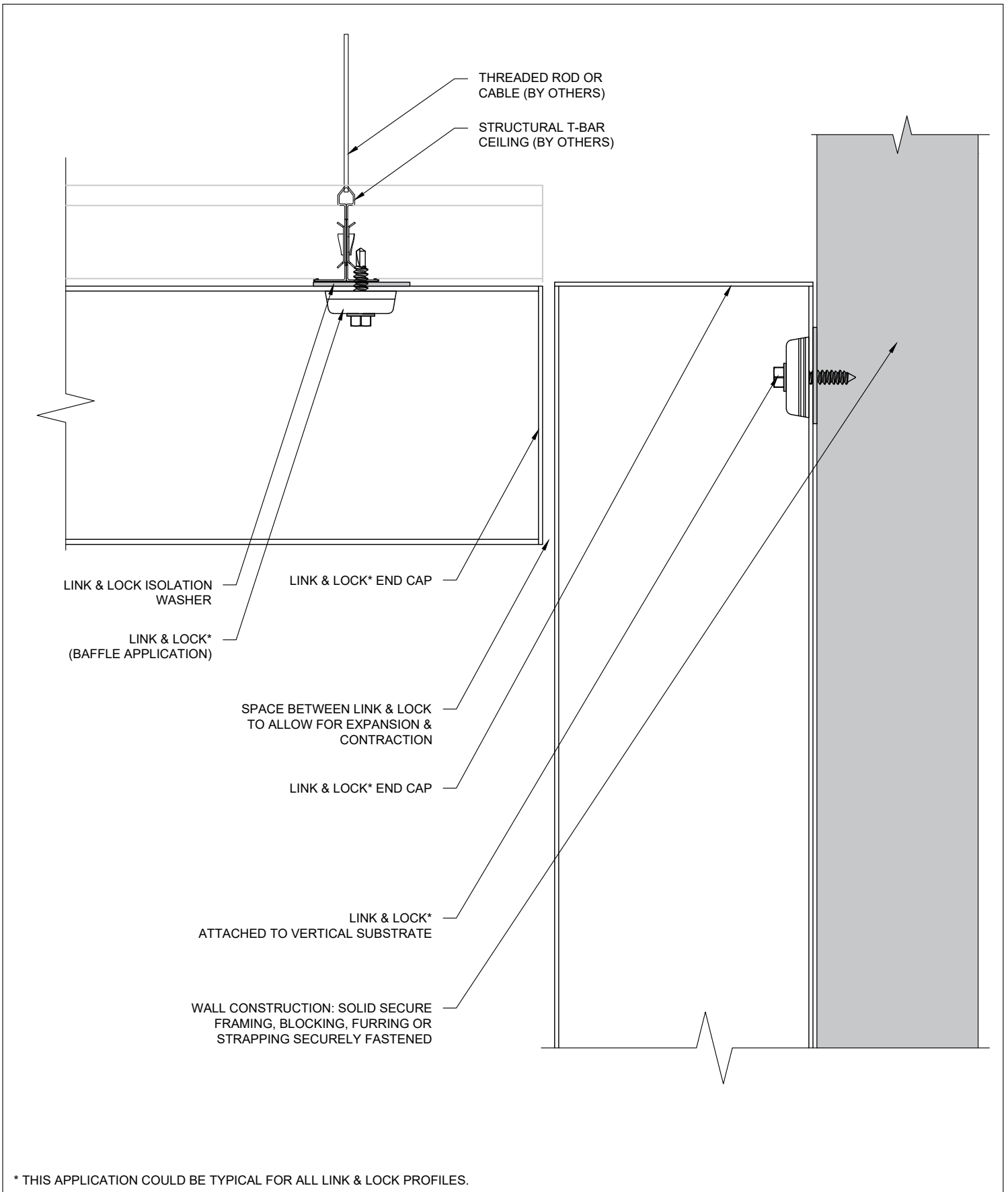
* THIS APPLICATION COULD BE TYPICAL FOR ALL LINK & LOCK PROFILES.

These drawings are published as an information guide only. These CAD drawings are intended as templates to assist the designer, they do not contain the full detail required for construction and must be read in conjunction with the installation instructions on www.longboardproducts.com. You should obtain architectural, engineering or other technical advice to assess the suitability of these drawings to the requirements of your particular project. Longboard Architectural Products accepts no liability in respect to the use of these drawings. For complete installation instructions refer to the appropriate documentation here www.longboardproducts.com/resources/technical-documentation/installation-guides

ACCESS PANEL DETAIL
LINK & LOCK™ PERPENDICULAR TO OPENING

SCALE 1:16





* THIS APPLICATION COULD BE TYPICAL FOR ALL LINK & LOCK PROFILES.

These drawings are published as an information guide only. These CAD drawings are intended as templates to assist the designer, they do not contain the full detail required for construction and must be read in conjunction with the installation instructions on www.longboardproducts.com. You should obtain architectural, engineering or other technical advice to assess the suitability of these drawings to the requirements of your particular project. Longboard Architectural Products accepts no liability in respect to the use of these drawings. For complete installation instructions refer to the appropriate documentation here www.longboardproducts.com/resources/technical-documentation/installation-guides

CEILING TO CLADDING TRANSITION
LINK & LOCK™
SCALE 1:2

