

LINK & LOCK™ PROFILES

TABLE OF CONTENTS

(Click on the drawing name below to be directed to the right section.)

[2" LINK & LOCK](#)

[4" LINK & LOCK](#)

[6" LINK & LOCK](#)

[8" LINK & LOCK](#)

[LINK & LOCK END CAP : 1⁵/₈"](#)

[4" LINK & LOCK HD](#)

[6" LINK & LOCK HD](#)

[8" LINK & LOCK HD](#)

[LINK & LOCK HD END CAP : 2"](#)

[4" X 4" LINK & LOCK](#)

[4" X 6" LINK & LOCK](#)

[LINK & LOCK END CAP : 4"](#)

[LINK & LOCK - 2" END MOUNT](#)

[LINK & LOCK - 4" END MOUNT](#)

[LINK & LOCK - 6" END MOUNT](#)

[LINK & LOCK - 8" END MOUNT](#)

[LINK & LOCK - END MOUNT \(FRONT VIEW\)](#)

[LINK & LOCK HD - 4" END MOUNT](#)

[LINK & LOCK HD - 6" END MOUNT](#)

[LINK & LOCK HD - 8" END MOUNT](#)

[LINK & LOCK HD - END MOUNT \(FRONT VIEW\)](#)

[LINK & LOCK - MOUNTING CLIP](#)

[LINK & LOCK - INTERNAL STIFFENER](#)

[LINK & LOCK - ISOLATION WASHER](#)

[LINK & LOCK BRACKET - 45° RIGHT SLIDING](#)

[LINK & LOCK BRACKET - 45° RIGHT FIXED](#)

[LINK & LOCK BRACKET - 45° LEFT SLIDING](#)

[LINK & LOCK BRACKET - 45° LEFT FIXED](#)

[LINK & LOCK BRACKET - 90° CENTER SLIDING](#)

[LINK & LOCK BRACKET - 90° CENTER FIXED](#)

[LINK & LOCK DUAL BRACKET- 45° RIGHT SLIDING](#)

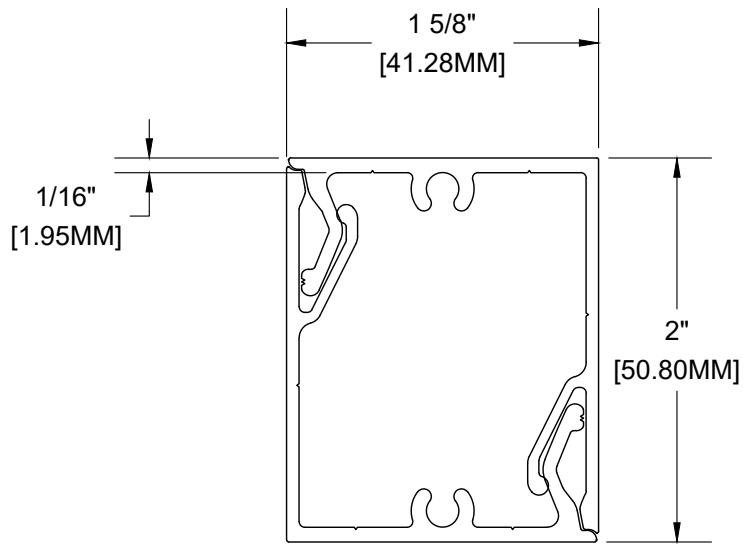
[LINK & LOCK DUAL BRACKET- 45° RIGHT FIXED](#)

[LINK & LOCK DUAL BRACKET- 45° LEFT SLIDING](#)

[LINK & LOCK DUAL BRACKET- 45° LEFT FIXED](#)

[LINK & LOCK DUAL BRACKET- 90° CENTER SLIDING](#)

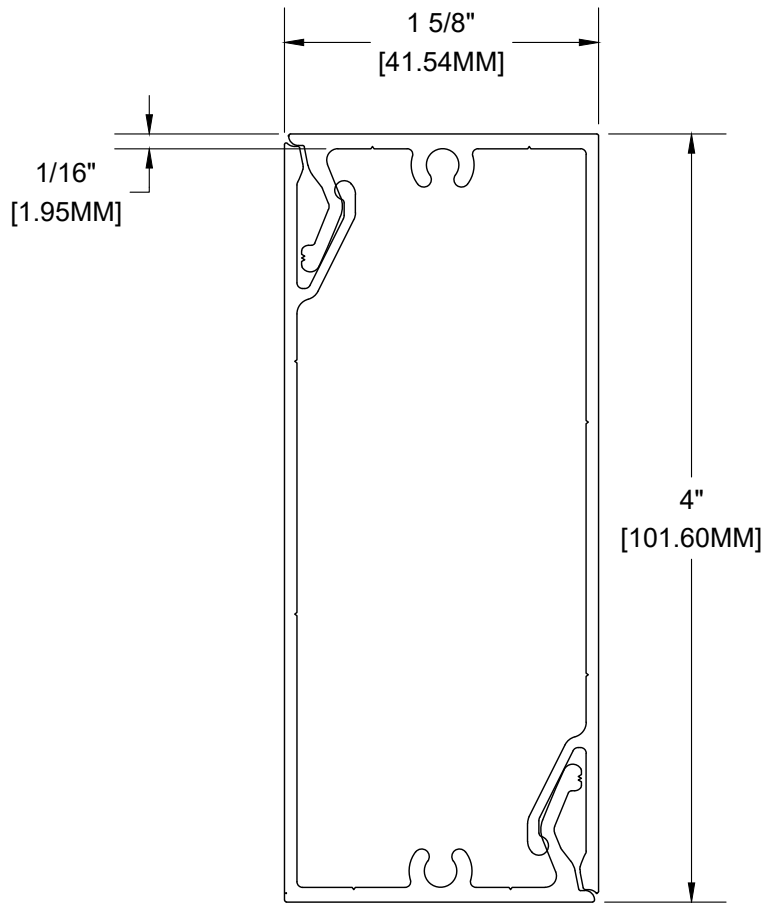
[LINK & LOCK DUAL BRACKET- 90° CENTER FIXED](#)



These drawings are published as an information guide only. These CAD drawings are intended as templates to assist the designer, they do not contain the full detail required for construction and must be read in conjunction with the installation instructions on www.longboardproducts.com. You should obtain architectural, engineering or other technical advice to assess the suitability of these drawings to the requirements of your particular project. Longboard Architectural products accepts no liability in respect to the use of these drawings. For complete installation instructions refer to the appropriate documentation here www.longboardproducts.com/resources/technical-documentation/installation-guides

2" LINK & LOCK™
ALUMINUM ALLOY: 6063-T5
WEIGHT: 0.926 LBS/ LF
SCALE: 1:1

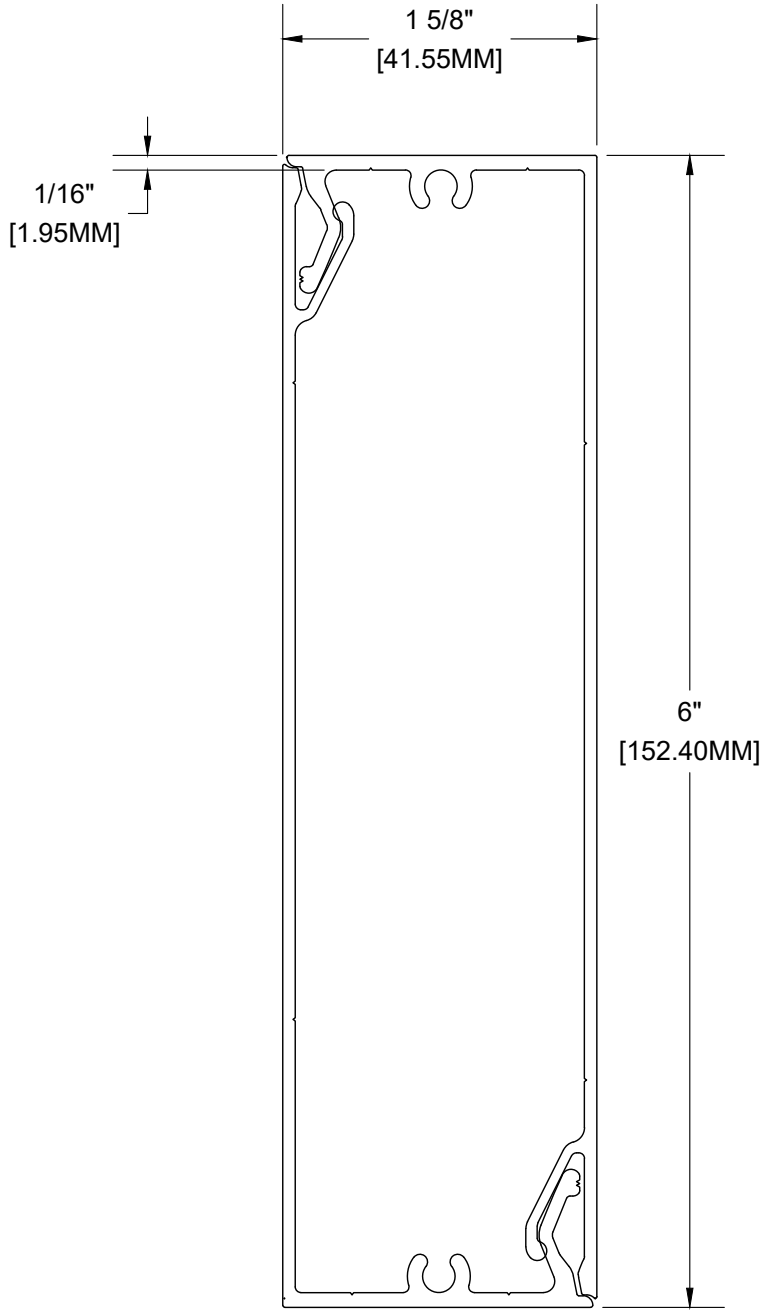




These drawings are published as an information guide only. These CAD drawings are intended as templates to assist the designer, they do not contain the full detail required for construction and must be read in conjunction with the installation instructions on www.longboardproducts.com. You should obtain architectural, engineering or other technical advice to assess the suitability of these drawings to the requirements of your particular project. Longboard Architectural products accepts no liability in respect to the use of these drawings. For complete installation instructions refer to the appropriate documentation here www.longboardproducts.com/resources/technical-documentation/installation-guides

4" LINK & LOCK™
ALUMINUM ALLOY: 6063-T5
WEIGHT: 1.283 LBS/ LF
SCALE: 1:1

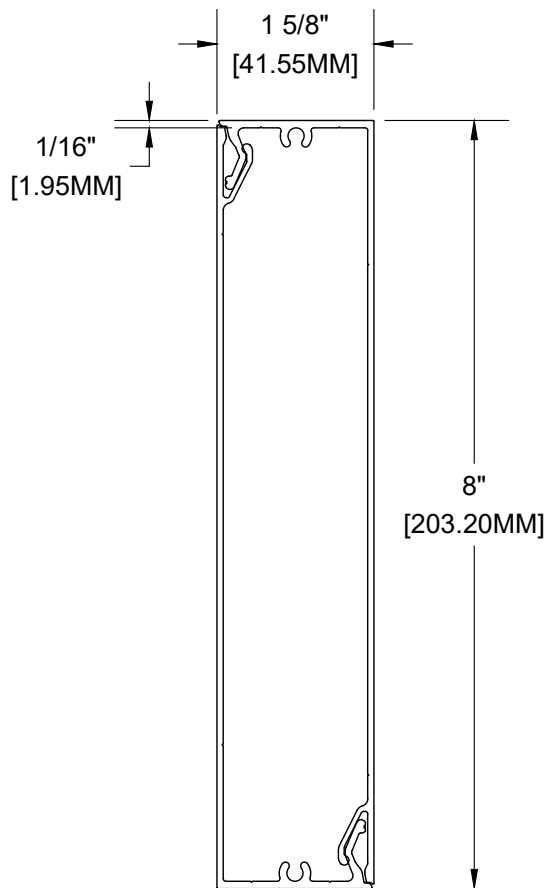




These drawings are published as an information guide only. These CAD drawings are intended as templates to assist the designer, they do not contain the full detail required for construction and must be read in conjunction with the installation instructions on www.longboardproducts.com. You should obtain architectural, engineering or other technical advice to assess the suitability of these drawings to the requirements of your particular project. Longboard Architectural products accepts no liability in respect to the use of these drawings. For complete installation instructions refer to the appropriate documentation here www.longboardproducts.com/resources/technical-documentation/installation-guides

6" LINK & LOCK™
ALUMINUM ALLOY: 6063-T5
WEIGHT: 1.547 LBS/ LF
SCALE: 1:1

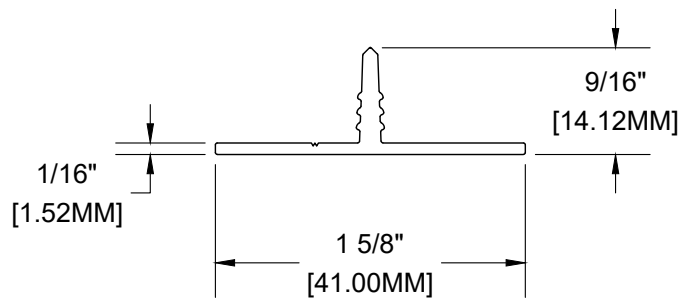




These drawings are published as an information guide only. These CAD drawings are intended as templates to assist the designer, they do not contain the full detail required for construction and must be read in conjunction with the installation instructions on www.longboardproducts.com. You should obtain architectural, engineering or other technical advice to assess the suitability of these drawings to the requirements of your particular project. Longboard Architectural products accepts no liability in respect to the use of these drawings. For complete installation instructions refer to the appropriate documentation here www.longboardproducts.com/resources/technical-documentation/installation-guides

8" LINK & LOCK™
ALUMINUM ALLOY: 6063-T5
WEIGHT: 1.850 LBS/ LF
SCALE: 1:2

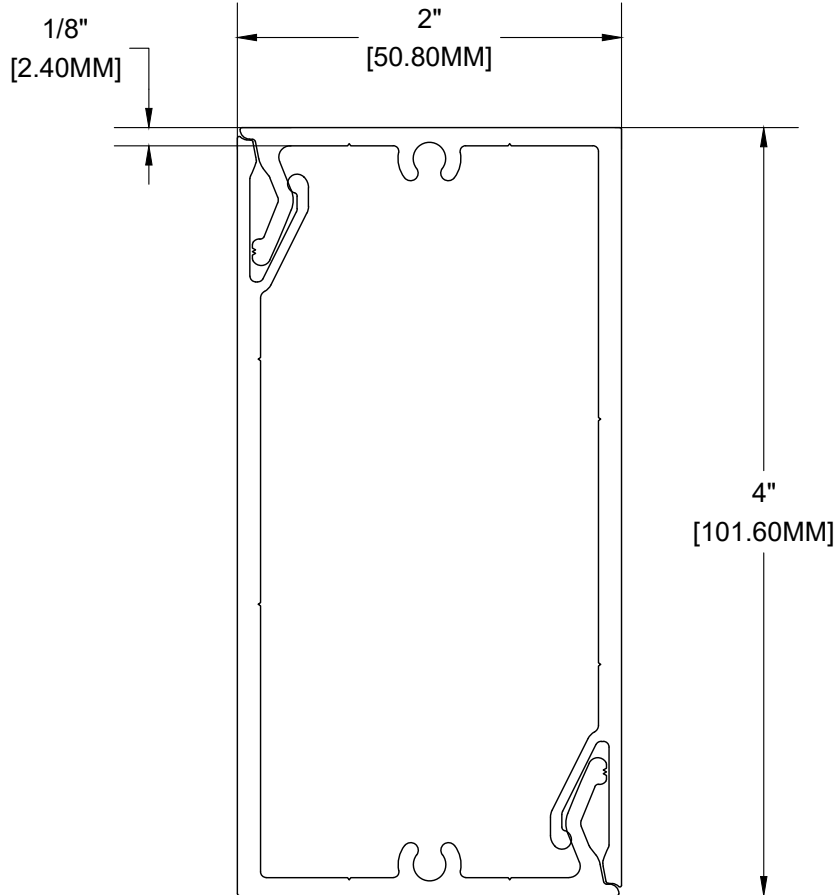




These drawings are published as an information guide only. These CAD drawings are intended as templates to assist the designer, they do not contain the full detail required for construction and must be read in conjunction with the installation instructions on www.longboardproducts.com. You should obtain architectural, engineering or other technical advice to assess the suitability of these drawings to the requirements of your particular project. Longboard Architectural products accepts no liability in respect to the use of these drawings. For complete installation instructions refer to the appropriate documentation here www.longboardproducts.com/resources/technical-documentation/installation-guides

LINK & LOCK™ END CAP: 1-5/8"
ALUMINUM ALLOY: 6063-T5
WEIGHT: 0.170 LBS/ LF
SCALE: 1:1

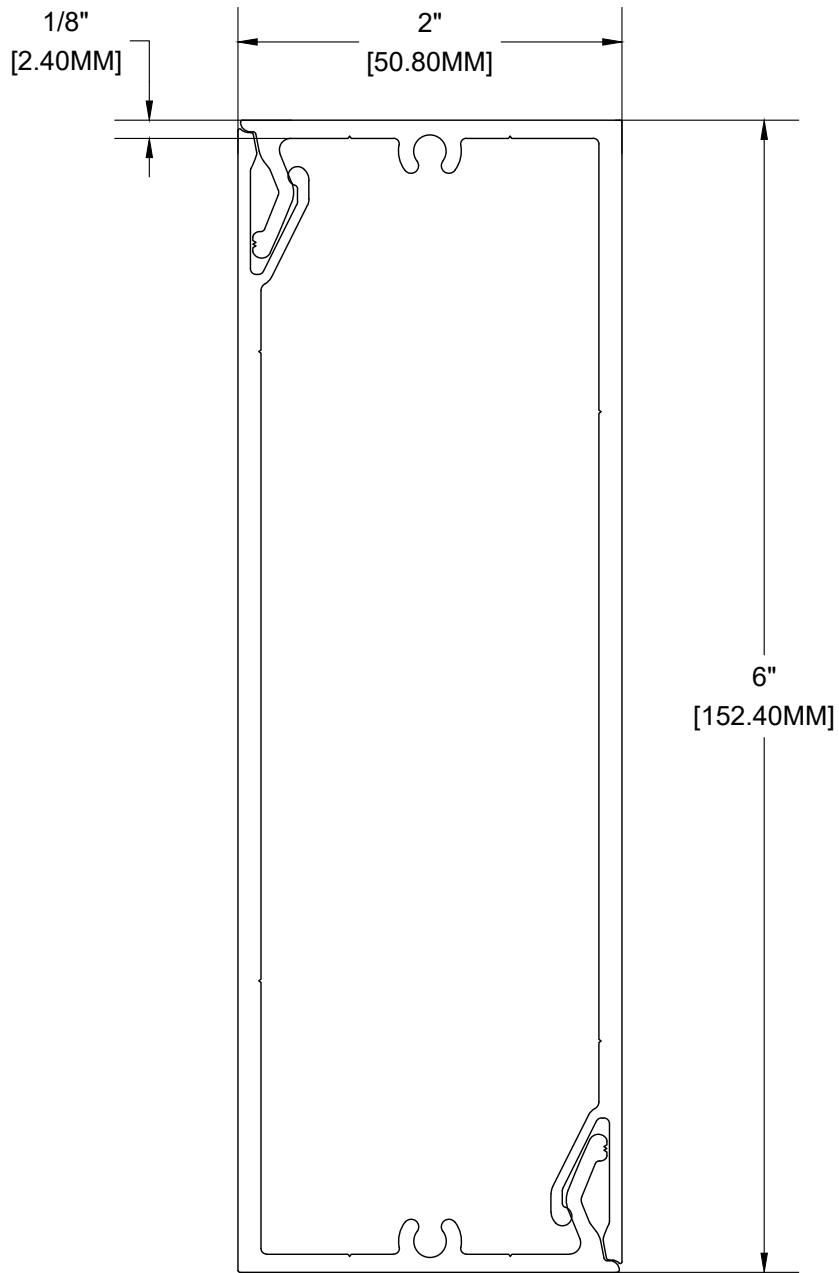




These drawings are published as an information guide only. These CAD drawings are intended as templates to assist the designer, they do not contain the full detail required for construction and must be read in conjunction with the installation instructions on www.longboardproducts.com. You should obtain architectural, engineering or other technical advice to assess the suitability of these drawings to the requirements of your particular project.
 Longboard Architectural products accepts no liability in respect to the use of these drawings.
 For complete installation instructions refer to the appropriate documentation here
www.longboardproducts.com/resources/technical-documentation/installation-guides

4" LINK & LOCK™ HD
ALUMINUM ALLOY: 6063-T5
WEIGHT: 1.788 LBS/ LF
SCALE: 1:1

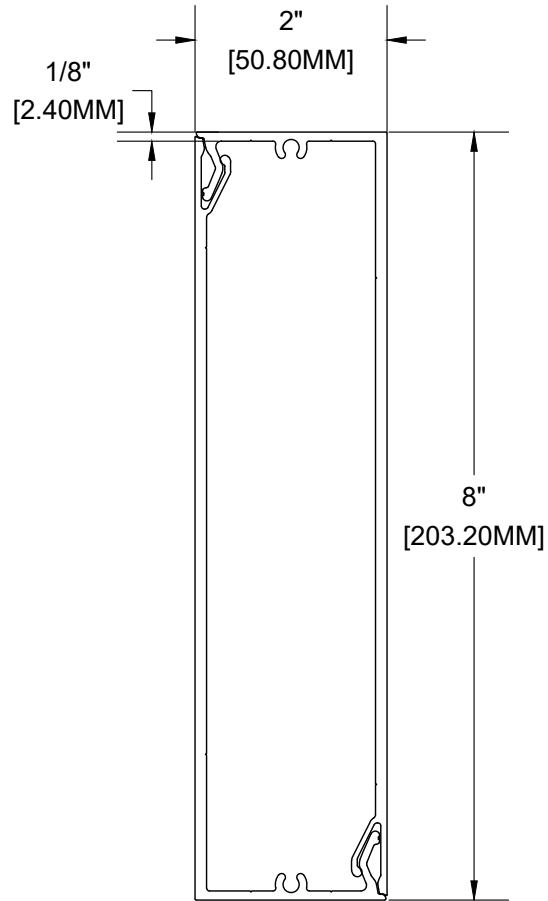




These drawings are published as an information guide only. These CAD drawings are intended as templates to assist the designer, they do not contain the full detail required for construction and must be read in conjunction with the installation instructions on www.longboardproducts.com. You should obtain architectural, engineering or other technical advice to assess the suitability of these drawings to the requirements of your particular project. Longboard Architectural products accepts no liability in respect to the use of these drawings. For complete installation instructions refer to the appropriate documentation here www.longboardproducts.com/resources/technical-documentation/installation-guides

6" LINK & LOCK™ HD
ALUMINUM ALLOY: 6063-T5
WEIGHT: 2.380 LBS/ LF
SCALE: 1:1

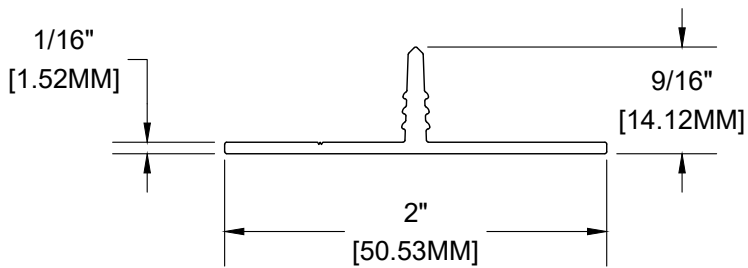




These drawings are published as an information guide only. These CAD drawings are intended as templates to assist the designer, they do not contain the full detail required for construction and must be read in conjunction with the installation instructions on www.longboardproducts.com. You should obtain architectural, engineering or other technical advice to assess the suitability of these drawings to the requirements of your particular project. Longboard Architectural products accepts no liability in respect to the use of these drawings. For complete installation instructions refer to the appropriate documentation here www.longboardproducts.com/resources/technical-documentation/installation-guides

8" LINK & LOCK™ HD
ALUMINUM ALLOY: 6063-T5
WEIGHT: 2.958 LBS/ LF
SCALE: 1:2

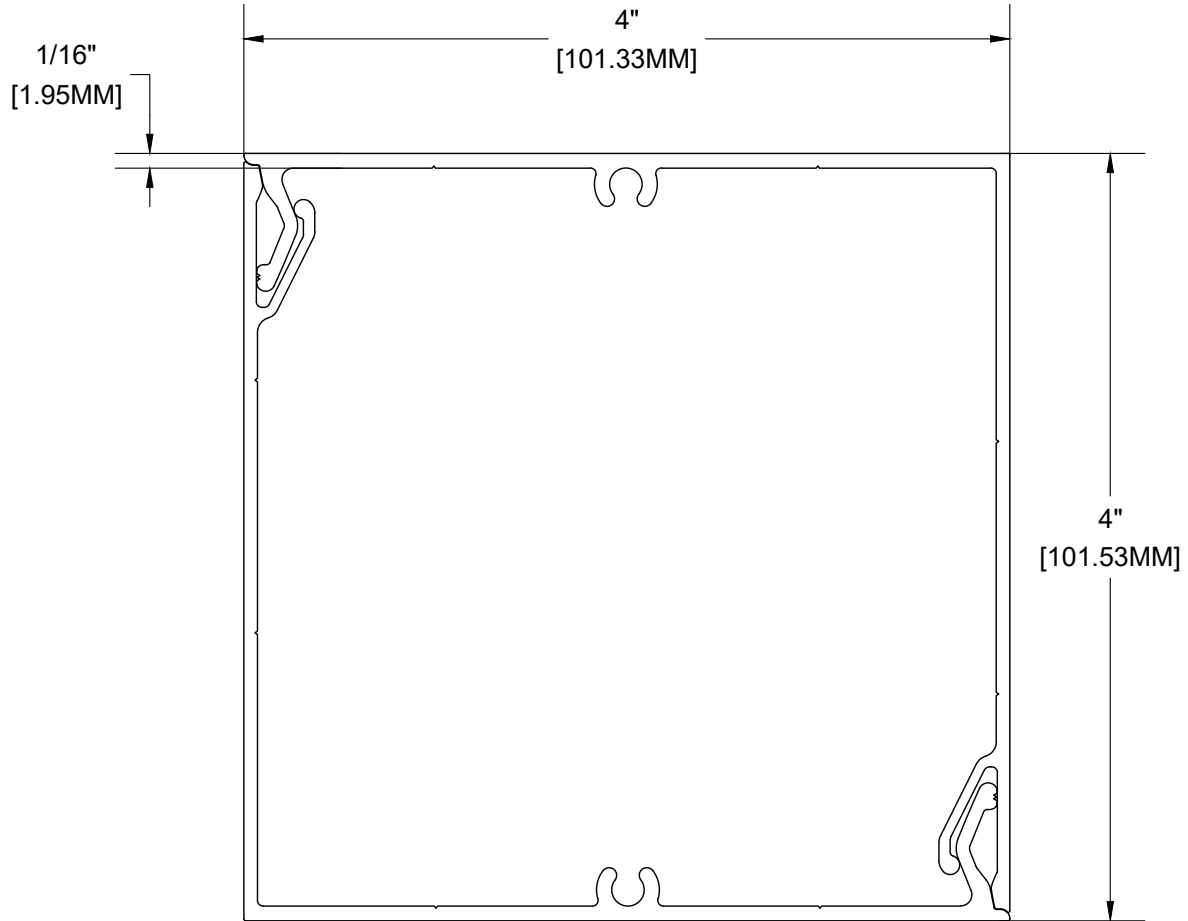




These drawings are published as an information guide only. These CAD drawings are intended as templates to assist the designer, they do not contain the full detail required for construction and must be read in conjunction with the installation instructions on www.longboardproducts.com. You should obtain architectural, engineering or other technical advice to assess the suitability of these drawings to the requirements of your particular project. Longboard Architectural products accepts no liability in respect to the use of these drawings. For complete installation instructions refer to the appropriate documentation here www.longboardproducts.com/resources/technical-documentation/installation-guides

LINK & LOCK™ HD END CAP: 2"
ALUMINUM ALLOY: 6063-T5
WEIGHT: 0.196 LBS/ LF
SCALE: 1:1

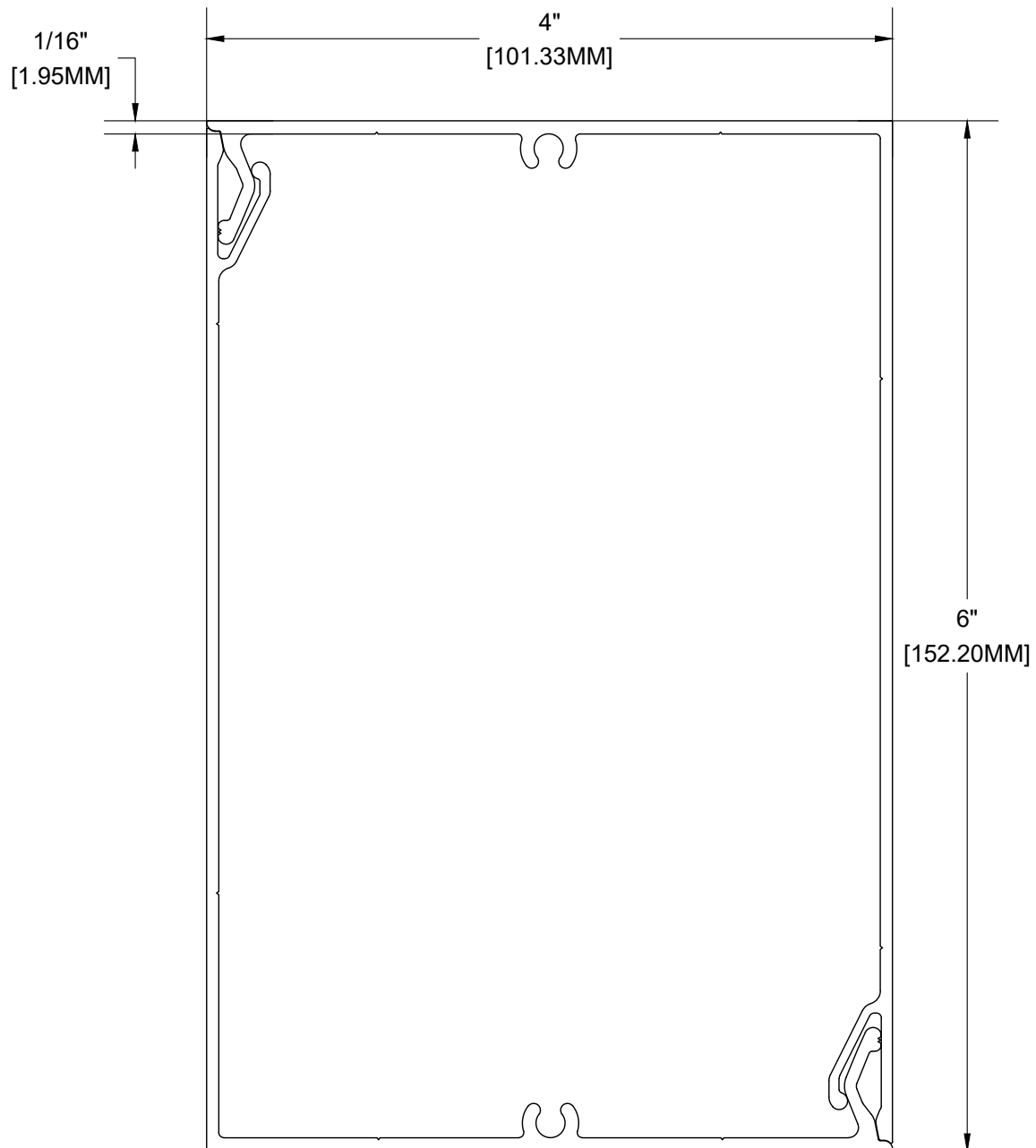




These drawings are published as an information guide only. These CAD drawings are intended as templates to assist the designer, they do not contain the full detail required for construction and must be read in conjunction with the installation instructions on www.longboardproducts.com. You should obtain architectural, engineering or other technical advice to assess the suitability of these drawings to the requirements of your particular project. Longboard Architectural products accepts no liability in respect to the use of these drawings. For complete installation instructions refer to the appropriate documentation here www.longboardproducts.com/resources/technical-documentation/installation-guides

4" X 4" LINK & LOCK™
ALUMINUM ALLOY: 6063-T5
WEIGHT: 1.734 LBS/ LF
SCALE: 1:1

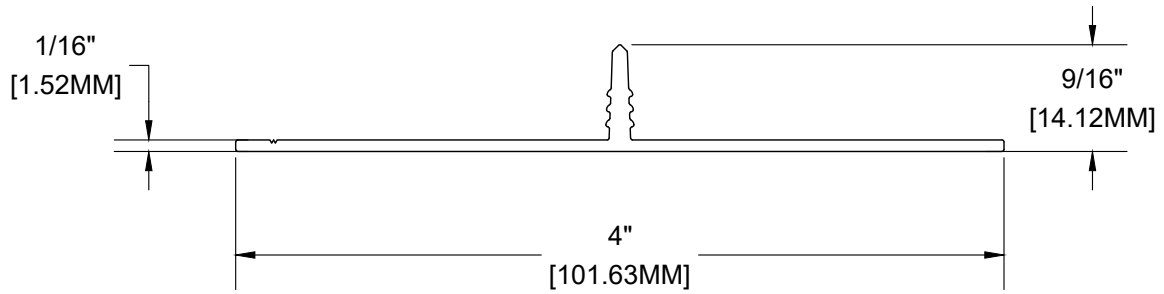




These drawings are published as an information guide only. These CAD drawings are intended as templates to assist the designer, they do not contain the full detail required for construction and must be read in conjunction with the installation instructions on www.longboardproducts.com. You should obtain architectural, engineering or other technical advice to assess the suitability of these drawings to the requirements of your particular project. Longboard Architectural products accepts no liability in respect to the use of these drawings. For complete installation instructions refer to the appropriate documentation here www.longboardproducts.com/resources/technical-documentation/installation-guides

4" X 6" LINK & LOCK™
ALUMINUM ALLOY: 6063-T5
WEIGHT: 2.070 LBS/ LF
SCALE: 1:1

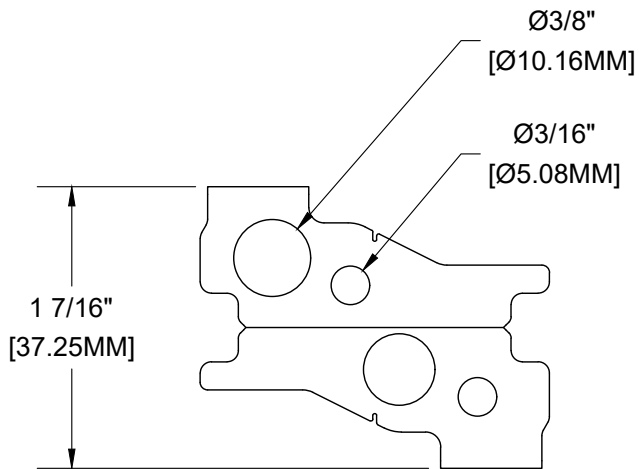




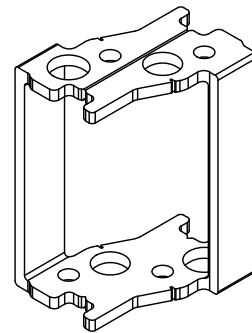
These drawings are published as an information guide only. These CAD drawings are intended as templates to assist the designer, they do not contain the full detail required for construction and must be read in conjunction with the installation instructions on www.longboardproducts.com. You should obtain architectural, engineering or other technical advice to assess the suitability of these drawings to the requirements of your particular project. Longboard Architectural products accepts no liability in respect to the use of these drawings. For complete installation instructions refer to the appropriate documentation here www.longboardproducts.com/resources/technical-documentation/installation-guides

LINK & LOCK™ END CAP: 4"
ALUMINUM ALLOY: 6063-T5
WEIGHT: 0.337 LBS/ LF
SCALE: 1:1

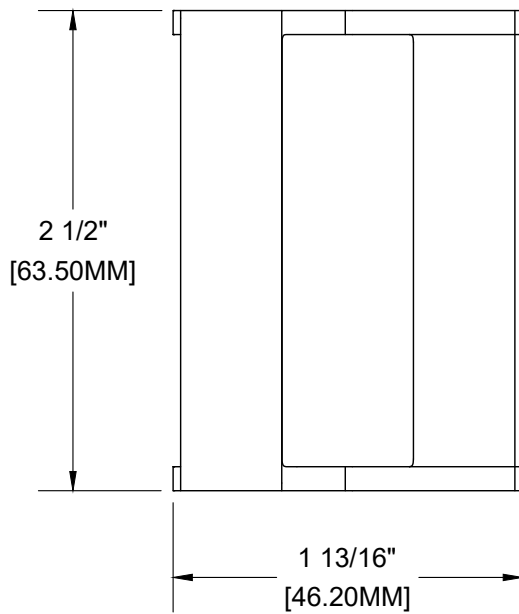




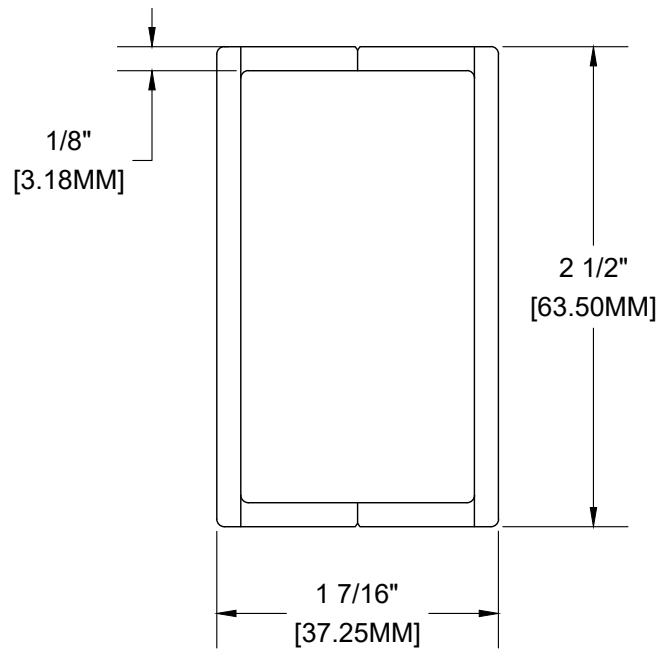
TOP VIEW



ISOMETRIC VIEW



SIDE VIEW

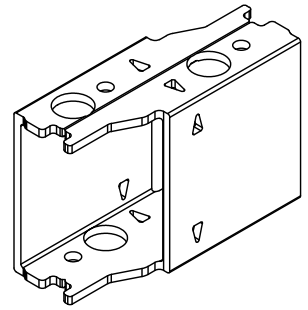


FRONT VIEW

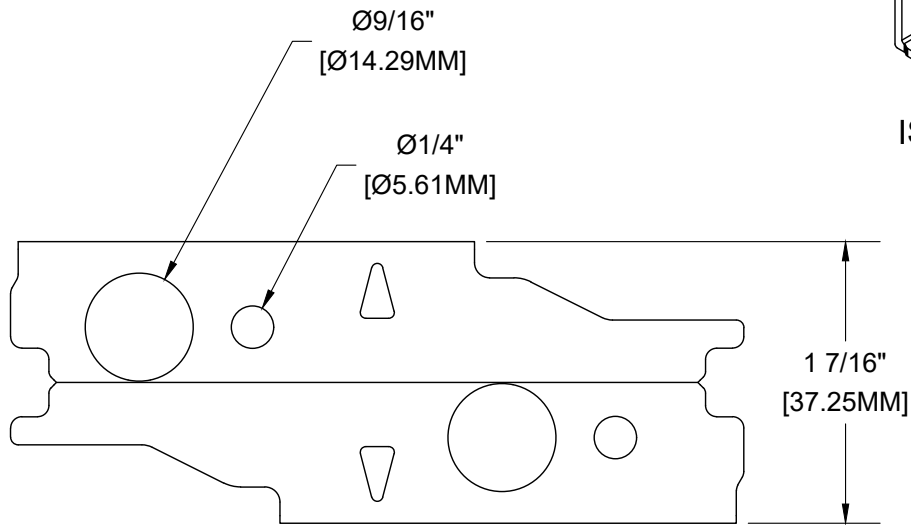
These drawings are published as an information guide only. These CAD drawings are intended as templates to assist the designer, they do not contain the full detail required for construction and must be read in conjunction with the installation instructions on www.longboardproducts.com. You should obtain architectural, engineering or other technical advice to assess the suitability of these drawings to the requirements of your particular project. Longboard Architectural products accepts no liability in respect to the use of these drawings. For complete installation instructions refer to the appropriate documentation here www.longboardproducts.com/resources/technical-documentation/installation-guides

LINK & LOCK™ - 2" END MOUNT
ALUMINUM ALLOY: 6063-T5
WEIGHT: 0.063 LBS
SCALE: 1:1

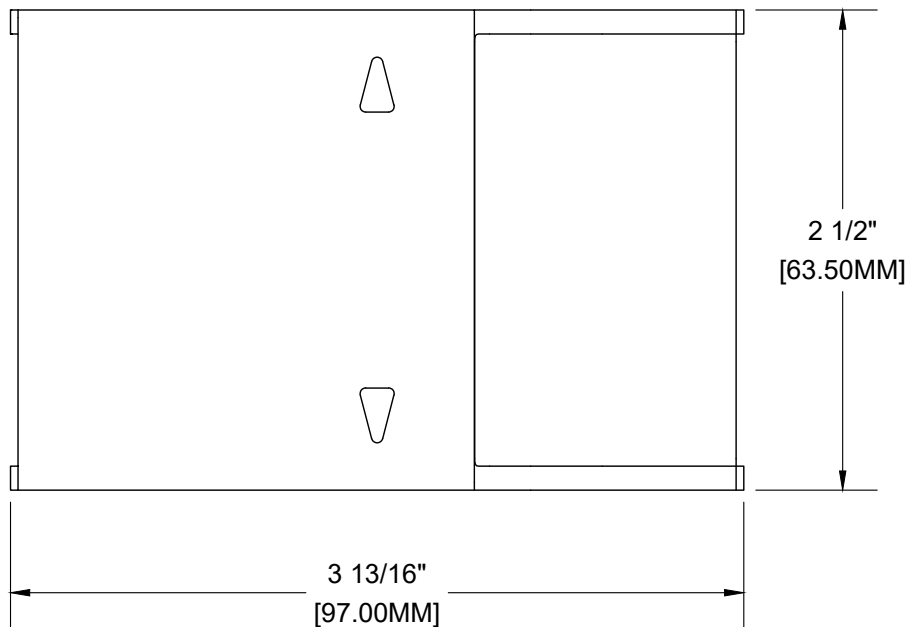




ISOMETRIC VIEW



TOP VIEW

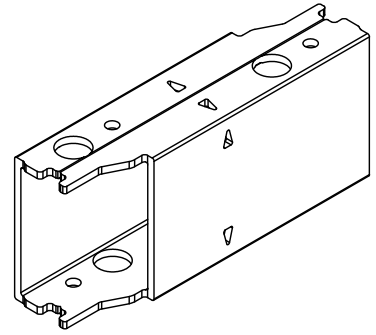


SIDE VIEW

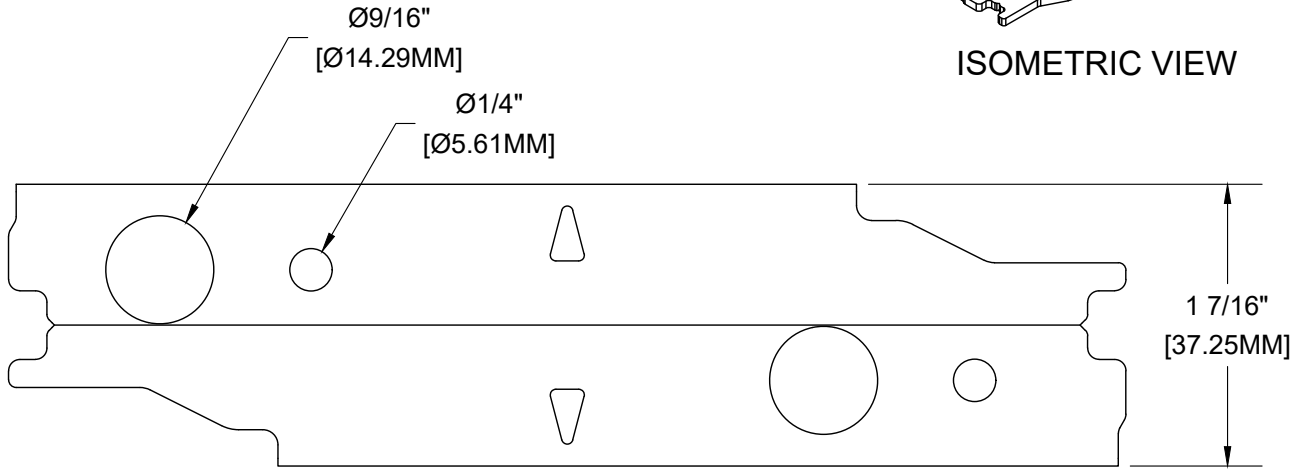
These drawings are published as an information guide only. These CAD drawings are intended as templates to assist the designer, they do not contain the full detail required for construction and must be read in conjunction with the installation instructions on www.longboardproducts.com. You should obtain architectural, engineering or other technical advice to assess the suitability of these drawings to the requirements of your particular project. Longboard Architectural products accepts no liability in respect to the use of these drawings. For complete installation instructions refer to the appropriate documentation here www.longboardproducts.com/resources/technical-documentation/installation-guides

LINK & LOCK™ - 4" END MOUNT
ALUMINUM ALLOY: 6063-T5
WEIGHT: 0.224 LBS
SCALE: 1:1

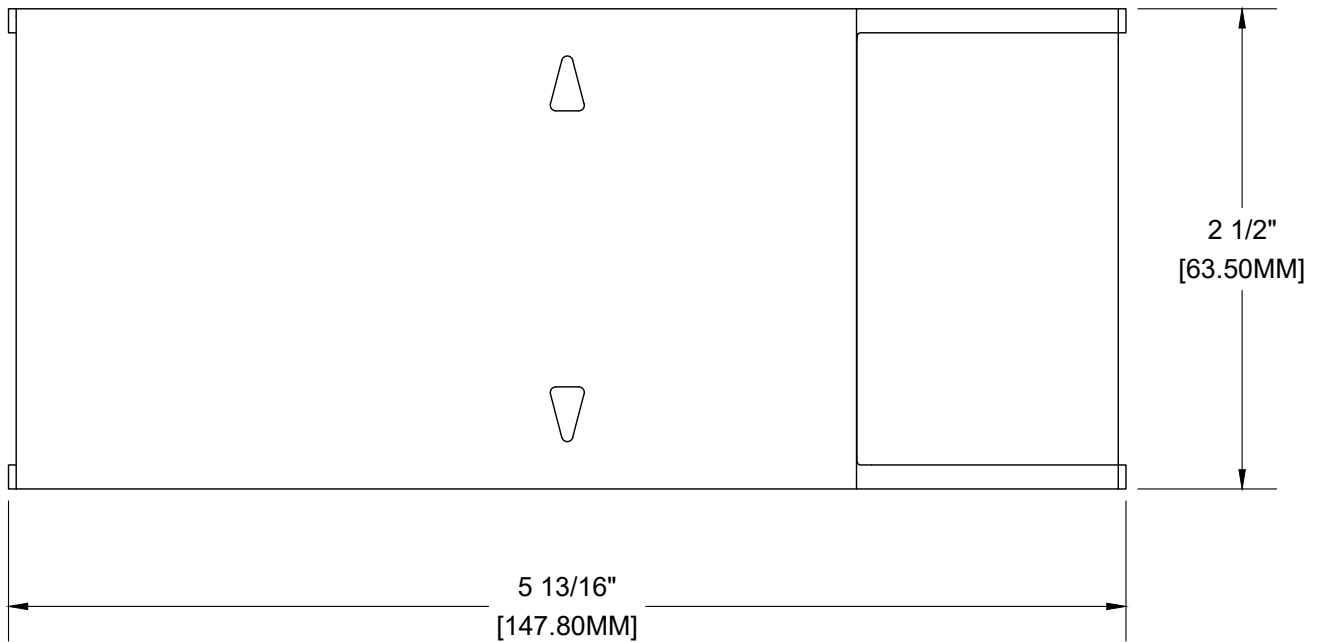




ISOMETRIC VIEW



TOP VIEW

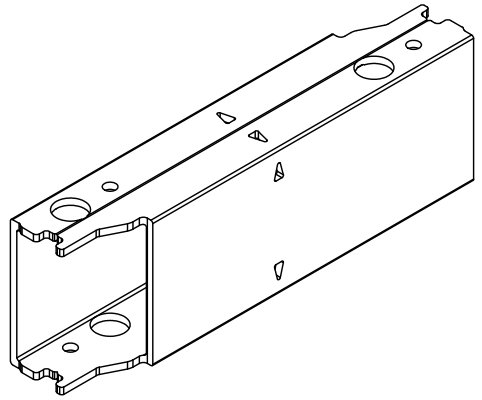


SIDE VIEW

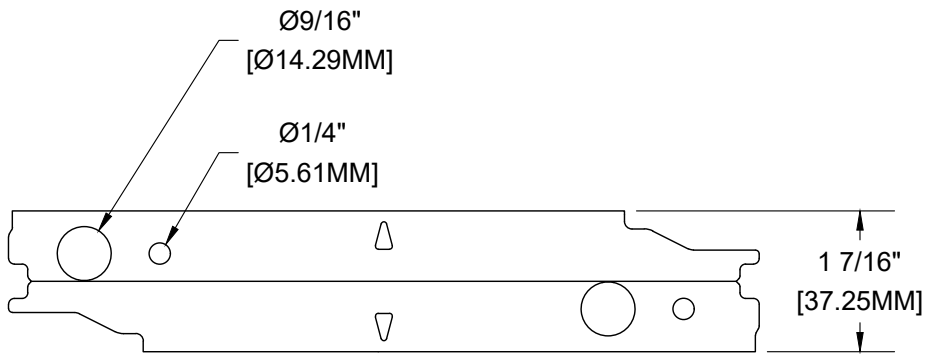
These drawings are published as an information guide only. These CAD drawings are intended as templates to assist the designer, they do not contain the full detail required for construction and must be read in conjunction with the installation instructions on www.longboardproducts.com. You should obtain architectural, engineering or other technical advice to assess the suitability of these drawings to the requirements of your particular project. Longboard Architectural products accepts no liability in respect to the use of these drawings. For complete installation instructions refer to the appropriate documentation here www.longboardproducts.com/resources/technical-documentation/installation-guides

LINK & LOCK™ - 6" END MOUNT
ALUMINUM ALLOY: 6063-T5
WEIGHT: 0.405 LBS
SCALE: 1:1

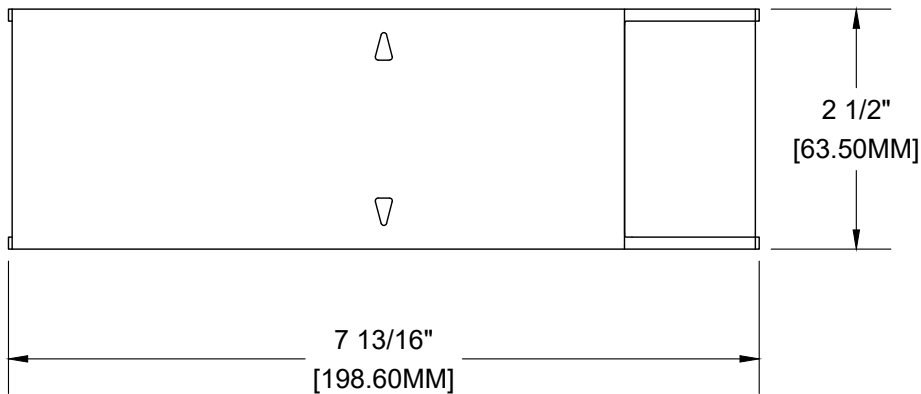




ISOMETRIC VIEW



TOP VIEW

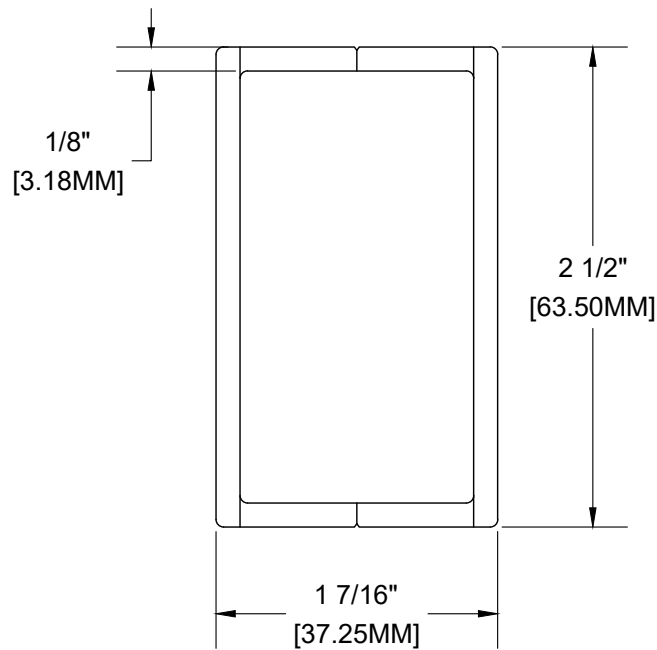


SIDE VIEW

These drawings are published as an information guide only. These CAD drawings are intended as templates to assist the designer, they do not contain the full detail required for construction and must be read in conjunction with the installation instructions on www.longboardproducts.com. You should obtain architectural, engineering or other technical advice to assess the suitability of these drawings to the requirements of your particular project. Longboard Architectural products accepts no liability in respect to the use of these drawings. For complete installation instructions refer to the appropriate documentation here www.longboardproducts.com/resources/technical-documentation/installation-guides

LINK & LOCK™ - 8" END MOUNT
ALUMINUM ALLOY: 6063-T5
WEIGHT: 0.586 LBS
SCALE: 1:2

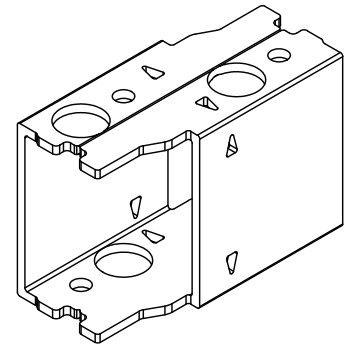




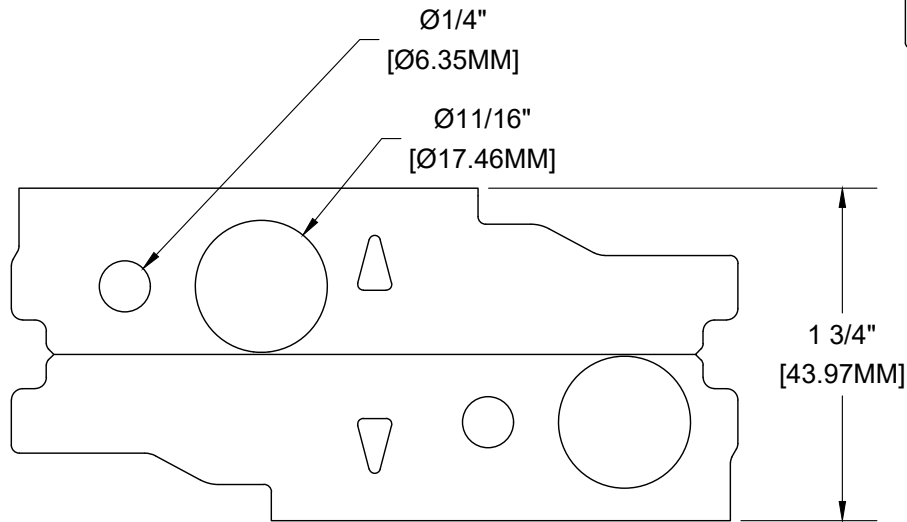
These drawings are published as an information guide only. These CAD drawings are intended as templates to assist the designer, they do not contain the full detail required for construction and must be read in conjunction with the installation instructions on www.longboardproducts.com. You should obtain architectural, engineering or other technical advice to assess the suitability of these drawings to the requirements of your particular project.
Longboard Architectural products accepts no liability in respect to the use of these drawings.
For complete installation instructions refer to the appropriate documentation here www.longboardproducts.com/resources/technical-documentation/installation-guides

LINK & LOCK™ - END MOUNT
(FRONT VIEW)
ALUMINUM ALLOY: 6063-T5
SCALE: 1:1

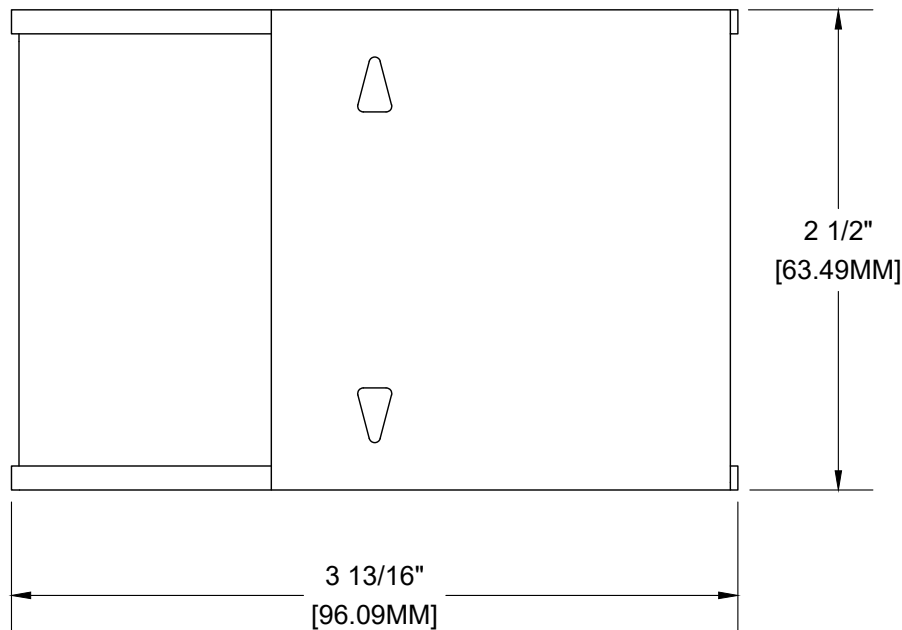




ISOMETRIC VIEW



TOP VIEW



SIDE VIEW

These drawings are published as an information guide only. These CAD drawings are intended as templates to assist the designer, they do not contain the full detail required for construction and must be read in conjunction with the installation instructions on www.longboardproducts.com. You should obtain architectural, engineering or other technical advice to assess the suitability of these drawings to the requirements of your particular project. Longboard Architectural products accepts no liability in respect to the use of these drawings. For complete installation instructions refer to the appropriate documentation here www.longboardproducts.com/resources/technical-documentation/installation-guides

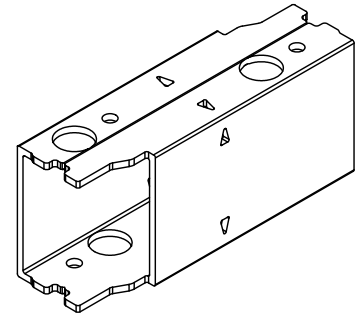
LINK & LOCK™ HD - 4" END MOUNT

ALUMINUM ALLOY: 6063-T5

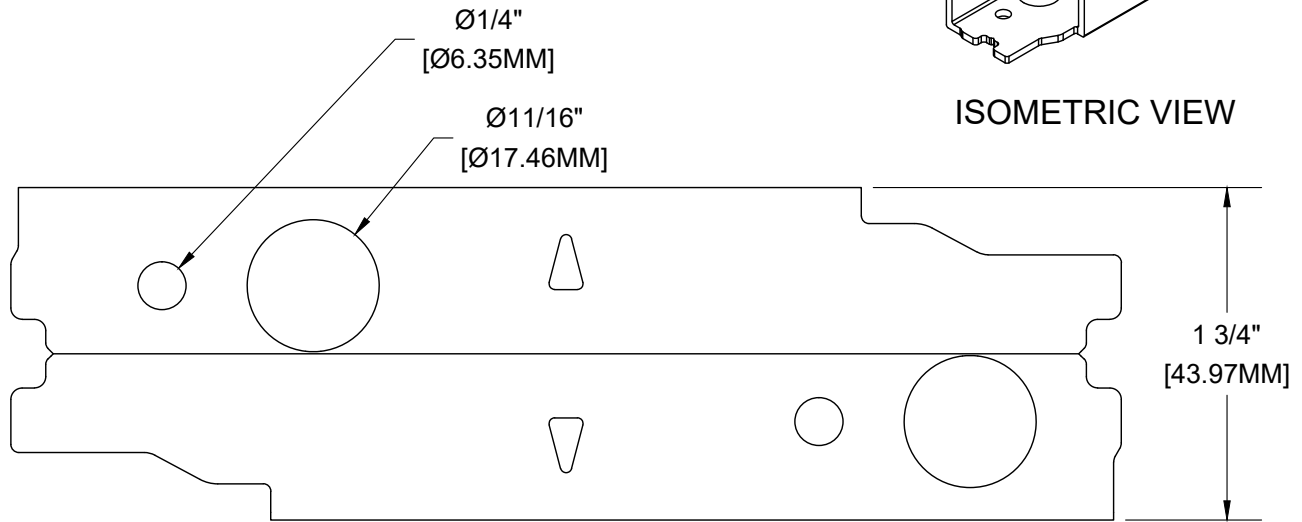
WEIGHT: 0.243 LBS

SCALE: 1:1

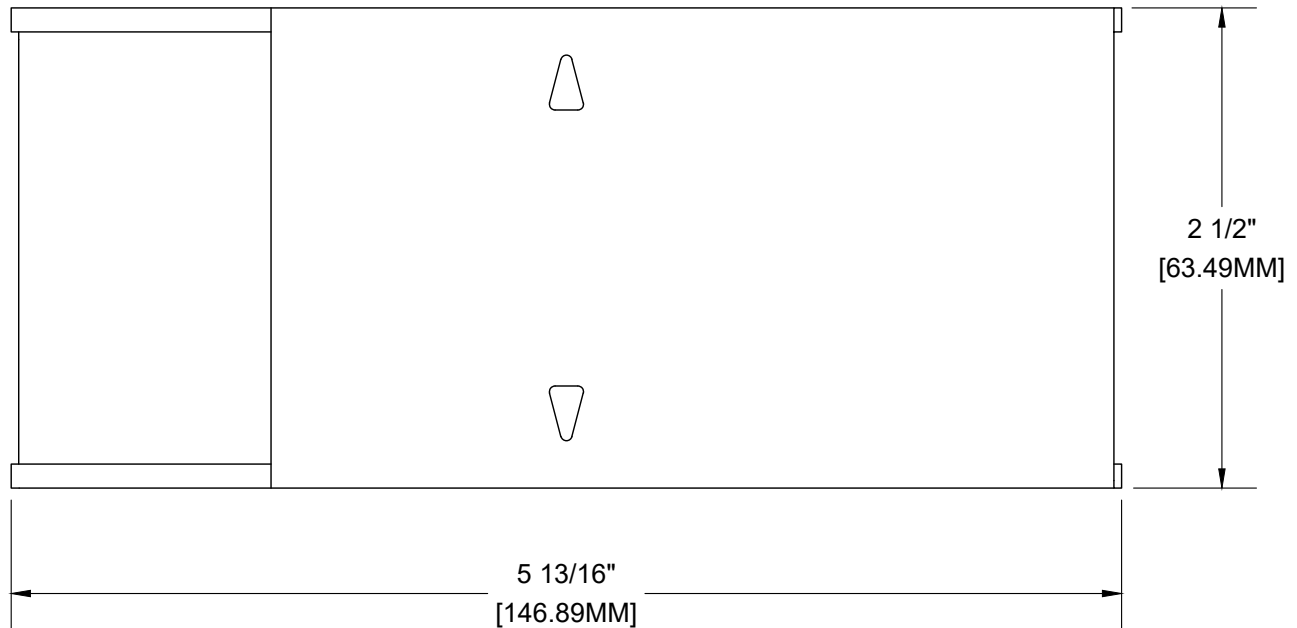




ISOMETRIC VIEW



TOP VIEW



SIDE VIEW

These drawings are published as an information guide only. These CAD drawings are intended as templates to assist the designer, they do not contain the full detail required for construction and must be read in conjunction with the installation instructions on www.longboardproducts.com. You should obtain architectural, engineering or other technical advice to assess the suitability of these drawings to the requirements of your particular project. Longboard Architectural products accepts no liability in respect to the use of these drawings. For complete installation instructions refer to the appropriate documentation here www.longboardproducts.com/resources/technical-documentation/installation-guides

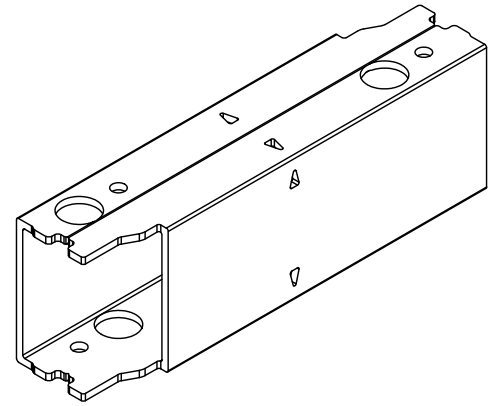
LINK & LOCK™ HD - 6" END MOUNT

ALUMINUM ALLOY: 6063-T5

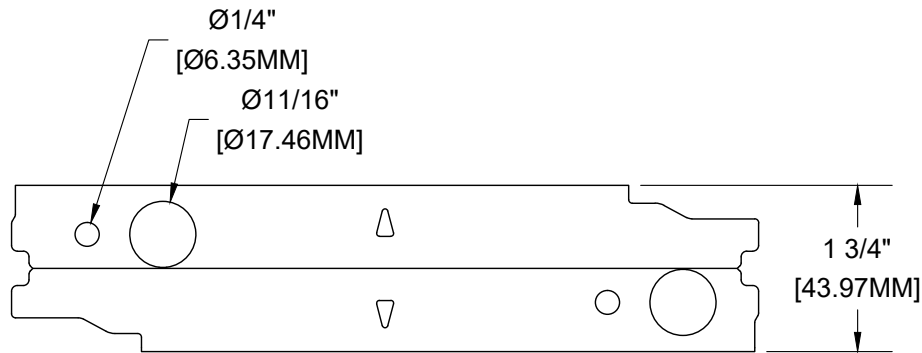
WEIGHT: 0.405 LBS

SCALE: 1:1

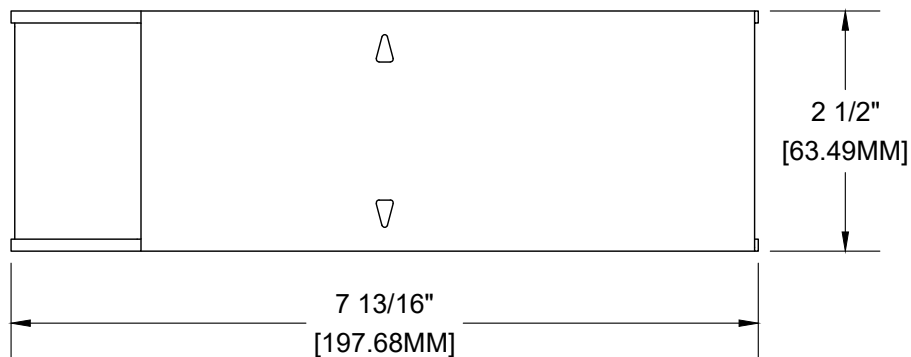




ISOMETRIC VIEW



TOP VIEW

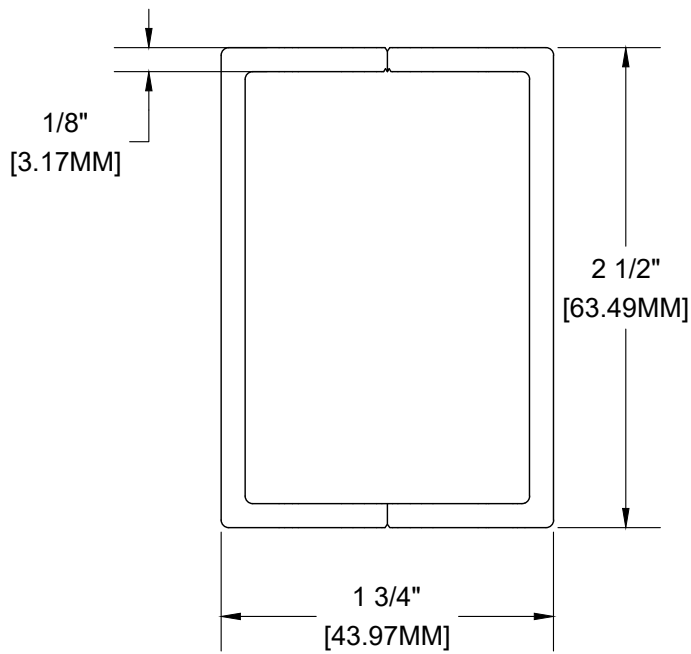


SIDE VIEW

These drawings are published as an information guide only. These CAD drawings are intended as templates to assist the designer, they do not contain the full detail required for construction and must be read in conjunction with the installation instructions on www.longboardproducts.com. You should obtain architectural, engineering or other technical advice to assess the suitability of these drawings to the requirements of your particular project. Longboard Architectural products accepts no liability in respect to the use of these drawings. For complete installation instructions refer to the appropriate documentation here www.longboardproducts.com/resources/technical-documentation/installation-guides

LINK & LOCK™ HD - 8" END MOUNT
ALUMINUM ALLOY: 6063-T5
WEIGHT: 0.586 LBS
SCALE: 1:2

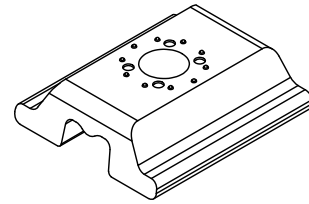




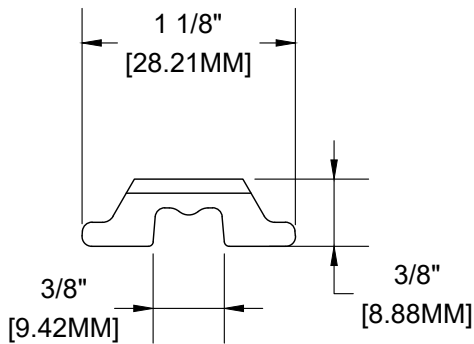
These drawings are published as an information guide only. These CAD drawings are intended as templates to assist the designer, they do not contain the full detail required for construction and must be read in conjunction with the installation instructions on www.longboardproducts.com. You should obtain architectural, engineering or other technical advice to assess the suitability of these drawings to the requirements of your particular project. Longboard Architectural products accepts no liability in respect to the use of these drawings. For complete installation instructions refer to the appropriate documentation here www.longboardproducts.com/resources/technical-documentation/installation-guides

LINK & LOCK™ HD - END MOUNT
(FRONT VIEW)
ALUMINUM ALLOY: 6063-T5
SCALE: 1:1

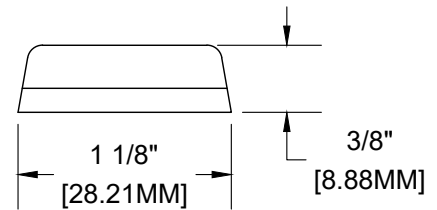




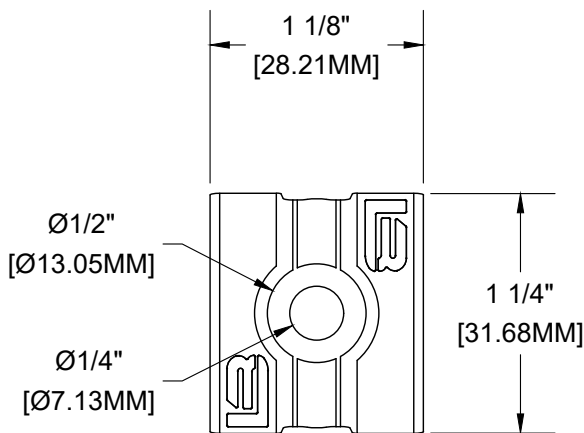
ISOMETRIC VIEW



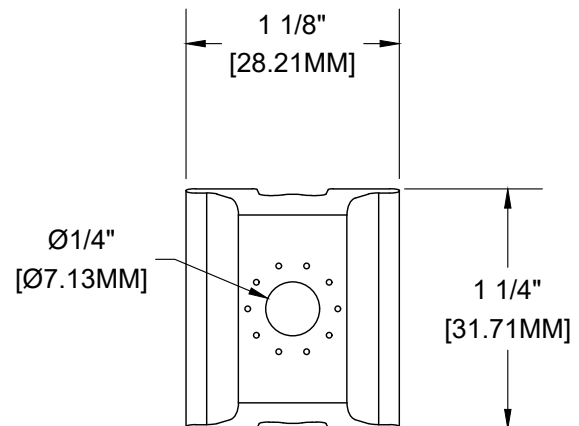
FRONT VIEW



SIDE VIEW



BOTTOM VIEW

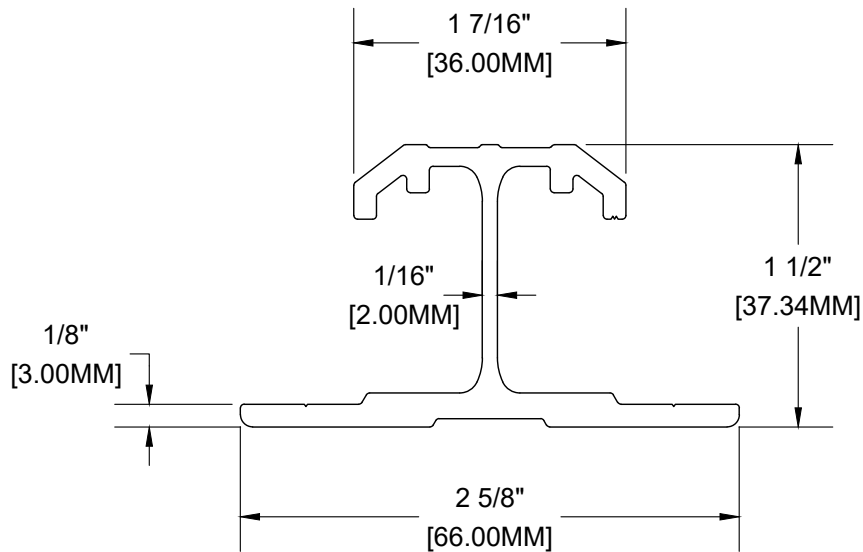


TOP VIEW

These drawings are published as an information guide only. These CAD drawings are intended as templates to assist the designer, they do not contain the full detail required for construction and must be read in conjunction with the installation instructions on www.longboardproducts.com. You should obtain architectural, engineering or other technical advice to assess the suitability of these drawings to the requirements of your particular project.
Longboard Architectural products accepts no liability in respect to the use of these drawings. For complete installation instructions refer to the appropriate documentation here www.longboardproducts.com/resources/technical-documentation/installation-guides

LINK & LOCK™ - MOUNTING CLIP
MATERIAL: NYLON 6 WITH 30% GLASS FILL
WEIGHT: 0.015 LBS
SCALE: 1:1

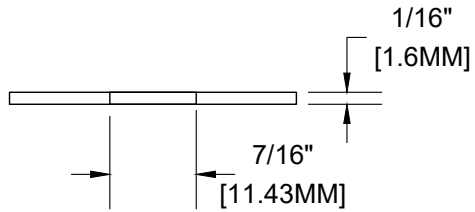




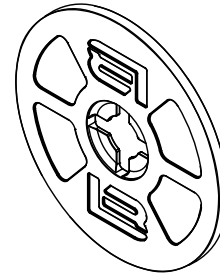
These drawings are published as an information guide only. These CAD drawings are intended as templates to assist the designer, they do not contain the full detail required for construction and must be read in conjunction with the installation instructions on www.longboardproducts.com. You should obtain architectural, engineering or other technical advice to assess the suitability of these drawings to the requirements of your particular project. Longboard Architectural products accepts no liability in respect to the use of these drawings. For complete installation instructions refer to the appropriate documentation here www.longboardproducts.com/resources/technical-documentation/installation-guides

LINK & LOCK™ - INTERNAL STIFFENER
ALUMINUM ALLOY: 6063-T5
WEIGHT: 0.808 LBS/ LF
SCALE: 1:1

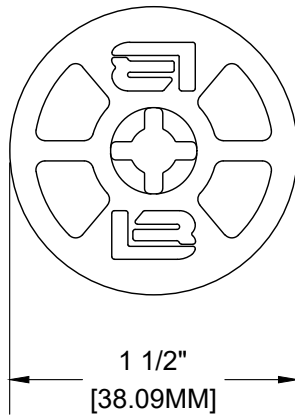




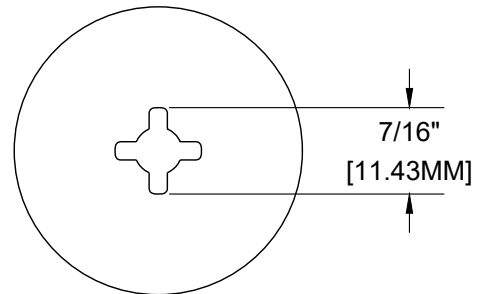
SIDE VIEW



ISOMETRIC VIEW



FRONT VIEW

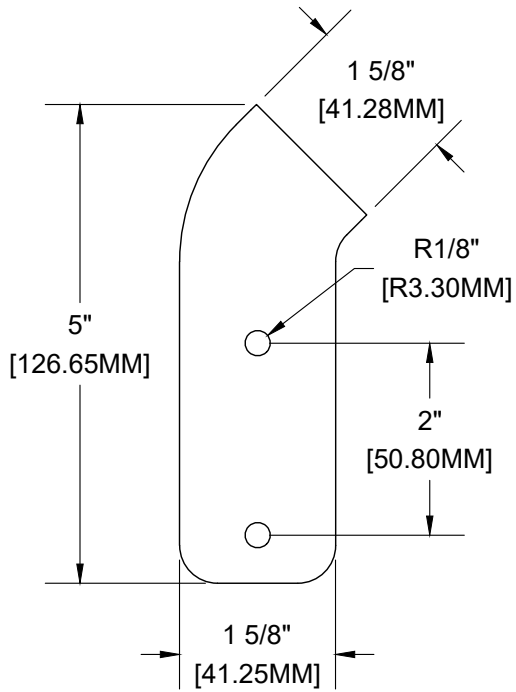


BACK VIEW

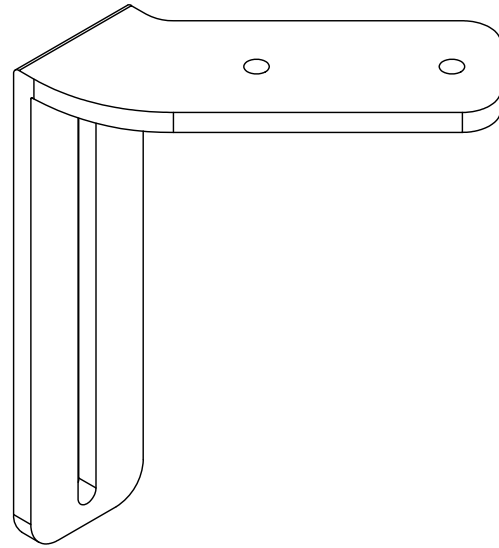
These drawings are published as an information guide only. These CAD drawings are intended as templates to assist the designer, they do not contain the full detail required for construction and must be read in conjunction with the installation instructions on www.longboardproducts.com. You should obtain architectural, engineering or other technical advice to assess the suitability of these drawings to the requirements of your particular project. Longboard Architectural products accepts no liability in respect to the use of these drawings. For complete installation instructions refer to the appropriate documentation here www.longboardproducts.com/resources/technical-documentation/installation-guides

LINK & LOCK™ - ISOLATION WASHER
MATERIAL: NYLON 6 WITH 30% GLASS FILL
WEIGHT: 0.004 LBS
SCALE: 1:1

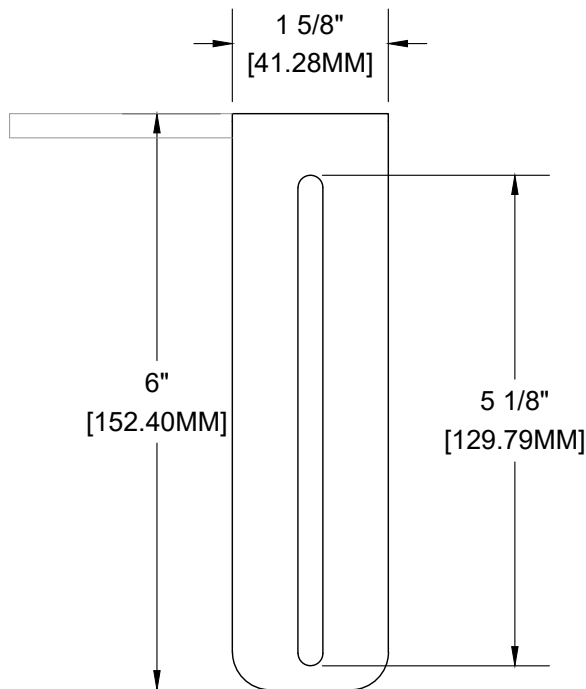




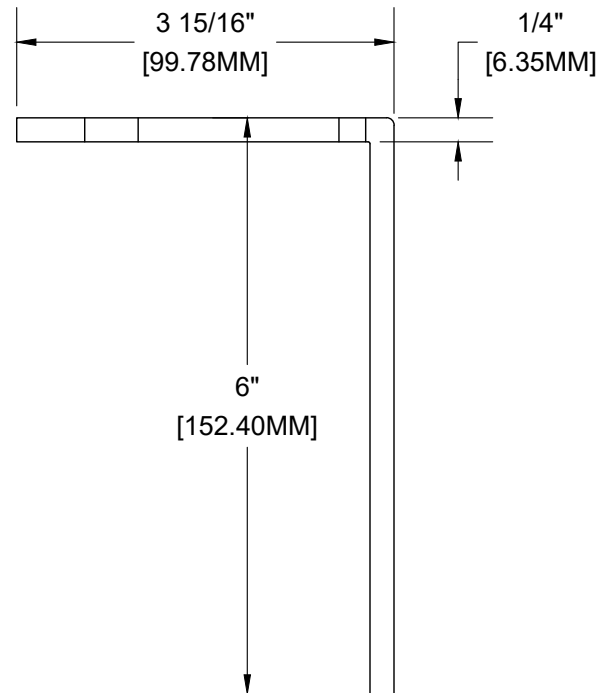
TOP VIEW



ISOMETRIC VIEW



FRONT VIEW

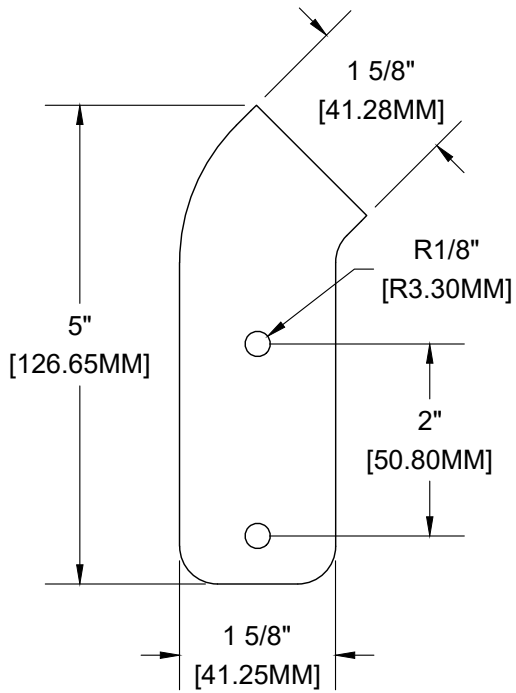


SIDE VIEW

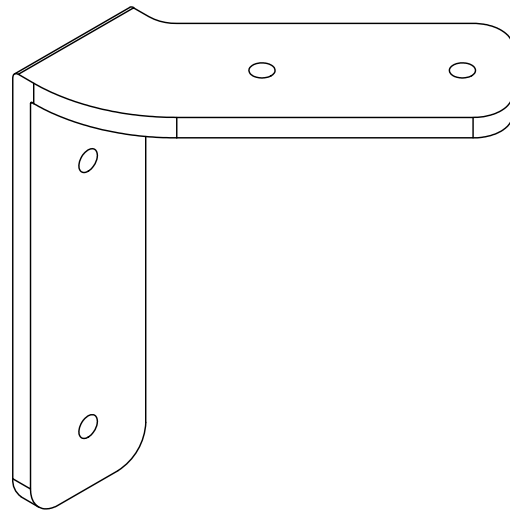
These drawings are published as an information guide only. These CAD drawings are intended as templates to assist the designer, they do not contain the full detail required for construction and must be read in conjunction with the installation instructions on www.longboardproducts.com. You should obtain architectural, engineering or other technical advice to assess the suitability of these drawings to the requirements of your particular project. Longboard Architectural products accepts no liability in respect to the use of these drawings. For complete installation instructions refer to the appropriate documentation here www.longboardproducts.com/resources/technical-documentation/installation-guides

LINK & LOCK™ BRACKET
 - 45° RIGHT SLIDING
 ALUMINUM ALLOY: 6061-T6
 WEIGHT: 0.3718 LBS
 SCALE: 1:2

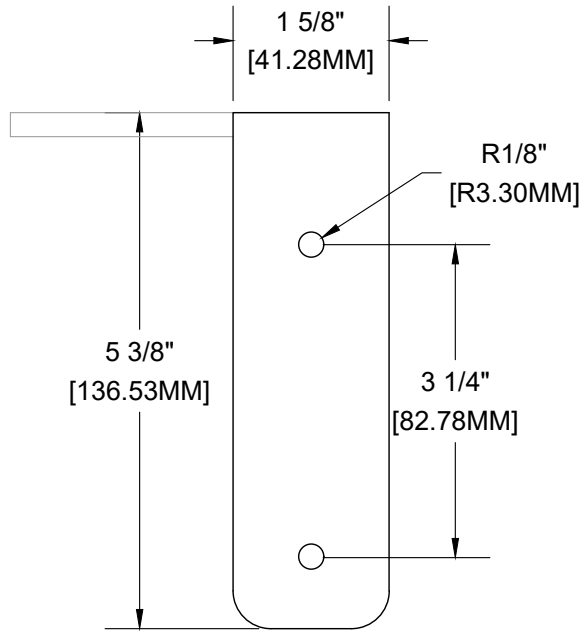




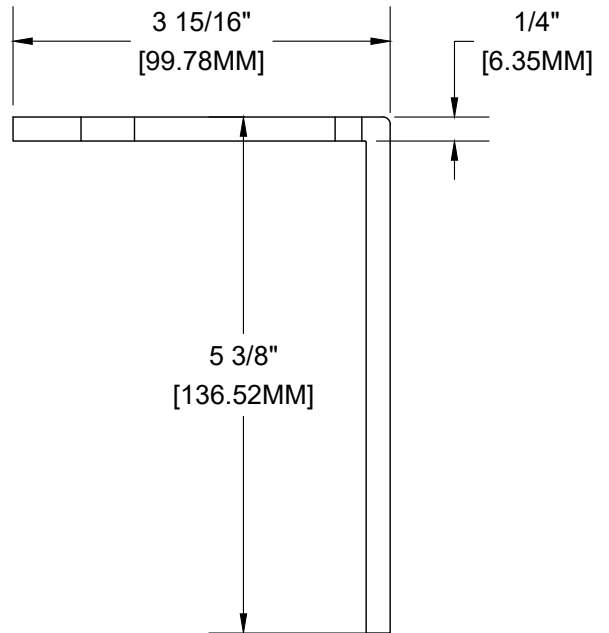
TOP VIEW



ISOMETRIC VIEW



FRONT VIEW

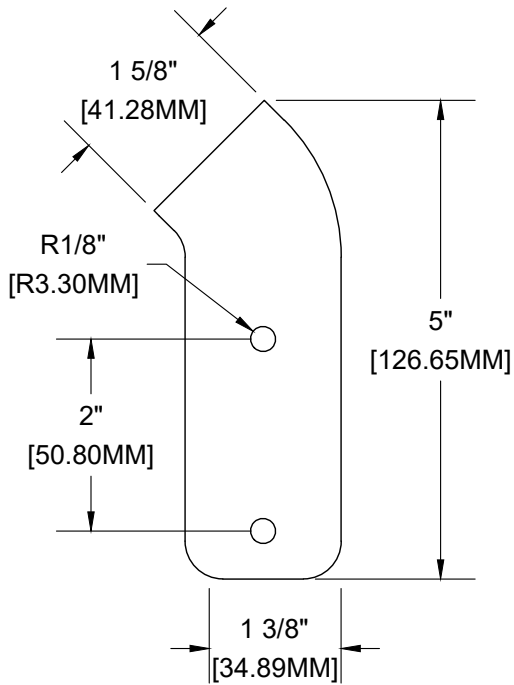


SIDE VIEW

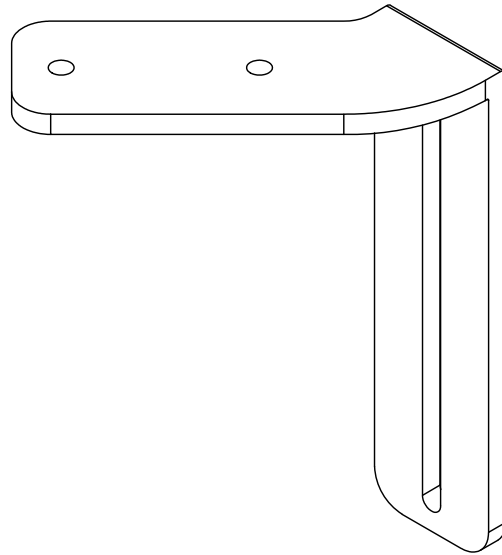
These drawings are published as an information guide only. These CAD drawings are intended as templates to assist the designer, they do not contain the full detail required for construction and must be read in conjunction with the installation instructions on www.longboardproducts.com. You should obtain architectural, engineering or other technical advice to assess the suitability of these drawings to the requirements of your particular project. Longboard Architectural products accepts no liability in respect to the use of these drawings. For complete installation instructions refer to the appropriate documentation here www.longboardproducts.com/resources/technical-documentation/installation-guides

LINK & LOCK™ BRACKET
- 45° RIGHT FIXED
ALUMINUM ALLOY: 6061-T6
WEIGHT: 0.3718 LBS
SCALE: 1:2

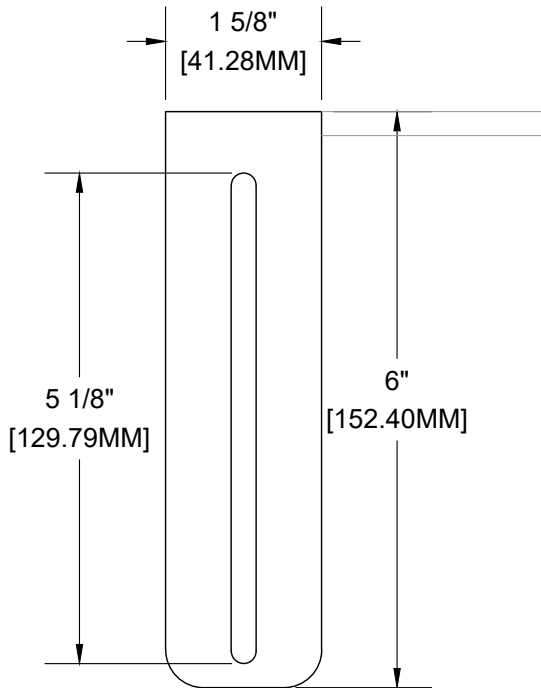




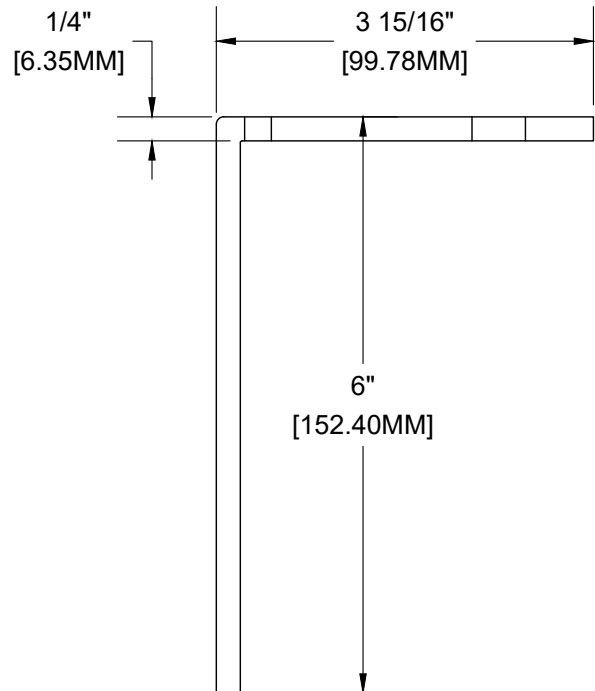
TOP VIEW



ISOMETRIC VIEW



FRONT VIEW

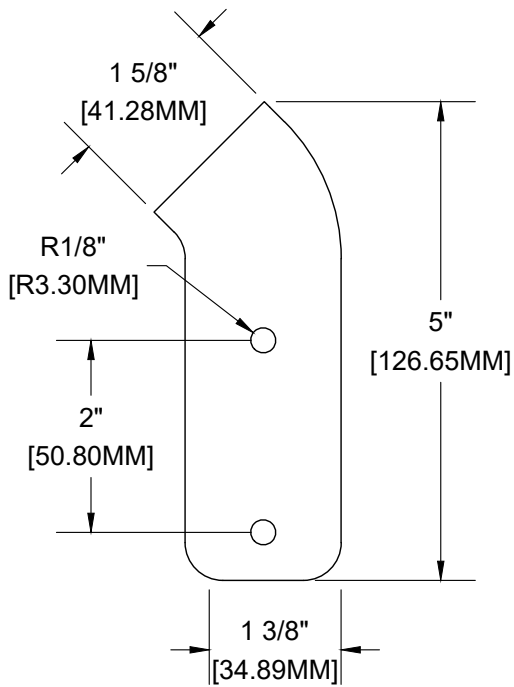


SIDE VIEW

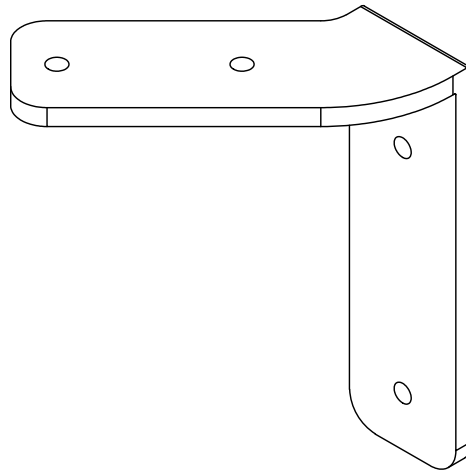
These drawings are published as an information guide only. These CAD drawings are intended as templates to assist the designer, they do not contain the full detail required for construction and must be read in conjunction with the installation instructions on www.longboardproducts.com. You should obtain architectural, engineering or other technical advice to assess the suitability of these drawings to the requirements of your particular project. Longboard Architectural products accepts no liability in respect to the use of these drawings. For complete installation instructions refer to the appropriate documentation here www.longboardproducts.com/resources/technical-documentation/installation-guides

LINK & LOCK™ BRACKET
 - 45° LEFT SLIDING
 ALUMINUM ALLOY: 6061-T6
 WEIGHT: 0.3718 LBS
 SCALE: 1:2

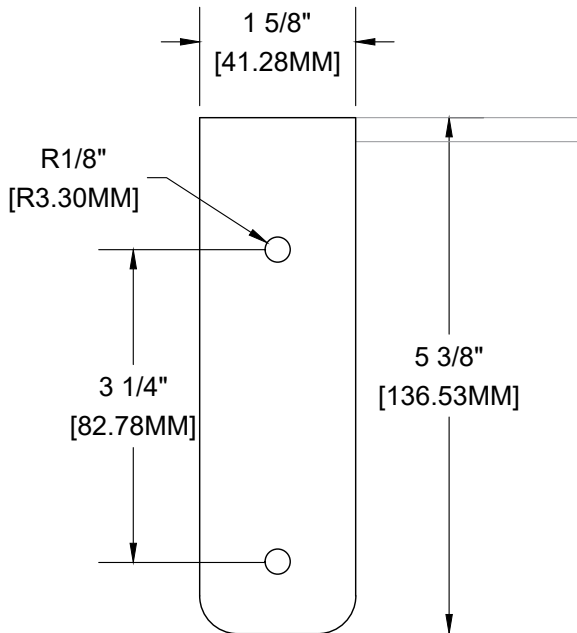




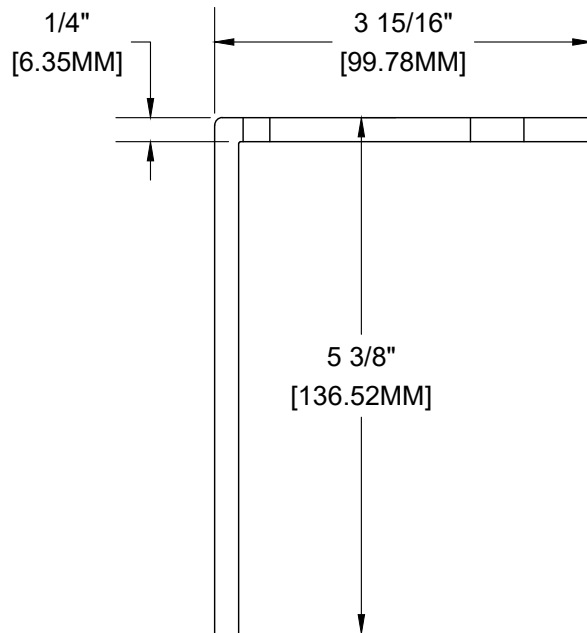
TOP VIEW



ISOMETRIC VIEW



FRONT VIEW

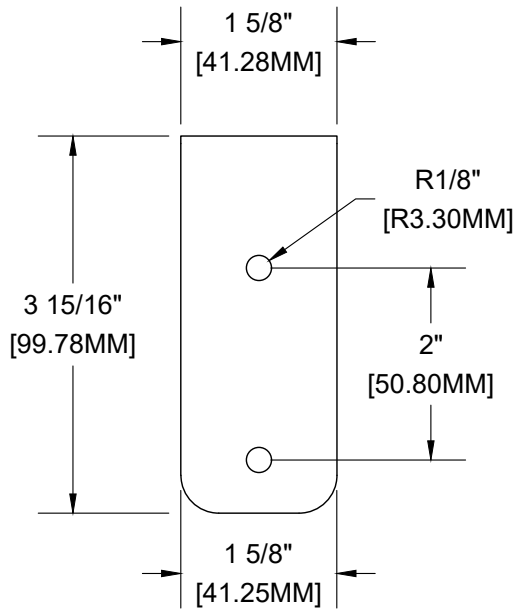


SIDE VIEW

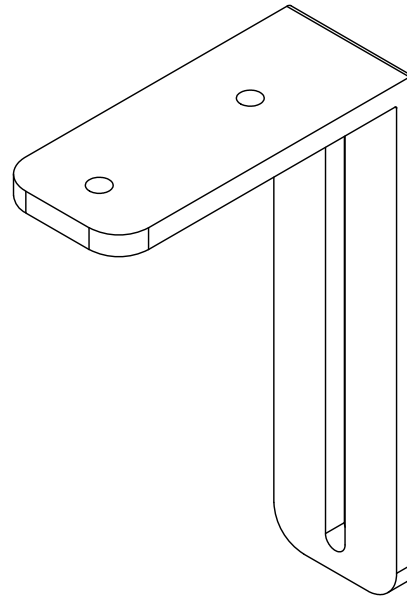
These drawings are published as an information guide only. These CAD drawings are intended as templates to assist the designer, they do not contain the full detail required for construction and must be read in conjunction with the installation instructions on www.longboardproducts.com. You should obtain architectural, engineering or other technical advice to assess the suitability of these drawings to the requirements of your particular project. Longboard Architectural products accepts no liability in respect to the use of these drawings. For complete installation instructions refer to the appropriate documentation here www.longboardproducts.com/resources/technical-documentation/installation-guides

LINK & LOCK™ BRACKET
- 45° LEFT FIXED
 ALUMINUM ALLOY: 6061-T6
 WEIGHT: 0.3718 LBS
 SCALE: 1:2

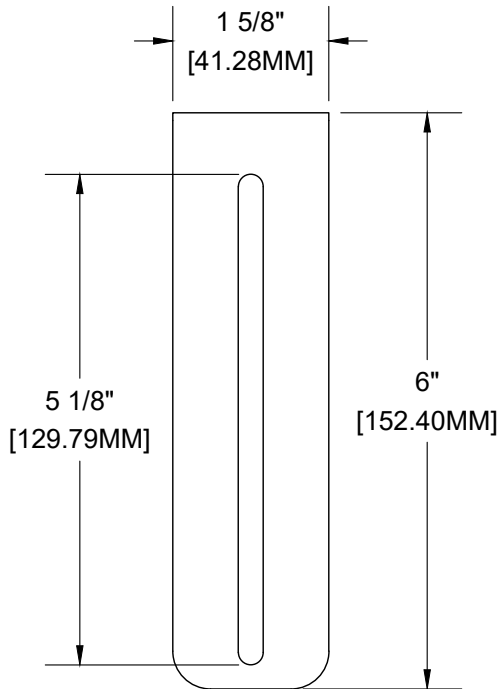




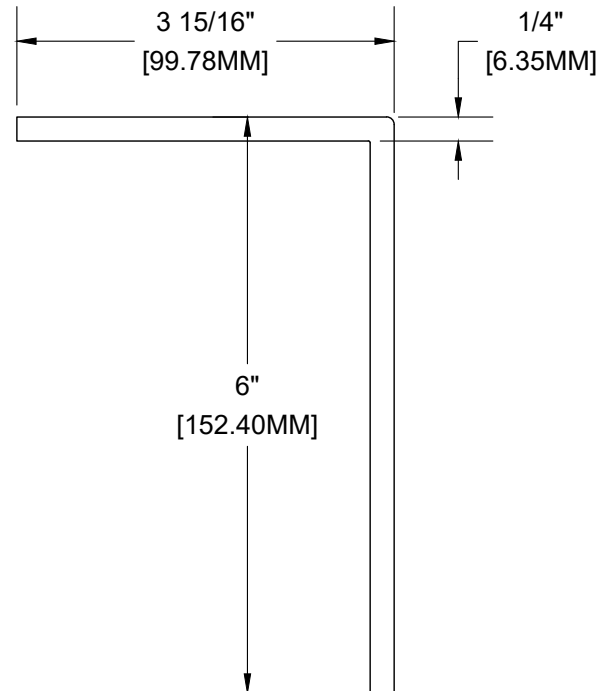
TOP VIEW



ISOMETRIC VIEW



FRONT VIEW

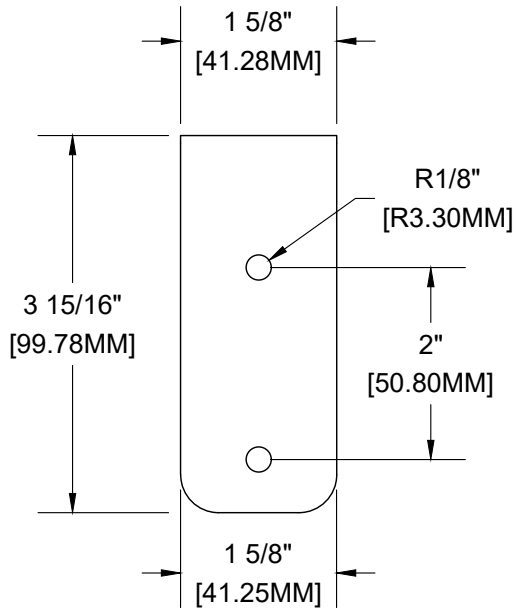


SIDE VIEW

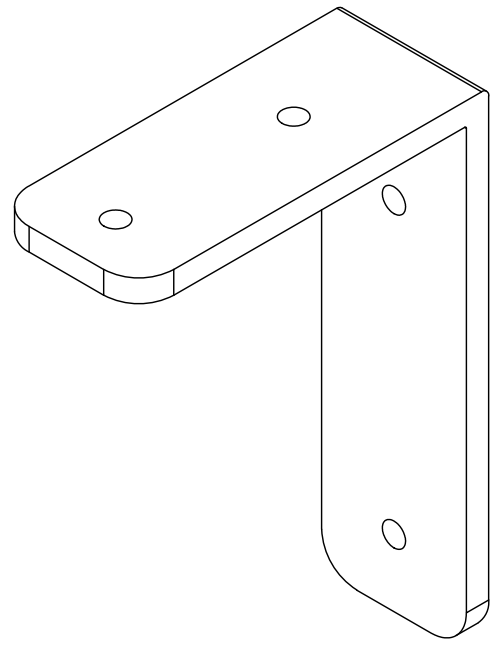
These drawings are published as an information guide only. These CAD drawings are intended as templates to assist the designer, they do not contain the full detail required for construction and must be read in conjunction with the installation instructions on www.longboardproducts.com. You should obtain architectural, engineering or other technical advice to assess the suitability of these drawings to the requirements of your particular project. Longboard Architectural products accepts no liability in respect to the use of these drawings. For complete installation instructions refer to the appropriate documentation here www.longboardproducts.com/resources/technical-documentation/installation-guides

LINK & LOCK™ BRACKET
 - 90° CENTER SLIDING
 ALUMINUM ALLOY: 6061-T6
 WEIGHT: 0.3718 LBS
 SCALE: 1:2

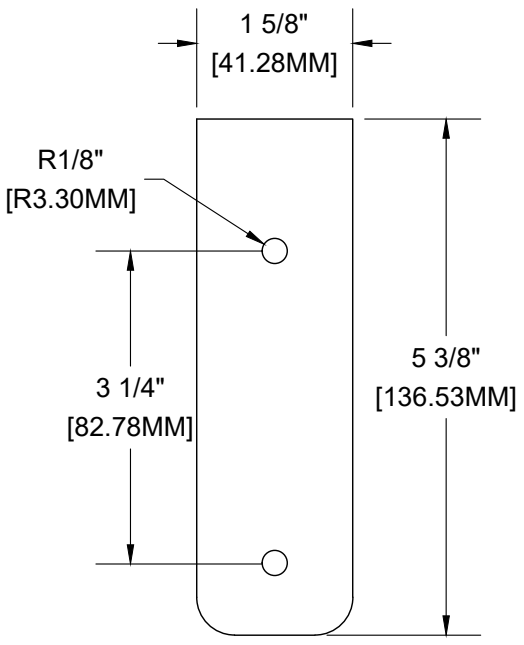




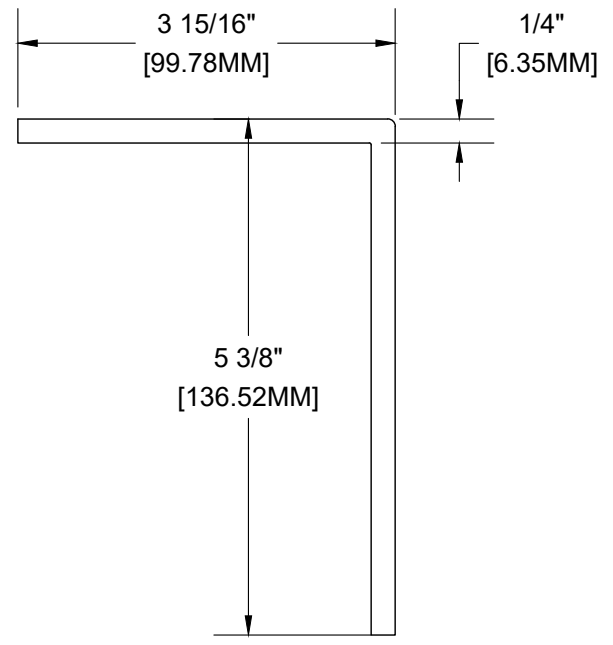
TOP VIEW



ISOMETRIC VIEW



FRONT VIEW

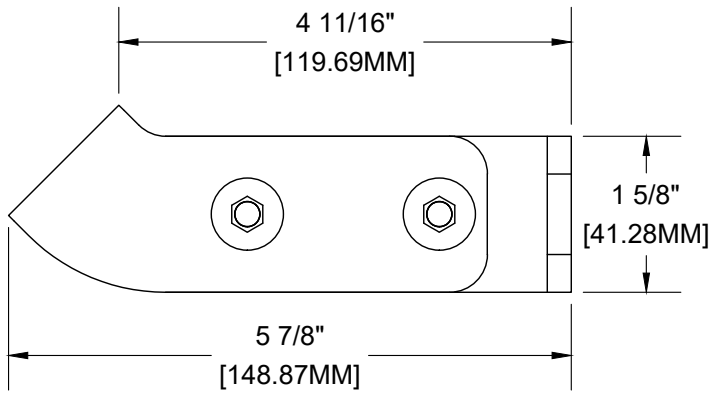


SIDE VIEW

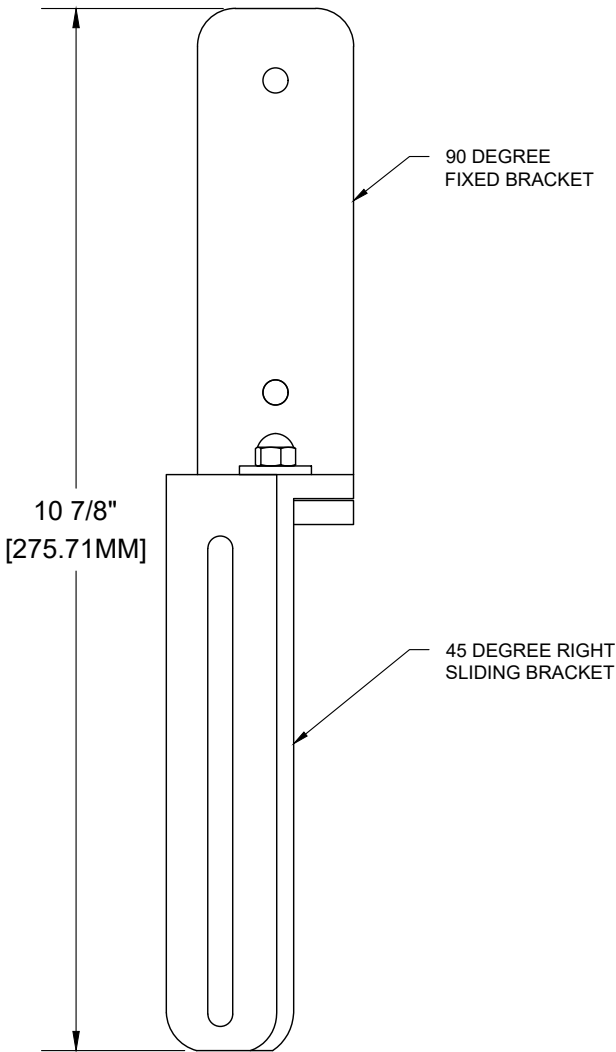
These drawings are published as an information guide only. These CAD drawings are intended as templates to assist the designer, they do not contain the full detail required for construction and must be read in conjunction with the installation instructions on www.longboardproducts.com. You should obtain architectural, engineering or other technical advice to assess the suitability of these drawings to the requirements of your particular project. Longboard Architectural products accepts no liability in respect to the use of these drawings. For complete installation instructions refer to the appropriate documentation here www.longboardproducts.com/resources/technical-documentation/installation-guides

LINK & LOCK™ BRACKET
 - 90° CENTER FIXED
 ALUMINUM ALLOY: 6061-T6
 WEIGHT: 0.3718 LBS
 SCALE: 1:2

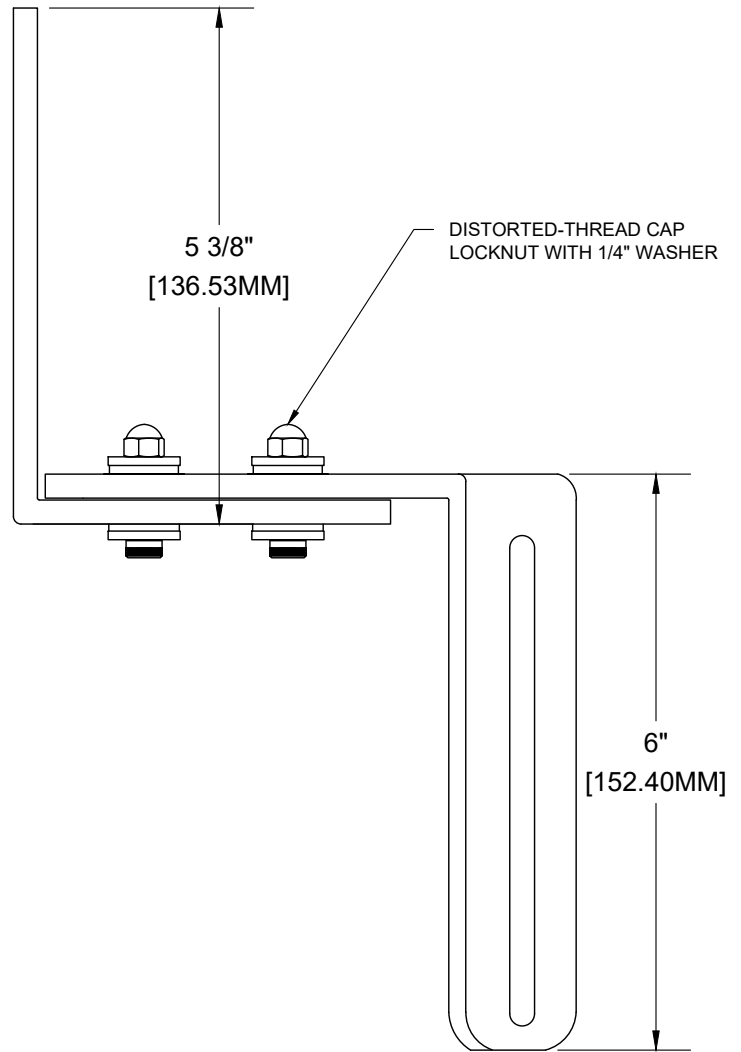




TOP VIEW



FRONT VIEW



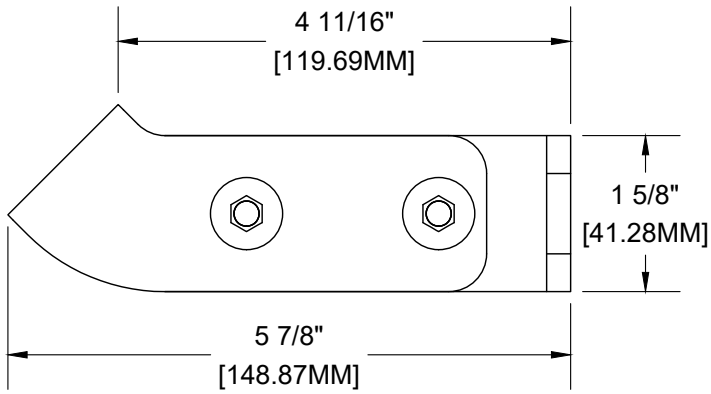
SIDE VIEW

These drawings are published as an information guide only. These CAD drawings are intended as templates to assist the designer, they do not contain the full detail required for construction and must be read in conjunction with the installation instructions on www.longboardproducts.com. You should obtain architectural, engineering or other technical advice to assess the suitability of these drawings to the requirements of your particular project. Longboard Architectural products accepts no liability in respect to the use of these drawings. For complete installation instructions refer to the appropriate documentation here www.longboardproducts.com/resources/technical-documentation/installation-guides

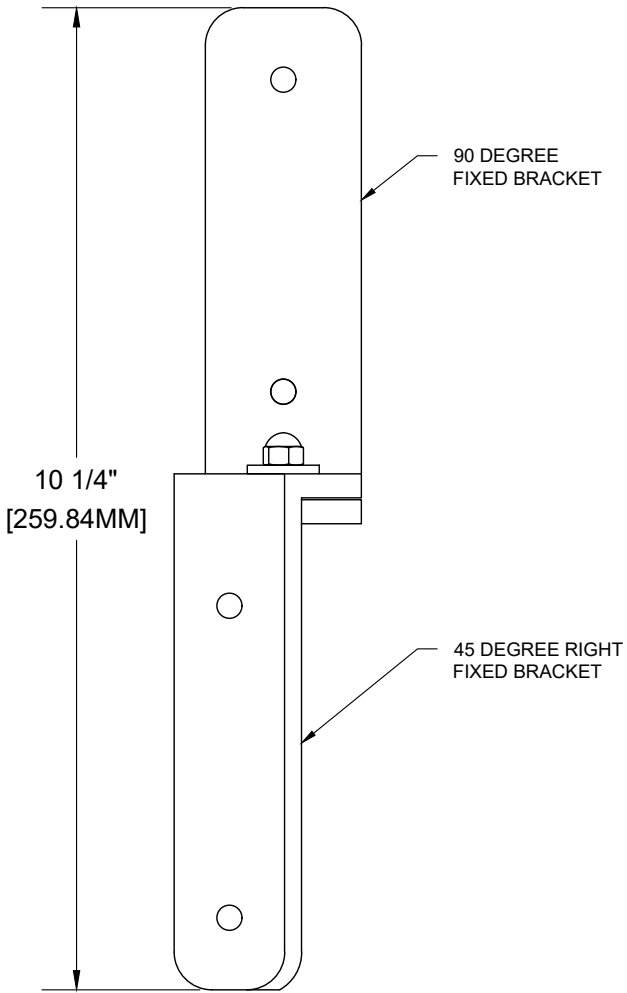
LINK & LOCK™ DUAL BRACKET
- 45° RIGHT SLIDING

SCALE: 1:2

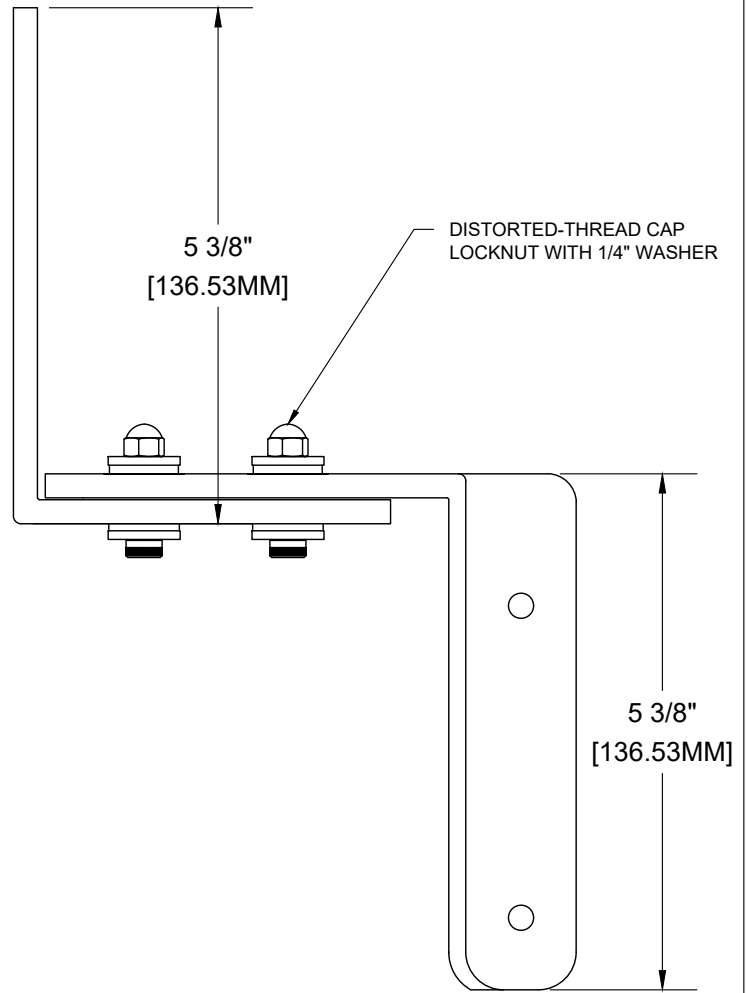




TOP VIEW



FRONT VIEW



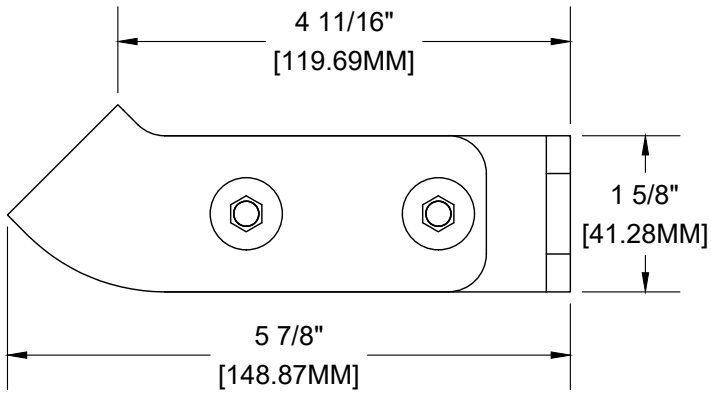
SIDE VIEW

These drawings are published as an information guide only. These CAD drawings are intended as templates to assist the designer, they do not contain the full detail required for construction and must be read in conjunction with the installation instructions on www.longboardproducts.com. You should obtain architectural, engineering or other technical advice to assess the suitability of these drawings to the requirements of your particular project. Longboard Architectural products accepts no liability in respect to the use of these drawings. For complete installation instructions refer to the appropriate documentation here www.longboardproducts.com/resources/technical-documentation/installation-guides

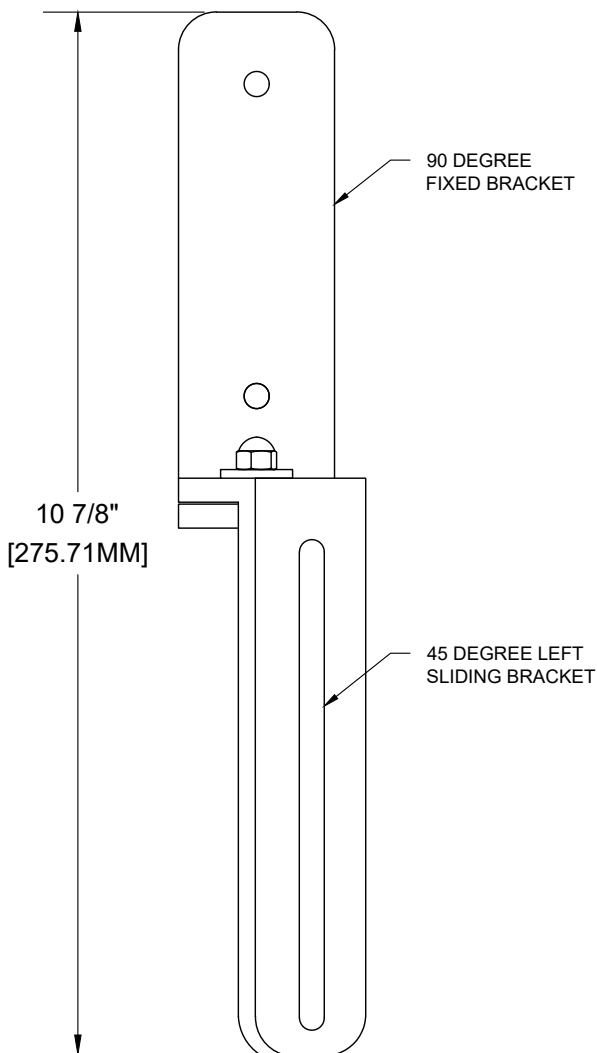
LINK & LOCK™ DUAL BRACKET
- 45° RIGHT FIXED

SCALE: 1:2

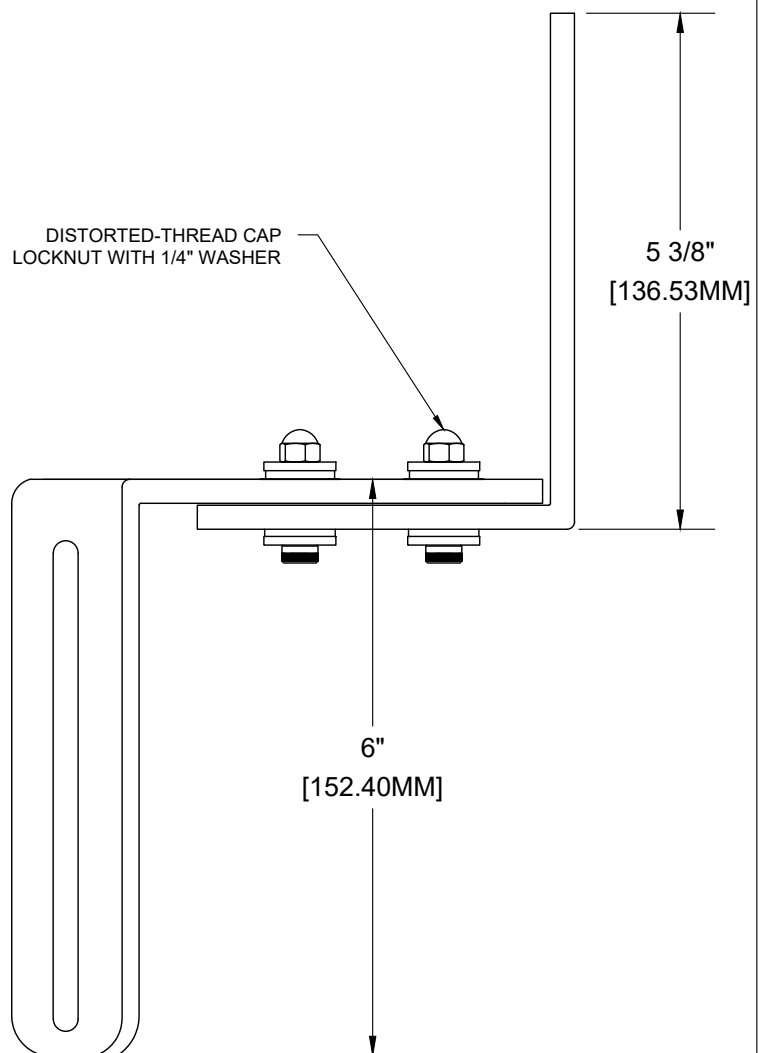




TOP VIEW



FRONT VIEW



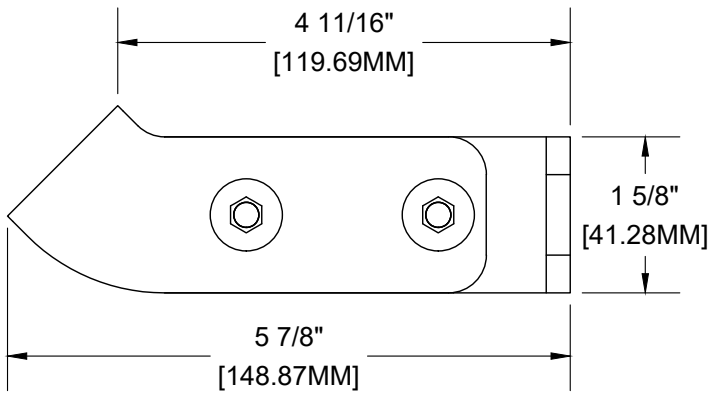
SIDE VIEW

These drawings are published as an information guide only. These CAD drawings are intended as templates to assist the designer, they do not contain the full detail required for construction and must be read in conjunction with the installation instructions on www.longboardproducts.com. You should obtain architectural, engineering or other technical advice to assess the suitability of these drawings to the requirements of your particular project. Longboard Architectural products accepts no liability in respect to the use of these drawings. For complete installation instructions refer to the appropriate documentation here www.longboardproducts.com/resources/technical-documentation/installation-guides

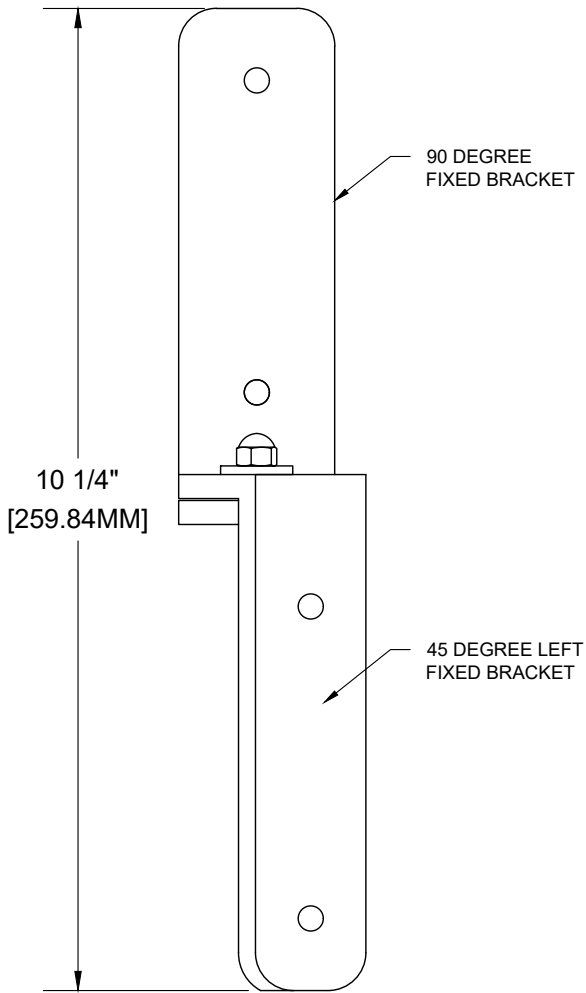
LINK & LOCK™ DUAL BRACKET
- 45° LEFT SLIDING

SCALE: 1:2

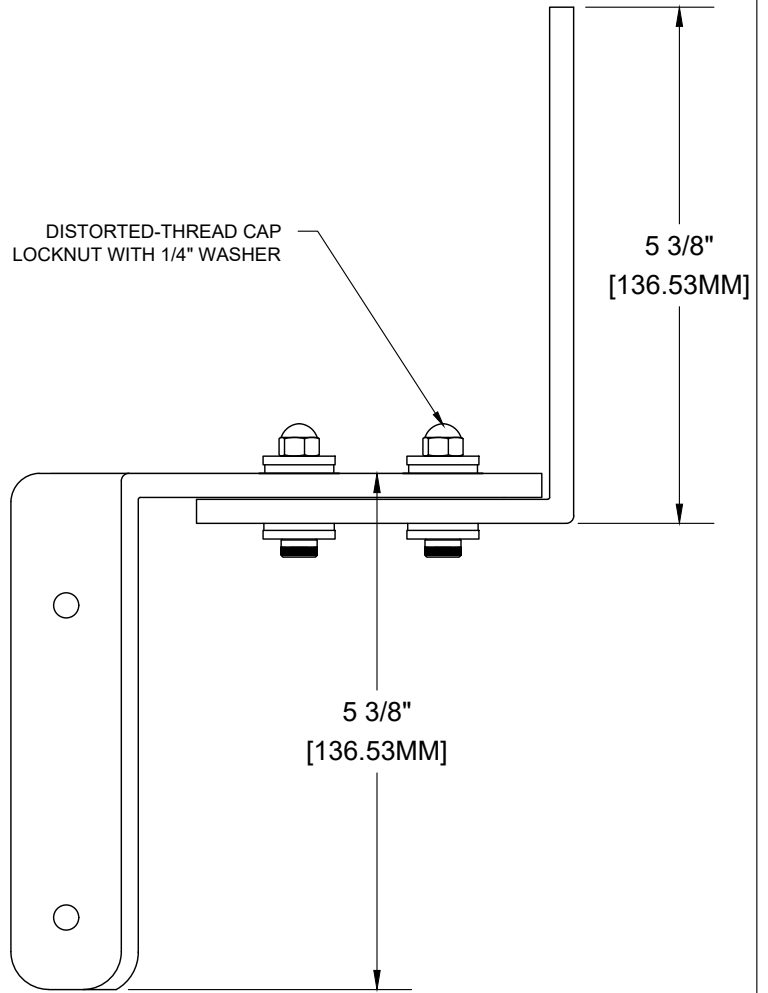




TOP VIEW



FRONT VIEW



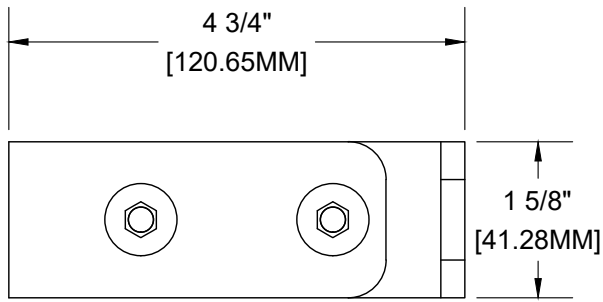
SIDE VIEW

These drawings are published as an information guide only. These CAD drawings are intended as templates to assist the designer, they do not contain the full detail required for construction and must be read in conjunction with the installation instructions on www.longboardproducts.com. You should obtain architectural, engineering or other technical advice to assess the suitability of these drawings to the requirements of your particular project.
 Longboard Architectural products accepts no liability in respect to the use of these drawings. For complete installation instructions refer to the appropriate documentation here www.longboardproducts.com/resources/technical-documentation/installation-guides

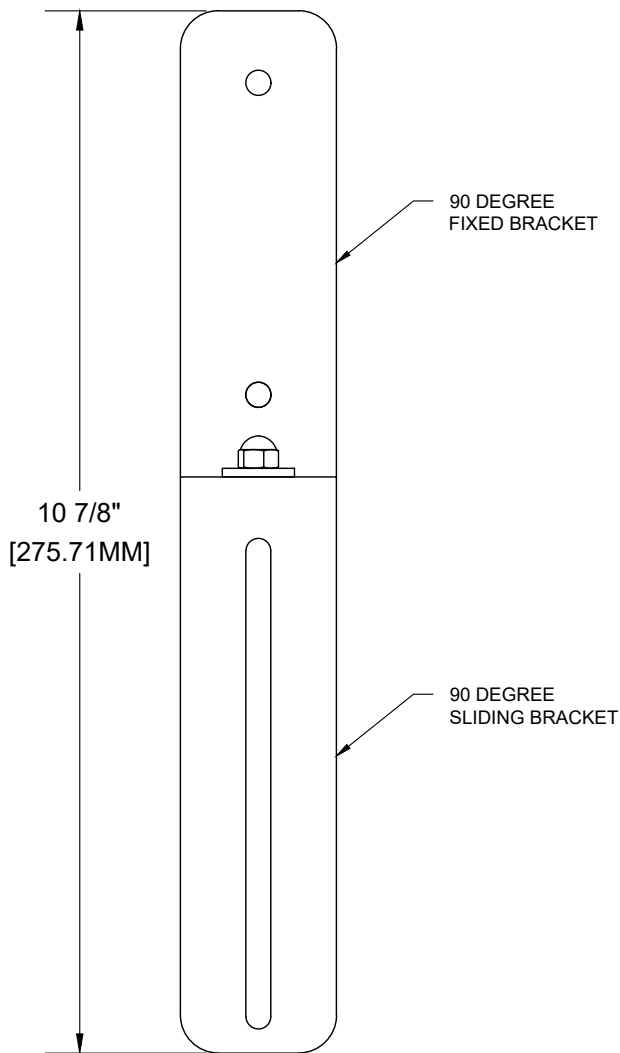
LINK & LOCK™ DUAL BRACKET
 - 45° LEFT FIXED

SCALE: 1:2

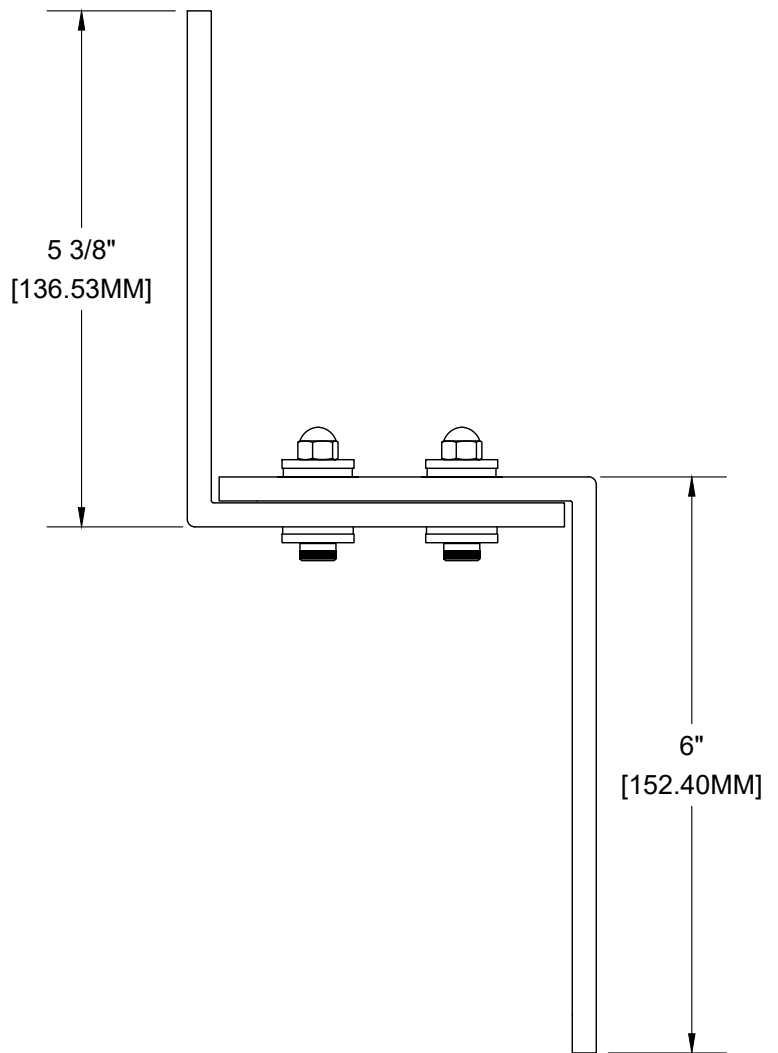




TOP VIEW



FRONT VIEW



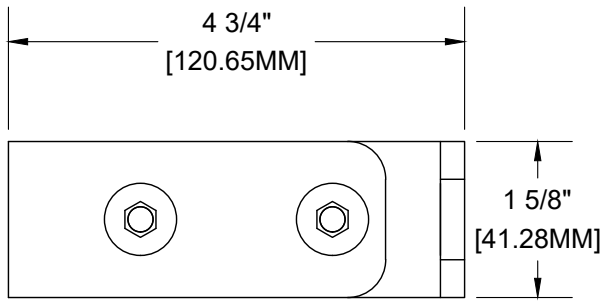
SIDE VIEW

These drawings are published as an information guide only. These CAD drawings are intended as templates to assist the designer, they do not contain the full detail required for construction and must be read in conjunction with the installation instructions on www.longboardproducts.com. You should obtain architectural, engineering or other technical advice to assess the suitability of these drawings to the requirements of your particular project. Longboard Architectural products accepts no liability in respect to the use of these drawings. For complete installation instructions refer to the appropriate documentation here www.longboardproducts.com/resources/technical-documentation/installation-guides

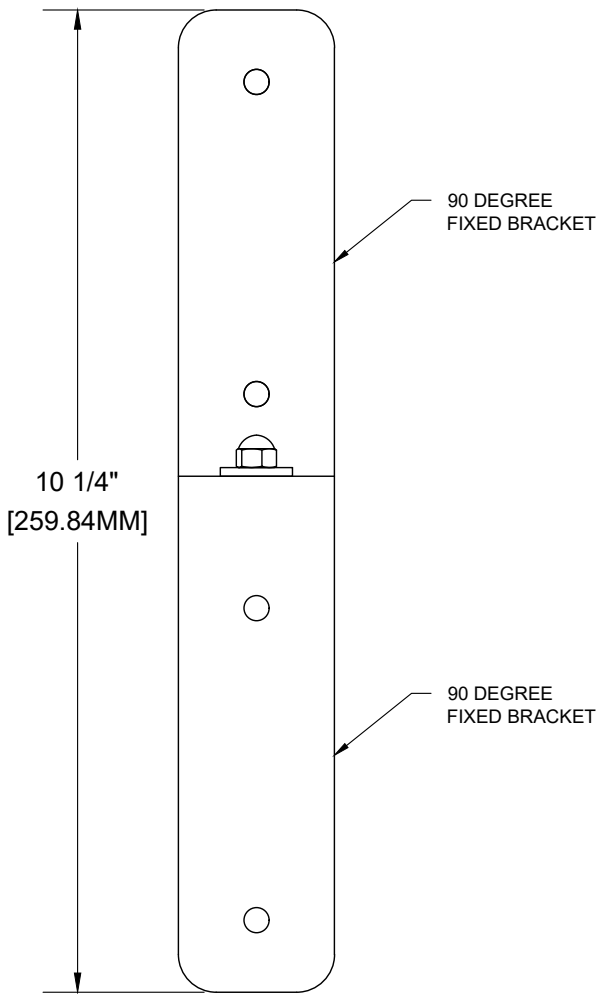
LINK & LOCK™ DUAL BRACKET
- 90° CENTER SLIDING

SCALE: 1:2

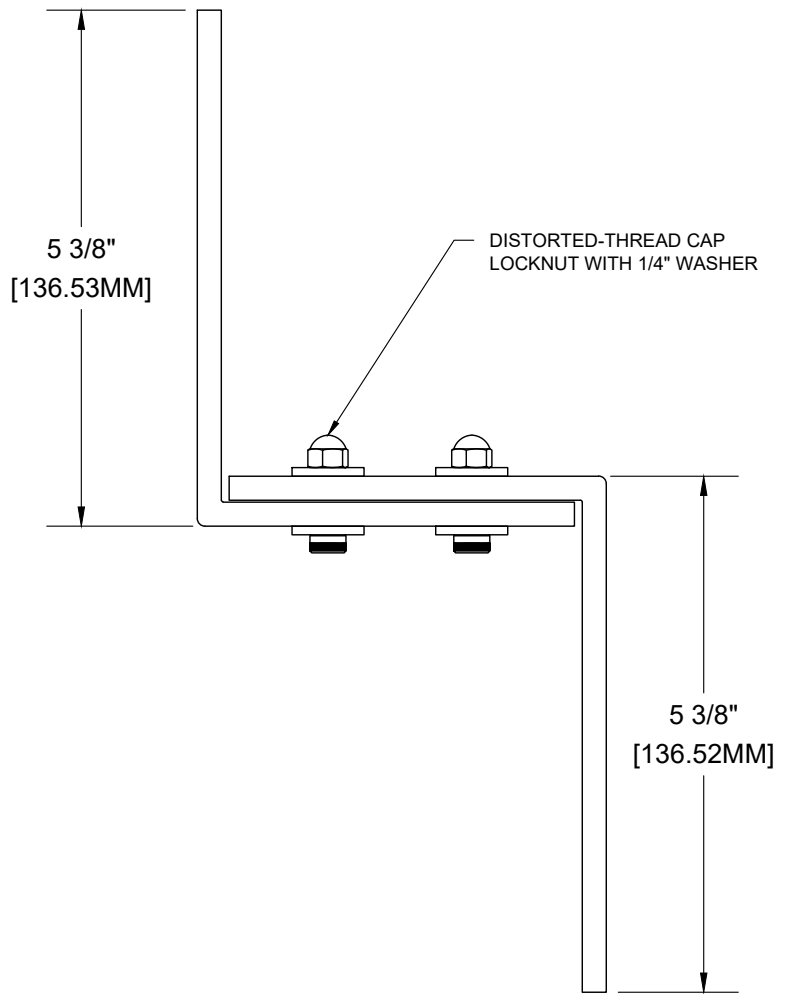




TOP VIEW



FRONT VIEW



SIDE VIEW

These drawings are published as an information guide only. These CAD drawings are intended as templates to assist the designer, they do not contain the full detail required for construction and must be read in conjunction with the installation instructions on www.longboardproducts.com. You should obtain architectural, engineering or other technical advice to assess the suitability of these drawings to the requirements of your particular project. Longboard Architectural products accepts no liability in respect to the use of these drawings. For complete installation instructions refer to the appropriate documentation here www.longboardproducts.com/resources/technical-documentation/installation-guides

LINK & LOCK™ DUAL BRACKET
- 90° CENTER FIXED

SCALE: 1:2

