

LINK & LOCK™ TYPICAL DETAILS

TABLE OF CONTENTS

(Click on the drawing name below to be directed to the right section.)

[END MOUNT DETAIL - 2" LINK & LOCK](#)

[END MOUNT DETAIL - 4" LINK & LOCK](#)

[END MOUNT DETAIL - 6" LINK & LOCK](#)

[END MOUNT DETAIL - 8" LINK & LOCK](#)

[END MOUNT FRONT DETAIL - LINK & LOCK](#)

[END MOUNT DETAIL - 4" LINK & LOCK HD](#)

[END MOUNT DETAIL - 6" LINK & LOCK HD](#)

[END MOUNT DETAIL - 8" LINK & LOCK HD](#)

[END MOUNT FRONT DETAIL - LINK & LOCK HD](#)

[BATTEN APPLICATION - LINK & LOCK](#)

[FIN APPLICATION - LINK & LOCK](#)

[BATTEN APPLICATION WITH STIFFENER - LINK & LOCK](#)

[FIN APPLICATION WITH STIFFENER - LINK & LOCK](#)

[BATTEN APPLICATION - LINK & LOCK HD](#)

[FIN APPLICATION - LINK & LOCK HD](#)

[4" X 4" LINK & LOCK ATTACHMENT DETAIL](#)

[4" X 6" LINK & LOCK ATTACHMENT DETAIL](#)

[CORNER DETAIL - BATTEN APPLICATION - LINK & LOCK](#)

[CORNER DETAIL - FIN APPLICATION - LINK & LOCK](#)

[BUTT-JOINT DETAIL - LINK & LOCK](#)

[LAP-JOINT DETAIL - LINK & LOCK](#)

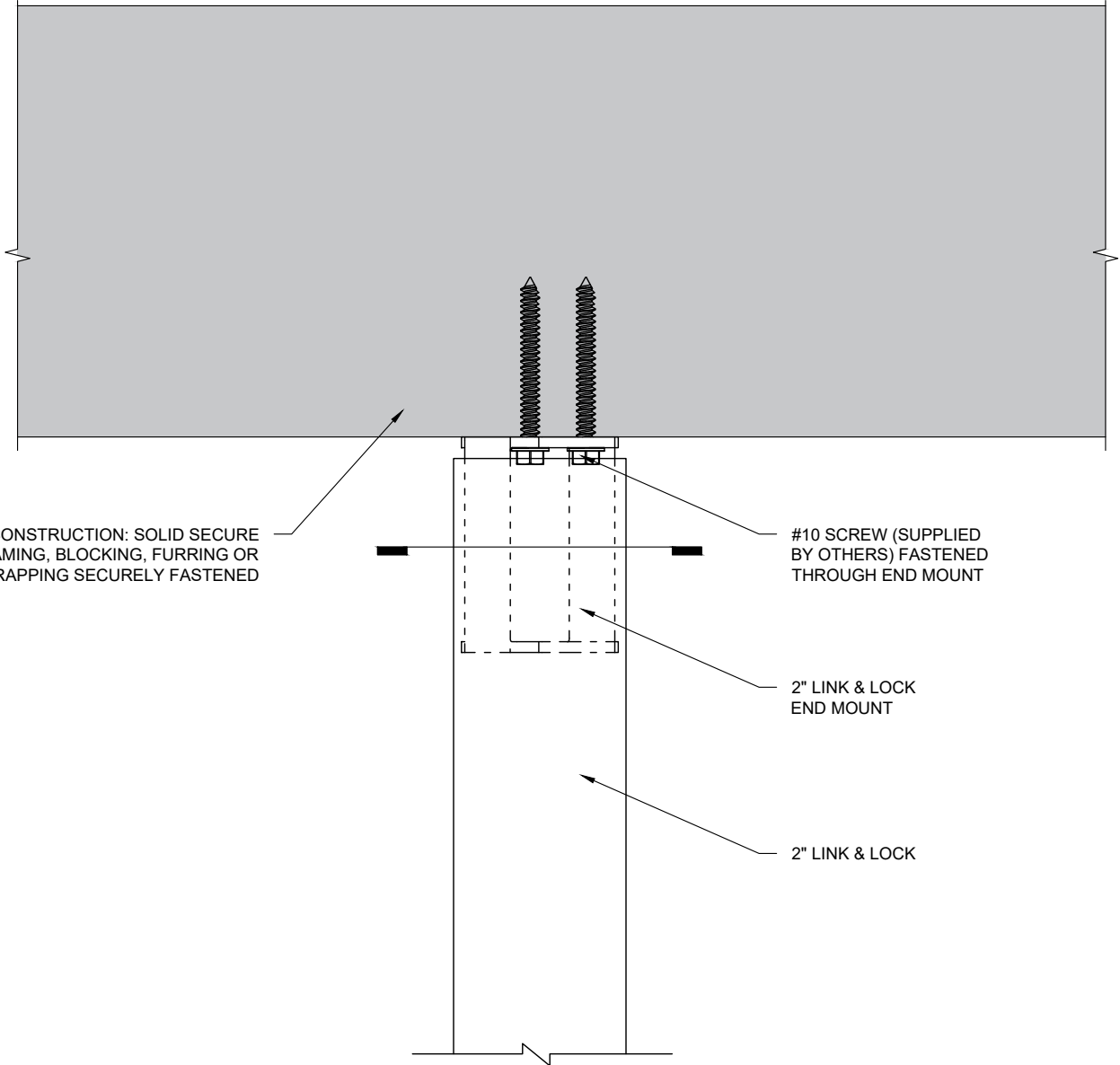
[LINK & LOCK SINGLE SLIDING BRACKET ATTACHMENT](#)

[LINK & LOCK SINGLE FIXED BRACKET ATTACHMENT](#)

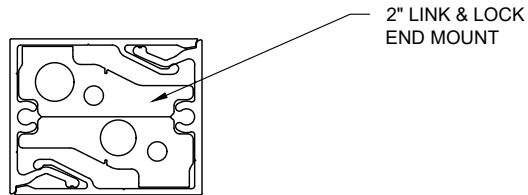
[LINK & LOCK DUAL SLIDING BRACKET ATTACHMENT](#)

[LINK & LOCK DUAL FIXED BRACKET ATTACHMENT](#)

[CLADDING TO SOFFIT TRANSITION - LINK & LOCK](#)



ELEVATION



PLAN

These drawings are published as an information guide only. These CAD drawings are intended as templates to assist the designer, they do not contain the full detail required for construction and must be read in conjunction with the installation instructions on www.longboardproducts.com. You should obtain architectural, engineering or other technical advice to assess the suitability of these drawings to the requirements of your particular project. Longboard Architectural Products accepts no liability in respect to the use of these drawings. For complete installation instructions refer to the appropriate documentation here www.longboardproducts.com/resources/technical-documentation/installation-guides

END MOUNT DETAIL
 2" LINK & LOCK™
 SCALE: 1:2



WALL CONSTRUCTION: SOLID SECURE FRAMING, BLOCKING, FURRING OR STRAPPING SECURELY FASTENED

#12 SCREW (SUPPLIED BY OTHERS) FASTENED THROUGH END MOUNT

4" LINK & LOCK END MOUNT

4" LINK & LOCK

ELEVATION

4" LINK & LOCK END MOUNT

PLAN

END MOUNT DETAIL
4" LINK & LOCK™
SCALE: 1:2



These drawings are published as an information guide only. These CAD drawings are intended as templates to assist the designer, they do not contain the full detail required for construction and must be read in conjunction with the installation instructions on www.longboardproducts.com. You should obtain architectural, engineering or other technical advice to assess the suitability of these drawings to the requirements of your particular project. Longboard Architectural Products accepts no liability in respect to the use of these drawings. For complete installation instructions refer to the appropriate documentation here www.longboardproducts.com/resources/technical-documentation/installation-guides

WALL CONSTRUCTION: SOLID
SECURE FRAMING, BLOCKING,
FURRING OR STRAPPING
SECURELY FASTENED

#12 SCREW (SUPPLIED
BY OTHERS) FASTENED
THROUGH END MOUNT

6" LINK & LOCK
END MOUNT

6" LINK & LOCK

ELEVATION

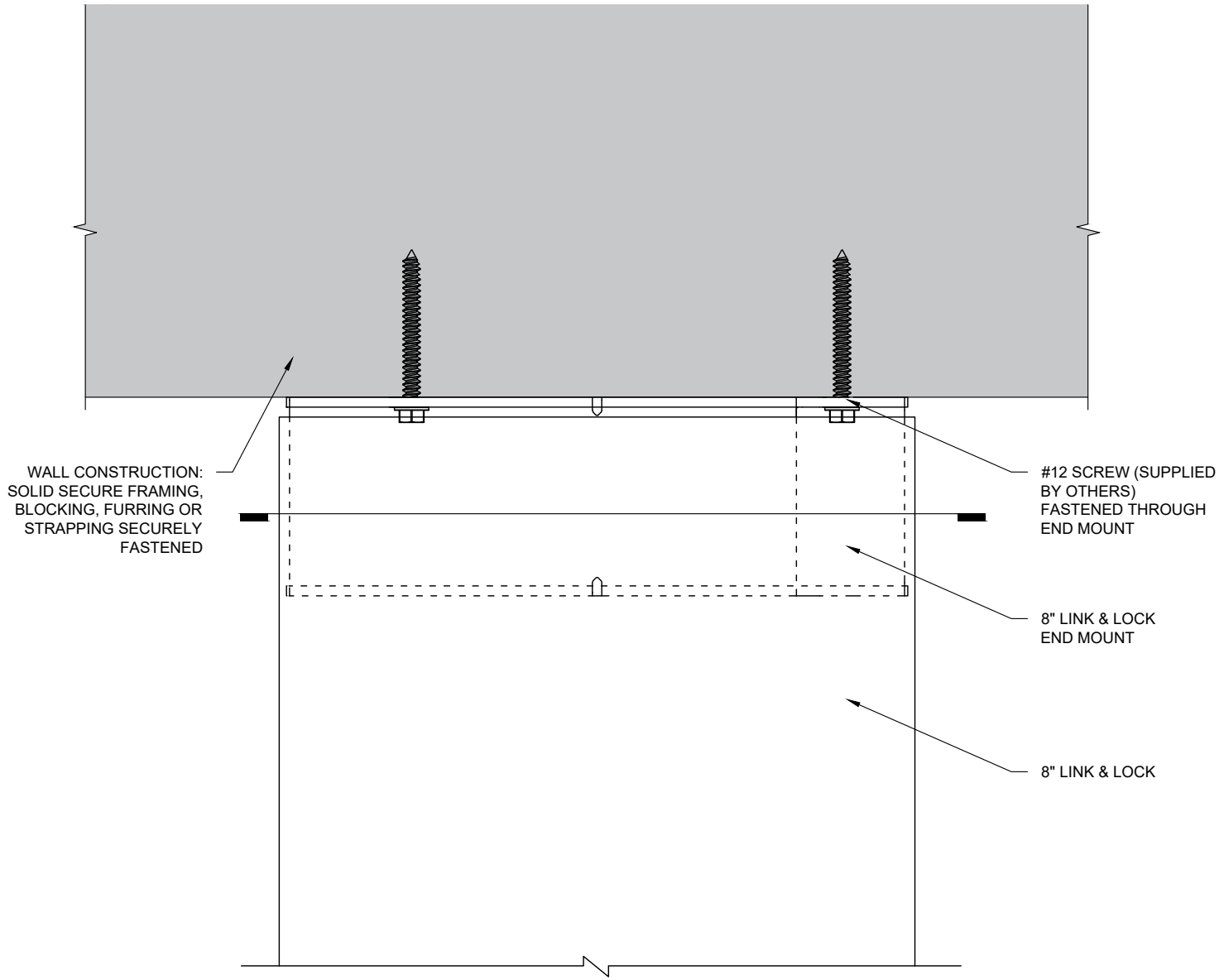
6" LINK & LOCK
END MOUNT

PLAN

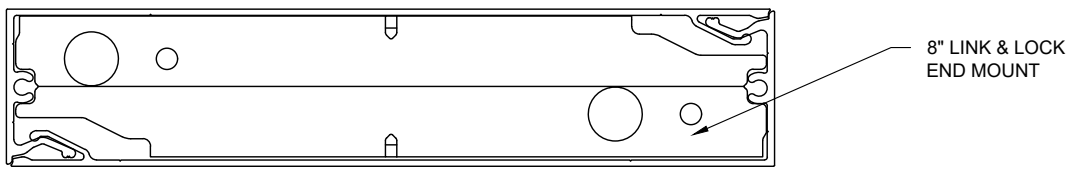
END MOUNT DETAIL
6" LINK & LOCK™
SCALE: 1:2



These drawings are published as an information guide only. These CAD drawings are intended as templates to assist the designer, they do not contain the full detail required for construction and must be read in conjunction with the installation instructions on www.longboardproducts.com. You should obtain architectural, engineering or other technical advice to assess the suitability of these drawings to the requirements of your particular project. Longboard Architectural Products accepts no liability in respect to the use of these drawings. For complete installation instructions refer to the appropriate documentation here www.longboardproducts.com/resources/technical-documentation/installation-guides



ELEVATION



PLAN

END MOUNT DETAIL
 8" LINK & LOCK™
 SCALE: 1:2



These drawings are published as an information guide only. These CAD drawings are intended as templates to assist the designer, they do not contain the full detail required for construction and must be read in conjunction with the installation instructions on www.longboardproducts.com. You should obtain architectural, engineering or other technical advice to assess the suitability of these drawings to the requirements of your particular project. Longboard Architectural Products accepts no liability in respect to the use of these drawings. For complete installation instructions refer to the appropriate documentation here www.longboardproducts.com/resources/technical-documentation/installation-guides

WALL CONSTRUCTION: SOLID SECURE FRAMING, BLOCKING, FURRING OR STRAPPING SECURELY FASTENED

#12 SCREW (SUPPLIED BY OTHERS) FASTENED THROUGH END MOUNT

LINK & LOCK END MOUNT *

LINK & LOCK *

ELEVATION - A

LINK & LOCK *

LINK & LOCK END MOUNT *



PLAN

* THIS APPLICATION COULD BE TYPICAL FOR ALL LINK & LOCK END MOUNTS.

These drawings are published as an information guide only. These CAD drawings are intended as templates to assist the designer, they do not contain the full detail required for construction and must be read in conjunction with the installation instructions on www.longboardproducts.com. You should obtain architectural, engineering or other technical advice to assess the suitability of these drawings to the requirements of your particular project. Longboard Architectural Products accepts no liability in respect to the use of these drawings. For complete installation instructions refer to the appropriate documentation here www.longboardproducts.com/resources/technical-documentation/installation-guides

END MOUNT FRONT DETAIL LINK & LOCK™

SCALE: 1:2



WALL CONSTRUCTION: SOLID SECURE FRAMING, BLOCKING, FURRING OR STRAPPING SECURELY FASTENED

#14 SCREW (SUPPLIED BY OTHERS) FASTENED THROUGH END MOUNT

4" LINK & LOCK HD END MOUNT

4" LINK & LOCK HD

ELEVATION

4" LINK & LOCK HD END MOUNT

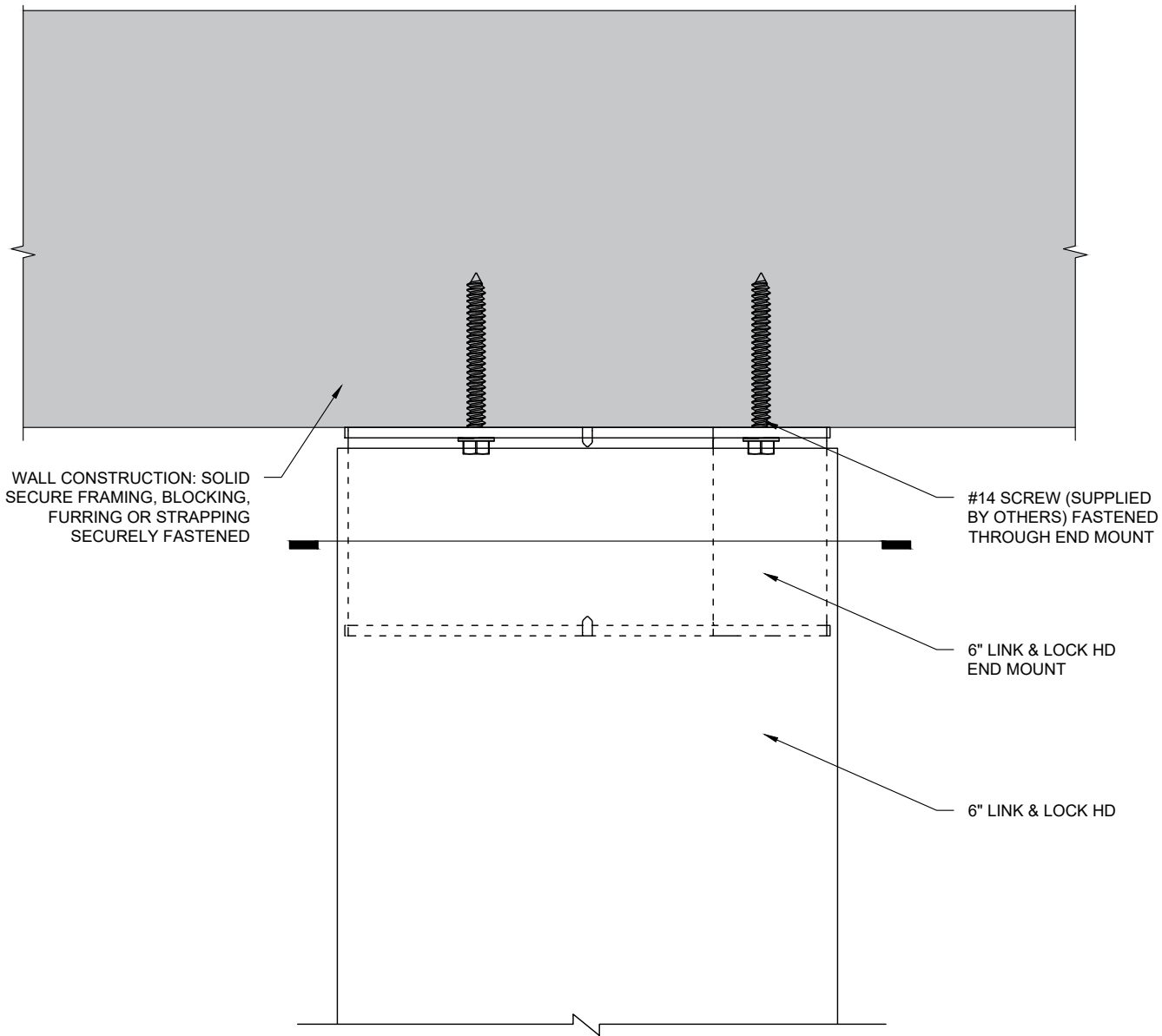
PLAN

END MOUNT DETAIL
4" LINK & LOCK™ HD

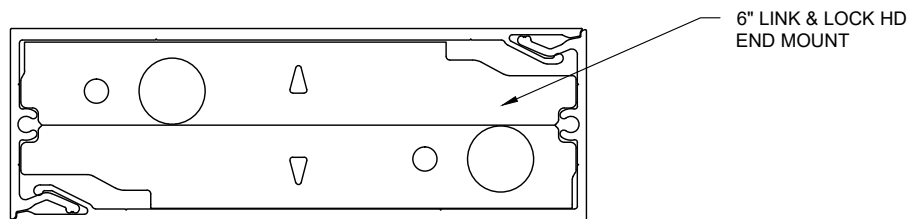
SCALE: 1:2



These drawings are published as an information guide only. These CAD drawings are intended as templates to assist the designer, they do not contain the full detail required for construction and must be read in conjunction with the installation instructions on www.longboardproducts.com. You should obtain architectural, engineering or other technical advice to assess the suitability of these drawings to the requirements of your particular project. Longboard Architectural Products accepts no liability in respect to the use of these drawings. For complete installation instructions refer to the appropriate documentation here www.longboardproducts.com/resources/technical-documentation/installation-guides



ELEVATION



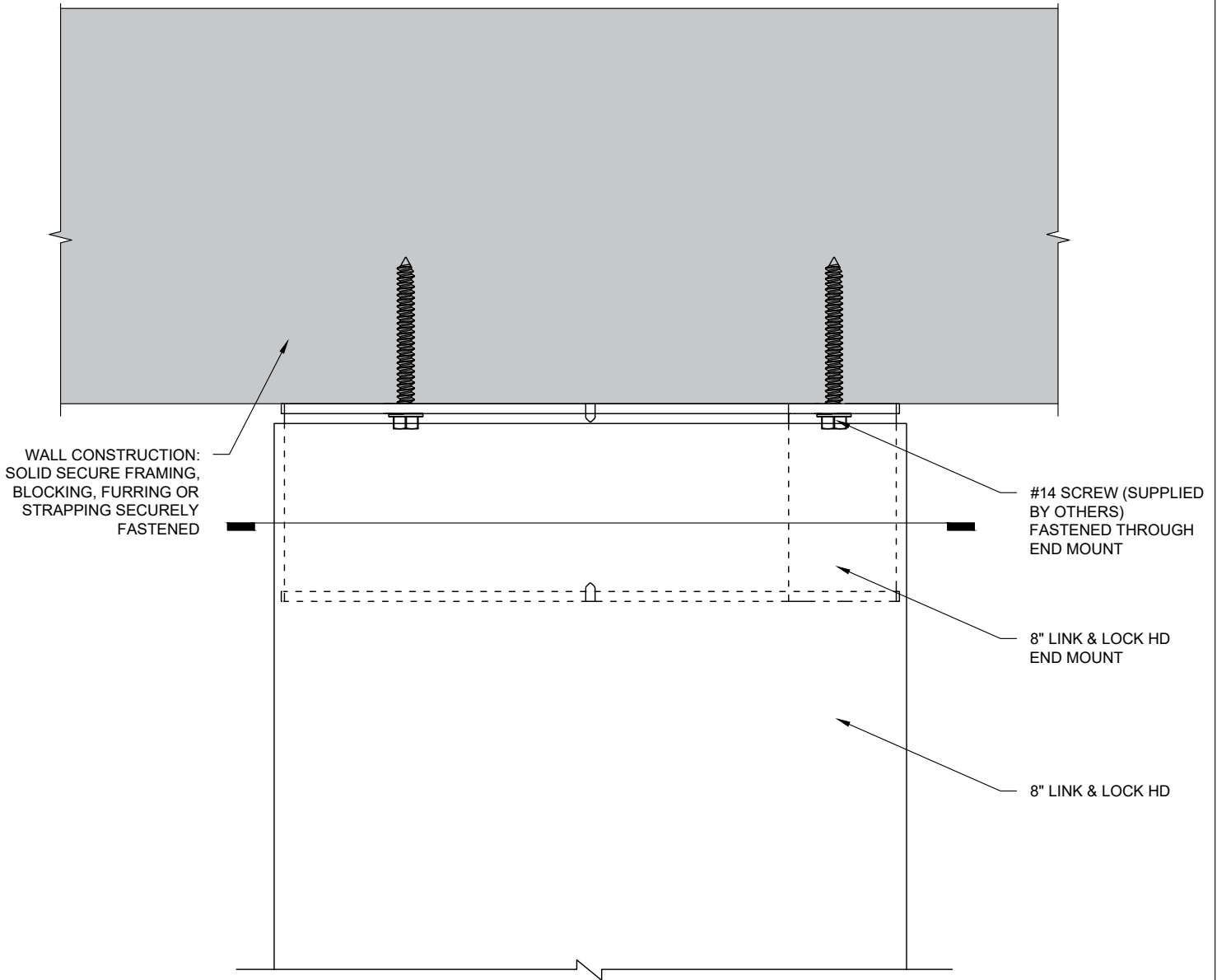
PLAN

These drawings are published as an information guide only. These CAD drawings are intended as templates to assist the designer, they do not contain the full detail required for construction and must be read in conjunction with the installation instructions on www.longboardproducts.com. You should obtain architectural, engineering or other technical advice to assess the suitability of these drawings to the requirements of your particular project. Longboard Architectural Products accepts no liability in respect to the use of these drawings. For complete installation instructions refer to the appropriate documentation here www.longboardproducts.com/resources/technical-documentation/installation-guides

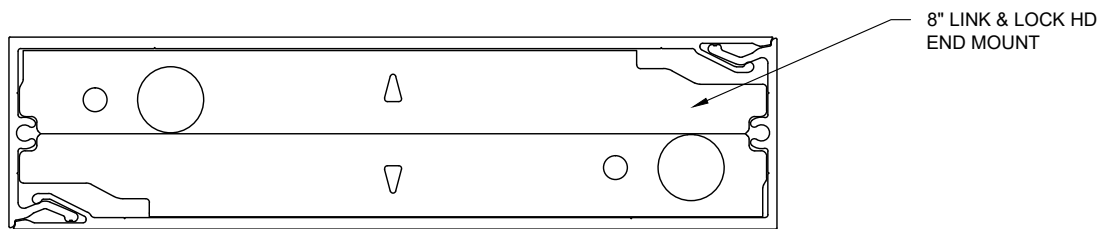
END MOUNT DETAIL
6" LINK & LOCK™ HD

SCALE: 1:2





ELEVATION



PLAN

These drawings are published as an information guide only. These CAD drawings are intended as templates to assist the designer, they do not contain the full detail required for construction and must be read in conjunction with the installation instructions on www.longboardproducts.com. You should obtain architectural, engineering or other technical advice to assess the suitability of these drawings to the requirements of your particular project. Longboard Architectural Products accepts no liability in respect to the use of these drawings. For complete installation instructions refer to the appropriate documentation here www.longboardproducts.com/resources/technical-documentation/installation-guides

END MOUNT DETAIL
8" LINK & LOCK™ HD
SCALE: 1:2



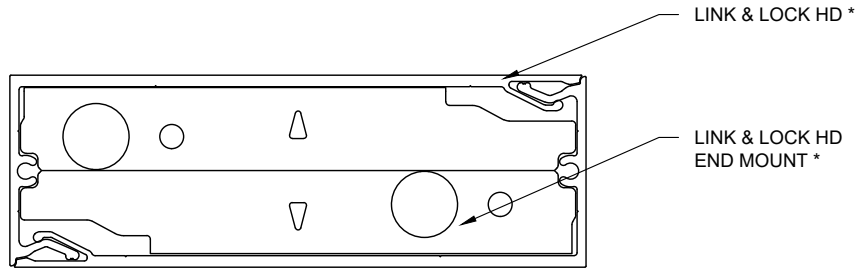
WALL CONSTRUCTION: SOLID SECURE FRAMING, BLOCKING, FURRING OR STRAPPING SECURELY FASTENED

#14 SCREW (SUPPLIED BY OTHERS) FASTENED THROUGH END MOUNT

LINK & LOCK HD END MOUNT *

LINK & LOCK HD *

ELEVATION - A



PLAN

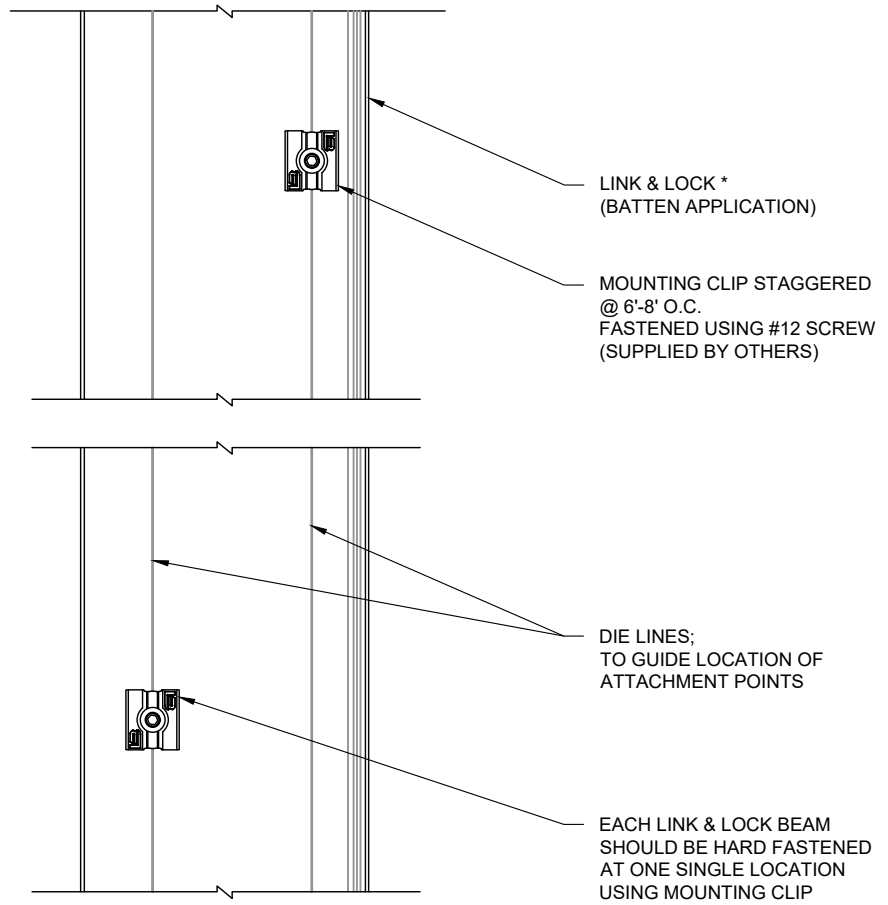
* THIS APPLICATION COULD BE TYPICAL FOR ALL LINK & LOCK HD END MOUNTS.

These drawings are published as an information guide only. These CAD drawings are intended as templates to assist the designer, they do not contain the full detail required for construction and must be read in conjunction with the installation instructions on www.longboardproducts.com. You should obtain architectural, engineering or other technical advice to assess the suitability of these drawings to the requirements of your particular project. Longboard Architectural Products accepts no liability in respect to the use of these drawings. For complete installation instructions refer to the appropriate documentation here www.longboardproducts.com/resources/technical-documentation/installation-guides

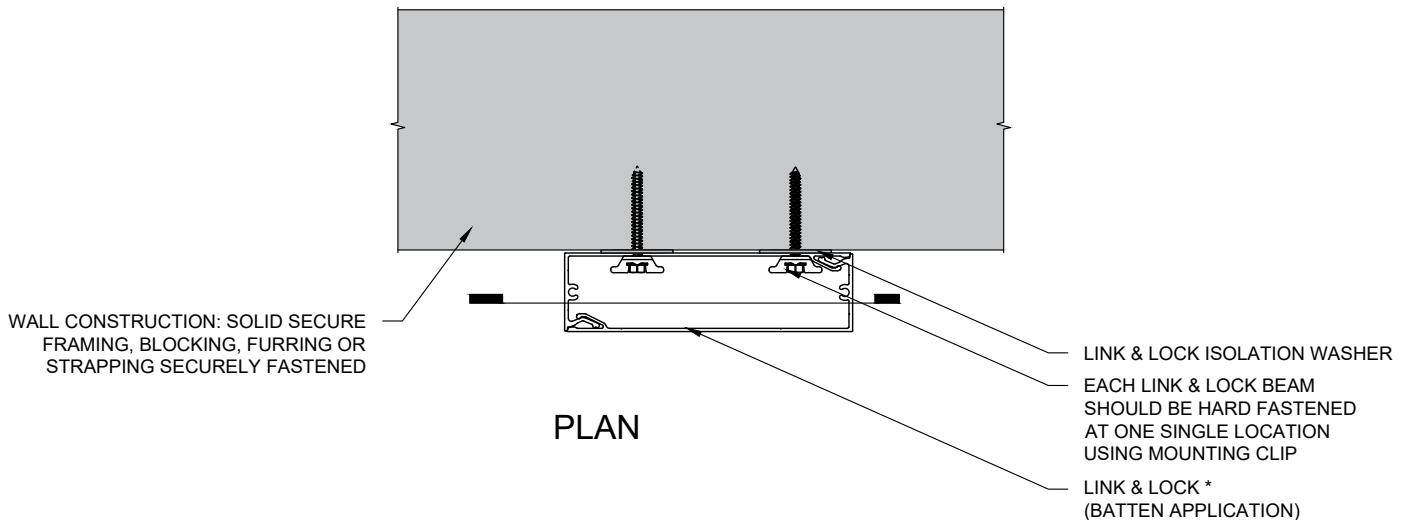
END MOUNT FRONT DETAIL LINK & LOCK™ HD

SCALE: 1:2





SECTION



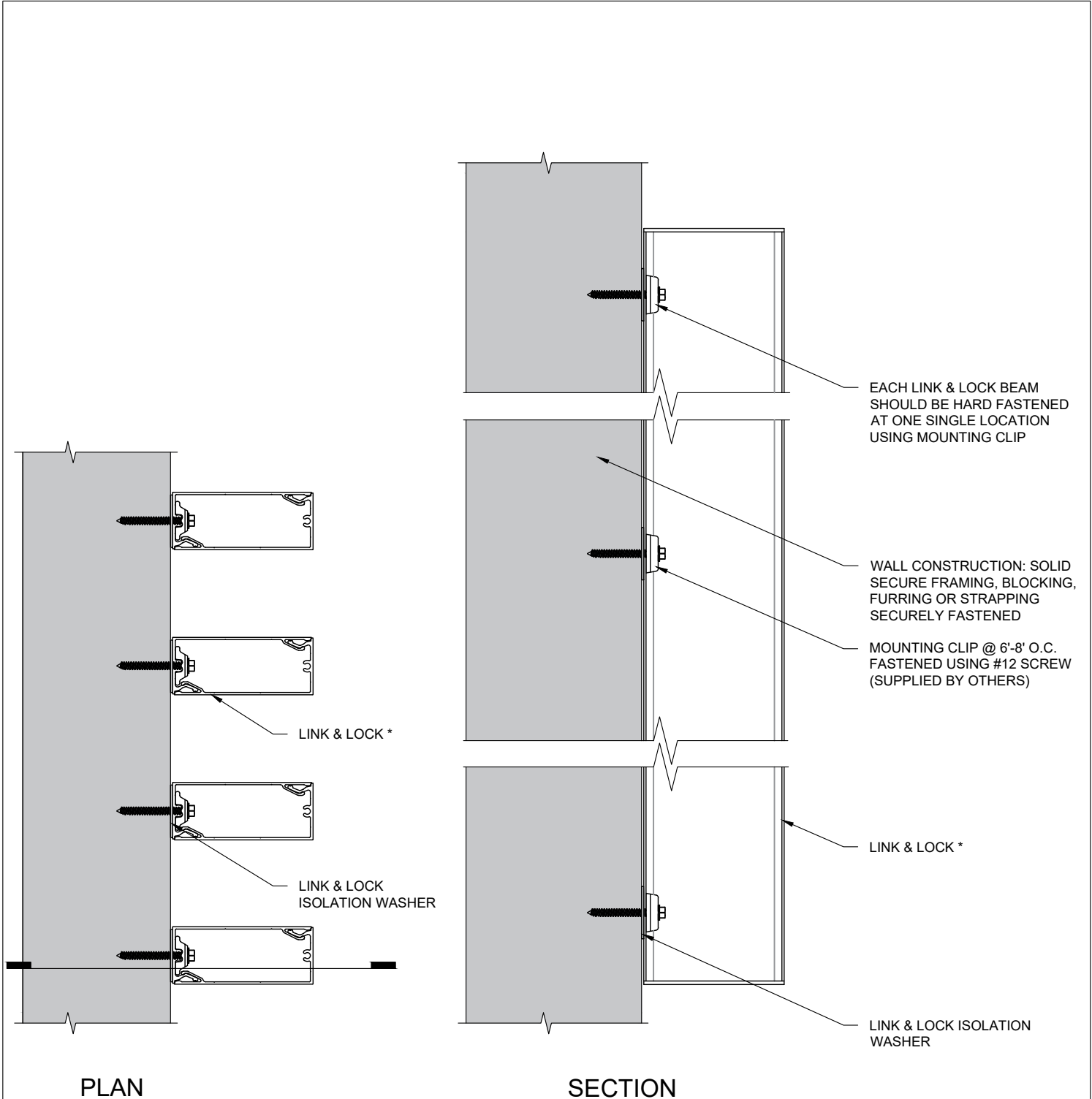
PLAN

* THIS APPLICATION COULD BE TYPICAL FOR ALL LINK & LOCK PROFILES.

These drawings are published as an information guide only. These CAD drawings are intended as templates to assist the designer, they do not contain the full detail required for construction and must be read in conjunction with the installation instructions on www.longboardproducts.com. You should obtain architectural, engineering or other technical advice to assess the suitability of these drawings to the requirements of your particular project. Longboard Architectural Products accepts no liability in respect to the use of these drawings. For complete installation instructions refer to the appropriate documentation here www.longboardproducts.com/resources/technical-documentation/installation-guides

BATTEN APPLICATION
LINK & LOCK™
SCALE: 1:4





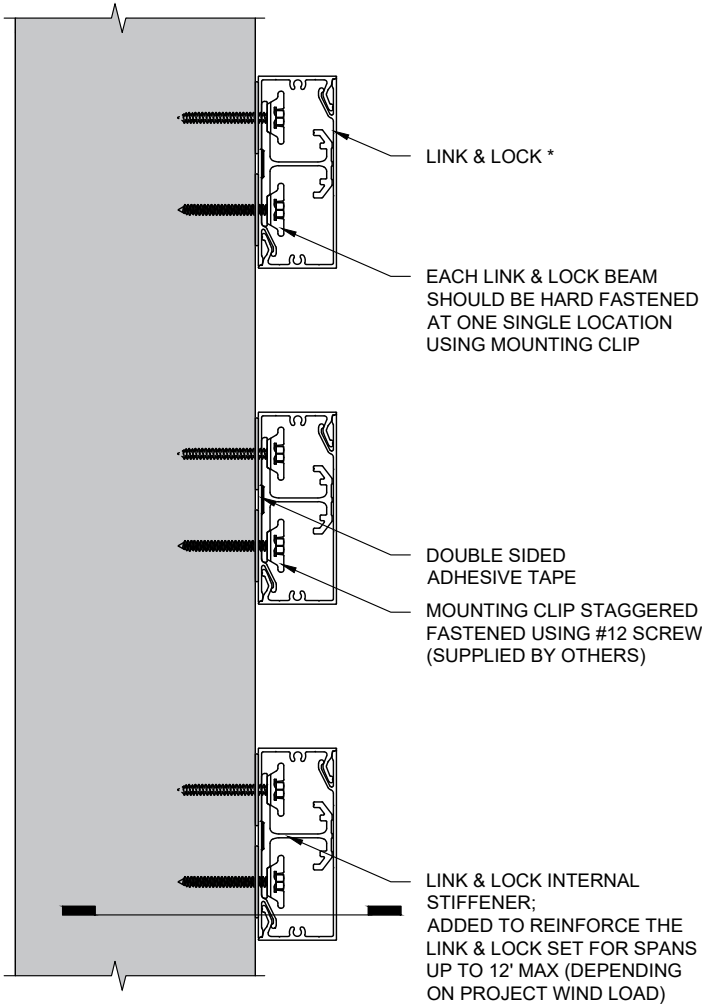
* THIS APPLICATION COULD BE TYPICAL FOR ALL LINK & LOCK PROFILES.

These drawings are published as an information guide only. These CAD drawings are intended as templates to assist the designer, they do not contain the full detail required for construction and must be read in conjunction with the installation instructions on www.longboardproducts.com. You should obtain architectural, engineering or other technical advice to assess the suitability of these drawings to the requirements of your particular project. Longboard Architectural Products accepts no liability in respect to the use of these drawings. For complete installation instructions refer to the appropriate documentation here www.longboardproducts.com/resources/technical-documentation/installation-guides

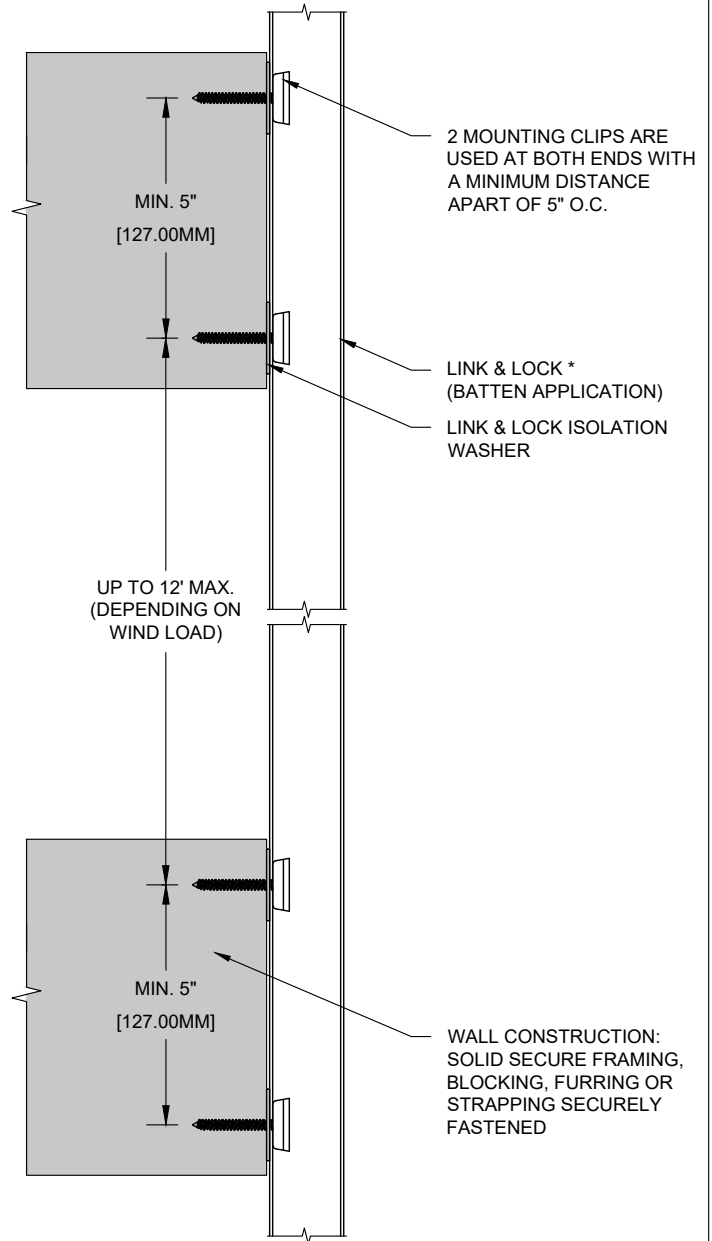
FIN APPLICATION LINK & LOCK™

SCALE: 1:4





PLAN



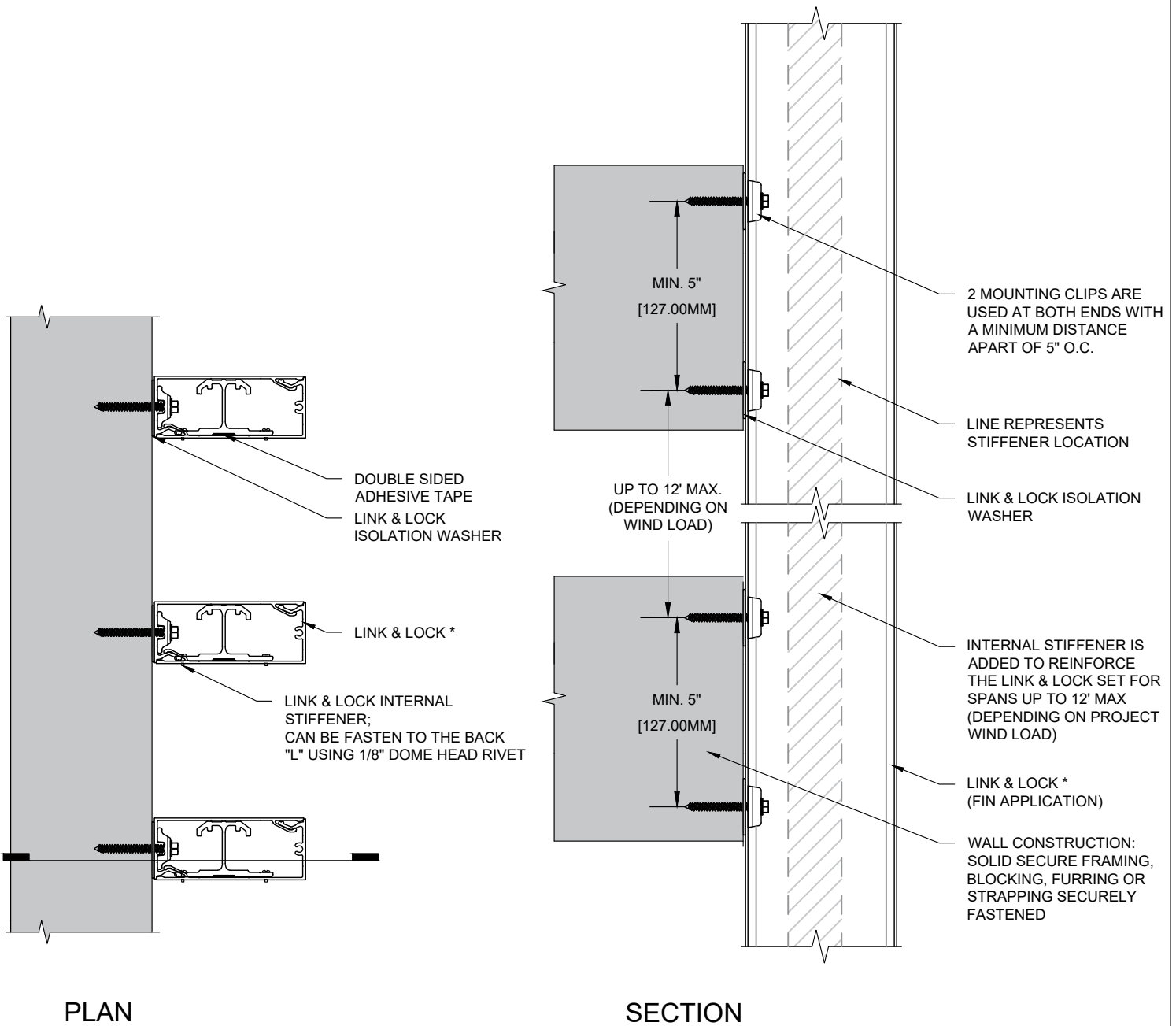
SECTION

* THIS APPLICATION COULD BE TYPICAL FOR ALL LINK & LOCK PROFILES.

These drawings are published as an information guide only. These CAD drawings are intended as templates to assist the designer, they do not contain the full detail required for construction and must be read in conjunction with the installation instructions on www.longboardproducts.com. You should obtain architectural, engineering or other technical advice to assess the suitability of these drawings to the requirements of your particular project. Longboard Architectural Products accepts no liability in respect to the use of these drawings. For complete installation instructions refer to the appropriate documentation here www.longboardproducts.com/resources/technical-documentation/installation-guides

BATTEN APPLICATION WITH STIFFENER
LINK & LOCK™
SCALE: 1:4





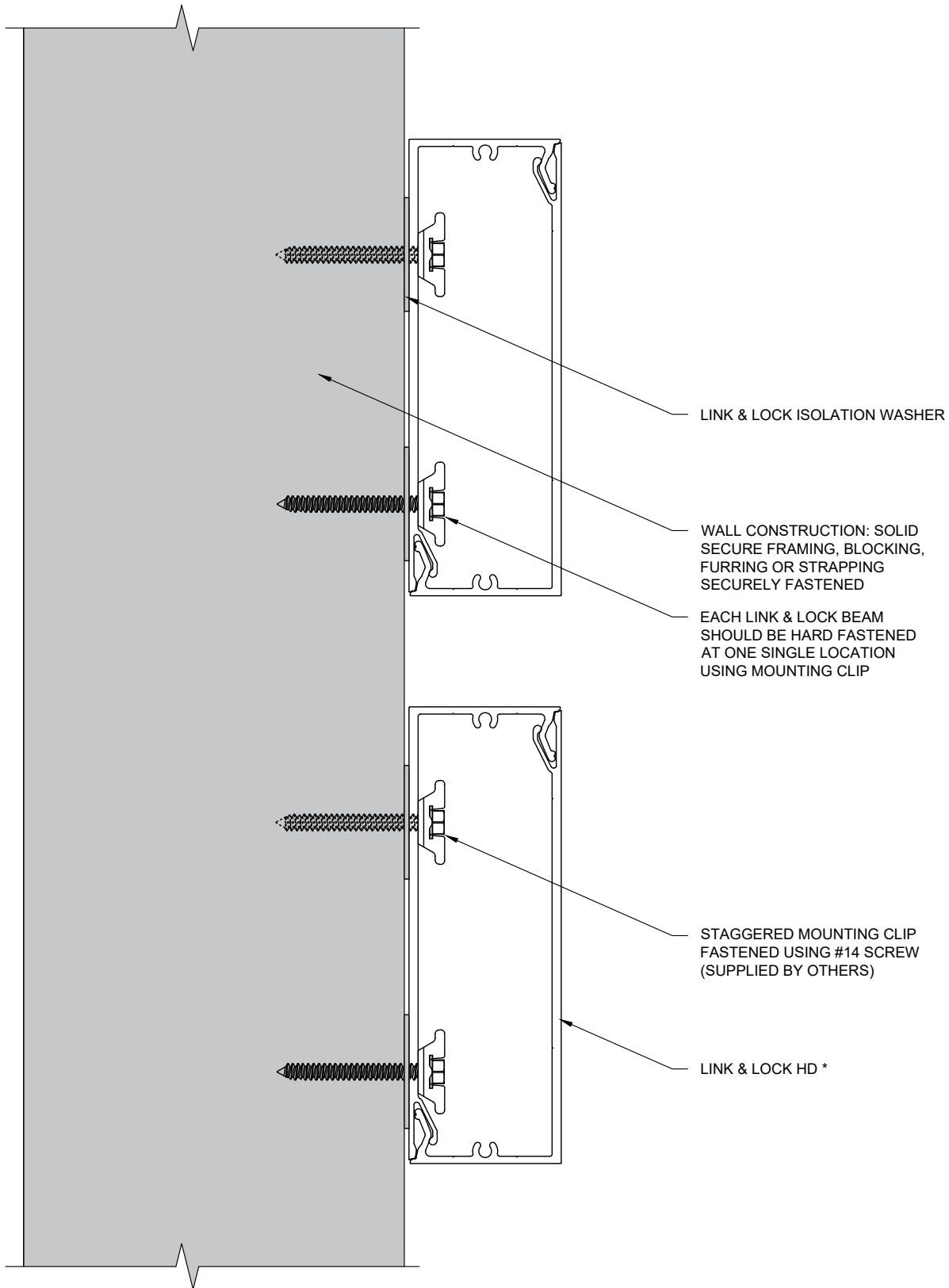
* THIS APPLICATION COULD BE TYPICAL FOR ALL LINK & LOCK PROFILES.

These drawings are published as an information guide only. These CAD drawings are intended as templates to assist the designer, they do not contain the full detail required for construction and must be read in conjunction with the installation instructions on www.longboardproducts.com. You should obtain architectural, engineering or other technical advice to assess the suitability of these drawings to the requirements of your particular project. Longboard Architectural Products accepts no liability in respect to the use of these drawings. For complete installation instructions refer to the appropriate documentation here www.longboardproducts.com/resources/technical-documentation/installation-guides

FIN APPLICATION WITH STIFFENER LINK & LOCK™

SCALE: 1:4





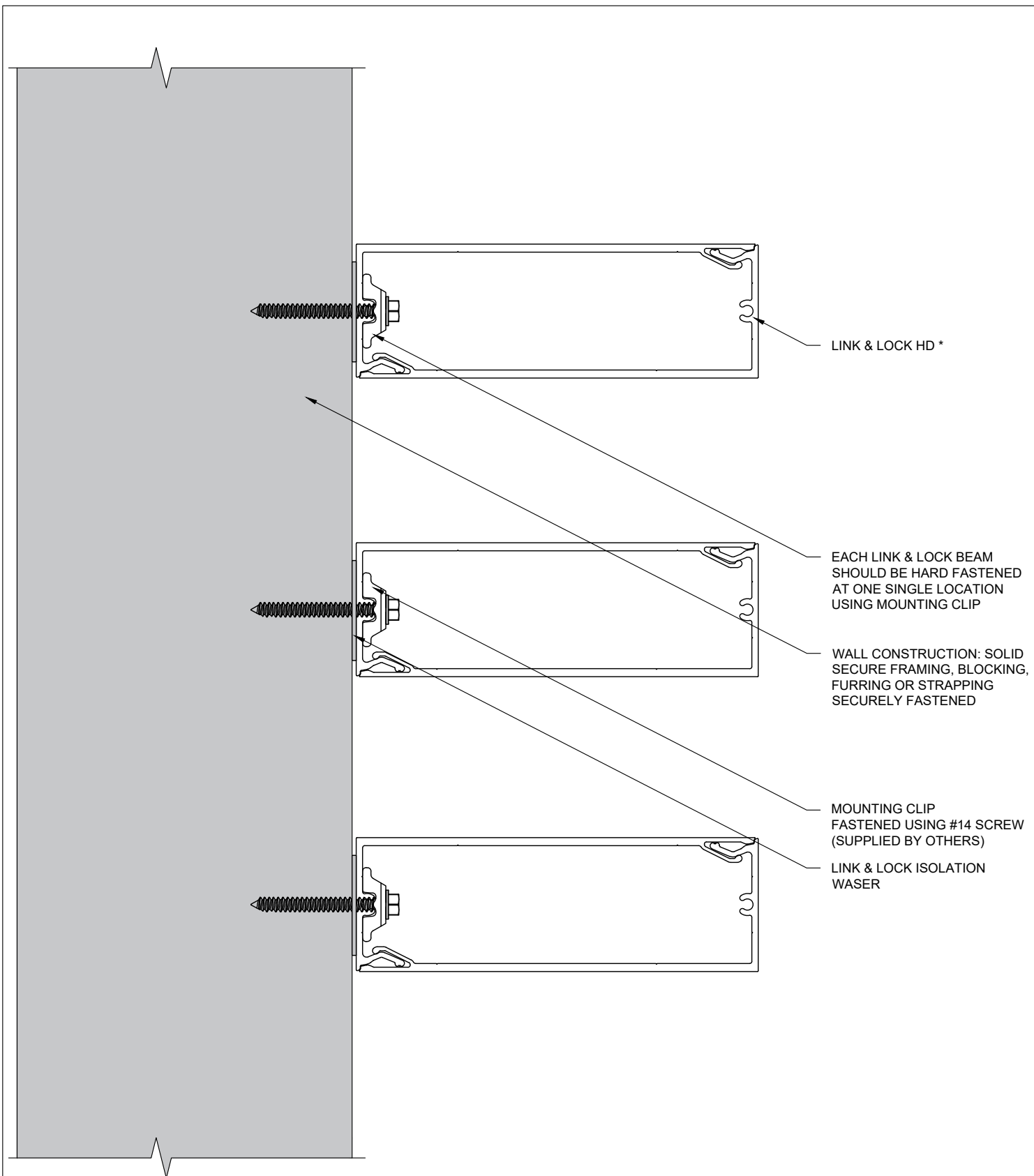
* THIS APPLICATION COULD BE TYPICAL FOR ALL LINK & LOCK HD PROFILES.

These drawings are published as an information guide only. These CAD drawings are intended as templates to assist the designer, they do not contain the full detail required for construction and must be read in conjunction with the installation instructions on www.longboardproducts.com. You should obtain architectural, engineering or other technical advice to assess the suitability of these drawings to the requirements of your particular project. Longboard Architectural Products accepts no liability in respect to the use of these drawings. For complete installation instructions refer to the appropriate documentation here www.longboardproducts.com/resources/technical-documentation/installation-guides

BATTEN APPLICATION LINK & LOCK™ HD

SCALE: 1:2





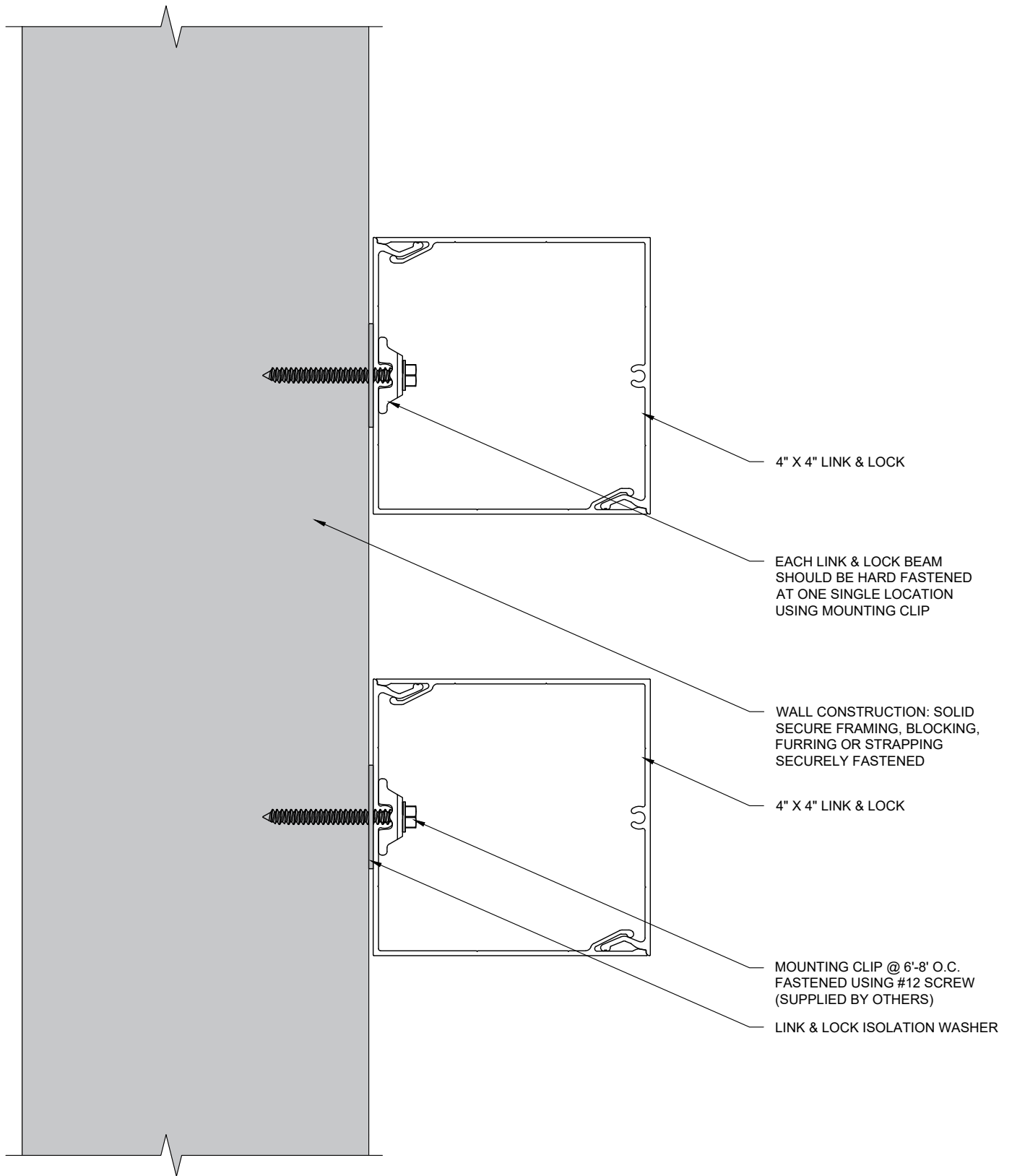
* THIS APPLICATION COULD BE TYPICAL FOR ALL LINK & LOCK HD PROFILES.

These drawings are published as an information guide only. These CAD drawings are intended as templates to assist the designer, they do not contain the full detail required for construction and must be read in conjunction with the installation instructions on www.longboardproducts.com. You should obtain architectural, engineering or other technical advice to assess the suitability of these drawings to the requirements of your particular project. Longboard Architectural Products accepts no liability in respect to the use of these drawings. For complete installation instructions refer to the appropriate documentation here www.longboardproducts.com/resources/technical-documentation/installation-guides

FIN APPLICATION LINK & LOCK™ HD

SCALE: 1:2



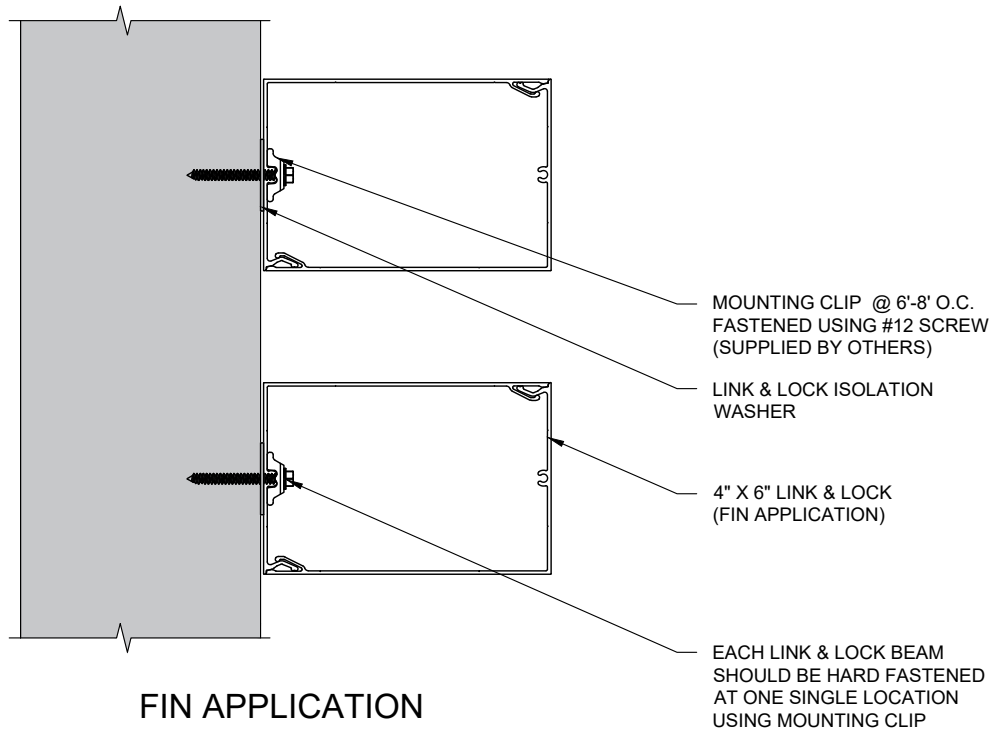


These drawings are published as an information guide only. These CAD drawings are intended as templates to assist the designer, they do not contain the full detail required for construction and must be read in conjunction with the installation instructions on www.longboardproducts.com. You should obtain architectural, engineering or other technical advice to assess the suitability of these drawings to the requirements of your particular project. Longboard Architectural Products accepts no liability in respect to the use of these drawings. For complete installation instructions refer to the appropriate documentation here www.longboardproducts.com/resources/technical-documentation/installation-guides

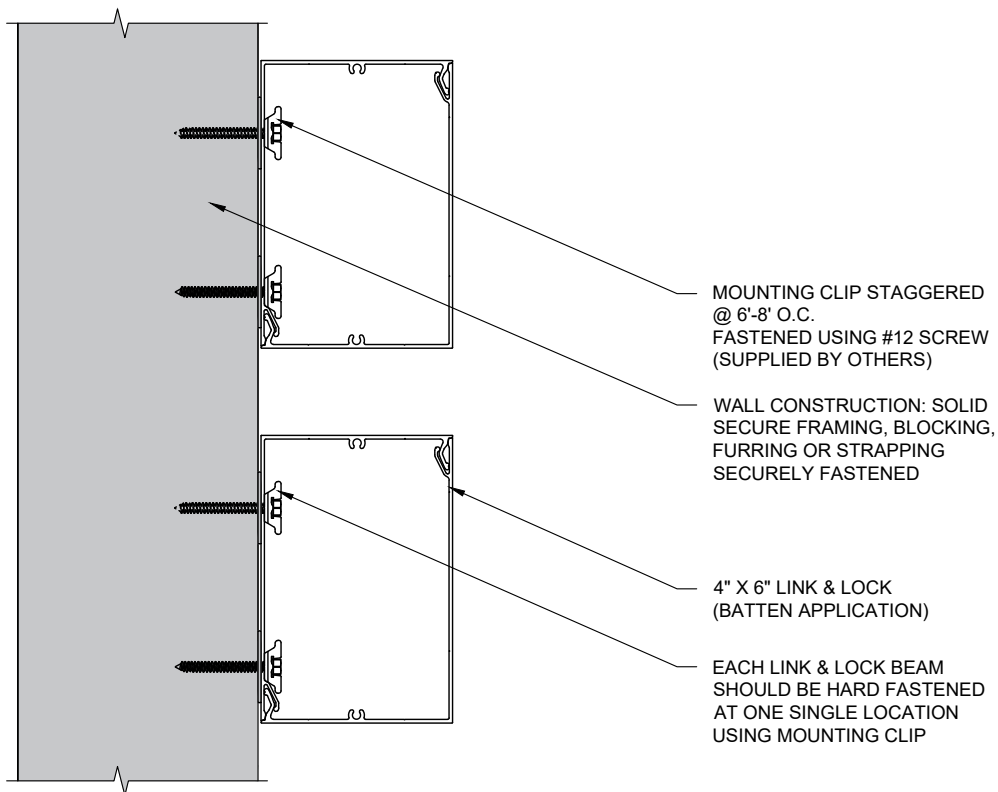
4" X 4" LINK & LOCK™ ATTACHMENT DETAIL

SCALE: 1:2





FIN APPLICATION



BATTEN APPLICATION

These drawings are published as an information guide only. These CAD drawings are intended as templates to assist the designer, they do not contain the full detail required for construction and must be read in conjunction with the installation instructions on www.longboardproducts.com. You should obtain architectural, engineering or other technical advice to assess the suitability of these drawings to the requirements of your particular project. Longboard Architectural Products accepts no liability in respect to the use of these drawings. For complete installation instructions refer to the appropriate documentation here www.longboardproducts.com/resources/technical-documentation/installation-guides

4" X 6" LINK & LOCK™ ATTACHMENT DETAIL

SCALE: 1:4



WALL CONSTRUCTION: SOLID
SECURE FRAMING, BLOCKING,
FURRING OR STRAPPING
SECURELY FASTENED

LINK & LOCK ISOLATION
WASHER

LINK & LOCK END CAP
SPACE BETWEEN LINK & LOCK
TO ALLOW FOR EXPANSION &
CONTRACTION

LINK & LOCK *
(BATTEN APPLICATION)

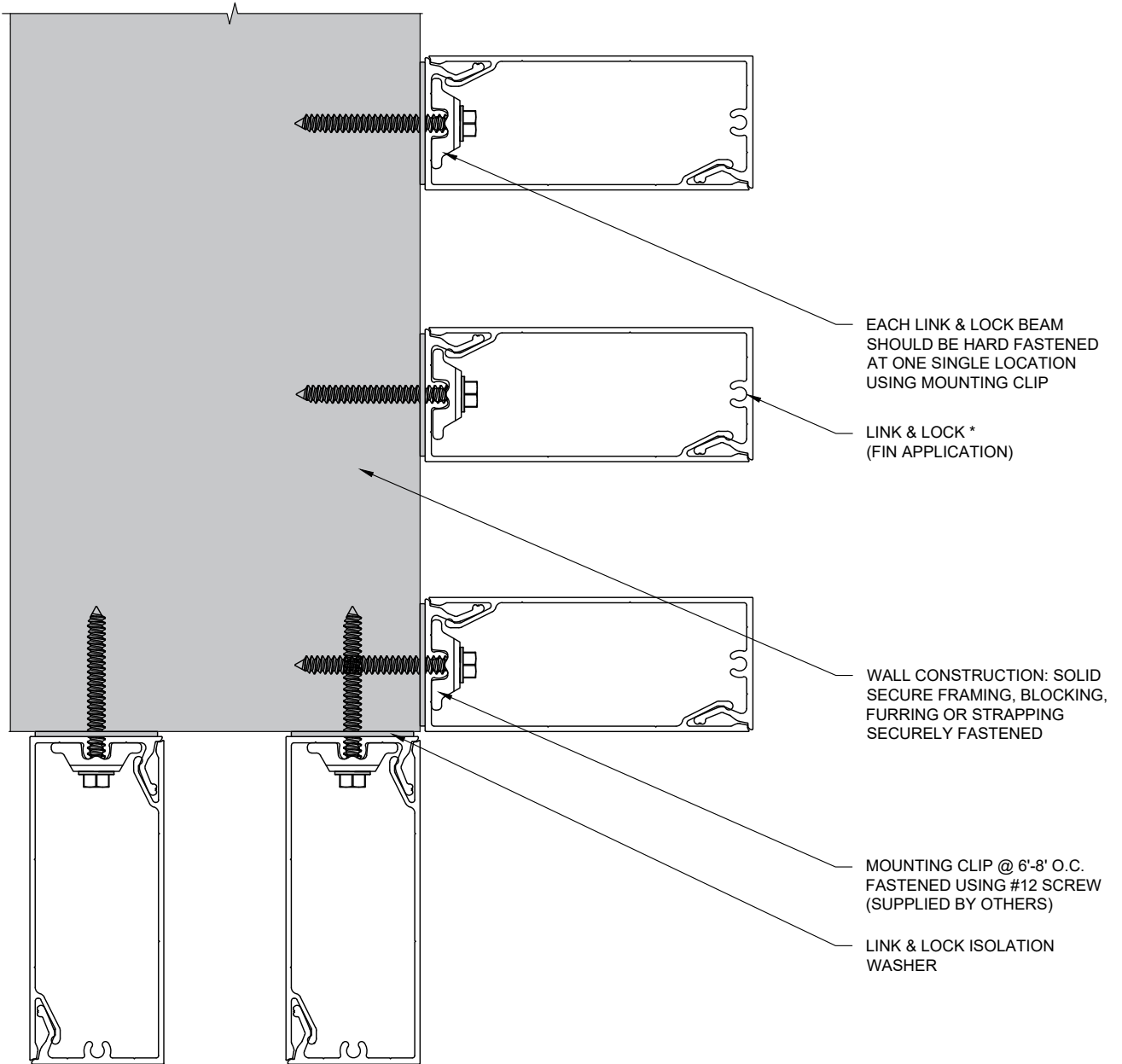
* THIS APPLICATION COULD BE TYPICAL FOR ALL LINK & LOCK PROFILES.

These drawings are published as an information guide only. These CAD drawings are intended as templates to assist the designer, they do not contain the full detail required for construction and must be read in conjunction with the installation instructions on www.longboardproducts.com. You should obtain architectural, engineering or other technical advice to assess the suitability of these drawings to the requirements of your particular project. Longboard Architectural Products accepts no liability in respect to the use of these drawings. For complete installation instructions refer to the appropriate documentation here www.longboardproducts.com/resources/technical-documentation/installation-guides

CORNER DETAIL - BATTEN APPLICATION LINK & LOCK™

SCALE: 1:1





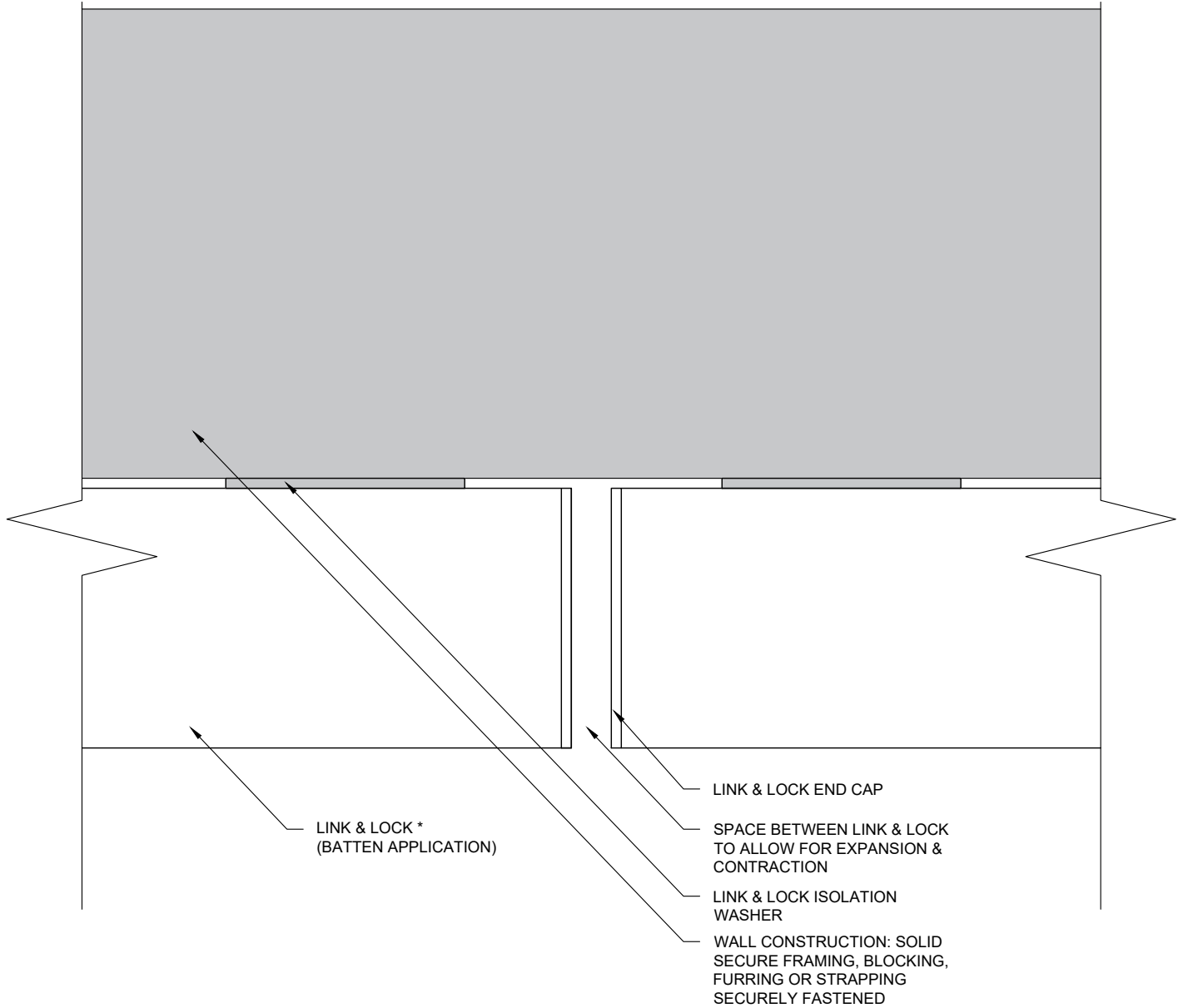
* THIS APPLICATION COULD BE TYPICAL FOR ALL LINK & LOCK PROFILES.

These drawings are published as an information guide only. These CAD drawings are intended as templates to assist the designer, they do not contain the full detail required for construction and must be read in conjunction with the installation instructions on www.longboardproducts.com. You should obtain architectural, engineering or other technical advice to assess the suitability of these drawings to the requirements of your particular project. Longboard Architectural Products accepts no liability in respect to the use of these drawings. For complete installation instructions refer to the appropriate documentation here www.longboardproducts.com/resources/technical-documentation/installation-guides

CORNER DETAIL - FIN APPLICATION LINK & LOCK™

SCALE: 1:2





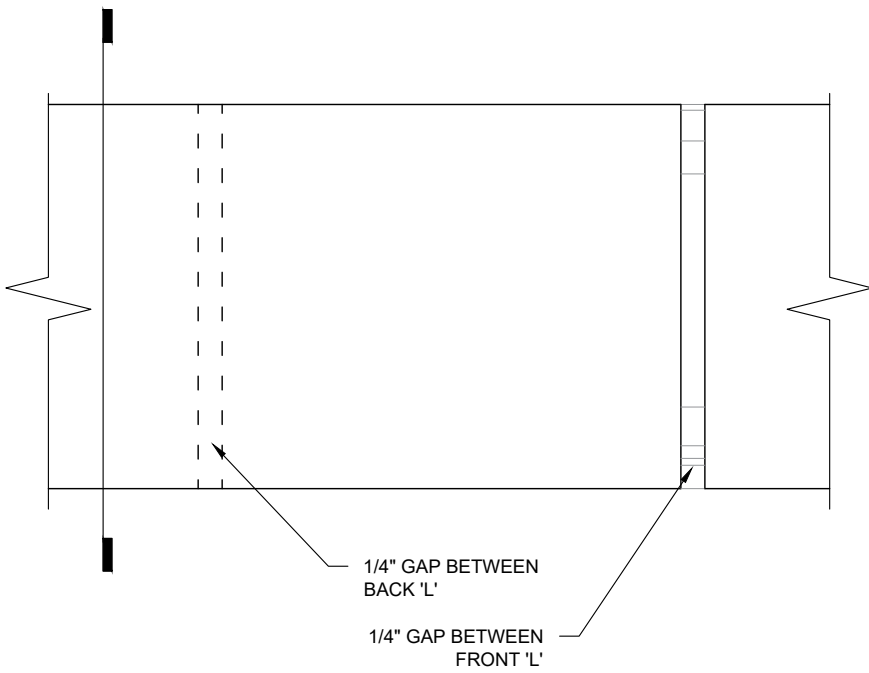
* THIS APPLICATION COULD BE TYPICAL FOR ALL LINK & LOCK PROFILES.

These drawings are published as an information guide only. These CAD drawings are intended as templates to assist the designer, they do not contain the full detail required for construction and must be read in conjunction with the installation instructions on www.longboardproducts.com. You should obtain architectural, engineering or other technical advice to assess the suitability of these drawings to the requirements of your particular project. Longboard Architectural Products accepts no liability in respect to the use of these drawings. For complete installation instructions refer to the appropriate documentation here www.longboardproducts.com/resources/technical-documentation/installation-guides

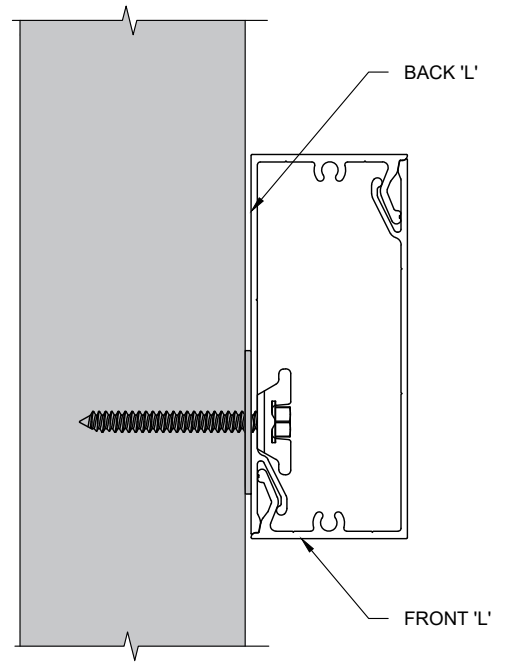
BUTT-JOINT DETAIL LINK & LOCK™

SCALE: 1:1

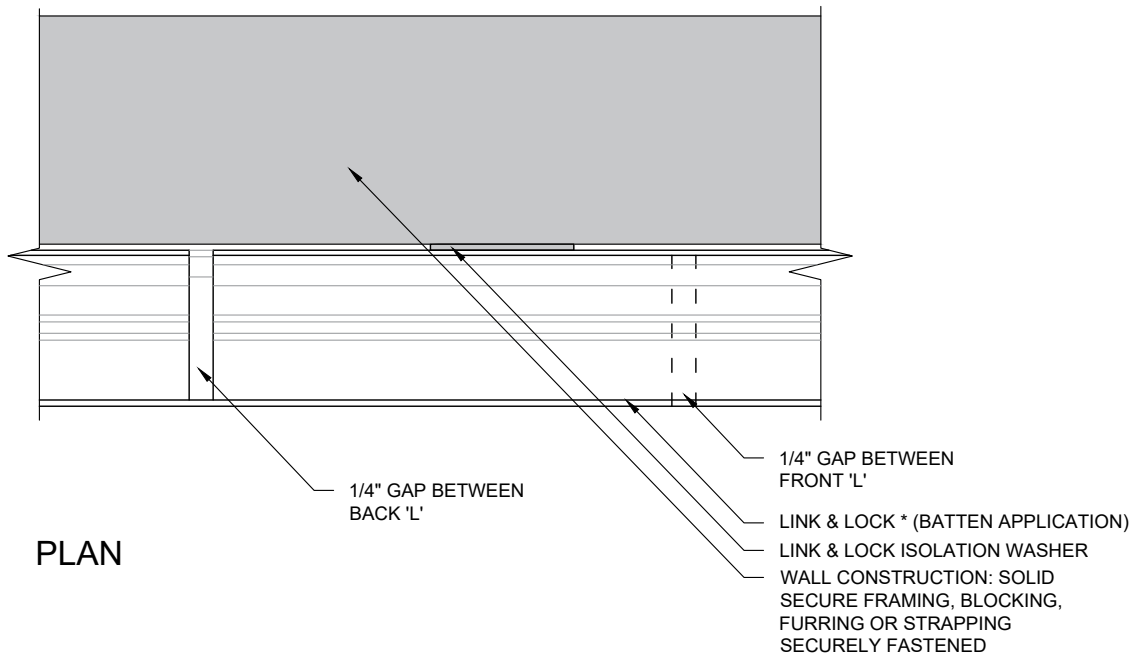




ELEVATION



SECTION



PLAN

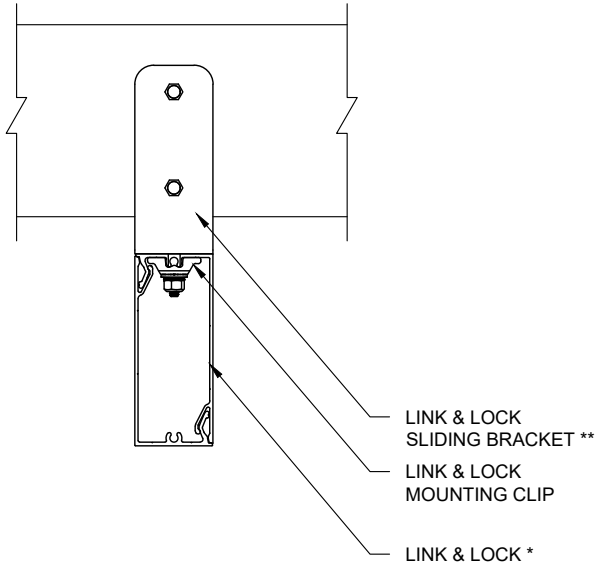
* THIS APPLICATION COULD BE TYPICAL FOR ALL LINK & LOCK PROFILES.

These drawings are published as an information guide only. These CAD drawings are intended as templates to assist the designer, they do not contain the full detail required for construction and must be read in conjunction with the installation instructions on www.longboardproducts.com. You should obtain architectural, engineering or other technical advice to assess the suitability of these drawings to the requirements of your particular project. Longboard Architectural Products accepts no liability in respect to the use of these drawings. For complete installation instructions refer to the appropriate documentation here www.longboardproducts.com/resources/technical-documentation/installation-guides

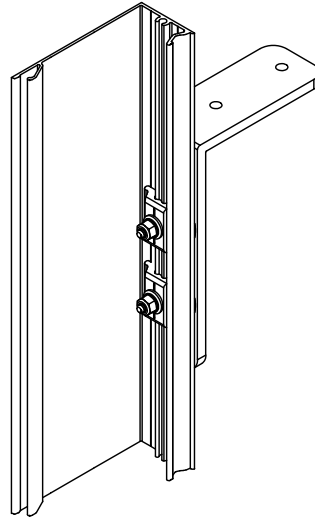
LAP-JOINT DETAIL
LINK & LOCK™

SCALE: 1:2

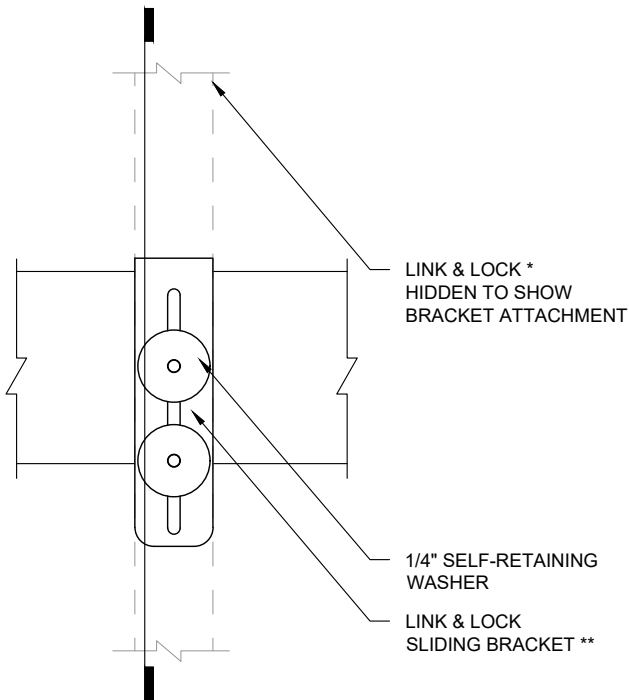




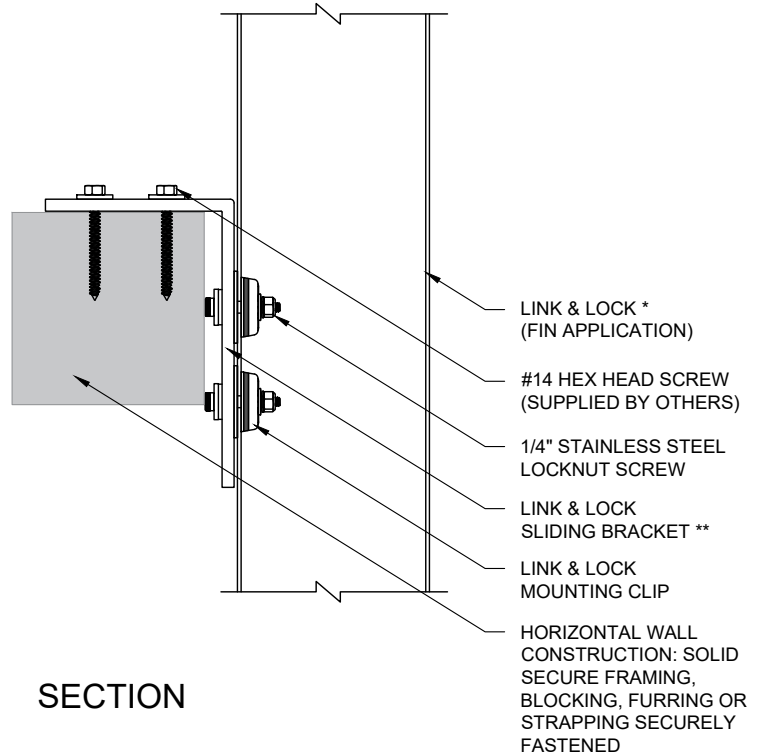
PLAN



ISOMETRIC VIEW



ELEVATION



SECTION

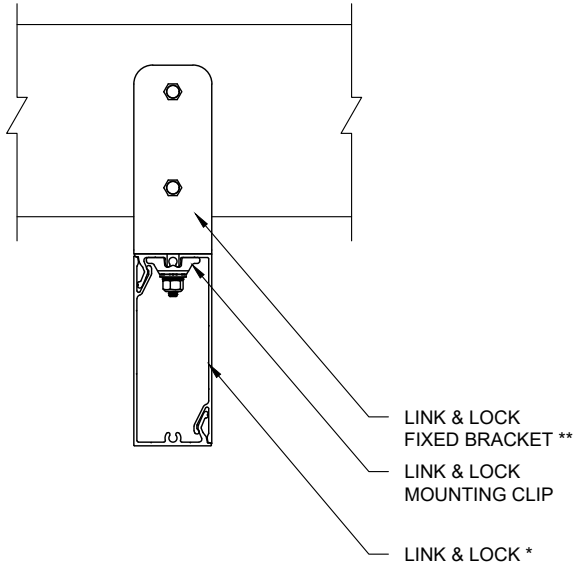
** THIS APPLICATION COULD BE TYPICAL FOR ALL LINK & LOCK SLIDING BRACKETS.
 * THIS APPLICATION COULD BE TYPICAL FOR ALL LINK & LOCK PROFILES.

These drawings are published as an information guide only. These CAD drawings are intended as templates to assist the designer, they do not contain the full detail required for construction and must be read in conjunction with the installation instructions on www.longboardproducts.com. You should obtain architectural, engineering or other technical advice to assess the suitability of these drawings to the requirements of your particular project. Longboard Architectural Products accepts no liability in respect to the use of these drawings. For complete installation instructions refer to the appropriate documentation here www.longboardproducts.com/resources/technical-documentation/installation-guides

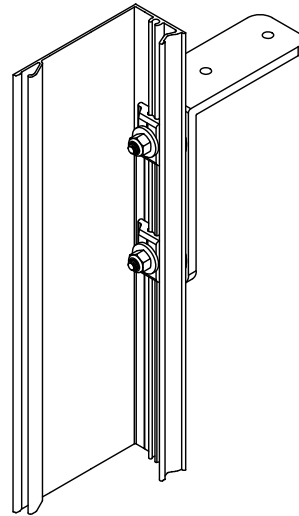
LINK & LOCK™ SINGLE SLIDING BRACKET ATTACHMENT

SCALE 1:4

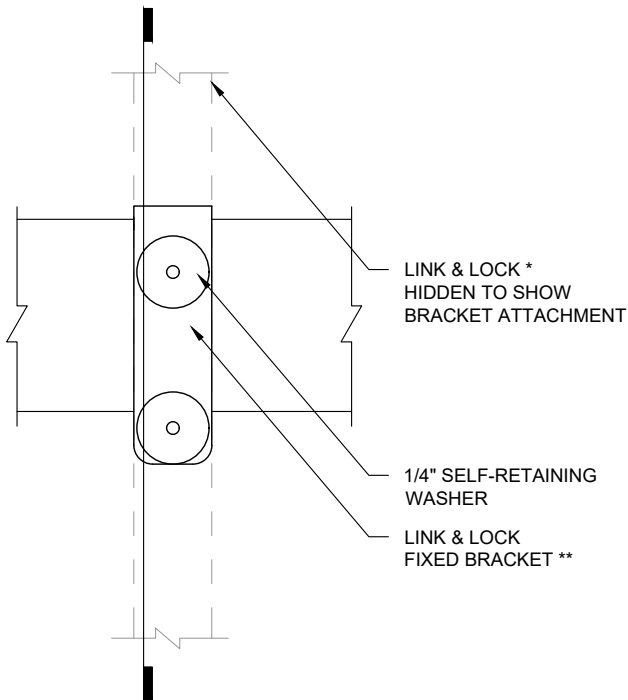




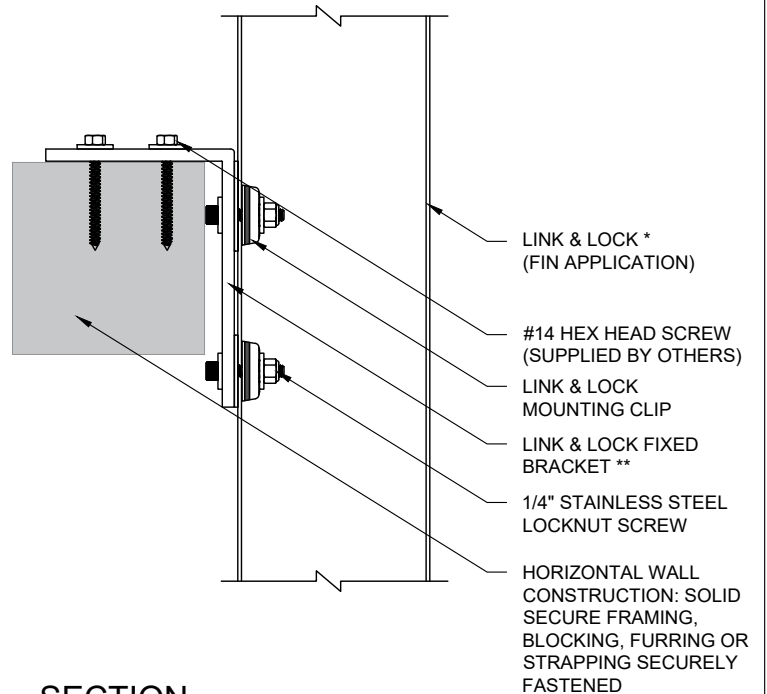
PLAN



ISOMETRIC VIEW



ELEVATION



SECTION

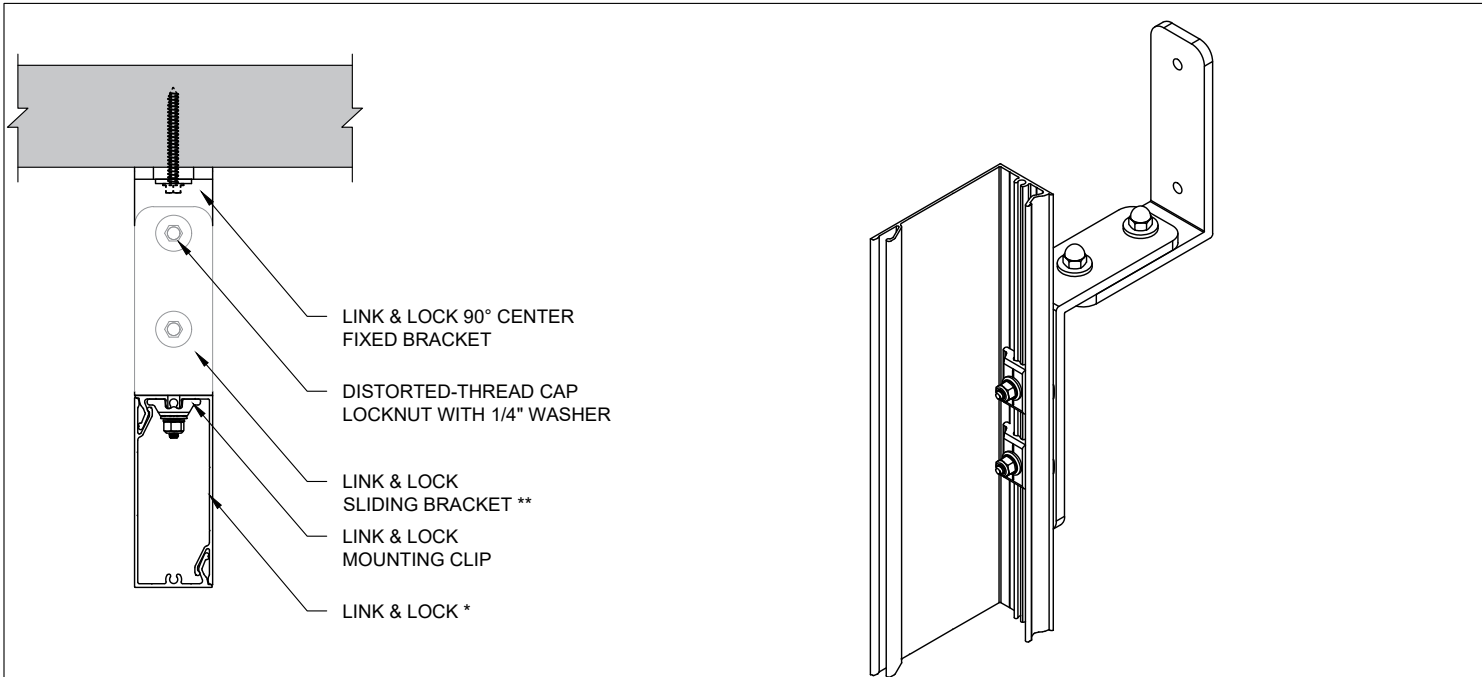
** THIS APPLICATION COULD BE TYPICAL FOR ALL LINK & LOCK FIXED BRACKETS.
 * THIS APPLICATION COULD BE TYPICAL FOR ALL LINK & LOCK PROFILES.

These drawings are published as an information guide only. These CAD drawings are intended as templates to assist the designer, they do not contain the full detail required for construction and must be read in conjunction with the installation instructions on www.longboardproducts.com. You should obtain architectural, engineering or other technical advice to assess the suitability of these drawings to the requirements of your particular project. Longboard Architectural Products accepts no liability in respect to the use of these drawings. For complete installation instructions refer to the appropriate documentation here www.longboardproducts.com/resources/technical-documentation/installation-guides

LINK & LOCK™ SINGLE FIXED BRACKET ATTACHMENT

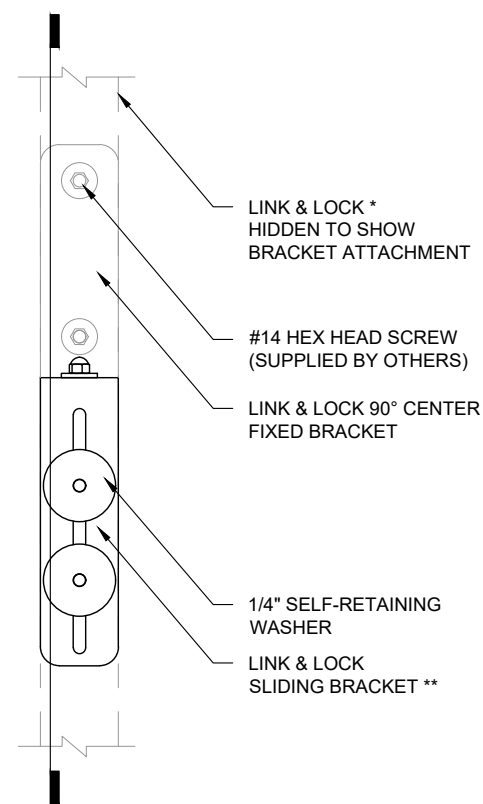
SCALE 1:4



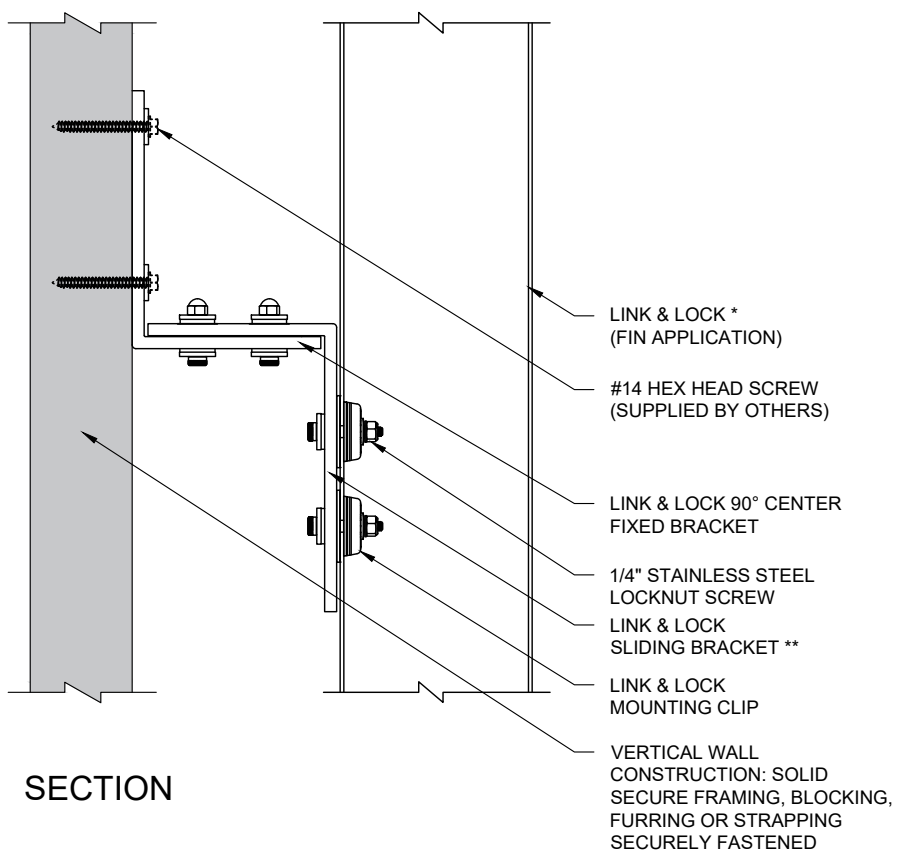


PLAN

ISOMETRIC VIEW



ELEVATION



SECTION

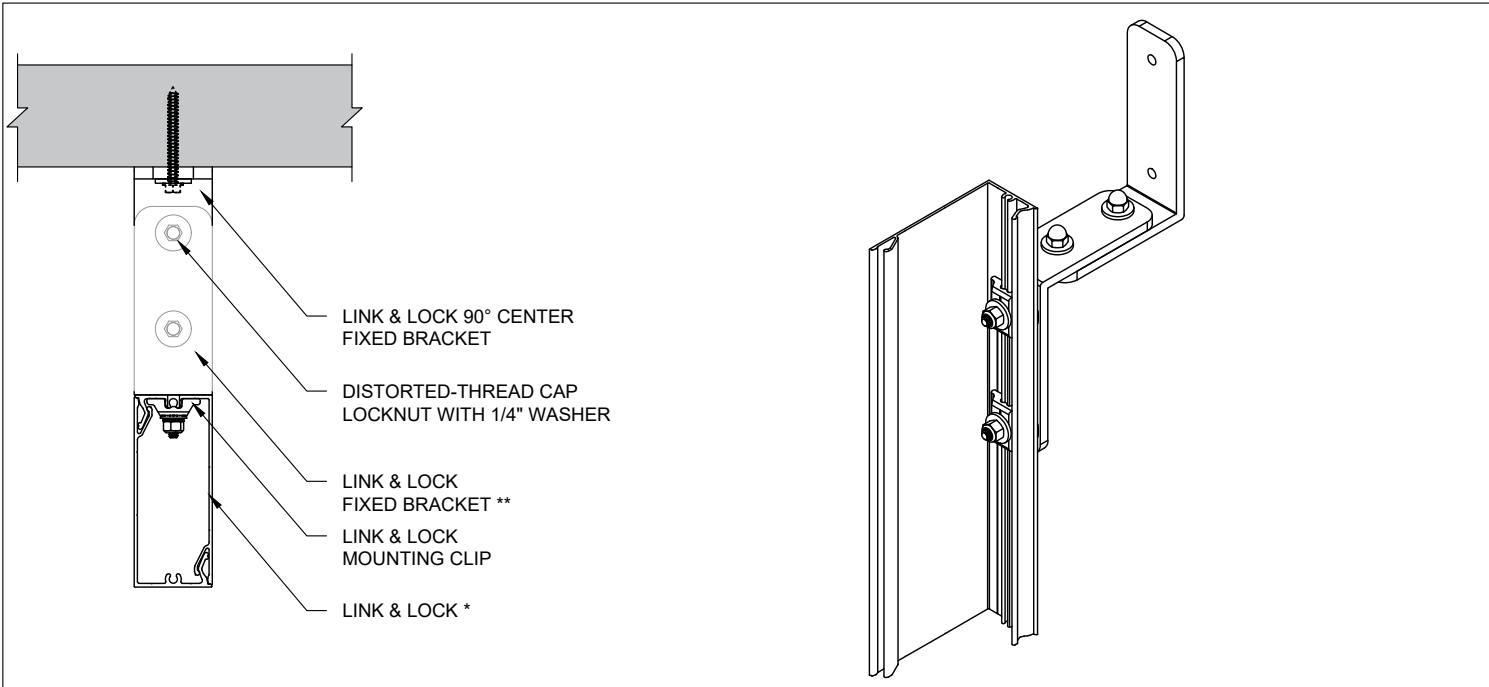
** THIS APPLICATION COULD BE TYPICAL FOR ALL LINK & LOCK SLIDING BRACKETS.
 * THIS APPLICATION COULD BE TYPICAL FOR ALL LINK & LOCK PROFILES.

These drawings are published as an information guide only. These CAD drawings are intended as templates to assist the designer, they do not contain the full detail required for construction and must be read in conjunction with the installation instructions on www.longboardproducts.com. You should obtain architectural, engineering or other technical advice to assess the suitability of these drawings to the requirements of your particular project. Longboard Architectural Products accepts no liability in respect to the use of these drawings. For complete installation instructions refer to the appropriate documentation here www.longboardproducts.com/resources/technical-documentation/installation-guides

LINK & LOCK™ DUAL SLIDING BRACKET ATTACHMENT

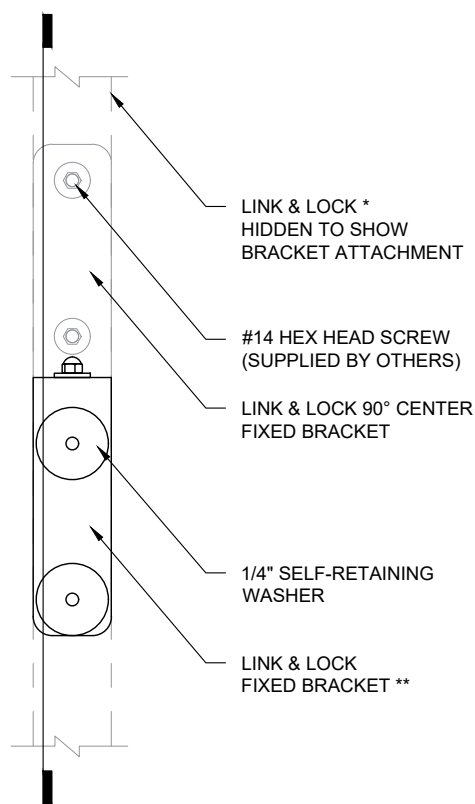
SCALE 1:4



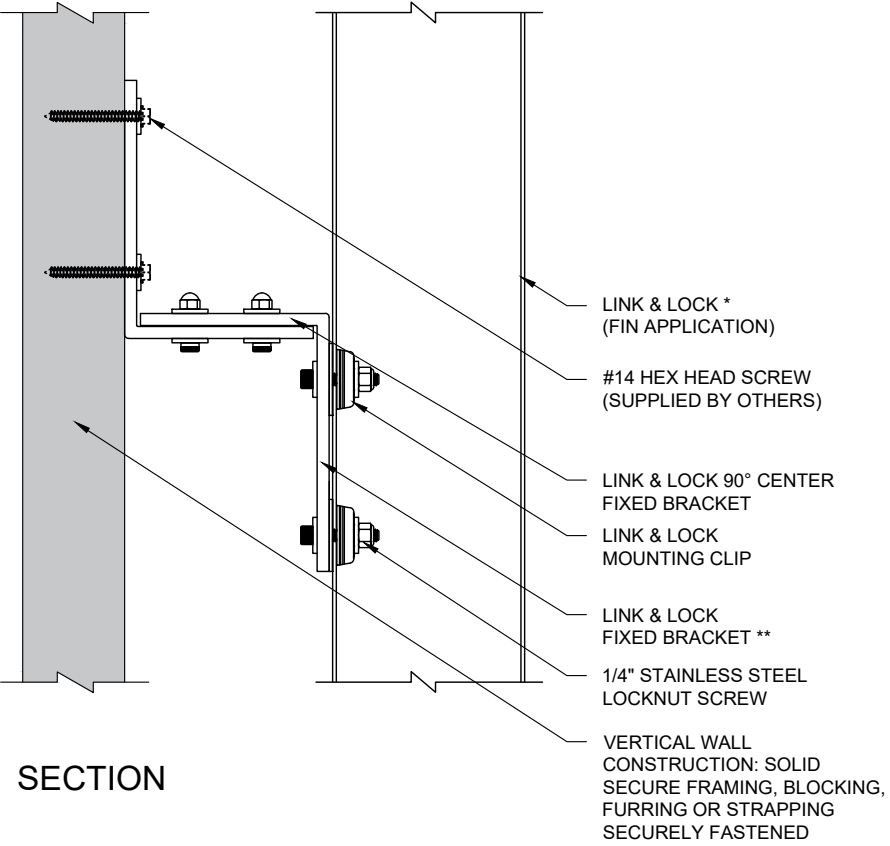


PLAN

ISOMETRIC VIEW



ELEVATION



SECTION

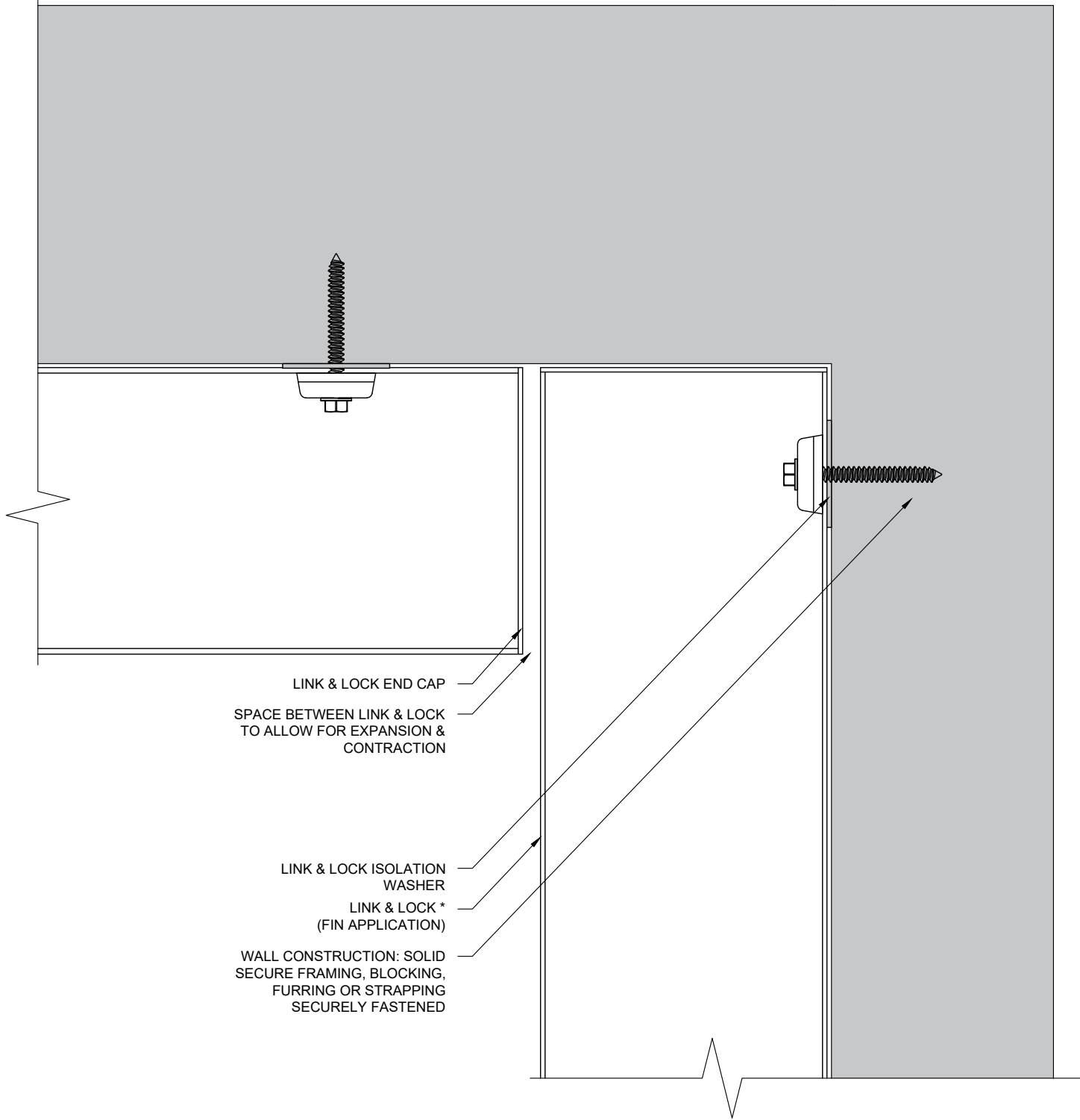
** THIS APPLICATION COULD BE TYPICAL FOR ALL LINK & LOCK SLIDING BRACKETS.
 * THIS APPLICATION COULD BE TYPICAL FOR ALL LINK & LOCK PROFILES.

LINK & LOCK™ DUAL FIXED BRACKET ATTACHMENT

SCALE 1:4



These drawings are published as an information guide only. These CAD drawings are intended as templates to assist the designer, they do not contain the full detail required for construction and must be read in conjunction with the installation instructions on www.longboardproducts.com. You should obtain architectural, engineering or other technical advice to assess the suitability of these drawings to the requirements of your particular project. Longboard Architectural Products accepts no liability in respect to the use of these drawings. For complete installation instructions refer to the appropriate documentation here www.longboardproducts.com/resources/technical-documentation/installation-guides



* THIS APPLICATION COULD BE TYPICAL FOR ALL LINK & LOCK PROFILES.

These drawings are published as an information guide only. These CAD drawings are intended as templates to assist the designer, they do not contain the full detail required for construction and must be read in conjunction with the installation instructions on www.longboardproducts.com. You should obtain architectural, engineering or other technical advice to assess the suitability of these drawings to the requirements of your particular project. Longboard Architectural Products accepts no liability in respect to the use of these drawings. For complete installation instructions refer to the appropriate documentation here www.longboardproducts.com/resources/technical-documentation/installation-guides

CLADDING TO SOFFIT TRANSITION

LINK & LOCK™

SCALE: 1:2

