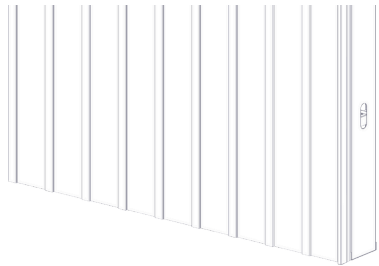


BOARD & BATTEN SIDING

TYPICAL ISOMETRIC



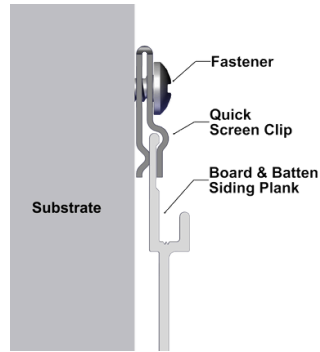
PROFILES

Board & Batten plank: 7"
Standard Lengths: 6', 12'
Box: 56 SQ FT (8/12's)

COMPONENTS - Standard Lengths: 12'

Traditional: B&B Back-to Back Starter,
J-Track (1-3/8"), 2" Corner Set, Drip Edge

Craftsman: 7/8" J-Track, 7/8" Two Piece
J-Track



FINISHES

Available: 4 solid Tier 1 colors

ATTACHMENT

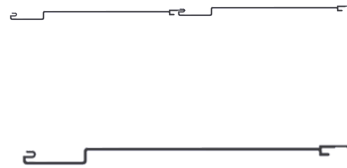
Planks: Quick-screen clips w. #10 Pan Head screws* @ 32" o.c. (standard).
Quick-screen clips included: 56 pcs/box (8/12's)
Trims: hard fasten w. #10 Pan Head screws* @ 16" o.c. *Screws not included.

BIM & CAD

RVT & DWG files available, see
website for details

LEAD TIME

-ready to ship within 1 week



7" Board & Batten plank
(vertical orientation only)

TECHNICAL SPECIFICATIONS

PHYSICAL DATA

6063-T5 Extruded Aluminum
100% Recyclable
Warranty: Finish:15 year (standard)/20 year* (ultra) (*10 week lead time);
Aluminum: 50 year
Weight (lbs/sqft): ~1.035

TESTING

ICC-ESR 4182 Evaluation Report - Division: 07 00 00 Thermal and Moisture
Protection Section: 07 46 00 - Siding

AAMA 509 Rainscreen: W1, V2

LARR - Los Angeles Department of Building Safety (LADBS) accepts ICC-ES
reports as proof of compliance

WUI (The Wildland-Urban Interface) – California Department of Forestry & Fire
Protection Office of the State Fire Marshal Listing No. 8140-2286:0500



Fire Rating: Class A Non-Combustible by ASTM E136 & ASTM E84 ;
A2-s1,d0 by EN 13501-1



Light Reflectance: 5% (Black) up to 73.2% (Ultra White)



Wind load: Up to 121 psf (5794 Pa) TAS202, TAS203



info@longboardproducts.com
longboardproducts.com
800 604 0343