

BOARD & BATTEN SIDING TYPICAL DETAILS

TABLE OF CONTENT

(Click on the drawing name below to be directed to the right profile)

[TYPICAL WALL DETAIL– BOARD & BATTEN PLANK](#)

[BACK-TO-BACK STARTER DETAIL– BOARD & BATTEN PLANK](#)

[BOTTOM OF WALL DETAIL – BOARD & BATTEN PLANK](#)

[THROUGH WALL FLASHING DETAIL – BOARD & BATTEN PLANK](#)

[PARAPET DETAIL – BOARD & BATTEN PLANK](#)

[WALL EDGE DETAIL – BOARD & BATTEN PLANK](#)

[OUTSIDE CORNER DETAIL – BOARD & BATTEN PLANK](#)

[INSIDE CORNER DETAIL – BOARD & BATTEN PLANK](#)

[NON 90 DEGREE CORNER DETAIL – BOARD & BATTEN PLANK](#)

[WINDOW DETAIL – BOARD & BATTEN PLANK](#)

[PENETRATION DETAIL – BOARD & BATTEN PLANK](#)

[BOARD & BATTEN PLANK TO LAP PLANK TRANSITION DETAIL](#)

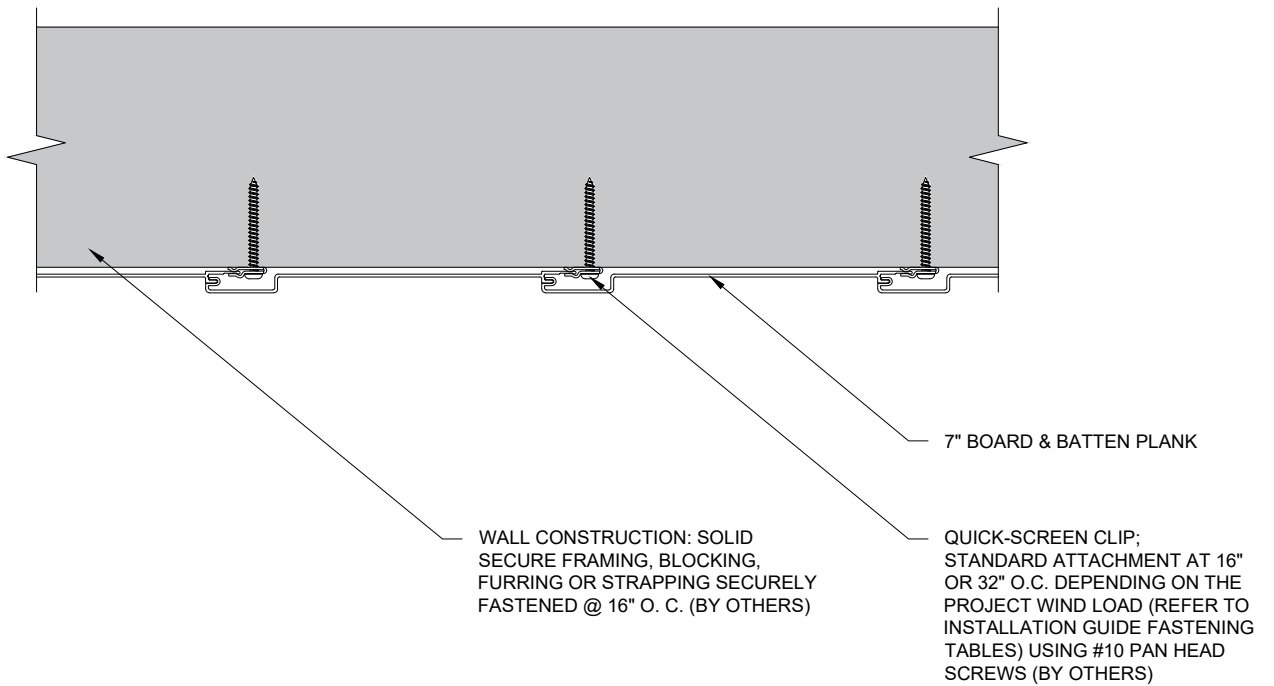
[BOARD & BATTEN PLANK TO PERPENDICULAR SOFFIT TRANSITION DETAIL](#)

[BOARD & BATTEN PLANK TO PARALLEL SOFFIT TRANSITION DETAIL](#)

[SINGLE BUTT-JOINT DETAIL - BOARD & BATTEN PLANK](#)

[MULTIPLE BUTT-JOINT DETAIL - BOARD & BATTEN PLANK](#)

[HARD FASTENING DETAIL - BOARD & BATTEN PLANK](#)



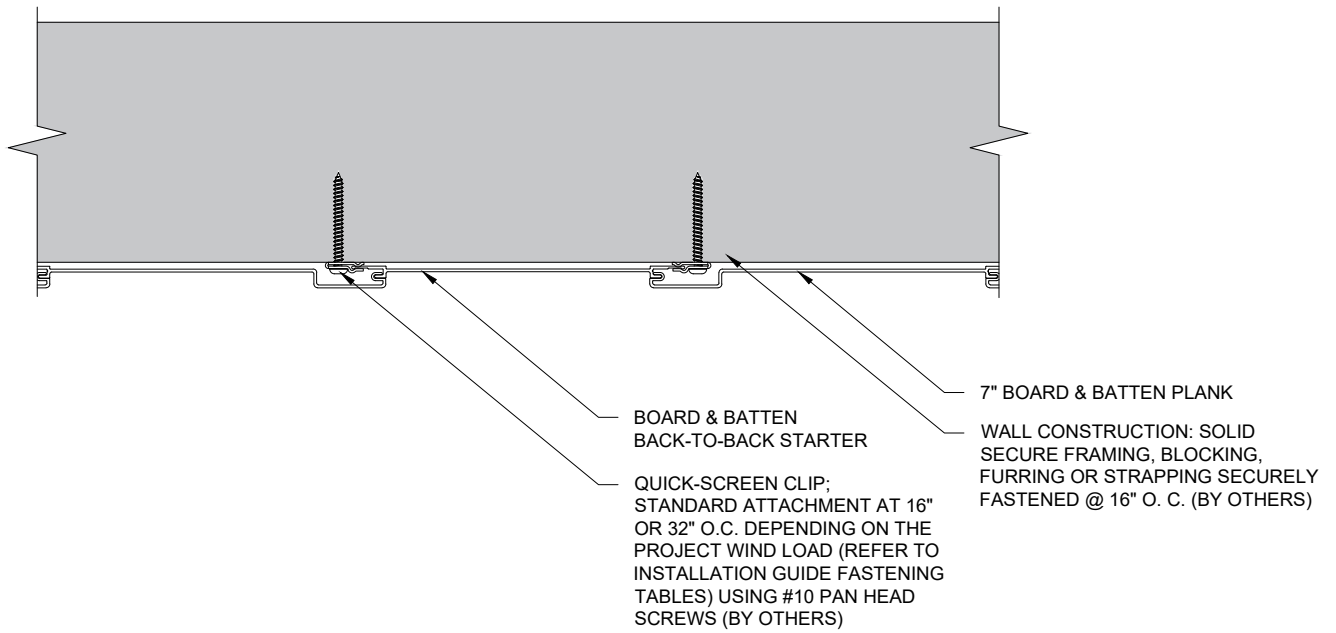
PLAN VIEW

These drawings are published as an information guide only. These CAD drawings are intended as templates to assist the designer, they do not contain the full detail required for construction and must be read in conjunction with the installation instructions on www.longboardproducts.com. You should obtain architectural, engineering or other technical advice to assess the suitability of these drawings to the requirements of your particular project. Longboard Architectural Products accepts no liability in respect to the use of these drawings. For complete installation instructions refer to the appropriate documentation here www.longboardproducts.com/resources/technical-documentation/installation-guides

TYPICAL WALL DETAIL BOARD & BATTEN PLANK

SCALE 1:4





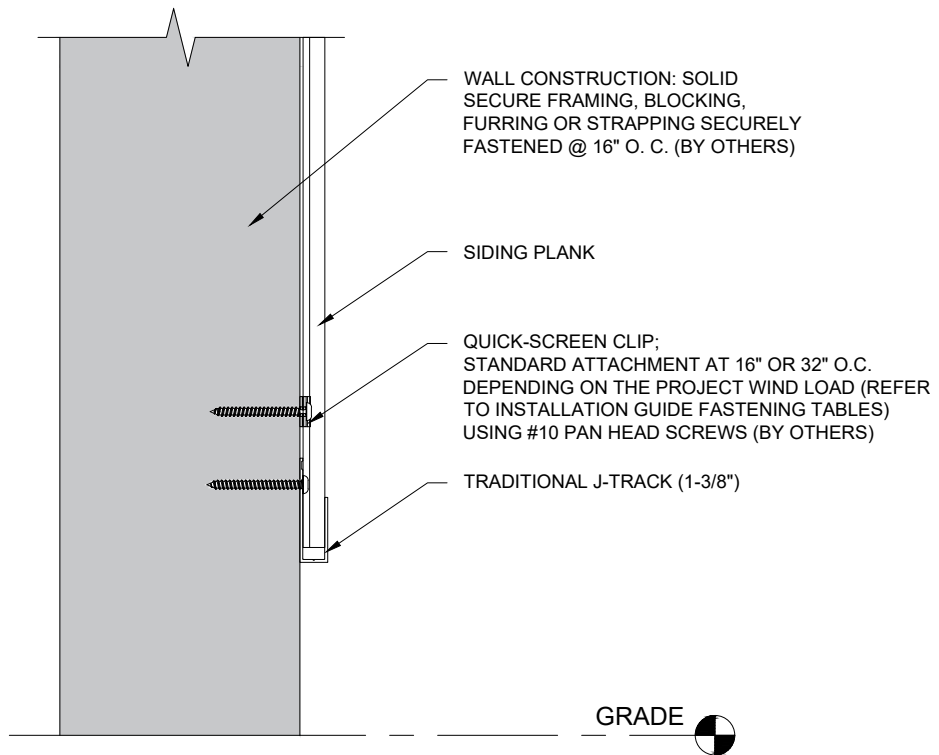
PLAN VIEW

These drawings are published as an information guide only. These CAD drawings are intended as templates to assist the designer, they do not contain the full detail required for construction and must be read in conjunction with the installation instructions on www.longboardproducts.com. You should obtain architectural, engineering or other technical advice to assess the suitability of these drawings to the requirements of your particular project. Longboard Architectural Products accepts no liability in respect to the use of these drawings. For complete installation instructions refer to the appropriate documentation here www.longboardproducts.com/resources/technical-documentation/installation-guides

BACK-TO-BACK STARTER DETAIL BOARD & BATTEN PLANK

SCALE 1:4





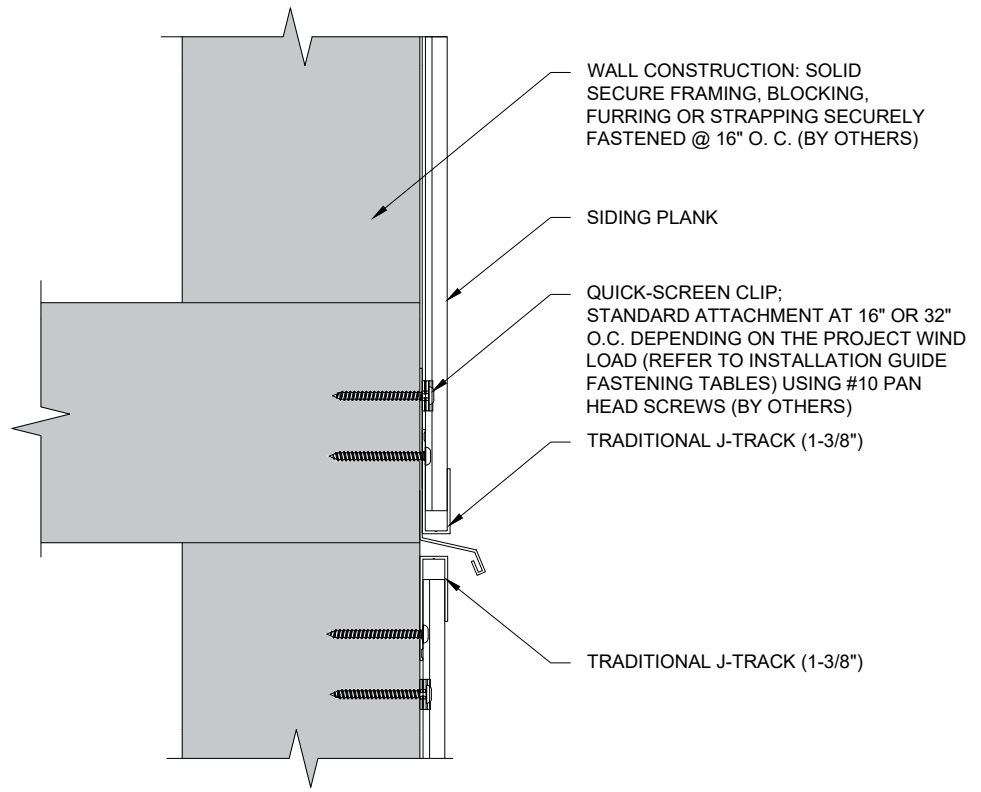
SECTION VIEW

These drawings are published as an information guide only. These CAD drawings are intended as templates to assist the designer, they do not contain the full detail required for construction and must be read in conjunction with the installation instructions on www.longboardproducts.com. You should obtain architectural, engineering or other technical advice to assess the suitability of these drawings to the requirements of your particular project. Longboard Architectural Products accepts no liability in respect to the use of these drawings. For complete installation instructions refer to the appropriate documentation here www.longboardproducts.com/resources/technical-documentation/installation-guides

BOTTOM OF WALL DETAIL BOARD & BATTEN PLANK

SCALE 1:4





WALL CONSTRUCTION: SOLID
 SECURE FRAMING, BLOCKING,
 FURRING OR STRAPPING SECURELY
 FASTENED @ 16" O. C. (BY OTHERS)

SIDING PLANK

QUICK-SCREEN CLIP;
 STANDARD ATTACHMENT AT 16" OR 32"
 O.C. DEPENDING ON THE PROJECT WIND
 LOAD (REFER TO INSTALLATION GUIDE
 FASTENING TABLES) USING #10 PAN
 HEAD SCREWS (BY OTHERS)

TRADITIONAL J-TRACK (1-3/8")

TRADITIONAL J-TRACK (1-3/8")

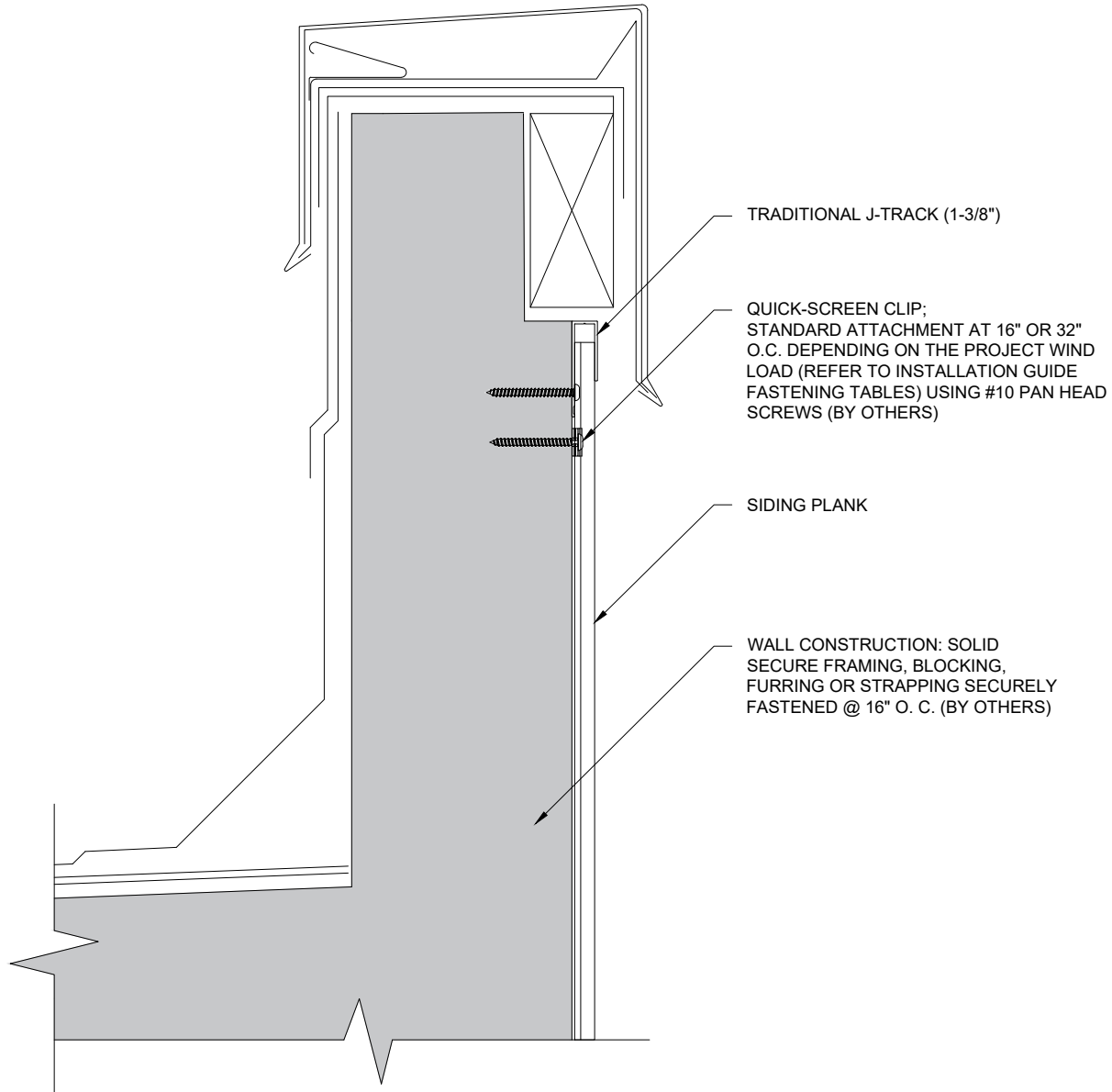
SECTION VIEW

These drawings are published as an information guide only. These CAD drawings are intended as templates to assist the designer, they do not contain the full detail required for construction and must be read in conjunction with the installation instructions on www.longboardproducts.com. You should obtain architectural, engineering or other technical advice to assess the suitability of these drawings to the requirements of your particular project. Longboard Architectural Products accepts no liability in respect to the use of these drawings. For complete installation instructions refer to the appropriate documentation here www.longboardproducts.com/resources/technical-documentation/installation-guides

THROUGH WALL FLASHING DETAIL BOARD & BATTEN PLANK

SCALE 1:4





SECTION VIEW

TRADITIONAL J-TRACK (1-3/8")

QUICK-SCREEN CLIP;
STANDARD ATTACHMENT AT 16" OR 32"
O.C. DEPENDING ON THE PROJECT WIND
LOAD (REFER TO INSTALLATION GUIDE
FASTENING TABLES) USING #10 PAN HEAD
SCREWS (BY OTHERS)

SIDING PLANK

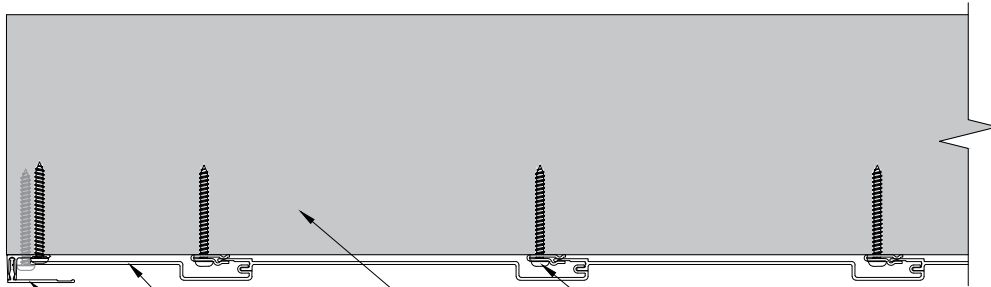
WALL CONSTRUCTION: SOLID
SECURE FRAMING, BLOCKING,
FURRING OR STRAPPING SECURELY
FASTENED @ 16" O. C. (BY OTHERS)

These drawings are published as an information guide only. These CAD drawings are intended as templates to assist the designer, they do not contain the full detail required for construction and must be read in conjunction with the installation instructions on www.longboardproducts.com. You should obtain architectural, engineering or other technical advice to assess the suitability of these drawings to the requirements of your particular project. Longboard Architectural Products accepts no liability in respect to the use of these drawings. For complete installation instructions refer to the appropriate documentation here www.longboardproducts.com/resources/technical-documentation/installation-guides

PARAPET DETAIL BOARD & BATTEN PLANK

SCALE 1:4





7" BOARD &
BATTEN PLANK

TRADITIONAL TWO-PIECE
J-TRACK (1-3/8")

QUICK-SCREEN CLIP;
STANDARD ATTACHMENT AT 16" OR 32"
O.C. DEPENDING ON THE PROJECT WIND
LOAD (REFER TO INSTALLATION GUIDE
FASTENING TABLES) USING #10 PAN HEAD
SCREWS (BY OTHERS)

WALL CONSTRUCTION: SOLID
SECURE FRAMING, BLOCKING,
FURRING OR STRAPPING SECURELY
FASTENED @ 16" O. C. (BY OTHERS)

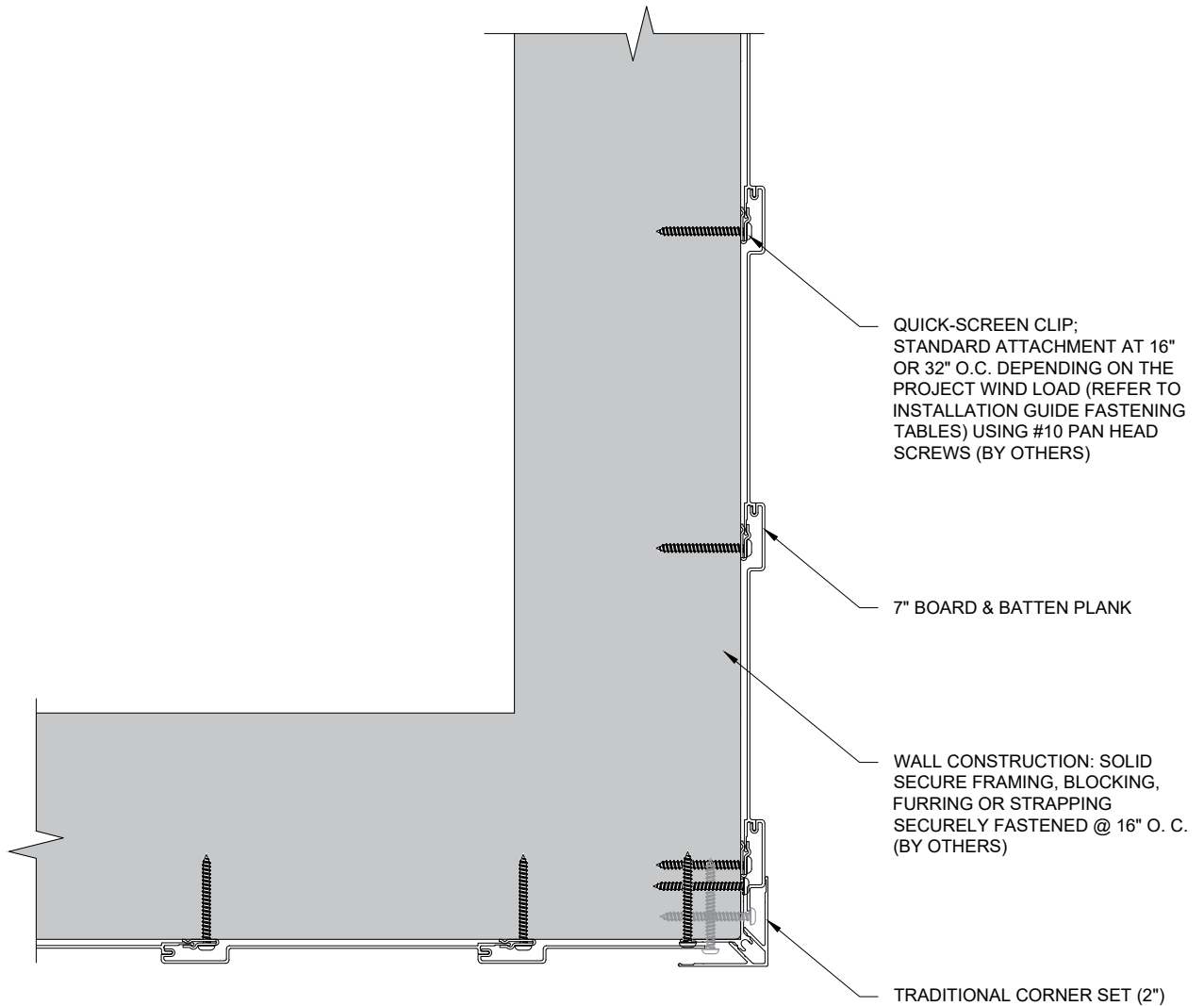
PLAN VIEW

These drawings are published as an information guide only. These CAD drawings are intended as templates to assist the designer, they do not contain the full detail required for construction and must be read in conjunction with the installation instructions on www.longboardproducts.com. You should obtain architectural, engineering or other technical advice to assess the suitability of these drawings to the requirements of your particular project. Longboard Architectural Products accepts no liability in respect to the use of these drawings. For complete installation instructions refer to the appropriate documentation here www.longboardproducts.com/resources/technical-documentation/installation-guides

WALL EDGE DETAIL BOARD & BATTEN PLANK

SCALE 1:4





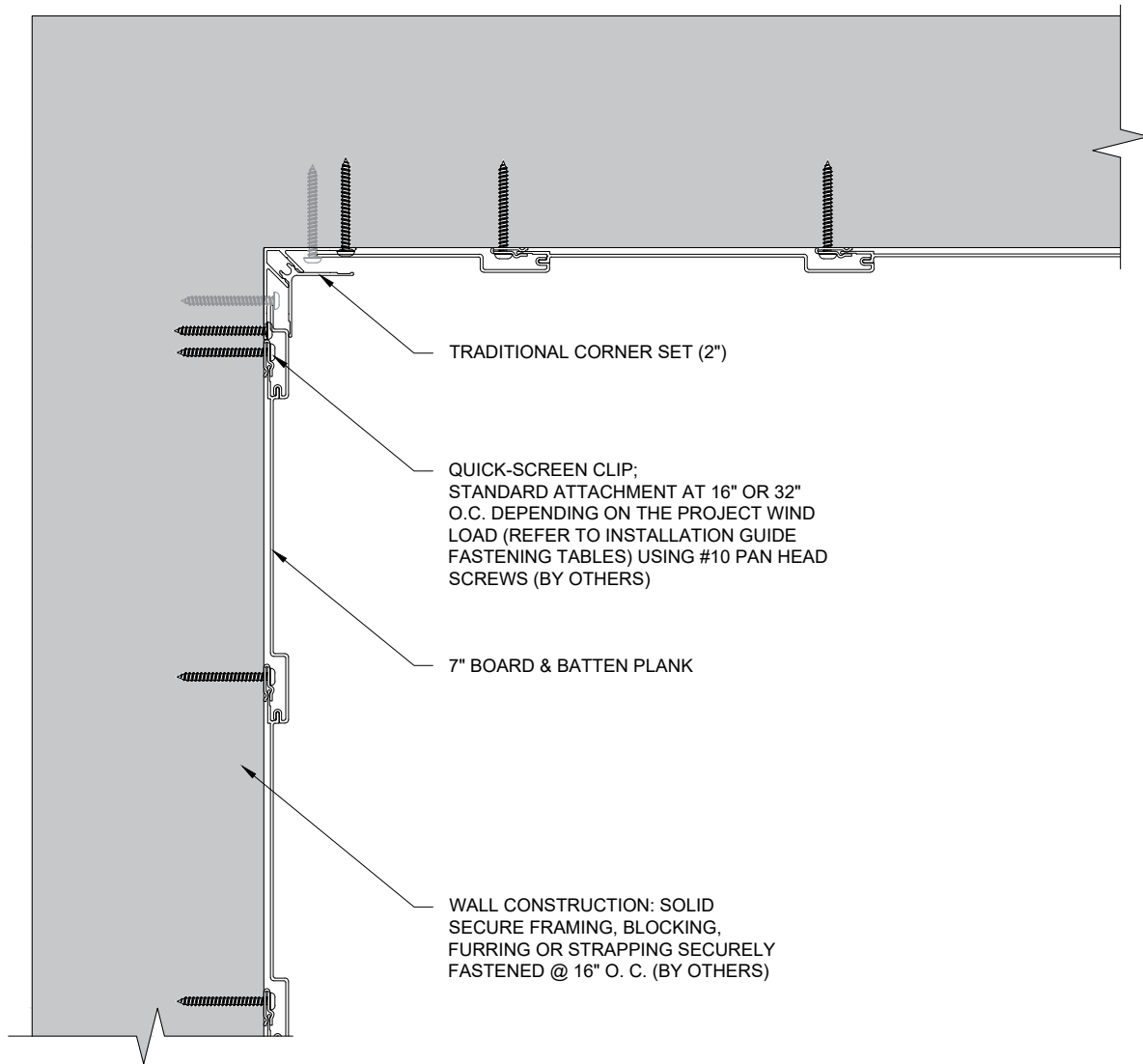
PLAN VIEW

These drawings are published as an information guide only. These CAD drawings are intended as templates to assist the designer, they do not contain the full detail required for construction and must be read in conjunction with the installation instructions on www.longboardproducts.com. You should obtain architectural, engineering or other technical advice to assess the suitability of these drawings to the requirements of your particular project. Longboard Architectural Products accepts no liability in respect to the use of these drawings. For complete installation instructions refer to the appropriate documentation here www.longboardproducts.com/resources/technical-documentation/installation-guides

OUTSIDE CORNER DETAIL BOARD & BATTEN PLANK

SCALE 1:4





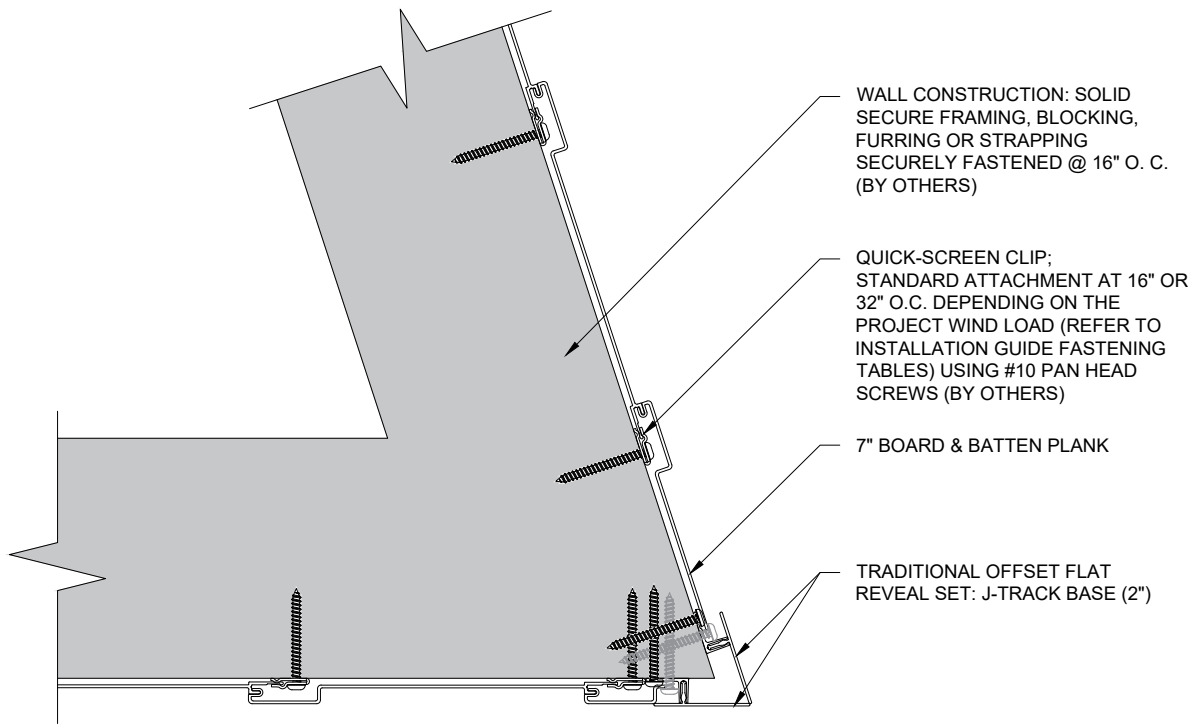
PLAN VIEW

These drawings are published as an information guide only. These CAD drawings are intended as templates to assist the designer, they do not contain the full detail required for construction and must be read in conjunction with the installation instructions on www.longboardproducts.com. You should obtain architectural, engineering or other technical advice to assess the suitability of these drawings to the requirements of your particular project. Longboard Architectural Products accepts no liability in respect to the use of these drawings. For complete installation instructions refer to the appropriate documentation here www.longboardproducts.com/resources/technical-documentation/installation-guides

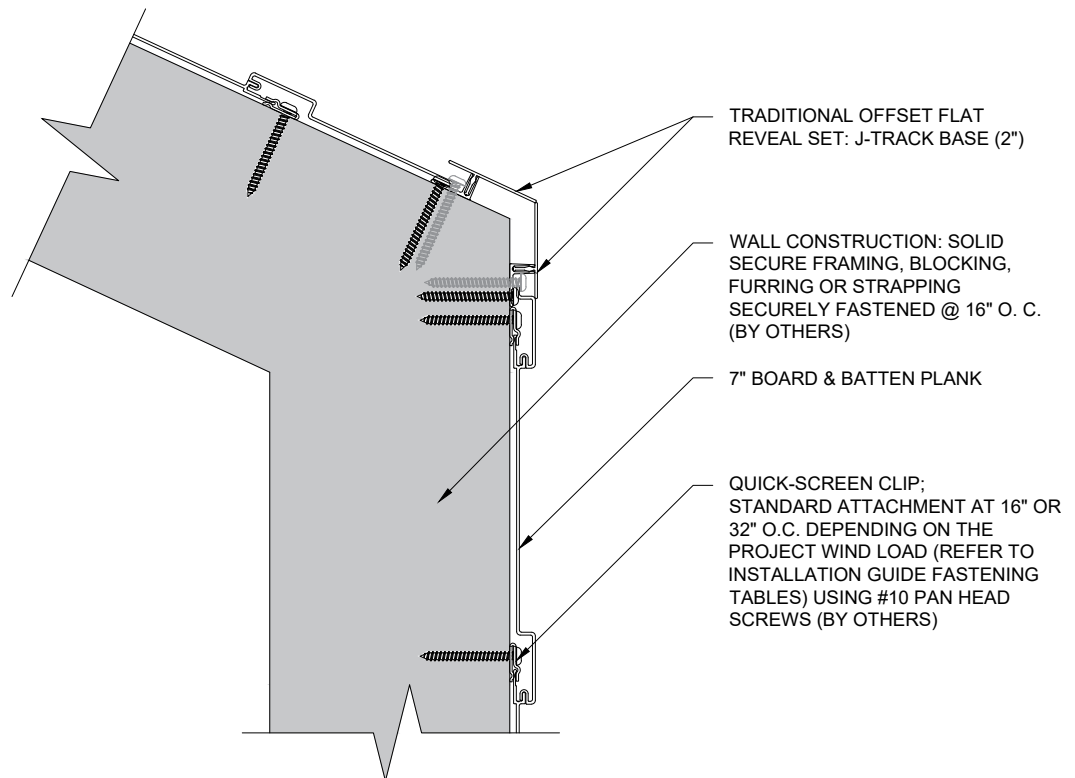
INSIDE CORNER DETAIL BOARD & BATTEN PLANK

SCALE 1:4





PLAN VIEW



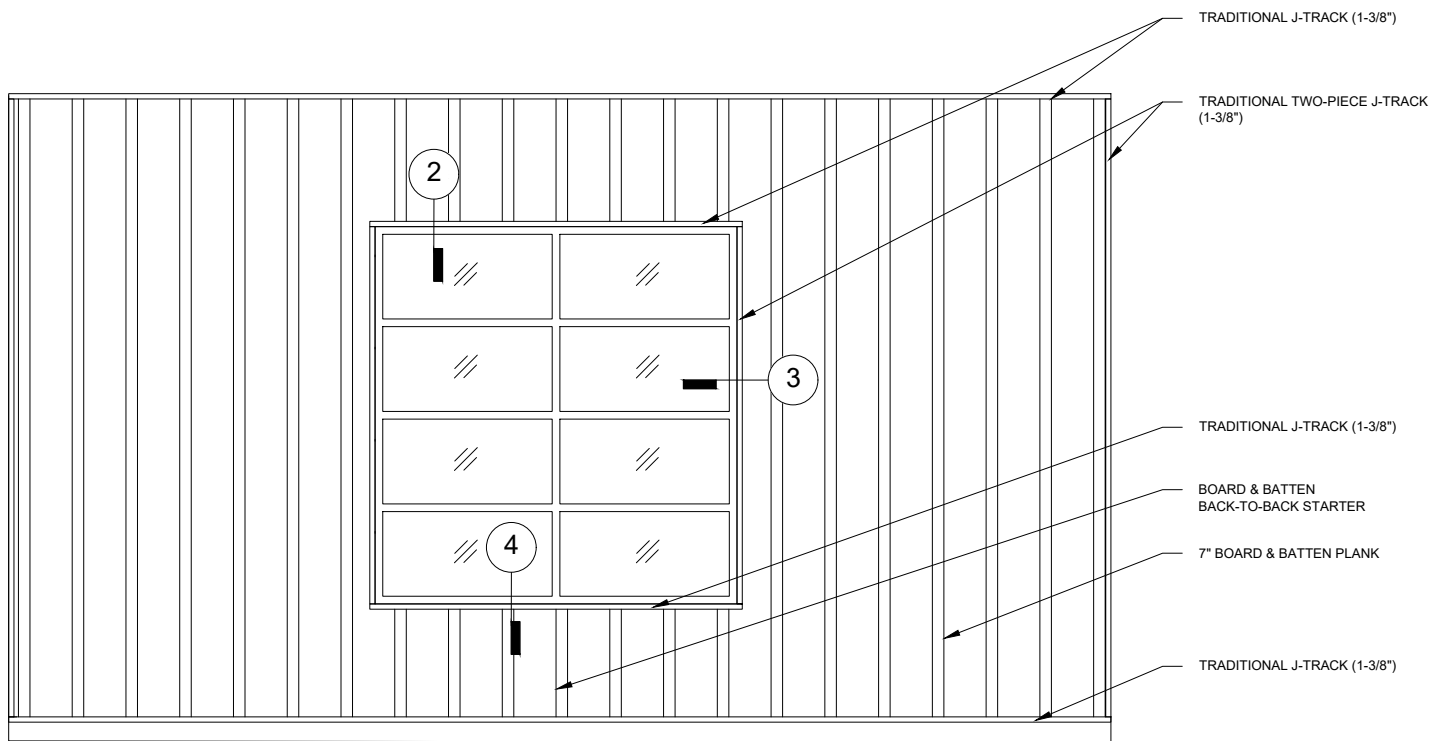
PLAN VIEW

These drawings are published as an information guide only. These CAD drawings are intended as templates to assist the designer, they do not contain the full detail required for construction and must be read in conjunction with the installation instructions on www.longboardproducts.com. You should obtain architectural, engineering or other technical advice to assess the suitability of these drawings to the requirements of your particular project. Longboard Architectural Products accepts no liability in respect to the use of these drawings. For complete installation instructions refer to the appropriate documentation here www.longboardproducts.com/resources/technical-documentation/installation-guides

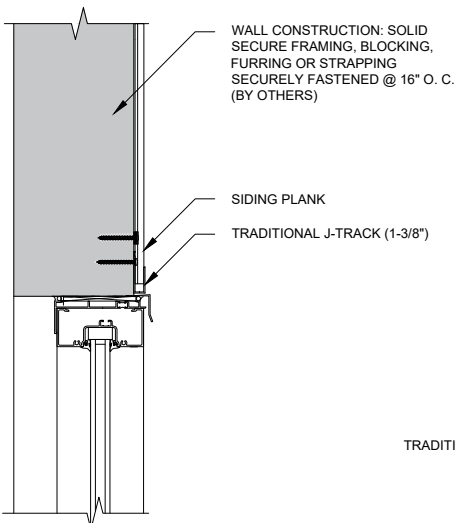
NON 90 DEGREE CORNER DETAIL BOARD & BATTEN PLANK

SCALE 1:4

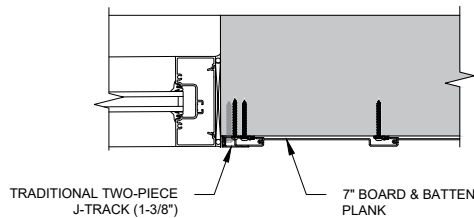




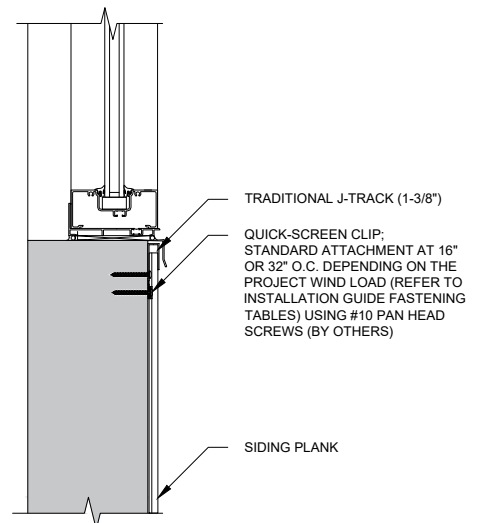
1 WALL ELEVATION
SCALE: 1:50



2 HEAD DETAIL
SCALE: 1:10



3 JAMB DETAIL
SCALE: 1:10



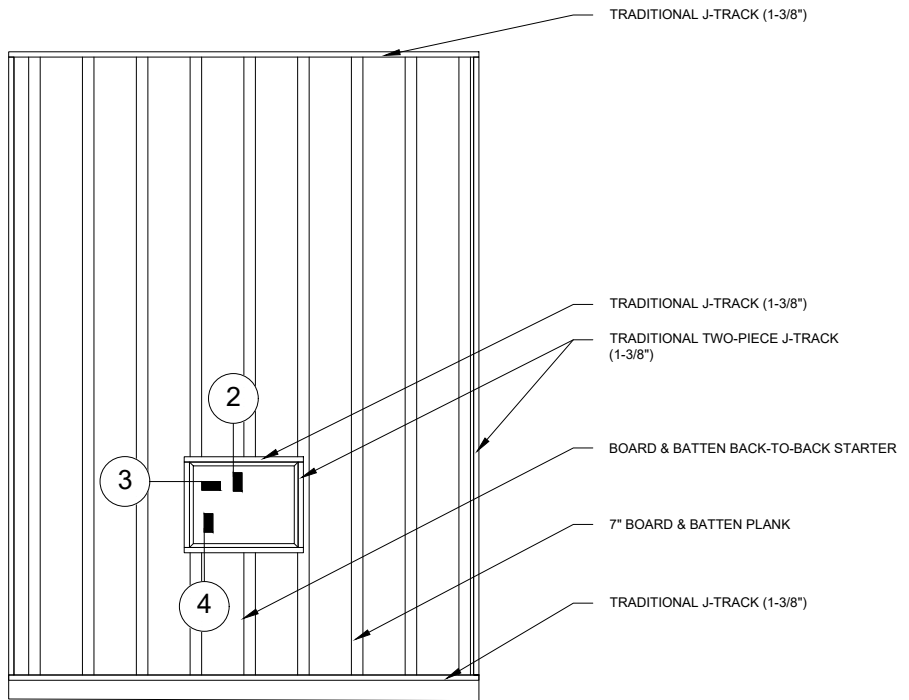
4 SILL DETAIL
SCALE: 1:10

These drawings are published as an information guide only. These CAD drawings are intended as templates to assist the designer, they do not contain the full detail required for construction and must be read in conjunction with the installation instructions on www.longboardproducts.com. You should obtain architectural, engineering or other technical advice to assess the suitability of these drawings to the requirements of your particular project. Longboard Architectural Products accepts no liability in respect to the use of these drawings. For complete installation instructions refer to the appropriate documentation here www.longboardproducts.com/resources/technical-documentation/installation-guides

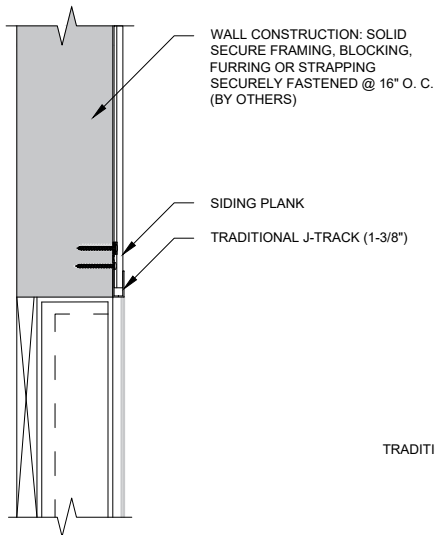
WINDOW DETAIL BOARD & BATTEN PLANK

SCALE: AS INDICATED

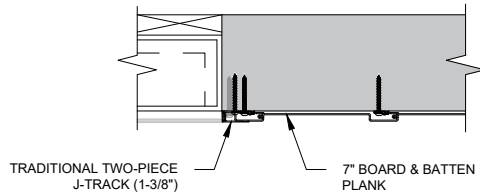




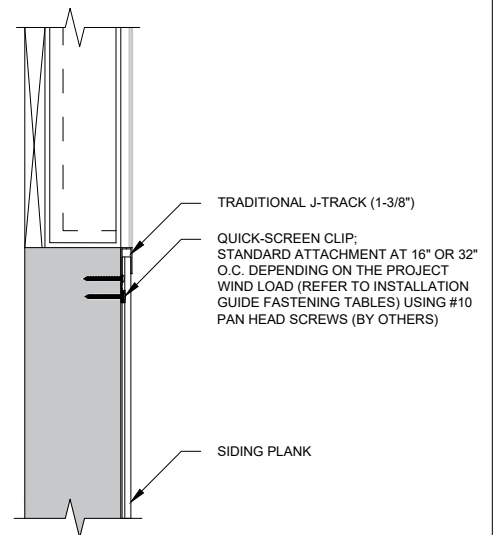
1 WALL ELEVATION
SCALE: 1:50



2 HEAD DETAIL
SCALE: 1:10



3 JAMB DETAIL
SCALE: 1:10



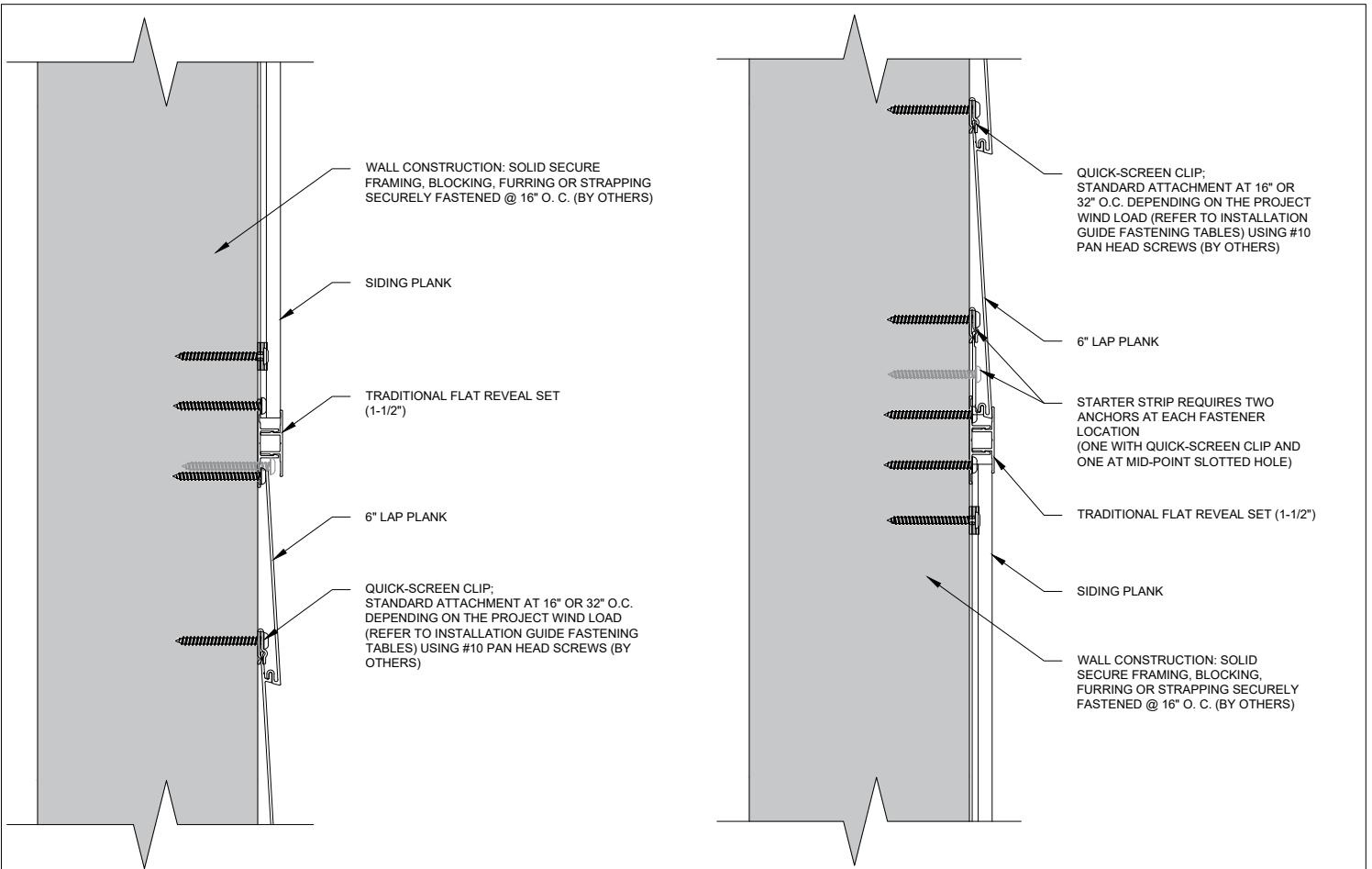
4 SILL DETAIL
SCALE: 1:10

These drawings are published as an information guide only. These CAD drawings are intended as templates to assist the designer, they do not contain the full detail required for construction and must be read in conjunction with the installation instructions on www.longboardproducts.com. You should obtain architectural, engineering or other technical advice to assess the suitability of these drawings to the requirements of your particular project. Longboard Architectural Products accepts no liability in respect to the use of these drawings. For complete installation instructions refer to the appropriate documentation here www.longboardproducts.com/resources/technical-documentation/installation-guides

PENETRATION DETAIL BOARD & BATTEN PLANK

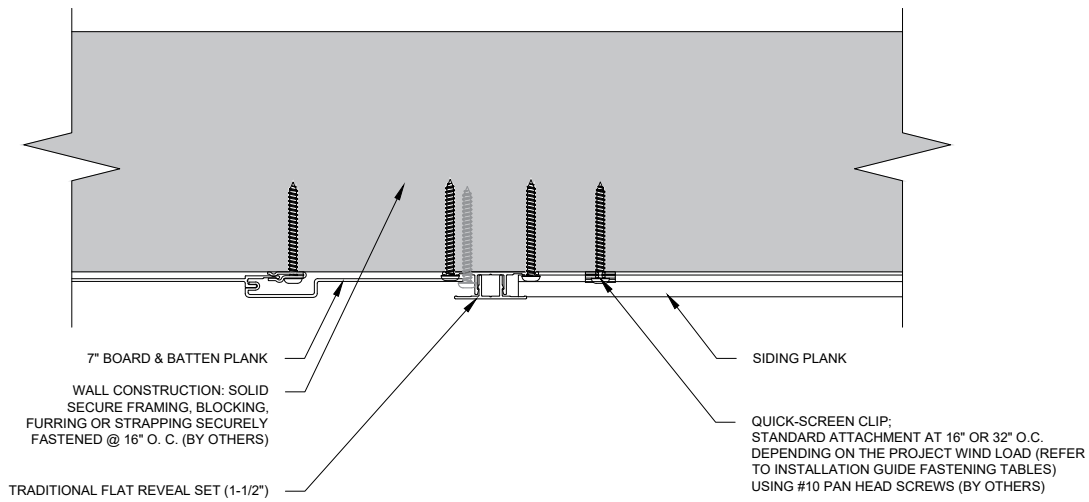
SCALE: AS INDICATED





SECTION VIEW

SECTION VIEW



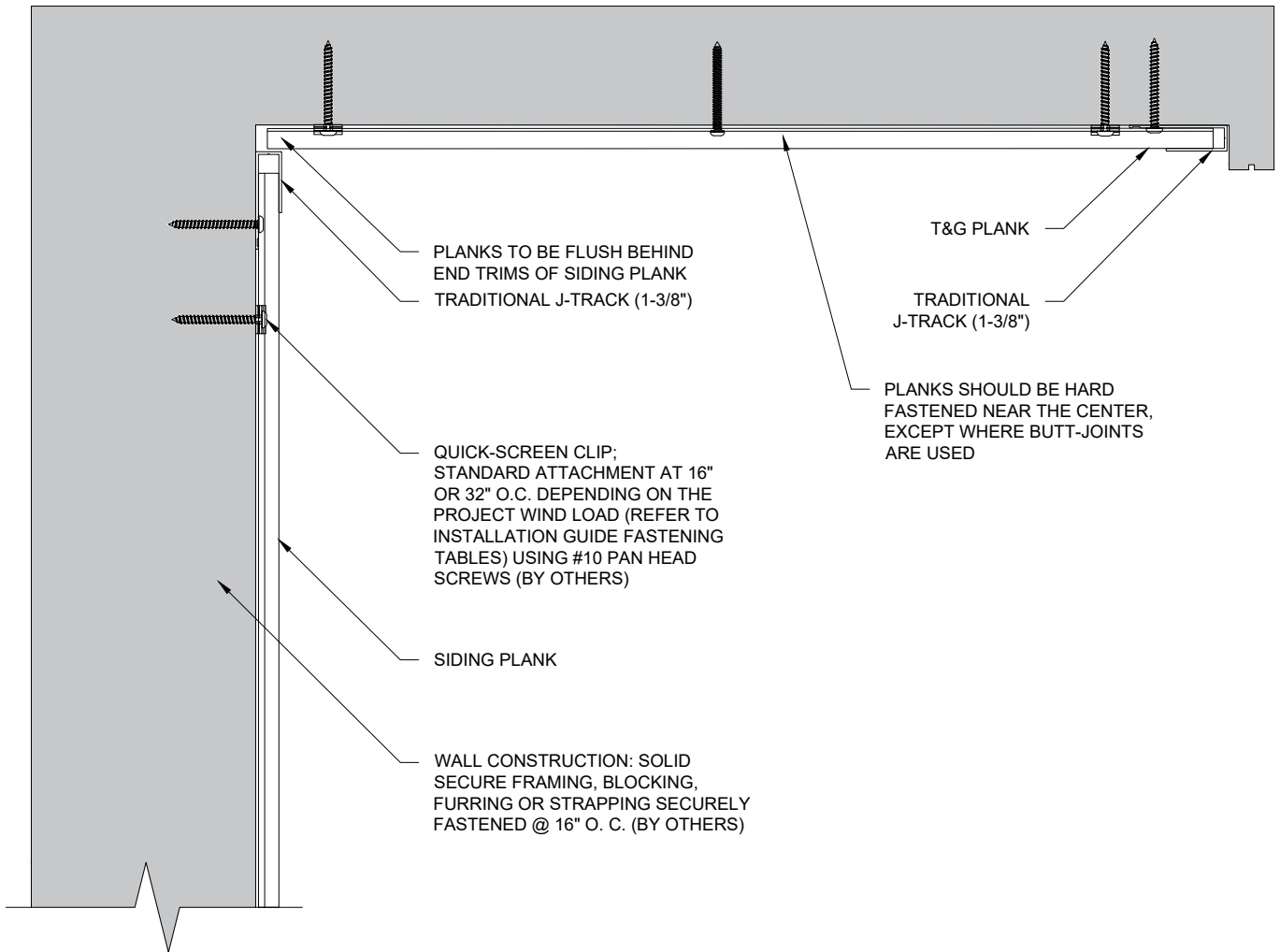
PLAN VIEW

These drawings are published as an information guide only. These CAD drawings are intended as templates to assist the designer, they do not contain the full detail required for construction and must be read in conjunction with the installation instructions on www.longboardproducts.com. You should obtain architectural, engineering or other technical advice to assess the suitability of these drawings to the requirements of your particular project. Longboard Architectural Products accepts no liability in respect to the use of these drawings. For complete installation instructions refer to the appropriate documentation here www.longboardproducts.com/resources/technical-documentation/installation-guides

BOARD & BATTEN PLANK TO LAP PLANK TRANSITION DETAIL

SCALE 1:4



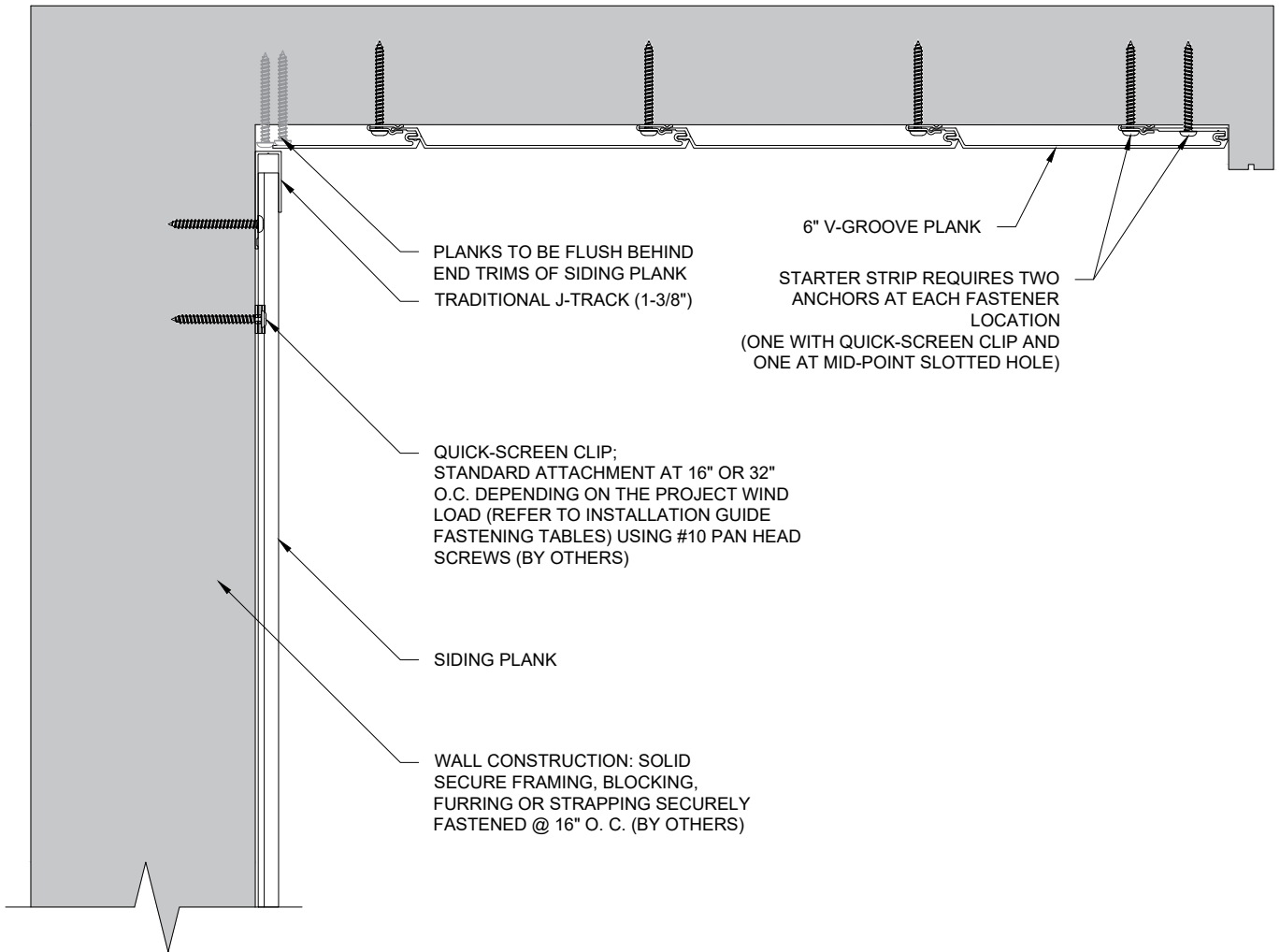


SECTION VIEW

These drawings are published as an information guide only. These CAD drawings are intended as templates to assist the designer, they do not contain the full detail required for construction and must be read in conjunction with the installation instructions on www.longboardproducts.com. You should obtain architectural, engineering or other technical advice to assess the suitability of these drawings to the requirements of your particular project. Longboard Architectural Products accepts no liability in respect to the use of these drawings. For complete installation instructions refer to the appropriate documentation here www.longboardproducts.com/resources/technical-documentation/installation-guides

BOARD & BATTEN PLANK TO
PERPENDICULAR SOFFIT
TRANSITION DETAIL
SCALE 1:4





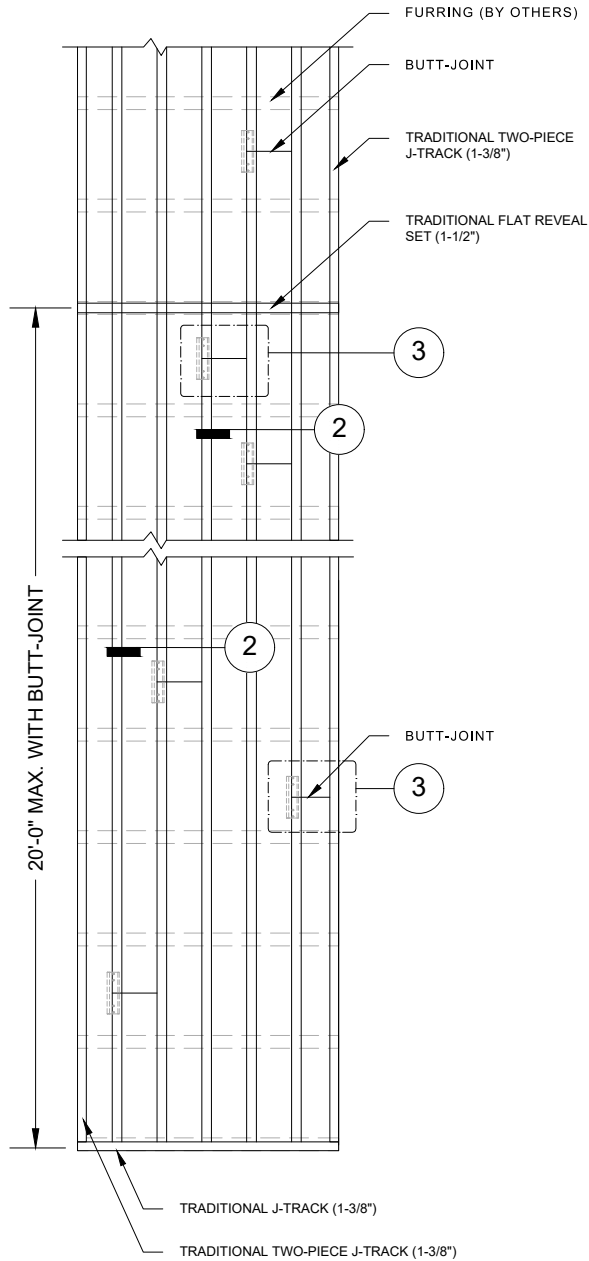
SECTION VIEW

These drawings are published as an information guide only. These CAD drawings are intended as templates to assist the designer, they do not contain the full detail required for construction and must be read in conjunction with the installation instructions on www.longboardproducts.com. You should obtain architectural, engineering or other technical advice to assess the suitability of these drawings to the requirements of your particular project. Longboard Architectural Products accepts no liability in respect to the use of these drawings. For complete installation instructions refer to the appropriate documentation here www.longboardproducts.com/resources/technical-documentation/installation-guides

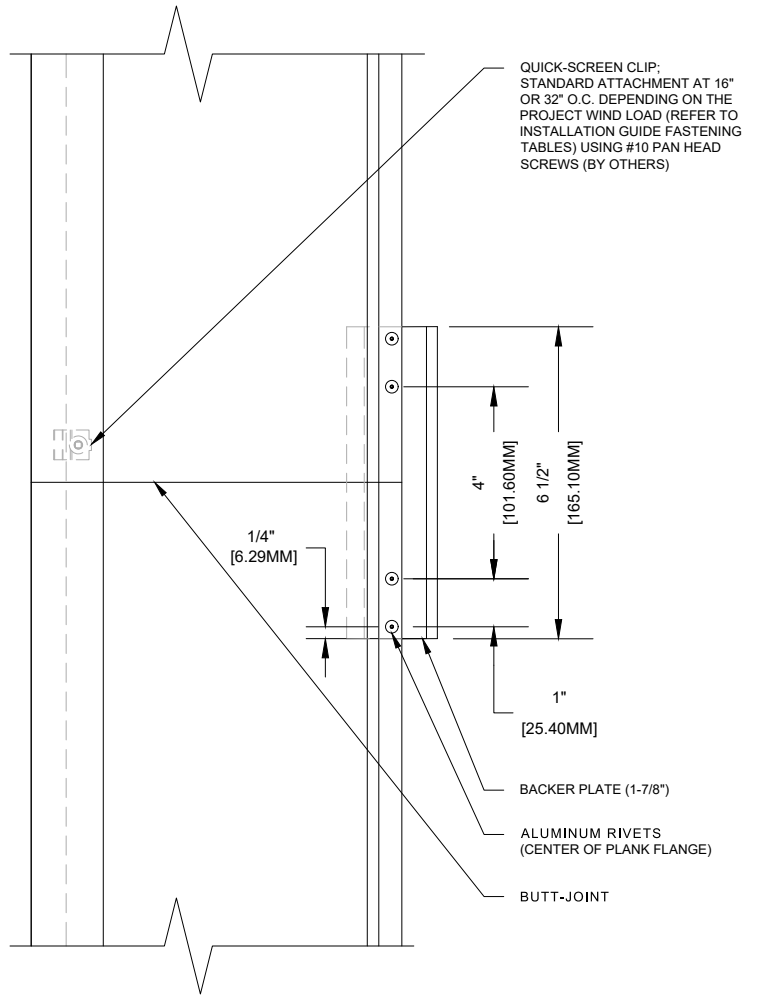
BOARD & BATTEN PLANK TO PARALLEL SOFFIT TRANSITION DETAIL

SCALE 1:4

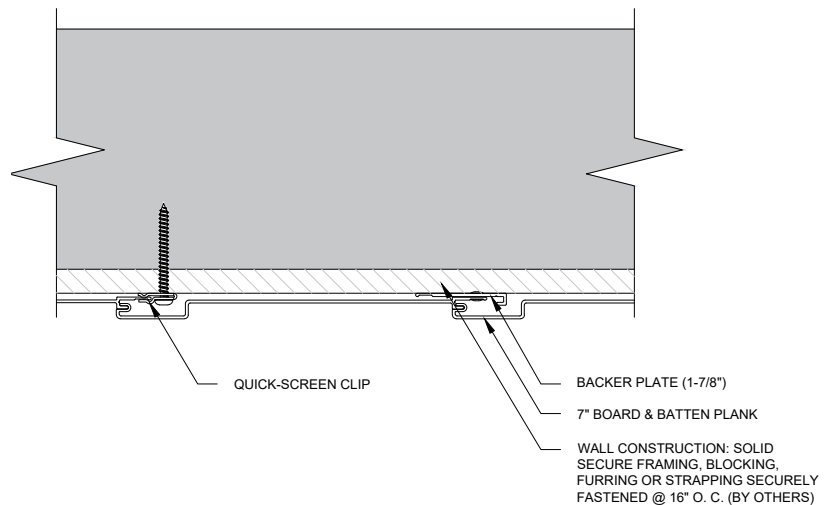




1 ELEVATION
SCALE 1:30



3 ENLARGED ELEVATION @ BUTT-JOINT
SCALE 1:4



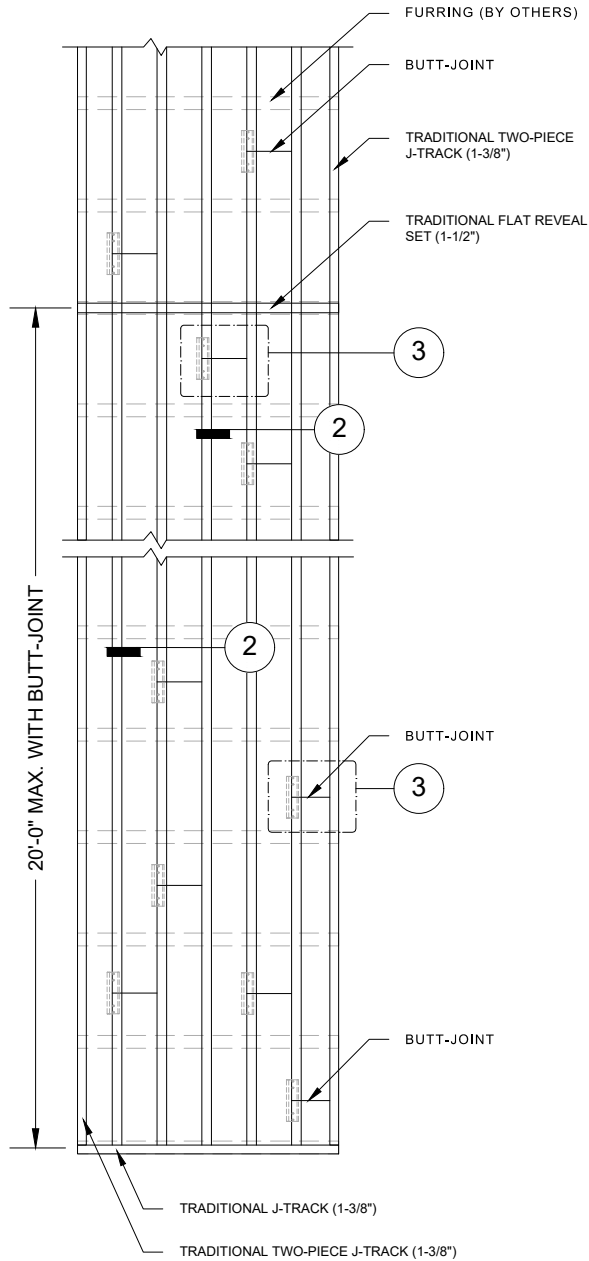
2 PLAN
SCALE 1:4

These drawings are published as an information guide only. These CAD drawings are intended as templates to assist the designer, they do not contain the full detail required for construction and must be read in conjunction with the installation instructions on www.longboardproducts.com. You should obtain architectural, engineering or other technical advice to assess the suitability of these drawings to the requirements of your particular project. Longboard Architectural Products accepts no liability in respect to the use of these drawings. For complete installation instructions refer to the appropriate documentation here www.longboardproducts.com/resources/technical-documentation/installation-guides

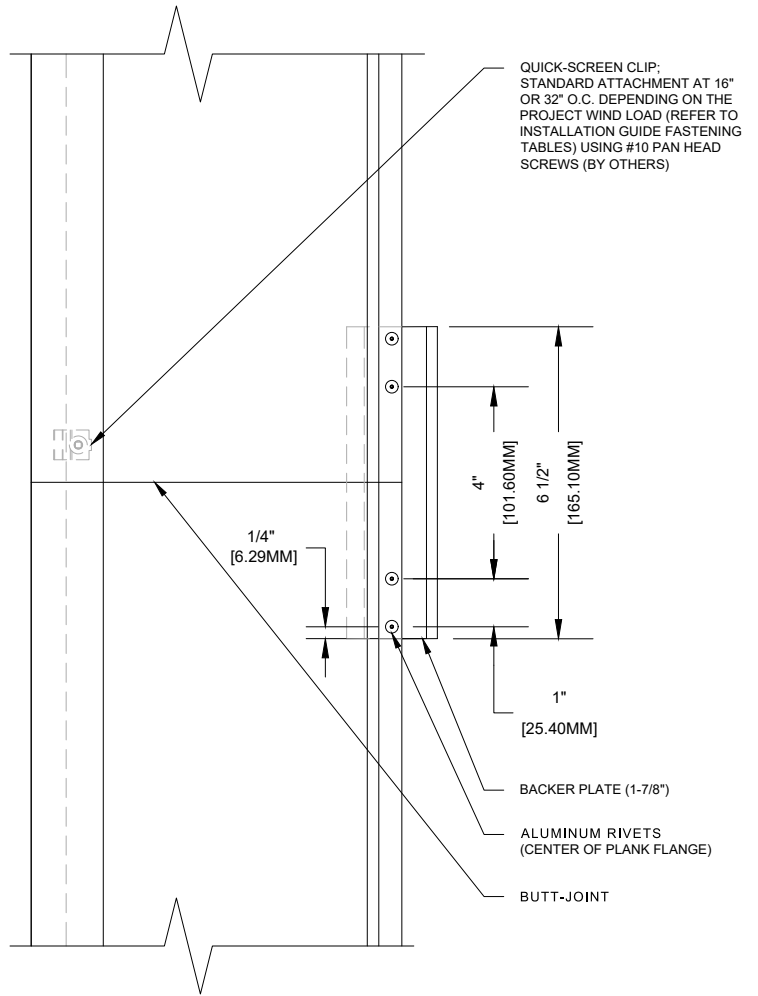
SINGLE BUTT-JOINT DETAIL BOARD & BATTEN PLANK

SCALE: AS INDICATED

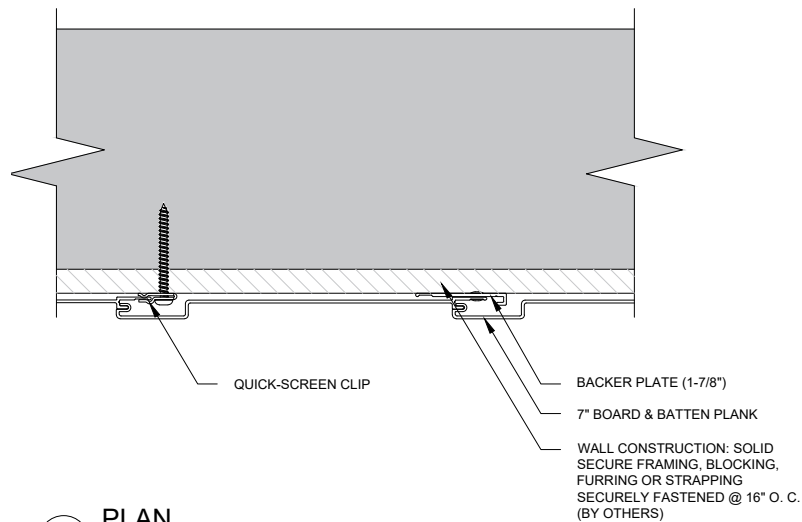




1 ELEVATION
SCALE 1:30



3 ENLARGED ELEVATION @ BUTT-JOINT
SCALE 1:4



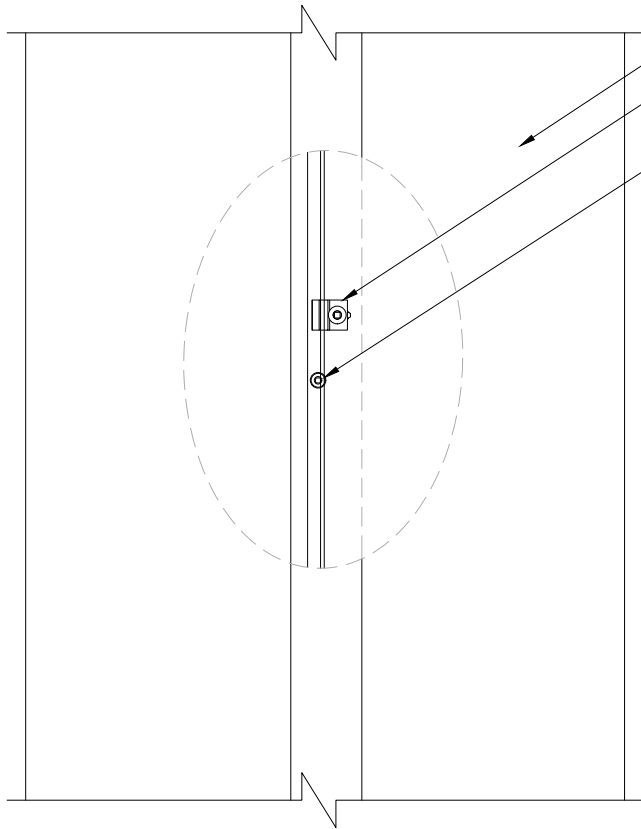
2 PLAN
SCALE 1:4

These drawings are published as an information guide only. These CAD drawings are intended as templates to assist the designer, they do not contain the full detail required for construction and must be read in conjunction with the installation instructions on www.longboardproducts.com. You should obtain architectural, engineering or other technical advice to assess the suitability of these drawings to the requirements of your particular project. Longboard Architectural Products accepts no liability in respect to the use of these drawings. For complete installation instructions refer to the appropriate documentation here www.longboardproducts.com/resources/technical-documentation/installation-guides

MULTIPLE BUTT-JOINT DETAIL BOARD & BATTEN PLANK

SCALE: AS INDICATED

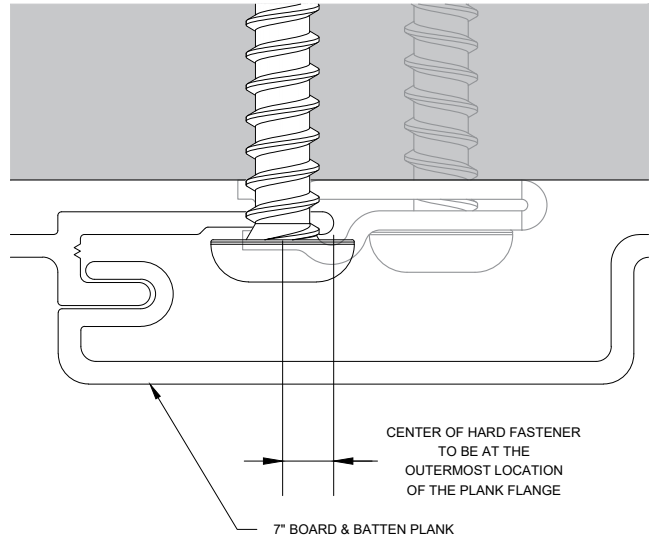




SIDING PLANK

QUICK-SCREEN CLIP

PLANKS SHOULD BE HARD FASTENED NEAR THE CENTER, EXCEPT WHERE BUTT-JOINTS ARE USED (SEE BUTT-JOINT DETAIL FOR MORE INFORMATION)

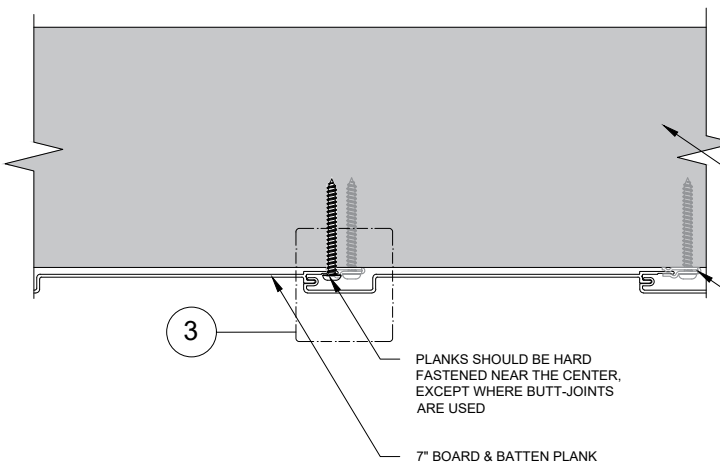


CENTER OF HARD FASTENER TO BE AT THE OUTERMOST LOCATION OF THE PLANK FLANGE

7" BOARD & BATTEN PLANK

2 ELEVATION
SCALE 1:4

3 ENLARGED DETAIL
SCALE 2:1



WALL CONSTRUCTION: SOLID SECURE FRAMING, BLOCKING, FURRING OR STRAPPING SECURELY FASTENED @ 16" O.C. (BY OTHERS)

QUICK SCREEN CLIP STANDARD ATTACHMENT AT 16" OR 32" O.C. DEPENDING ON THE PROJECT WIND LOAD (REFER TO INSTALLATION GUIDE FASTENING TABLES) USING #10 PAN HEAD SCREWS (BY OTHERS)

PLANKS SHOULD BE HARD FASTENED NEAR THE CENTER, EXCEPT WHERE BUTT-JOINTS ARE USED

7" BOARD & BATTEN PLANK

1 PLAN
SCALE 1:4

These drawings are published as an information guide only. These CAD drawings are intended as templates to assist the designer, they do not contain the full detail required for construction and must be read in conjunction with the installation instructions on www.longboardproducts.com. You should obtain architectural, engineering or other technical advice to assess the suitability of these drawings to the requirements of your particular project. Longboard Architectural Products accepts no liability in respect to the use of these drawings. For complete installation instructions refer to the appropriate documentation here www.longboardproducts.com/resources/technical-documentation/installation-guides

HARD FASTENING DETAIL BOARD & BATTEN PLANK

SCALE: AS INDICATED

