

SIDING PROFILES

TABLE OF CONTENT

(Click on the drawing name below to be directed to the right profile)

[6" LAP PLANK](#)

[7" BOARD & BATTEN PLANK](#)

[BOARD & BATTEN BACK-TO-BACK STARTER](#)

[TRADITIONAL STARTER STRIP \(1-7/8"\)](#)

[TRADITIONAL CORNER SET \(2"\)](#)

[TRADITIONAL FLAT REVEAL SET \(1-1/2"\)](#)

[TRADITIONAL U-REVEAL SET \(1-1/2"\)](#)

[TRADITIONAL OFFSET FLAT REVEAL SET, J-TRACK BASE \(2"\)](#)

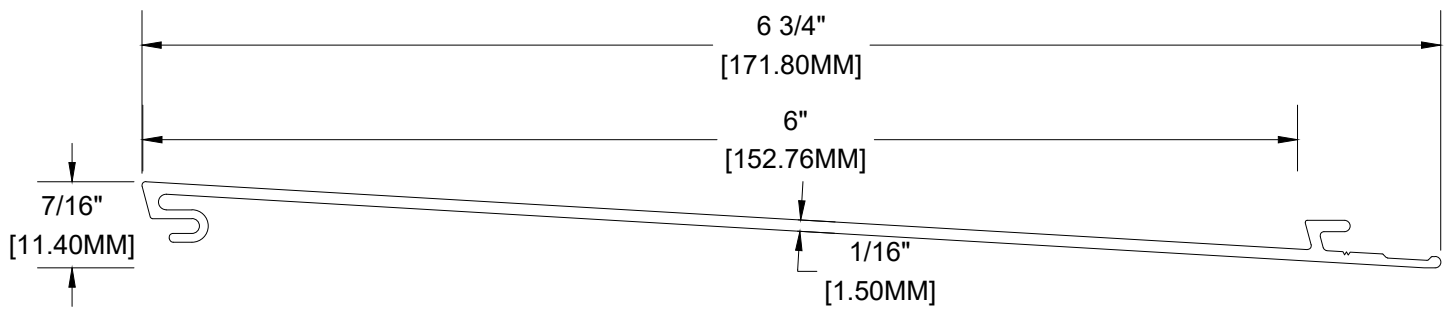
[TRADITIONAL COMPRESSION JOINT \(1-3/8"\)](#)

[TRADITIONAL J-TRACK \(1-3/8"\)](#)

[TRADITIONAL TWO-PIECE J-TRACK \(1-3/8"\)](#)

[QUICK SCREEN CLIP](#)

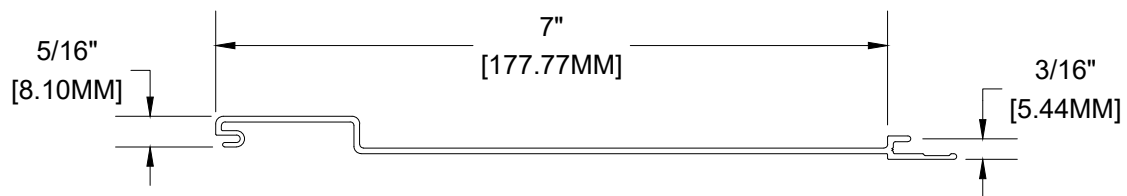
[T&G BUTT-JOINT FASTENING KIT](#)



These drawings are published as an information guide only. These CAD drawings are intended as templates to assist the designer, they do not contain the full detail required for construction and must be read in conjunction with the installation instructions on www.longboardproducts.com. You should obtain architectural, engineering or other technical advice to assess the suitability of these drawings to the requirements of your particular project. Longboard Architectural Products accepts no liability in respect to the use of these drawings. For complete installation instructions refer to the appropriate documentation here www.longboardproducts.com/resources/technical-documentation/installation-guides

6" LAP PLANK
ALUMINUM ALLOY: 6063-T5
WEIGHT: 0.519 LBS/LF
SCALE 1:1

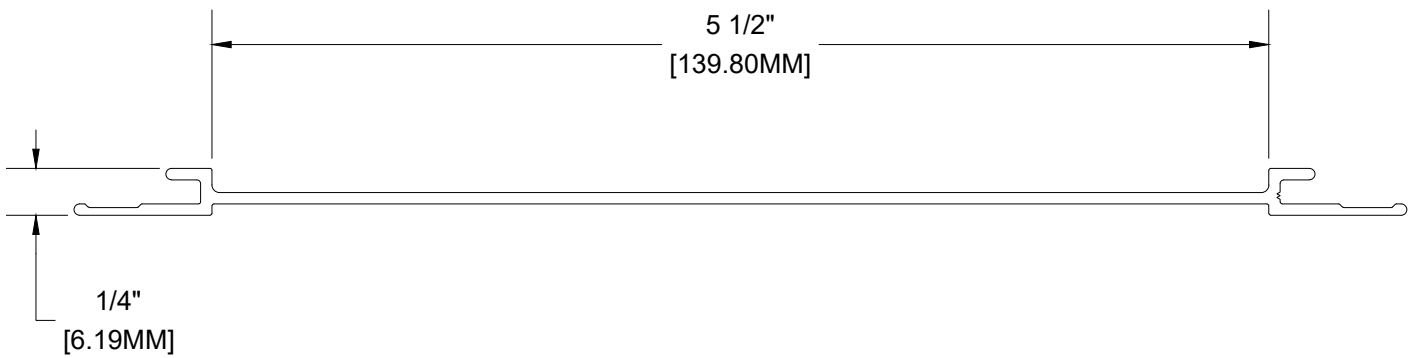




These drawings are published as an information guide only. These CAD drawings are intended as templates to assist the designer, they do not contain the full detail required for construction and must be read in conjunction with the installation instructions on www.longboardproducts.com. You should obtain architectural, engineering or other technical advice to assess the suitability of these drawings to the requirements of your particular project. Longboard Architectural Products accepts no liability in respect to the use of these drawings. For complete installation instructions refer to the appropriate documentation here www.longboardproducts.com/resources/technical-documentation/installation-guides

7" BOARD & BATTEN PLANK
ALUMINUM ALLOY: 6063-T5
WEIGHT: 0.60 LBS/LF
SCALE 1:2



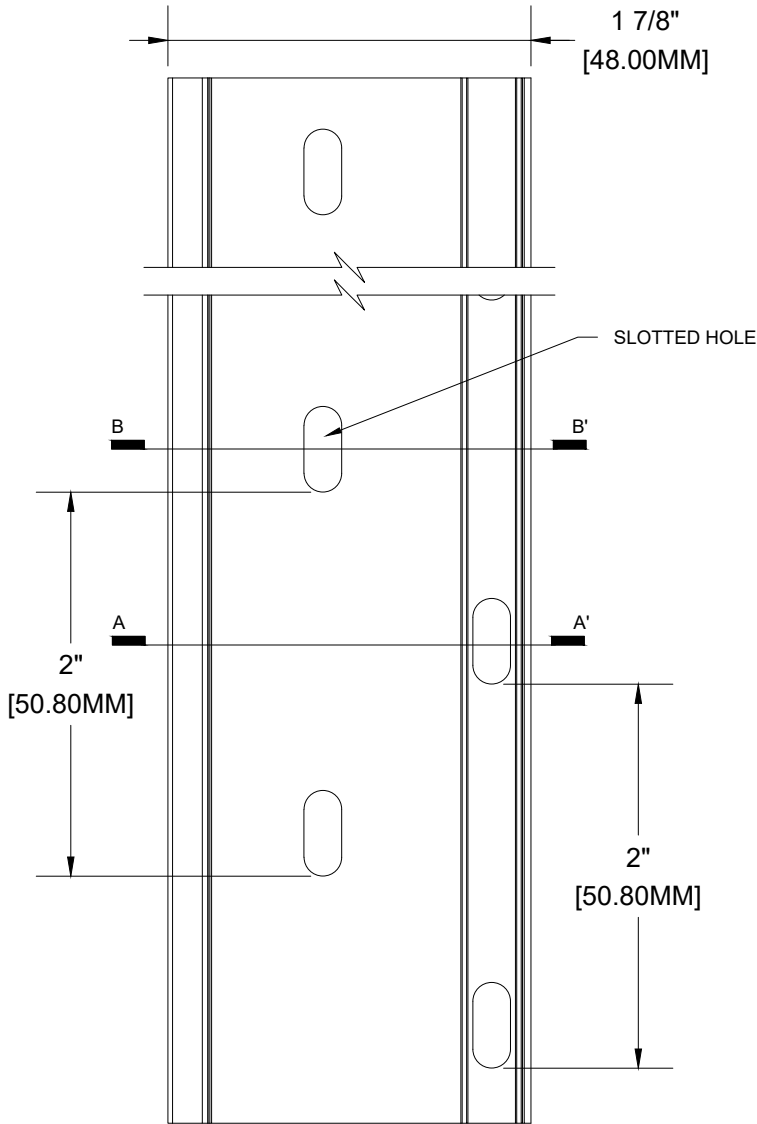


These drawings are published as an information guide only. These CAD drawings are intended as templates to assist the designer, they do not contain the full detail required for construction and must be read in conjunction with the installation instructions on www.longboardproducts.com. You should obtain architectural, engineering or other technical advice to assess the suitability of these drawings to the requirements of your particular project. Longboard Architectural Products accepts no liability in respect to the use of these drawings. For complete installation instructions refer to the appropriate documentation here www.longboardproducts.com/resources/technical-documentation/installation-guides

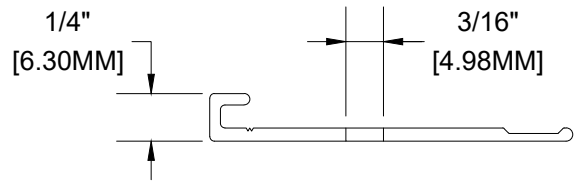
**BOARD & BATTEN BACK-TO-BACK
STARTER**
ALUMINUM ALLOY: 6063-T5
WEIGHT: 0.52 LBS/LF
SCALE 1:1



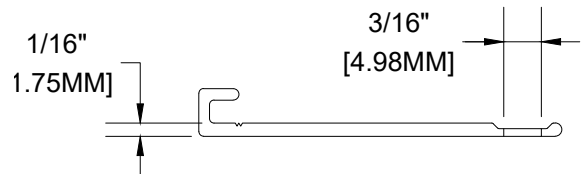
ISSUE DATE: 2025-02-13



ELEVATION



SECTION B-B'



SECTION A-A'

These drawings are published as an information guide only. These CAD drawings are intended as templates to assist the designer, they do not contain the full detail required for construction and must be read in conjunction with the installation instructions on www.longboardproducts.com. You should obtain architectural, engineering or other technical advice to assess the suitability of these drawings to the requirements of your particular project. Longboard Architectural Products accepts no liability in respect to the use of these drawings. For complete installation instructions refer to the appropriate documentation here www.longboardproducts.com/resources/technical-documentation/installation-guides

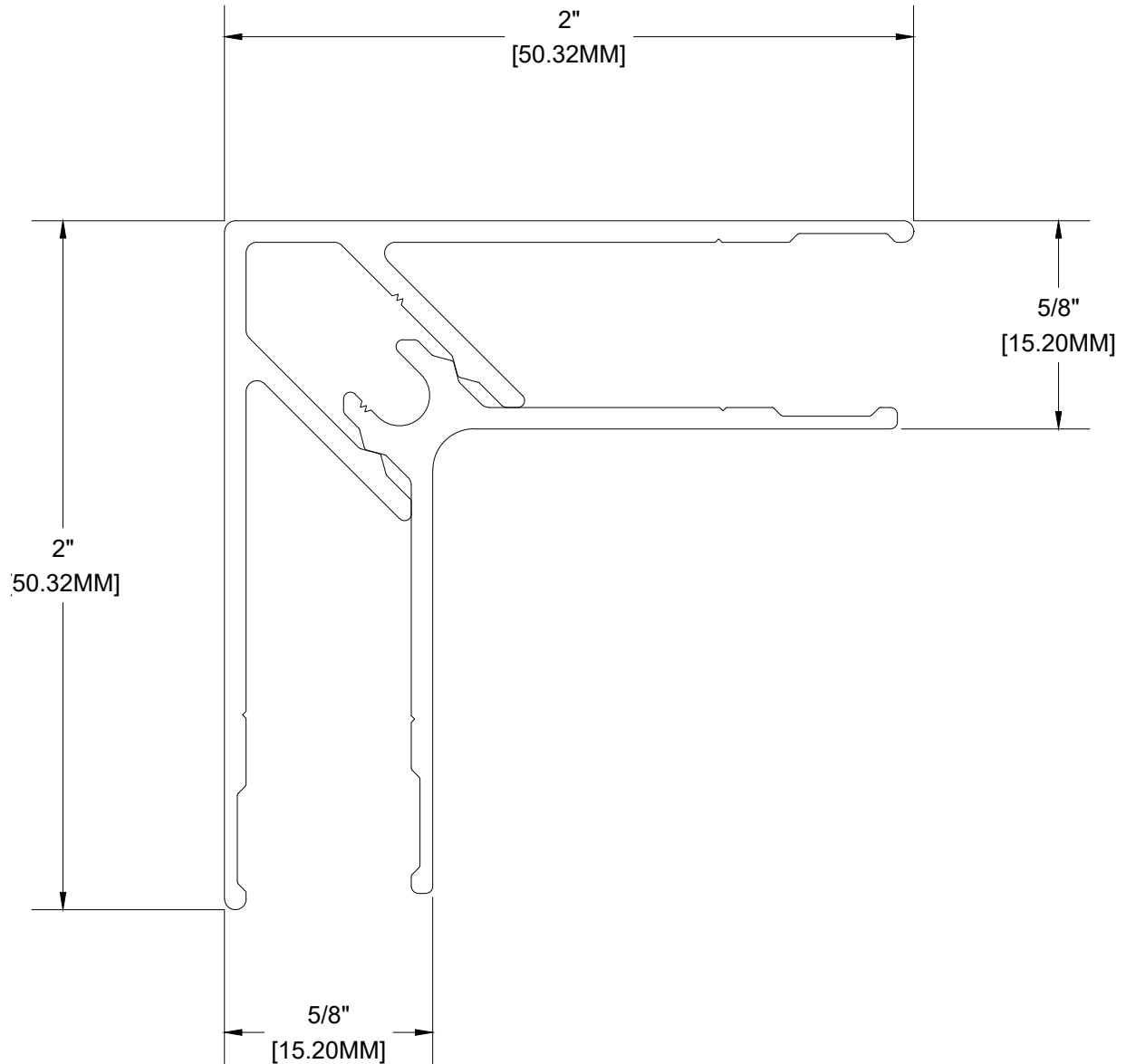
TRADITIONAL STARTER STRIP (1-7/8")

ALUMINUM ALLOY: 6063-T5

WEIGHT: 0.167 LBS/ LF

SCALE 1:1





These drawings are published as an information guide only. These CAD drawings are intended as templates to assist the designer, they do not contain the full detail required for construction and must be read in conjunction with the installation instructions on www.longboardproducts.com. You should obtain architectural, engineering or other technical advice to assess the suitability of these drawings to the requirements of your particular project. Longboard Architectural Products accepts no liability in respect to the use of these drawings. For complete installation instructions refer to the appropriate documentation here www.longboardproducts.com/resources/technical-documentation/installation-guides

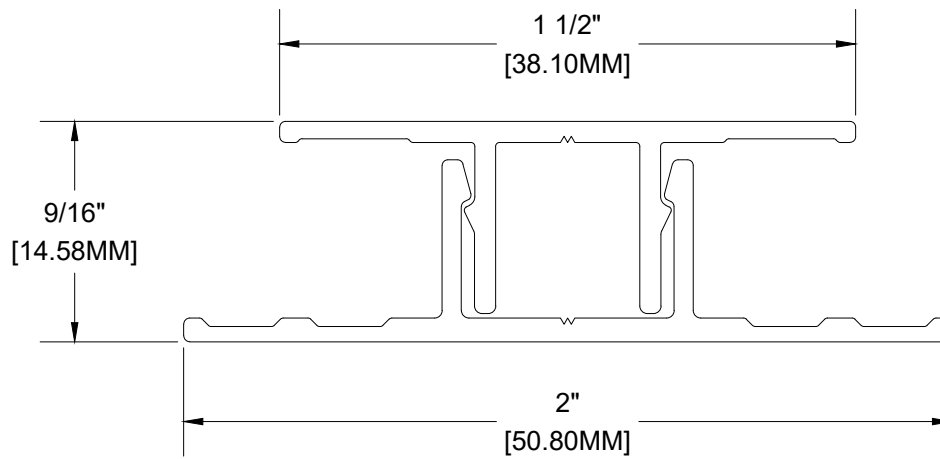
TRADITIONAL CORNER SET (2")

ALUMINUM ALLOY: 6063-T5

WEIGHT: 0.600 LBS/ LF

SCALE: 2:1





These drawings are published as an information guide only. These CAD drawings are intended as templates to assist the designer, they do not contain the full detail required for construction and must be read in conjunction with the installation instructions on www.longboardproducts.com. You should obtain architectural, engineering or other technical advice to assess the suitability of these drawings to the requirements of your particular project. Longboard Architectural Products accepts no liability in respect to the use of these drawings. For complete installation instructions refer to the appropriate documentation here www.longboardproducts.com/resources/technical-documentation/installation-guides

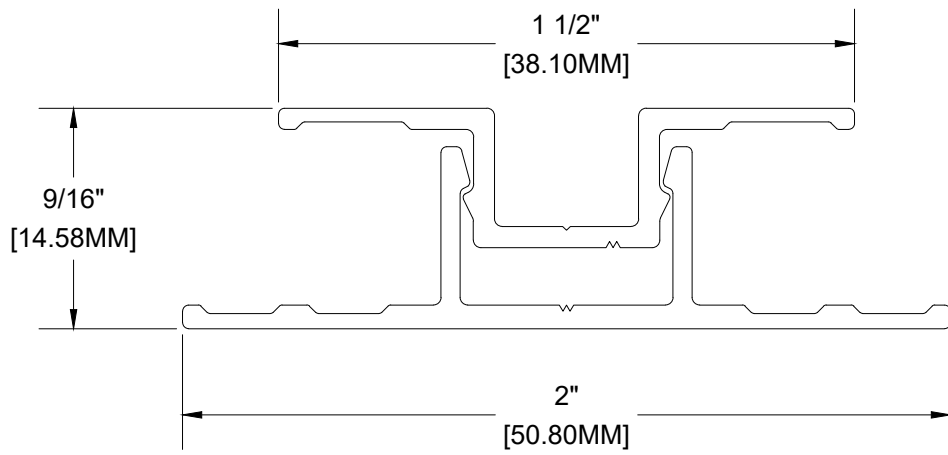
TRADITIONAL FLAT REVEAL SET (1-1/2")

ALUMINUM ALLOY: 6063-T5

WEIGHT: 0.325 LBS/ LF

SCALE: 2:1





These drawings are published as an information guide only. These CAD drawings are intended as templates to assist the designer, they do not contain the full detail required for construction and must be read in conjunction with the installation instructions on www.longboardproducts.com. You should obtain architectural, engineering or other technical advice to assess the suitability of these drawings to the requirements of your particular project. Longboard Architectural Products accepts no liability in respect to the use of these drawings. For complete installation instructions refer to the appropriate documentation here www.longboardproducts.com/resources/technical-documentation/installation-guides

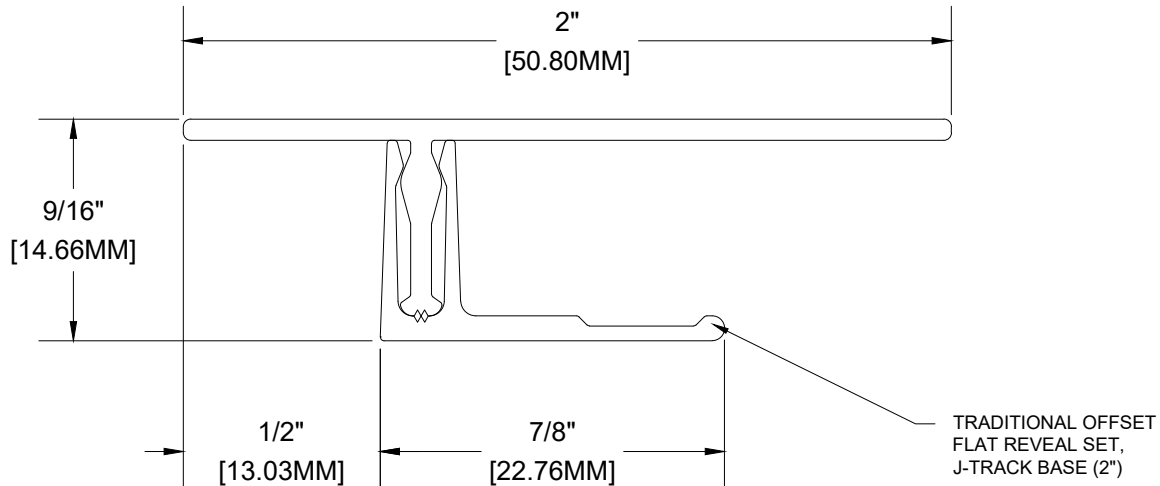
TRADITIONAL U-REVEAL SET (1-1/2")

ALUMINUM ALLOY: 6063-T5

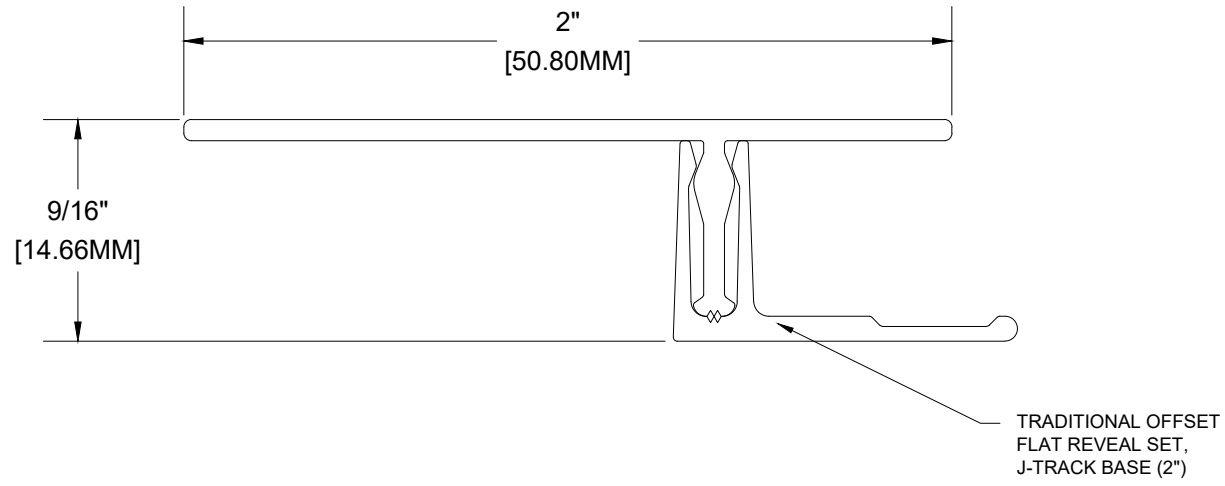
WEIGHT: 0.303 LBS/ LF

SCALE: 2:1





TYPICAL INSTALL

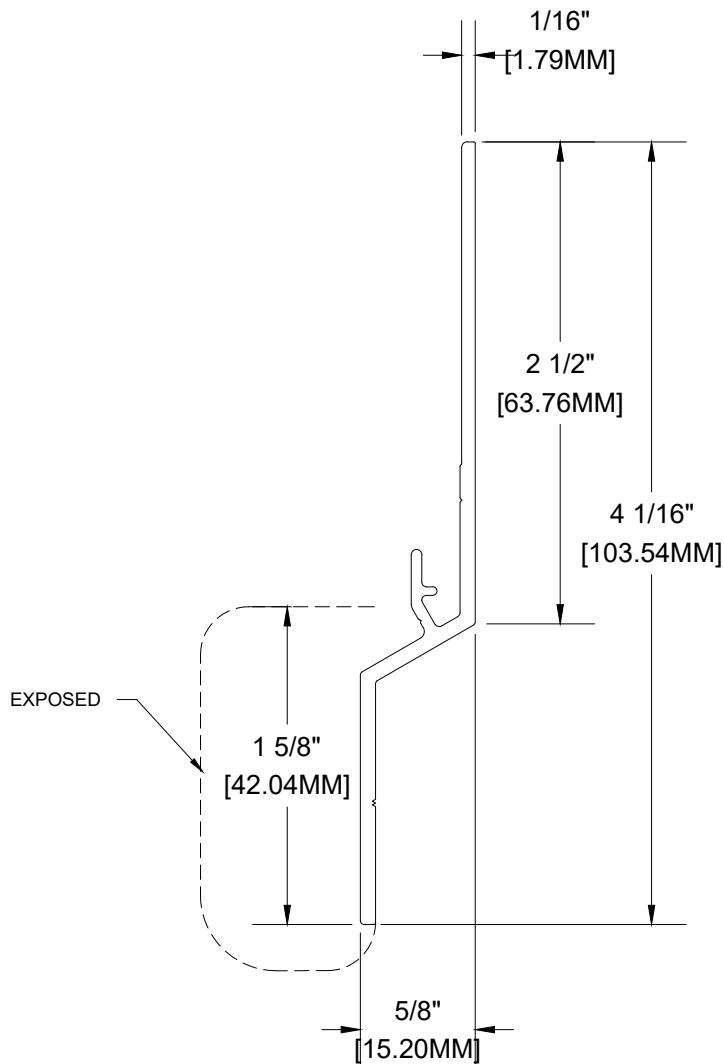


INVERTED INSTALL

These drawings are published as an information guide only. These CAD drawings are intended as templates to assist the designer, they do not contain the full detail required for construction and must be read in conjunction with the installation instructions on www.longboardproducts.com. You should obtain architectural, engineering or other technical advice to assess the suitability of these drawings to the requirements of your particular project. Longboard Architectural Products accepts no liability in respect to the use of these drawings. For complete installation instructions refer to the appropriate documentation here www.longboardproducts.com/resources/technical-documentation/installation-guides

**TRADITIONAL OFFSET FLAT REVEAL SET,
J-TRACK BASE (2")**
ALUMINUM ALLOY: 6063-T5
WEIGHT: 0.276 LBS/ LF
SCALE: 2:1





These drawings are published as an information guide only. These CAD drawings are intended as templates to assist the designer, they do not contain the full detail required for construction and must be read in conjunction with the installation instructions on www.longboardproducts.com. You should obtain architectural, engineering or other technical advice to assess the suitability of these drawings to the requirements of your particular project. Longboard Architectural Products accepts no liability in respect to the use of these drawings. For complete installation instructions refer to the appropriate documentation here www.longboardproducts.com/resources/technical-documentation/installation-guides

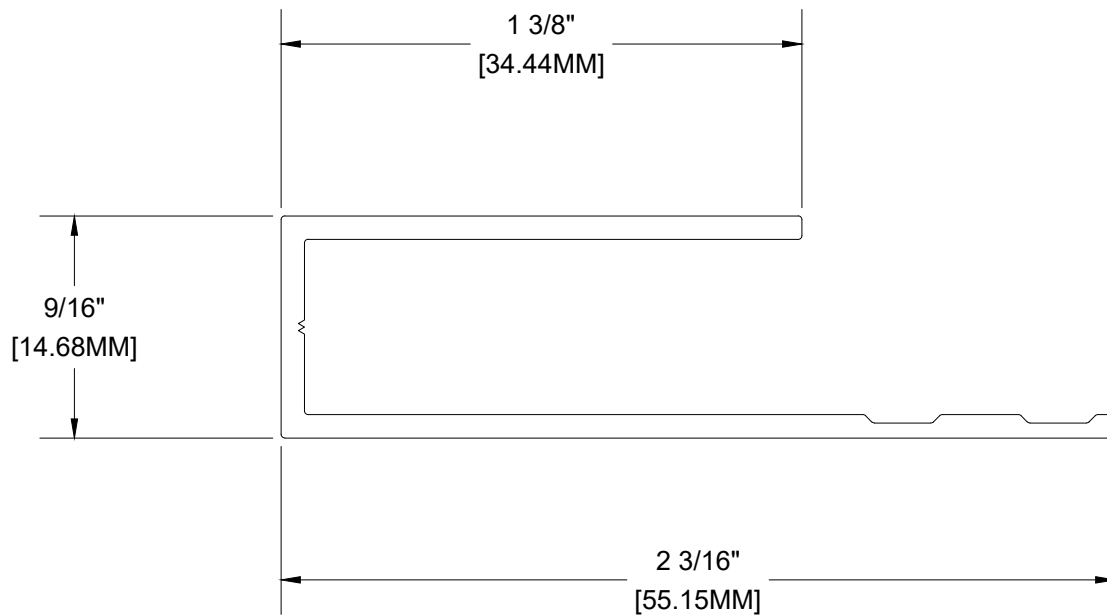
TRADITIONAL COMPRESSION JOINT (1-3/8")

ALUMINUM ALLOY: 6063-T5

WEIGHT: 0.418 LBS/ LF

SCALE: 1:1

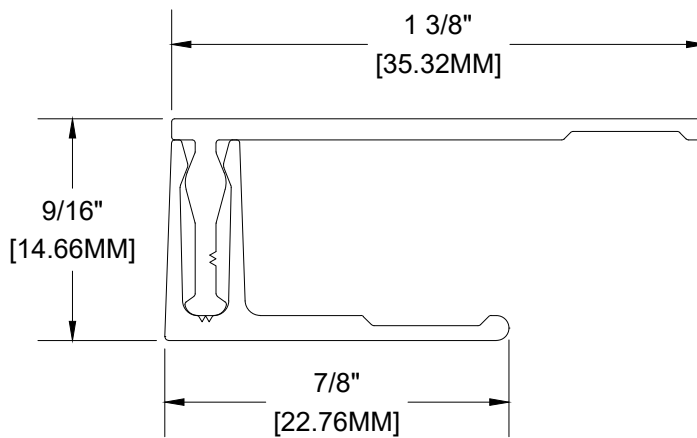




These drawings are published as an information guide only. These CAD drawings are intended as templates to assist the designer, they do not contain the full detail required for construction and must be read in conjunction with the installation instructions on www.longboardproducts.com. You should obtain architectural, engineering or other technical advice to assess the suitability of these drawings to the requirements of your particular project. Longboard Architectural Products accepts no liability in respect to the use of these drawings. For complete installation instructions refer to the appropriate documentation here www.longboardproducts.com/resources/technical-documentation/installation-guides

TRADITIONAL J-TRACK (1-3/8")
ALUMINUM ALLOY: 6063-T5
WEIGHT: 0.282 LBS/ LF
SCALE: 2:1

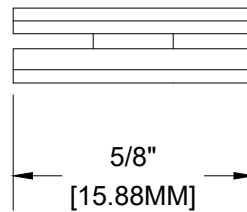
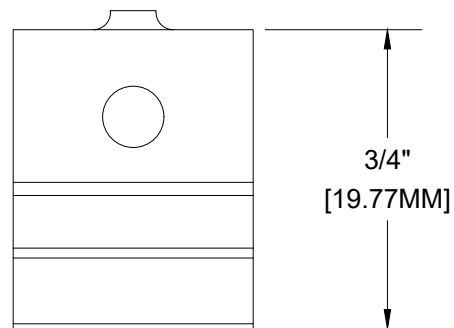
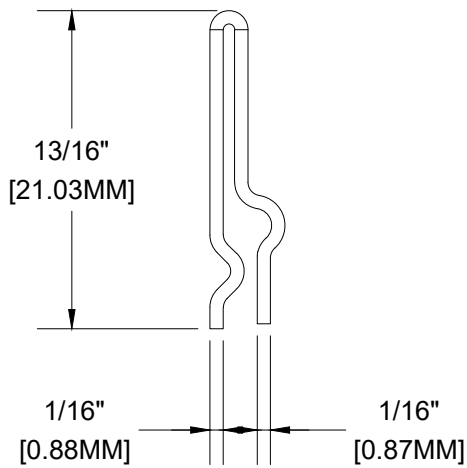




These drawings are published as an information guide only. These CAD drawings are intended as templates to assist the designer, they do not contain the full detail required for construction and must be read in conjunction with the installation instructions on www.longboardproducts.com. You should obtain architectural, engineering or other technical advice to assess the suitability of these drawings to the requirements of your particular project. Longboard Architectural Products accepts no liability in respect to the use of these drawings. For complete installation instructions refer to the appropriate documentation here www.longboardproducts.com/resources/technical-documentation/installation-guides

TRADITIONAL TWO PIECE J-TRACK (1-3/8")
ALUMINUM ALLOY: 6063-T5
WEIGHT: 0.276 LBS/ LF
SCALE: 2:1

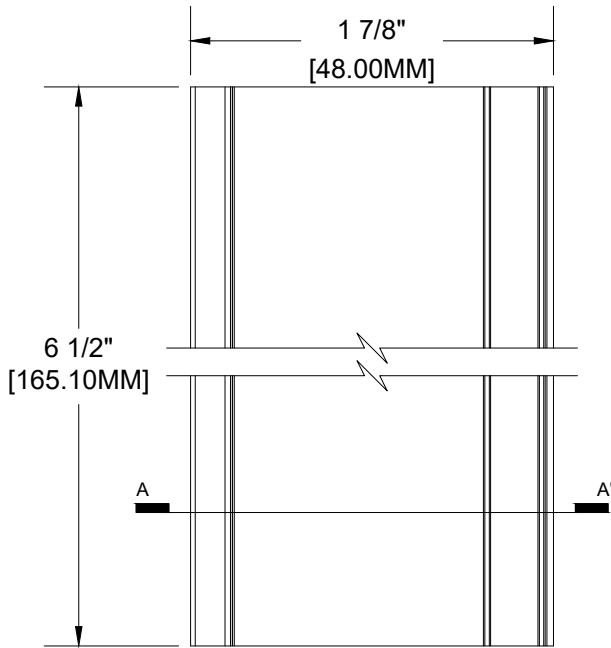




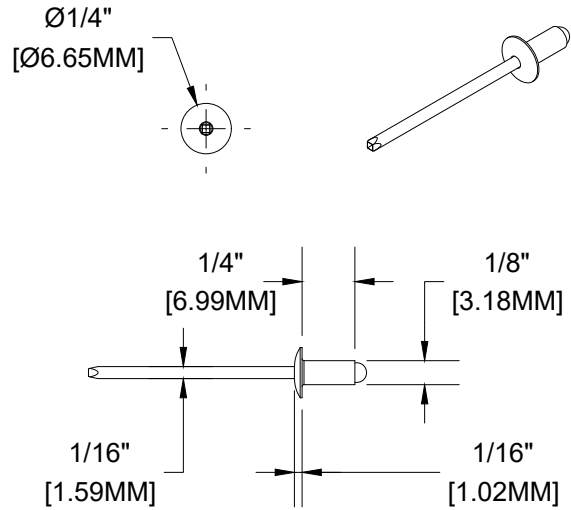
These drawings are published as an information guide only. These CAD drawings are intended as templates to assist the designer, they do not contain the full detail required for construction and must be read in conjunction with the installation instructions on www.longboardproducts.com. You should obtain architectural, engineering or other technical advice to assess the suitability of these drawings to the requirements of your particular project. Longboard Architectural Products accepts no liability in respect to the use of these drawings. For complete installation instructions refer to the appropriate documentation here www.longboardproducts.com/resources/technical-documentation/installation-guides

QUICK SCREEN CLIP
STAINLESS STEEL: 316
WEIGHT: 0.013 LBS
SCALE: 2:1

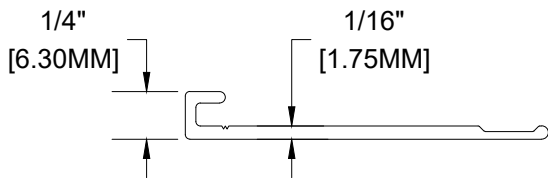




BACKER PLATE - ELEVATION



ALUMINUM RIVET*



BACKER PLATE - SECTION A-A'

* 4 PIECES PER KIT

These drawings are published as an information guide only. These CAD drawings are intended as templates to assist the designer, they do not contain the full detail required for construction and must be read in conjunction with the installation instructions on www.longboardproducts.com. You should obtain architectural, engineering or other technical advice to assess the suitability of these drawings to the requirements of your particular project. Longboard Architectural Products accepts no liability in respect to the use of these drawings. For complete installation instructions refer to the appropriate documentation here www.longboardproducts.com/resources/technical-documentation/installation-guides

T&G BUTT-JOINT FASTENING KIT
BACKER PLATE: 6063-T5 WEIGHT: 0.0887 LBS
ALUMINUM RIVET: 5052 WEIGHT: 0.0008 LBS
SCALE: 1:1

