

## EXTERIOR T&G TYPICAL DRAWINGS

### TABLE OF CONTENT

(Click on the drawing name below to be directed to the right profile)

[BOTTOM OF WALL DETAIL - HORIZONTAL T&G](#)

[BOTTOM OF WALL DETAIL - VERTICAL T&G](#)

[MIDDLE OF WALL DETAIL - HORIZONTAL T&G](#)

[MIDDLE OF WALL DETAIL - VERTICAL T&G](#)

[COMPRESSION JOINT DETAIL - HORIZONTAL T&G](#)

[THROUGH WALL FLASHING DETAIL - VERTICAL T&G](#)

[PARAPET DETAIL - HORIZONTAL T&G](#)

[PARAPET DETAIL - VERTICAL T&G](#)

[TOP OF WALL WITH TWO PIECE J-TRACK DETAIL - HORIZONTAL T&G](#)

[TOP OF WALL WITH TWO PIECE J-TRACK DETAIL - VERTICAL T&G](#)

[OUTSIDE CORNER SET DETAIL - HORIZONTAL T&G](#)

[OUTSIDE CORNER WITH CRAFTSMAN OUTSIDE CORNER DETAIL - HORIZONTAL T&G](#)

[OUTSIDE CORNER SET DETAIL - VERTICAL T&G](#)

[INSIDE CORNER SET DETAIL - HORIZONTAL T&G](#)

[INSIDE CORNER WITH CRAFTSMAN INSIDE CORNER DETAIL - HORIZONTAL T&G](#)

[INSIDE CORNER SET DETAIL - VERTICAL T&G](#)

[TRADITIONAL BACK-TO-BACK STARTER STRIP DETAIL - VERTICAL T&G](#)

[TRADITIONAL FLAT REVEAL SET DETAIL - HORIZONTAL T&G](#)

[WRAP AROUND COLUMN WITH REVEAL SET DETAIL - VERTICAL T&G](#)

[NON 90 DEGREE OUTSIDE CORNER DETAIL - HORIZONTAL T&G](#)

[NON 90 DEGREE OUTSIDE CORNER DETAIL - VERTICAL T&G](#)

[NON 90 DEGREE INSIDE CORNER DETAIL - HORIZONTAL T&G](#)

[NON 90 DEGREE INSIDE CORNER DETAIL - VERTICAL T&G](#)

[CLADDING TO PERPENDICULAR SOFFIT TRANSITION DETAIL - VERTICAL T&G](#)

[CLADDING TO PARALLEL SOFFIT TRANSITION DETAIL - HORIZONTAL T&G](#)

[SINGLE BUTT-JOINT DETAIL - HORIZONTAL T&G](#)

[MULTIPLE BUTT-JOINTS DETAIL - HORIZONTAL T&G](#)

[WINDOW DETAIL - HORIZONTAL T&G](#)

[WINDOW DETAIL - VERTICAL T&G](#)

[HARD FASTENING DETAIL - HORIZONTAL T&G](#)

[PARALLEL SOFFIT WITH OPENING DETAIL - HORIZONTAL T&G](#)

[PERPENDICULAR SOFFIT WITH OPENING DETAIL - VERTICAL T&G](#)

[PARALLEL SOFFIT WITH DRIP EDGE DETAIL - HORIZONTAL T&G](#)

[PERPENDICULAR SOFFIT WITH DRIP EDGE DETAIL - HORIZONTAL T&G](#)

[PARALLEL SOFFIT WITH LIGHT FIXTURE DETAIL - HORIZONTAL T&G](#)

[PERPENDICULAR SOFFIT WITH LIGHT FIXTURE DETAIL - VERTICAL T&G](#)

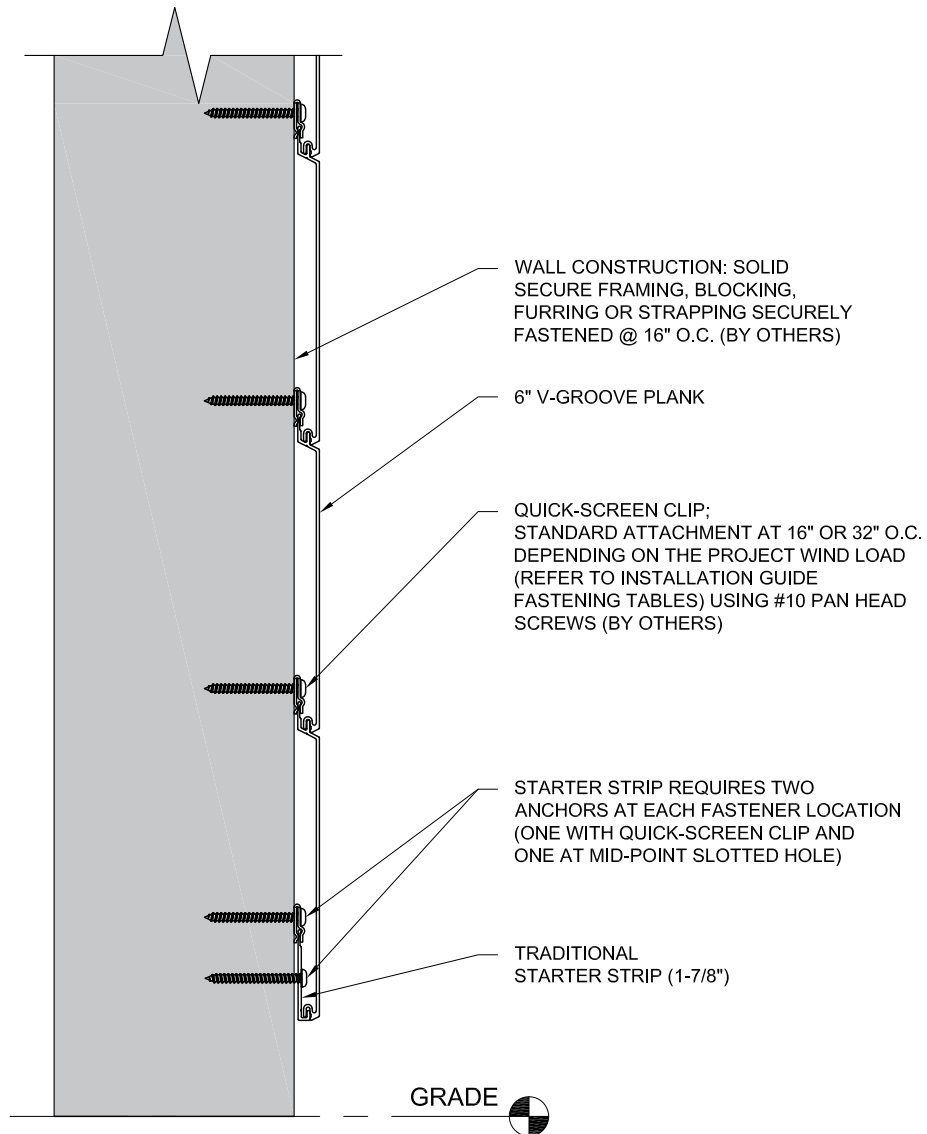
[2.5 IN PERFORATED PLANK PARALLEL SOFFIT DETAIL - T&G](#)

[PARALLEL SOFFIT TO FASCIA TRANSITION DETAIL - T&G](#)

[PERPENDICULAR SOFFIT TO FASCIA TRANSITION DETAIL - T&G](#)

[SOFFIT ACCESS PANEL DETAIL - T&G](#)

[6 IN SMOOTH PLANKS \(PANELBOARD™\) DETAIL - HORIZONTAL T&G](#)



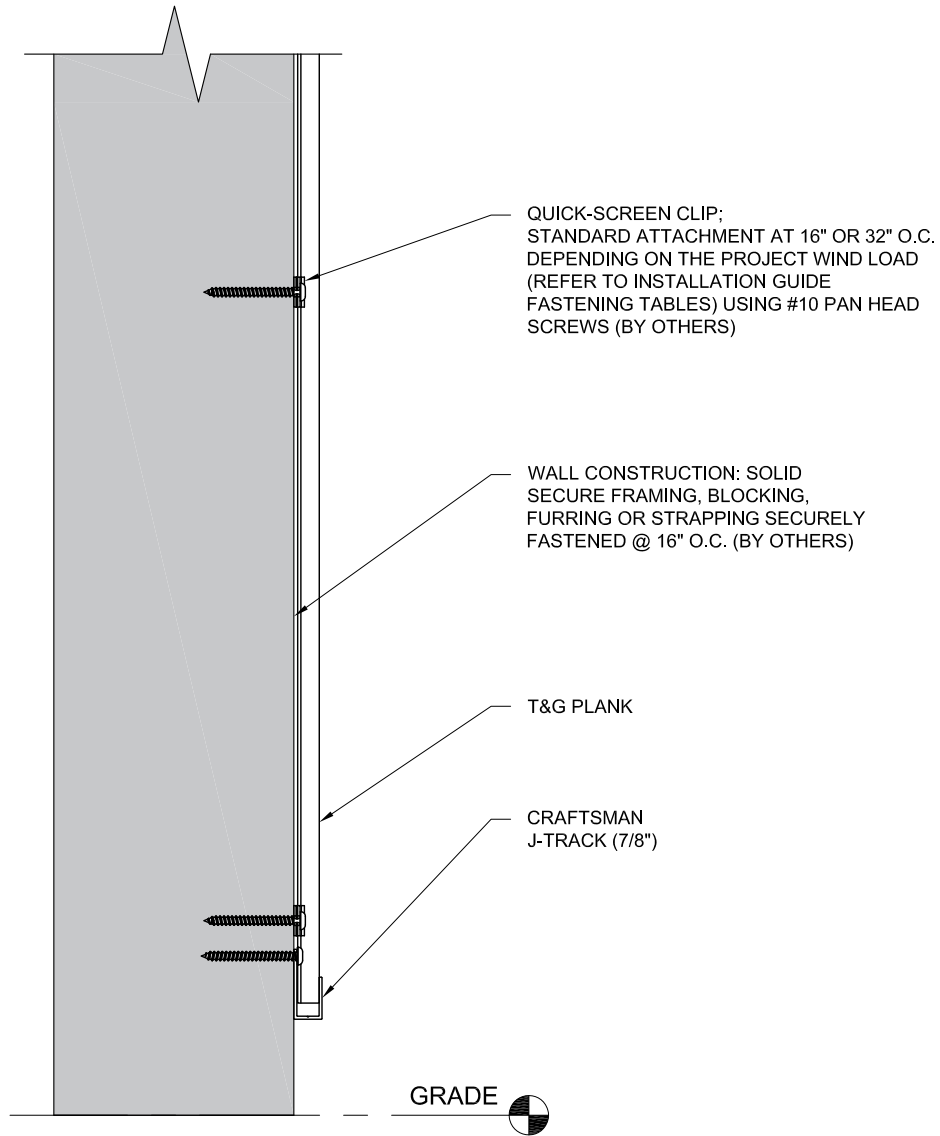
SECTION VIEW

**BOTTOM OF WALL DETAIL  
T&G HORIZONTAL**

SCALE: 1:4

These drawings are published as an information guide only. These CAD drawings are intended as templates to assist the designer, they do not contain the full detail required for construction and must be read in conjunction with the installation instructions on [www.longboardproducts.com](http://www.longboardproducts.com). You should obtain architectural, engineering or other technical advice to assess the suitability of these drawings to the requirements of your particular project. Longboard Architectural Products accepts no liability in respect to the use of these drawings. For complete installation instructions refer to the appropriate documentation here [www.longboardproducts.com/resources/technical-documentation/installation-guides](http://www.longboardproducts.com/resources/technical-documentation/installation-guides)





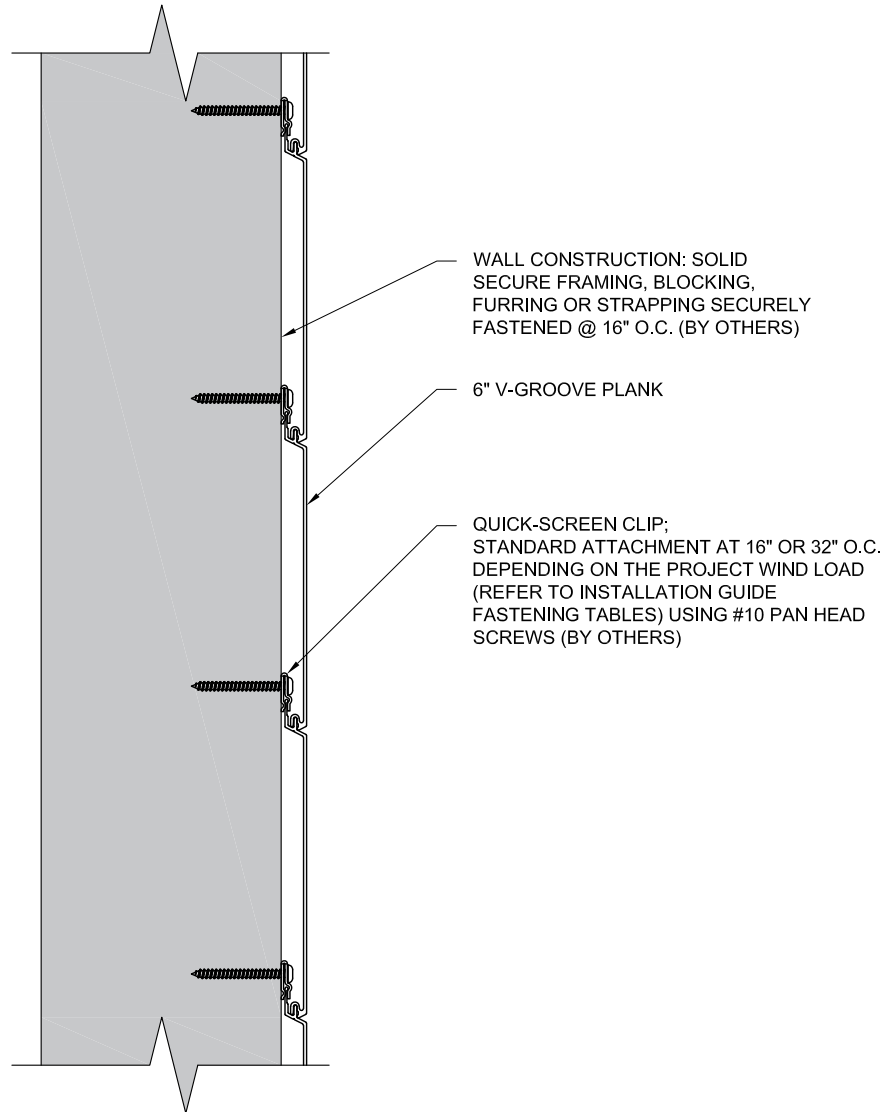
SECTION VIEW

These drawings are published as an information guide only. These CAD drawings are intended as templates to assist the designer, they do not contain the full detail required for construction and must be read in conjunction with the installation instructions on [www.longboardproducts.com](http://www.longboardproducts.com). You should obtain architectural, engineering or other technical advice to assess the suitability of these drawings to the requirements of your particular project. Longboard Architectural Products accepts no liability in respect to the use of these drawings. For complete installation instructions refer to the appropriate documentation here [www.longboardproducts.com/resources/technical-documentation/installation-guides](http://www.longboardproducts.com/resources/technical-documentation/installation-guides)

## BOTTOM OF WALL DETAIL T&G VERTICAL

SCALE: 1:4





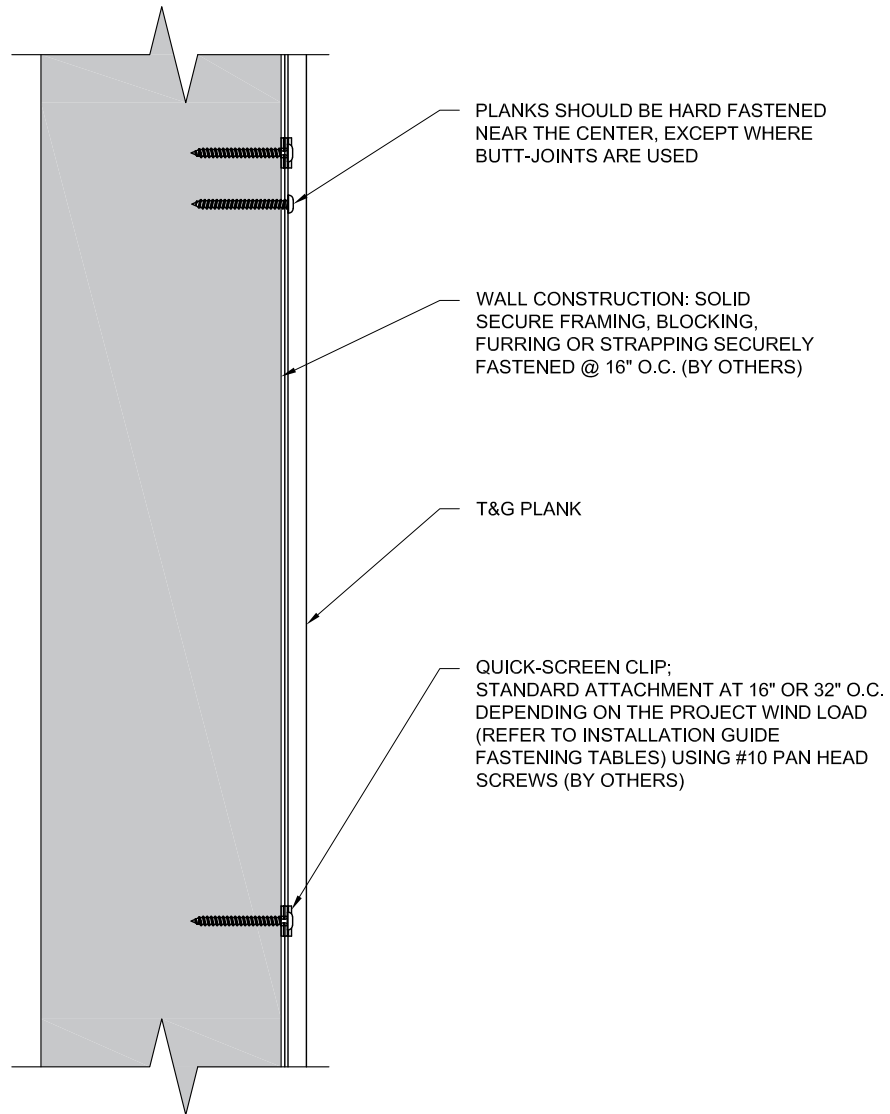
SECTION VIEW

These drawings are published as an information guide only. These CAD drawings are intended as templates to assist the designer, they do not contain the full detail required for construction and must be read in conjunction with the installation instructions on [www.longboardproducts.com](http://www.longboardproducts.com). You should obtain architectural, engineering or other technical advice to assess the suitability of these drawings to the requirements of your particular project. Longboard Architectural Products accepts no liability in respect to the use of these drawings. For complete installation instructions refer to the appropriate documentation here [www.longboardproducts.com/resources/technical-documentation/installation-guides](http://www.longboardproducts.com/resources/technical-documentation/installation-guides)

MIDDLE OF WALL DETAIL  
T&G HORIZONTAL

SCALE: 1:4





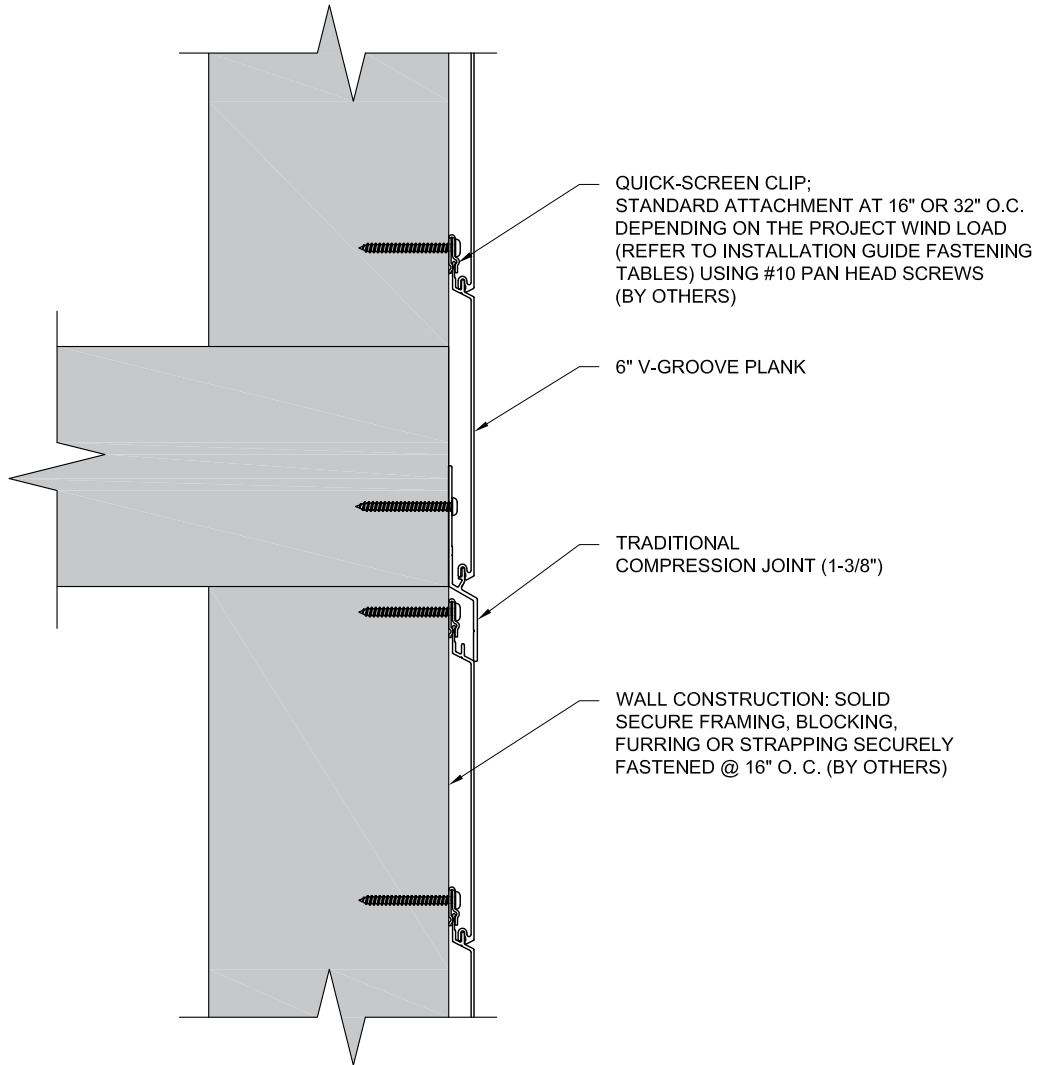
SECTION VIEW

MIDDLE OF WALL DETAIL  
T&G VERTICAL

SCALE: 1:4

These drawings are published as an information guide only. These CAD drawings are intended as templates to assist the designer, they do not contain the full detail required for construction and must be read in conjunction with the installation instructions on [www.longboardproducts.com](http://www.longboardproducts.com). You should obtain architectural, engineering or other technical advice to assess the suitability of these drawings to the requirements of your particular project. Longboard Architectural Products accepts no liability in respect to the use of these drawings. For complete installation instructions refer to the appropriate documentation here [www.longboardproducts.com/resources/technical-documentation/installation-guides](http://www.longboardproducts.com/resources/technical-documentation/installation-guides)





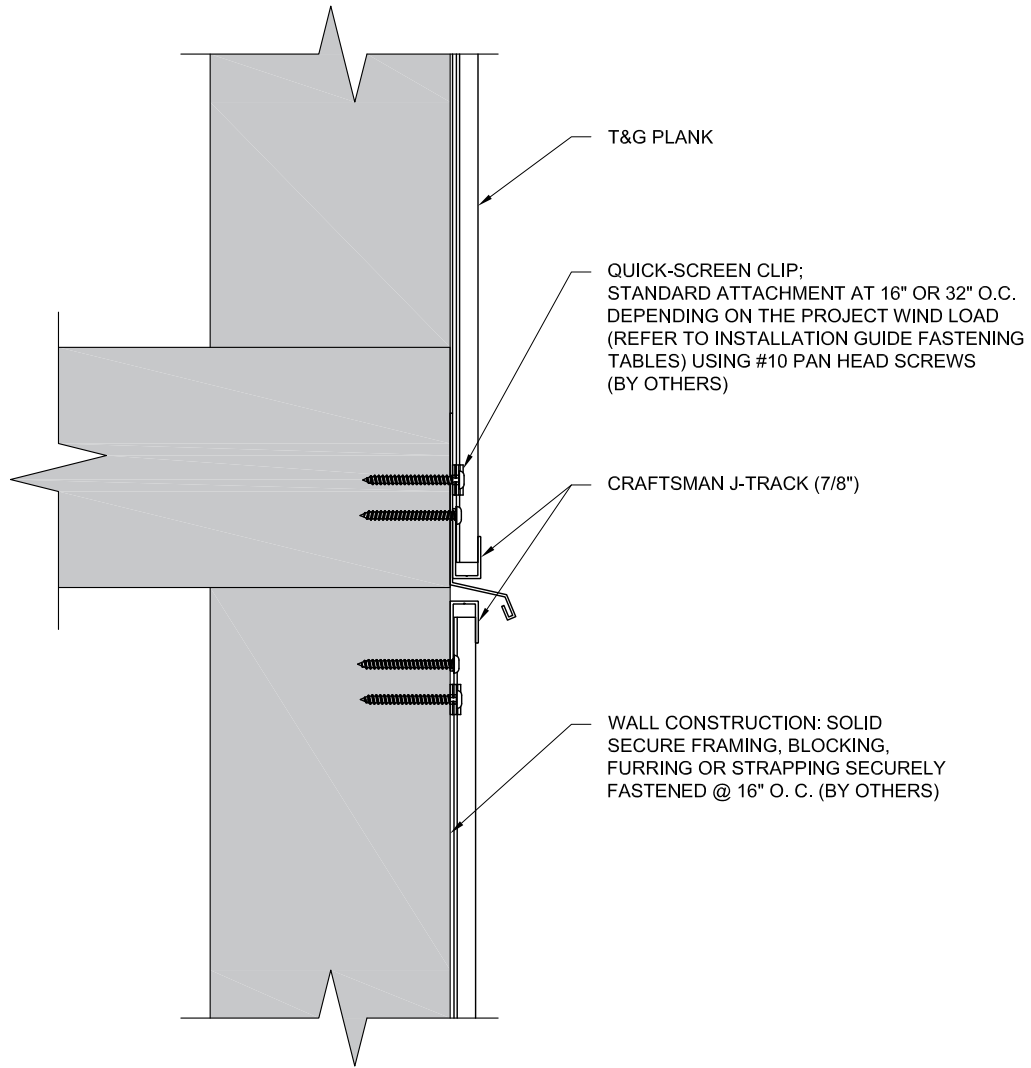
SECTION VIEW

COMPRESSION JOINT DETAIL  
T&G HORIZONTAL

SCALE: 1:4

These drawings are published as an information guide only. These CAD drawings are intended as templates to assist the designer, they do not contain the full detail required for construction and must be read in conjunction with the installation instructions on [www.longboardproducts.com](http://www.longboardproducts.com). You should obtain architectural, engineering or other technical advice to assess the suitability of these drawings to the requirements of your particular project. Longboard Architectural Products accepts no liability in respect to the use of these drawings. For complete installation instructions refer to the appropriate documentation here [www.longboardproducts.com/resources/technical-documentation/installation-guides](http://www.longboardproducts.com/resources/technical-documentation/installation-guides)





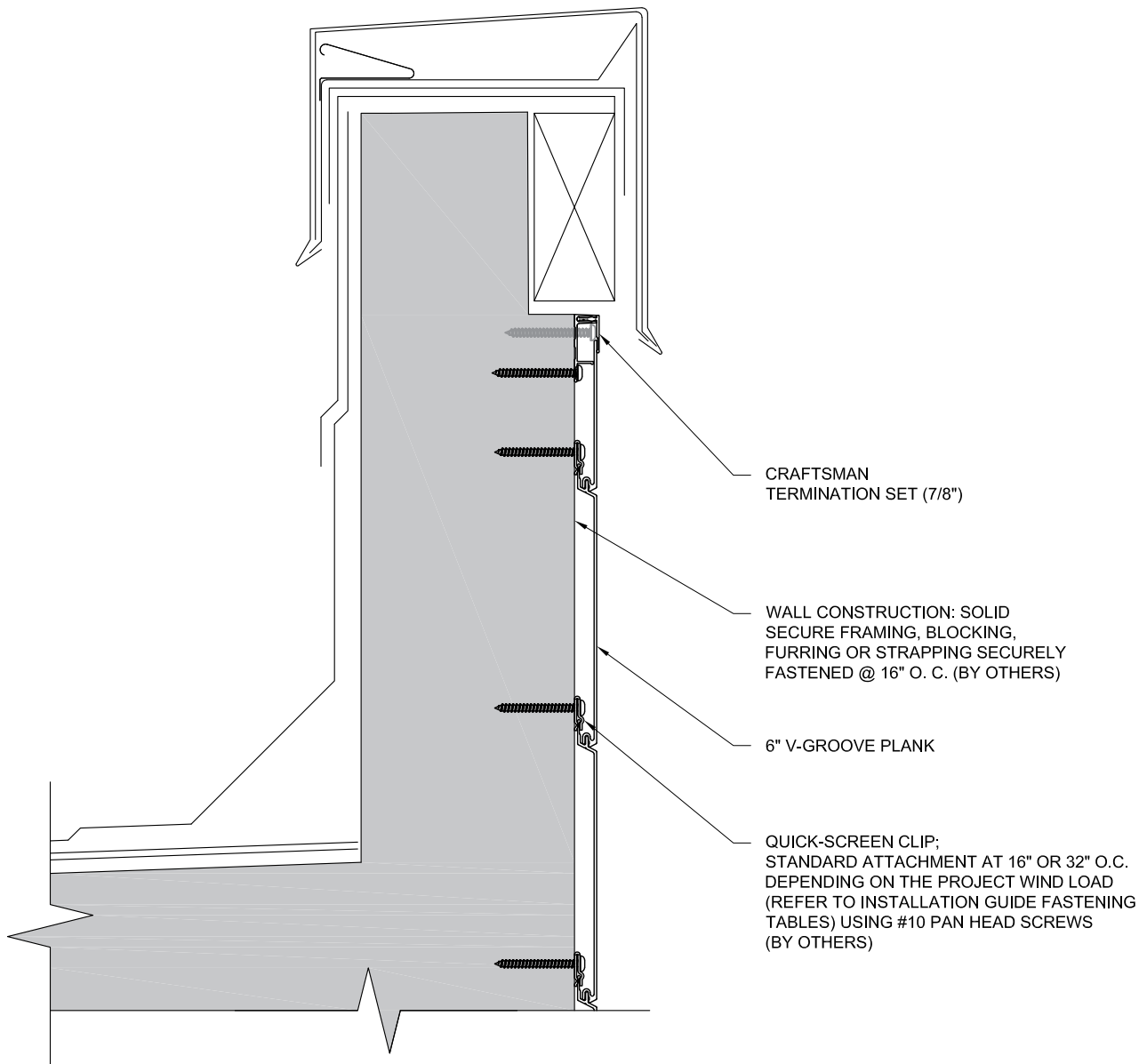
SECTION VIEW

These drawings are published as an information guide only. These CAD drawings are intended as templates to assist the designer, they do not contain the full detail required for construction and must be read in conjunction with the installation instructions on [www.longboardproducts.com](http://www.longboardproducts.com). You should obtain architectural, engineering or other technical advice to assess the suitability of these drawings to the requirements of your particular project. Longboard Architectural Products accepts no liability in respect to the use of these drawings. For complete installation instructions refer to the appropriate documentation here [www.longboardproducts.com/resources/technical-documentation/installation-guides](http://www.longboardproducts.com/resources/technical-documentation/installation-guides)

## THROUGH WALL FLASHING DETAIL T&G VERTICAL

SCALE: 1:4





CRAFTSMAN  
TERMINATION SET (7/8")

WALL CONSTRUCTION: SOLID  
SECURE FRAMING, BLOCKING,  
FURRING OR STRAPPING SECURELY  
FASTENED @ 16" O. C. (BY OTHERS)

6" V-GROOVE PLANK

QUICK-SCREEN CLIP;  
STANDARD ATTACHMENT AT 16" OR 32" O.C.  
DEPENDING ON THE PROJECT WIND LOAD  
(REFER TO INSTALLATION GUIDE FASTENING  
TABLES) USING #10 PAN HEAD SCREWS  
(BY OTHERS)

SECTION VIEW

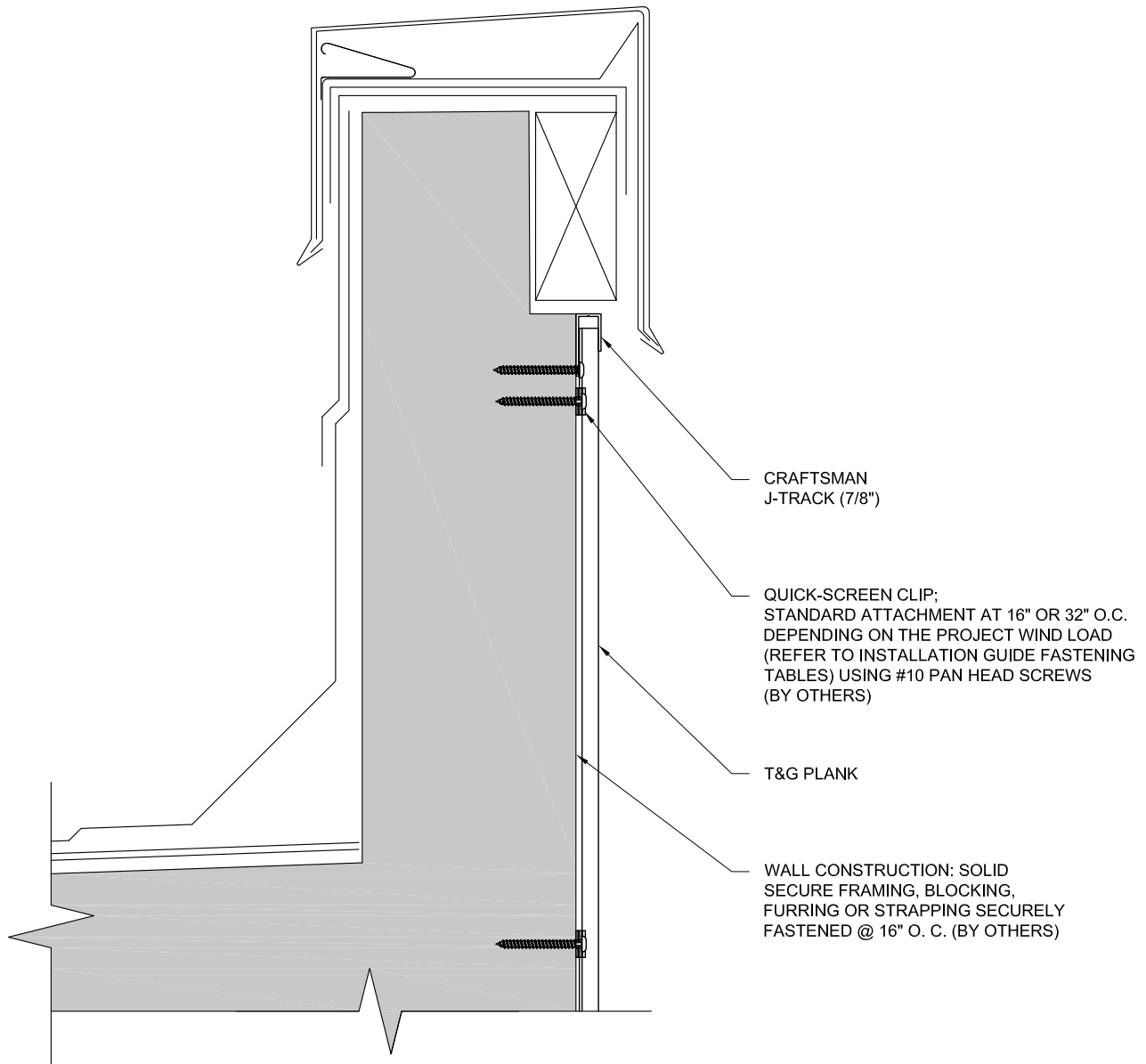
PARAPET DETAIL  
T&G HORIZONTAL

SCALE: 1:4



These drawings are published as an information guide only. These CAD drawings are intended as templates to assist the designer, they do not contain the full detail required for construction and must be read in conjunction with the installation instructions on [www.longboardproducts.com](http://www.longboardproducts.com). You should obtain architectural, engineering or other technical advice to assess the suitability of these drawings to the requirements of your particular project. Longboard Architectural Products accepts no liability in respect to the use of these drawings. For complete installation instructions refer to the appropriate documentation here [www.longboardproducts.com/resources/technical-documentation/installation-guides](http://www.longboardproducts.com/resources/technical-documentation/installation-guides)





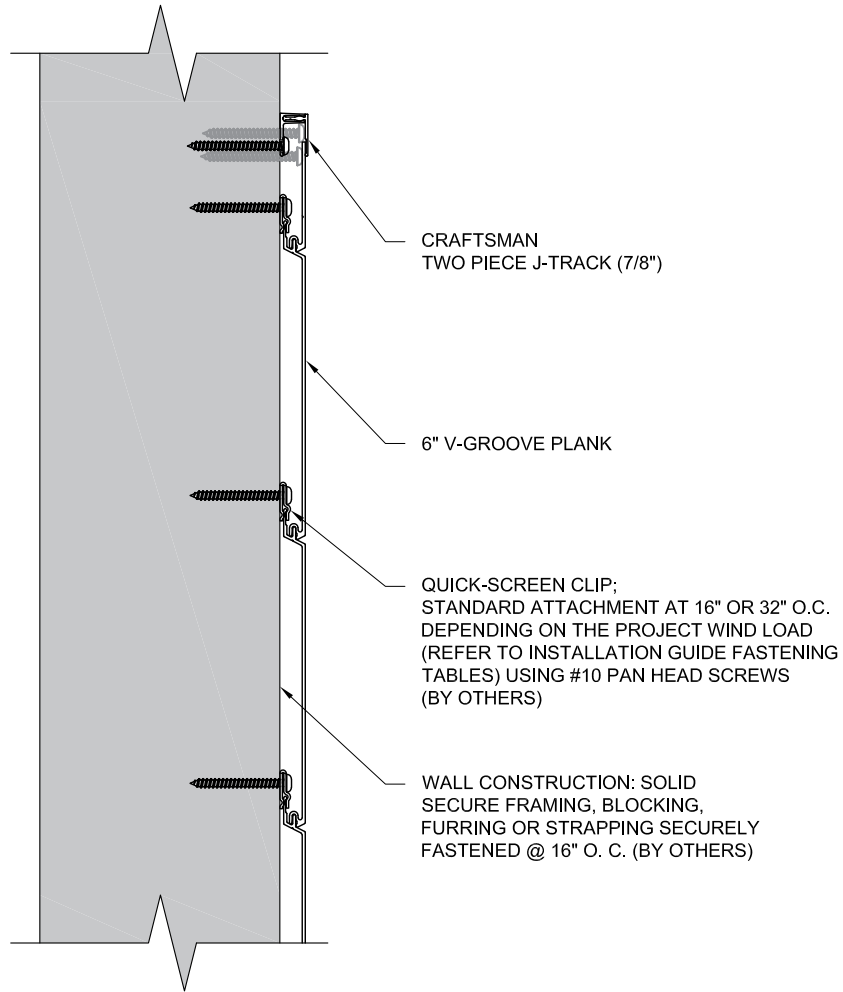
SECTION VIEW

PARAPET DETAIL  
T&G VERTICAL

SCALE: 1:4

These drawings are published as an information guide only. These CAD drawings are intended as templates to assist the designer, they do not contain the full detail required for construction and must be read in conjunction with the installation instructions on [www.longboardproducts.com](http://www.longboardproducts.com). You should obtain architectural, engineering or other technical advice to assess the suitability of these drawings to the requirements of your particular project. Longboard Architectural Products accepts no liability in respect to the use of these drawings. For complete installation instructions refer to the appropriate documentation here [www.longboardproducts.com/resources/technical-documentation/installation-guides](http://www.longboardproducts.com/resources/technical-documentation/installation-guides)





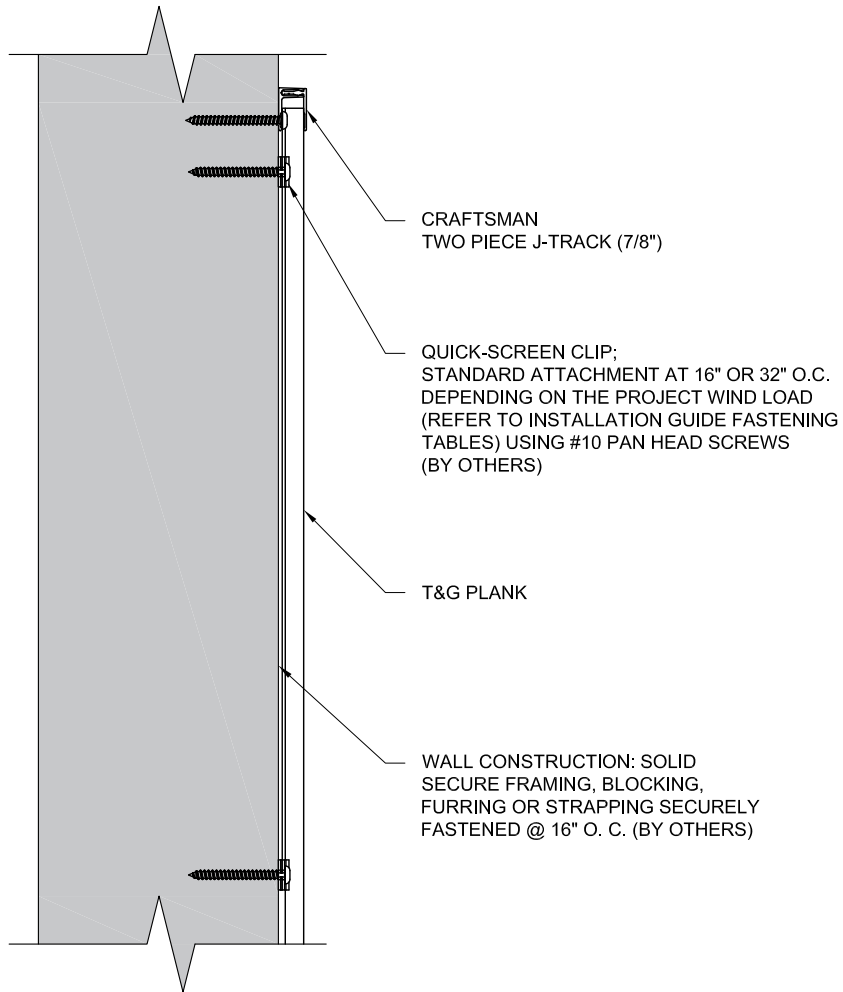
SECTION VIEW

These drawings are published as an information guide only. These CAD drawings are intended as templates to assist the designer, they do not contain the full detail required for construction and must be read in conjunction with the installation instructions on [www.longboardproducts.com](http://www.longboardproducts.com). You should obtain architectural, engineering or other technical advice to assess the suitability of these drawings to the requirements of your particular project. Longboard Architectural Products accepts no liability in respect to the use of these drawings. For complete installation instructions refer to the appropriate documentation here [www.longboardproducts.com/resources/technical-documentation/installation-guides](http://www.longboardproducts.com/resources/technical-documentation/installation-guides)

## TOP OF WALL WITH TWO PIECE J-TRACK DETAIL - T&G HORIZONTAL

SCALE: 1:4





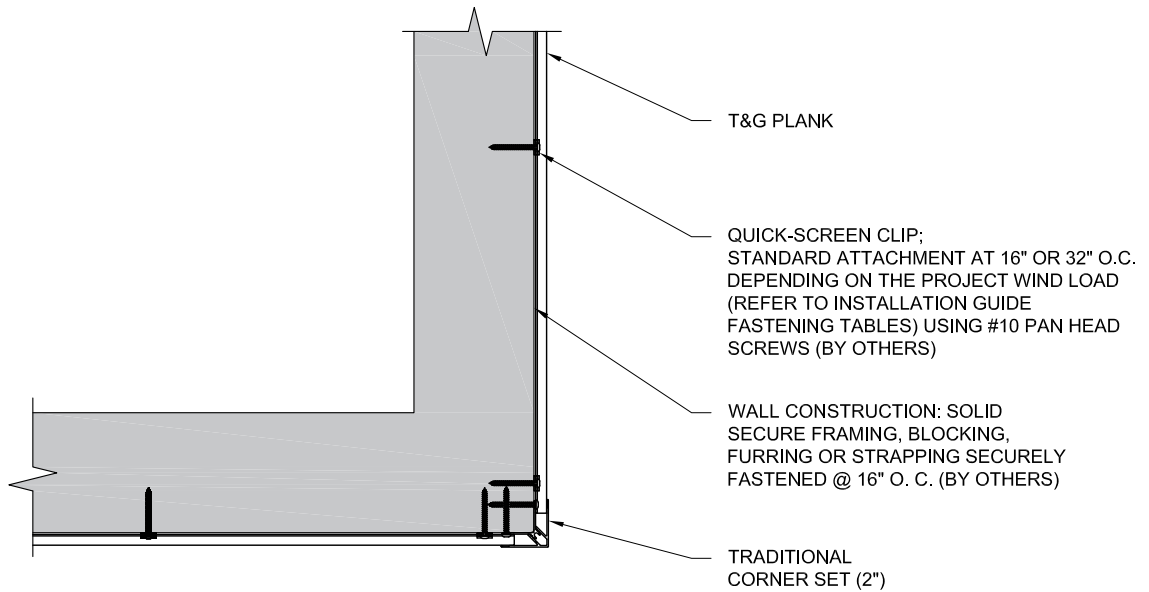
SECTION VIEW

These drawings are published as an information guide only. These CAD drawings are intended as templates to assist the designer, they do not contain the full detail required for construction and must be read in conjunction with the installation instructions on [www.longboardproducts.com](http://www.longboardproducts.com). You should obtain architectural, engineering or other technical advice to assess the suitability of these drawings to the requirements of your particular project. Longboard Architectural Products accepts no liability in respect to the use of these drawings. For complete installation instructions refer to the appropriate documentation here [www.longboardproducts.com/resources/technical-documentation/installation-guides](http://www.longboardproducts.com/resources/technical-documentation/installation-guides)

## TOP OF WALL WITH TWO PIECE J-TRACK DETAIL - T&G VERTICAL

SCALE: 1:4





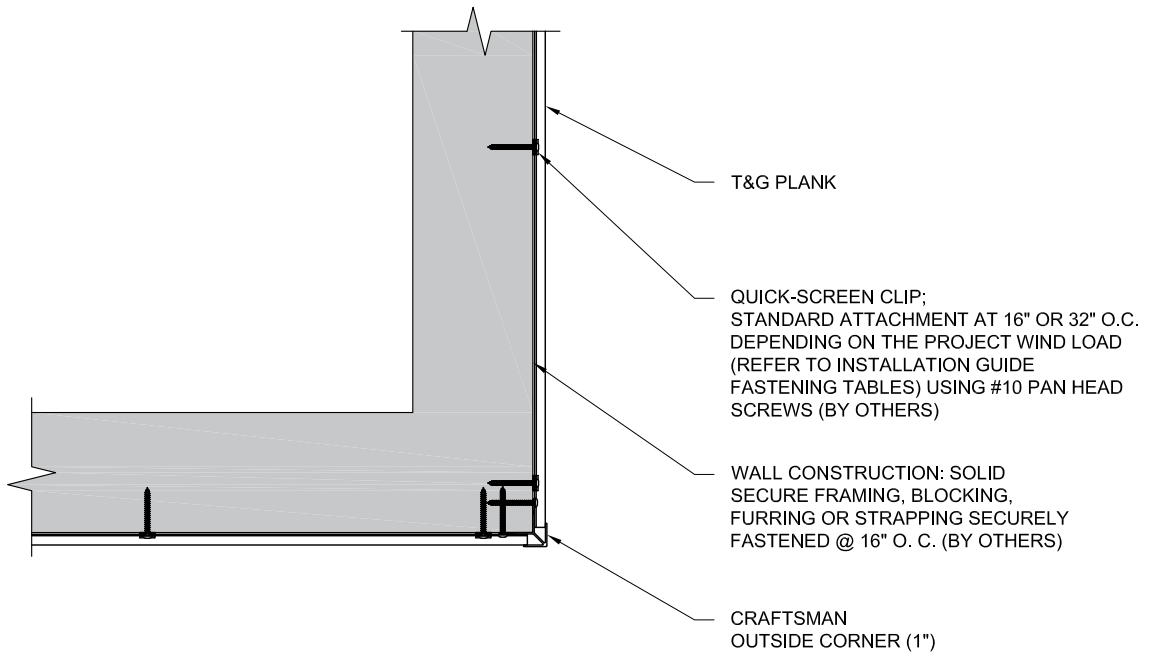
PLAN VIEW

These drawings are published as an information guide only. These CAD drawings are intended as templates to assist the designer, they do not contain the full detail required for construction and must be read in conjunction with the installation instructions on [www.longboardproducts.com](http://www.longboardproducts.com). You should obtain architectural, engineering or other technical advice to assess the suitability of these drawings to the requirements of your particular project. Longboard Architectural Products accepts no liability in respect to the use of these drawings. For complete installation instructions refer to the appropriate documentation here [www.longboardproducts.com/resources/technical-documentation/installation-guides](http://www.longboardproducts.com/resources/technical-documentation/installation-guides)

## OUTSIDE CORNER SET DETAIL T&G HORIZONTAL

SCALE: 1:8



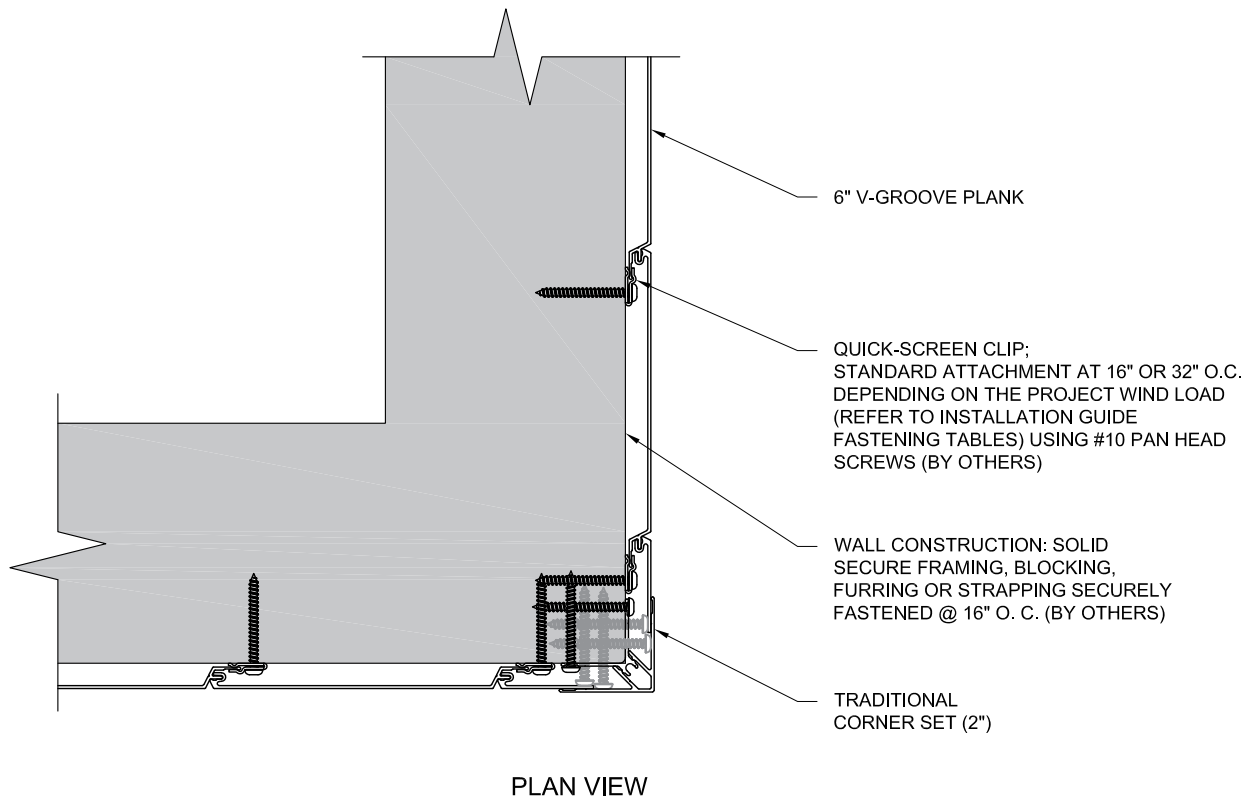


PLAN VIEW

These drawings are published as an information guide only. These CAD drawings are intended as templates to assist the designer, they do not contain the full detail required for construction and must be read in conjunction with the installation instructions on [www.longboardproducts.com](http://www.longboardproducts.com). You should obtain architectural, engineering or other technical advice to assess the suitability of these drawings to the requirements of your particular project. Longboard Architectural Products accepts no liability in respect to the use of these drawings. For complete installation instructions refer to the appropriate documentation here [www.longboardproducts.com/resources/technical-documentation/installation-guides](http://www.longboardproducts.com/resources/technical-documentation/installation-guides)

OUTSIDE CORNER WITH CRAFTSMAN  
OUTSIDE CORNER DETAIL  
T&G HORIZONTAL  
SCALE: 1:8



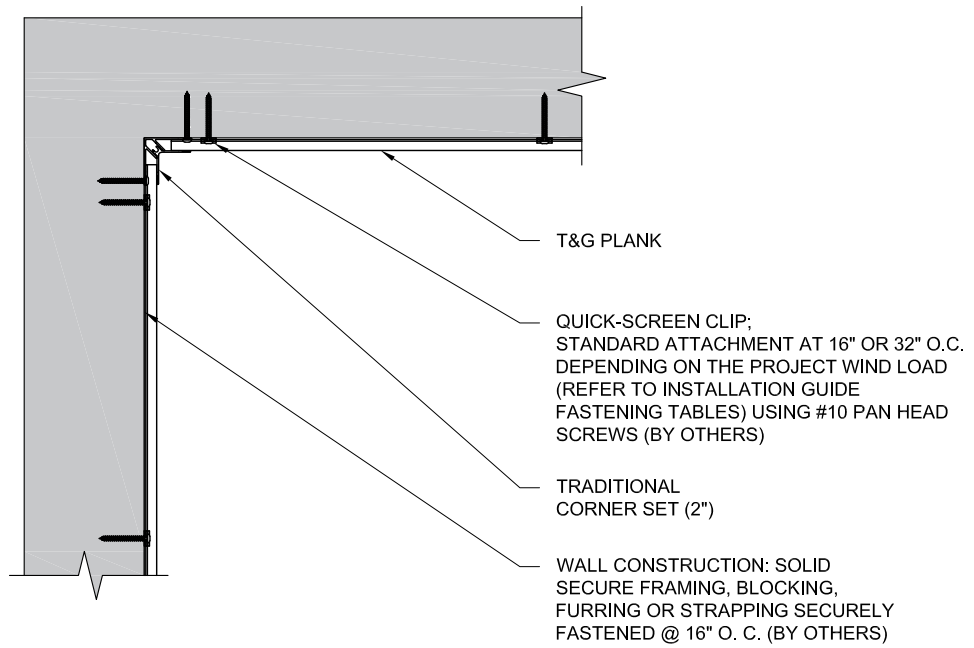


These drawings are published as an information guide only. These CAD drawings are intended as templates to assist the designer, they do not contain the full detail required for construction and must be read in conjunction with the installation instructions on [www.longboardproducts.com](http://www.longboardproducts.com). You should obtain architectural, engineering or other technical advice to assess the suitability of these drawings to the requirements of your particular project. Longboard Architectural Products accepts no liability in respect to the use of these drawings. For complete installation instructions refer to the appropriate documentation here [www.longboardproducts.com/resources/technical-documentation/installation-guides](http://www.longboardproducts.com/resources/technical-documentation/installation-guides)

## OUTSIDE CORNER SET DETAIL T&G VERTICAL

SCALE: 1:4





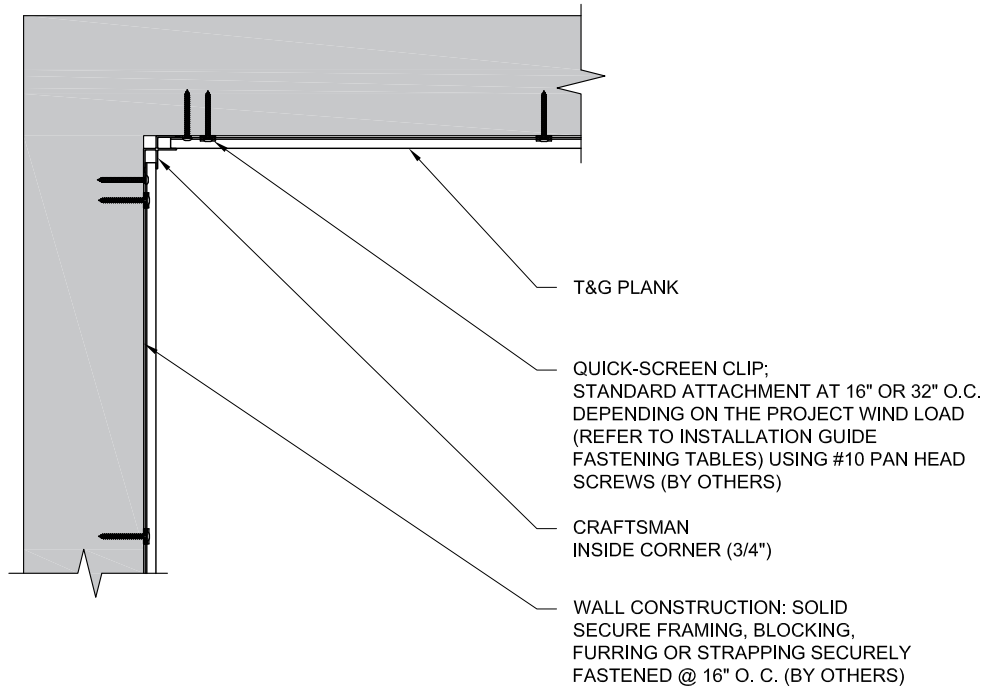
PLAN VIEW

These drawings are published as an information guide only. These CAD drawings are intended as templates to assist the designer, they do not contain the full detail required for construction and must be read in conjunction with the installation instructions on [www.longboardproducts.com](http://www.longboardproducts.com). You should obtain architectural, engineering or other technical advice to assess the suitability of these drawings to the requirements of your particular project. Longboard Architectural Products accepts no liability in respect to the use of these drawings. For complete installation instructions refer to the appropriate documentation here [www.longboardproducts.com/resources/technical-documentation/installation-guides](http://www.longboardproducts.com/resources/technical-documentation/installation-guides)

## INSIDE CORNER SET DETAIL T&G HORIZONTAL

SCALE: 1:8





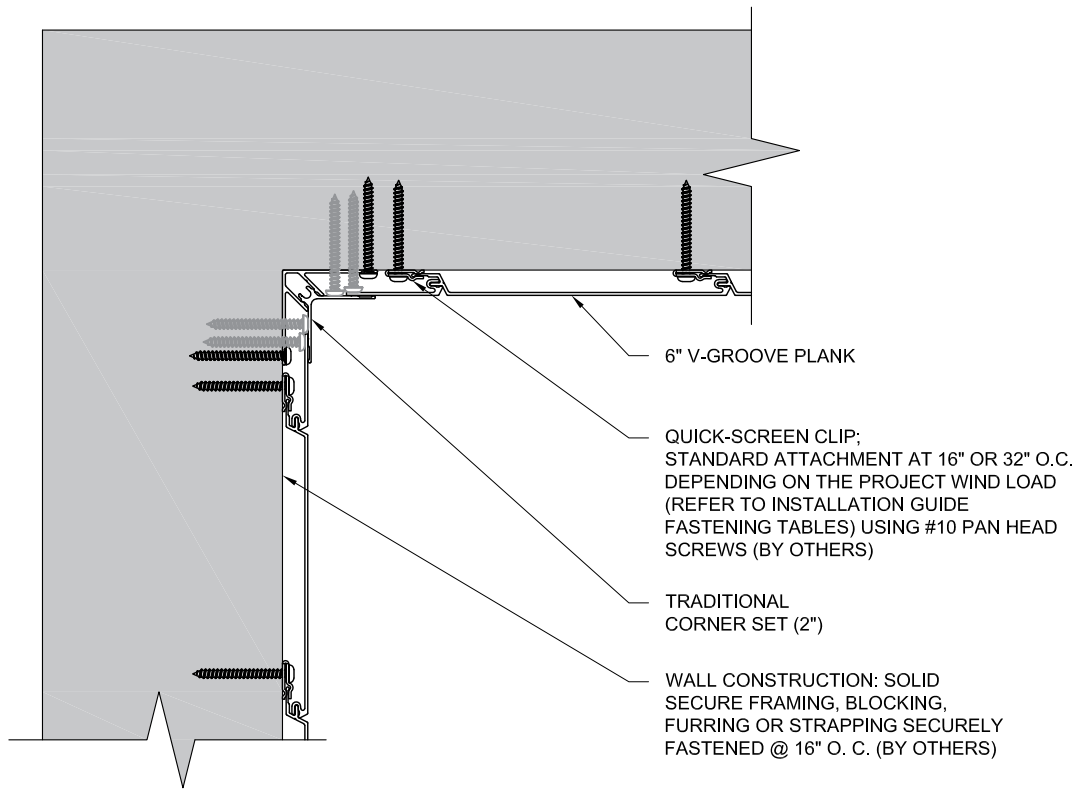
PLAN VIEW

These drawings are published as an information guide only. These CAD drawings are intended as templates to assist the designer, they do not contain the full detail required for construction and must be read in conjunction with the installation instructions on [www.longboardproducts.com](http://www.longboardproducts.com). You should obtain architectural, engineering or other technical advice to assess the suitability of these drawings to the requirements of your particular project. Longboard Architectural Products accepts no liability in respect to the use of these drawings. For complete installation instructions refer to the appropriate documentation here [www.longboardproducts.com/resources/technical-documentation/installation-guides](http://www.longboardproducts.com/resources/technical-documentation/installation-guides)

INSIDE CORNER WITH CRAFTSMAN  
INSIDE CORNER DETAIL  
T&G HORIZONTAL  
SCALE: 1:8







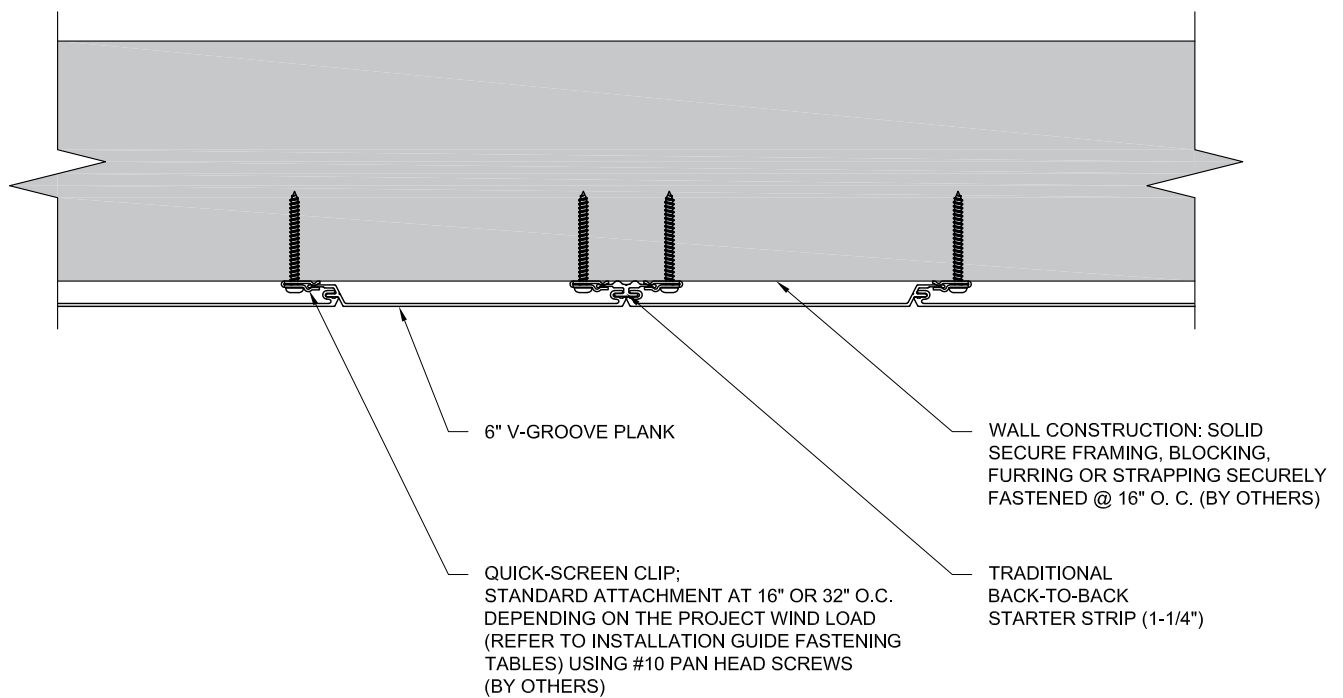
PLAN VIEW

These drawings are published as an information guide only. These CAD drawings are intended as templates to assist the designer, they do not contain the full detail required for construction and must be read in conjunction with the installation instructions on [www.longboardproducts.com](http://www.longboardproducts.com). You should obtain architectural, engineering or other technical advice to assess the suitability of these drawings to the requirements of your particular project. Longboard Architectural Products accepts no liability in respect to the use of these drawings. For complete installation instructions refer to the appropriate documentation here [www.longboardproducts.com/resources/technical-documentation/installation-guides](http://www.longboardproducts.com/resources/technical-documentation/installation-guides)

## INSIDE CORNER SET DETAIL T&G VERTICAL

SCALE: 1:4



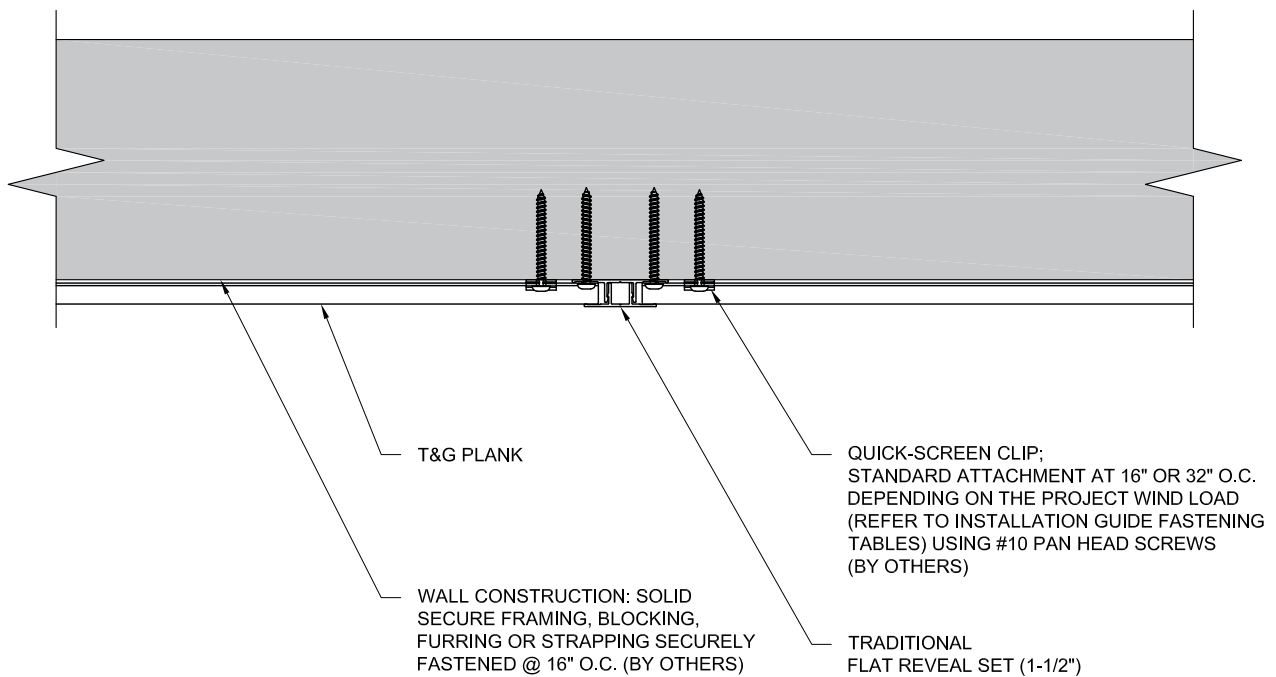


PLAN VIEW

These drawings are published as an information guide only. These CAD drawings are intended as templates to assist the designer, they do not contain the full detail required for construction and must be read in conjunction with the installation instructions on [www.longboardproducts.com](http://www.longboardproducts.com). You should obtain architectural, engineering or other technical advice to assess the suitability of these drawings to the requirements of your particular project. Longboard Architectural Products accepts no liability in respect to the use of these drawings. For complete installation instructions refer to the appropriate documentation here [www.longboardproducts.com/resources/technical-documentation/installation-guides](http://www.longboardproducts.com/resources/technical-documentation/installation-guides)

TRADITIONAL BACK-TO-BACK  
STARTER STRIP DETAIL  
T&G VERTICAL  
SCALE: 1:4





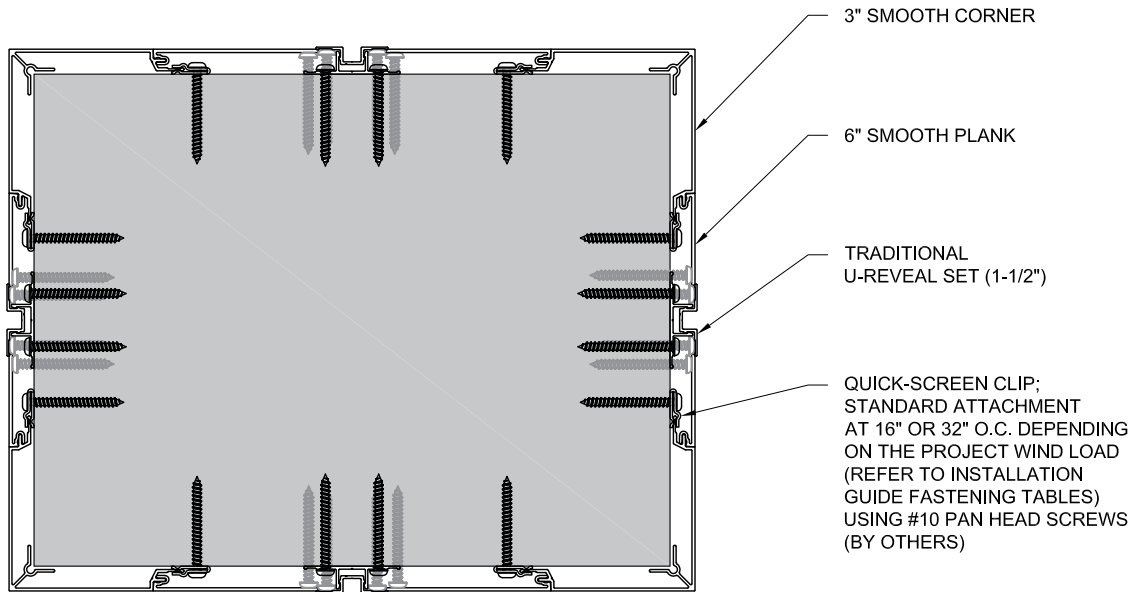
PLAN VIEW

These drawings are published as an information guide only. These CAD drawings are intended as templates to assist the designer, they do not contain the full detail required for construction and must be read in conjunction with the installation instructions on [www.longboardproducts.com](http://www.longboardproducts.com). You should obtain architectural, engineering or other technical advice to assess the suitability of these drawings to the requirements of your particular project. Longboard Architectural Products accepts no liability in respect to the use of these drawings. For complete installation instructions refer to the appropriate documentation here [www.longboardproducts.com/resources/technical-documentation/installation-guides](http://www.longboardproducts.com/resources/technical-documentation/installation-guides)

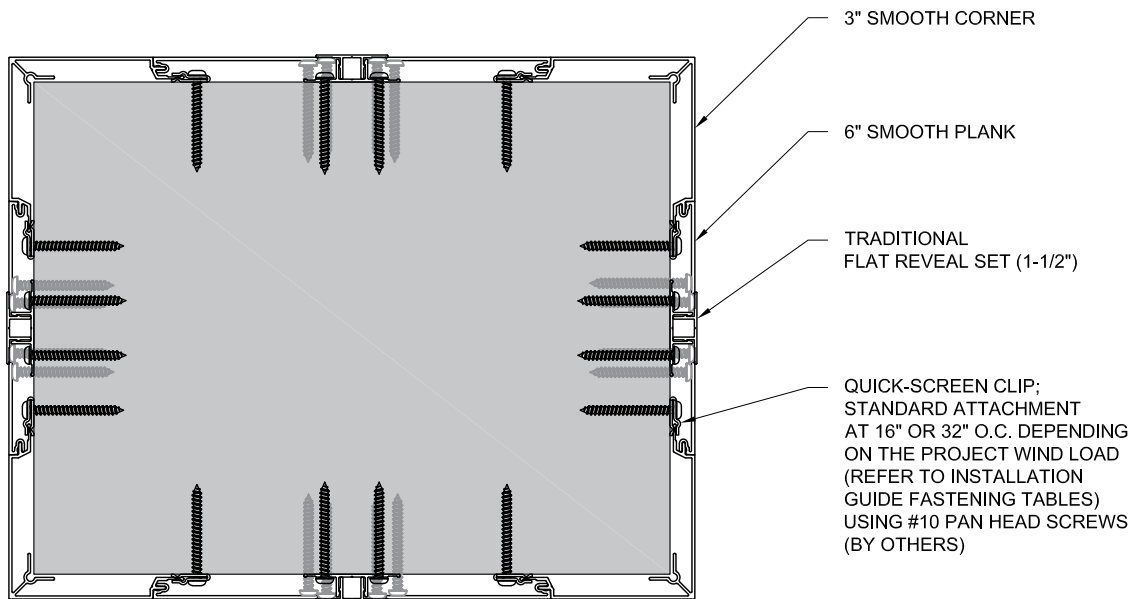
## TRADITIONAL FLAT REVEAL SET DETAIL - T&G HORIZONTAL

SCALE: 1:4





PLAN VIEW

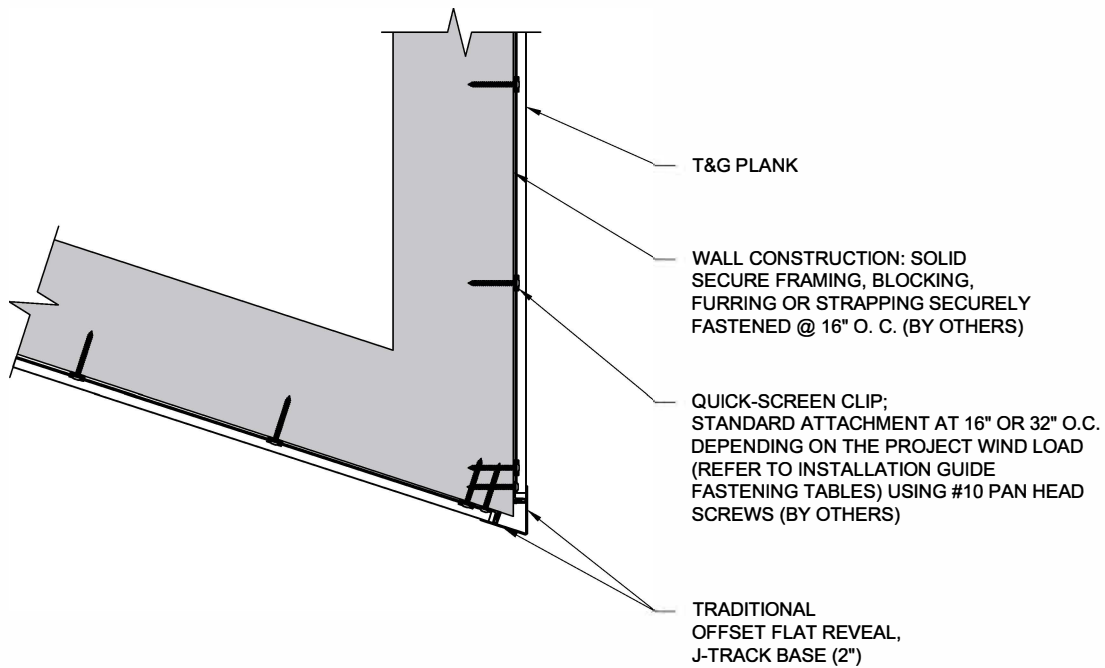


PLAN VIEW

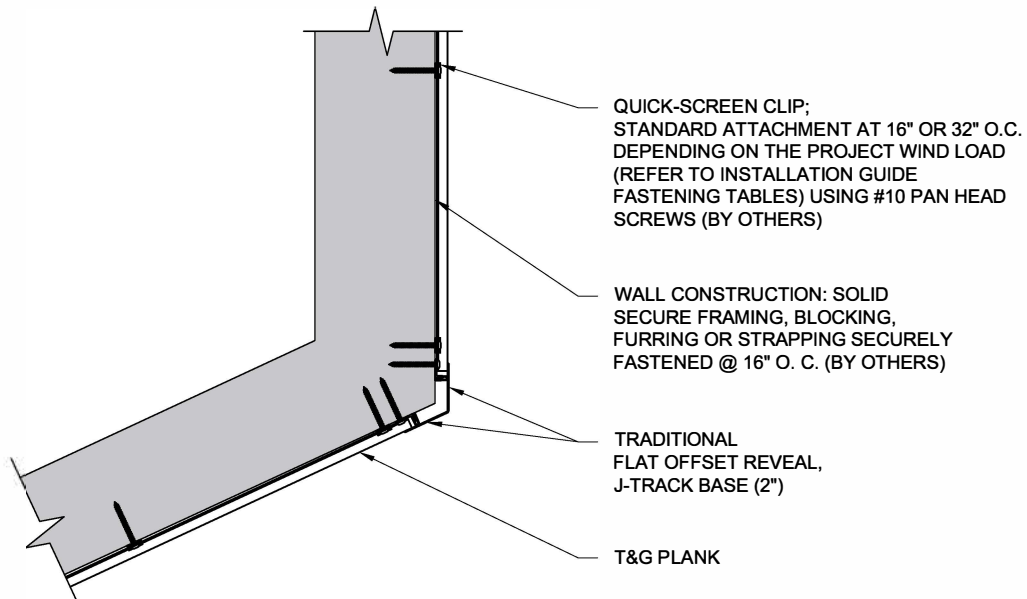
These drawings are published as an information guide only. These CAD drawings are intended as templates to assist the designer, they do not contain the full detail required for construction and must be read in conjunction with the installation instructions on [www.longboardproducts.com](http://www.longboardproducts.com). You should obtain architectural, engineering or other technical advice to assess the suitability of these drawings to the requirements of your particular project. Longboard Architectural Products accepts no liability in respect to the use of these drawings. For complete installation instructions refer to the appropriate documentation here [www.longboardproducts.com/resources/technical-documentation/installation-guides](http://www.longboardproducts.com/resources/technical-documentation/installation-guides)

WRAP AROUND A COLUMN  
WITH REVEAL SET DETAIL  
T&G VERTICAL  
SCALE: 1:4





PLAN VIEW

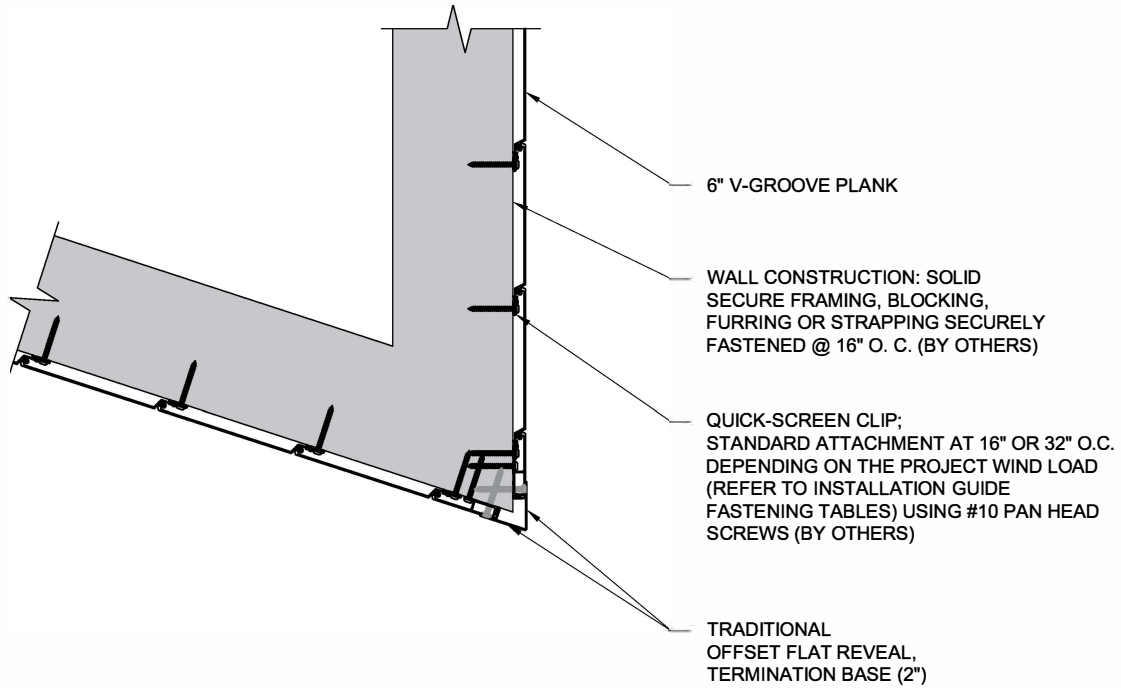


PLAN VIEW

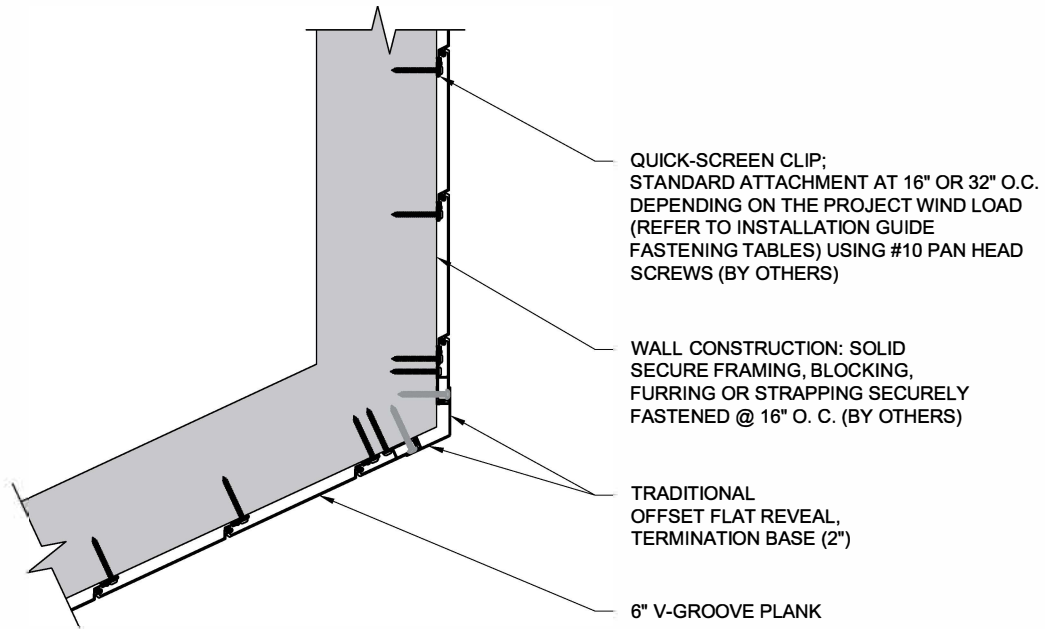
These drawings are published as an information guide only. These CAD drawings are intended as templates to assist the designer, they do not contain the full detail required for construction and must be read in conjunction with the installation instructions on [www.longboardproducts.com](http://www.longboardproducts.com). You should obtain architectural, engineering or other technical advice to assess the suitability of these drawings to the requirements of your particular project. Longboard Architectural Products accepts no liability in respect to the use of these drawings. For complete installation instructions refer to the appropriate documentation here [www.longboardproducts.com/resources/technical-documentation/installation-guides](http://www.longboardproducts.com/resources/technical-documentation/installation-guides)

NON 90 DEGREE OUTSIDE  
CORNER DETAIL  
T&G HORIZONTAL  
SCALE: 1:8





PLAN VIEW

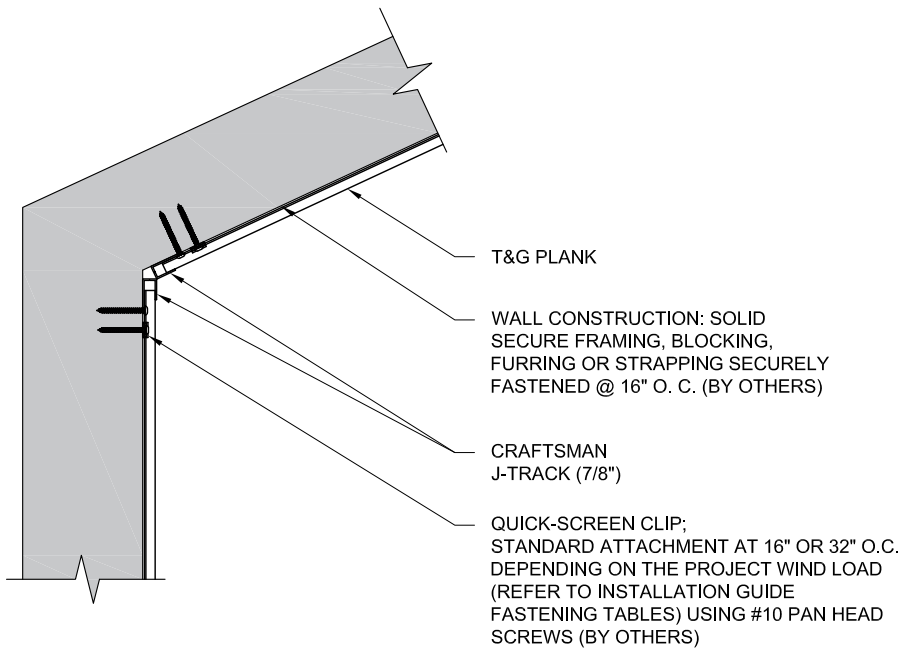


PLAN VIEW

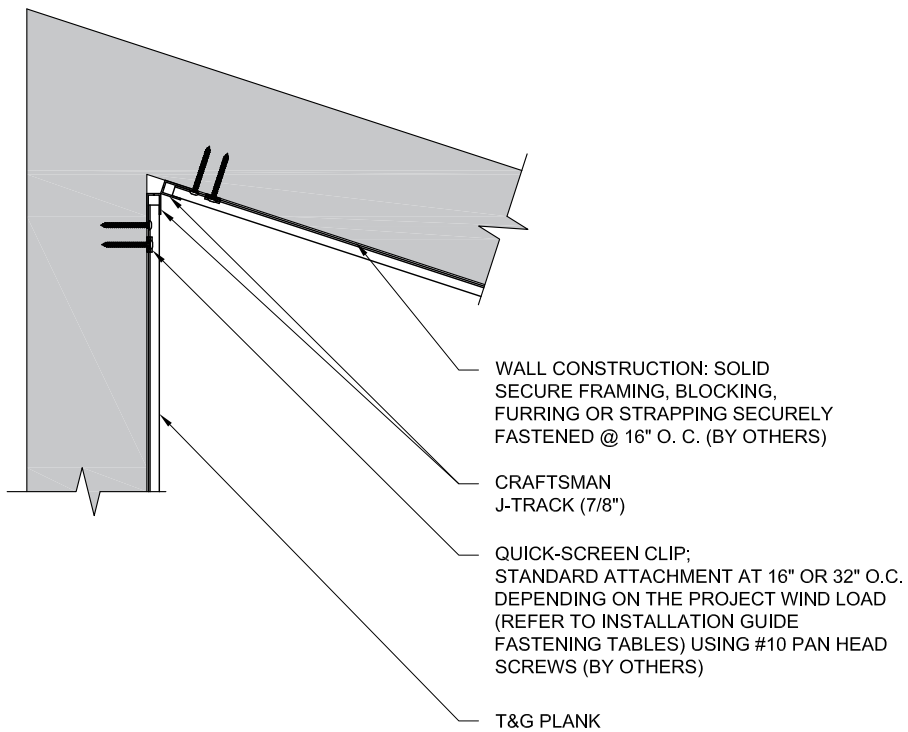
These drawings are published as an information guide only. These CAD drawings are intended as templates to assist the designer, they do not contain the full detail required for construction and must be read in conjunction with the installation instructions on [www.longboardproducts.com](http://www.longboardproducts.com). You should obtain architectural, engineering or other technical advice to assess the suitability of these drawings to the requirements of your particular project. Longboard Architectural Products accepts no liability in respect to the use of these drawings. For complete installation instructions refer to the appropriate documentation here [www.longboardproducts.com/resources/technical-documentation/installation-guides](http://www.longboardproducts.com/resources/technical-documentation/installation-guides)

NON 90 DEGREE OUTSIDE  
CORNER DETAIL  
T&G VERTICAL  
SCALE: 1:8





PLAN VIEW

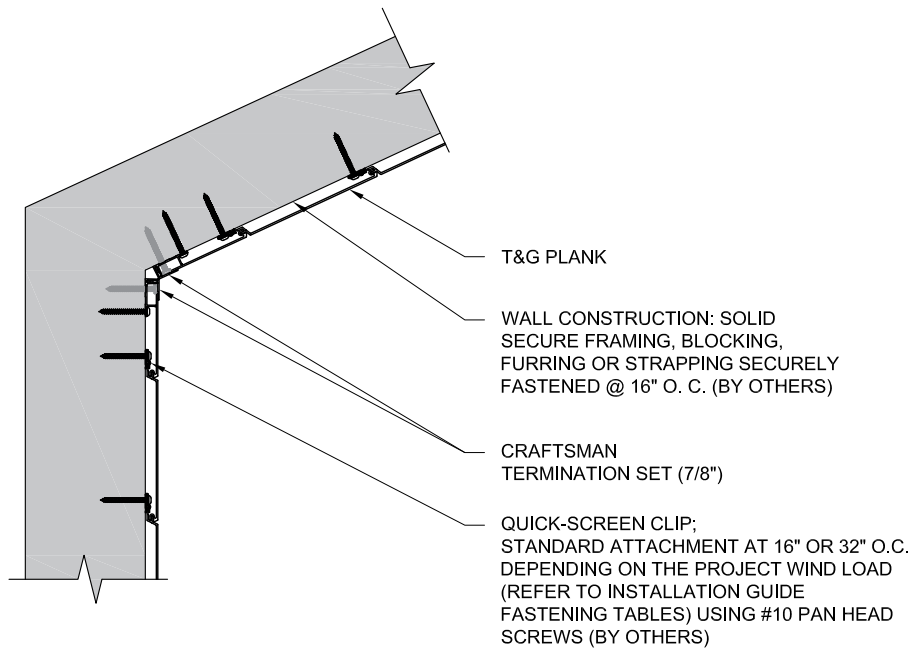


PLAN VIEW

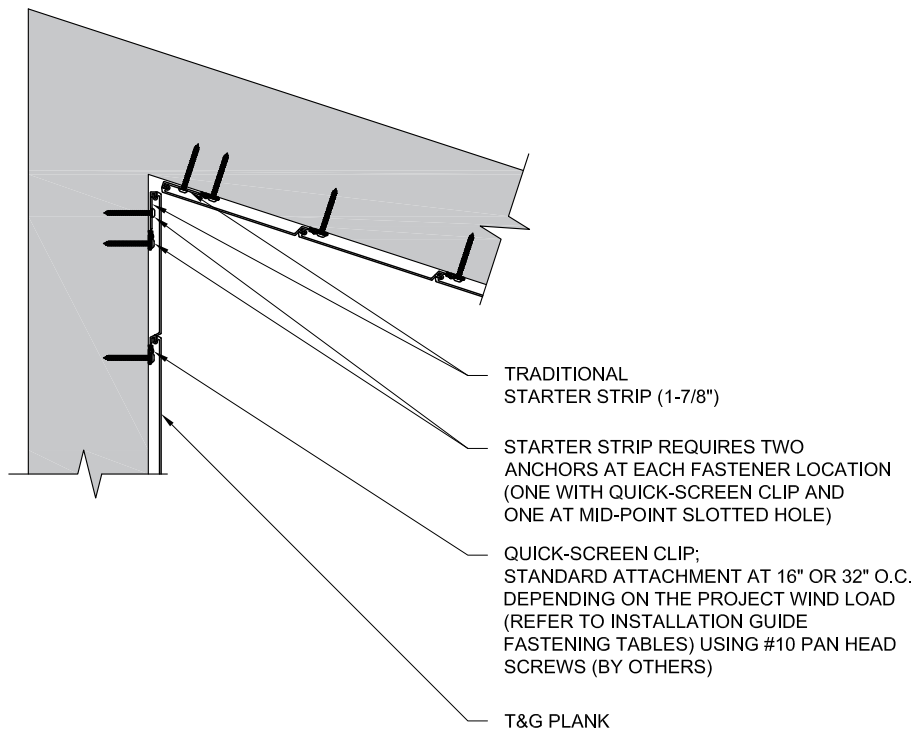
These drawings are published as an information guide only. These CAD drawings are intended as templates to assist the designer, they do not contain the full detail required for construction and must be read in conjunction with the installation instructions on [www.longboardproducts.com](http://www.longboardproducts.com). You should obtain architectural, engineering or other technical advice to assess the suitability of these drawings to the requirements of your particular project. Longboard Architectural Products accepts no liability in respect to the use of these drawings. For complete installation instructions refer to the appropriate documentation here [www.longboardproducts.com/resources/technical-documentation/installation-guides](http://www.longboardproducts.com/resources/technical-documentation/installation-guides)

NON 90 DEGREE INSIDE  
CORNER DETAIL  
T&G HORIZONTAL  
SCALE: 1:8





PLAN VIEW



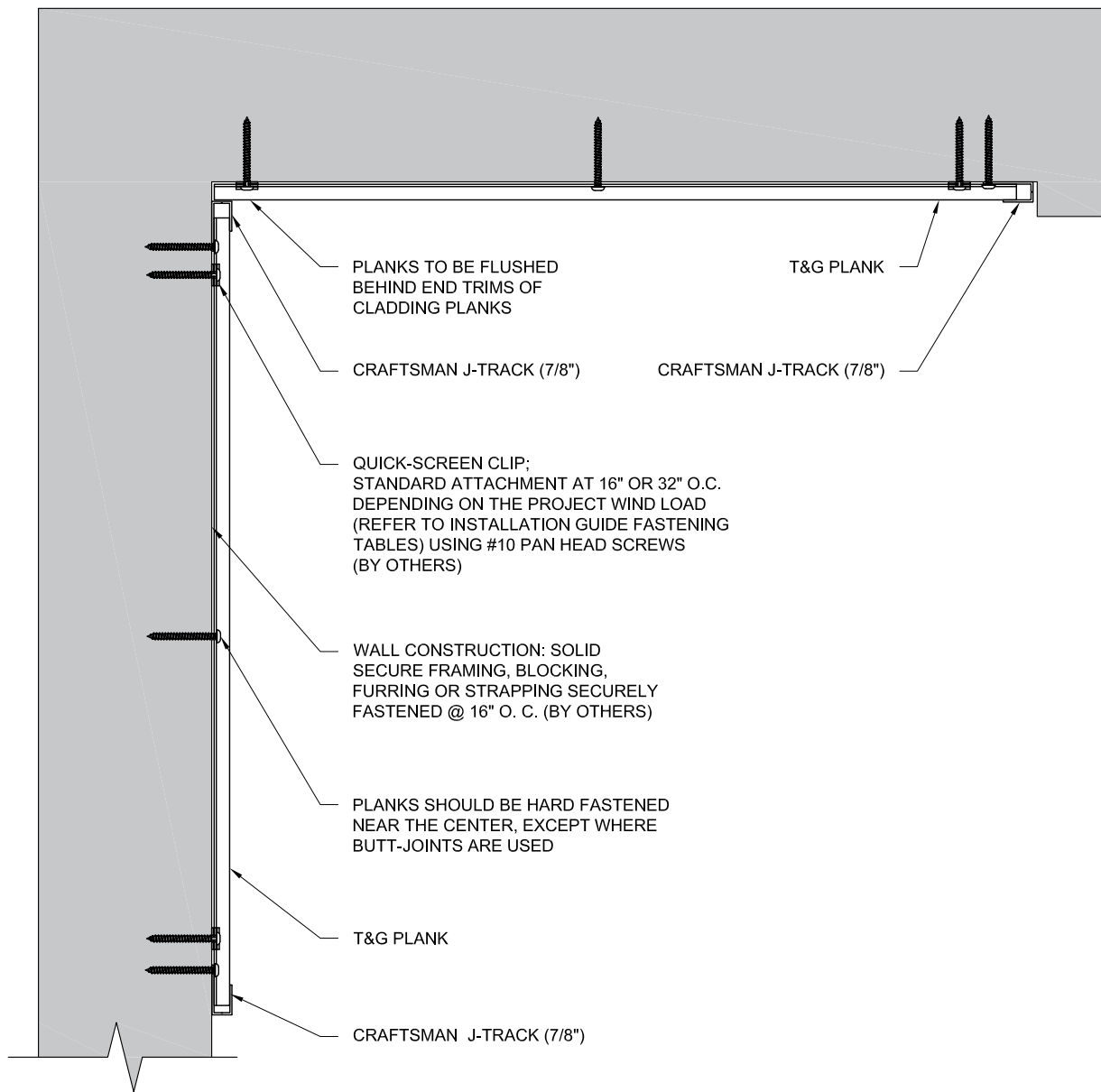
PLAN VIEW

These drawings are published as an information guide only. These CAD drawings are intended as templates to assist the designer, they do not contain the full detail required for construction and must be read in conjunction with the installation instructions on [www.longboardproducts.com](http://www.longboardproducts.com). You should obtain architectural, engineering or other technical advice to assess the suitability of these drawings to the requirements of your particular project. Longboard Architectural Products accepts no liability in respect to the use of these drawings. For complete installation instructions refer to the appropriate documentation here [www.longboardproducts.com/resources/technical-documentation/installation-guides](http://www.longboardproducts.com/resources/technical-documentation/installation-guides)

NON 90 DEGREE INSIDE  
CORNER DETAIL  
T&G VERTICAL  
SCALE: 1:8





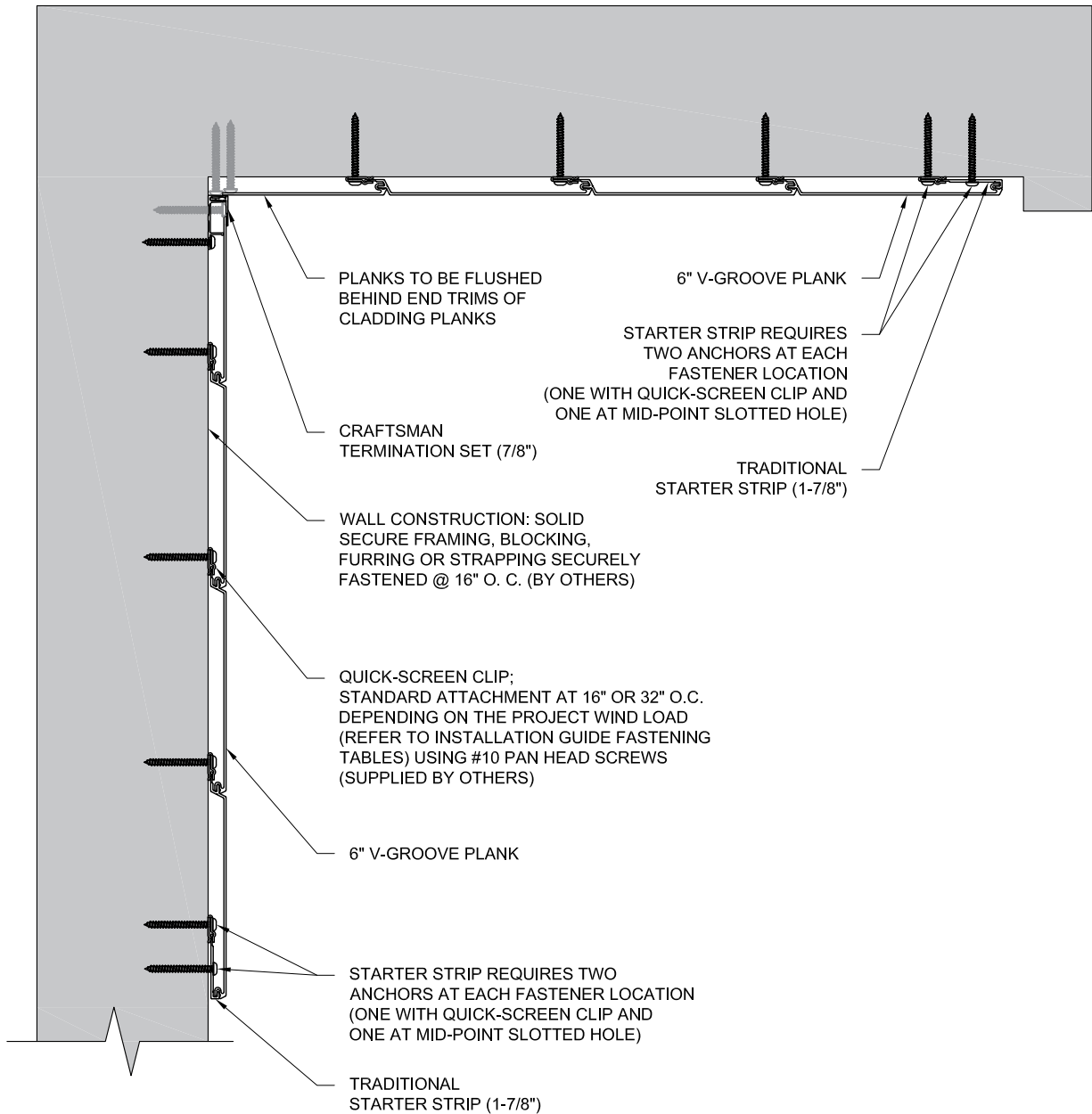


SECTION VIEW

These drawings are published as an information guide only. These CAD drawings are intended as templates to assist the designer, they do not contain the full detail required for construction and must be read in conjunction with the installation instructions on [www.longboardproducts.com](http://www.longboardproducts.com). You should obtain architectural, engineering or other technical advice to assess the suitability of these drawings to the requirements of your particular project. Longboard Architectural Products accepts no liability in respect to the use of these drawings. For complete installation instructions refer to the appropriate documentation here [www.longboardproducts.com/resources/technical-documentation/installation-guides](http://www.longboardproducts.com/resources/technical-documentation/installation-guides)

CLADDING TO PERPENDICULAR  
 SOFFIT TRANSITION DETAIL  
 T&G VERTICAL  
 SCALE: 1:5



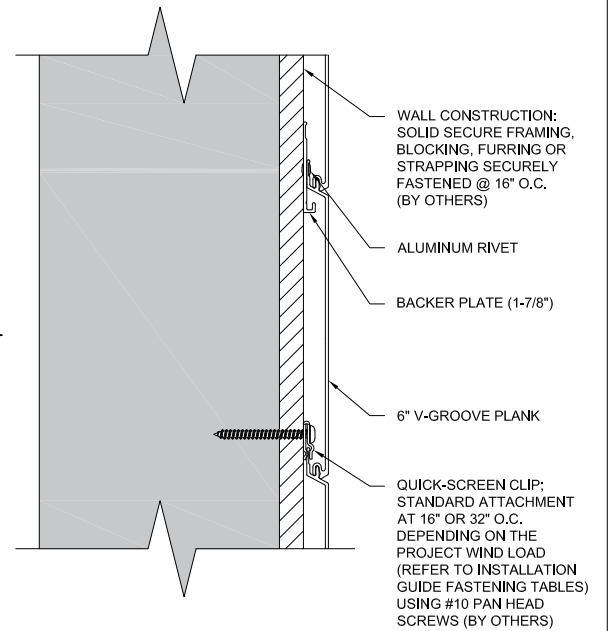
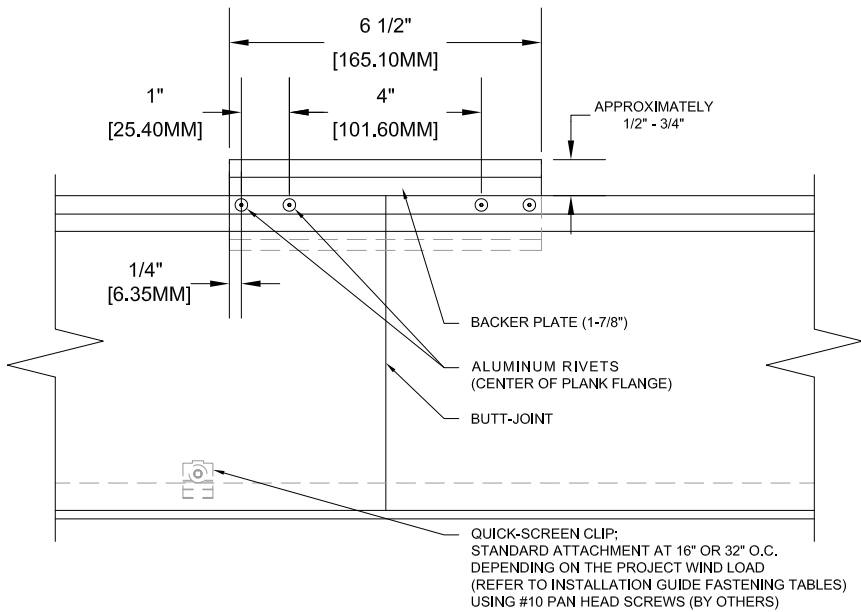


SECTION VIEW

CLADDING TO PARALLEL  
SOFFIT TRANSITION DETAIL  
T&G HORIZONTAL  
SCALE: 1:5

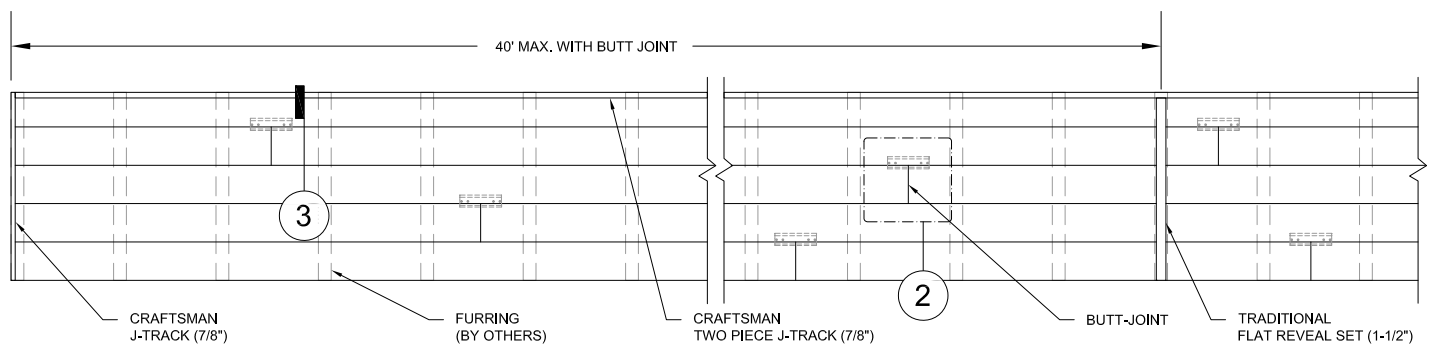
These drawings are published as an information guide only. These CAD drawings are intended as templates to assist the designer, they do not contain the full detail required for construction and must be read in conjunction with the installation instructions on [www.longboardproducts.com](http://www.longboardproducts.com). You should obtain architectural, engineering or other technical advice to assess the suitability of these drawings to the requirements of your particular project. Longboard Architectural Products accepts no liability in respect to the use of these drawings. For complete installation instructions refer to the appropriate documentation here [www.longboardproducts.com/resources/technical-documentation/installation-guides](http://www.longboardproducts.com/resources/technical-documentation/installation-guides)





2 BUTT-JOINT KIT ENLARGED DETAIL  
 SCALE: 1:4

3 SECTION  
 SCALE: 1:4



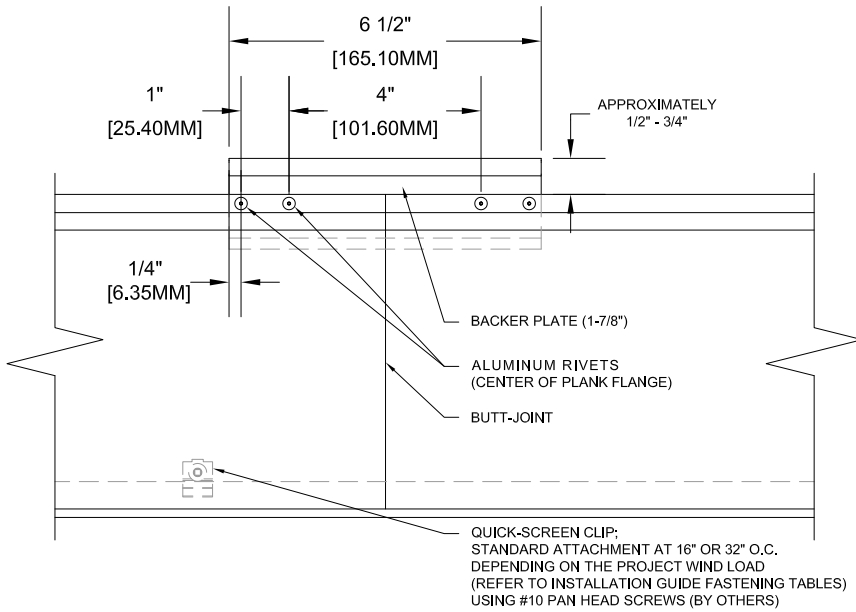
1 ELEVATION WITH SINGLE BUTT-JOINTS  
 SCALE: 1:30

These drawings are published as an information guide only. These CAD drawings are intended as templates to assist the designer, they do not contain the full detail required for construction and must be read in conjunction with the installation instructions on [www.longboardproducts.com](http://www.longboardproducts.com). You should obtain architectural, engineering or other technical advice to assess the suitability of these drawings to the requirements of your particular project. Longboard Architectural Products accepts no liability in respect to the use of these drawings. For complete installation instructions refer to the appropriate documentation here [www.longboardproducts.com/resources/technical-documentation/installation-guides](http://www.longboardproducts.com/resources/technical-documentation/installation-guides)

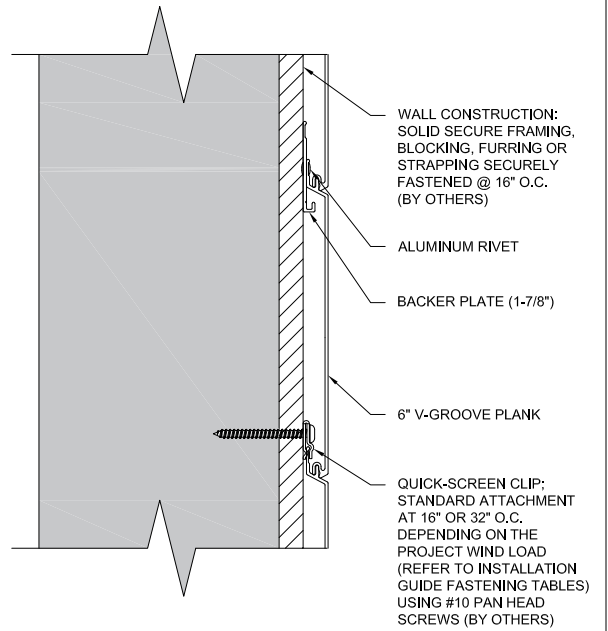
SINGLE BUTT-JOINT DETAIL  
 T&G HORIZONTAL

SCALE: AS INDICATED

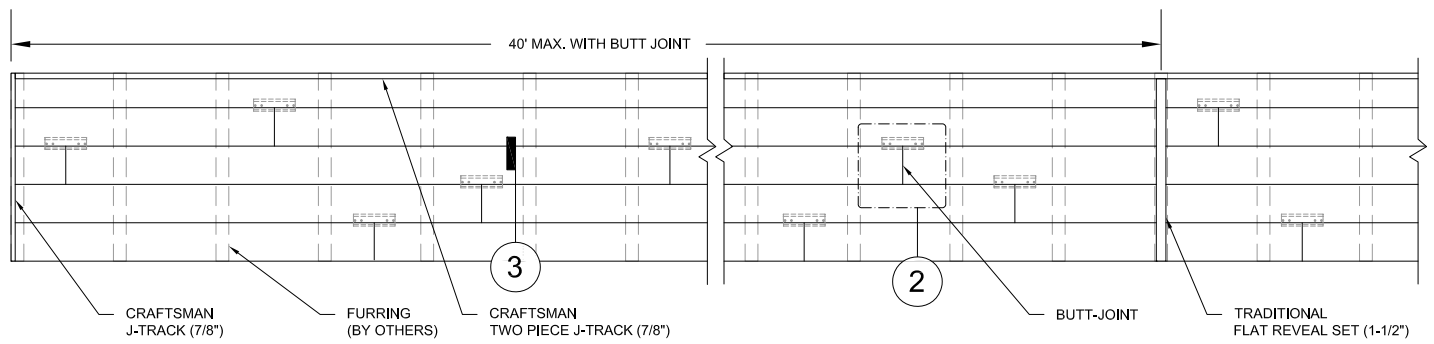




**2** BUTT-JOINT KIT ENLARGED DETAIL  
SCALE: 1:4



**3** SECTION  
SCALE: 1:4

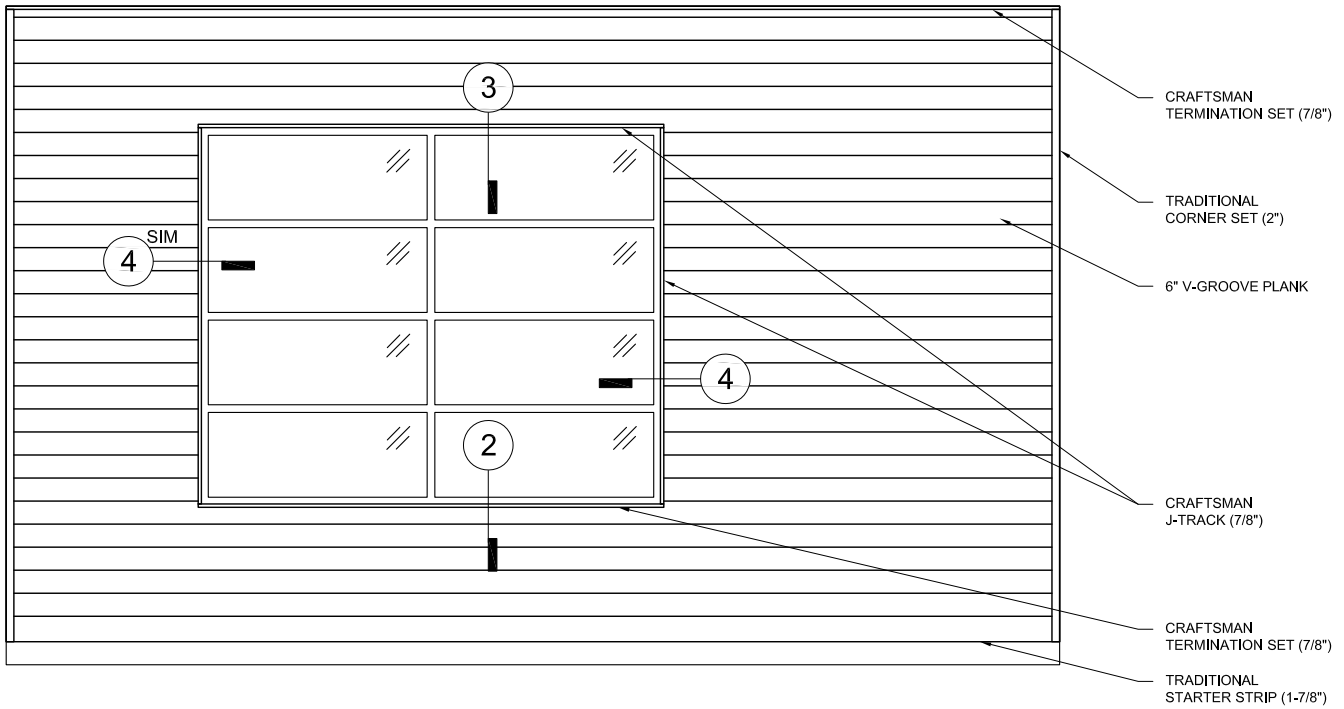


**1** ELEVATION WITH MULTIPLE BUTT-JOINTS  
SCALE: 1:30

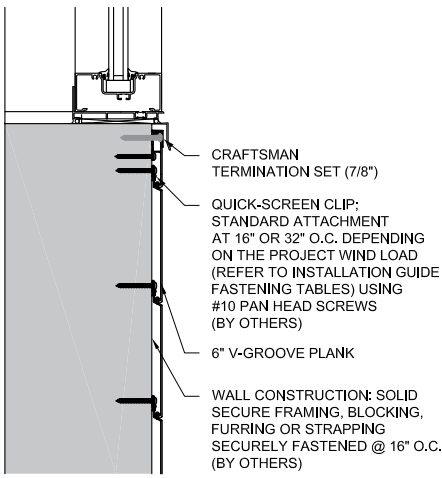
These drawings are published as an information guide only. These CAD drawings are intended as templates to assist the designer, they do not contain the full detail required for construction and must be read in conjunction with the installation instructions on [www.longboardproducts.com](http://www.longboardproducts.com). You should obtain architectural, engineering or other technical advice to assess the suitability of these drawings to the requirements of your particular project. Longboard Architectural Products accepts no liability in respect to the use of these drawings. For complete installation instructions refer to the appropriate documentation here [www.longboardproducts.com/resources/technical-documentation/installation-guides](http://www.longboardproducts.com/resources/technical-documentation/installation-guides)

MULTIPLE BUTT-JOINT DETAIL  
T&G HORIZONTAL  
SCALE: AS INDICATED

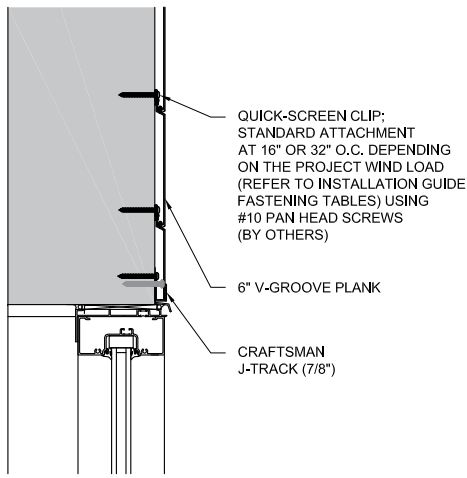




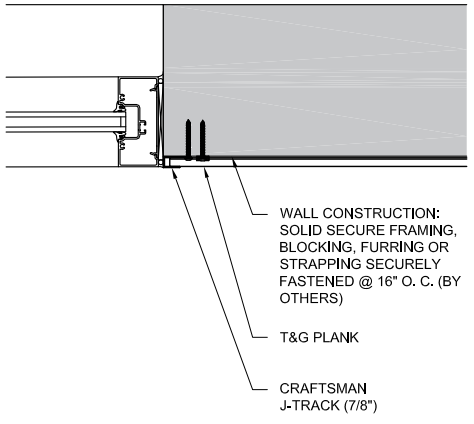
**1 ELEVATION**  
SCALE: 1:50



**2 WINDOW SILL DETAIL**  
SCALE: 1:10



**3 WINDOW HEAD DETAIL**  
SCALE: 1:10

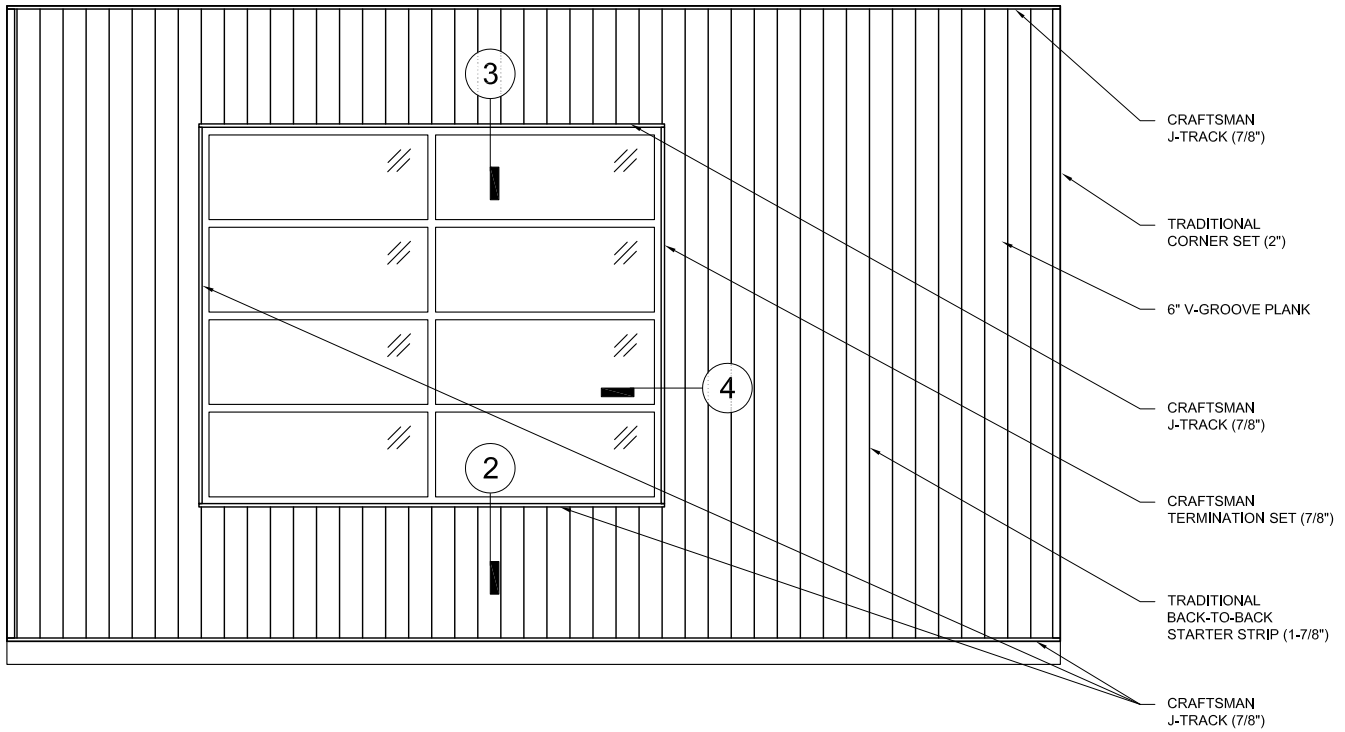


**4 WINDOW JAMB DETAIL**  
SCALE: 1:10

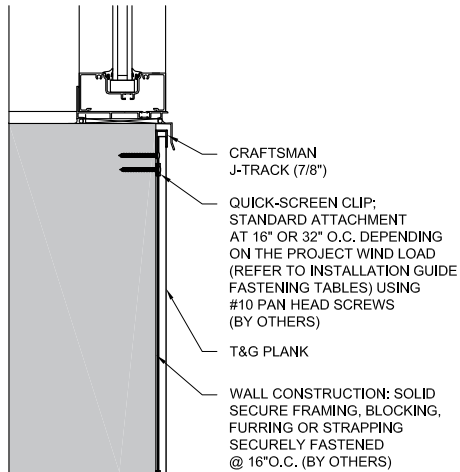
These drawings are published as an information guide only. These CAD drawings are intended as templates to assist the designer, they do not contain the full detail required for construction and must be read in conjunction with the installation instructions on [www.longboardproducts.com](http://www.longboardproducts.com). You should obtain architectural, engineering or other technical advice to assess the suitability of these drawings to the requirements of your particular project. Longboard Architectural Products accepts no liability in respect to the use of these drawings. For complete installation instructions refer to the appropriate documentation here [www.longboardproducts.com/resources/technical-documentation/installation-guides](http://www.longboardproducts.com/resources/technical-documentation/installation-guides)

**WINDOW DETAIL**  
**T&G HORIZONTAL**  
  
SCALE: AS INDICATED

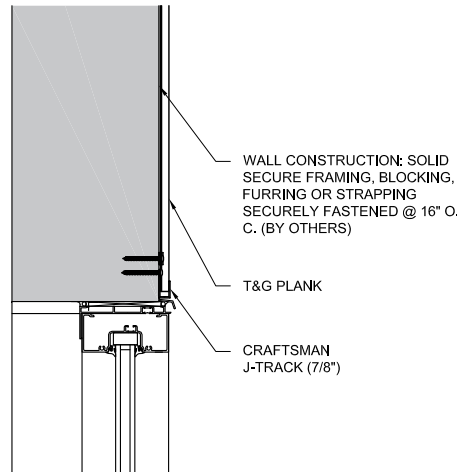




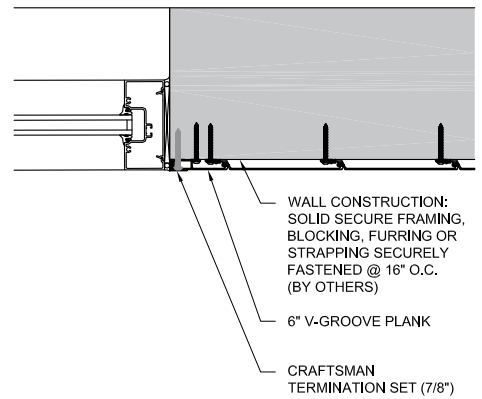
**1 ELEVATION**  
SCALE: 1:50



**2 WINDOW SILL DETAIL**  
SCALE: 1:10



**3 WINDOW HEAD DETAIL**  
SCALE: 1:10



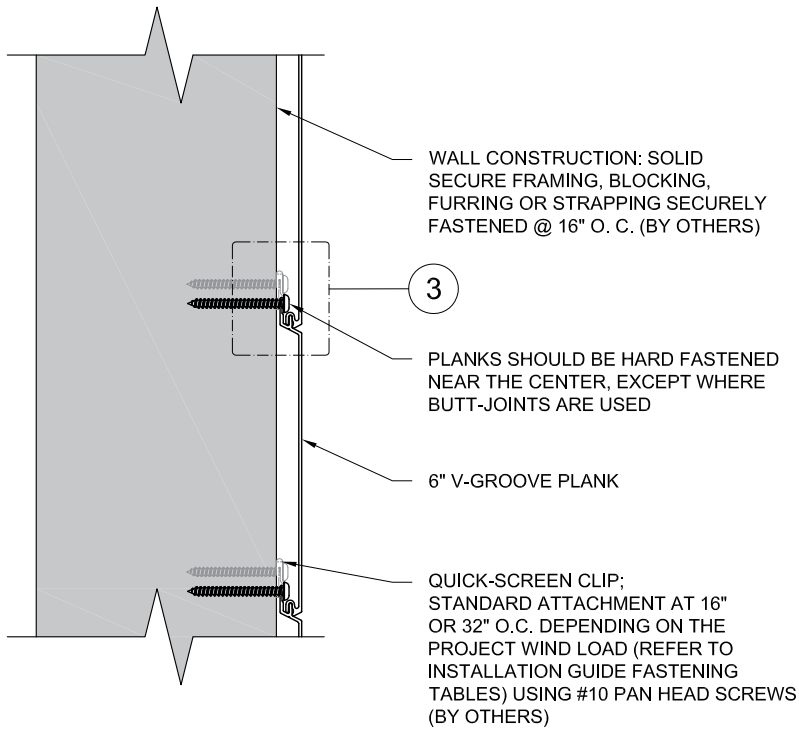
**4 WINDOW JAMB DETAIL**  
SCALE: 1:10

These drawings are published as an information guide only. These CAD drawings are intended as templates to assist the designer, they do not contain the full detail required for construction and must be read in conjunction with the installation instructions on [www.longboardproducts.com](http://www.longboardproducts.com). You should obtain architectural, engineering or other technical advice to assess the suitability of these drawings to the requirements of your particular project. Longboard Architectural Products accepts no liability in respect to the use of these drawings. For complete installation instructions refer to the appropriate documentation here [www.longboardproducts.com/resources/technical-documentation/installation-guides](http://www.longboardproducts.com/resources/technical-documentation/installation-guides)

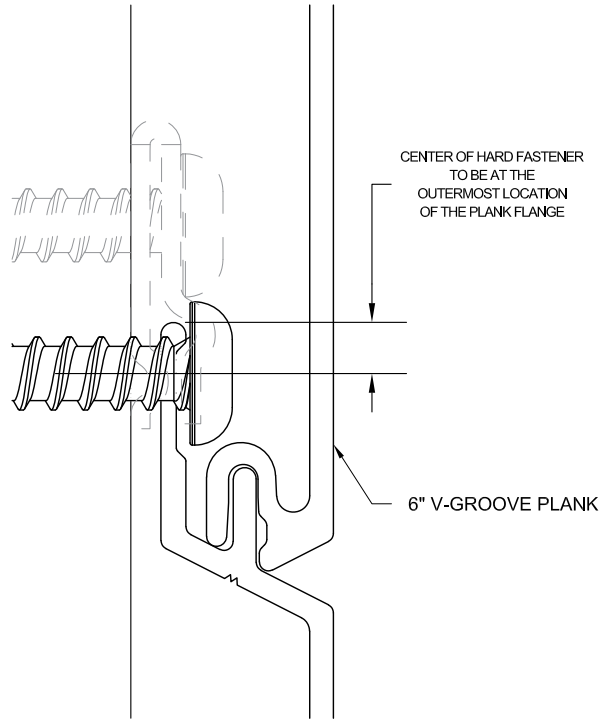
**WINDOW DETAIL**  
**T&G VERTICAL**

SCALE: AS INDICATED

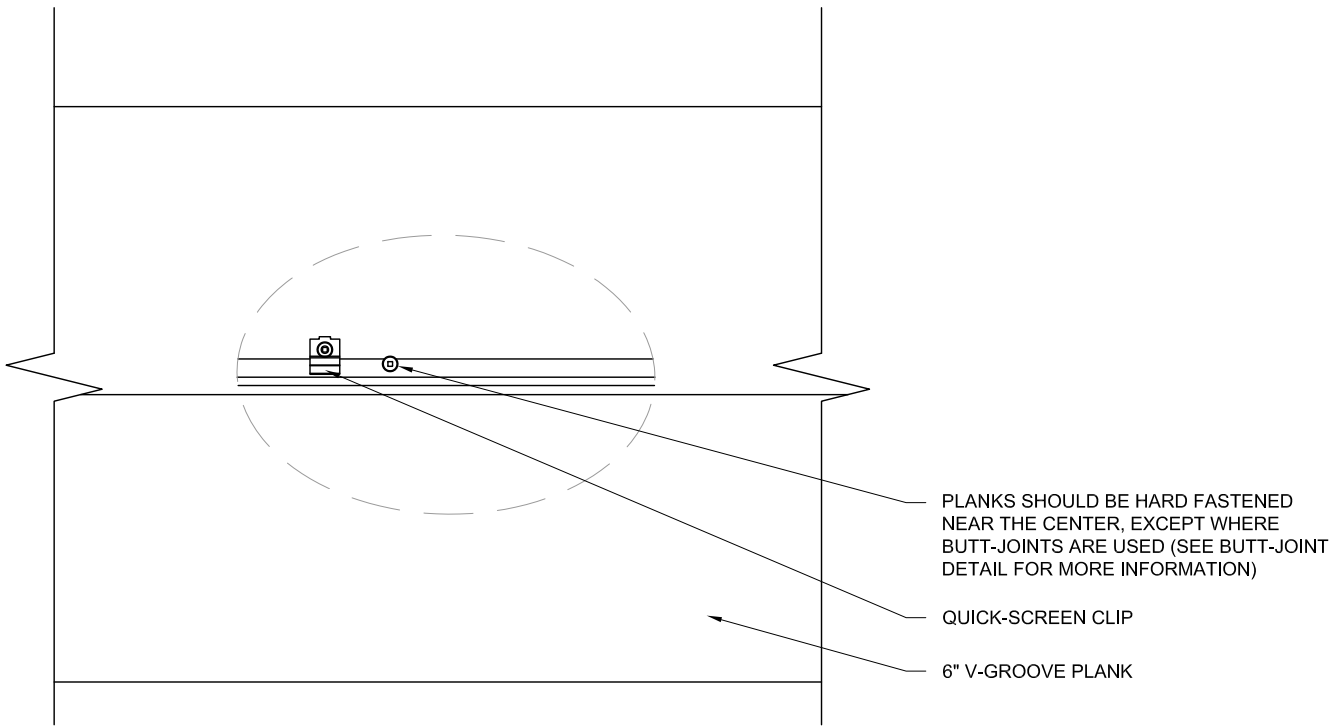




2 SECTION  
SCALE: 1:4



3 ENLARGED DETAIL  
SCALE: 2:1



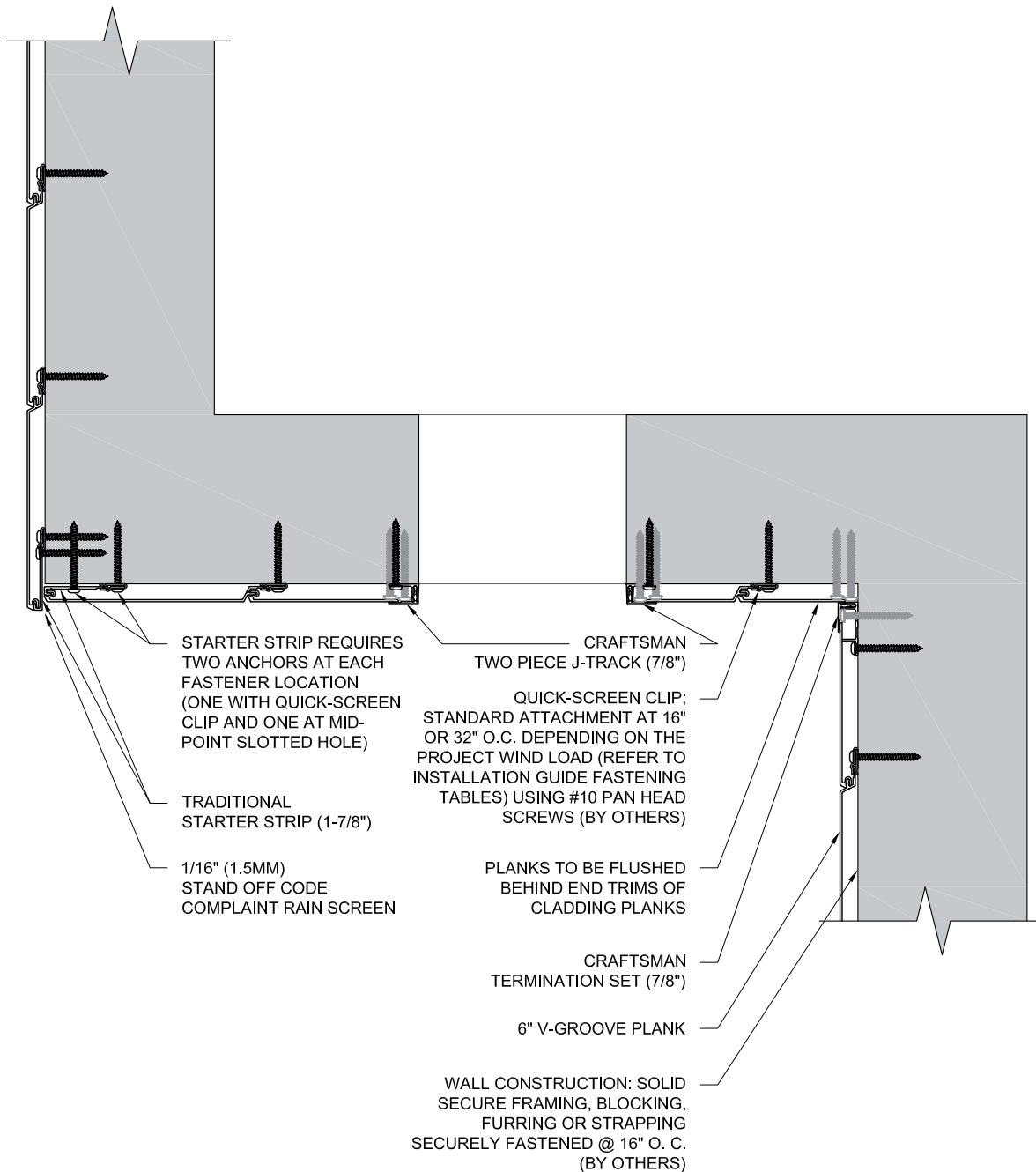
1 ELEVATION  
SCALE: 1:4

These drawings are published as an information guide only. These CAD drawings are intended as templates to assist the designer, they do not contain the full detail required for construction and must be read in conjunction with the installation instructions on [www.longboardproducts.com](http://www.longboardproducts.com). You should obtain architectural, engineering or other technical advice to assess the suitability of these drawings to the requirements of your particular project. Longboard Architectural Products accepts no liability in respect to the use of these drawings. For complete installation instructions refer to the appropriate documentation here [www.longboardproducts.com/resources/technical-documentation/installation-guides](http://www.longboardproducts.com/resources/technical-documentation/installation-guides)

## HARD FASTENING DETAIL T&G HORIZONTAL

SCALE: AS INDICATED





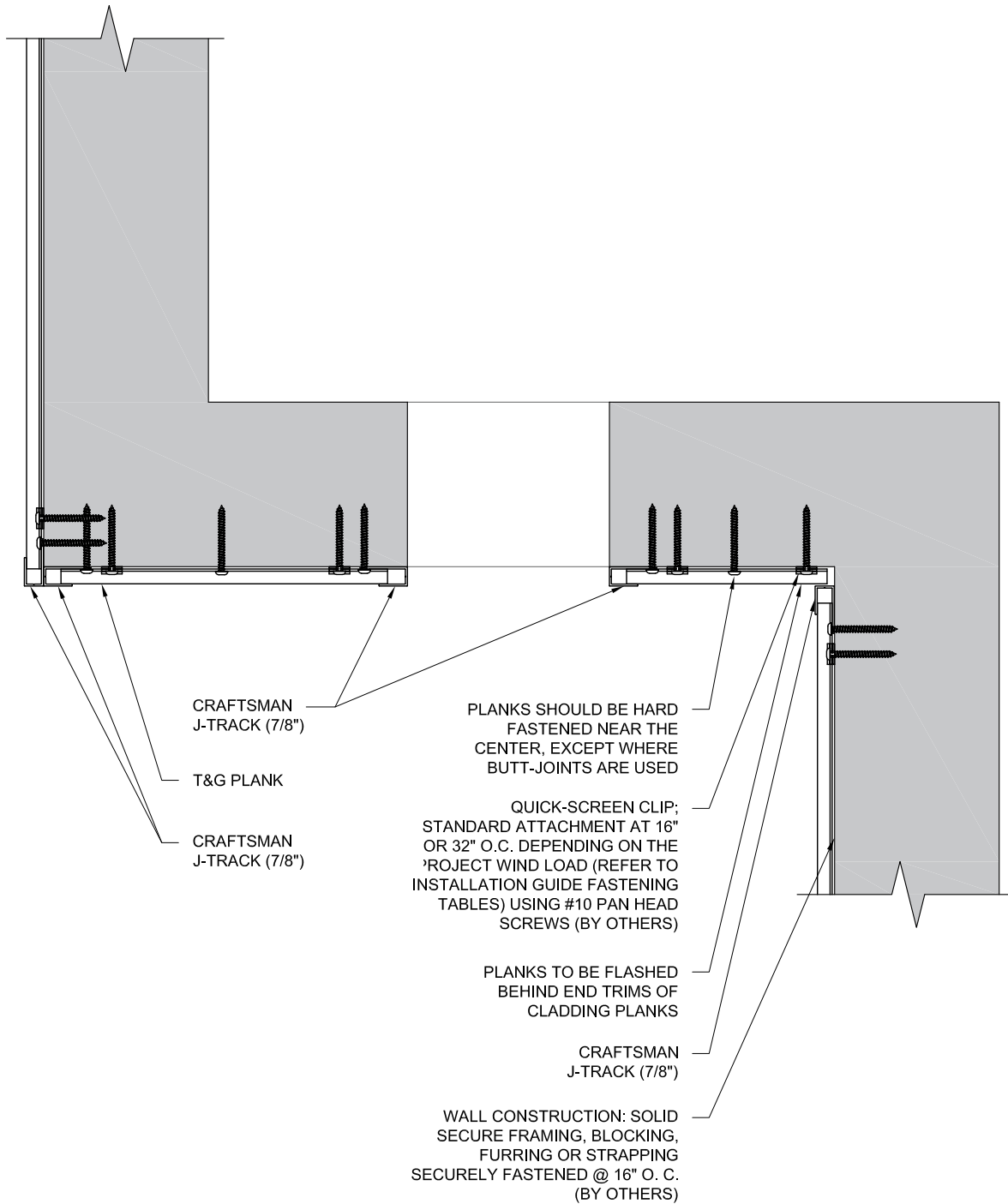
SECTION VIEW

These drawings are published as an information guide only. These CAD drawings are intended as templates to assist the designer, they do not contain the full detail required for construction and must be read in conjunction with the installation instructions on [www.longboardproducts.com](http://www.longboardproducts.com). You should obtain architectural, engineering or other technical advice to assess the suitability of these drawings to the requirements of your particular project. Longboard Architectural Products accepts no liability in respect to the use of these drawings. For complete installation instructions refer to the appropriate documentation here [www.longboardproducts.com/resources/technical-documentation/installation-guides](http://www.longboardproducts.com/resources/technical-documentation/installation-guides)

PARALLEL SOFFIT  
WITH OPENING DETAIL  
T&G HORIZONTAL  
SCALE: 1:5





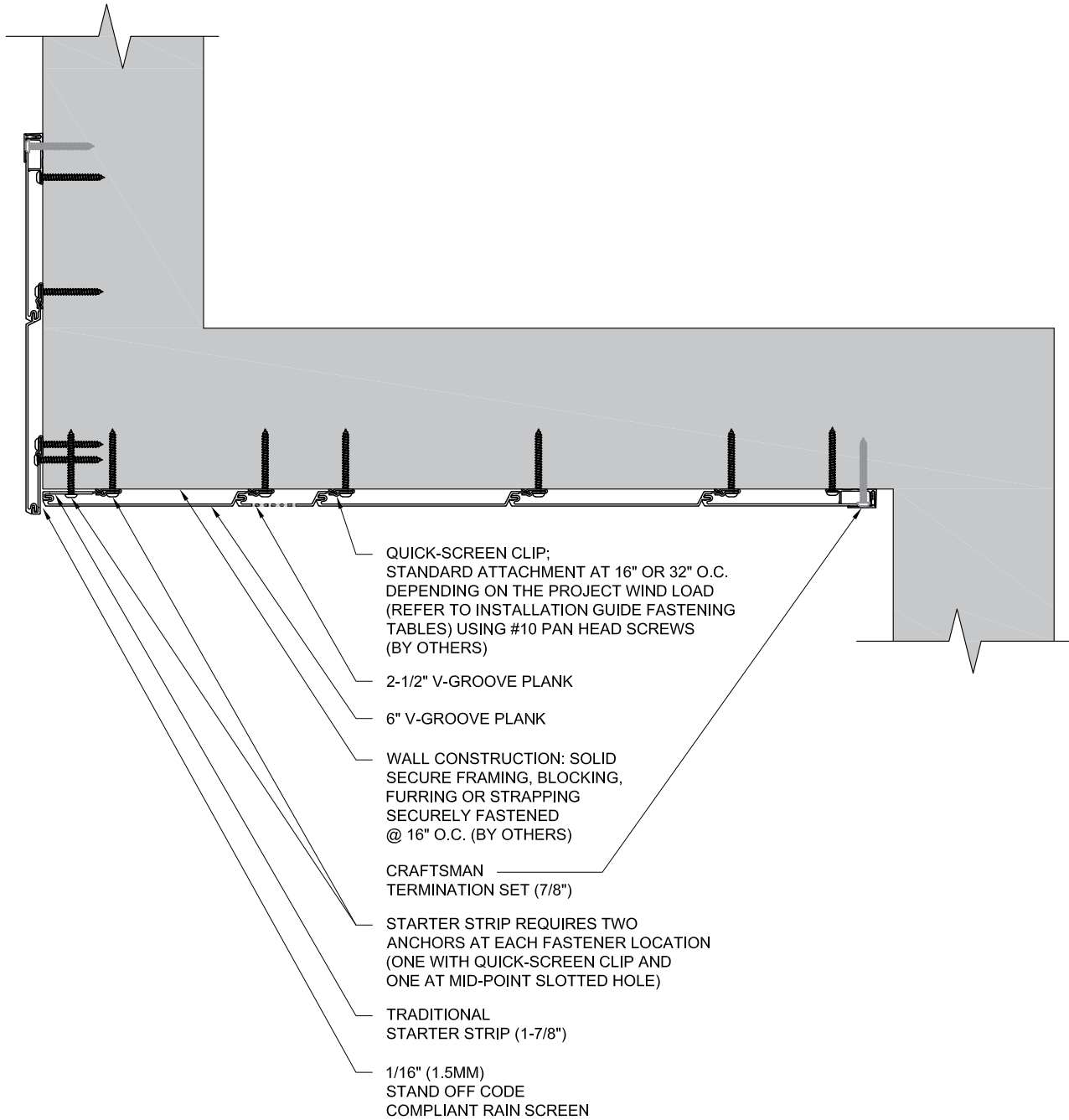


SECTION VIEW

These drawings are published as an information guide only. These CAD drawings are intended as templates to assist the designer, they do not contain the full detail required for construction and must be read in conjunction with the installation instructions on [www.longboardproducts.com](http://www.longboardproducts.com). You should obtain architectural, engineering or other technical advice to assess the suitability of these drawings to the requirements of your particular project. Longboard Architectural Products accepts no liability in respect to the use of these drawings. For complete installation instructions refer to the appropriate documentation here [www.longboardproducts.com/resources/technical-documentation/installation-guides](http://www.longboardproducts.com/resources/technical-documentation/installation-guides)

PERPENDICULAR SOFFIT  
WITH OPENING DETAIL  
T&G VERTICAL  
SCALE: 1:5





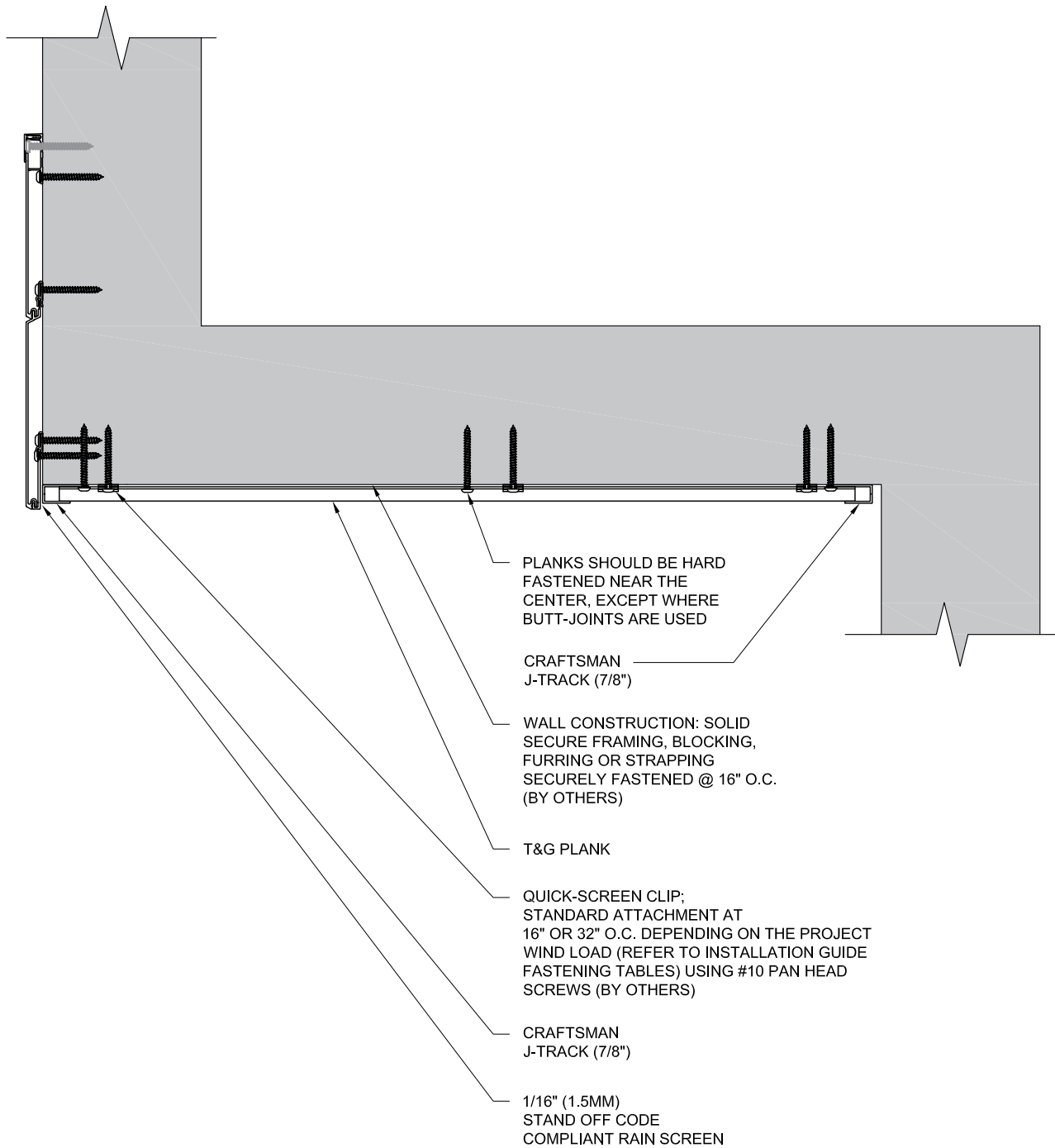
SECTION VIEW

\* FOR DRIP EDGE CONDITION: STARTER STRIP REQUIRES TWO ANCHORS AT EACH FASTENER LOCATION (ONE WITH QUICK-SCREEN CLIP AND ONE AT TOP-POINT SLOTTED HOLE)

These drawings are published as an information guide only. These CAD drawings are intended as templates to assist the designer, they do not contain the full detail required for construction and must be read in conjunction with the installation instructions on [www.longboardproducts.com](http://www.longboardproducts.com). You should obtain architectural, engineering or other technical advice to assess the suitability of these drawings to the requirements of your particular project. Longboard Architectural Products accepts no liability in respect to the use of these drawings. For complete installation instructions refer to the appropriate documentation here [www.longboardproducts.com/resources/technical-documentation/installation-guides](http://www.longboardproducts.com/resources/technical-documentation/installation-guides)

PARALLEL SOFFIT  
 WITH DRIP EDGE DETAIL  
 T&G HORIZONTAL  
 SCALE: 1:5





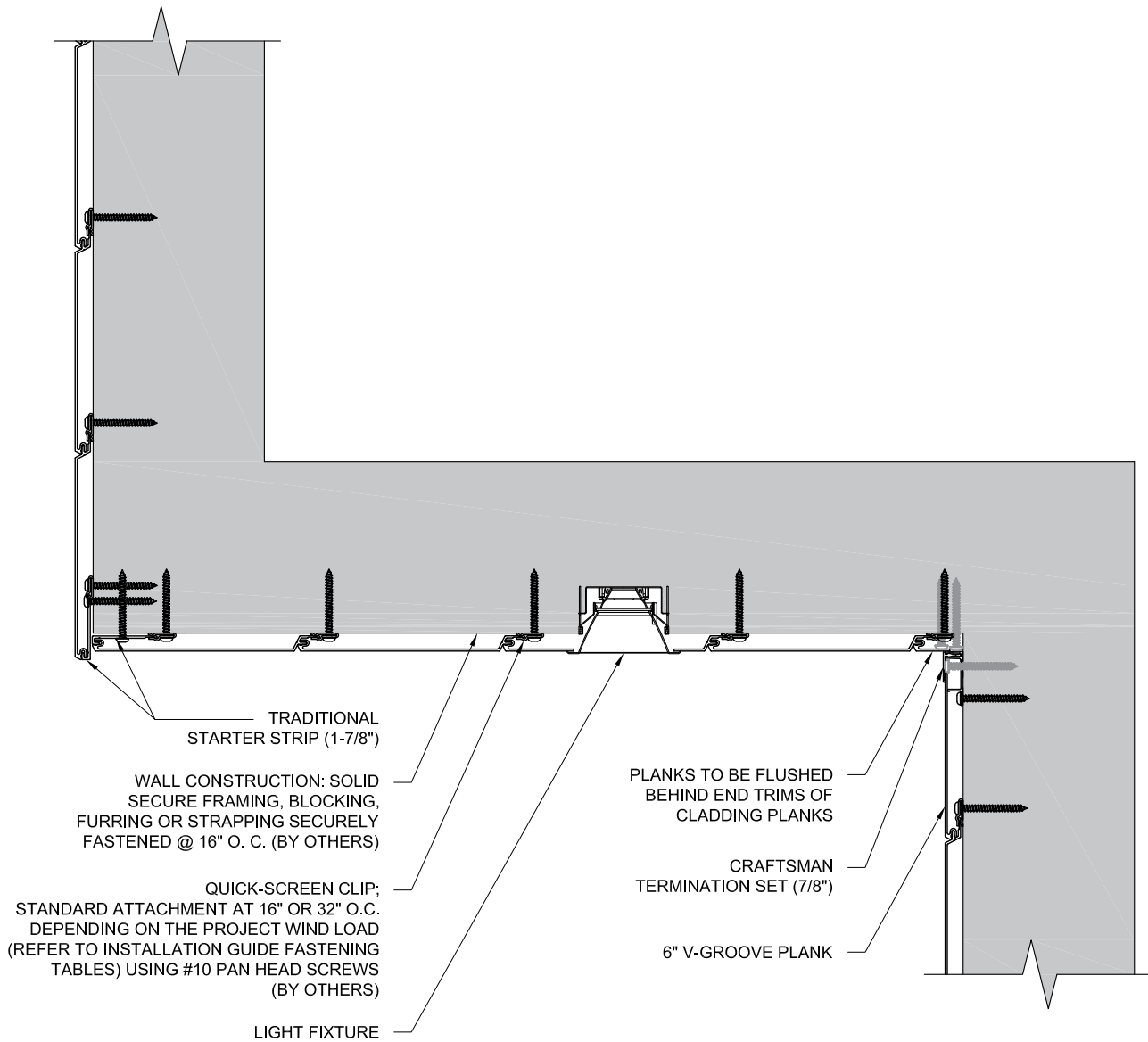
SECTION VIEW

\* FOR DRIP EDGE CONDITION: STARTER STRIP REQUIRES TWO ANCHORS AT EACH FASTENER LOCATION (ONE WITH QUICK-SCREEN CLIP AND ONE AT TOP-POINT SLOTTED HOLE)

These drawings are published as an information guide only. These CAD drawings are intended as templates to assist the designer, they do not contain the full detail required for construction and must be read in conjunction with the installation instructions on [www.longboardproducts.com](http://www.longboardproducts.com). You should obtain architectural, engineering or other technical advice to assess the suitability of these drawings to the requirements of your particular project. Longboard Architectural Products accepts no liability in respect to the use of these drawings. For complete installation instructions refer to the appropriate documentation here [www.longboardproducts.com/resources/technical-documentation/installation-guides](http://www.longboardproducts.com/resources/technical-documentation/installation-guides)

PERPENDICULAR SOFFIT  
WITH DRIP EDGE DETAIL  
T&G HORIZONTAL  
SCALE: 1:5



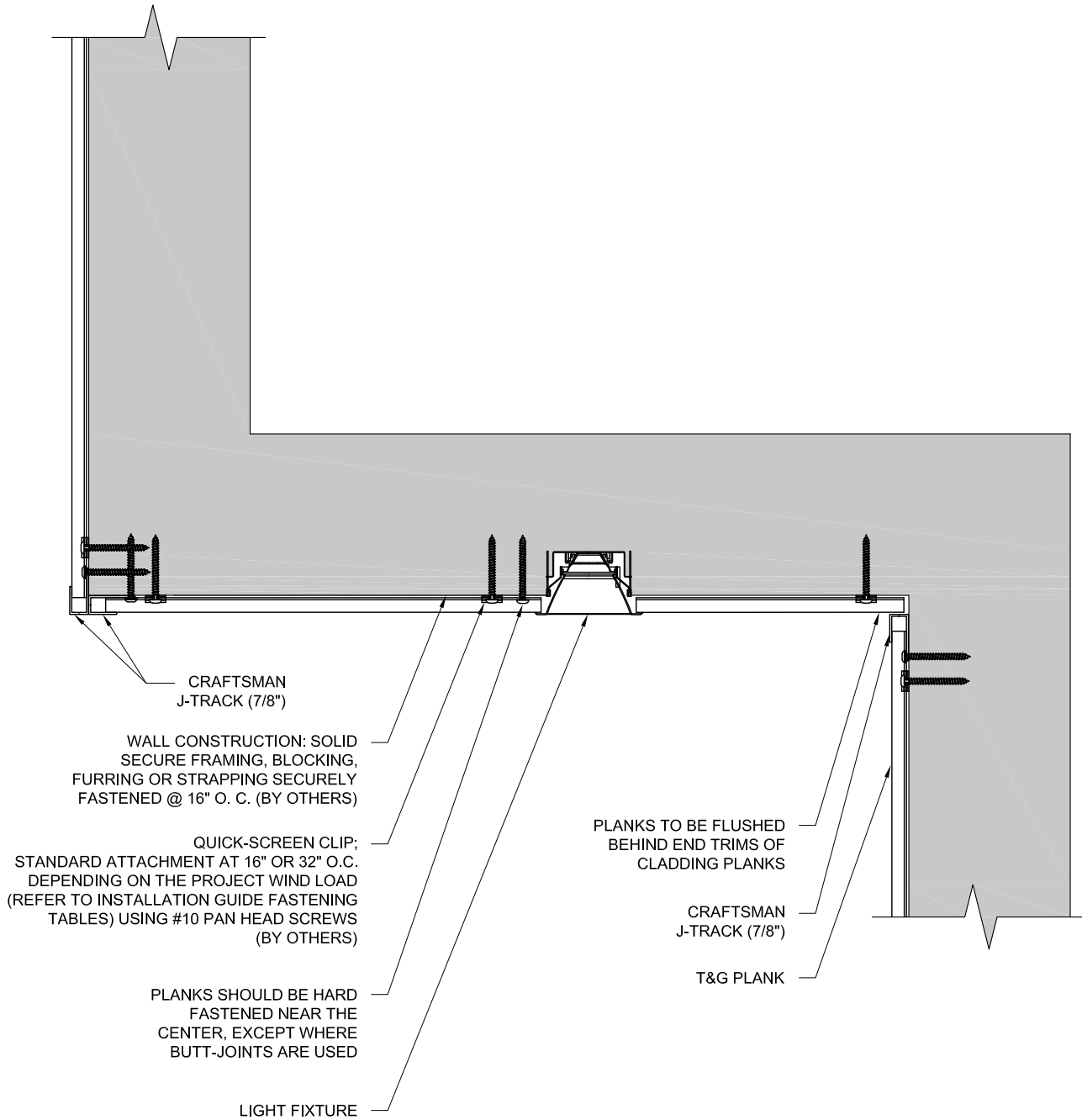


SECTION VIEW

These drawings are published as an information guide only. These CAD drawings are intended as templates to assist the designer, they do not contain the full detail required for construction and must be read in conjunction with the installation instructions on [www.longboardproducts.com](http://www.longboardproducts.com). You should obtain architectural, engineering or other technical advice to assess the suitability of these drawings to the requirements of your particular project. Longboard Architectural Products accepts no liability in respect to the use of these drawings. For complete installation instructions refer to the appropriate documentation here [www.longboardproducts.com/resources/technical-documentation/installation-guides](http://www.longboardproducts.com/resources/technical-documentation/installation-guides)

PARALLEL SOFFIT  
WITH LIGHT FIXTURE DETAIL  
T&G HORIZONTAL  
SCALE: 1:5



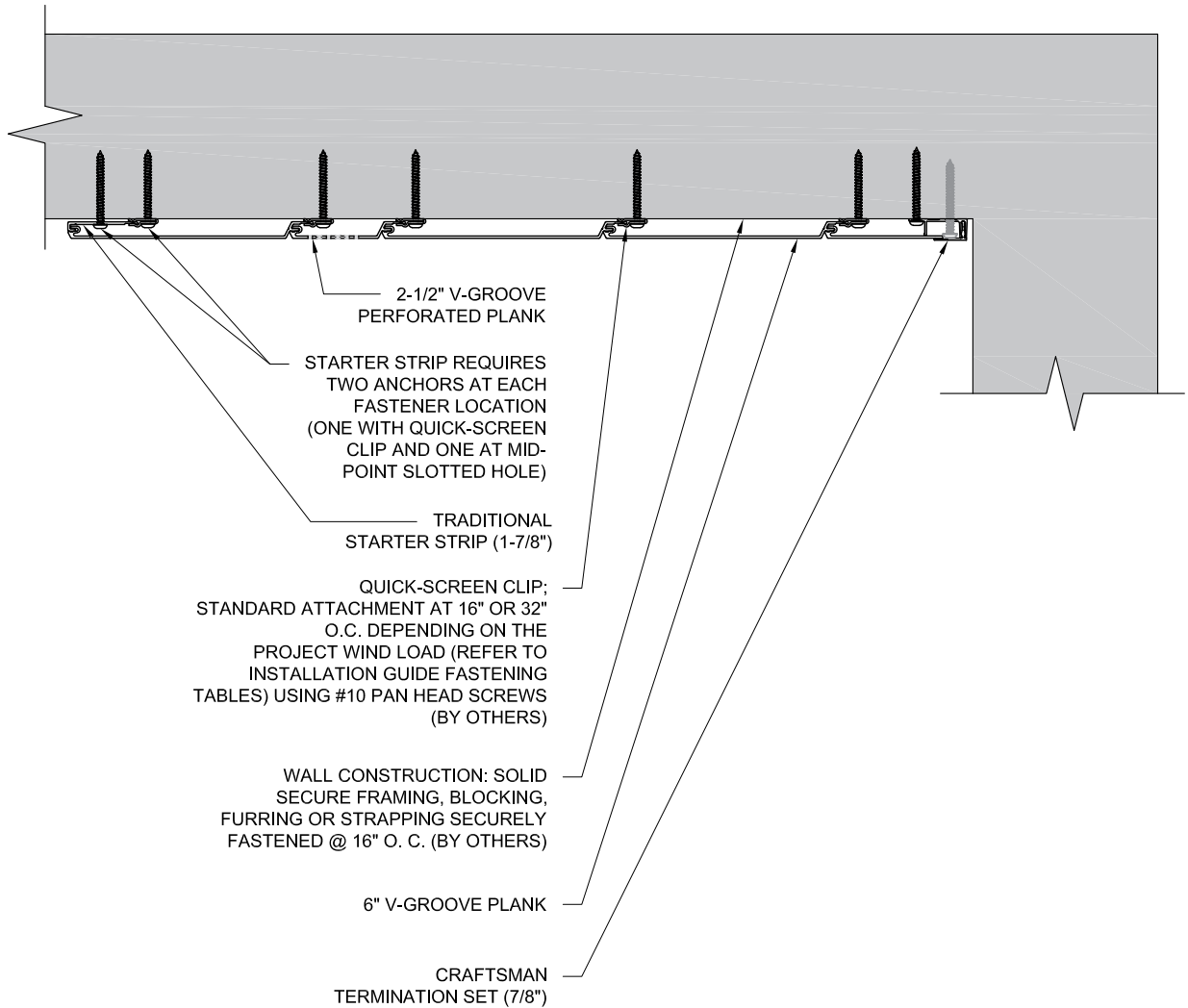


SECTION VIEW

PERPENDICULAR SOFFIT  
WITH LIGHT FIXTURE DETAIL  
T&G VERTICAL  
SCALE: 1:5

These drawings are published as an information guide only. These CAD drawings are intended as templates to assist the designer, they do not contain the full detail required for construction and must be read in conjunction with the installation instructions on [www.longboardproducts.com](http://www.longboardproducts.com). You should obtain architectural, engineering or other technical advice to assess the suitability of these drawings to the requirements of your particular project. Longboard Architectural Products accepts no liability in respect to the use of these drawings. For complete installation instructions refer to the appropriate documentation here [www.longboardproducts.com/resources/technical-documentation/installation-guides](http://www.longboardproducts.com/resources/technical-documentation/installation-guides)



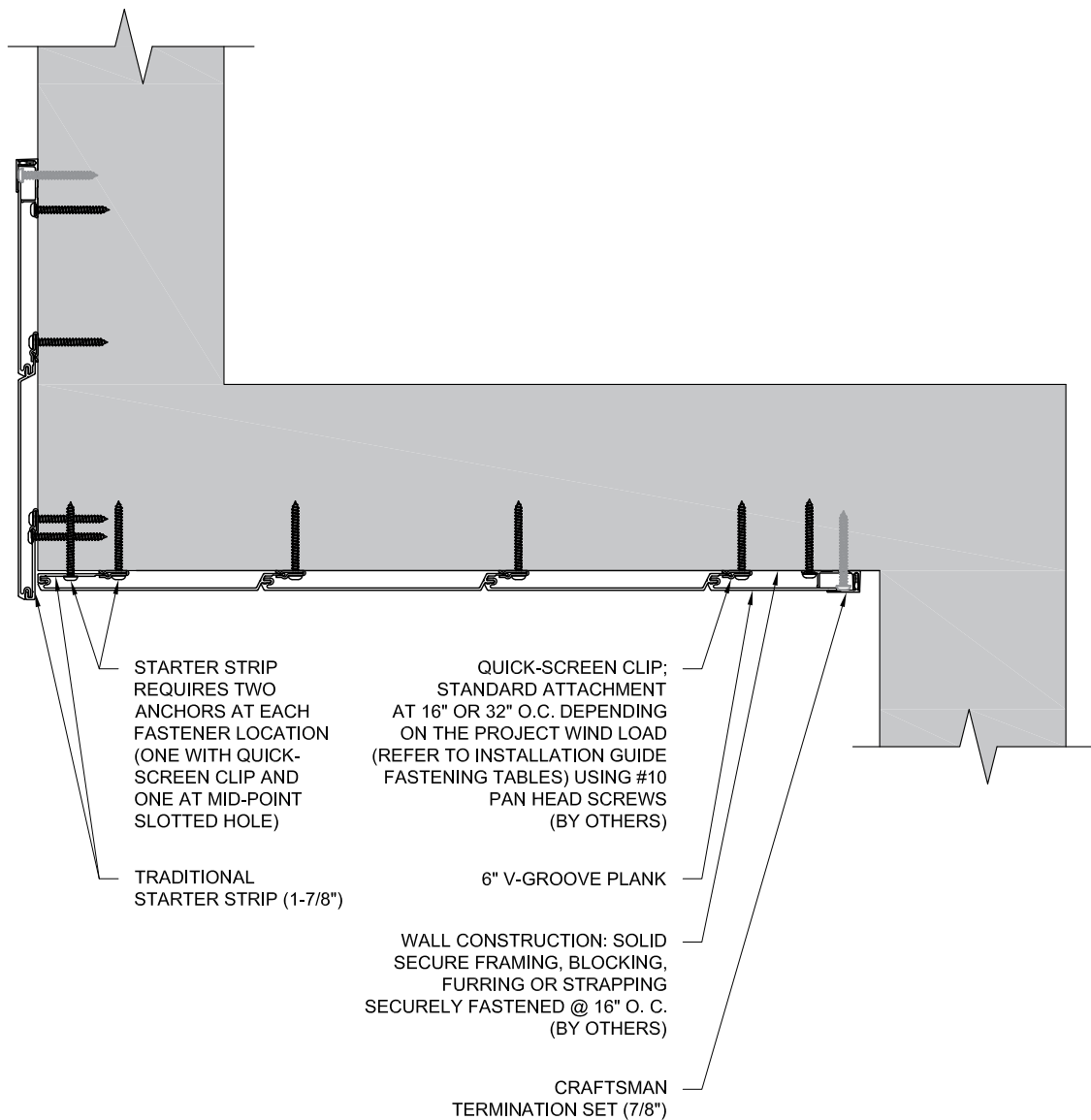


SECTION VIEW

These drawings are published as an information guide only. These CAD drawings are intended as templates to assist the designer, they do not contain the full detail required for construction and must be read in conjunction with the installation instructions on [www.longboardproducts.com](http://www.longboardproducts.com). You should obtain architectural, engineering or other technical advice to assess the suitability of these drawings to the requirements of your particular project. Longboard Architectural Products accepts no liability in respect to the use of these drawings. For complete installation instructions refer to the appropriate documentation here [www.longboardproducts.com/resources/technical-documentation/installation-guides](http://www.longboardproducts.com/resources/technical-documentation/installation-guides)

2-1/2" PERFORATED PLANK  
PARALLEL SOFFIT DETAIL  
T&G  
SCALE: 1:5





SECTION VIEW

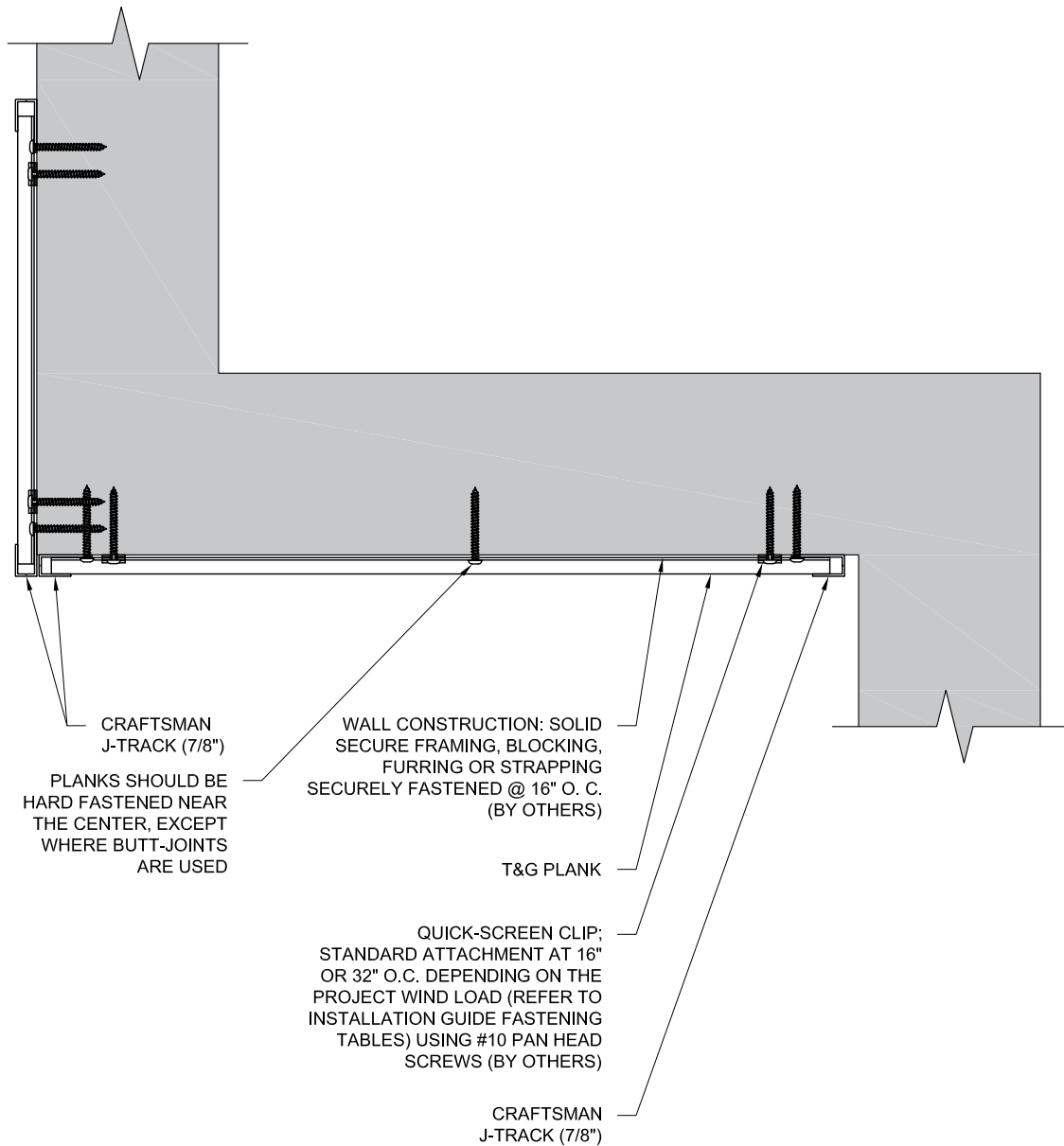
These drawings are published as an information guide only. These CAD drawings are intended as templates to assist the designer, they do not contain the full detail required for construction and must be read in conjunction with the installation instructions on [www.longboardproducts.com](http://www.longboardproducts.com). You should obtain architectural, engineering or other technical advice to assess the suitability of these drawings to the requirements of your particular project.

Longboard Architectural Products accepts no liability in respect to the use of these drawings. For complete installation instructions refer to the appropriate documentation here [www.longboardproducts.com/resources/technical-documentation/installation-guides](http://www.longboardproducts.com/resources/technical-documentation/installation-guides)

## PARALLEL SOFFIT TO FASCIA TRANSITION DETAIL - T&G

SCALE: 1:5





SECTION VIEW

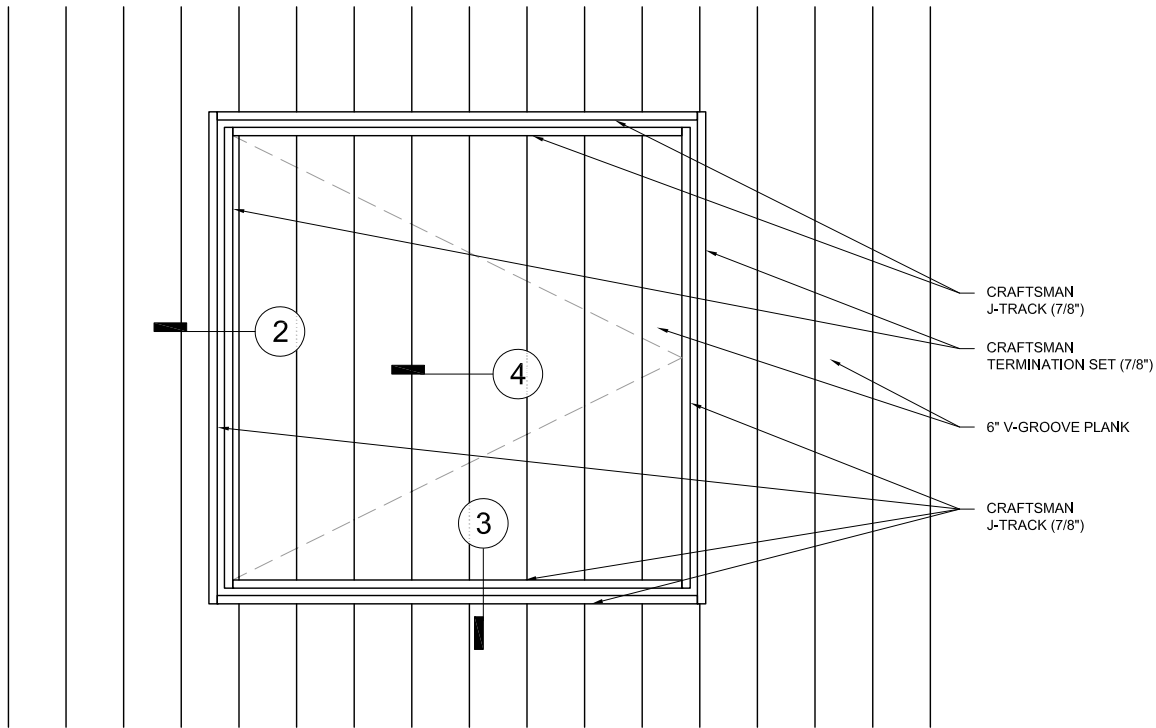
These drawings are published as an information guide only. These CAD drawings are intended as templates to assist the designer, they do not contain the full detail required for construction and must be read in conjunction with the installation instructions on [www.longboardproducts.com](http://www.longboardproducts.com). You should obtain architectural, engineering or other technical advice to assess the suitability of these drawings to the requirements of your particular project. Longboard Architectural Products accepts no liability in respect to the use of these drawings. For complete installation instructions refer to the appropriate documentation here [www.longboardproducts.com/resources/technical-documentation/installation-guides](http://www.longboardproducts.com/resources/technical-documentation/installation-guides)

PERPENDICULAR SOFFIT TO FASCIA  
TRANSITION DETAIL - T&G

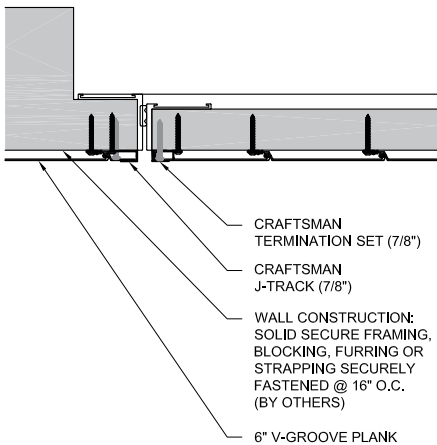
SCALE: 1:5



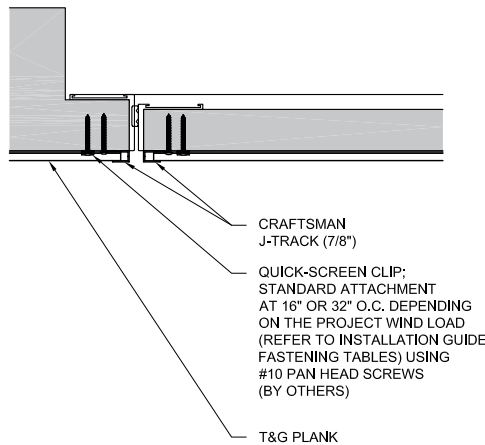




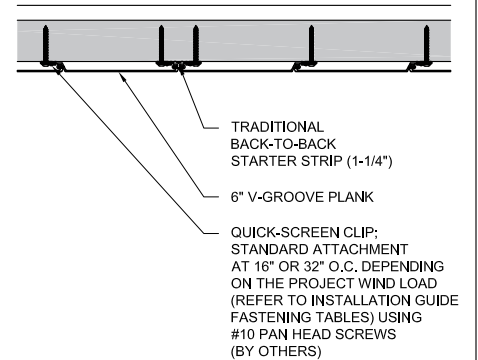
**1 SOFFIT ACCESS PANEL**  
SCALE: 1:20



**2 SECTION DETAIL**  
SCALE: 1:10



**3 SECTION DETAIL**  
SCALE: 1:10



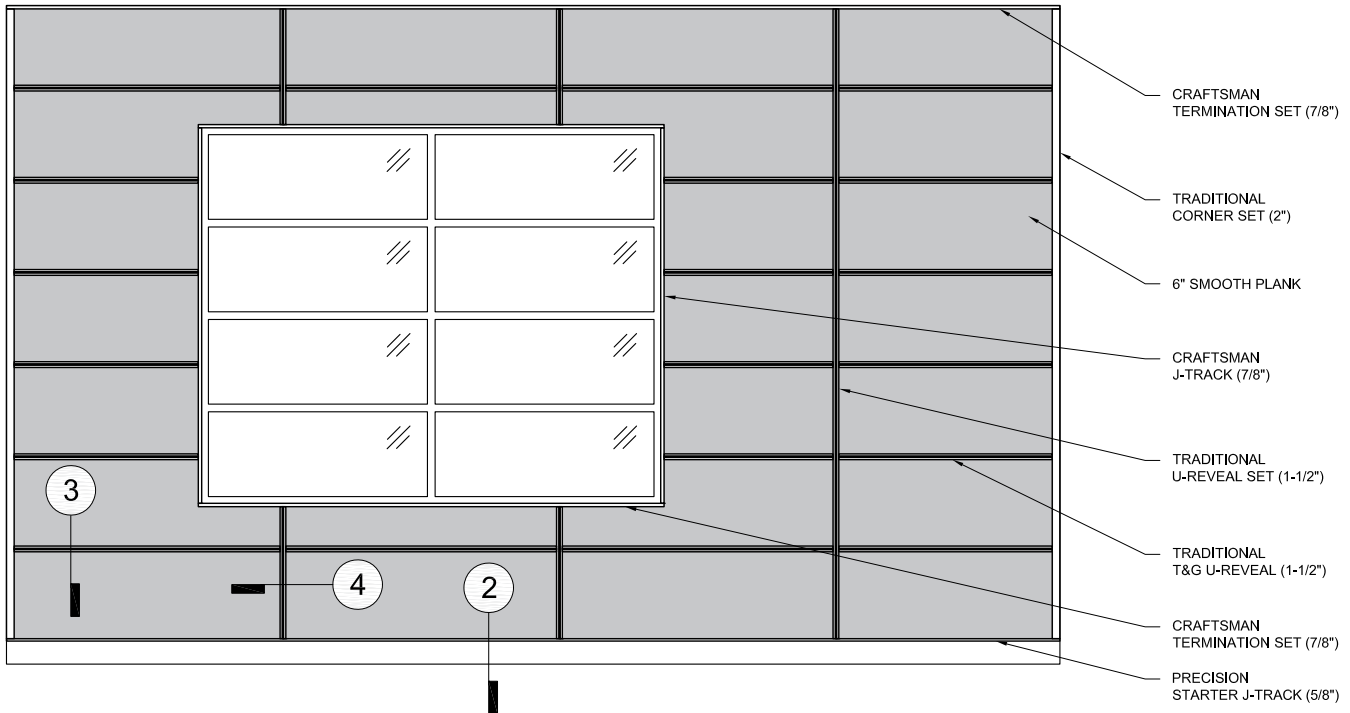
**4 BACK-TO-BACK STARTER STRIP DETAIL**  
SCALE: 1:10

These drawings are published as an information guide only. These CAD drawings are intended as templates to assist the designer, they do not contain the full detail required for construction and must be read in conjunction with the installation instructions on [www.longboardproducts.com](http://www.longboardproducts.com). You should obtain architectural, engineering or other technical advice to assess the suitability of these drawings to the requirements of your particular project. Longboard Architectural Products accepts no liability in respect to the use of these drawings. For complete installation instructions refer to the appropriate documentation here [www.longboardproducts.com/resources/technical-documentation/installation-guides](http://www.longboardproducts.com/resources/technical-documentation/installation-guides)

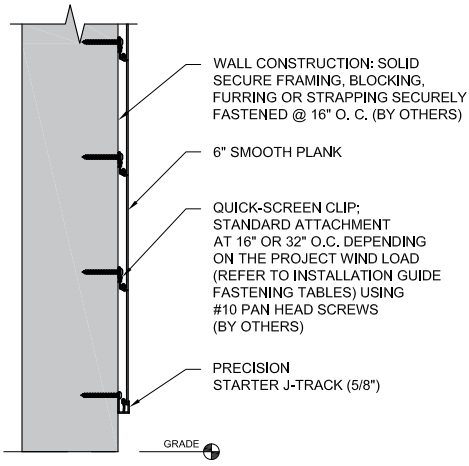
## SOFFIT ACCESS PANEL DETAIL - T&G

SCALE: AS INDICATED

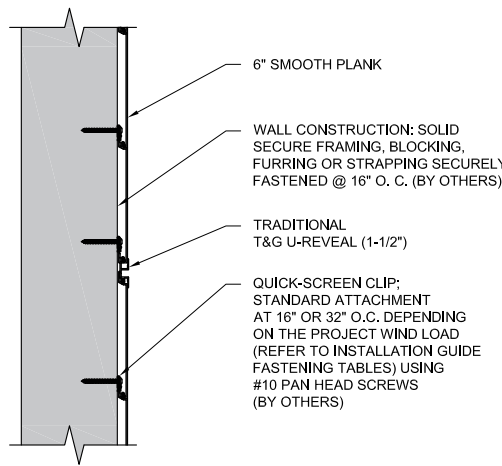




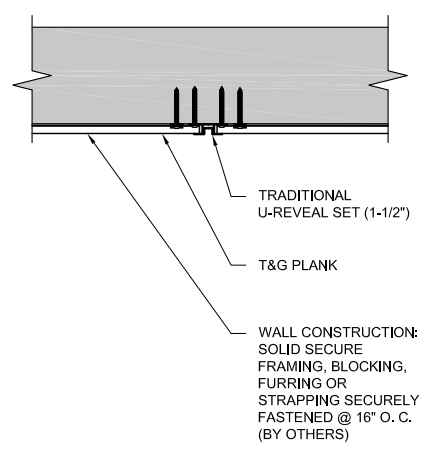
**1 ELEVATION**  
SCALE: 1:50



**2 PRECISION STARTER J-TRACK DETAIL**  
SCALE: 1:10



**3 TRADITIONAL T&G U-REVEAL DETAIL**  
SCALE: 1:10



**4 TRADITIONAL U-REVEAL SET DETAIL**  
SCALE: 1:10

These drawings are published as an information guide only. These CAD drawings are intended as templates to assist the designer, they do not contain the full detail required for construction and must be read in conjunction with the installation instructions on [www.longboardproducts.com](http://www.longboardproducts.com). You should obtain architectural, engineering or other technical advice to assess the suitability of these drawings to the requirements of your particular project. Longboard Architectural Products accepts no liability in respect to the use of these drawings. For complete installation instructions refer to the appropriate documentation here [www.longboardproducts.com/resources/technical-documentation/installation-guides](http://www.longboardproducts.com/resources/technical-documentation/installation-guides)

**6" SMOOTH PLANK  
(PANELBOARD™) DETAIL  
T&G HORIZONTAL  
SCALE: AS INDICATED**

