

## INTERIOR T&G TYPICAL DRAWINGS

### TABLE OF CONTENT

(Click on the drawing name below to be directed to the right profile)

[BOTTOM OF WALL DETAIL - HORIZONTAL T&G](#)

[BOTTOM OF WALL DETAIL - VERTICAL T&G](#)

[MIDDLE OF WALL DETAIL - HORIZONTAL T&G](#)

[MIDDLE OF WALL DETAIL - VERTICAL T&G](#)

[TOP OF WALL DETAIL - HORIZONTAL T&G](#)

[TOP OF WALL DETAIL - VERTICAL T&G](#)

[TOP OF WALL WITH TWO PIECE J-TRACK DETAIL - HORIZONTAL T&G](#)

[TOP OF WALL WITH TWO PIECE J-TRACK DETAIL - VERTICAL T&G](#)

[OUTSIDE CORNER SET DETAIL - HORIZONTAL T&G](#)

[OUTSIDE CORNER WITH CRAFTSMAN OUTSIDE CORNER DETAIL - HORIZONTAL T&G](#)

[OUTSIDE CORNER SET DETAIL - VERTICAL T&G](#)

[INSIDE CORNER SET DETAIL - HORIZONTAL T&G](#)

[INSIDE CORNER WITH CRAFTSMAN INSIDE CORNER DETAIL - HORIZONTAL T&G](#)

[INSIDE CORNER SET DETAIL - VERTICAL T&G](#)

[TRADITIONAL BACK-TO-BACK STARTER STRIP DETAIL - VERTICAL T&G](#)

[TRADITIONAL FLAT REVEAL SET DETAIL - HORIZONTAL T&G](#)

[WRAP AROUND COLUMN WITH REVEAL SET DETAIL - VERTICAL T&G](#)

[NON 90 DEGREE OUTSIDE CORNER DETAIL - HORIZONTAL T&G](#)

[NON 90 DEGREE OUTSIDE CORNER DETAIL - VERTICAL T&G](#)

[NON 90 DEGREE INSIDE CORNER DETAIL - HORIZONTAL T&G](#)

[NON 90 DEGREE INSIDE CORNER DETAIL - VERTICAL T&G](#)

[WALL TO CEILING TRANSITION DETAIL - VERTICAL T&G](#)

[WALL TO CEILING TRANSITION DETAIL - HORIZONTAL T&G](#)

[SINGLE BUTT-JOINT DETAIL - HORIZONTAL T&G](#)

[MULTIPLE BUTT-JOINTS DETAIL - HORIZONTAL T&G](#)

[WINDOW DETAIL - HORIZONTAL T&G](#)

[WINDOW DETAIL - VERTICAL T&G](#)

[HARD FASTENING DETAIL - HORIZONTAL T&G](#)

[CEILING WITH OPENING DETAIL - T&G](#)

[CEILING WITH LIGHT FIXTURE DETAIL - T&G](#)

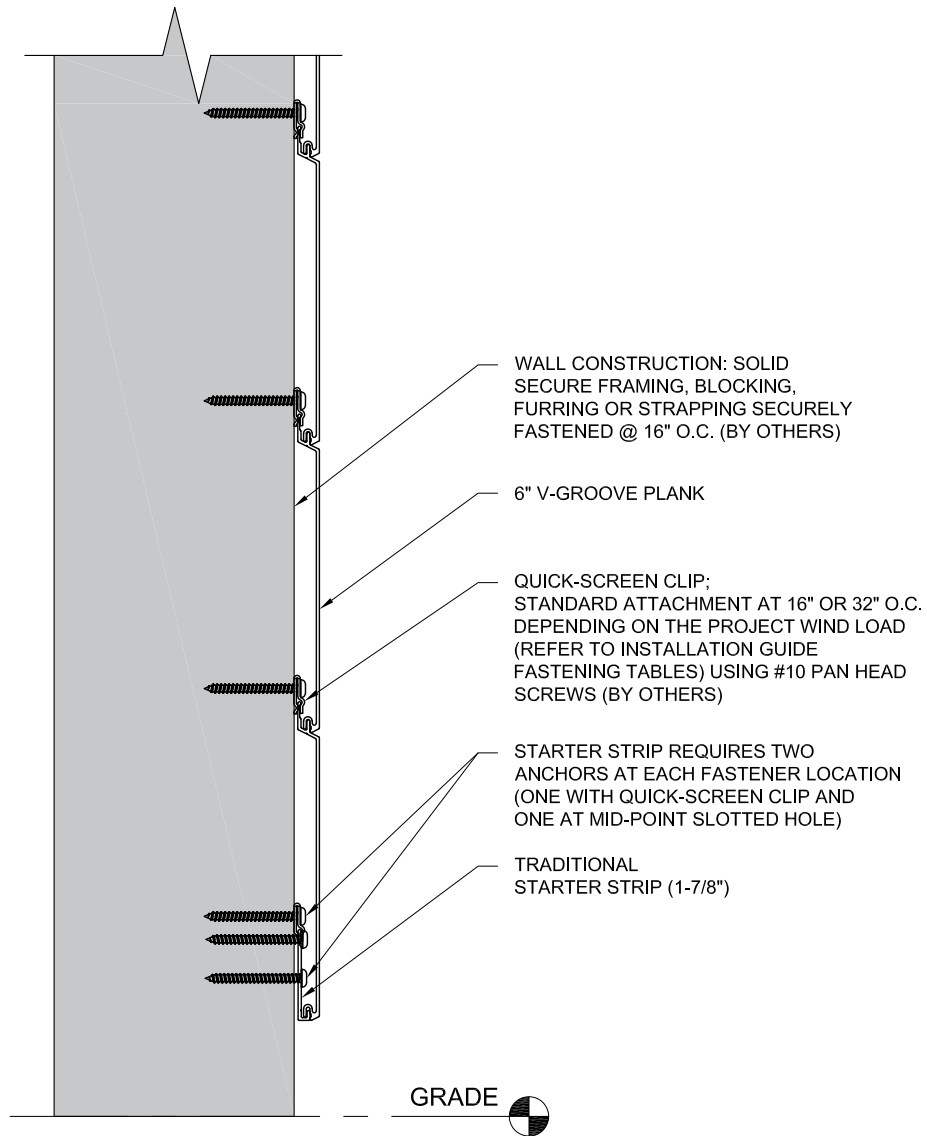
[CEILING WITH FIRE SPRINKLER DETAIL - T&G](#)

[2.5 IN PERFORATED PLANK CEILING DETAIL - T&G](#)

[6 IN V-GROOVE PERFORATED PLANK WITH SOUNDTEX<sup>®</sup> DETAIL - T&G](#)

[CEILING ACCESS PANEL DETAIL - T&G](#)

[6" SMOOTH PLANKS \(PANELBOARD<sup>™</sup>\) DETAIL - HORIZONTAL T&G](#)



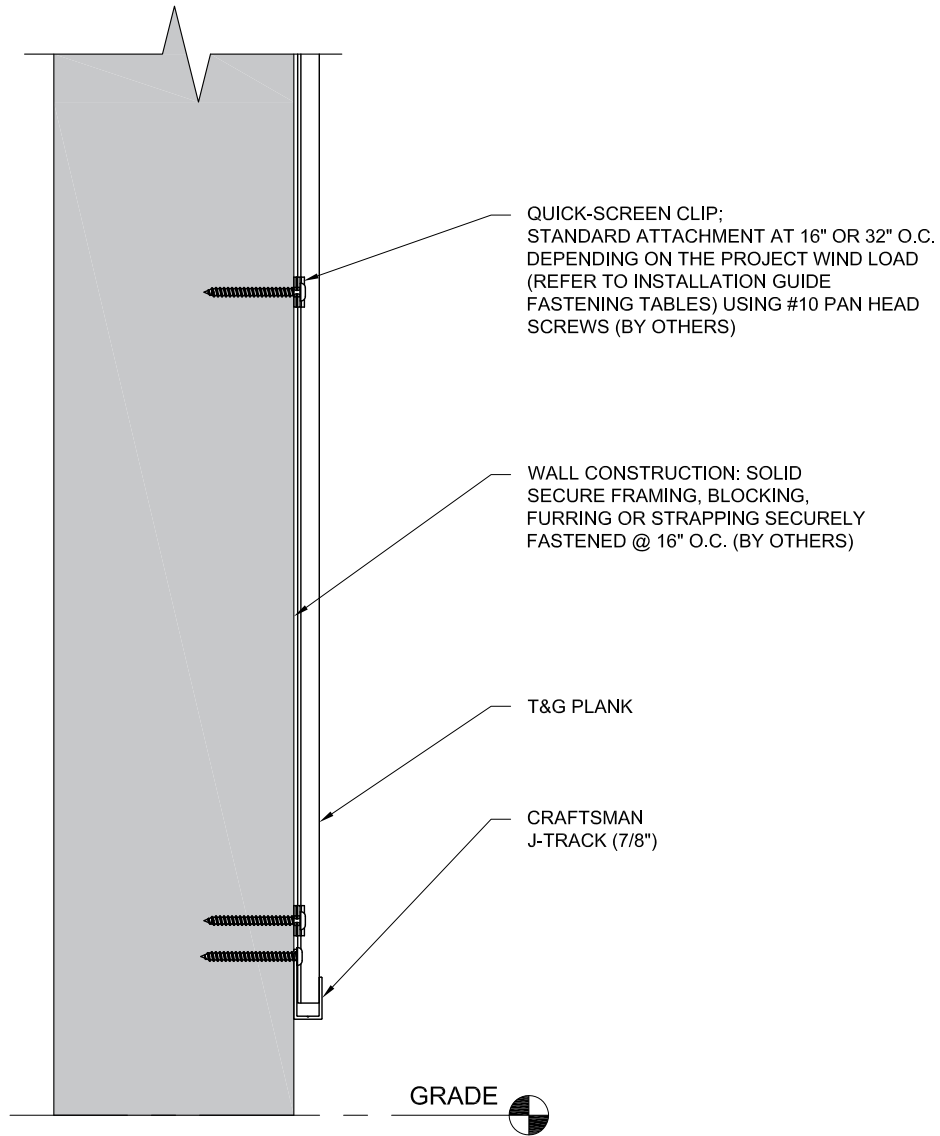
SECTION VIEW

These drawings are published as an information guide only. These CAD drawings are intended as templates to assist the designer, they do not contain the full detail required for construction and must be read in conjunction with the installation instructions on [www.longboardproducts.com](http://www.longboardproducts.com). You should obtain architectural, engineering or other technical advice to assess the suitability of these drawings to the requirements of your particular project. Longboard Architectural Products accepts no liability in respect to the use of these drawings. For complete installation instructions refer to the appropriate documentation here [www.longboardproducts.com/resources/technical-documentation/installation-guides](http://www.longboardproducts.com/resources/technical-documentation/installation-guides)

## BOTTOM OF WALL DETAIL T&G HORIZONTAL

SCALE: 1:4





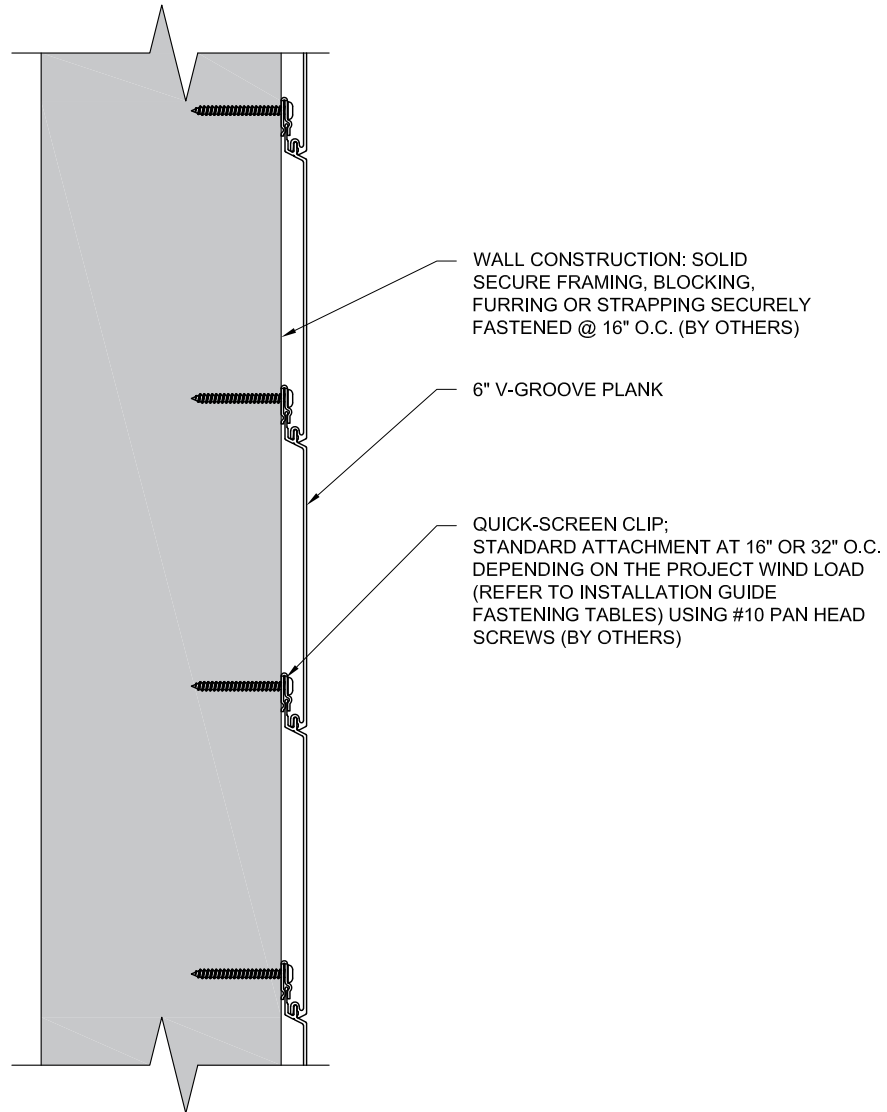
SECTION VIEW

These drawings are published as an information guide only. These CAD drawings are intended as templates to assist the designer, they do not contain the full detail required for construction and must be read in conjunction with the installation instructions on [www.longboardproducts.com](http://www.longboardproducts.com). You should obtain architectural, engineering or other technical advice to assess the suitability of these drawings to the requirements of your particular project. Longboard Architectural Products accepts no liability in respect to the use of these drawings. For complete installation instructions refer to the appropriate documentation here [www.longboardproducts.com/resources/technical-documentation/installation-guides](http://www.longboardproducts.com/resources/technical-documentation/installation-guides)

## BOTTOM OF WALL DETAIL T&G VERTICAL

SCALE: 1:4





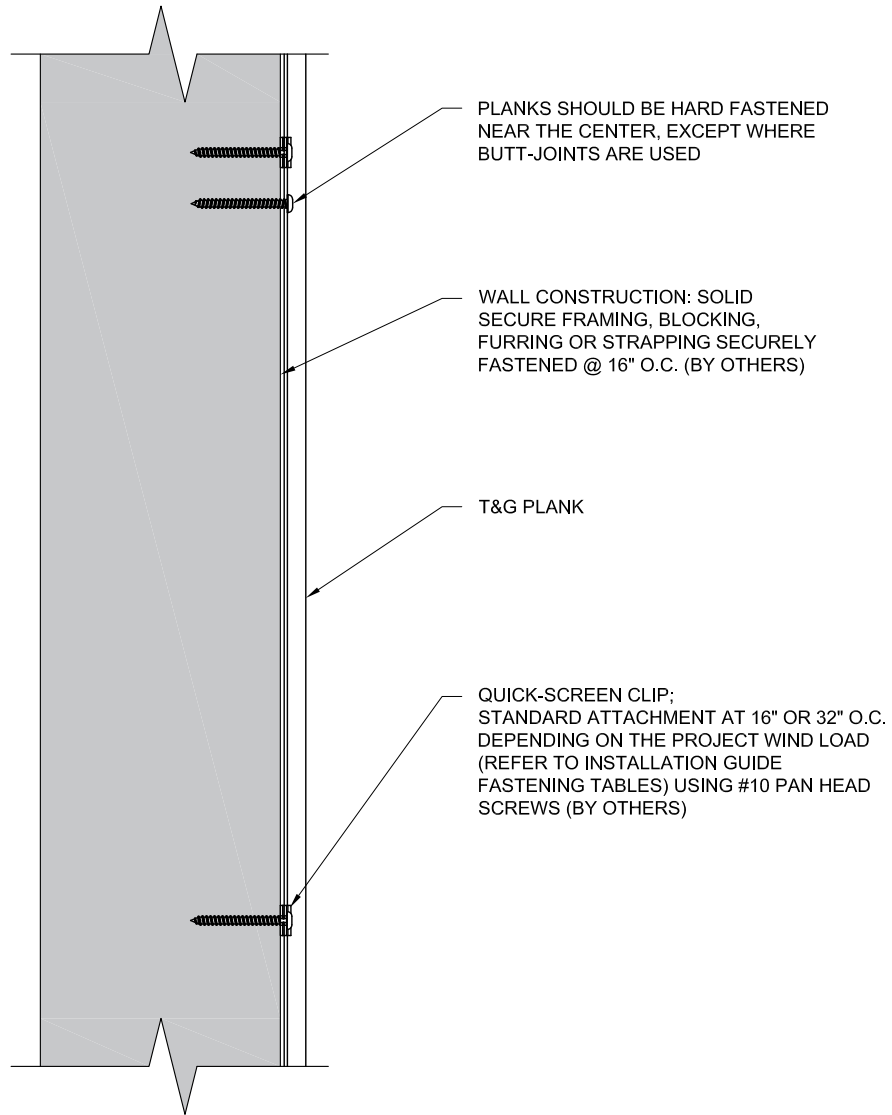
SECTION VIEW

These drawings are published as an information guide only. These CAD drawings are intended as templates to assist the designer, they do not contain the full detail required for construction and must be read in conjunction with the installation instructions on [www.longboardproducts.com](http://www.longboardproducts.com). You should obtain architectural, engineering or other technical advice to assess the suitability of these drawings to the requirements of your particular project. Longboard Architectural Products accepts no liability in respect to the use of these drawings. For complete installation instructions refer to the appropriate documentation here [www.longboardproducts.com/resources/technical-documentation/installation-guides](http://www.longboardproducts.com/resources/technical-documentation/installation-guides)

## MIDDLE OF WALL DETAIL T&G HORIZONTAL

SCALE: 1:4





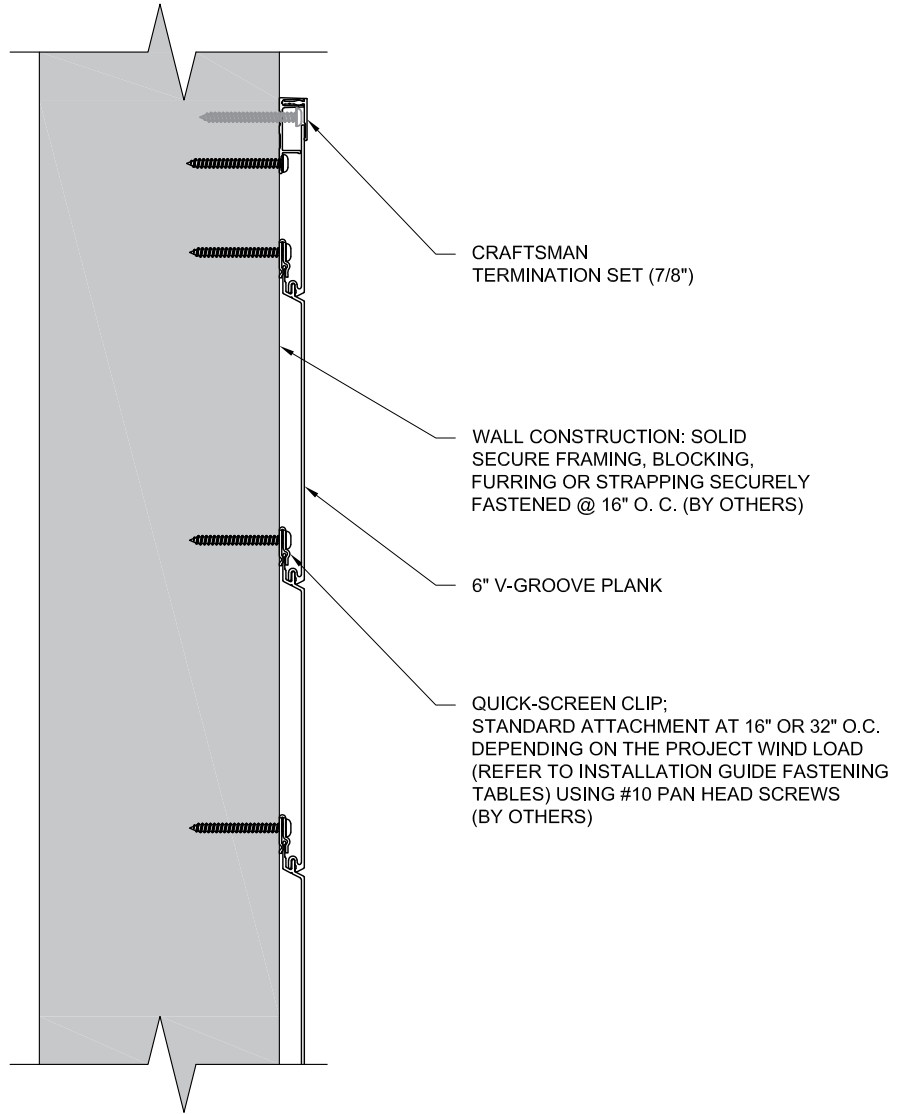
SECTION VIEW

MIDDLE OF WALL DETAIL  
T&G VERTICAL

SCALE: 1:4

These drawings are published as an information guide only. These CAD drawings are intended as templates to assist the designer, they do not contain the full detail required for construction and must be read in conjunction with the installation instructions on [www.longboardproducts.com](http://www.longboardproducts.com). You should obtain architectural, engineering or other technical advice to assess the suitability of these drawings to the requirements of your particular project. Longboard Architectural Products accepts no liability in respect to the use of these drawings. For complete installation instructions refer to the appropriate documentation here [www.longboardproducts.com/resources/technical-documentation/installation-guides](http://www.longboardproducts.com/resources/technical-documentation/installation-guides)





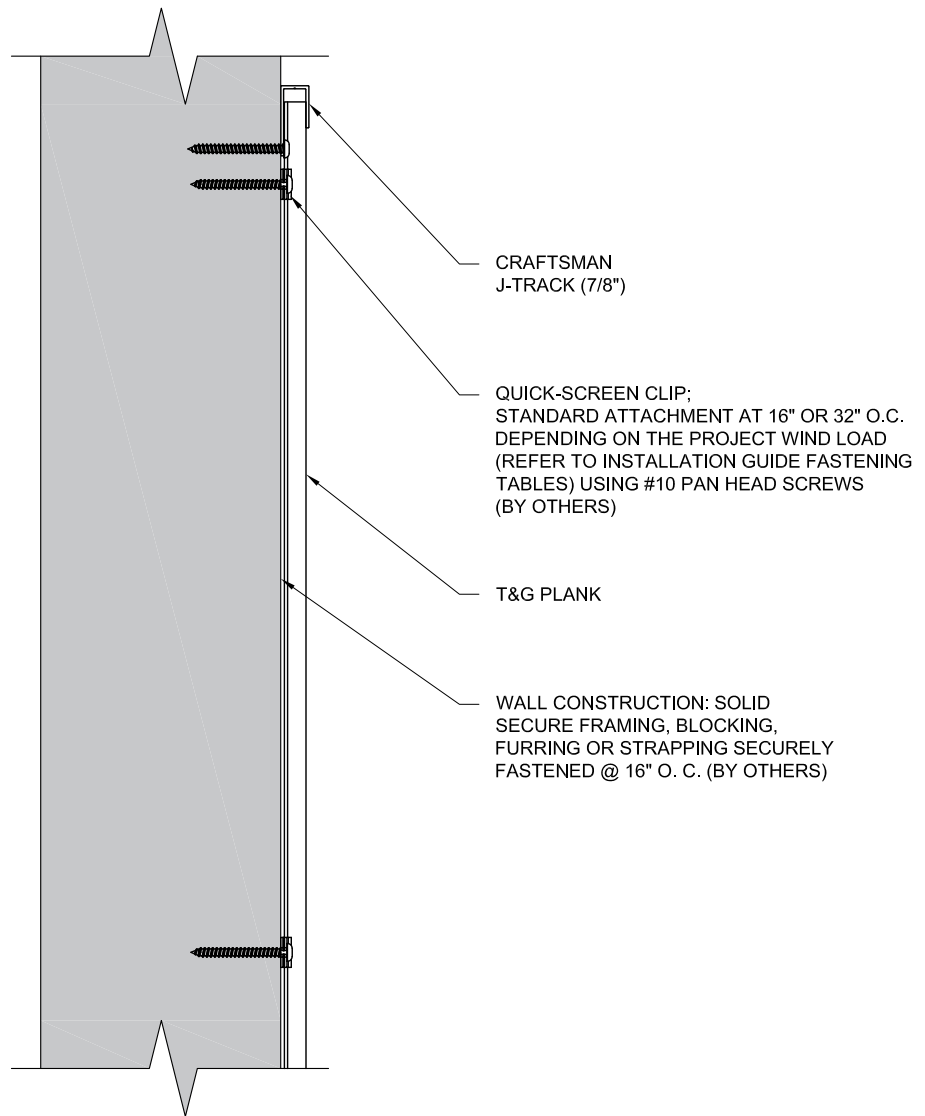
SECTION VIEW

TOP OF WALL DETAIL  
T&G HORIZONTAL

SCALE: 1:4

These drawings are published as an information guide only. These CAD drawings are intended as templates to assist the designer, they do not contain the full detail required for construction and must be read in conjunction with the installation instructions on [www.longboardproducts.com](http://www.longboardproducts.com). You should obtain architectural, engineering or other technical advice to assess the suitability of these drawings to the requirements of your particular project. Longboard Architectural Products accepts no liability in respect to the use of these drawings. For complete installation instructions refer to the appropriate documentation here [www.longboardproducts.com/resources/technical-documentation/installation-guides](http://www.longboardproducts.com/resources/technical-documentation/installation-guides)





CRAFTSMAN  
J-TRACK (7/8")

QUICK-SCREEN CLIP;  
STANDARD ATTACHMENT AT 16" OR 32" O.C.  
DEPENDING ON THE PROJECT WIND LOAD  
(REFER TO INSTALLATION GUIDE FASTENING  
TABLES) USING #10 PAN HEAD SCREWS  
(BY OTHERS)

T&G PLANK

WALL CONSTRUCTION: SOLID  
SECURE FRAMING, BLOCKING,  
FURRING OR STRAPPING SECURELY  
FASTENED @ 16" O. C. (BY OTHERS)

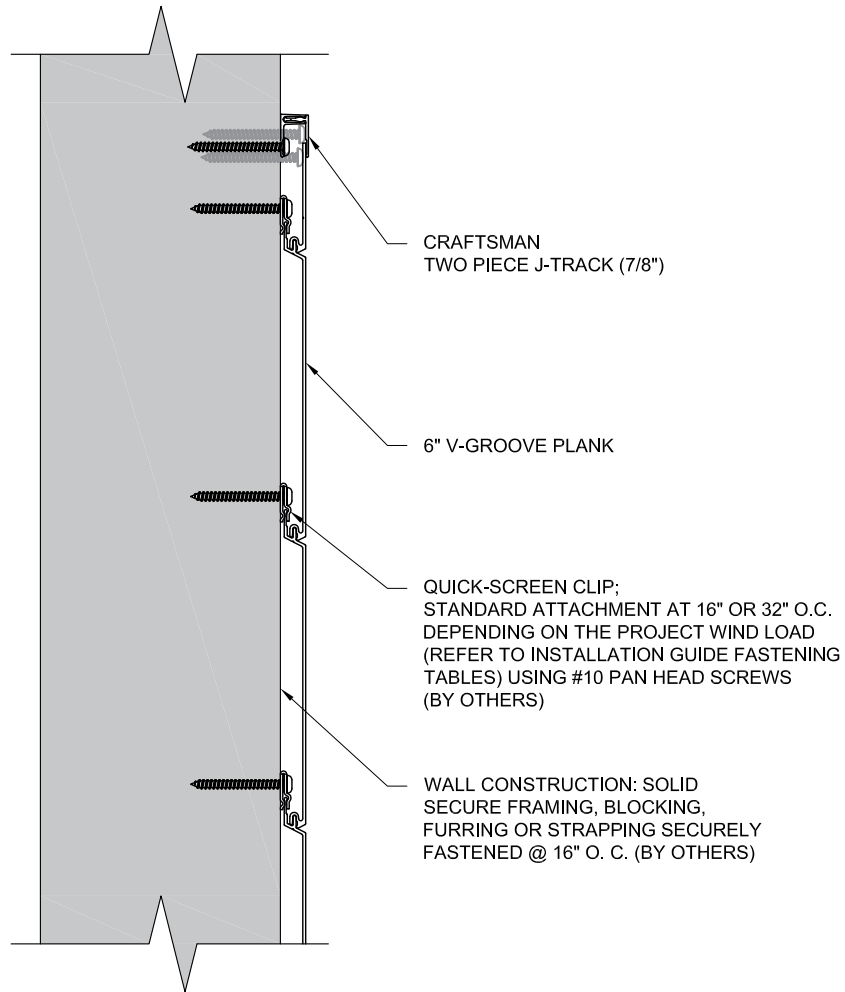
SECTION VIEW

TOP OF WALL DETAIL  
T&G VERTICAL

SCALE: 1:4

These drawings are published as an information guide only. These CAD drawings are intended as templates to assist the designer, they do not contain the full detail required for construction and must be read in conjunction with the installation instructions on [www.longboardproducts.com](http://www.longboardproducts.com). You should obtain architectural, engineering or other technical advice to assess the suitability of these drawings to the requirements of your particular project. Longboard Architectural Products accepts no liability in respect to the use of these drawings. For complete installation instructions refer to the appropriate documentation here [www.longboardproducts.com/resources/technical-documentation/installation-guides](http://www.longboardproducts.com/resources/technical-documentation/installation-guides)





SECTION VIEW

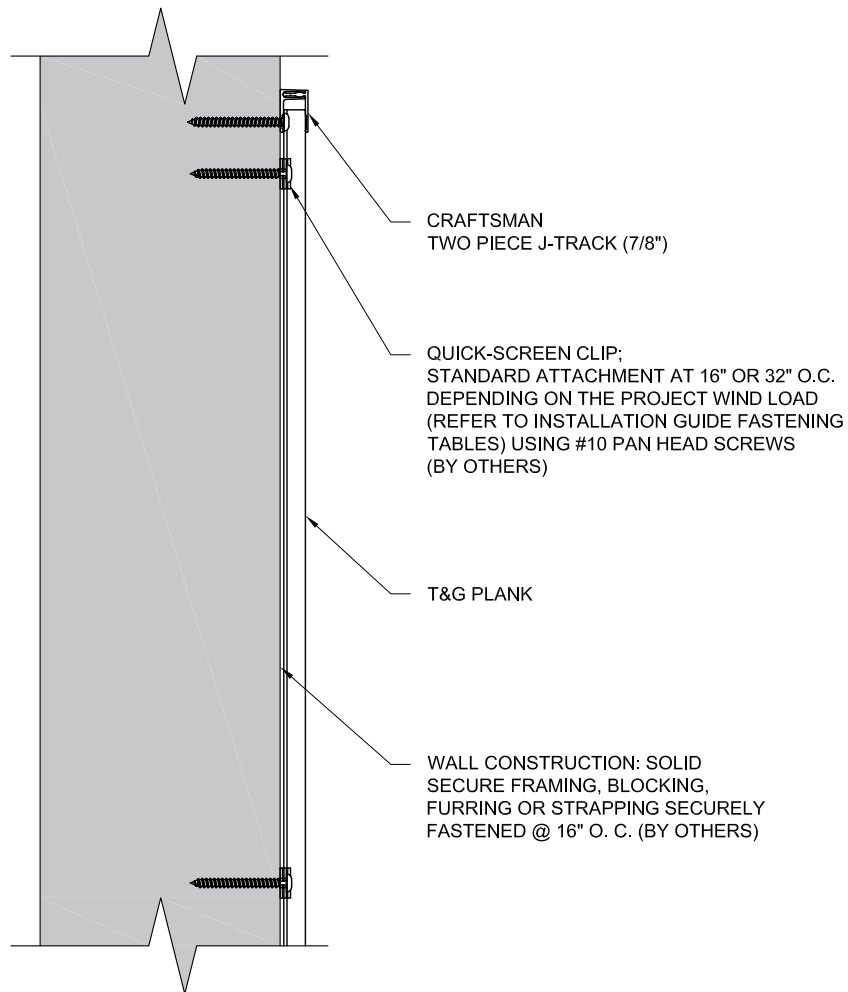
These drawings are published as an information guide only. These CAD drawings are intended as templates to assist the designer, they do not contain the full detail required for construction and must be read in conjunction with the installation instructions on [www.longboardproducts.com](http://www.longboardproducts.com). You should obtain architectural, engineering or other technical advice to assess the suitability of these drawings to the requirements of your particular project. Longboard Architectural Products accepts no liability in respect to the use of these drawings. For complete installation instructions refer to the appropriate documentation here [www.longboardproducts.com/resources/technical-documentation/installation-guides](http://www.longboardproducts.com/resources/technical-documentation/installation-guides)

## TOP OF WALL WITH TWO PIECE J-TRACK DETAIL - T&G HORIZONTAL

SCALE: 1:4







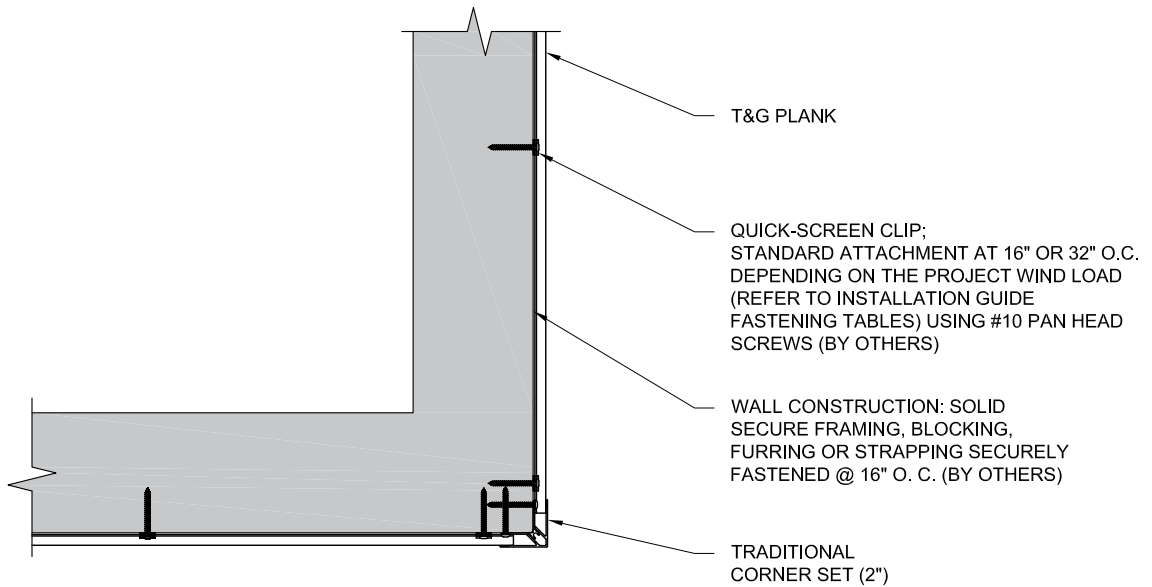
SECTION VIEW

These drawings are published as an information guide only. These CAD drawings are intended as templates to assist the designer, they do not contain the full detail required for construction and must be read in conjunction with the installation instructions on [www.longboardproducts.com](http://www.longboardproducts.com). You should obtain architectural, engineering or other technical advice to assess the suitability of these drawings to the requirements of your particular project. Longboard Architectural Products accepts no liability in respect to the use of these drawings. For complete installation instructions refer to the appropriate documentation here [www.longboardproducts.com/resources/technical-documentation/installation-guides](http://www.longboardproducts.com/resources/technical-documentation/installation-guides)

## TOP OF WALL WITH TWO PIECE J-TRACK DETAIL - T&G VERTICAL

SCALE: 1:4





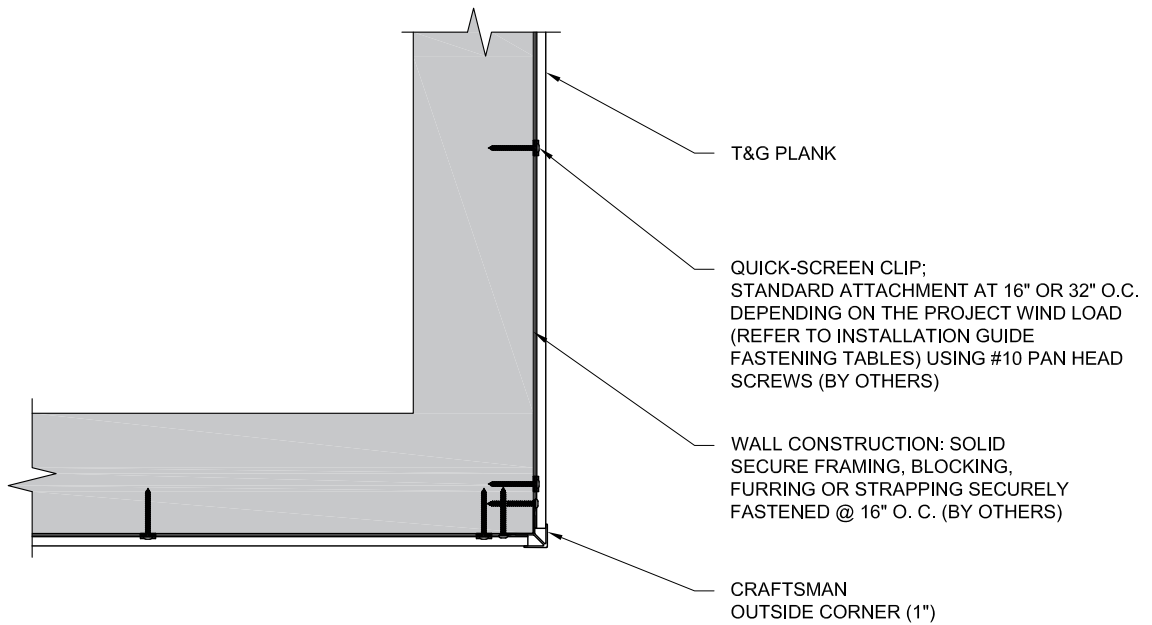
PLAN VIEW

These drawings are published as an information guide only. These CAD drawings are intended as templates to assist the designer, they do not contain the full detail required for construction and must be read in conjunction with the installation instructions on [www.longboardproducts.com](http://www.longboardproducts.com). You should obtain architectural, engineering or other technical advice to assess the suitability of these drawings to the requirements of your particular project. Longboard Architectural Products accepts no liability in respect to the use of these drawings. For complete installation instructions refer to the appropriate documentation here [www.longboardproducts.com/resources/technical-documentation/installation-guides](http://www.longboardproducts.com/resources/technical-documentation/installation-guides)

## OUTSIDE CORNER SET DETAIL T&G HORIZONTAL

SCALE: 1:8



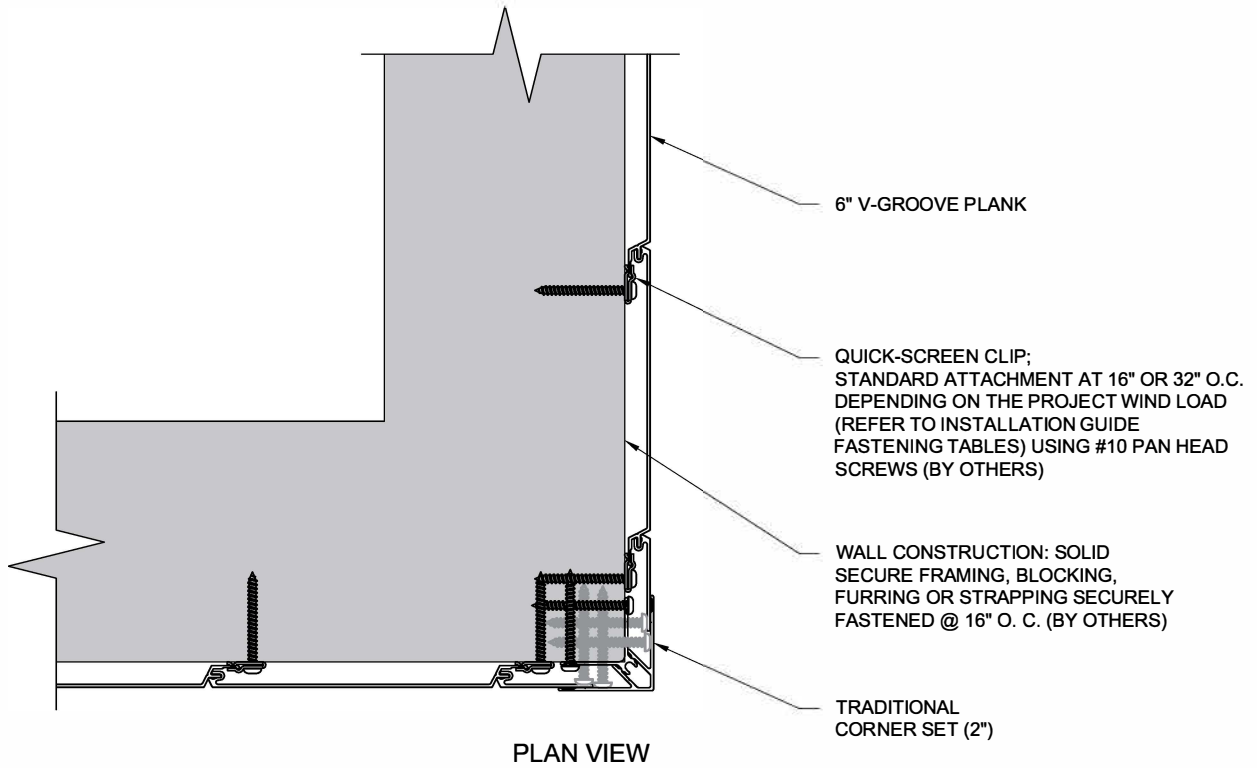


PLAN VIEW

These drawings are published as an information guide only. These CAD drawings are intended as templates to assist the designer, they do not contain the full detail required for construction and must be read in conjunction with the installation instructions on [www.longboardproducts.com](http://www.longboardproducts.com). You should obtain architectural, engineering or other technical advice to assess the suitability of these drawings to the requirements of your particular project. Longboard Architectural Products accepts no liability in respect to the use of these drawings. For complete installation instructions refer to the appropriate documentation here [www.longboardproducts.com/resources/technical-documentation/installation-guides](http://www.longboardproducts.com/resources/technical-documentation/installation-guides)

OUTSIDE CORNER WITH CRAFTSMAN  
OUTSIDE CORNER DETAIL  
T&G HORIZONTAL  
SCALE: 1:8



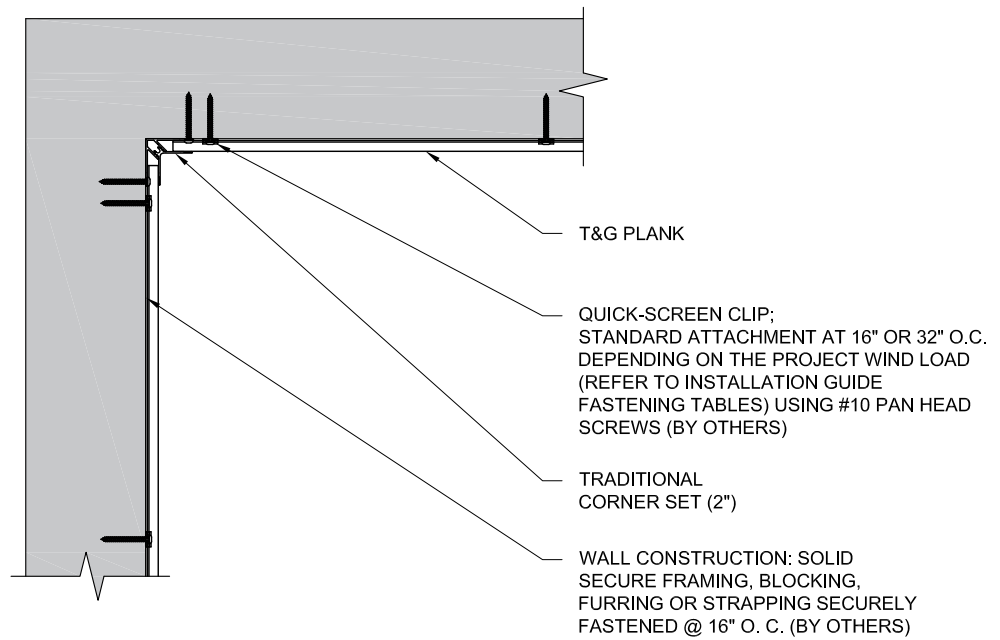


These drawings are published as an information guide only. These CAD drawings are intended as templates to assist the designer, they do not contain the full detail required for construction and must be read in conjunction with the installation instructions on [www.longboardproducts.com](http://www.longboardproducts.com). You should obtain architectural, engineering or other technical advice to assess the suitability of these drawings to the requirements of your particular project. Longboard Architectural Products accepts no liability in respect to the use of these drawings. For complete installation instructions refer to the appropriate documentation here [www.longboardproducts.com/resources/technical-documentation/installation-guides](http://www.longboardproducts.com/resources/technical-documentation/installation-guides)

## OUTSIDE CORNER SET DETAIL T&G VERTICAL

SCALE: 1:4





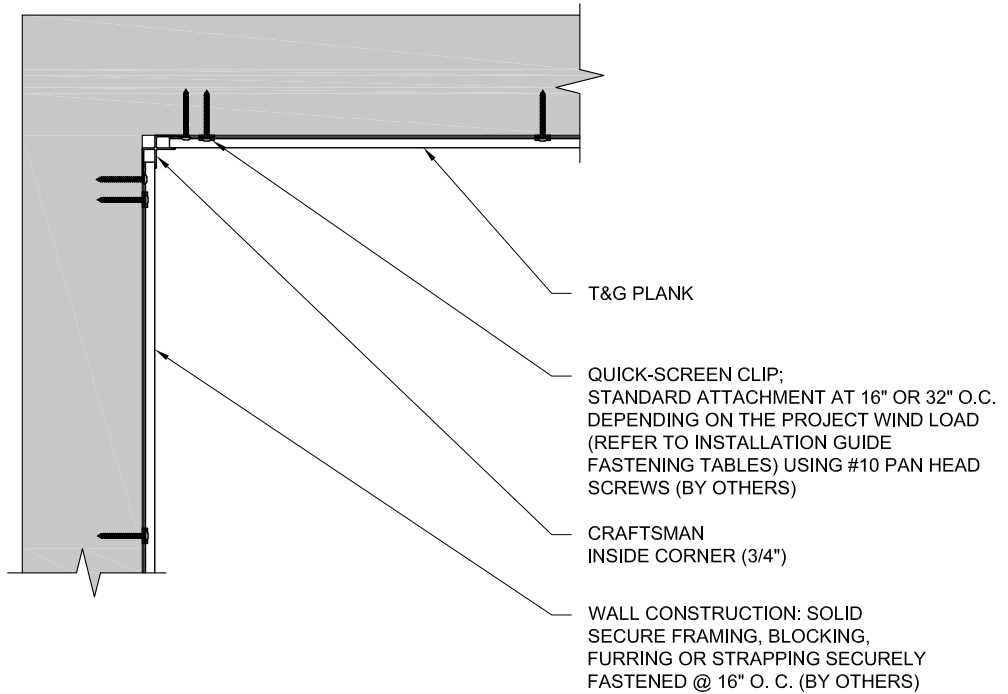
PLAN VIEW

These drawings are published as an information guide only. These CAD drawings are intended as templates to assist the designer, they do not contain the full detail required for construction and must be read in conjunction with the installation instructions on [www.longboardproducts.com](http://www.longboardproducts.com). You should obtain architectural, engineering or other technical advice to assess the suitability of these drawings to the requirements of your particular project. Longboard Architectural Products accepts no liability in respect to the use of these drawings. For complete installation instructions refer to the appropriate documentation here [www.longboardproducts.com/resources/technical-documentation/installation-guides](http://www.longboardproducts.com/resources/technical-documentation/installation-guides)

## INSIDE CORNER SET DETAIL T&G HORIZONTAL

SCALE: 1:8



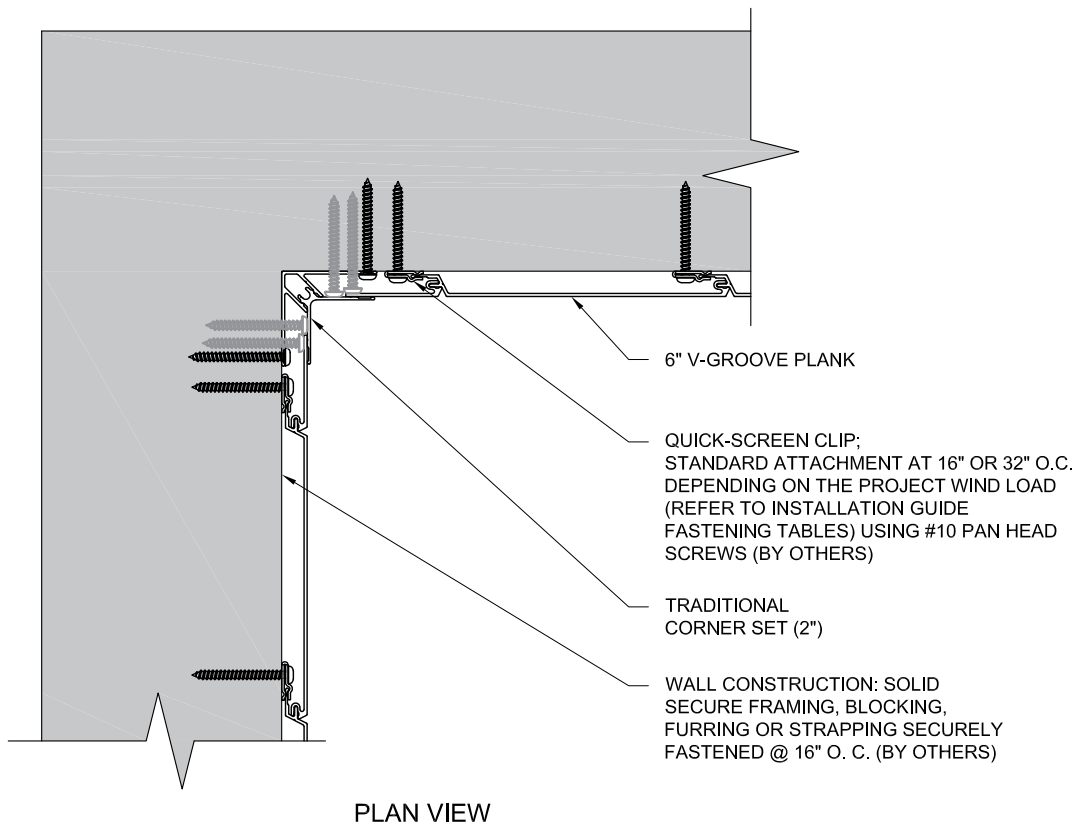


PLAN VIEW

These drawings are published as an information guide only. These CAD drawings are intended as templates to assist the designer, they do not contain the full detail required for construction and must be read in conjunction with the installation instructions on [www.longboardproducts.com](http://www.longboardproducts.com). You should obtain architectural, engineering or other technical advice to assess the suitability of these drawings to the requirements of your particular project. Longboard Architectural Products accepts no liability in respect to the use of these drawings. For complete installation instructions refer to the appropriate documentation here [www.longboardproducts.com/resources/technical-documentation/installation-guides](http://www.longboardproducts.com/resources/technical-documentation/installation-guides)

INSIDE CORNER WITH CRAFTSMAN  
INSIDE CORNER DETAIL  
T&G HORIZONTAL  
SCALE: 1:8



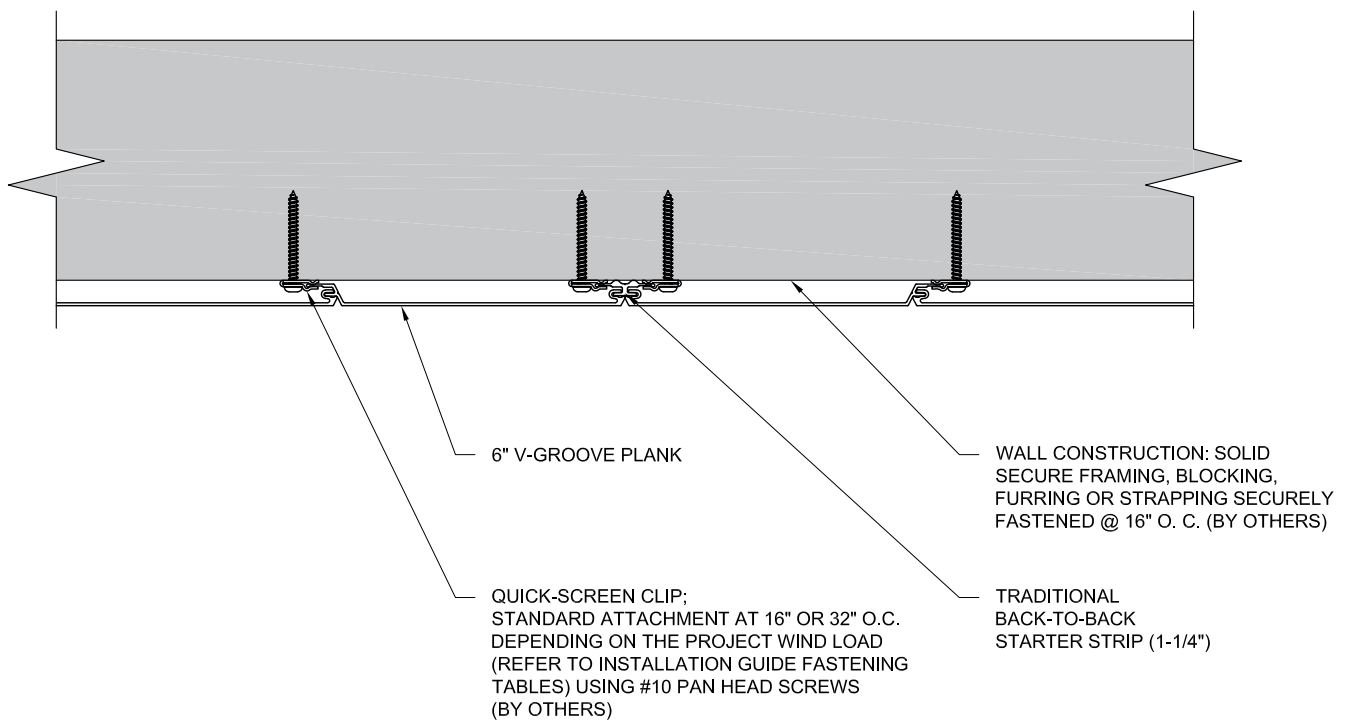


These drawings are published as an information guide only. These CAD drawings are intended as templates to assist the designer, they do not contain the full detail required for construction and must be read in conjunction with the installation instructions on [www.longboardproducts.com](http://www.longboardproducts.com). You should obtain architectural, engineering or other technical advice to assess the suitability of these drawings to the requirements of your particular project. Longboard Architectural Products accepts no liability in respect to the use of these drawings. For complete installation instructions refer to the appropriate documentation here [www.longboardproducts.com/resources/technical-documentation/installation-guides](http://www.longboardproducts.com/resources/technical-documentation/installation-guides)

## INSIDE CORNER SET DETAIL T&G VERTICAL

SCALE: 1:4





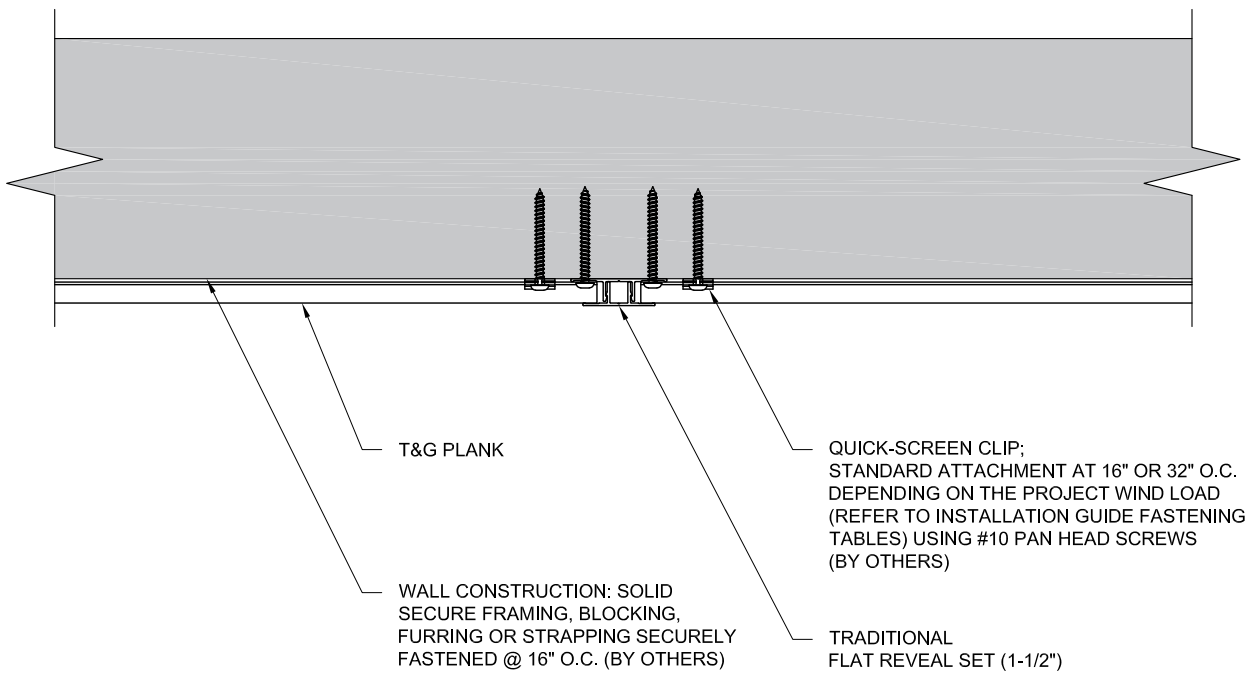
PLAN VIEW

These drawings are published as an information guide only. These CAD drawings are intended as templates to assist the designer, they do not contain the full detail required for construction and must be read in conjunction with the installation instructions on [www.longboardproducts.com](http://www.longboardproducts.com). You should obtain architectural, engineering or other technical advice to assess the suitability of these drawings to the requirements of your particular project. Longboard Architectural Products accepts no liability in respect to the use of these drawings. For complete installation instructions refer to the appropriate documentation here [www.longboardproducts.com/resources/technical-documentation/installation-guides](http://www.longboardproducts.com/resources/technical-documentation/installation-guides)

TRADITIONAL BACK-TO-BACK  
STARTER STRIP DETAIL  
T&G VERTICAL  
SCALE: 1:4







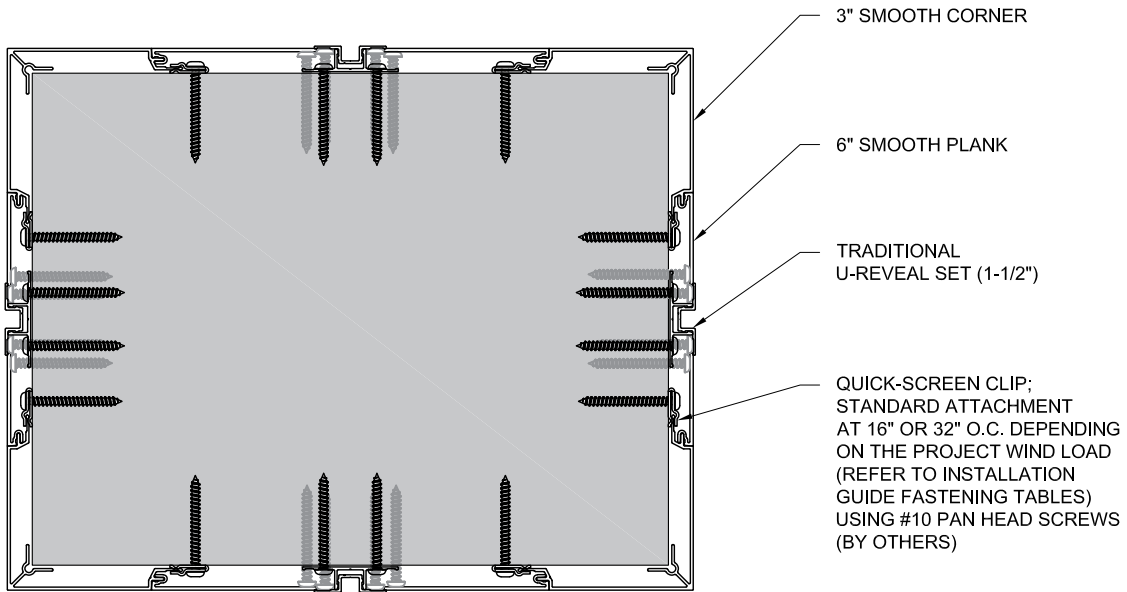
PLAN VIEW

These drawings are published as an information guide only. These CAD drawings are intended as templates to assist the designer, they do not contain the full detail required for construction and must be read in conjunction with the installation instructions on [www.longboardproducts.com](http://www.longboardproducts.com). You should obtain architectural, engineering or other technical advice to assess the suitability of these drawings to the requirements of your particular project. Longboard Architectural Products accepts no liability in respect to the use of these drawings. For complete installation instructions refer to the appropriate documentation here [www.longboardproducts.com/resources/technical-documentation/installation-guides](http://www.longboardproducts.com/resources/technical-documentation/installation-guides)

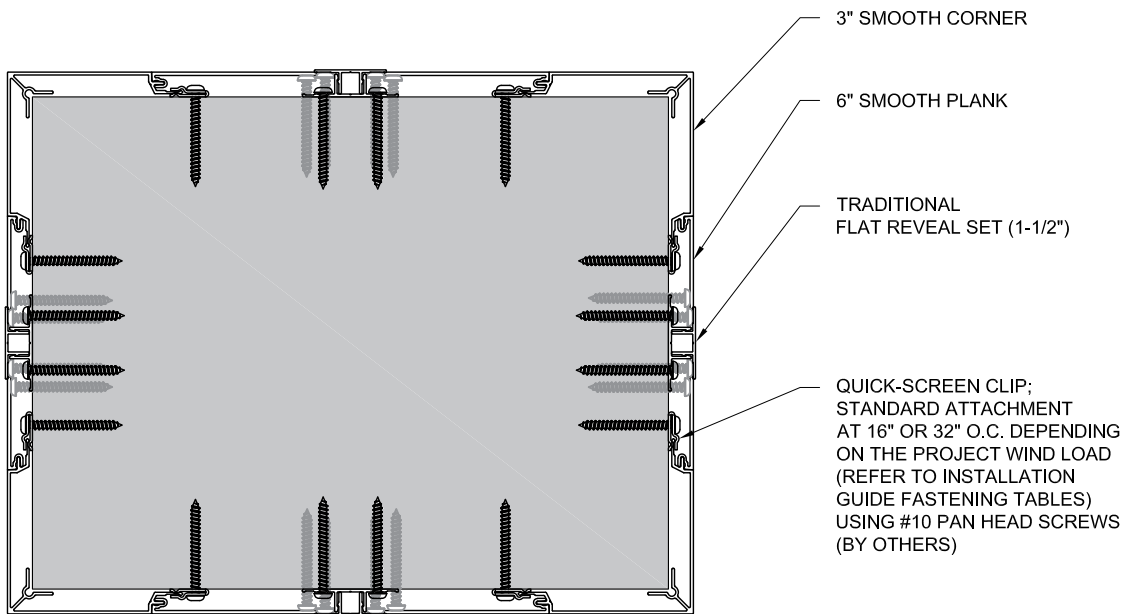
TRADITIONAL FLAT REVEAL SET DETAIL - T&G HORIZONTAL

SCALE: 1:4





PLAN VIEW

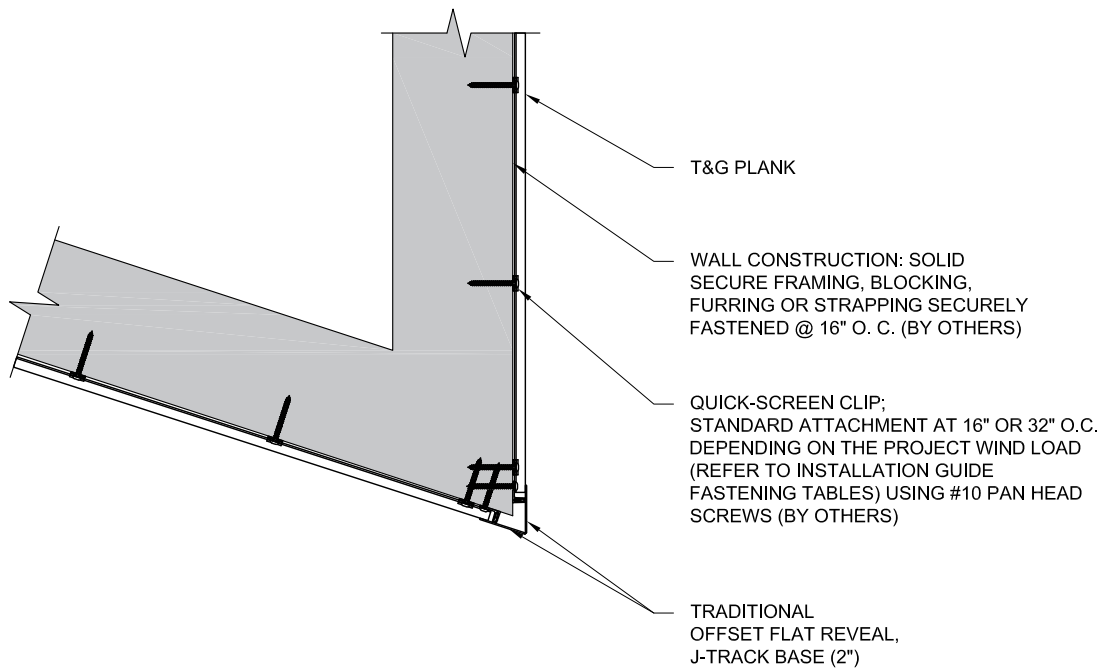


PLAN VIEW

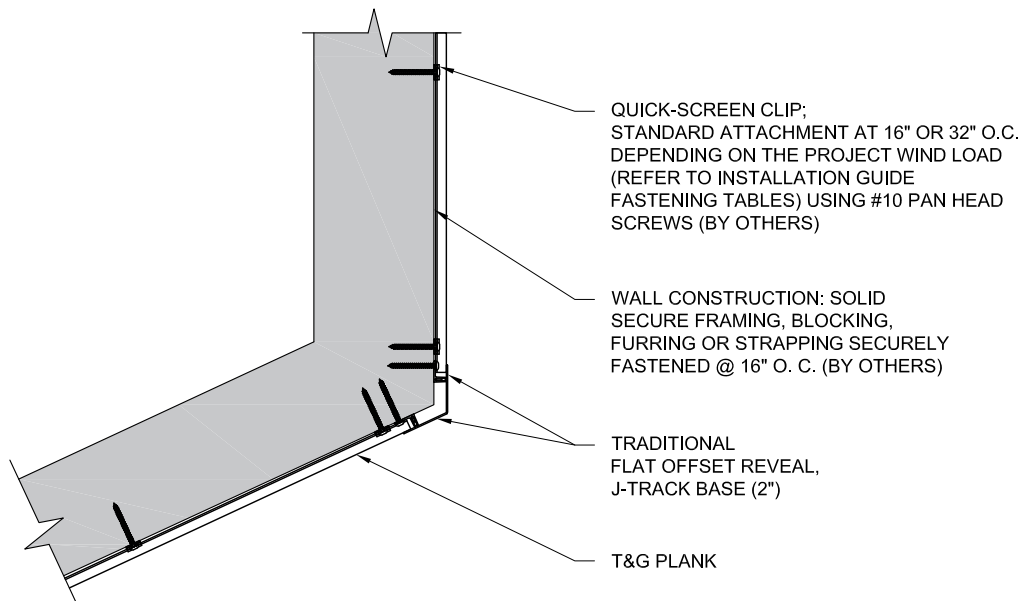
These drawings are published as an information guide only. These CAD drawings are intended as templates to assist the designer, they do not contain the full detail required for construction and must be read in conjunction with the installation instructions on [www.longboardproducts.com](http://www.longboardproducts.com). You should obtain architectural, engineering or other technical advice to assess the suitability of these drawings to the requirements of your particular project. Longboard Architectural Products accepts no liability in respect to the use of these drawings. For complete installation instructions refer to the appropriate documentation here [www.longboardproducts.com/resources/technical-documentation/installation-guides](http://www.longboardproducts.com/resources/technical-documentation/installation-guides)

WRAP AROUND A COLUMN  
WITH REVEAL SET DETAIL  
T&G VERTICAL  
SCALE: 1:4





PLAN VIEW

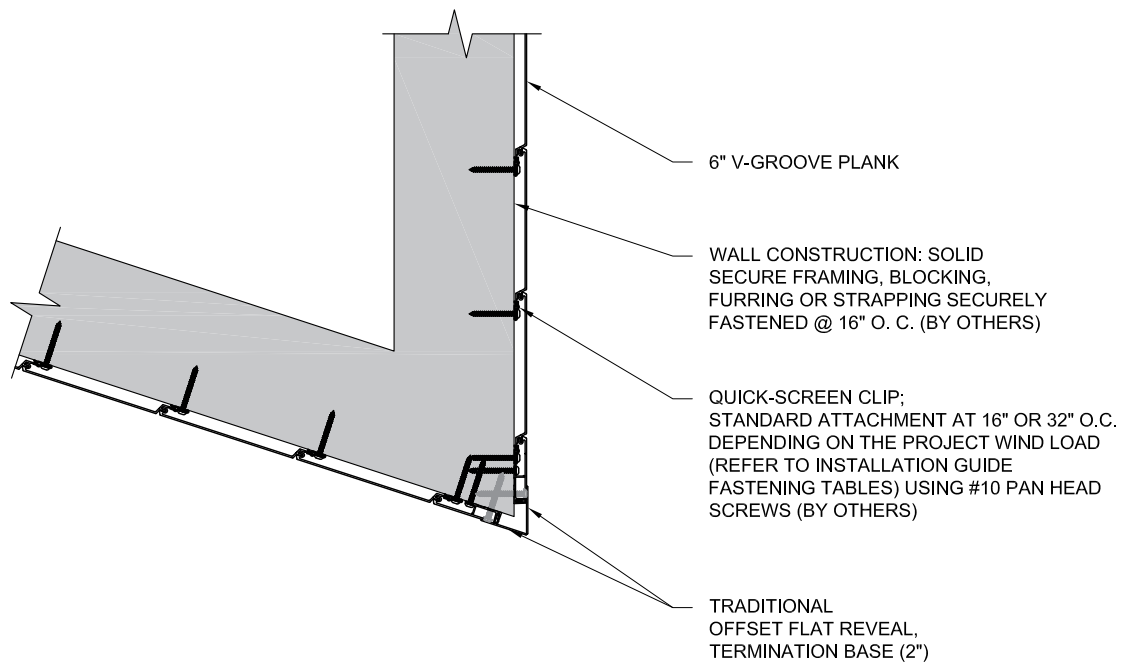


PLAN VIEW

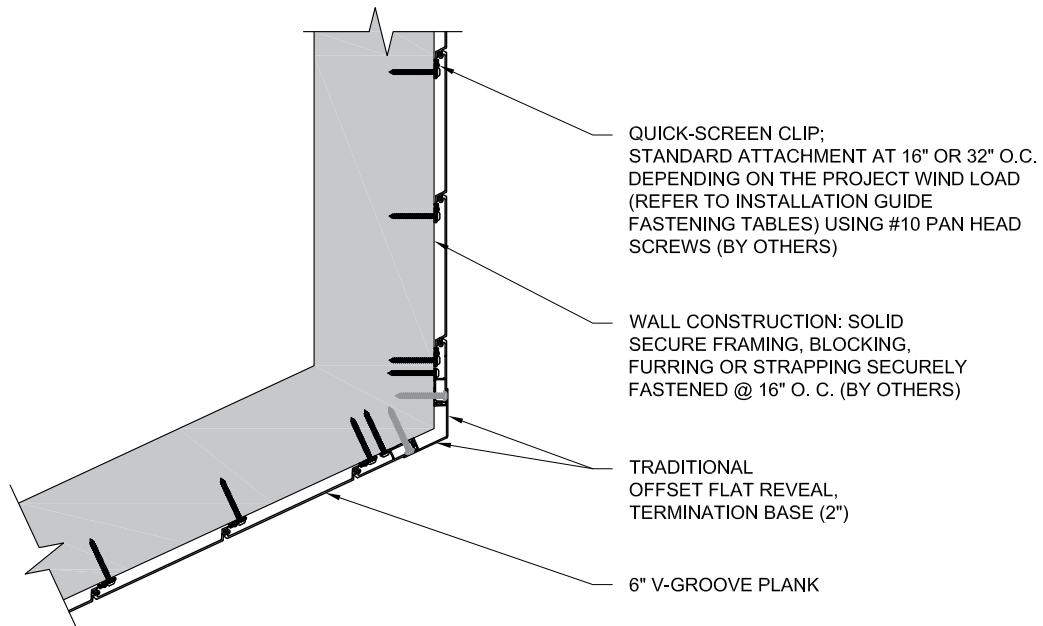
These drawings are published as an information guide only. These CAD drawings are intended as templates to assist the designer, they do not contain the full detail required for construction and must be read in conjunction with the installation instructions on [www.longboardproducts.com](http://www.longboardproducts.com). You should obtain architectural, engineering or other technical advice to assess the suitability of these drawings to the requirements of your particular project. Longboard Architectural Products accepts no liability in respect to the use of these drawings. For complete installation instructions refer to the appropriate documentation here [www.longboardproducts.com/resources/technical-documentation/installation-guides](http://www.longboardproducts.com/resources/technical-documentation/installation-guides)

NON 90 DEGREE OUTSIDE  
CORNER DETAIL  
T&G HORIZONTAL  
SCALE: 1:8





PLAN VIEW

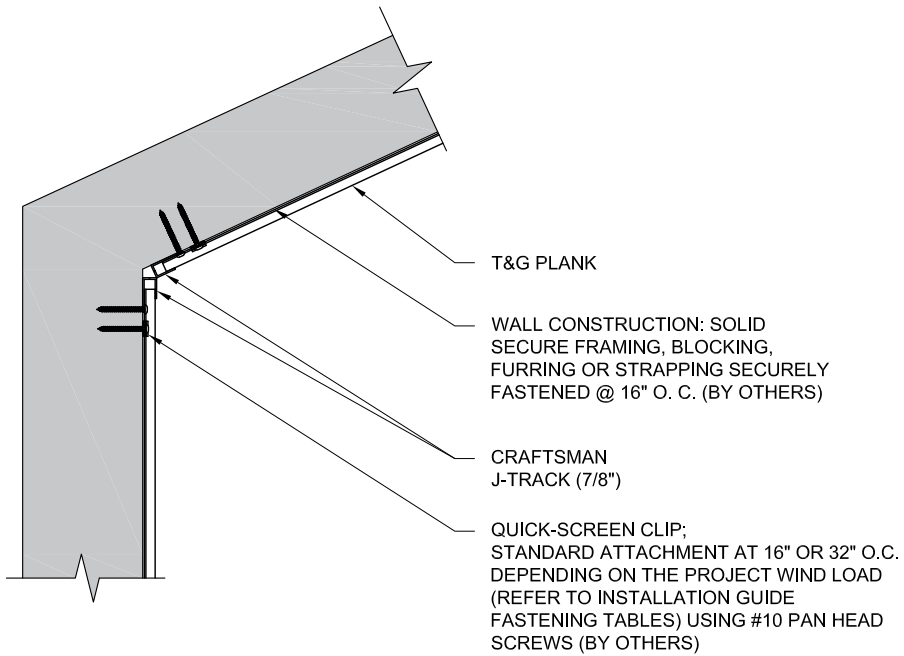


PLAN VIEW

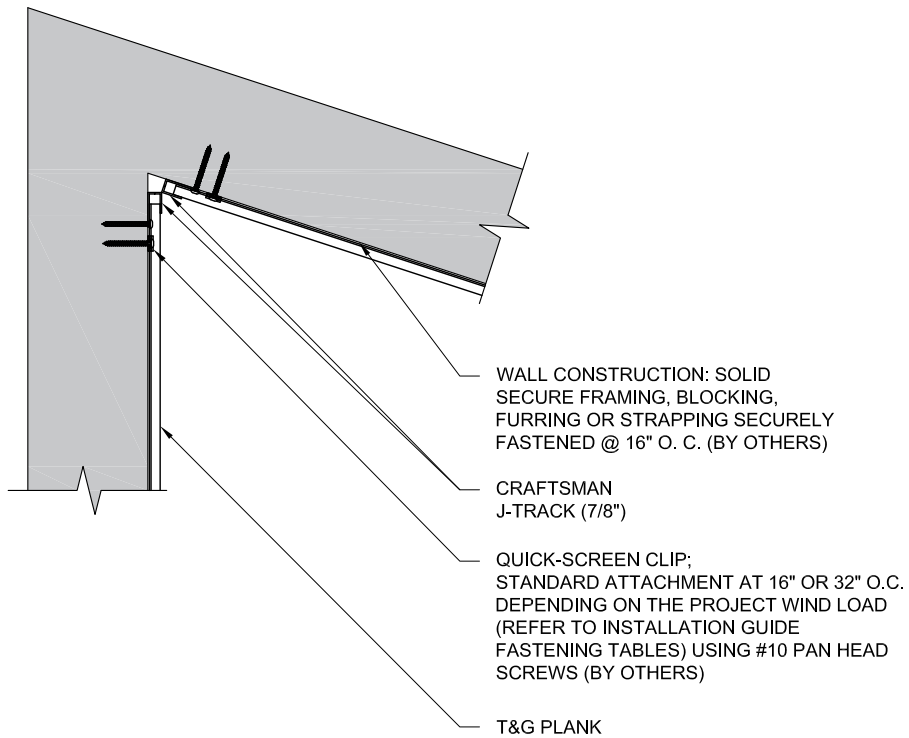
These drawings are published as an information guide only. These CAD drawings are intended as templates to assist the designer, they do not contain the full detail required for construction and must be read in conjunction with the installation instructions on [www.longboardproducts.com](http://www.longboardproducts.com). You should obtain architectural, engineering or other technical advice to assess the suitability of these drawings to the requirements of your particular project. Longboard Architectural Products accepts no liability in respect to the use of these drawings. For complete installation instructions refer to the appropriate documentation here [www.longboardproducts.com/resources/technical-documentation/installation-guides](http://www.longboardproducts.com/resources/technical-documentation/installation-guides)

NON 90 DEGREE OUTSIDE  
CORNER DETAIL  
T&G VERTICAL  
SCALE: 1:8





PLAN VIEW

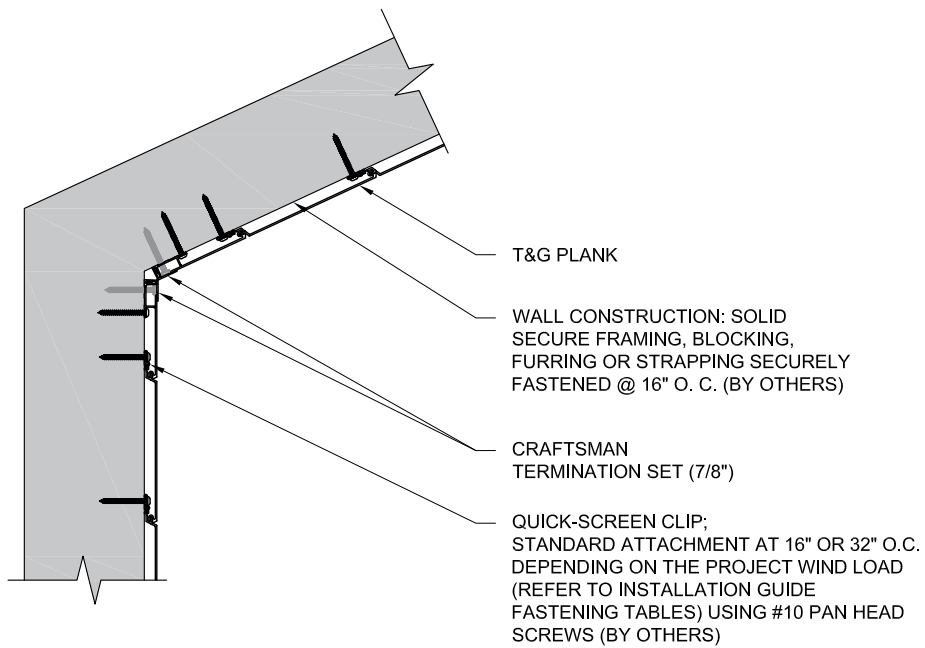


PLAN VIEW

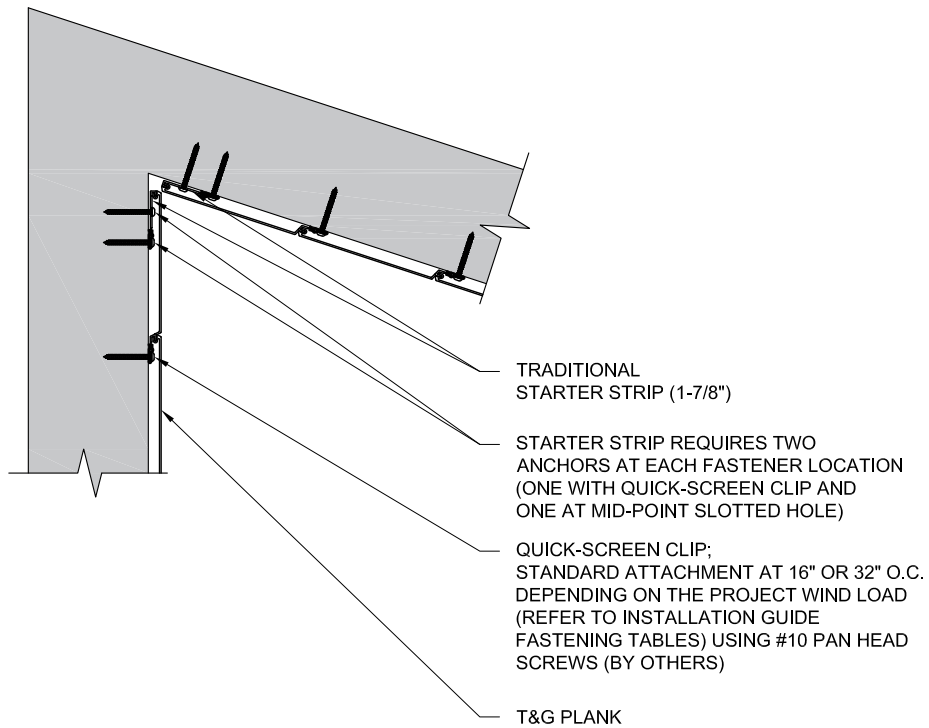
These drawings are published as an information guide only. These CAD drawings are intended as templates to assist the designer, they do not contain the full detail required for construction and must be read in conjunction with the installation instructions on [www.longboardproducts.com](http://www.longboardproducts.com). You should obtain architectural, engineering or other technical advice to assess the suitability of these drawings to the requirements of your particular project. Longboard Architectural Products accepts no liability in respect to the use of these drawings. For complete installation instructions refer to the appropriate documentation here [www.longboardproducts.com/resources/technical-documentation/installation-guides](http://www.longboardproducts.com/resources/technical-documentation/installation-guides)

NON 90 DEGREE INSIDE  
CORNER DETAIL  
T&G HORIZONTAL  
SCALE: 1:8





PLAN VIEW

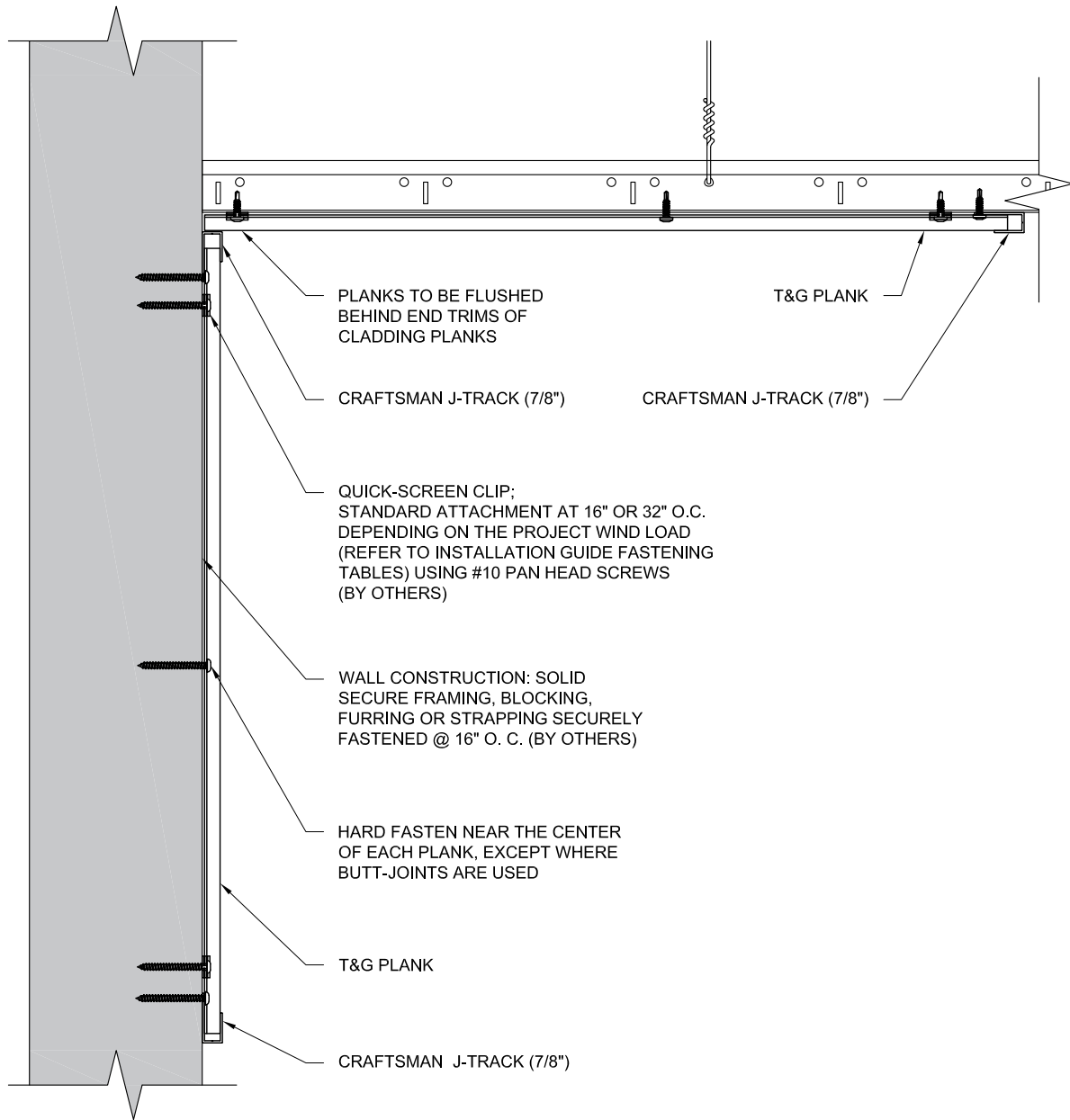


PLAN VIEW

These drawings are published as an information guide only. These CAD drawings are intended as templates to assist the designer, they do not contain the full detail required for construction and must be read in conjunction with the installation instructions on [www.longboardproducts.com](http://www.longboardproducts.com). You should obtain architectural, engineering or other technical advice to assess the suitability of these drawings to the requirements of your particular project. Longboard Architectural Products accepts no liability in respect to the use of these drawings. For complete installation instructions refer to the appropriate documentation here [www.longboardproducts.com/resources/technical-documentation/installation-guides](http://www.longboardproducts.com/resources/technical-documentation/installation-guides)

NON 90 DEGREE INSIDE  
CORNER DETAIL  
T&G VERTICAL  
SCALE: 1:8





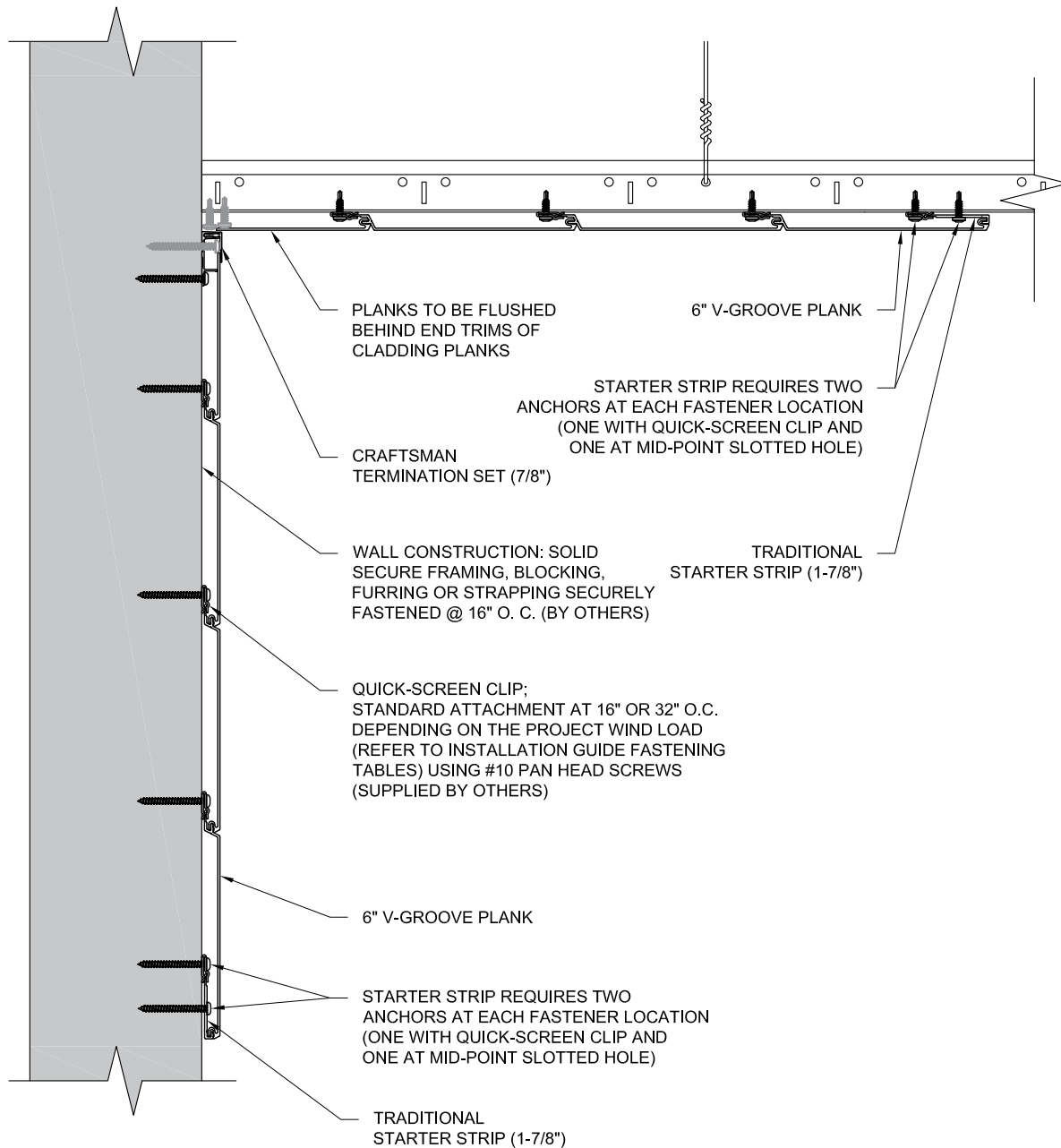
SECTION VIEW

These drawings are published as an information guide only. These CAD drawings are intended as templates to assist the designer, they do not contain the full detail required for construction and must be read in conjunction with the installation instructions on [www.longboardproducts.com](http://www.longboardproducts.com). You should obtain architectural, engineering or other technical advice to assess the suitability of these drawings to the requirements of your particular project. Longboard Architectural Products accepts no liability in respect to the use of these drawings. For complete installation instructions refer to the appropriate documentation here [www.longboardproducts.com/resources/technical-documentation/installation-guides](http://www.longboardproducts.com/resources/technical-documentation/installation-guides)

WALL TO CEILING TRANSITION DETAIL  
T&G VERTICAL

SCALE: 1:5





SECTION VIEW

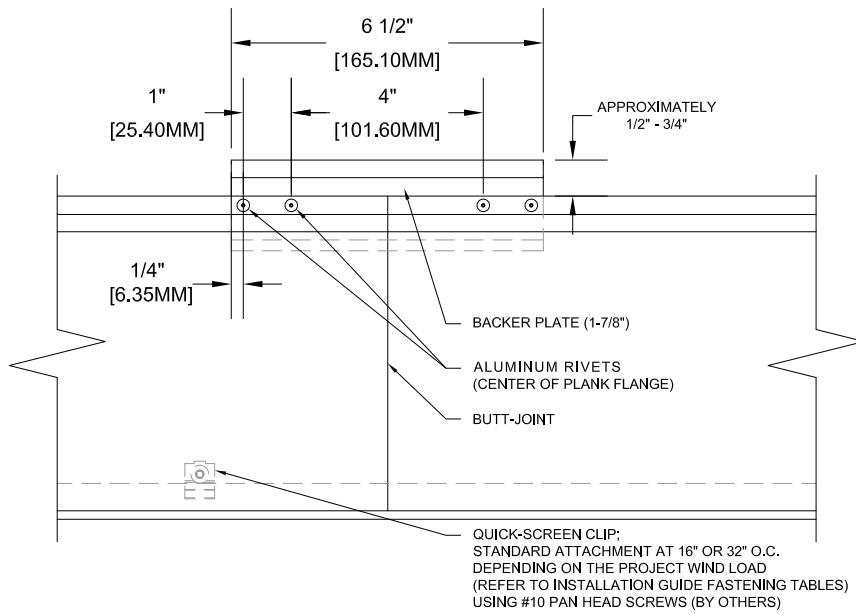
These drawings are published as an information guide only. These CAD drawings are intended as templates to assist the designer, they do not contain the full detail required for construction and must be read in conjunction with the installation instructions on [www.longboardproducts.com](http://www.longboardproducts.com). You should obtain architectural, engineering or other technical advice to assess the suitability of these drawings to the requirements of your particular project. Longboard Architectural Products accepts no liability in respect to the use of these drawings. For complete installation instructions refer to the appropriate documentation here [www.longboardproducts.com/resources/technical-documentation/installation-guides](http://www.longboardproducts.com/resources/technical-documentation/installation-guides)

WALL TO CEILING TRANSITION DETAIL  
T&G HORIZONTAL

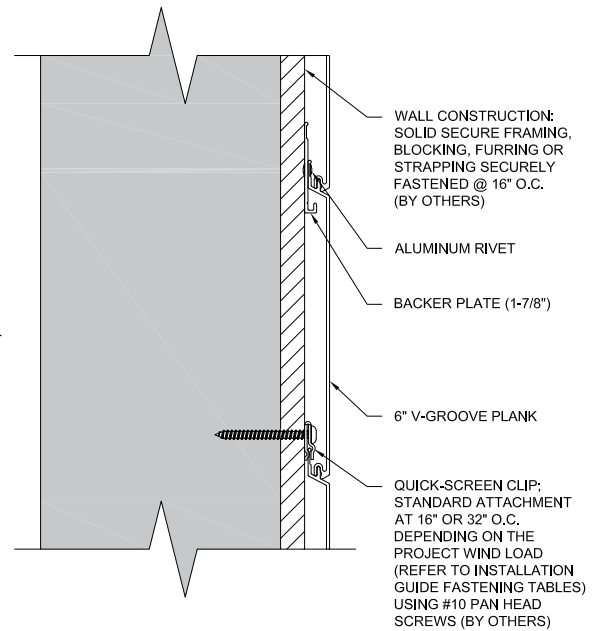
SCALE: 1:5



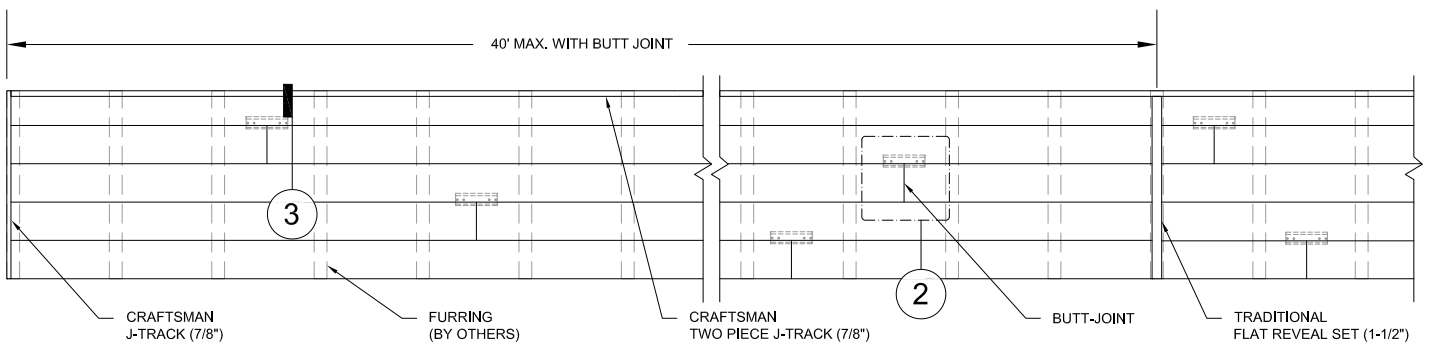




**2 BUTT-JOINT KIT ENLARGED DETAIL**  
SCALE: 1:4



**3 SECTION**  
SCALE: 1:4



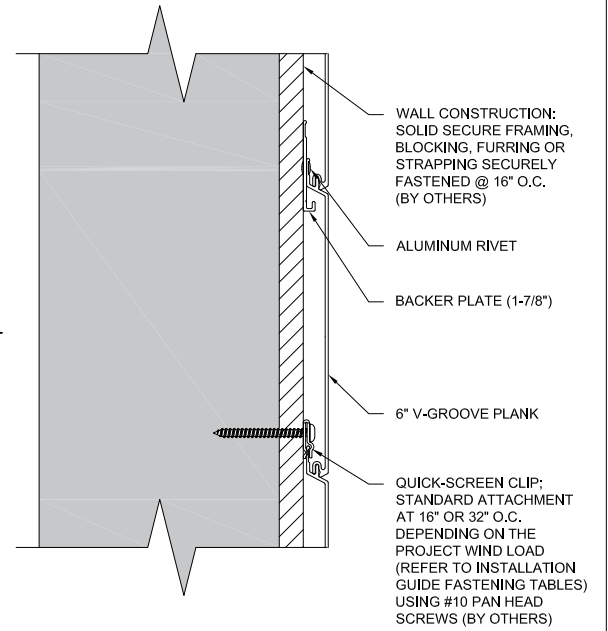
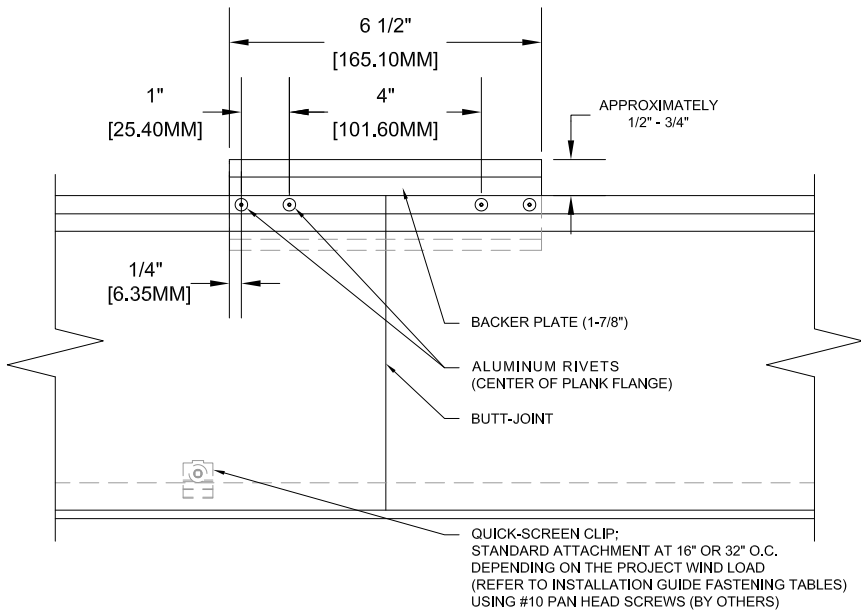
**1 ELEVATION WITH SINGLE BUTT-JOINTS**  
SCALE: 1:30

These drawings are published as an information guide only. These CAD drawings are intended as templates to assist the designer, they do not contain the full detail required for construction and must be read in conjunction with the installation instructions on [www.longboardproducts.com](http://www.longboardproducts.com). You should obtain architectural, engineering or other technical advice to assess the suitability of these drawings to the requirements of your particular project. Longboard Architectural Products accepts no liability in respect to the use of these drawings. For complete installation instructions refer to the appropriate documentation here [www.longboardproducts.com/resources/technical-documentation/installation-guides](http://www.longboardproducts.com/resources/technical-documentation/installation-guides)

## SINGLE BUTT-JOINT DETAIL T&G HORIZONTAL

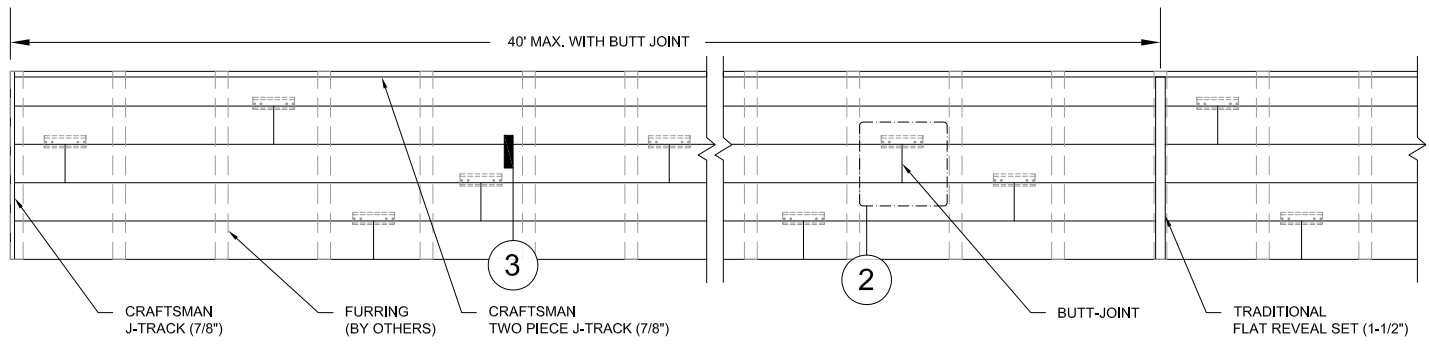
SCALE: AS INDICATED





2 BUTT-JOINT KIT ENLARGED DETAIL  
SCALE: 1:4

3 SECTION  
SCALE: 1:4

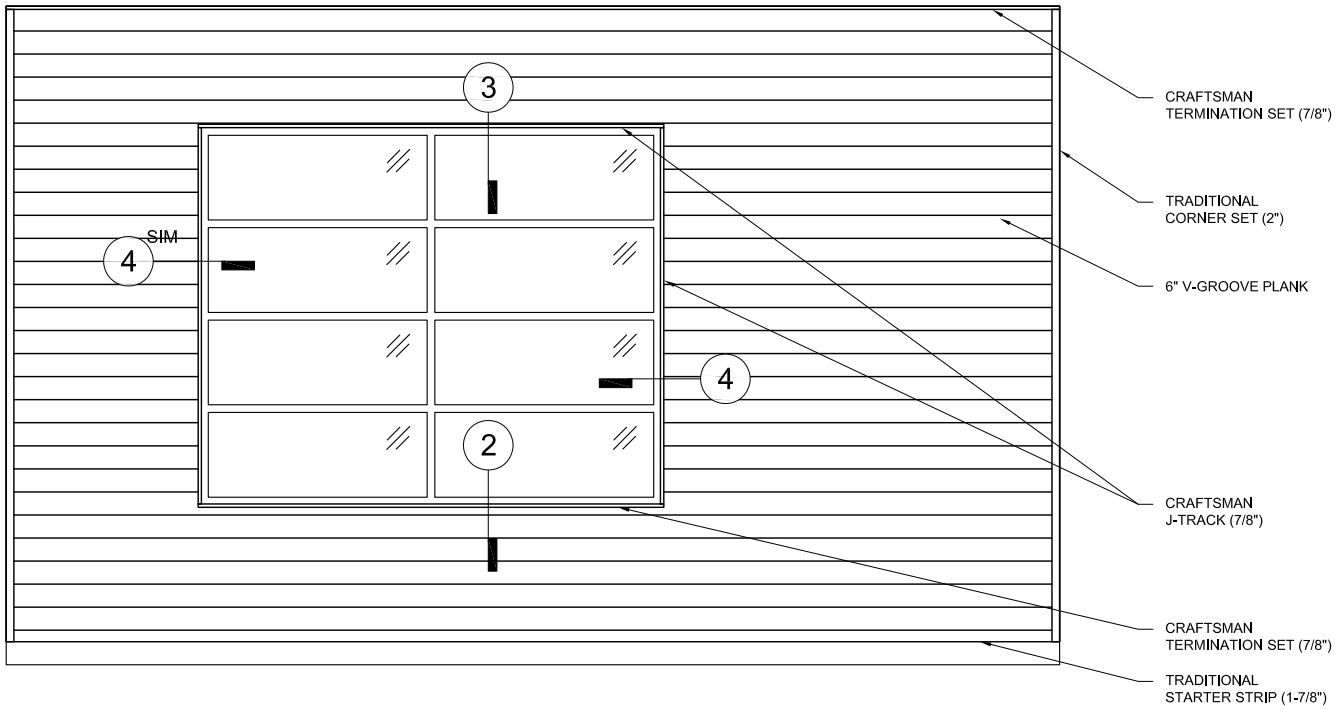


1 ELEVATION WITH MULTIPLE BUTT-JOINTS  
SCALE: 1:30

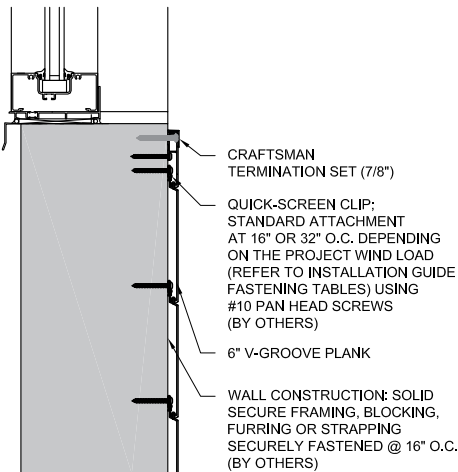
These drawings are published as an information guide only. These CAD drawings are intended as templates to assist the designer, they do not contain the full detail required for construction and must be read in conjunction with the installation instructions on [www.longboardproducts.com](http://www.longboardproducts.com). You should obtain architectural, engineering or other technical advice to assess the suitability of these drawings to the requirements of your particular project. Longboard Architectural Products accepts no liability in respect to the use of these drawings. For complete installation instructions refer to the appropriate documentation here [www.longboardproducts.com/resources/technical-documentation/installation-guides](http://www.longboardproducts.com/resources/technical-documentation/installation-guides)

MULTIPLE BUTT-JOINT DETAIL  
T&G HORIZONTAL  
SCALE: AS INDICATED

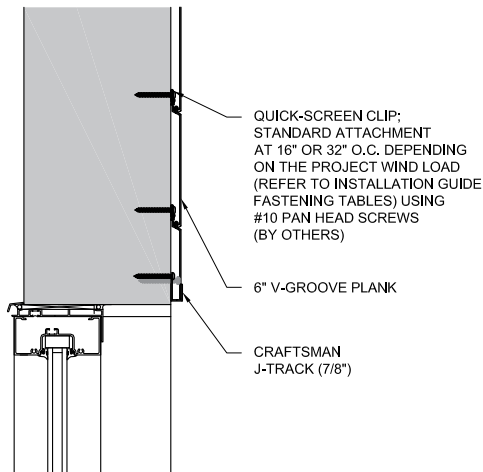




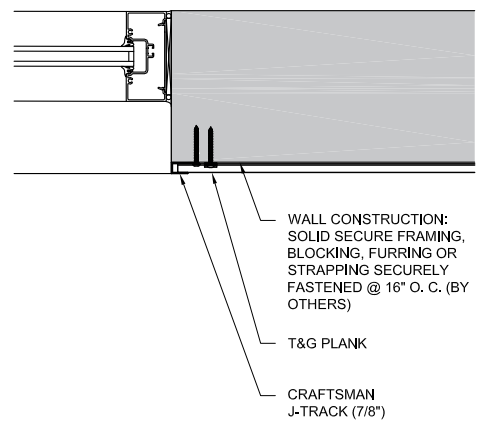
**1 ELEVATION**  
SCALE: 1:50



**2 WINDOW SILL DETAIL**  
SCALE: 1:10



**3 WINDOW HEAD DETAIL**  
SCALE: 1:10

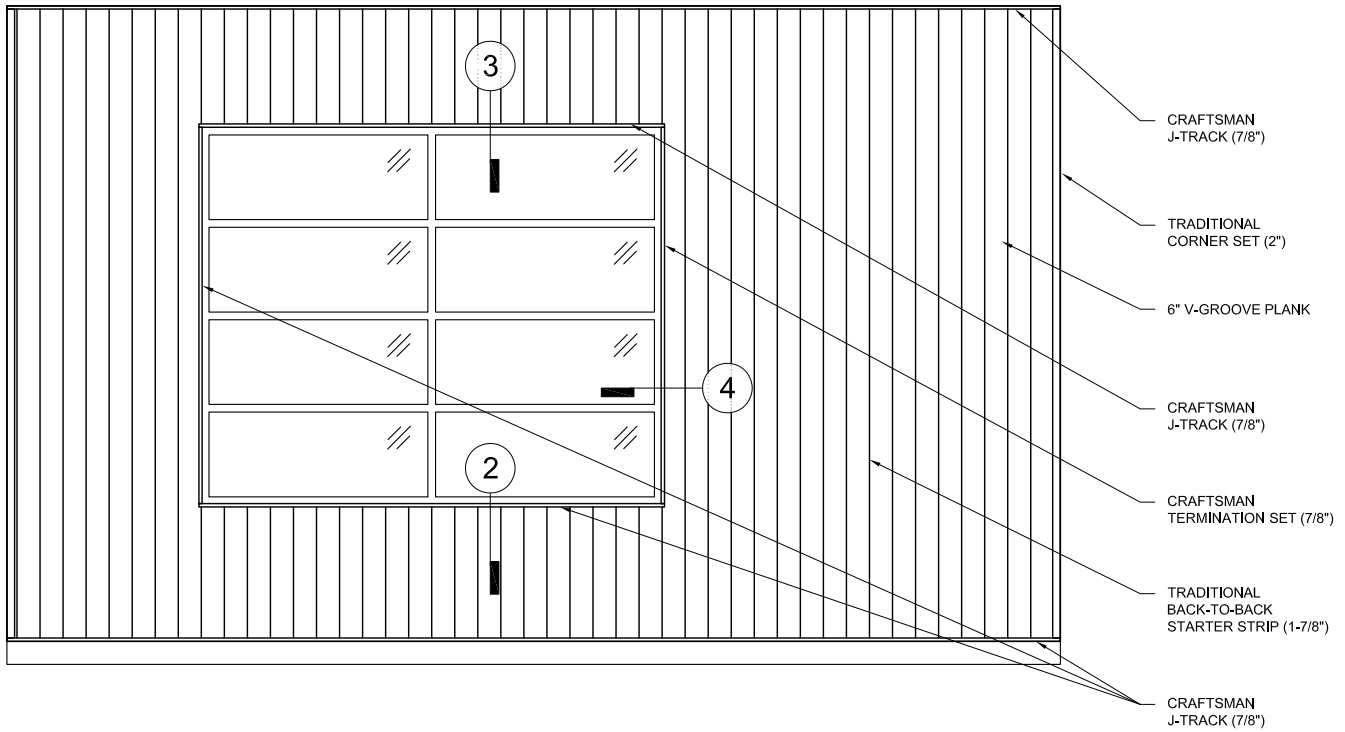


**4 WINDOW JAMB DETAIL**  
SCALE: 1:10

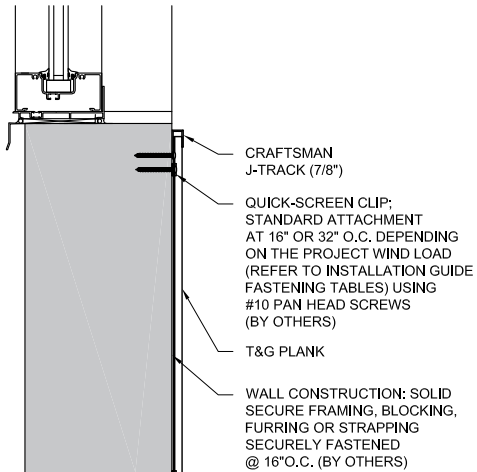
These drawings are published as an information guide only. These CAD drawings are intended as templates to assist the designer, they do not contain the full detail required for construction and must be read in conjunction with the installation instructions on [www.longboardproducts.com](http://www.longboardproducts.com). You should obtain architectural, engineering or other technical advice to assess the suitability of these drawings to the requirements of your particular project. Longboard Architectural Products accepts no liability in respect to the use of these drawings. For complete installation instructions refer to the appropriate documentation here [www.longboardproducts.com/resources/technical-documentation/installation-guides](http://www.longboardproducts.com/resources/technical-documentation/installation-guides)

**WINDOW DETAIL**  
**T&G HORIZONTAL**  
  
SCALE: AS INDICATED

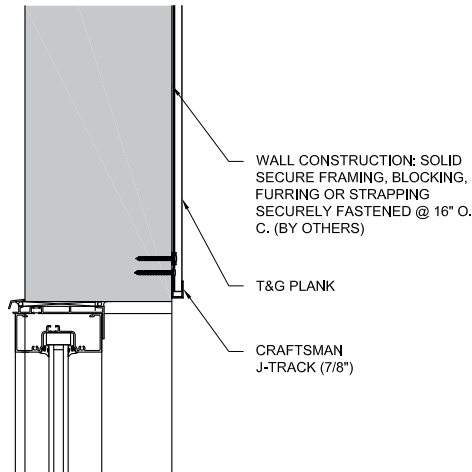




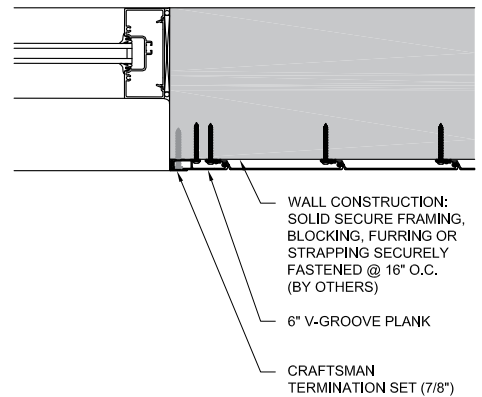
**1** ELEVATION  
SCALE: 1:50



**2** WINDOW SILL DETAIL  
SCALE: 1:10



**3** WINDOW HEAD DETAIL  
SCALE: 1:10



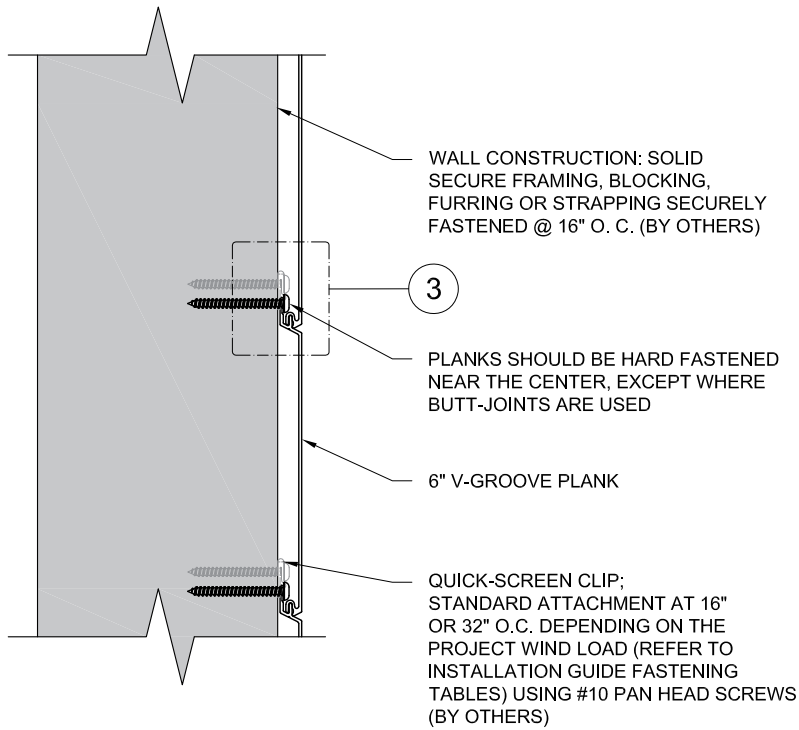
**4** WINDOW JAMB DETAIL  
SCALE: 1:10

These drawings are published as an information guide only. These CAD drawings are intended as templates to assist the designer, they do not contain the full detail required for construction and must be read in conjunction with the installation instructions on [www.longboardproducts.com](http://www.longboardproducts.com). You should obtain architectural, engineering or other technical advice to assess the suitability of these drawings to the requirements of your particular project. Longboard Architectural Products accepts no liability in respect to the use of these drawings. For complete installation instructions refer to the appropriate documentation here [www.longboardproducts.com/resources/technical-documentation/installation-guides](http://www.longboardproducts.com/resources/technical-documentation/installation-guides)

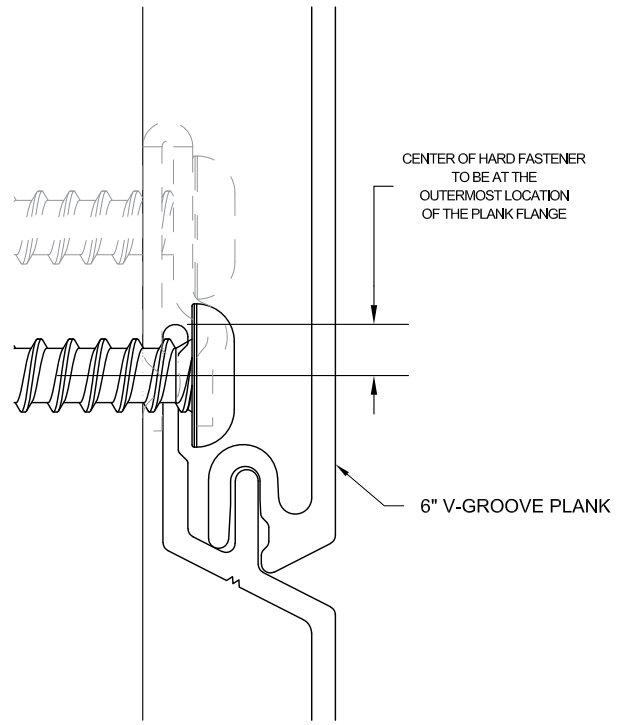
## WINDOW DETAIL T&G VERTICAL

SCALE: AS INDICATED

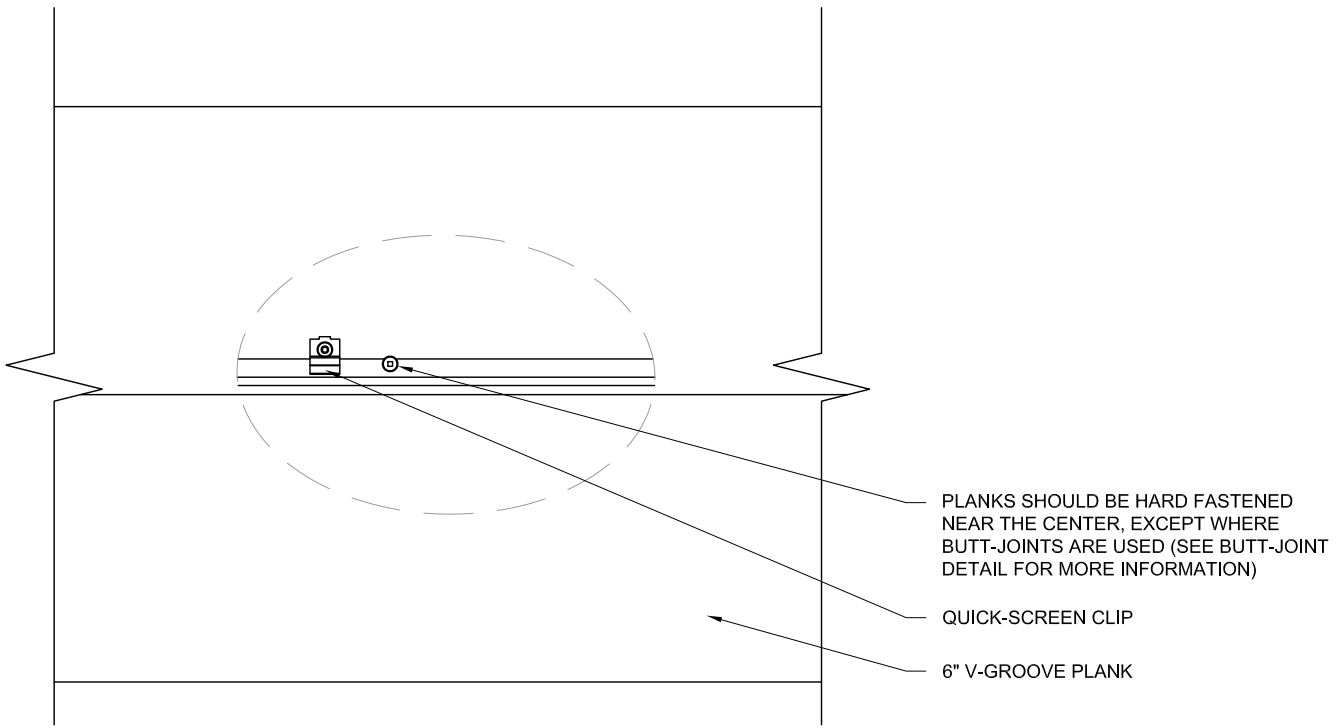




**2 SECTION**  
SCALE: 1:4



**3 ENLARGED DETAIL**  
SCALE: 2:1



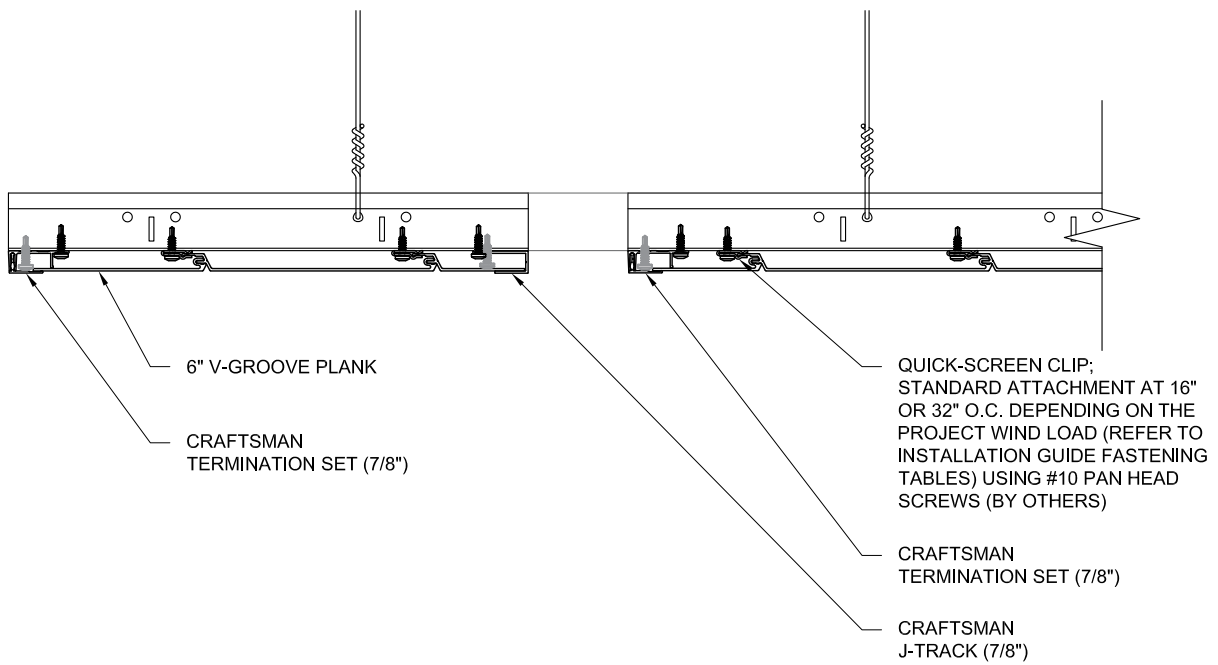
**1 ELEVATION**  
SCALE: 1:4

These drawings are published as an information guide only. These CAD drawings are intended as templates to assist the designer, they do not contain the full detail required for construction and must be read in conjunction with the installation instructions on [www.longboardproducts.com](http://www.longboardproducts.com). You should obtain architectural, engineering or other technical advice to assess the suitability of these drawings to the requirements of your particular project. Longboard Architectural Products accepts no liability in respect to the use of these drawings. For complete installation instructions refer to the appropriate documentation here [www.longboardproducts.com/resources/technical-documentation/installation-guides](http://www.longboardproducts.com/resources/technical-documentation/installation-guides)

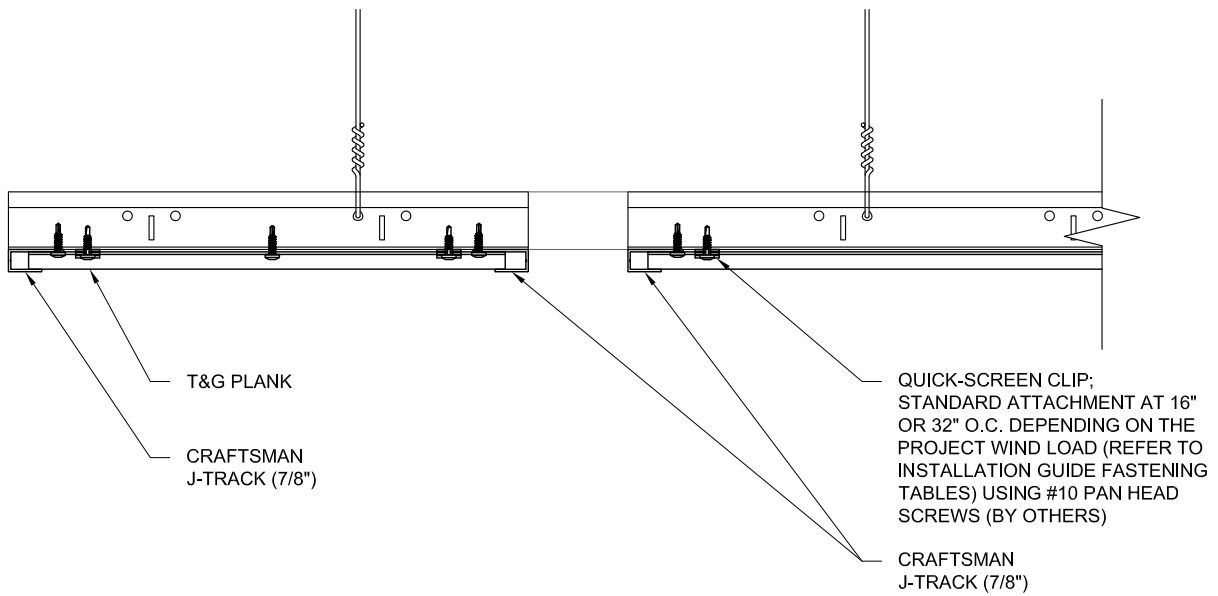
## HARD FASTENING DETAIL T&G HORIZONTAL

SCALE: AS INDICATED





PLANKS PARALLEL TO OPENING - SECTION VIEW



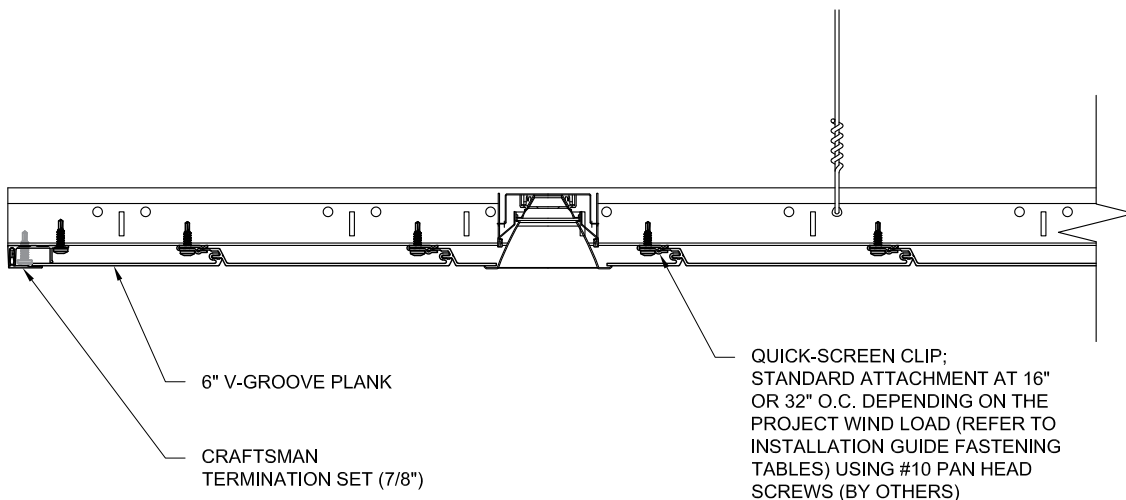
PLANKS PERPENDICULAR TO OPENING - SECTION VIEW

These drawings are published as an information guide only. These CAD drawings are intended as templates to assist the designer, they do not contain the full detail required for construction and must be read in conjunction with the installation instructions on [www.longboardproducts.com](http://www.longboardproducts.com). You should obtain architectural, engineering or other technical advice to assess the suitability of these drawings to the requirements of your particular project. Longboard Architectural Products accepts no liability in respect to the use of these drawings. For complete installation instructions refer to the appropriate documentation here [www.longboardproducts.com/resources/technical-documentation/installation-guides](http://www.longboardproducts.com/resources/technical-documentation/installation-guides)

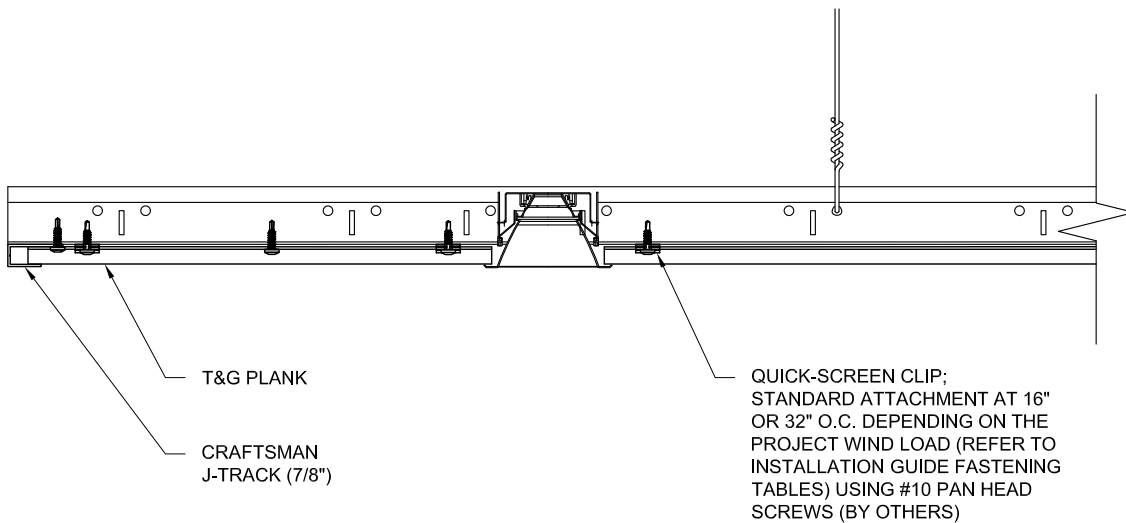
## CEILING WITH OPENING DETAIL T&G

SCALE: 1:5





PLANKS PARALLEL TO LIGHT FIXTURE - SECTION VIEW



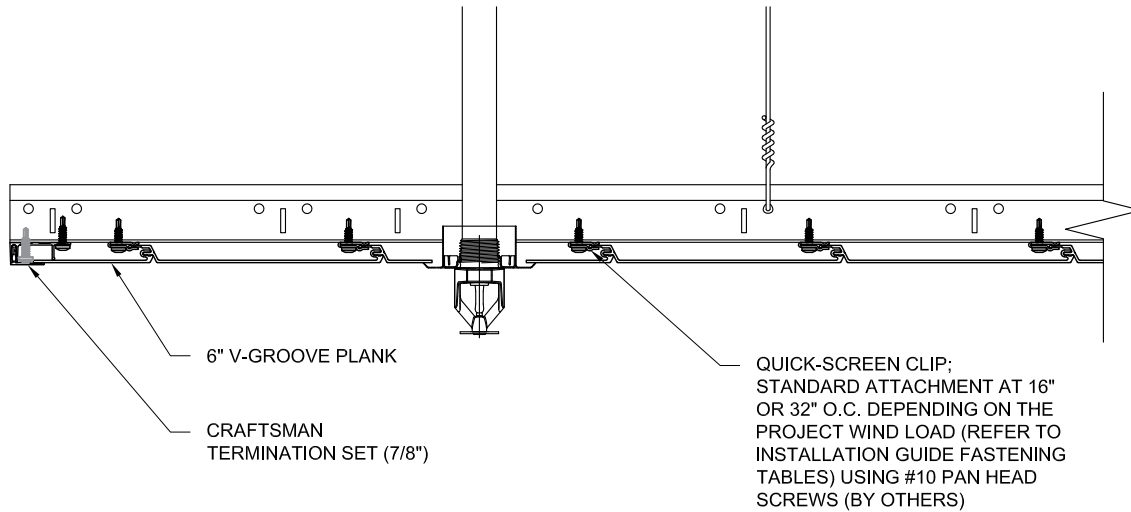
PLANKS PERPENDICULAR TO LIGHT FIXTURE - SECTION VIEW

These drawings are published as an information guide only. These CAD drawings are intended as templates to assist the designer, they do not contain the full detail required for construction and must be read in conjunction with the installation instructions on [www.longboardproducts.com](http://www.longboardproducts.com). You should obtain architectural, engineering or other technical advice to assess the suitability of these drawings to the requirements of your particular project. Longboard Architectural Products accepts no liability in respect to the use of these drawings. For complete installation instructions refer to the appropriate documentation here [www.longboardproducts.com/resources/technical-documentation/installation-guides](http://www.longboardproducts.com/resources/technical-documentation/installation-guides)

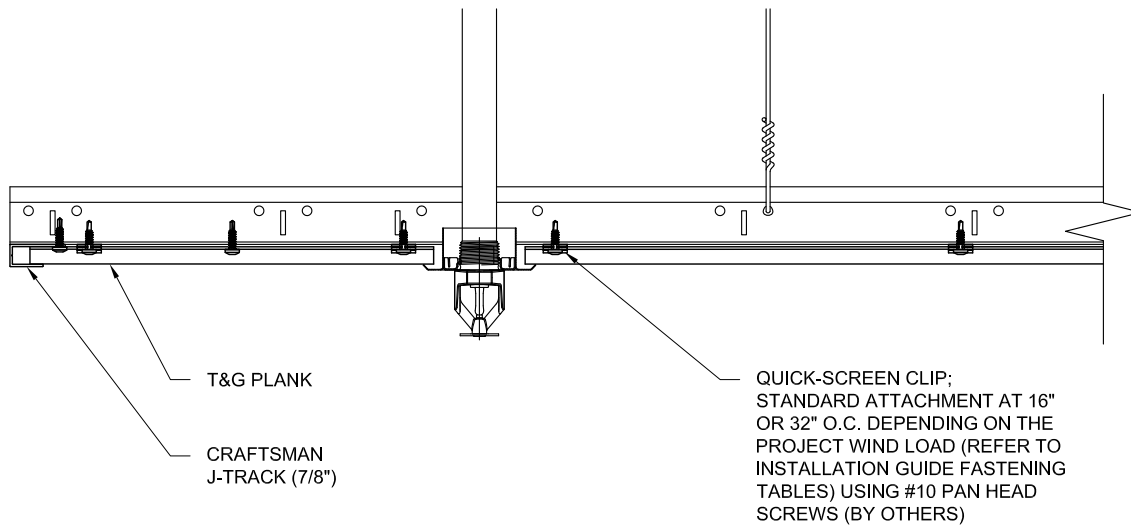
CEILING WITH LIGHT FIXTURE DETAIL  
T&G

SCALE: 1:5





PLANKS PARALLEL TO FIRE SPRINKLER - SECTION VIEW



PLANKS PERPENDICULAR TO FIRE SPRINKLER - SECTION VIEW

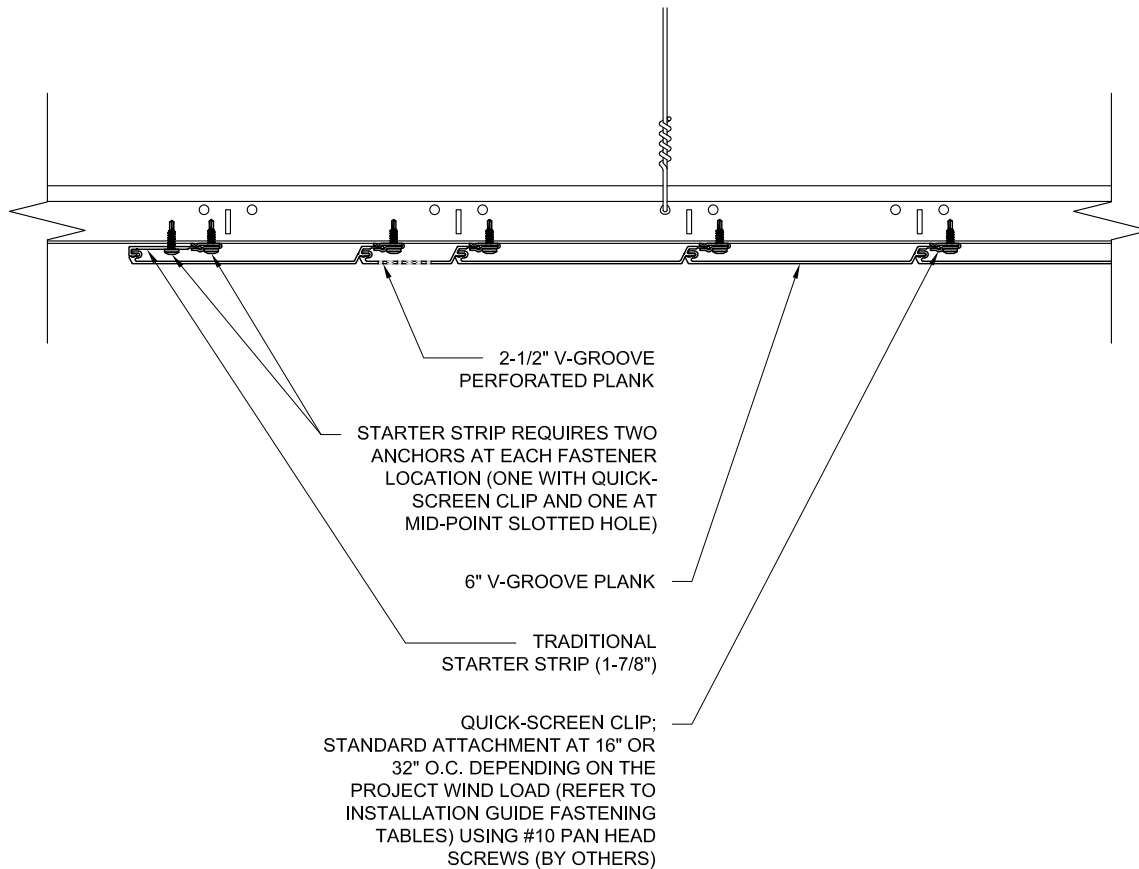
These drawings are published as an information guide only. These CAD drawings are intended as templates to assist the designer, they do not contain the full detail required for construction and must be read in conjunction with the installation instructions on [www.longboardproducts.com](http://www.longboardproducts.com). You should obtain architectural, engineering or other technical advice to assess the suitability of these drawings to the requirements of your particular project. Longboard Architectural Products accepts no liability in respect to the use of these drawings. For complete installation instructions refer to the appropriate documentation here [www.longboardproducts.com/resources/technical-documentation/installation-guides](http://www.longboardproducts.com/resources/technical-documentation/installation-guides)

CEILING WITH FIRE SPRINKLER DETAIL  
T&G

SCALE: 1:5







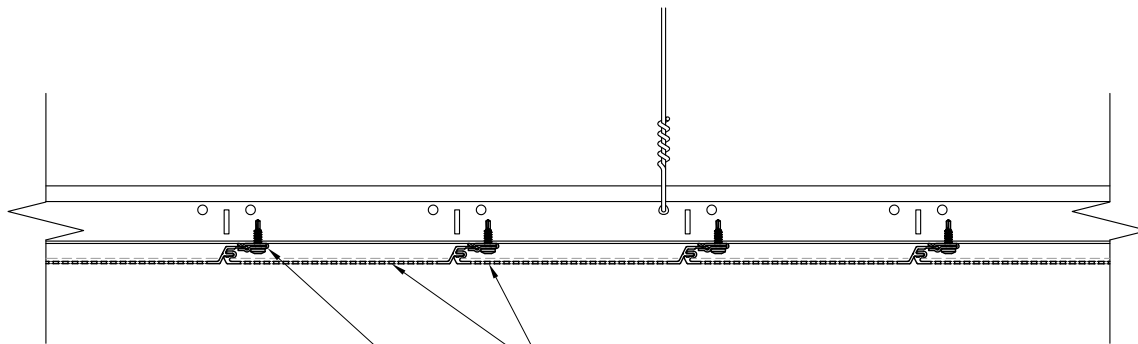
SECTION VIEW

These drawings are published as an information guide only. These CAD drawings are intended as templates to assist the designer, they do not contain the full detail required for construction and must be read in conjunction with the installation instructions on [www.longboardproducts.com](http://www.longboardproducts.com). You should obtain architectural, engineering or other technical advice to assess the suitability of these drawings to the requirements of your particular project. Longboard Architectural Products accepts no liability in respect to the use of these drawings. For complete installation instructions refer to the appropriate documentation here [www.longboardproducts.com/resources/technical-documentation/installation-guides](http://www.longboardproducts.com/resources/technical-documentation/installation-guides)

## 2-1/2" PERFORATED PLANK CEILING DETAIL - T&G

SCALE: 1:5





6" V-GROOVE  
PERFORATED PLANK  
WITH SOUNDTEX®

QUICK-SCREEN CLIP:  
STANDARD ATTACHMENT AT 16" OR  
32" O.C. DEPENDING ON THE  
PROJECT WIND LOAD (REFER TO  
INSTALLATION GUIDE FASTENING  
TABLES) USING #10 PAN HEAD  
SCREWS (BY OTHERS)

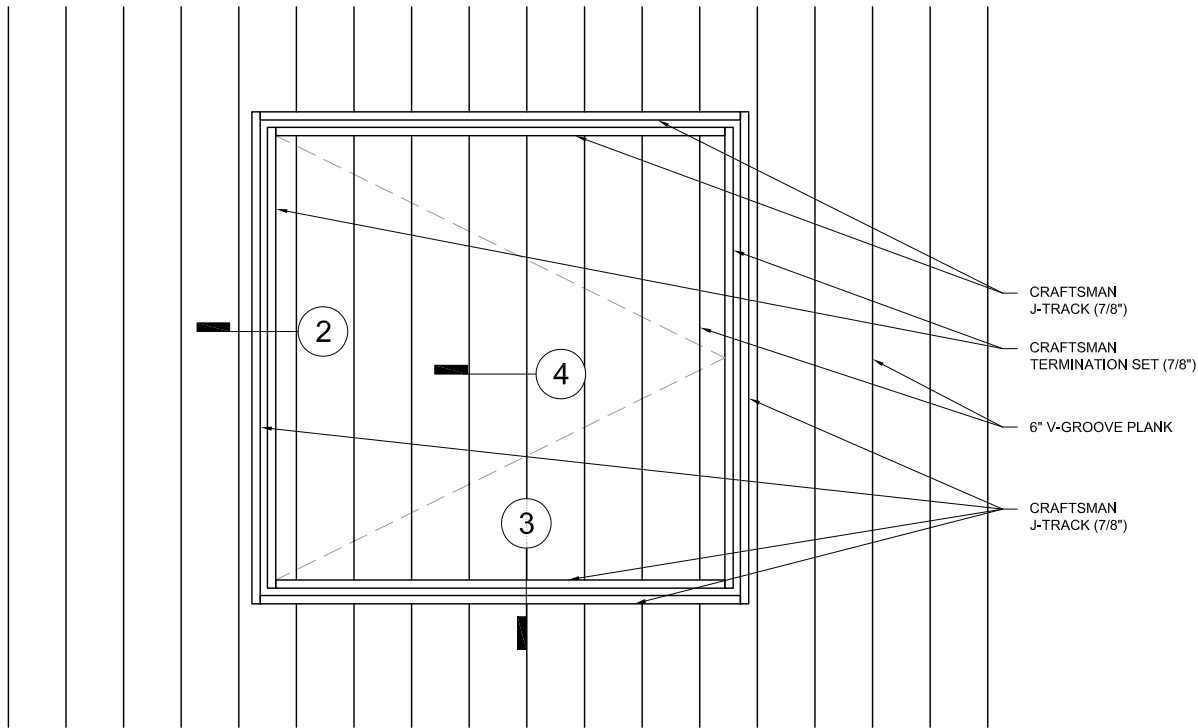
SECTION VIEW

These drawings are published as an information guide only. These CAD drawings are intended as templates to assist the designer, they do not contain the full detail required for construction and must be read in conjunction with the installation instructions on [www.longboardproducts.com](http://www.longboardproducts.com). You should obtain architectural, engineering or other technical advice to assess the suitability of these drawings to the requirements of your particular project. Longboard Architectural Products accepts no liability in respect to the use of these drawings. For complete installation instructions refer to the appropriate documentation here [www.longboardproducts.com/resources/technical-documentation/installation-guides](http://www.longboardproducts.com/resources/technical-documentation/installation-guides)

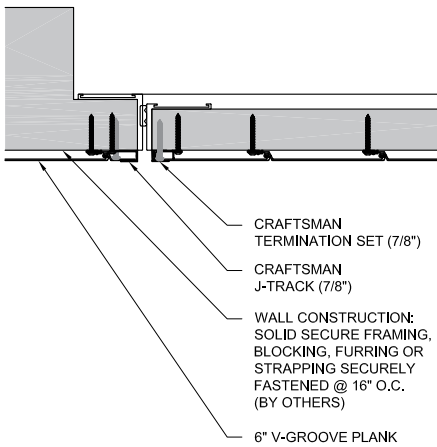
## 6" V-GROOVE PERFORATED PLANK WITH SOUNDTEX® - T&G

SCALE: 1:5

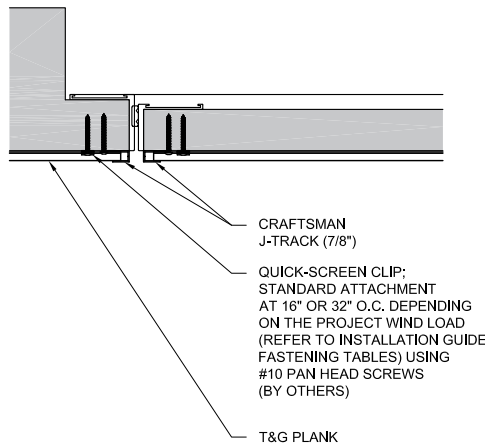




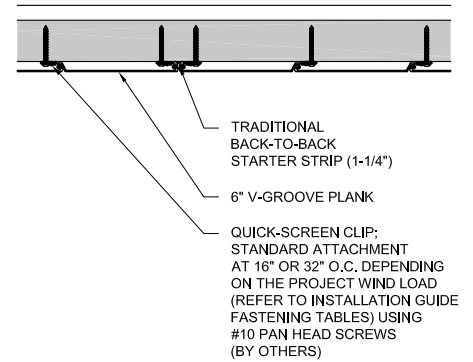
**1** SOFFIT ACCESS PANEL  
SCALE: 1:20



**2** SECTION DETAIL  
SCALE: 1:10



**3** SECTION DETAIL  
SCALE: 1:10



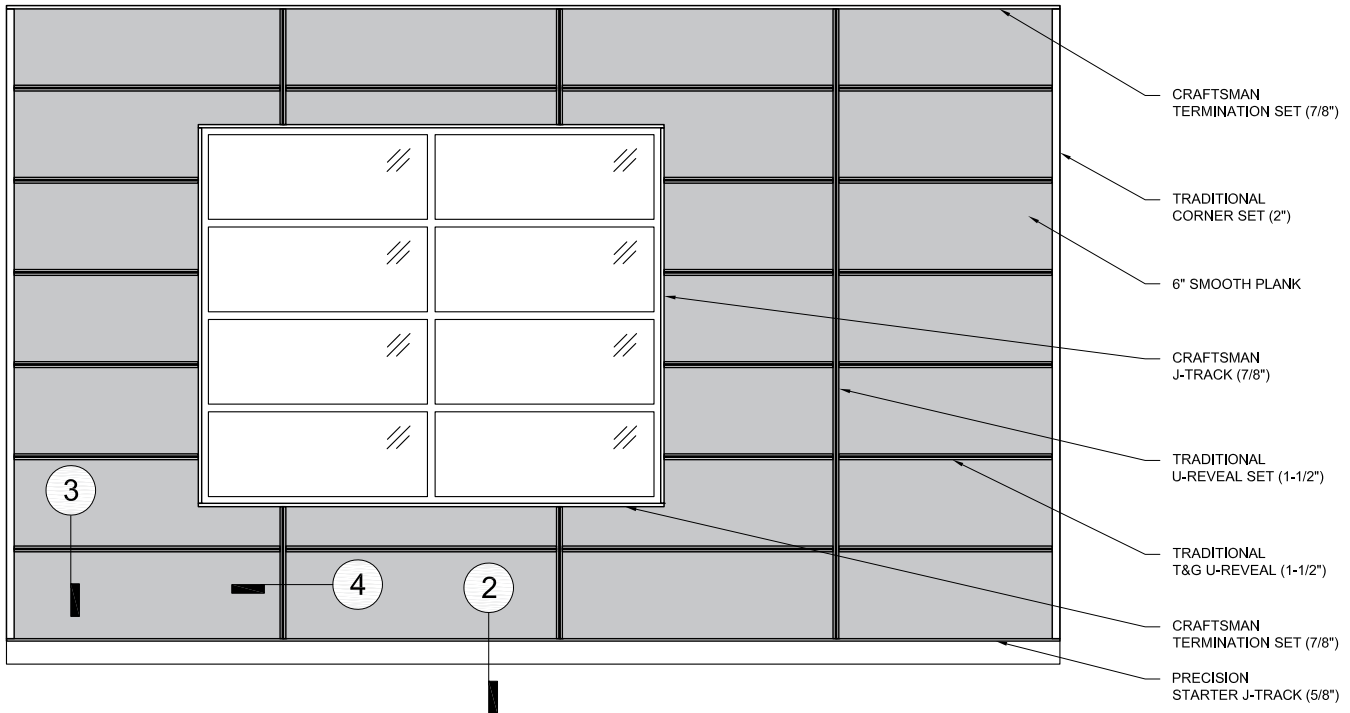
**4** BACK-TO-BACK STARTER STRIP DETAIL  
SCALE: 1:10

These drawings are published as an information guide only. These CAD drawings are intended as templates to assist the designer, they do not contain the full detail required for construction and must be read in conjunction with the installation instructions on [www.longboardproducts.com](http://www.longboardproducts.com). You should obtain architectural, engineering or other technical advice to assess the suitability of these drawings to the requirements of your particular project. Longboard Architectural Products accepts no liability in respect to the use of these drawings. For complete installation instructions refer to the appropriate documentation here [www.longboardproducts.com/resources/technical-documentation/installation-guides](http://www.longboardproducts.com/resources/technical-documentation/installation-guides)

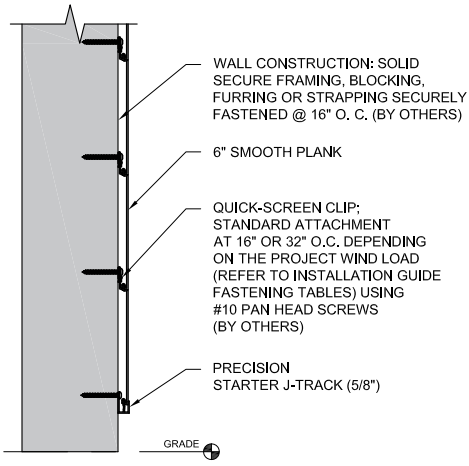
## CEILING ACCESS PANEL DETAIL - T&G

SCALE: AS INDICATED

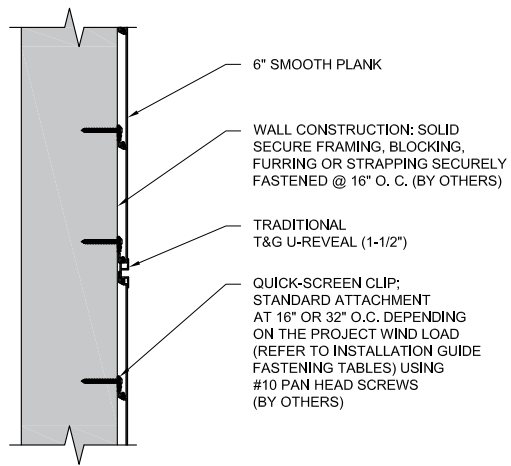




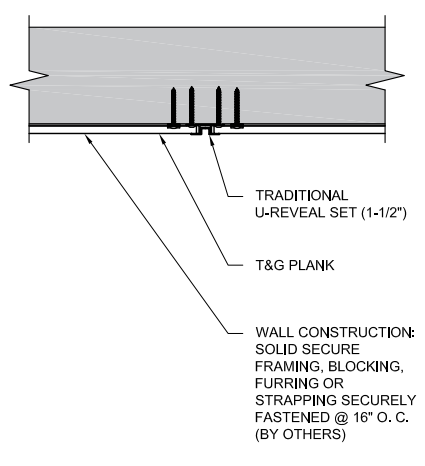
**1** ELEVATION  
SCALE: 1:50



**2** PRECISION STARTER J-TRACK DETAIL  
SCALE: 1:10



**3** TRADITIONAL T&G U-REVEAL DETAIL  
SCALE: 1:10



**4** TRADITIONAL U-REVEAL SET DETAIL  
SCALE: 1:10

These drawings are published as an information guide only. These CAD drawings are intended as templates to assist the designer, they do not contain the full detail required for construction and must be read in conjunction with the installation instructions on [www.longboardproducts.com](http://www.longboardproducts.com). You should obtain architectural, engineering or other technical advice to assess the suitability of these drawings to the requirements of your particular project. Longboard Architectural Products accepts no liability in respect to the use of these drawings. For complete installation instructions refer to the appropriate documentation here [www.longboardproducts.com/resources/technical-documentation/installation-guides](http://www.longboardproducts.com/resources/technical-documentation/installation-guides)

**6" SMOOTH PLANKS  
(PANELBOARD™) DETAIL  
T&G HORIZONTAL  
SCALE: AS INDICATED**

