

## T&G CLADDING EXTERIOR PROFILES

### TABLE OF CONTENT

(Click on the drawing name below to be directed to the right profile)

[2.5 IN V-GROOVE](#)

[4 IN V-GROOVE](#)

[6 IN V-GROOVE](#)

[6 IN CHANNEL](#)

[6 IN SMOOTH PLANK](#)

[2.5 IN V-GROOVE PERFORATED](#)

[6 IN V-GROOVE PERFORATED](#)

[6 IN SMOOTH PLANK PERFORATED](#)

[3 IN SMOOTH CORNER PLANK](#)

[3 IN V-GROOVE CORNER PLANK](#)

[4 IN CASTELLATION PLANK](#)

[8 IN CASTELLATION PLANK](#)

[6 IN SINGLE BEVEL PLANK](#)

[6 IN TRIPLE BEVEL PLANK](#)

[TRADITIONAL STARTER STRIP \(1-7/8"\)](#)

[TRADITIONAL BACK-TO-BACK STARTER STRIP \(1-1/4"\)](#)

[TRADITIONAL J-TRACK \(1-3/8"\)](#)

[TRADITIONAL TWO PIECE J-TRACK \(1-3/8"\)](#)

[TRADITIONAL TERMINATION SET \(1-3/8"\)](#)

[TRADITIONAL CORNER SET \(2"\)](#)

[TRADITIONAL COMPRESSION JOINT \(1-3/8"\)](#)

[TRADITIONAL T&G U-REVEAL \(1-1/2"\)](#)

[TRADITIONAL FLAT REVEAL SET \(1-1/2"\)](#)

[TRADITIONAL U-REVEAL SET \(1-1/2"\)](#)

[TRADITIONAL OFFSET REVEAL, J-TRACK BASE \(2"\)](#)

[TRADITIONAL OFFSET REVEAL, TERMINATION BASE \(2"\)](#)

[TRADITIONAL END SLEEVE \(1-1/2"\)](#)

[PRECISION STARTER J-TRACK \(5/8"\)](#)

[PRECISION J-TRACK \(5/8"\)](#)

[PRECISION TWO PIECE J-TRACK \(5/8"\)](#)

[PRECISION TERMINATION SET \(5/8"\)](#)

[PRECISION OUTSIDE CORNER \(3/16"\)](#)

[PRECISION T&G FLAT REVEAL \(1/2"\)](#)

[PRECISION FLAT REVEAL \(1/2"\)](#)

[CRAFTSMAN TWO PIECE J-TRACK \(7/8"\)](#)

[CRAFTSMAN INSIDE CORNER \(3/4"\)](#)

[CRAFTSMAN OUTSIDE CORNER \(1"\)](#)

[CRAFTSMAN T&G U-REVEAL \(3/4"\)](#)

[CRAFTSMAN U-REVEAL SET \(3/4"\)](#)

CRAFTSMAN TERMINATION SET (7/8")

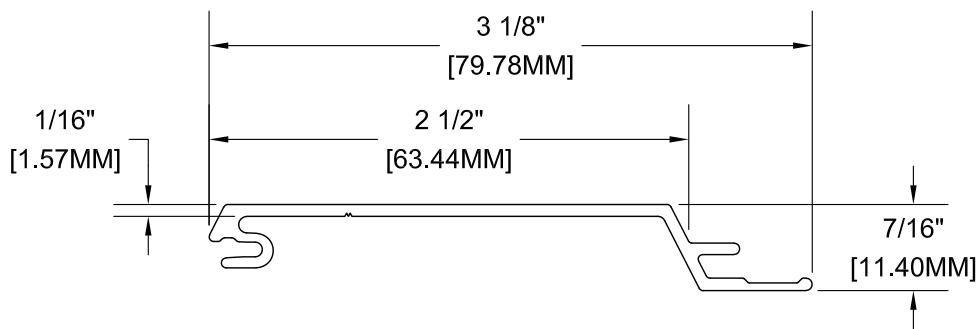
CRAFTSMAN END SLEEVE (3/4")

CRAFTSMAN J-TRACK (7/8")

QUICK SCREEN CLIP

T&G BUTT-JOINT FASTENING KIT

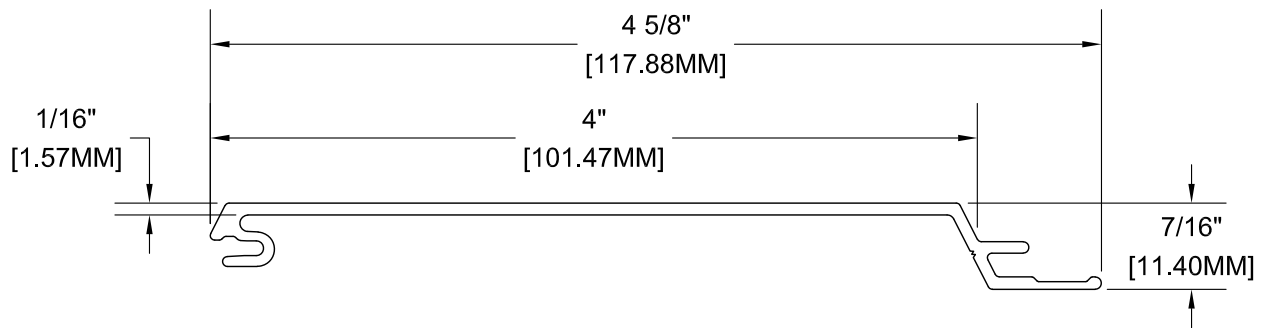
1/16 IN U-SHIM



These drawings are published as an information guide only. These CAD drawings are intended as templates to assist the designer, they do not contain the full detail required for construction and must be read in conjunction with the installation instructions on [www.longboardproducts.com](http://www.longboardproducts.com). You should obtain architectural, engineering or other technical advice to assess the suitability of these drawings to the requirements of your particular project. Longboard Architectural Products accepts no liability in respect to the use of these drawings. For complete installation instructions refer to the appropriate documentation here [www.longboardproducts.com/resources/technical-documentation/installation-guides](http://www.longboardproducts.com/resources/technical-documentation/installation-guides)

**2-1/2" V-GROOVE**  
**ALUMINUM ALLOY: 6063-T5**  
**WEIGHT: 0.309 LBS/ LF**  
**SCALE: 1:1**

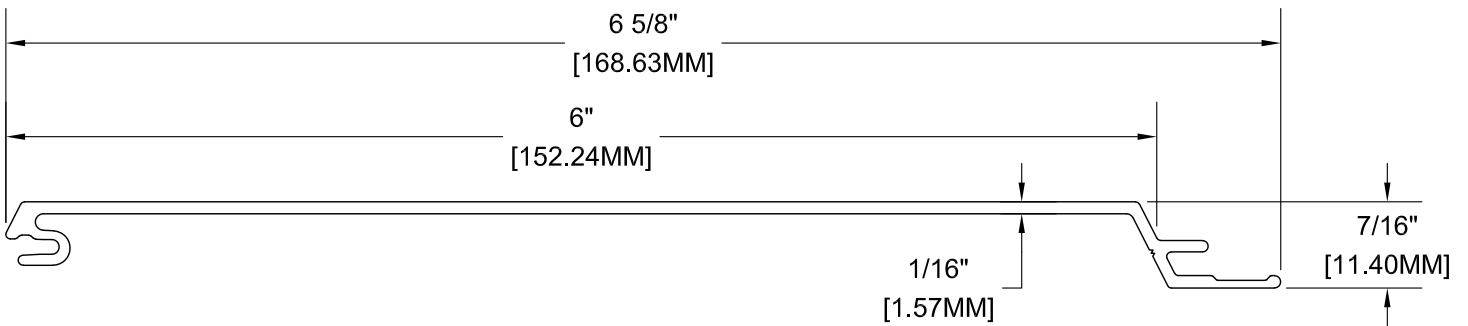




These drawings are published as an information guide only. These CAD drawings are intended as templates to assist the designer, they do not contain the full detail required for construction and must be read in conjunction with the installation instructions on [www.longboardproducts.com](http://www.longboardproducts.com). You should obtain architectural, engineering or other technical advice to assess the suitability of these drawings to the requirements of your particular project. Longboard Architectural Products accepts no liability in respect to the use of these drawings. For complete installation instructions refer to the appropriate documentation here [www.longboardproducts.com/resources/technical-documentation/installation-guides](http://www.longboardproducts.com/resources/technical-documentation/installation-guides)

**4" V-GROOVE**  
**ALUMINUM ALLOY: 6063-T5**  
**WEIGHT: 0.407 LBS/ LF**  
**SCALE: 1:1**

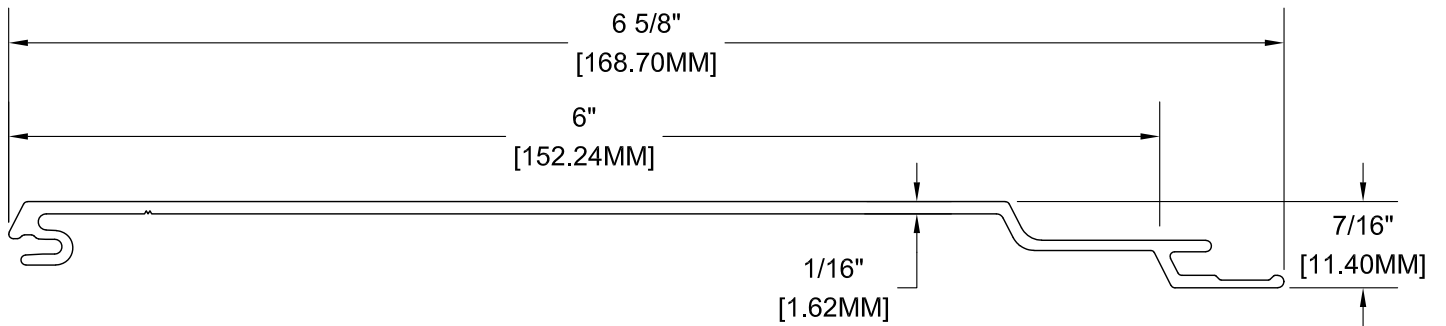




These drawings are published as an information guide only. These CAD drawings are intended as templates to assist the designer, they do not contain the full detail required for construction and must be read in conjunction with the installation instructions on [www.longboardproducts.com](http://www.longboardproducts.com). You should obtain architectural, engineering or other technical advice to assess the suitability of these drawings to the requirements of your particular project. Longboard Architectural Products accepts no liability in respect to the use of these drawings. For complete installation instructions refer to the appropriate documentation here [www.longboardproducts.com/resources/technical-documentation/installation-guides](http://www.longboardproducts.com/resources/technical-documentation/installation-guides)

**6" V-GROOVE**  
**ALUMINUM ALLOY: 6063-T5**  
**WEIGHT: 0.552 LBS/ LF**  
**SCALE: 1:1**

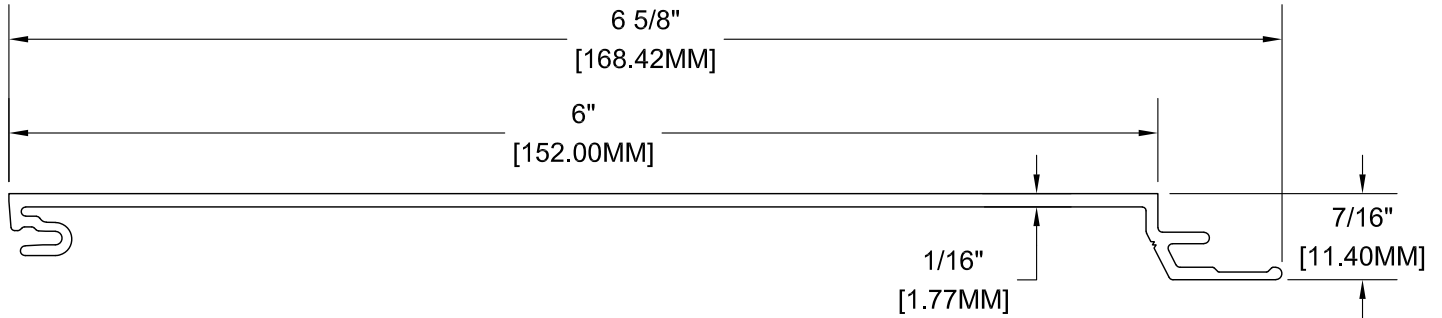




These drawings are published as an information guide only. These CAD drawings are intended as templates to assist the designer, they do not contain the full detail required for construction and must be read in conjunction with the installation instructions on [www.longboardproducts.com](http://www.longboardproducts.com). You should obtain architectural, engineering or other technical advice to assess the suitability of these drawings to the requirements of your particular project. Longboard Architectural Products accepts no liability in respect to the use of these drawings. For complete installation instructions refer to the appropriate documentation here [www.longboardproducts.com/resources/technical-documentation/installation-guides](http://www.longboardproducts.com/resources/technical-documentation/installation-guides)

**6" CHANNEL**  
**ALUMINUM ALLOY: 6063-T5**  
**WEIGHT: 0.556 LBS/ LF**  
**SCALE: 1:1**

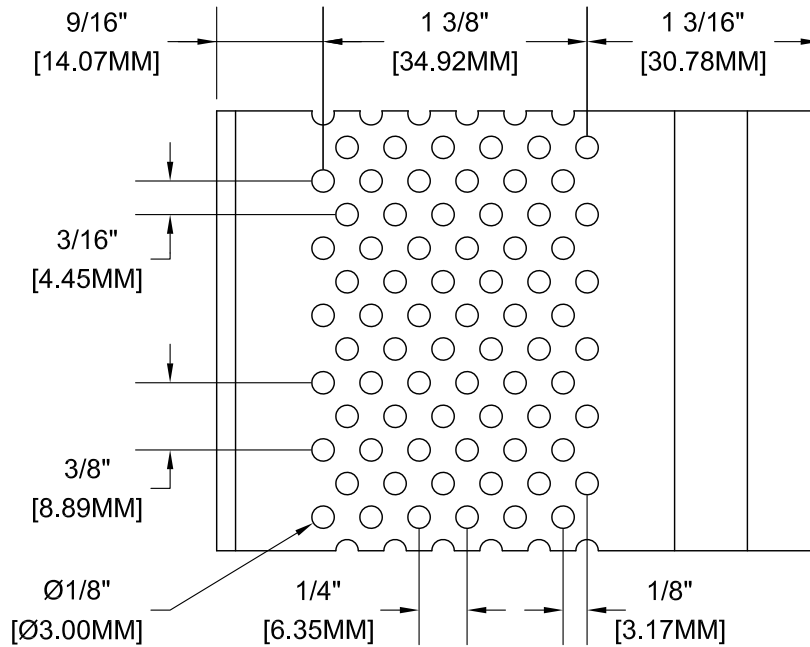
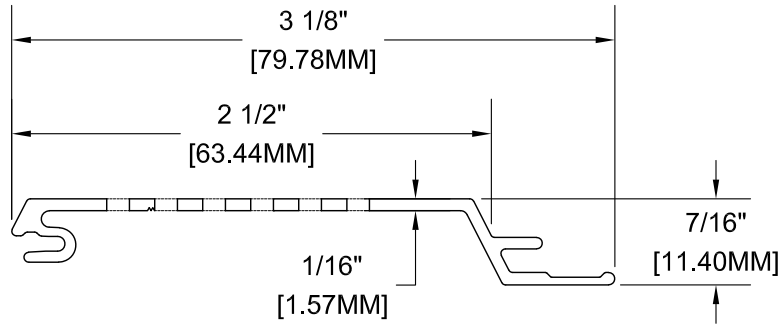




These drawings are published as an information guide only. These CAD drawings are intended as templates to assist the designer, they do not contain the full detail required for construction and must be read in conjunction with the installation instructions on [www.longboardproducts.com](http://www.longboardproducts.com). You should obtain architectural, engineering or other technical advice to assess the suitability of these drawings to the requirements of your particular project. Longboard Architectural Products accepts no liability in respect to the use of these drawings. For complete installation instructions refer to the appropriate documentation here [www.longboardproducts.com/resources/technical-documentation/installation-guides](http://www.longboardproducts.com/resources/technical-documentation/installation-guides)

**6" SMOOTH PLANK**  
**ALUMINUM ALLOY: 6063-T5**  
**WEIGHT: 0.556 LBS/ LF**  
**SCALE: 1:1**



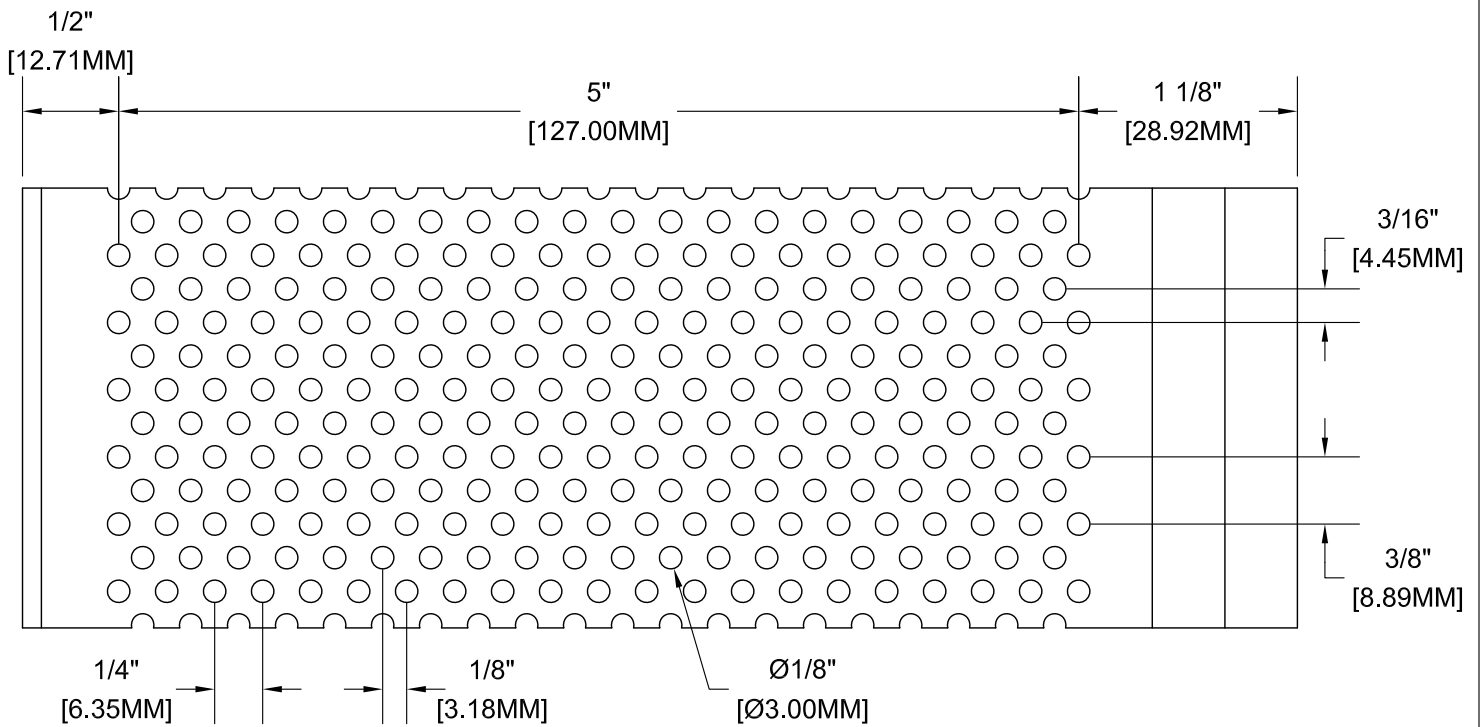
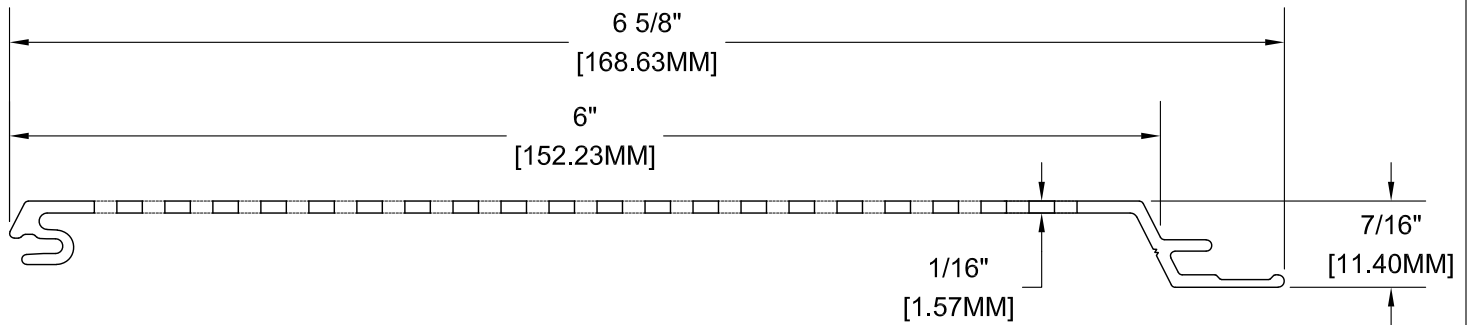


These drawings are published as an information guide only. These CAD drawings are intended as templates to assist the designer, they do not contain the full detail required for construction and must be read in conjunction with the installation instructions on [www.longboardproducts.com](http://www.longboardproducts.com). You should obtain architectural, engineering or other technical advice to assess the suitability of these drawings to the requirements of your particular project. Longboard Architectural Products accepts no liability in respect to the use of these drawings. For complete installation instructions refer to the appropriate documentation here [www.longboardproducts.com/resources/technical-documentation/installation-guides](http://www.longboardproducts.com/resources/technical-documentation/installation-guides)

**2-1/2" V-GROOVE PERFORATED**  
**ALUMINUM ALLOY: 6063-T5**  
**WEIGHT: 0.270 LBS/ LF**  
**NFA: 15%**  
**SCALE: 1:1**



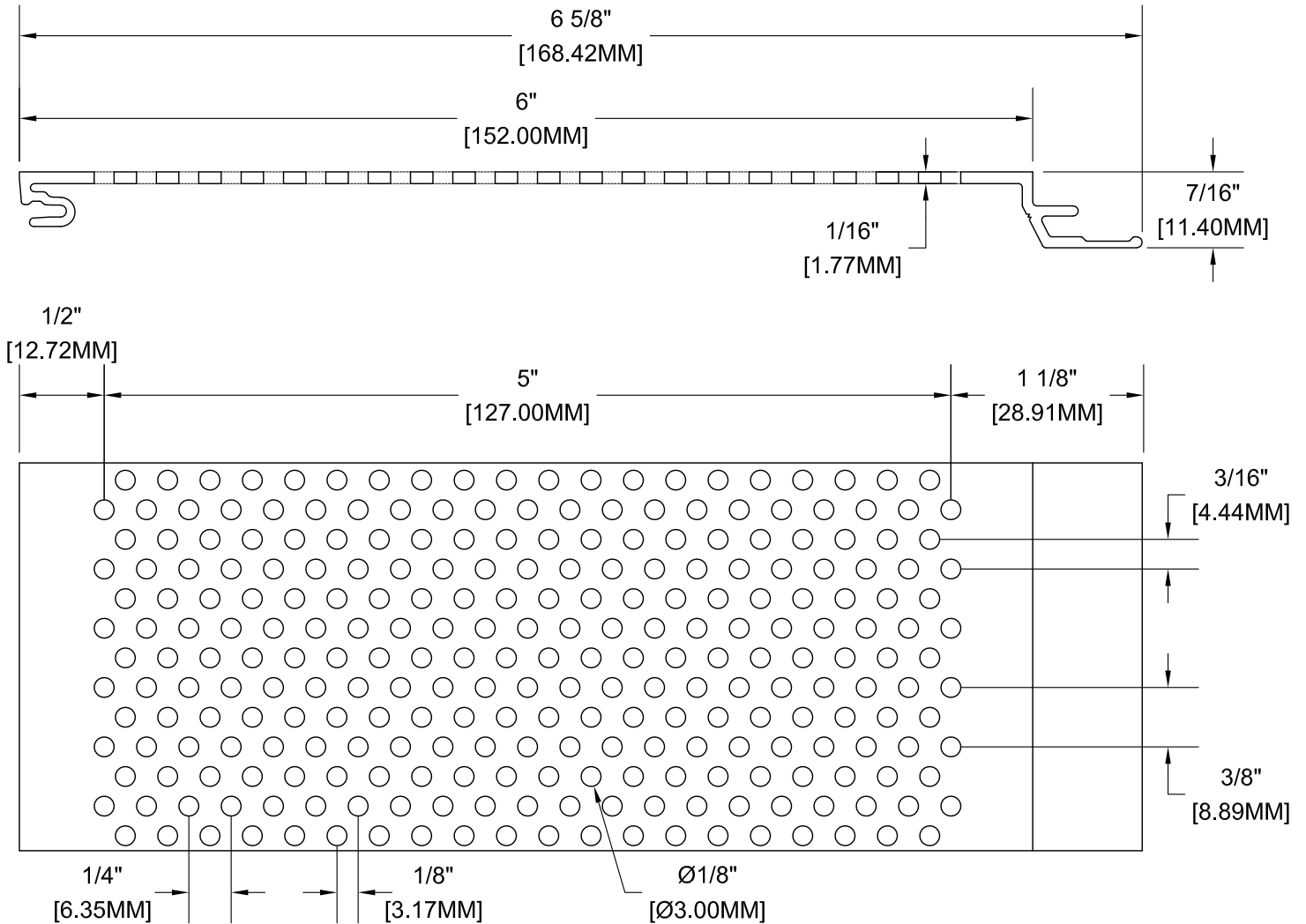




These drawings are published as an information guide only. These CAD drawings are intended as templates to assist the designer, they do not contain the full detail required for construction and must be read in conjunction with the installation instructions on [www.longboardproducts.com](http://www.longboardproducts.com). You should obtain architectural, engineering or other technical advice to assess the suitability of these drawings to the requirements of your particular project. Longboard Architectural Products accepts no liability in respect to the use of these drawings. For complete installation instructions refer to the appropriate documentation here [www.longboardproducts.com/resources/technical-documentation/installation-guides](http://www.longboardproducts.com/resources/technical-documentation/installation-guides)

**6" V-GROOVE PERFORATED**  
**ALUMINUM ALLOY: 6063-T5**  
**WEIGHT: 0.460 LBS/ LF**  
**NFA: 21%**  
**SCALE: 1:1**

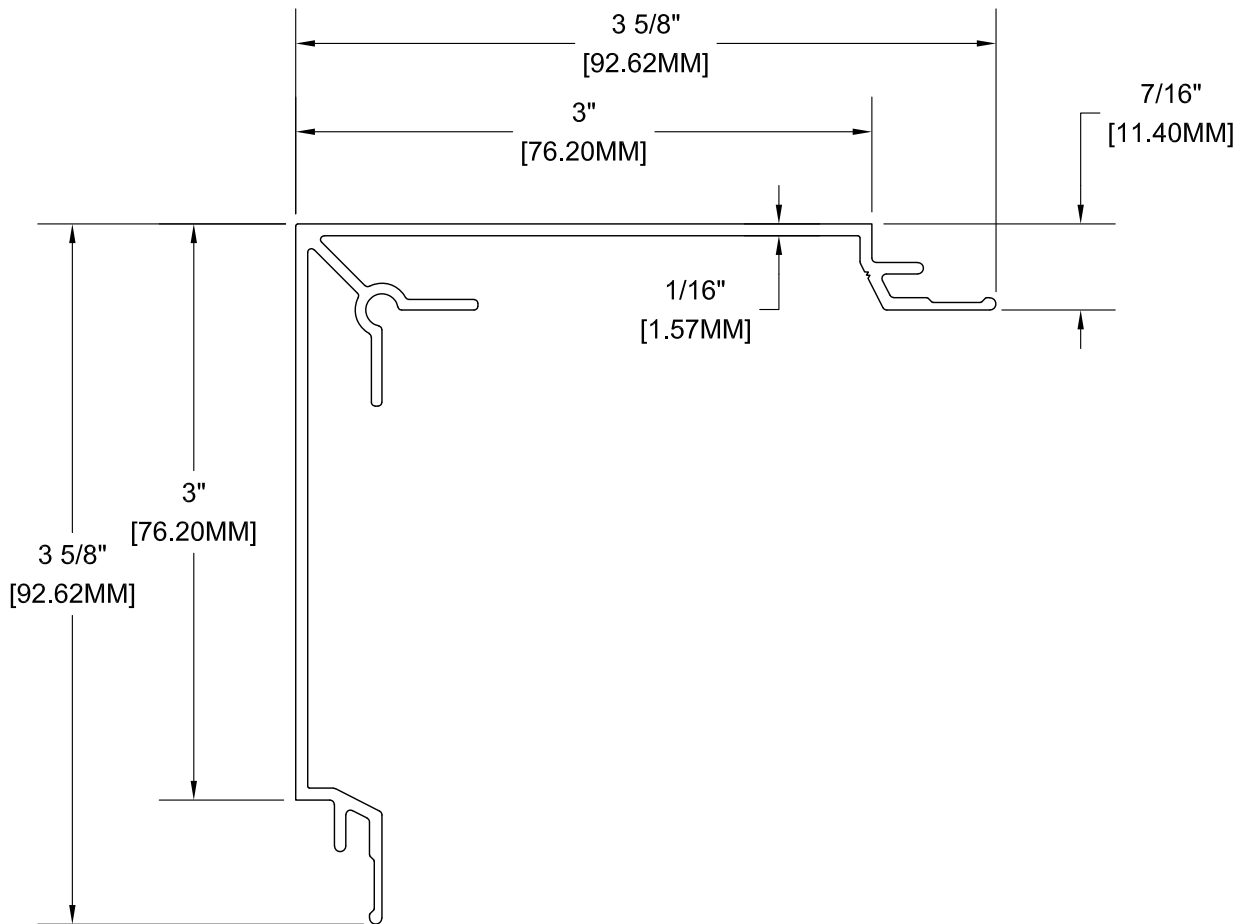




These drawings are published as an information guide only. These CAD drawings are intended as templates to assist the designer, they do not contain the full detail required for construction and must be read in conjunction with the installation instructions on [www.longboardproducts.com](http://www.longboardproducts.com). You should obtain architectural, engineering or other technical advice to assess the suitability of these drawings to the requirements of your particular project. Longboard Architectural Products accepts no liability in respect to the use of these drawings. For complete installation instructions refer to the appropriate documentation here [www.longboardproducts.com/resources/technical-documentation/installation-guides](http://www.longboardproducts.com/resources/technical-documentation/installation-guides)

**6" SMOOTH PERFORATED**  
**ALUMINUM ALLOY: 6063-T5**  
**WEIGHT: 0.492 LBS/ LF**  
**NFA: 21%**  
**SCALE: 1:1**

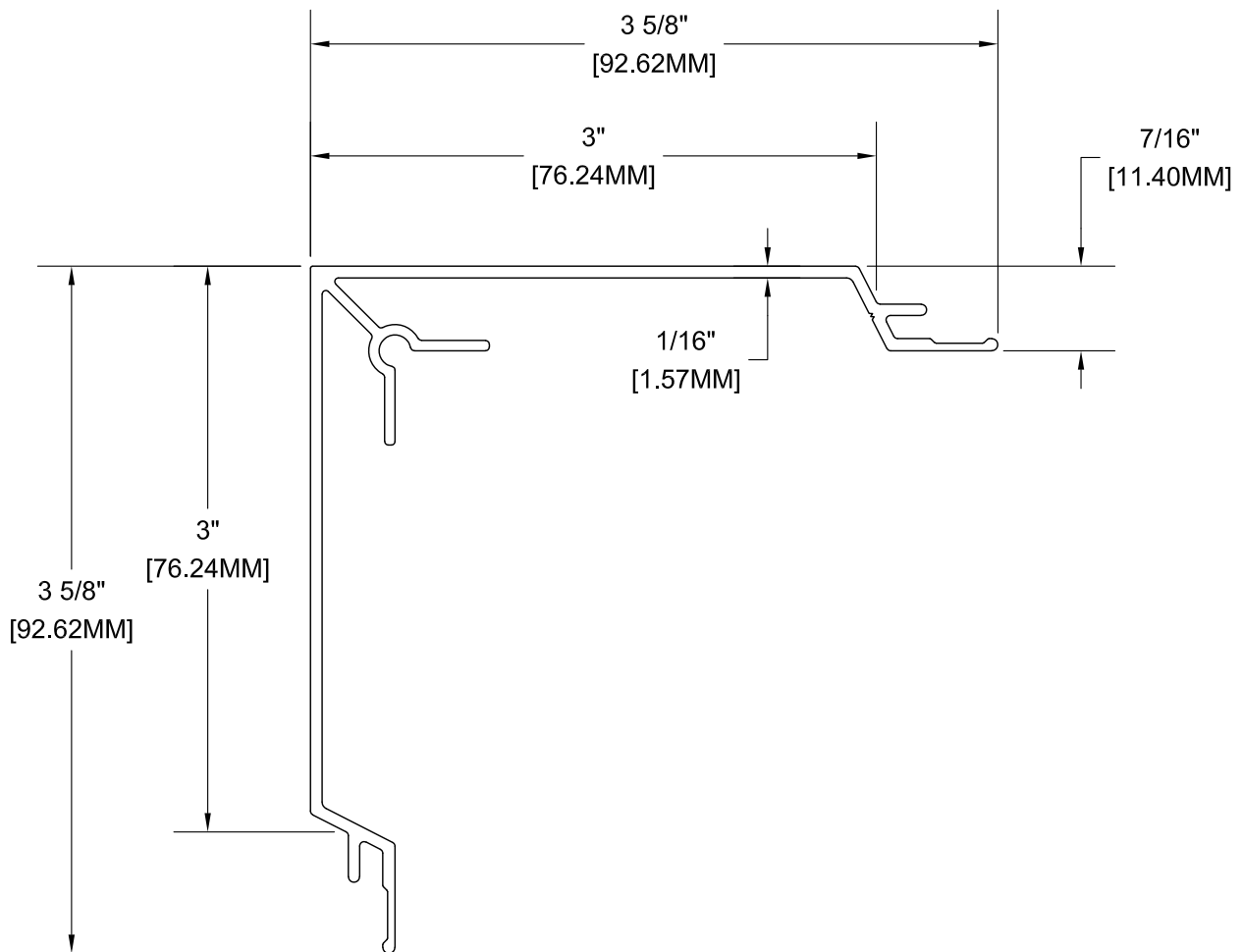




These drawings are published as an information guide only. These CAD drawings are intended as templates to assist the designer, they do not contain the full detail required for construction and must be read in conjunction with the installation instructions on [www.longboardproducts.com](http://www.longboardproducts.com). You should obtain architectural, engineering or other technical advice to assess the suitability of these drawings to the requirements of your particular project. Longboard Architectural Products accepts no liability in respect to the use of these drawings. For complete installation instructions refer to the appropriate documentation here [www.longboardproducts.com/resources/technical-documentation/installation-guides](http://www.longboardproducts.com/resources/technical-documentation/installation-guides)

**3" SMOOTH CORNER PLANK**  
 ALUMINUM ALLOY: 6063-T5  
 WEIGHT: 0.726 LBS/ LF  
 SCALE: 1:1

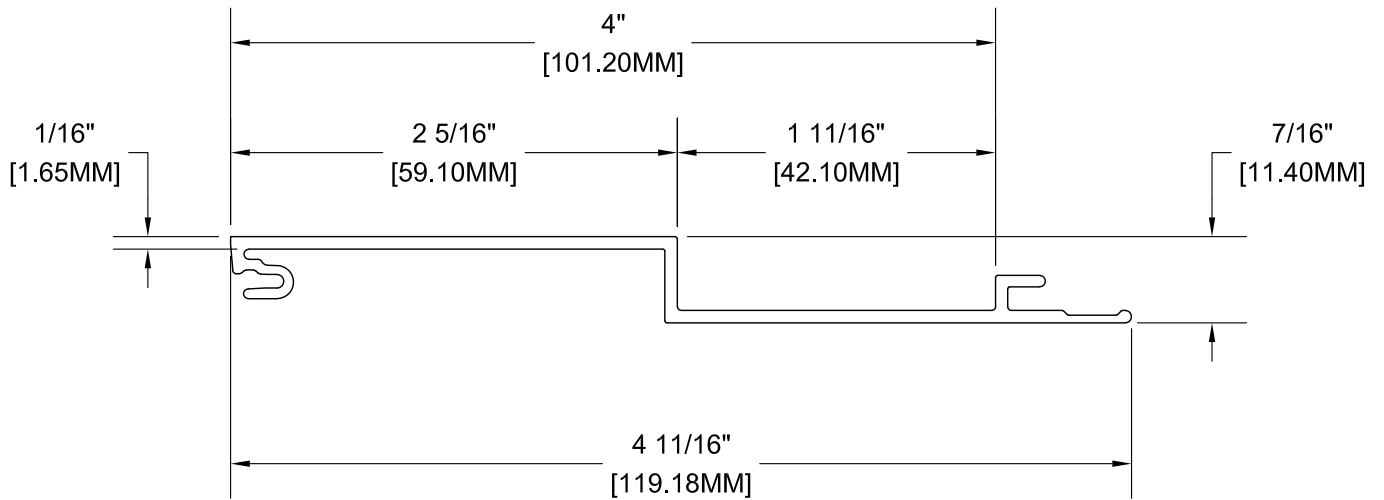




These drawings are published as an information guide only. These CAD drawings are intended as templates to assist the designer, they do not contain the full detail required for construction and must be read in conjunction with the installation instructions on [www.longboardproducts.com](http://www.longboardproducts.com). You should obtain architectural, engineering or other technical advice to assess the suitability of these drawings to the requirements of your particular project. Longboard Architectural Products accepts no liability in respect to the use of these drawings. For complete installation instructions refer to the appropriate documentation here [www.longboardproducts.com/resources/technical-documentation/installation-guides](http://www.longboardproducts.com/resources/technical-documentation/installation-guides)

**3" V-GROOVE CORNER PLANK**  
 ALUMINUM ALLOY: 6063-T5  
 WEIGHT: 0.713 LBS/ LF  
 SCALE: 1:1

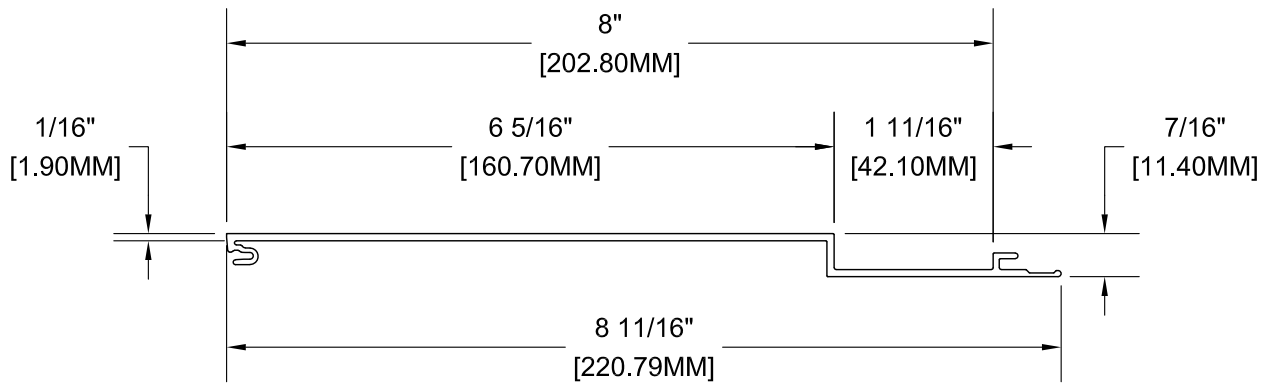




These drawings are published as an information guide only. These CAD drawings are intended as templates to assist the designer, they do not contain the full detail required for construction and must be read in conjunction with the installation instructions on [www.longboardproducts.com](http://www.longboardproducts.com). You should obtain architectural, engineering or other technical advice to assess the suitability of these drawings to the requirements of your particular project. Longboard Architectural Products accepts no liability in respect to the use of these drawings. For complete installation instructions refer to the appropriate documentation here [www.longboardproducts.com/resources/technical-documentation/installation-guides](http://www.longboardproducts.com/resources/technical-documentation/installation-guides)

**4" CASTELLATION PLANK**  
 ALUMINUM ALLOY: 6063-T5  
 WEIGHT: 0.464 LBS/ LF  
 SCALE: 1:1

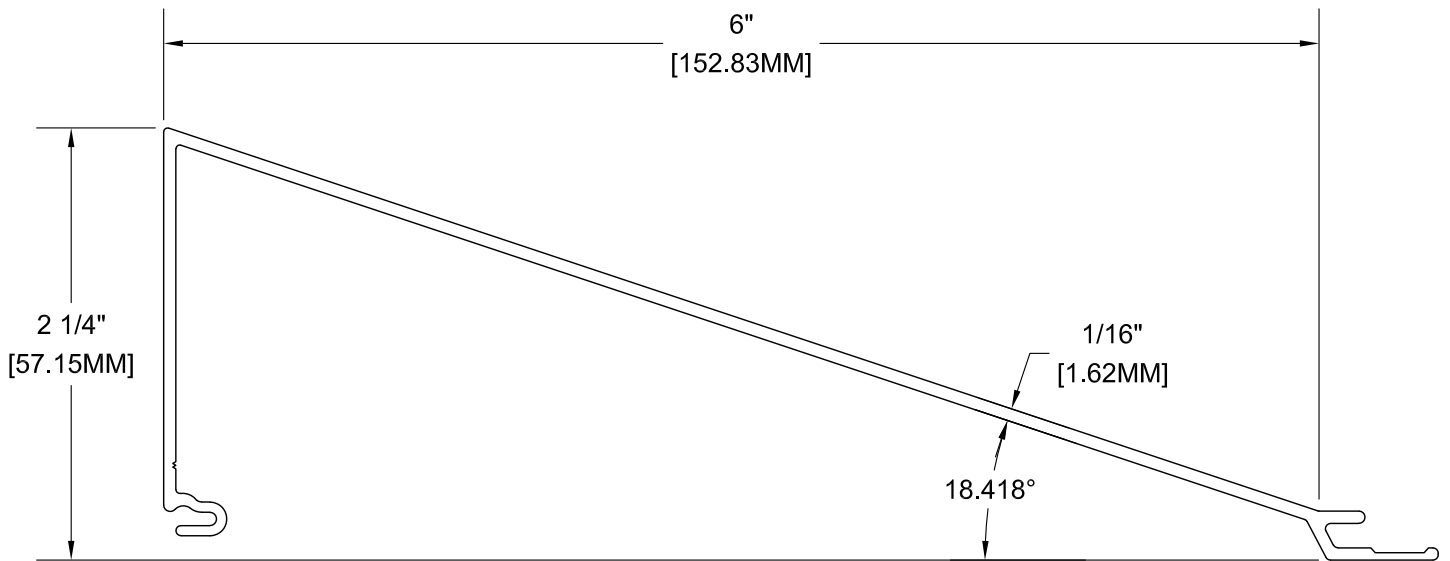




These drawings are published as an information guide only. These CAD drawings are intended as templates to assist the designer, they do not contain the full detail required for construction and must be read in conjunction with the installation instructions on [www.longboardproducts.com](http://www.longboardproducts.com). You should obtain architectural, engineering or other technical advice to assess the suitability of these drawings to the requirements of your particular project. Longboard Architectural Products accepts no liability in respect to the use of these drawings. For complete installation instructions refer to the appropriate documentation here [www.longboardproducts.com/resources/technical-documentation/installation-guides](http://www.longboardproducts.com/resources/technical-documentation/installation-guides)

**8" CASTELLATION PLANK**  
**ALUMINUM ALLOY: 6063-T5**  
**WEIGHT: 0.887 LBS/ LF**  
**SCALE: 1:2**

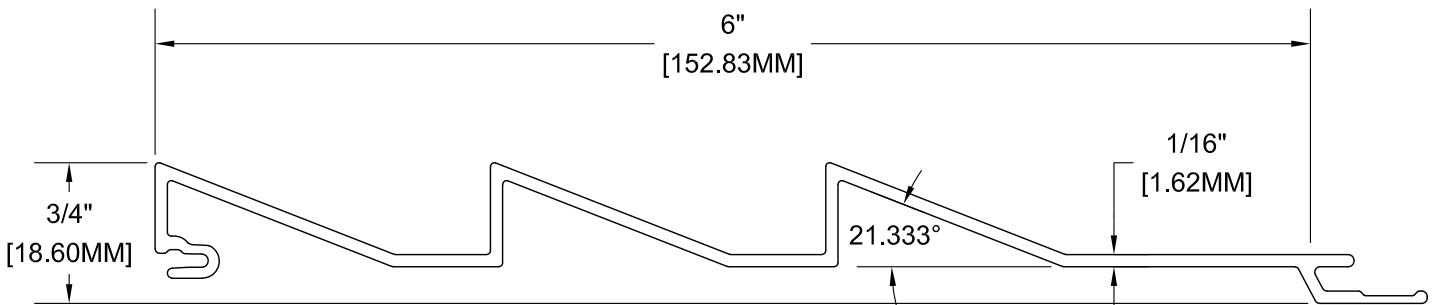




These drawings are published as an information guide only. These CAD drawings are intended as templates to assist the designer, they do not contain the full detail required for construction and must be read in conjunction with the installation instructions on [www.longboardproducts.com](http://www.longboardproducts.com). You should obtain architectural, engineering or other technical advice to assess the suitability of these drawings to the requirements of your particular project. Longboard Architectural Products accepts no liability in respect to the use of these drawings. For complete installation instructions refer to the appropriate documentation here [www.longboardproducts.com/resources/technical-documentation/installation-guides](http://www.longboardproducts.com/resources/technical-documentation/installation-guides)

**6" SINGLE BEVEL**  
ALUMINUM ALLOY: 6063-T5  
WEIGHT: 0.746 LBS/ LF  
SCALE: 1:1



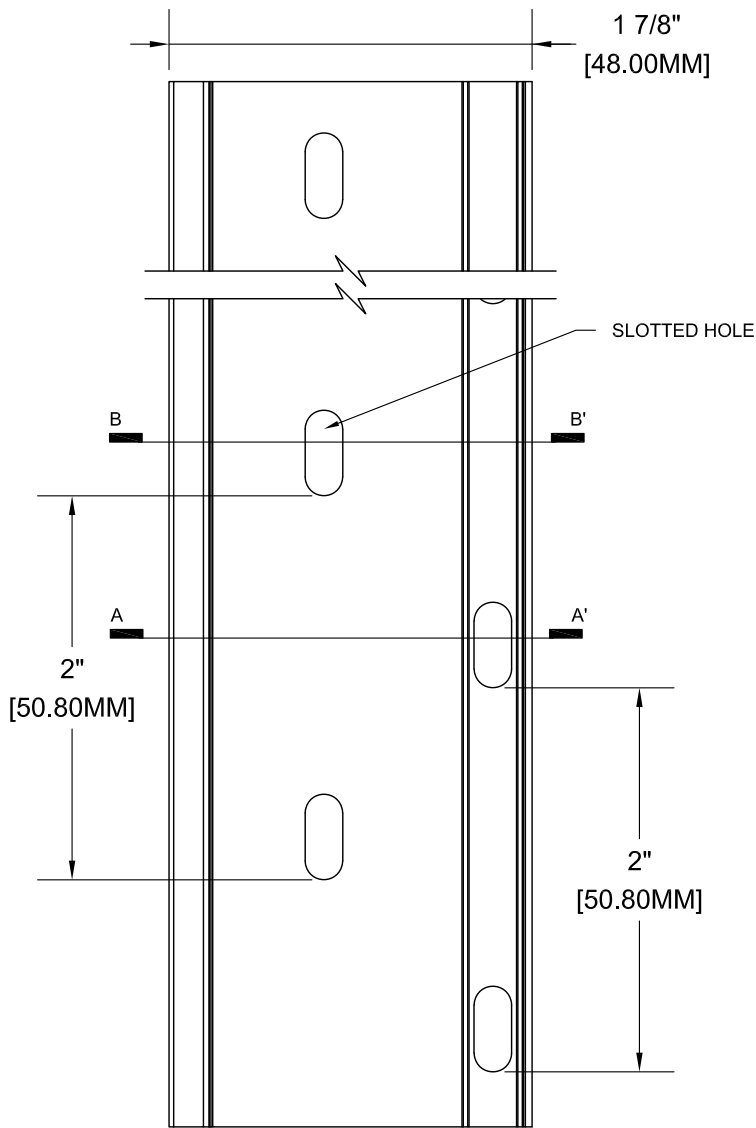


These drawings are published as an information guide only. These CAD drawings are intended as templates to assist the designer, they do not contain the full detail required for construction and must be read in conjunction with the installation instructions on [www.longboardproducts.com](http://www.longboardproducts.com). You should obtain architectural, engineering or other technical advice to assess the suitability of these drawings to the requirements of your particular project. Longboard Architectural Products accepts no liability in respect to the use of these drawings. For complete installation instructions refer to the appropriate documentation here [www.longboardproducts.com/resources/technical-documentation/installation-guides](http://www.longboardproducts.com/resources/technical-documentation/installation-guides)

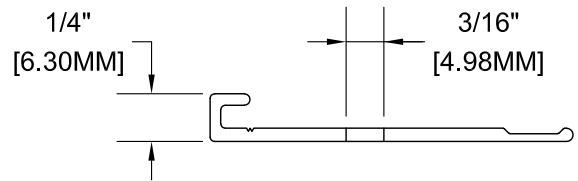
**6" TRIPLE BEVEL**  
**ALUMINUM ALLOY: 6063-T5**  
**WEIGHT: 0.699 LBS/ LF**  
**SCALE: 1:1**



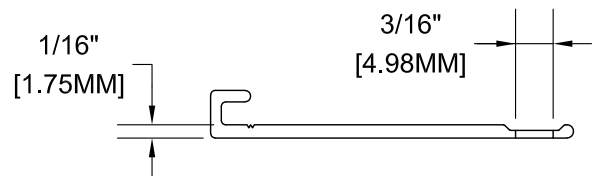




ELEVATION



SECTION B-B'



SECTION A-A'

These drawings are published as an information guide only. These CAD drawings are intended as templates to assist the designer, they do not contain the full detail required for construction and must be read in conjunction with the installation instructions on [www.longboardproducts.com](http://www.longboardproducts.com). You should obtain architectural, engineering or other technical advice to assess the suitability of these drawings to the requirements of your particular project. Longboard Architectural Products accepts no liability in respect to the use of these drawings. For complete installation instructions refer to the appropriate documentation here [www.longboardproducts.com/resources/technical-documentation/installation-guides](http://www.longboardproducts.com/resources/technical-documentation/installation-guides)

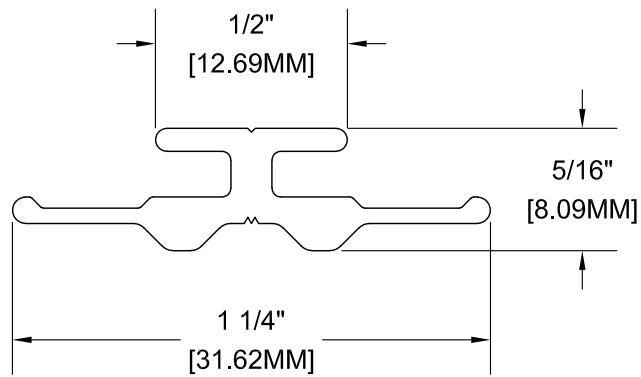
**TRADITIONAL STARTER STRIP (1-7/8")**

ALUMINUM ALLOY: 6063-T5

WEIGHT: 0.167 LBS/ LF

SCALE: 1:1

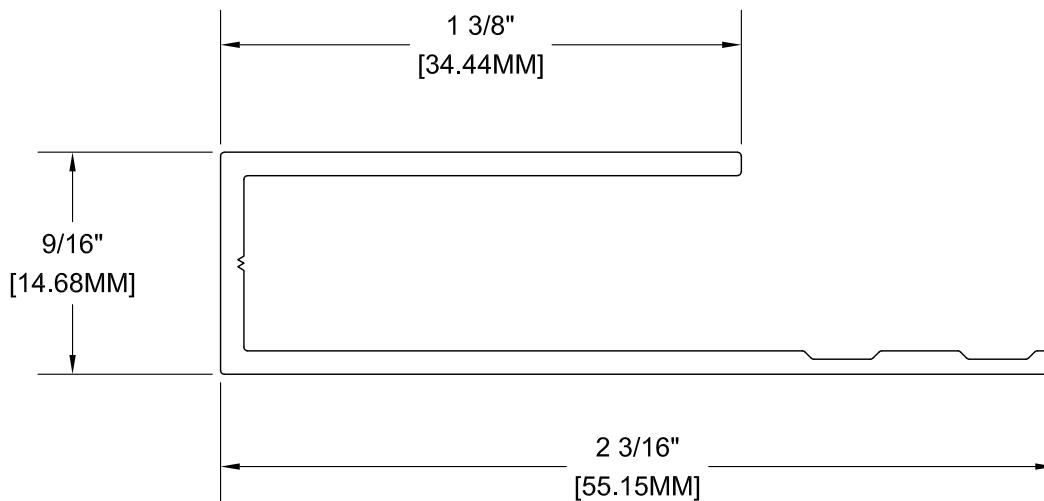




These drawings are published as an information guide only. These CAD drawings are intended as templates to assist the designer, they do not contain the full detail required for construction and must be read in conjunction with the installation instructions on [www.longboardproducts.com](http://www.longboardproducts.com). You should obtain architectural, engineering or other technical advice to assess the suitability of these drawings to the requirements of your particular project. Longboard Architectural Products accepts no liability in respect to the use of these drawings. For complete installation instructions refer to the appropriate documentation here [www.longboardproducts.com/resources/technical-documentation/installation-guides](http://www.longboardproducts.com/resources/technical-documentation/installation-guides)

**TRADITIONAL BACK-TO-BACK  
STARTER STRIP (1-1/4")**  
ALUMINUM ALLOY: 6063-T5  
WEIGHT: 0.161 LBS/ LF  
SCALE: 2:1

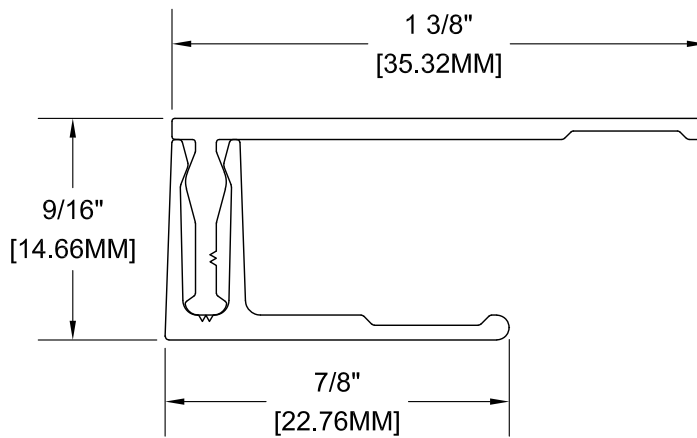




These drawings are published as an information guide only. These CAD drawings are intended as templates to assist the designer, they do not contain the full detail required for construction and must be read in conjunction with the installation instructions on [www.longboardproducts.com](http://www.longboardproducts.com). You should obtain architectural, engineering or other technical advice to assess the suitability of these drawings to the requirements of your particular project. Longboard Architectural Products accepts no liability in respect to the use of these drawings. For complete installation instructions refer to the appropriate documentation here [www.longboardproducts.com/resources/technical-documentation/installation-guides](http://www.longboardproducts.com/resources/technical-documentation/installation-guides)

**TRADITIONAL J-TRACK (1-3/8")**  
 ALUMINUM ALLOY: 6063-T5  
 WEIGHT: 0.282 LBS/ LF  
 SCALE: 2:1

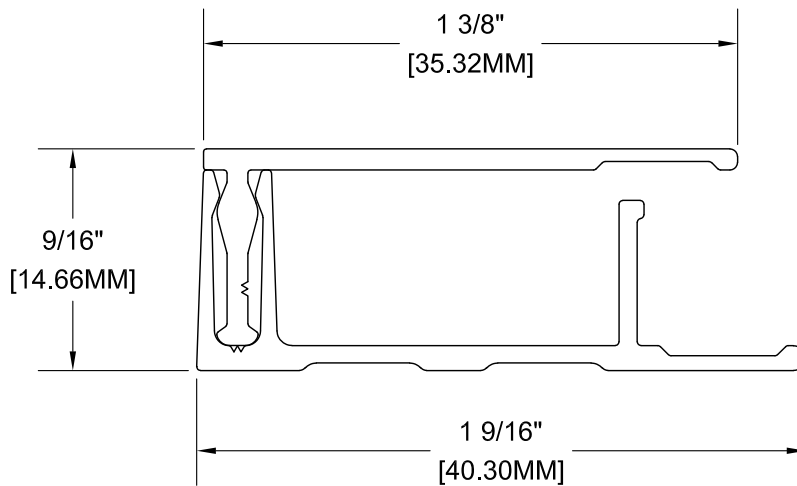




These drawings are published as an information guide only. These CAD drawings are intended as templates to assist the designer, they do not contain the full detail required for construction and must be read in conjunction with the installation instructions on [www.longboardproducts.com](http://www.longboardproducts.com). You should obtain architectural, engineering or other technical advice to assess the suitability of these drawings to the requirements of your particular project. Longboard Architectural Products accepts no liability in respect to the use of these drawings. For complete installation instructions refer to the appropriate documentation here [www.longboardproducts.com/resources/technical-documentation/installation-guides](http://www.longboardproducts.com/resources/technical-documentation/installation-guides)

**TRADITIONAL TWO PIECE J-TRACK (1-3/8")**  
**ALUMINUM ALLOY: 6063-T5**  
**WEIGHT: 0.276 LBS/ LF**  
**SCALE: 2:1**





These drawings are published as an information guide only. These CAD drawings are intended as templates to assist the designer, they do not contain the full detail required for construction and must be read in conjunction with the installation instructions on [www.longboardproducts.com](http://www.longboardproducts.com). You should obtain architectural, engineering or other technical advice to assess the suitability of these drawings to the requirements of your particular project. Longboard Architectural Products accepts no liability in respect to the use of these drawings. For complete installation instructions refer to the appropriate documentation here [www.longboardproducts.com/resources/technical-documentation/installation-guides](http://www.longboardproducts.com/resources/technical-documentation/installation-guides)

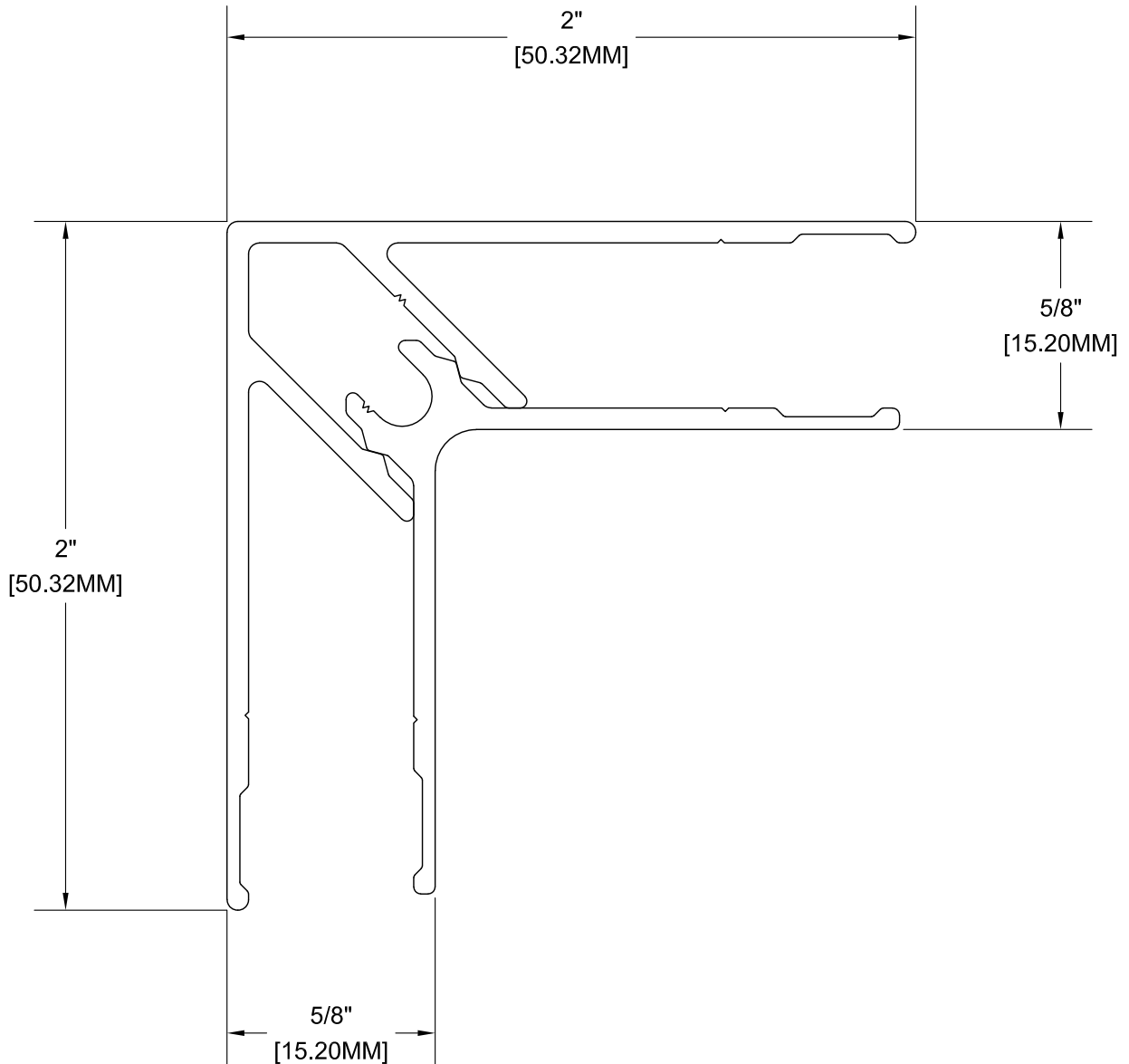
### TRADITIONAL TERMINATION SET (1-3/8")

ALUMINUM ALLOY: 6063-T5

WEIGHT: 0.216 LBS/ LF

SCALE: 2:1

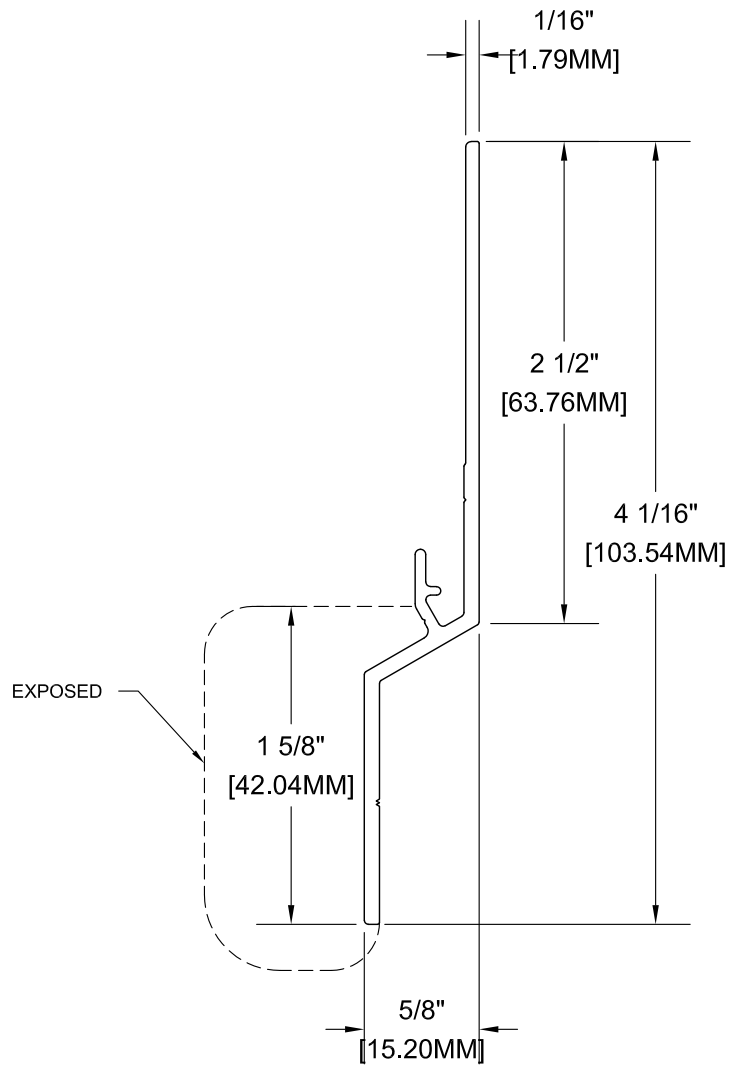




These drawings are published as an information guide only. These CAD drawings are intended as templates to assist the designer, they do not contain the full detail required for construction and must be read in conjunction with the installation instructions on [www.longboardproducts.com](http://www.longboardproducts.com). You should obtain architectural, engineering or other technical advice to assess the suitability of these drawings to the requirements of your particular project. Longboard Architectural Products accepts no liability in respect to the use of these drawings. For complete installation instructions refer to the appropriate documentation here [www.longboardproducts.com/resources/technical-documentation/installation-guides](http://www.longboardproducts.com/resources/technical-documentation/installation-guides)

**TRADITIONAL CORNER SET (2")**  
 ALUMINUM ALLOY: 6063-T5  
 WEIGHT: 0.600 LBS/ LF  
 SCALE: 2:1





These drawings are published as an information guide only. These CAD drawings are intended as templates to assist the designer, they do not contain the full detail required for construction and must be read in conjunction with the installation instructions on [www.longboardproducts.com](http://www.longboardproducts.com). You should obtain architectural, engineering or other technical advice to assess the suitability of these drawings to the requirements of your particular project. Longboard Architectural Products accepts no liability in respect to the use of these drawings. For complete installation instructions refer to the appropriate documentation here [www.longboardproducts.com/resources/technical-documentation/installation-guides](http://www.longboardproducts.com/resources/technical-documentation/installation-guides)

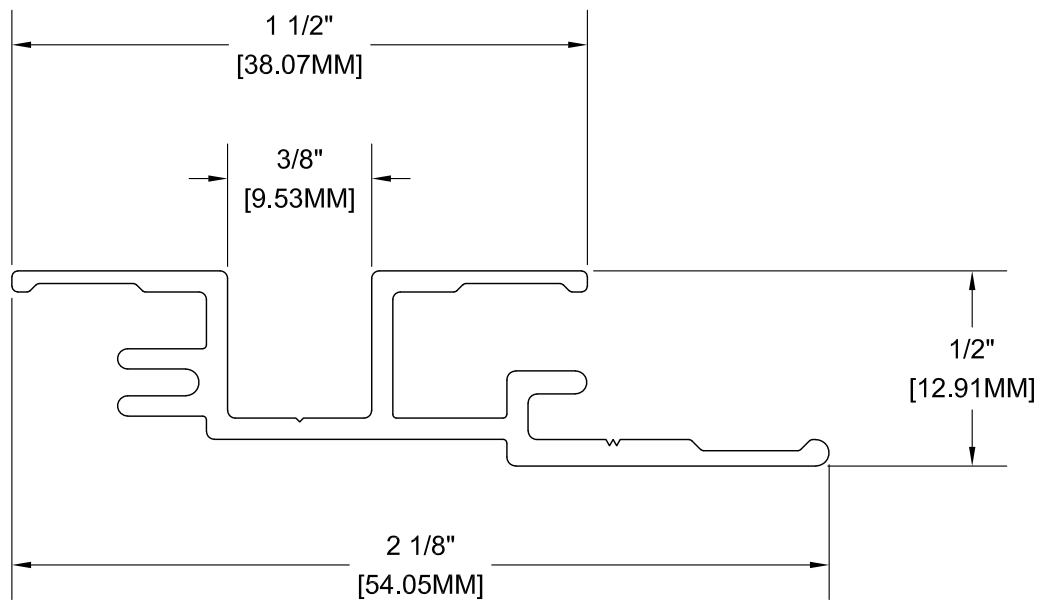
## TRADITIONAL COMPRESSION JOINT (1-3/8")

ALUMINUM ALLOY: 6063-T5

WEIGHT: 0.418 LBS/ LF

SCALE: 1:1



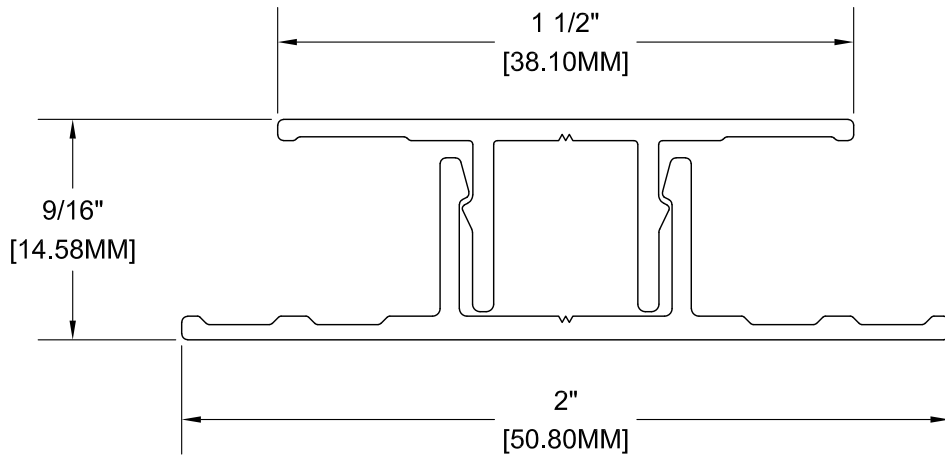


These drawings are published as an information guide only. These CAD drawings are intended as templates to assist the designer, they do not contain the full detail required for construction and must be read in conjunction with the installation instructions on [www.longboardproducts.com](http://www.longboardproducts.com). You should obtain architectural, engineering or other technical advice to assess the suitability of these drawings to the requirements of your particular project. Longboard Architectural Products accepts no liability in respect to the use of these drawings. For complete installation instructions refer to the appropriate documentation here [www.longboardproducts.com/resources/technical-documentation/installation-guides](http://www.longboardproducts.com/resources/technical-documentation/installation-guides)

**TRADITIONAL T&G U-REVEAL (1-1/2")**  
 ALUMINUM ALLOY: 6063-T5  
 WEIGHT: 0.260 LBS/ LF  
 SCALE: 2:1







These drawings are published as an information guide only. These CAD drawings are intended as templates to assist the designer, they do not contain the full detail required for construction and must be read in conjunction with the installation instructions on [www.longboardproducts.com](http://www.longboardproducts.com). You should obtain architectural, engineering or other technical advice to assess the suitability of these drawings to the requirements of your particular project. Longboard Architectural Products accepts no liability in respect to the use of these drawings. For complete installation instructions refer to the appropriate documentation here [www.longboardproducts.com/resources/technical-documentation/installation-guides](http://www.longboardproducts.com/resources/technical-documentation/installation-guides)

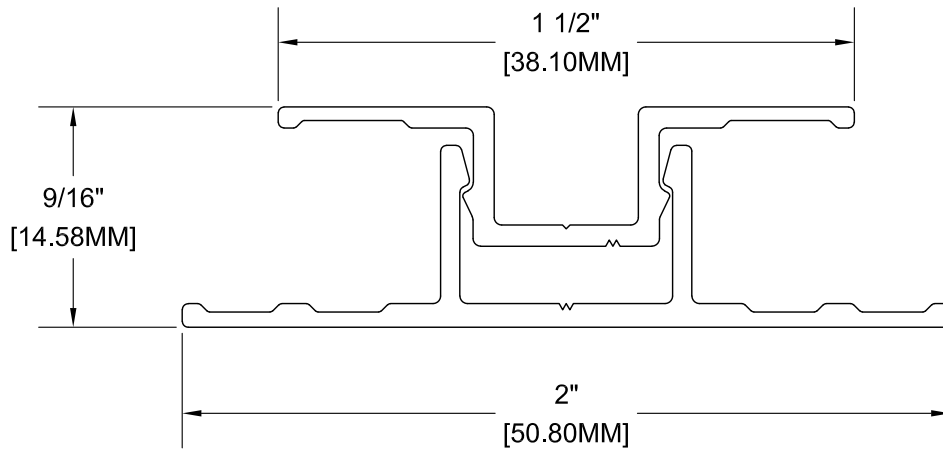
### TRADITIONAL FLAT REVEAL SET (1-1/2")

ALUMINUM ALLOY: 6063-T5

WEIGHT: 0.325 LBS/ LF

SCALE: 2:1





These drawings are published as an information guide only. These CAD drawings are intended as templates to assist the designer, they do not contain the full detail required for construction and must be read in conjunction with the installation instructions on [www.longboardproducts.com](http://www.longboardproducts.com). You should obtain architectural, engineering or other technical advice to assess the suitability of these drawings to the requirements of your particular project. Longboard Architectural Products accepts no liability in respect to the use of these drawings. For complete installation instructions refer to the appropriate documentation here [www.longboardproducts.com/resources/technical-documentation/installation-guides](http://www.longboardproducts.com/resources/technical-documentation/installation-guides)

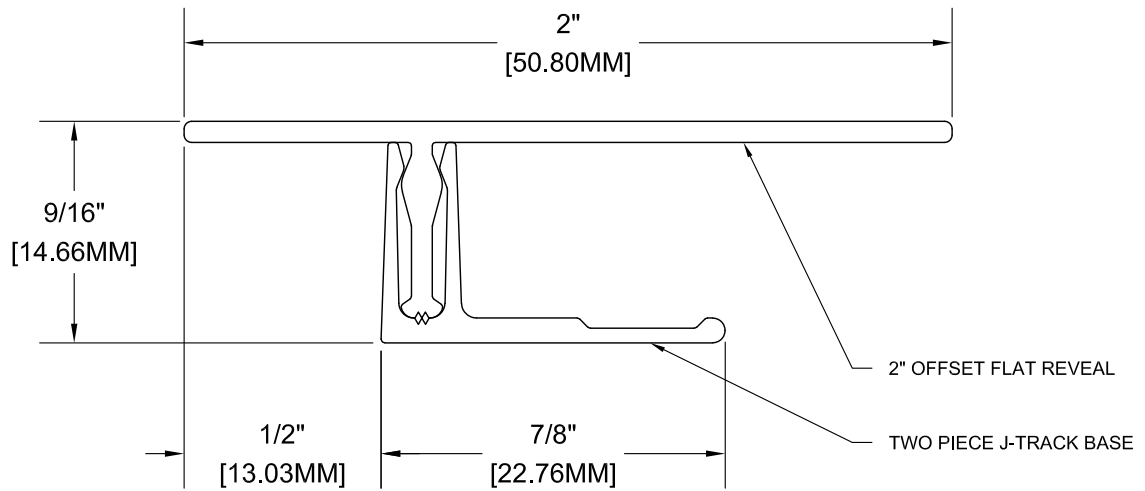
### TRADITIONAL U-REVEAL SET (1-1/2")

ALUMINUM ALLOY: 6063-T5

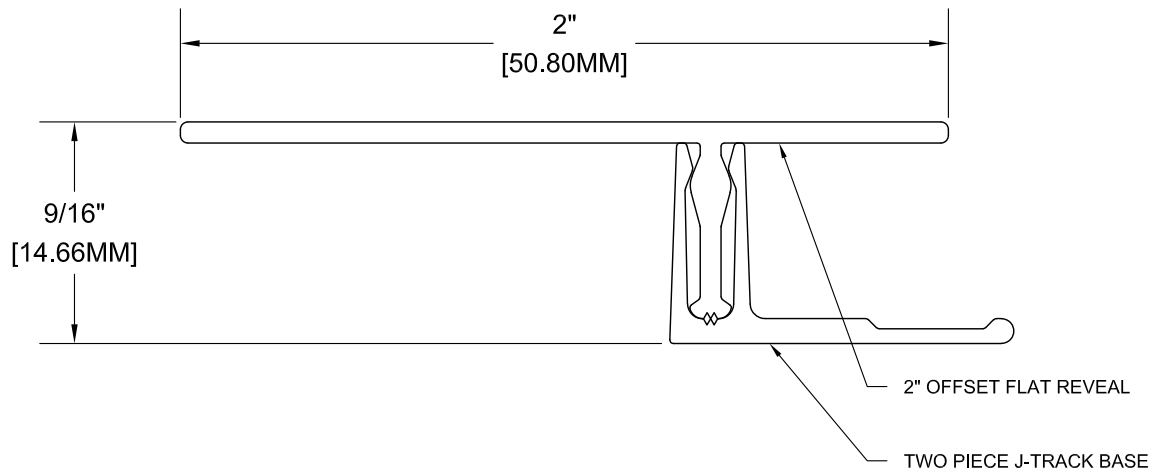
WEIGHT: 0.303 LBS/ LF

SCALE: 2:1





TYPICAL INSTALL

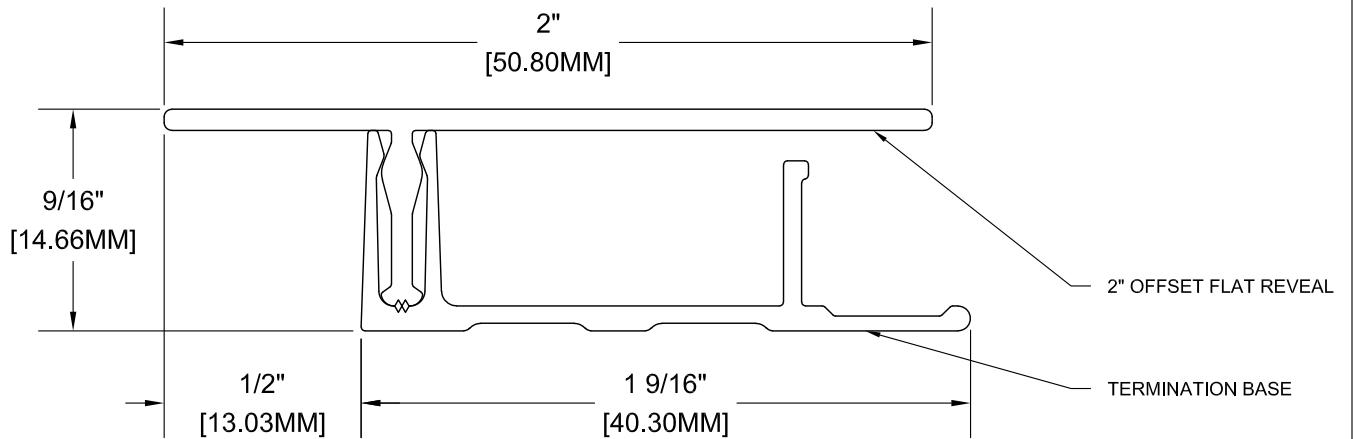


INVERTED INSTALL

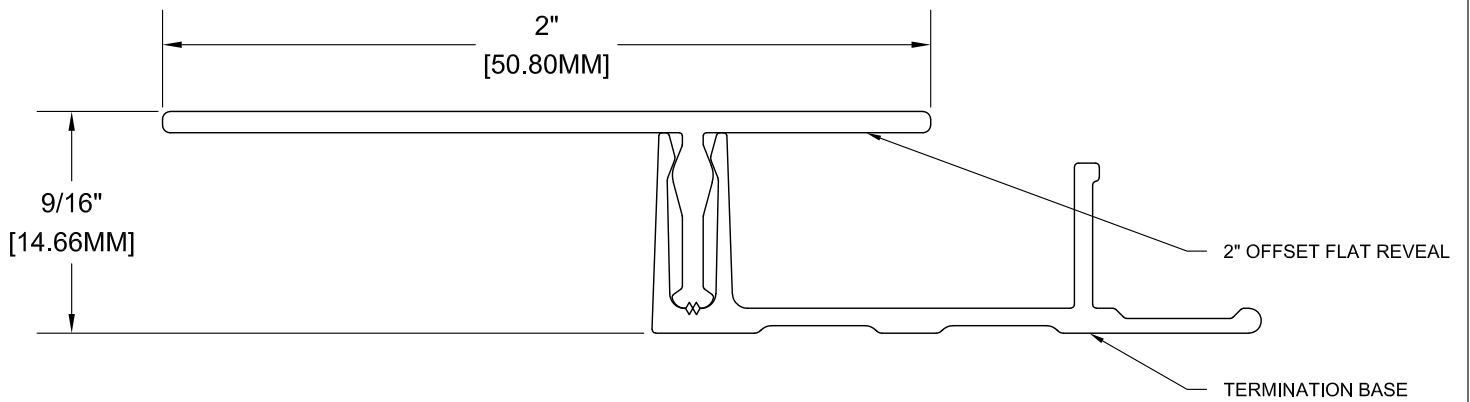
These drawings are published as an information guide only. These CAD drawings are intended as templates to assist the designer, they do not contain the full detail required for construction and must be read in conjunction with the installation instructions on [www.longboardproducts.com](http://www.longboardproducts.com). You should obtain architectural, engineering or other technical advice to assess the suitability of these drawings to the requirements of your particular project. Longboard Architectural Products accepts no liability in respect to the use of these drawings. For complete installation instructions refer to the appropriate documentation here [www.longboardproducts.com/resources/technical-documentation/installation-guides](http://www.longboardproducts.com/resources/technical-documentation/installation-guides)

TRADITIONAL OFFSET REVEAL,  
J-TRACK BASE (2")  
ALUMINUM ALLOY: 6063-T5  
WEIGHT: 0.276 LBS/ LF  
SCALE: 2:1





TYPICAL INSTALL

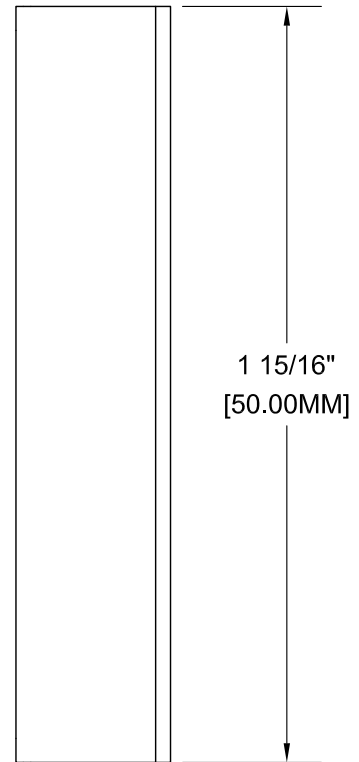
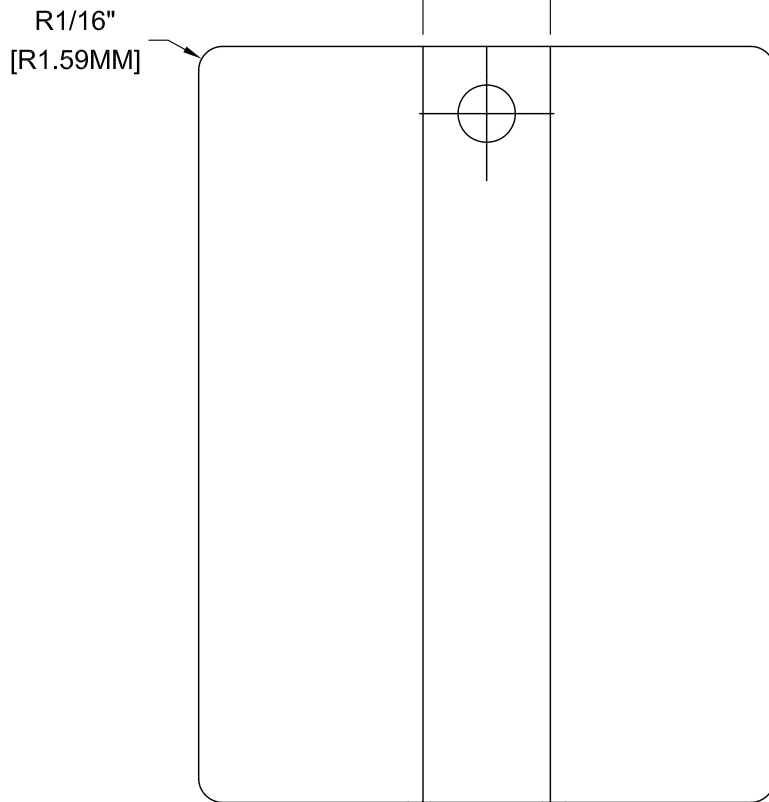
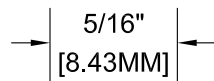
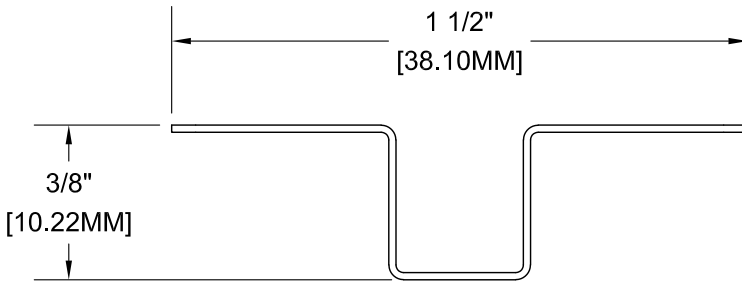


INVERTED INSTALL

These drawings are published as an information guide only. These CAD drawings are intended as templates to assist the designer, they do not contain the full detail required for construction and must be read in conjunction with the installation instructions on [www.longboardproducts.com](http://www.longboardproducts.com). You should obtain architectural, engineering or other technical advice to assess the suitability of these drawings to the requirements of your particular project. Longboard Architectural Products accepts no liability in respect to the use of these drawings. For complete installation instructions refer to the appropriate documentation here [www.longboardproducts.com/resources/technical-documentation/installation-guides](http://www.longboardproducts.com/resources/technical-documentation/installation-guides)

TRADITIONAL OFFSET REVEAL,  
 TERMINATION BASE (2")  
 ALUMINUM ALLOY: 6063-T5  
 WEIGHT: 0.336 LBS/ LF  
 SCALE: 2:1





These drawings are published as an information guide only. These CAD drawings are intended as templates to assist the designer, they do not contain the full detail required for construction and must be read in conjunction with the installation instructions on [www.longboardproducts.com](http://www.longboardproducts.com). You should obtain architectural, engineering or other technical advice to assess the suitability of these drawings to the requirements of your particular project. Longboard Architectural Products accepts no liability in respect to the use of these drawings. For complete installation instructions refer to the appropriate documentation here [www.longboardproducts.com/resources/technical-documentation/installation-guides](http://www.longboardproducts.com/resources/technical-documentation/installation-guides)

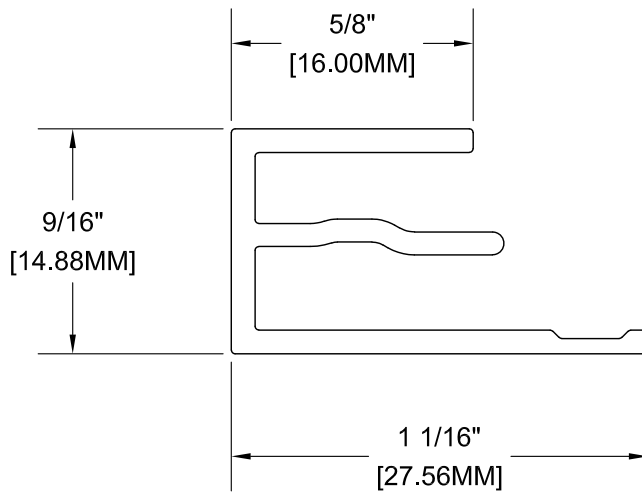
## TRADITIONAL END SLEEVE (1-1/2")

STAINLESS STEEL: 304

WEIGHT: 0.023 LBS

SCALE: 2:1





These drawings are published as an information guide only. These CAD drawings are intended as templates to assist the designer, they do not contain the full detail required for construction and must be read in conjunction with the installation instructions on [www.longboardproducts.com](http://www.longboardproducts.com). You should obtain architectural, engineering or other technical advice to assess the suitability of these drawings to the requirements of your particular project. Longboard Architectural Products accepts no liability in respect to the use of these drawings. For complete installation instructions refer to the appropriate documentation here [www.longboardproducts.com/resources/technical-documentation/installation-guides](http://www.longboardproducts.com/resources/technical-documentation/installation-guides)

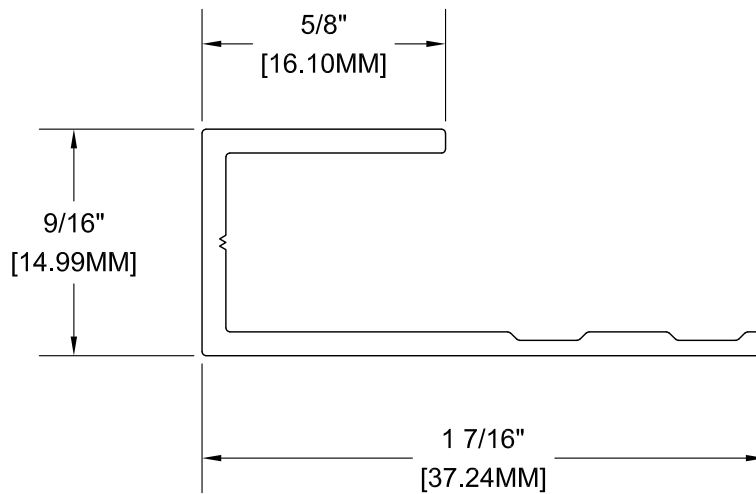
## PRECISION STARTER J-TRACK (5/8")

ALUMINUM ALLOY: 6063-T5

WEIGHT: 0.208 LBS/ LF

SCALE: 2:1

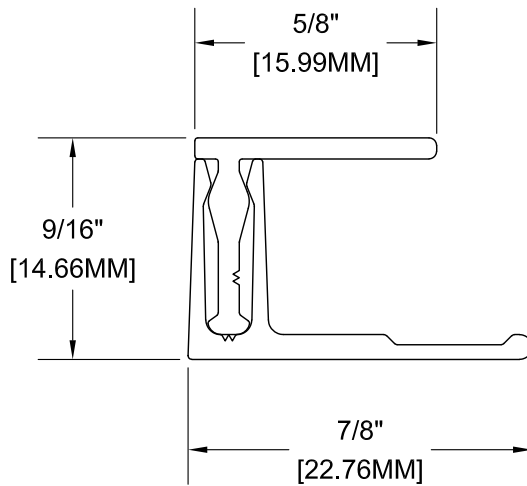




These drawings are published as an information guide only. These CAD drawings are intended as templates to assist the designer, they do not contain the full detail required for construction and must be read in conjunction with the installation instructions on [www.longboardproducts.com](http://www.longboardproducts.com). You should obtain architectural, engineering or other technical advice to assess the suitability of these drawings to the requirements of your particular project. Longboard Architectural Products accepts no liability in respect to the use of these drawings. For complete installation instructions refer to the appropriate documentation here [www.longboardproducts.com/resources/technical-documentation/installation-guides](http://www.longboardproducts.com/resources/technical-documentation/installation-guides)

**PRECISION J-TRACK (5/8")**  
**ALUMINUM ALLOY: 6063-T5**  
**WEIGHT: 0.175 LBS/ LF**  
**SCALE: 2:1**





These drawings are published as an information guide only. These CAD drawings are intended as templates to assist the designer, they do not contain the full detail required for construction and must be read in conjunction with the installation instructions on [www.longboardproducts.com](http://www.longboardproducts.com). You should obtain architectural, engineering or other technical advice to assess the suitability of these drawings to the requirements of your particular project. Longboard Architectural Products accepts no liability in respect to the use of these drawings. For complete installation instructions refer to the appropriate documentation here [www.longboardproducts.com/resources/technical-documentation/installation-guides](http://www.longboardproducts.com/resources/technical-documentation/installation-guides)

## PRECISION TWO PIECE J-TRACK (5/8")

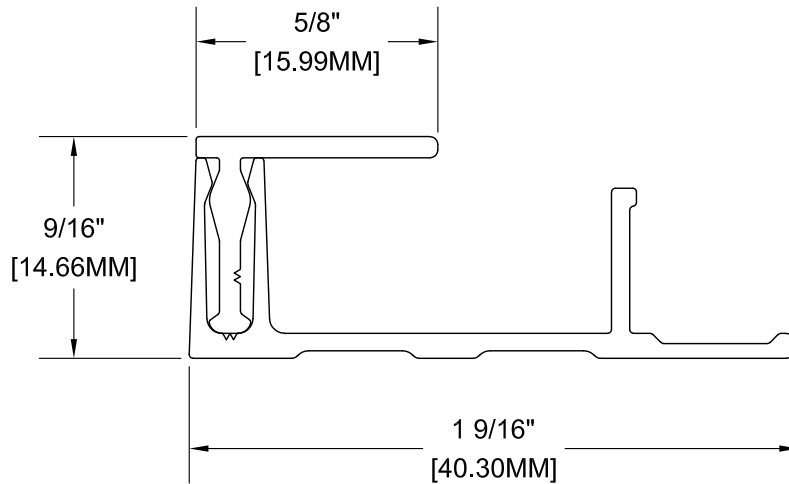
ALUMINUM ALLOY: 6063-T5

WEIGHT: 0.182 LBS/ LF

SCALE: 2:1







These drawings are published as an information guide only. These CAD drawings are intended as templates to assist the designer, they do not contain the full detail required for construction and must be read in conjunction with the installation instructions on [www.longboardproducts.com](http://www.longboardproducts.com). You should obtain architectural, engineering or other technical advice to assess the suitability of these drawings to the requirements of your particular project. Longboard Architectural Products accepts no liability in respect to the use of these drawings. For complete installation instructions refer to the appropriate documentation here [www.longboardproducts.com/resources/technical-documentation/installation-guides](http://www.longboardproducts.com/resources/technical-documentation/installation-guides)

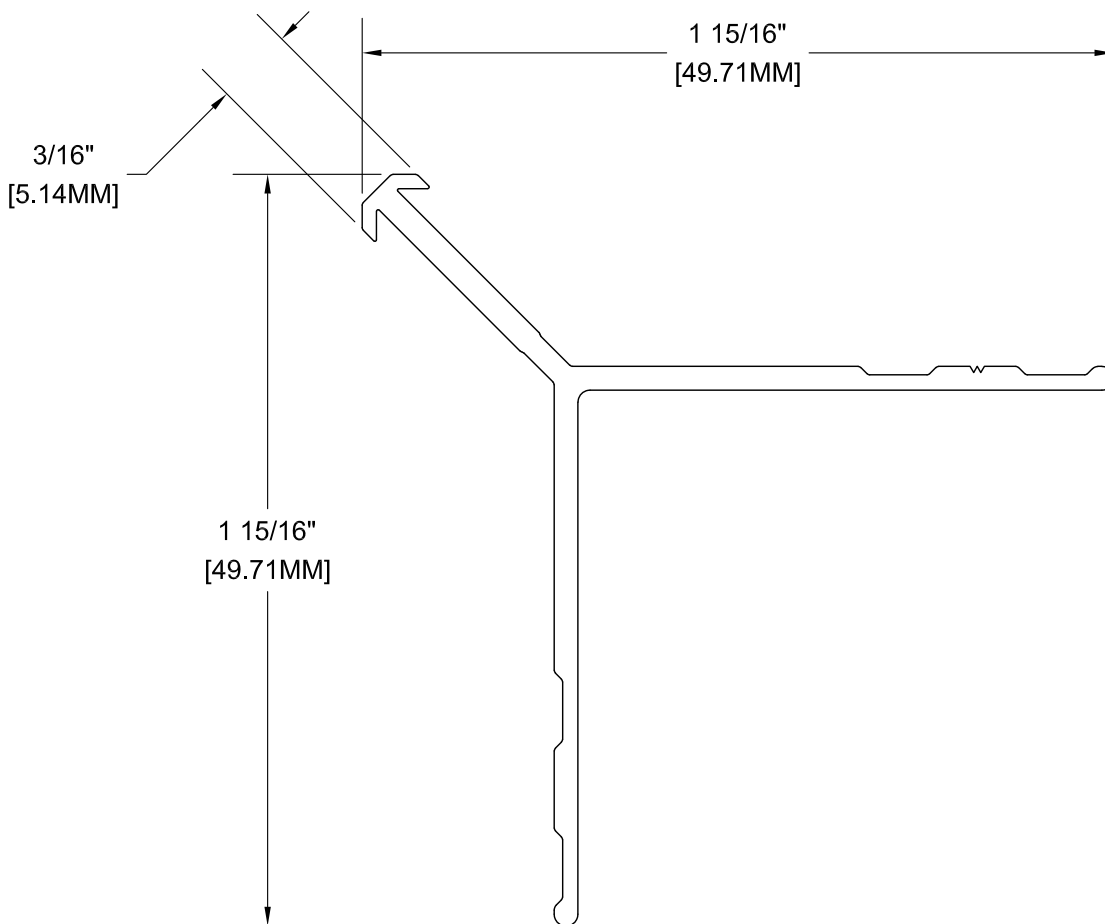
## PRECISION TERMINATION SET (5/8")

ALUMINUM ALLOY: 6063-T5

WEIGHT: 0.242 LBS/ LF

SCALE: 2:1

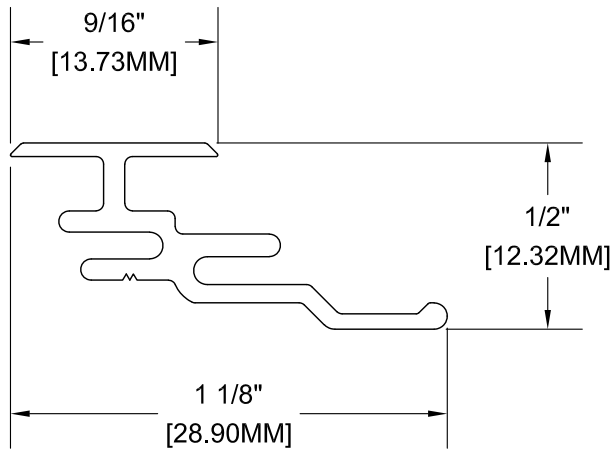




These drawings are published as an information guide only. These CAD drawings are intended as templates to assist the designer, they do not contain the full detail required for construction and must be read in conjunction with the installation instructions on [www.longboardproducts.com](http://www.longboardproducts.com). You should obtain architectural, engineering or other technical advice to assess the suitability of these drawings to the requirements of your particular project. Longboard Architectural Products accepts no liability in respect to the use of these drawings. For complete installation instructions refer to the appropriate documentation here [www.longboardproducts.com/resources/technical-documentation/installation-guides](http://www.longboardproducts.com/resources/technical-documentation/installation-guides)

**PRECISION OUTSIDE CORNER (3/16")**  
 ALUMINUM ALLOY: 6063-T5  
 WEIGHT: 0.255 LBS/ LF  
 SCALE: 2:1

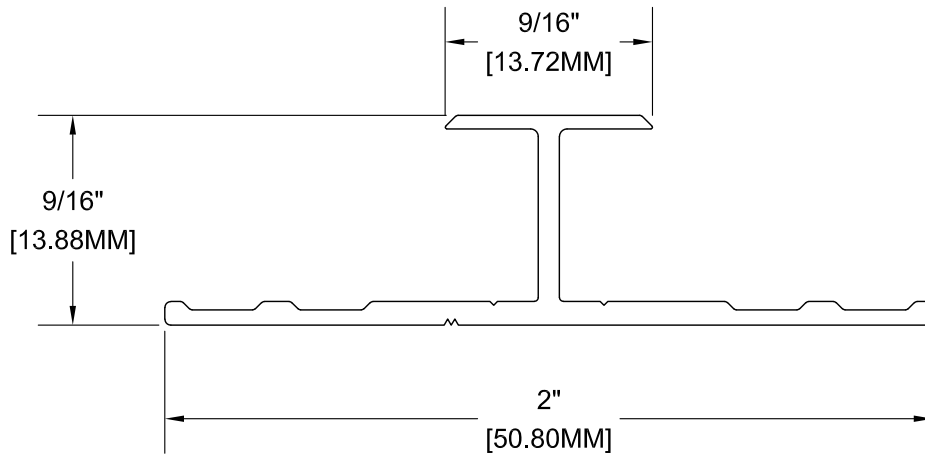




These drawings are published as an information guide only. These CAD drawings are intended as templates to assist the designer, they do not contain the full detail required for construction and must be read in conjunction with the installation instructions on [www.longboardproducts.com](http://www.longboardproducts.com). You should obtain architectural, engineering or other technical advice to assess the suitability of these drawings to the requirements of your particular project. Longboard Architectural Products accepts no liability in respect to the use of these drawings. For complete installation instructions refer to the appropriate documentation here [www.longboardproducts.com/resources/technical-documentation/installation-guides](http://www.longboardproducts.com/resources/technical-documentation/installation-guides)

**PRECISION T&G FLAT REVEAL (1/2")**  
ALUMINUM ALLOY: 6063-T5  
WEIGHT: 0.134 LBS/ LF  
SCALE: 2:1

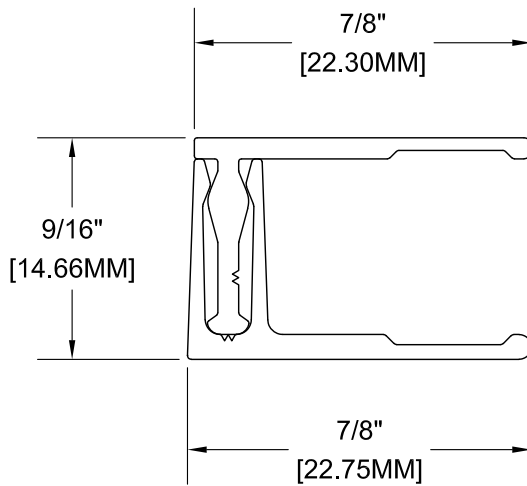




These drawings are published as an information guide only. These CAD drawings are intended as templates to assist the designer, they do not contain the full detail required for construction and must be read in conjunction with the installation instructions on [www.longboardproducts.com](http://www.longboardproducts.com). You should obtain architectural, engineering or other technical advice to assess the suitability of these drawings to the requirements of your particular project. Longboard Architectural Products accepts no liability in respect to the use of these drawings. For complete installation instructions refer to the appropriate documentation here [www.longboardproducts.com/resources/technical-documentation/installation-guides](http://www.longboardproducts.com/resources/technical-documentation/installation-guides)

**PRECISION FLAT REVEAL (1/2")**  
**ALUMINUM ALLOY: 6063-T5**  
**WEIGHT: 0.182 LBS/ LF**  
**SCALE: 2:1**





These drawings are published as an information guide only. These CAD drawings are intended as templates to assist the designer, they do not contain the full detail required for construction and must be read in conjunction with the installation instructions on [www.longboardproducts.com](http://www.longboardproducts.com). You should obtain architectural, engineering or other technical advice to assess the suitability of these drawings to the requirements of your particular project. Longboard Architectural Products accepts no liability in respect to the use of these drawings. For complete installation instructions refer to the appropriate documentation here [www.longboardproducts.com/resources/technical-documentation/installation-guides](http://www.longboardproducts.com/resources/technical-documentation/installation-guides)

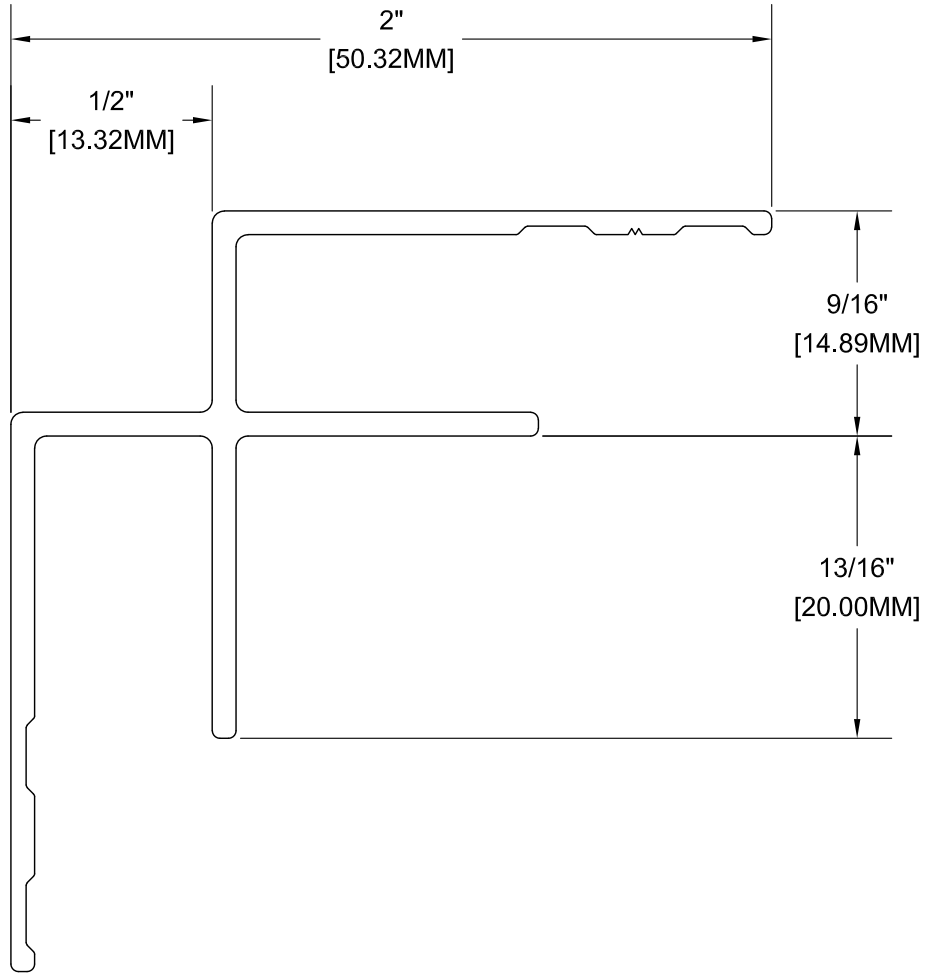
### CRAFTSMAN TWO PIECE J-TRACK (7/8")

ALUMINUM ALLOY: 6063-T5

WEIGHT: 0.188 LBS/ LF

SCALE: 2:1

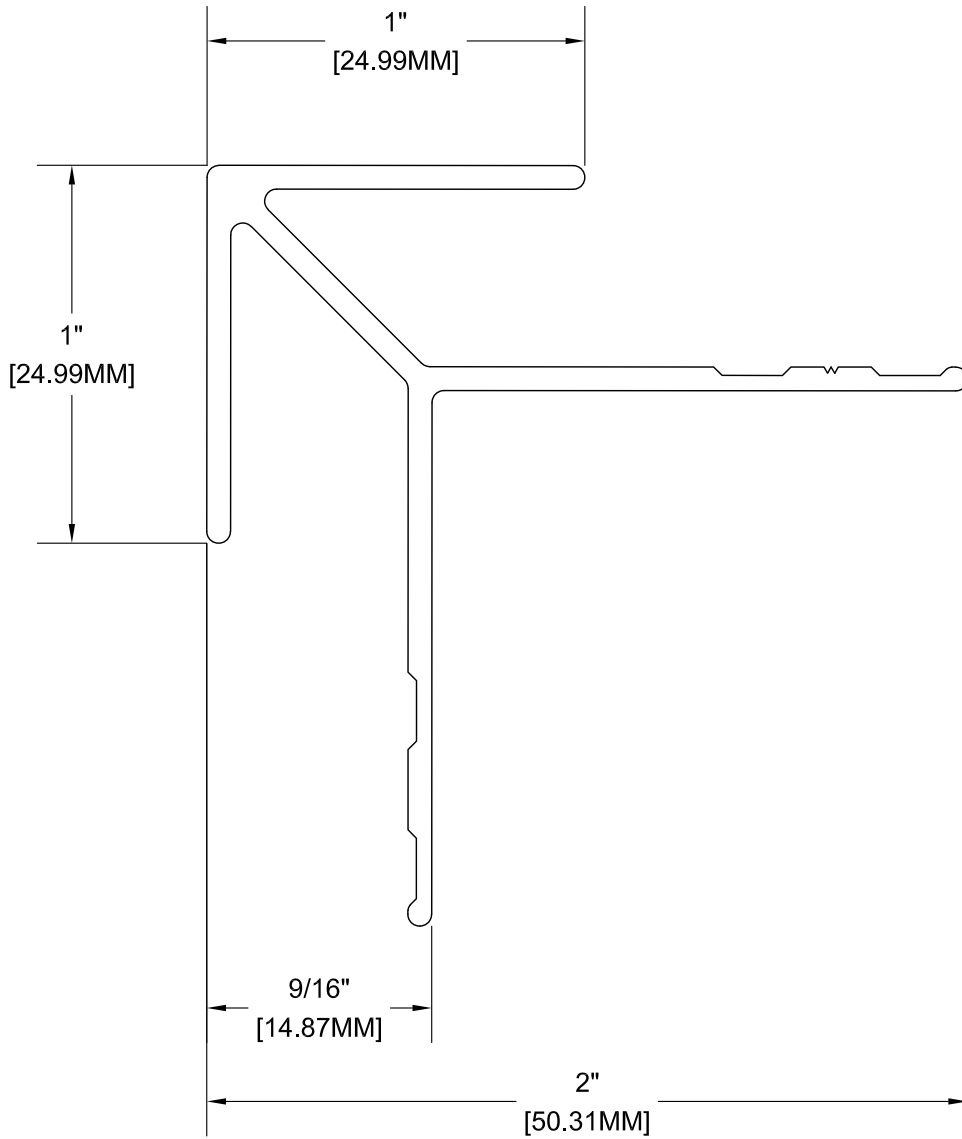




These drawings are published as an information guide only. These CAD drawings are intended as templates to assist the designer, they do not contain the full detail required for construction and must be read in conjunction with the installation instructions on [www.longboardproducts.com](http://www.longboardproducts.com). You should obtain architectural, engineering or other technical advice to assess the suitability of these drawings to the requirements of your particular project. Longboard Architectural Products accepts no liability in respect to the use of these drawings. For complete installation instructions refer to the appropriate documentation here [www.longboardproducts.com/resources/technical-documentation/installation-guides](http://www.longboardproducts.com/resources/technical-documentation/installation-guides)

**CRAFTSMAN INSIDE CORNER (3/4")**  
 ALUMINUM ALLOY: 6063-T5  
 WEIGHT: 0.375 LBS/ LF  
 SCALE: 2:1





These drawings are published as an information guide only. These CAD drawings are intended as templates to assist the designer, they do not contain the full detail required for construction and must be read in conjunction with the installation instructions on [www.longboardproducts.com](http://www.longboardproducts.com). You should obtain architectural, engineering or other technical advice to assess the suitability of these drawings to the requirements of your particular project. Longboard Architectural Products accepts no liability in respect to the use of these drawings. For complete installation instructions refer to the appropriate documentation here [www.longboardproducts.com/resources/technical-documentation/installation-guides](http://www.longboardproducts.com/resources/technical-documentation/installation-guides)

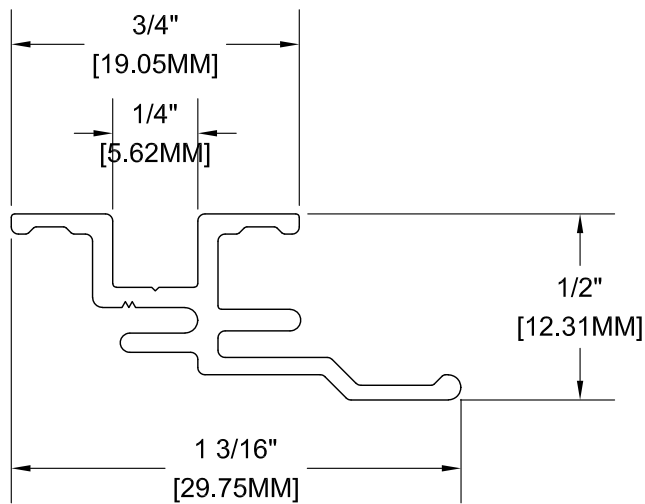
### CRAFTSMAN OUTSIDE CORNER (1")

ALUMINUM ALLOY: 6063-T5

WEIGHT: 0.383 LBS/ LF

SCALE: 2:1



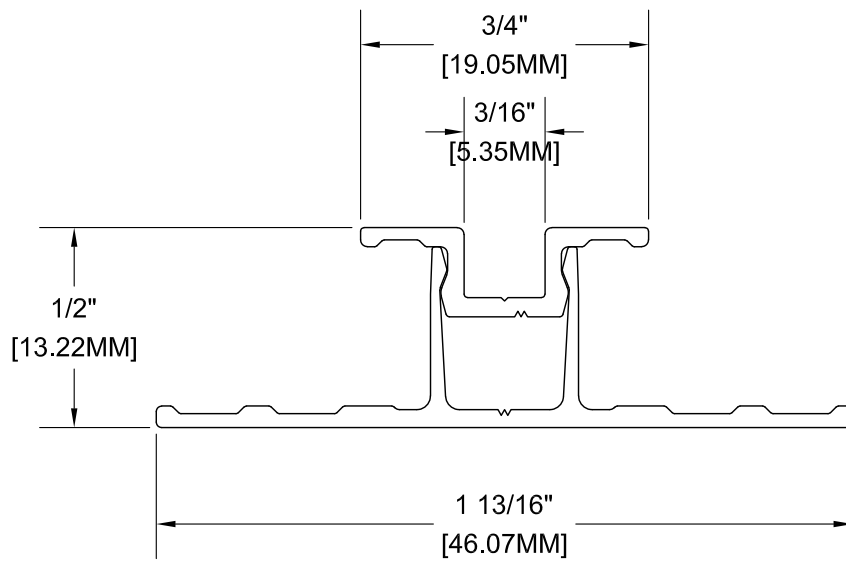


These drawings are published as an information guide only. These CAD drawings are intended as templates to assist the designer, they do not contain the full detail required for construction and must be read in conjunction with the installation instructions on [www.longboardproducts.com](http://www.longboardproducts.com). You should obtain architectural, engineering or other technical advice to assess the suitability of these drawings to the requirements of your particular project. Longboard Architectural Products accepts no liability in respect to the use of these drawings. For complete installation instructions refer to the appropriate documentation here [www.longboardproducts.com/resources/technical-documentation/installation-guides](http://www.longboardproducts.com/resources/technical-documentation/installation-guides)

**CRAFTSMAN T&G U-REVEAL (3/4")**  
ALUMINUM ALLOY: 6063-T5  
WEIGHT: 0.149 LBS/ LF  
SCALE: 2:1



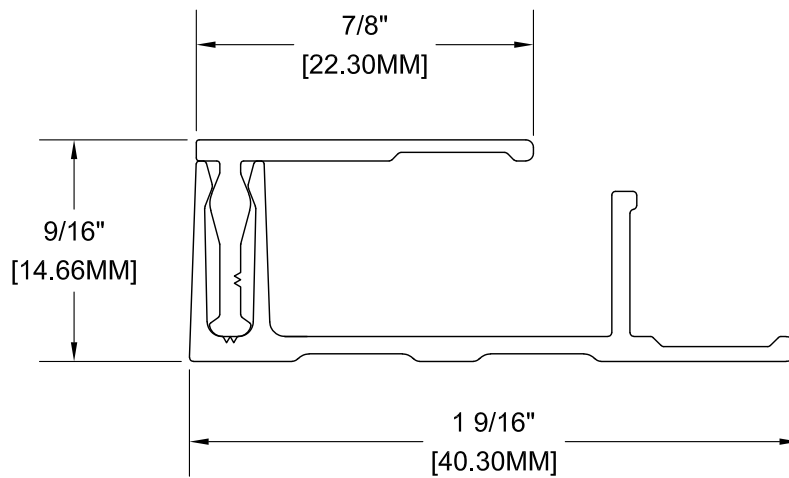




These drawings are published as an information guide only. These CAD drawings are intended as templates to assist the designer, they do not contain the full detail required for construction and must be read in conjunction with the installation instructions on [www.longboardproducts.com](http://www.longboardproducts.com). You should obtain architectural, engineering or other technical advice to assess the suitability of these drawings to the requirements of your particular project. Longboard Architectural Products accepts no liability in respect to the use of these drawings. For complete installation instructions refer to the appropriate documentation here [www.longboardproducts.com/resources/technical-documentation/installation-guides](http://www.longboardproducts.com/resources/technical-documentation/installation-guides)

**CRAFTSMAN U-REVEAL SET (3/4")**  
 ALUMINUM ALLOY: 6063-T5  
 WEIGHT: 0.230 LBS/ LF  
 SCALE: 2:1

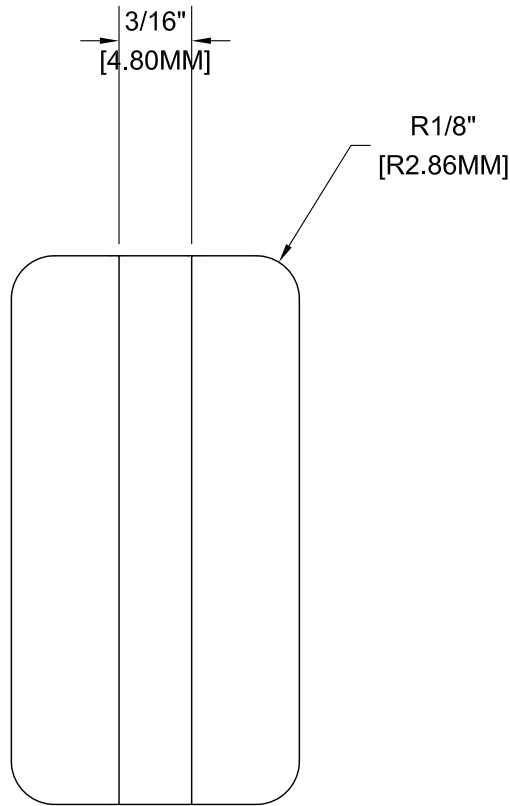
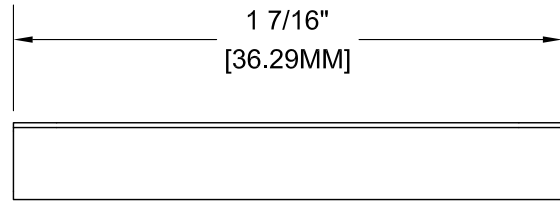
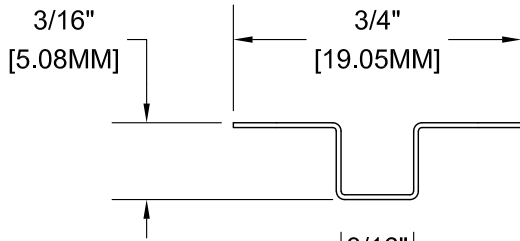




These drawings are published as an information guide only. These CAD drawings are intended as templates to assist the designer, they do not contain the full detail required for construction and must be read in conjunction with the installation instructions on [www.longboardproducts.com](http://www.longboardproducts.com). You should obtain architectural, engineering or other technical advice to assess the suitability of these drawings to the requirements of your particular project. Longboard Architectural Products accepts no liability in respect to the use of these drawings. For complete installation instructions refer to the appropriate documentation here [www.longboardproducts.com/resources/technical-documentation/installation-guides](http://www.longboardproducts.com/resources/technical-documentation/installation-guides)

**CRAFTSMAN TERMINATION SET (7/8")**  
 ALUMINUM ALLOY: 6063-T5  
 WEIGHT: 0.248 LBS/ LF  
 SCALE: 2:1





**CRAFTSMAN END SLEEVE (3/4")**

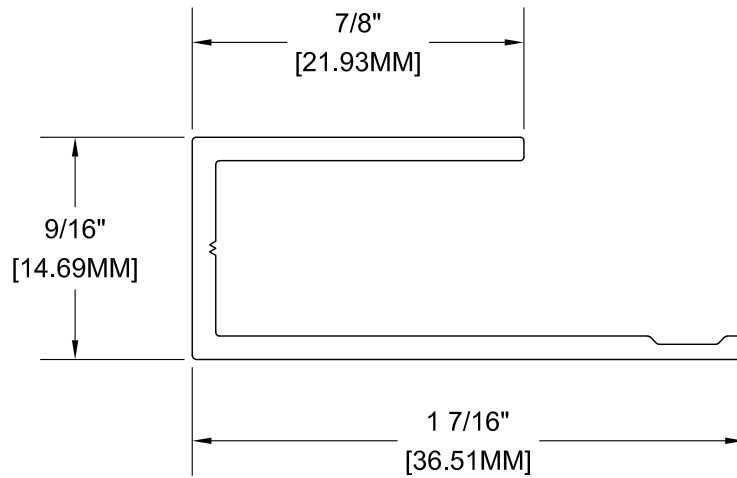
STAINLESS STEEL: 304

0.0054 LBS/PC

SCALE: 2:1



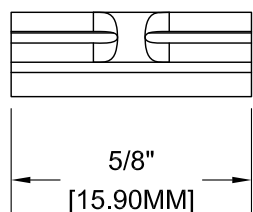
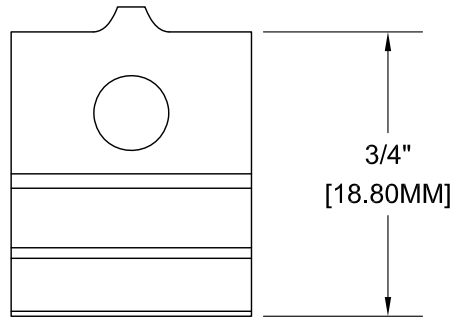
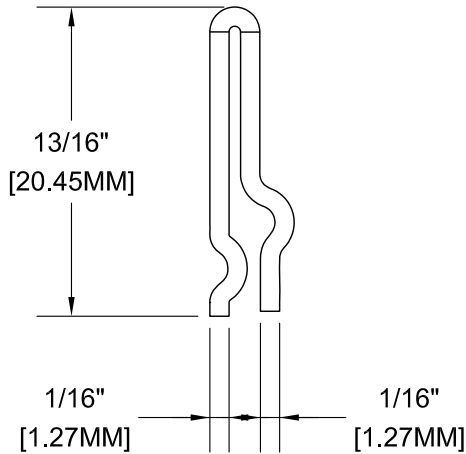
These drawings are published as an information guide only. These CAD drawings are intended as templates to assist the designer, they do not contain the full detail required for construction and must be read in conjunction with the installation instructions on [www.longboardproducts.com](http://www.longboardproducts.com). You should obtain architectural, engineering or other technical advice to assess the suitability of these drawings to the requirements of your particular project. Longboard Architectural Products accepts no liability in respect to the use of these drawings. For complete installation instructions refer to the appropriate documentation here [www.longboardproducts.com/resources/technical-documentation/installation-guides](http://www.longboardproducts.com/resources/technical-documentation/installation-guides)



These drawings are published as an information guide only. These CAD drawings are intended as templates to assist the designer, they do not contain the full detail required for construction and must be read in conjunction with the installation instructions on [www.longboardproducts.com](http://www.longboardproducts.com). You should obtain architectural, engineering or other technical advice to assess the suitability of these drawings to the requirements of your particular project. Longboard Architectural Products accepts no liability in respect to the use of these drawings. For complete installation instructions refer to the appropriate documentation here [www.longboardproducts.com/resources/technical-documentation/installation-guides](http://www.longboardproducts.com/resources/technical-documentation/installation-guides)

**CRAFTSMAN J-TRACK (7/8")**  
 ALUMINUM ALLOY: 6063-T5  
 WEIGHT: 0.208 LBS/ LF  
 SCALE: 2:1

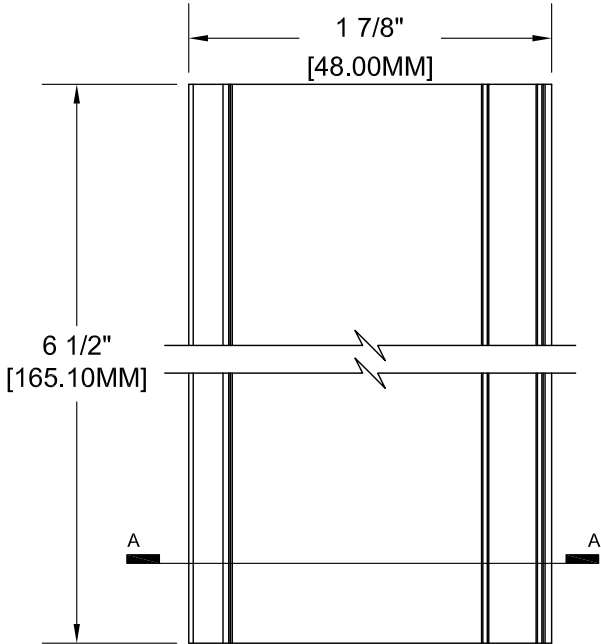




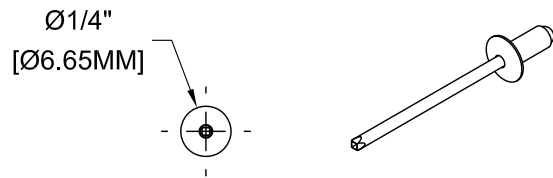
These drawings are published as an information guide only. These CAD drawings are intended as templates to assist the designer, they do not contain the full detail required for construction and must be read in conjunction with the installation instructions on [www.longboardproducts.com](http://www.longboardproducts.com). You should obtain architectural, engineering or other technical advice to assess the suitability of these drawings to the requirements of your particular project. Longboard Architectural Products accepts no liability in respect to the use of these drawings. For complete installation instructions refer to the appropriate documentation here [www.longboardproducts.com/resources/technical-documentation/installation-guides](http://www.longboardproducts.com/resources/technical-documentation/installation-guides)

**QUICK SCREEN CLIP**  
**STAINLESS STEEL: 316**  
**WEIGHT: 0.013 LBS**  
**SCALE: 2:1**

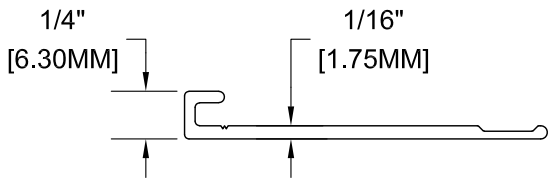




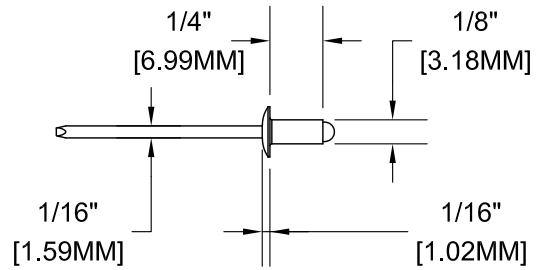
BACKER PLATE - ELEVATION



ALUMINUM RIVET\*



BACKER PLATE - SECTION A-A'

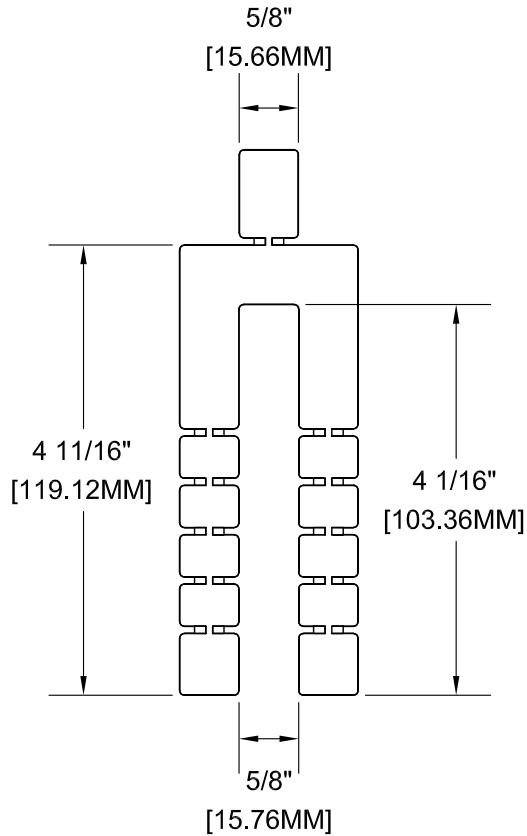


\* 4 PIECES PER KIT

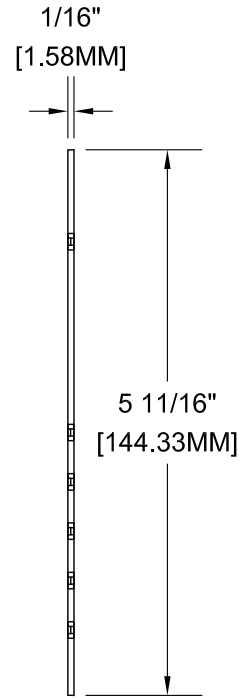
These drawings are published as an information guide only. These CAD drawings are intended as templates to assist the designer, they do not contain the full detail required for construction and must be read in conjunction with the installation instructions on [www.longboardproducts.com](http://www.longboardproducts.com). You should obtain architectural, engineering or other technical advice to assess the suitability of these drawings to the requirements of your particular project. Longboard Architectural Products accepts no liability in respect to the use of these drawings. For complete installation instructions refer to the appropriate documentation here [www.longboardproducts.com/resources/technical-documentation/installation-guides](http://www.longboardproducts.com/resources/technical-documentation/installation-guides)

**T&G BUTT-JOINT FASTENING KIT**  
 BACKER PLATE: 6063-T5 WEIGHT: 0.0887 LBS  
 ALUMINUM RIVET: 5052 WEIGHT: 0.0008 LBS  
 SCALE: 1:1

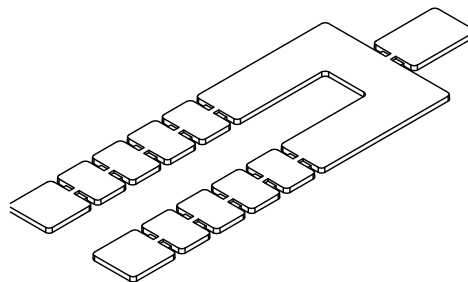




FRONT



SIDE



ISOMETRIC

These drawings are published as an information guide only. These CAD drawings are intended as templates to assist the designer, they do not contain the full detail required for construction and must be read in conjunction with the installation instructions on [www.longboardproducts.com](http://www.longboardproducts.com). You should obtain architectural, engineering or other technical advice to assess the suitability of these drawings to the requirements of your particular project. Longboard Architectural Products accepts no liability in respect to the use of these drawings. For complete installation instructions refer to the appropriate documentation here [www.longboardproducts.com/resources/technical-documentation/installation-guides](http://www.longboardproducts.com/resources/technical-documentation/installation-guides)

1/16" U-SHIM  
MATERIAL: POLY PROPYLENE

SCALE: 1:2

