



LONGBOARD®
INSPIRING ARCHITECTURE

Dauntless Interior Ceiling System

Installation Guidelines

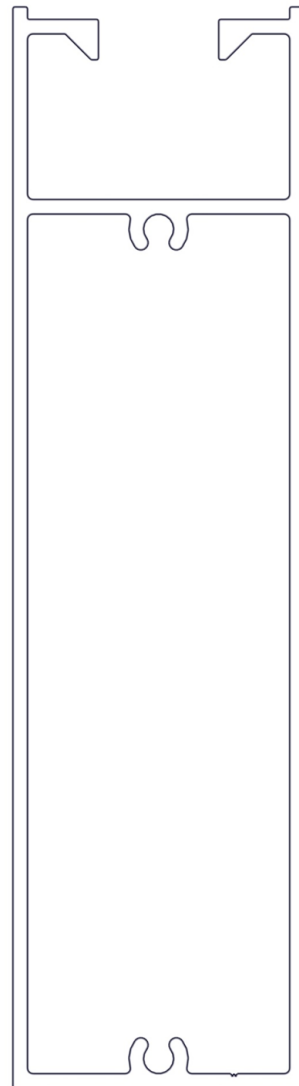
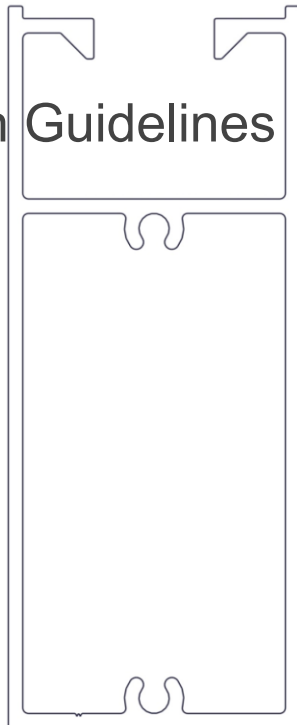


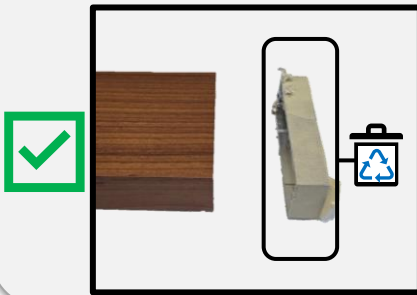
Table of Contents

Critical Details	3
Material Specifications	4
Finishes	4
Material ordering and deliveries	4
Storage and handling	4
Cleaning	4
Warranty	4
Graffiti Removal	5
Components	6
Components (Typical)	6
Tools/Cutting/Fastening	7
Tools	7
Cutting	7
Fastening options	8
System Install	9
Install details	9
Typical dimensions, weights and drop depths	9
System layout	10
Typical layout	10
Cantilever limits	10
Install Steps Hanger Clip System	11-13
Install Steps Hanger Bracket System	14-15
Details	16
Butt-Joints using spline connector	16
Snap Cap Install	16
Angled orientation options	17
Appendix	18
Load Table - Allowable Attachment Span	18
Handling and care of products	19
Contact Info	20

CRITICAL DETAILS

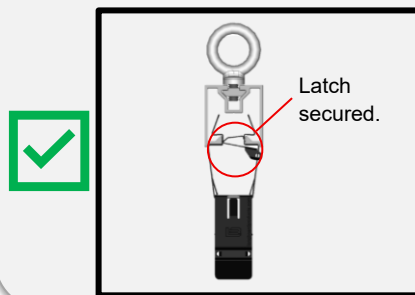
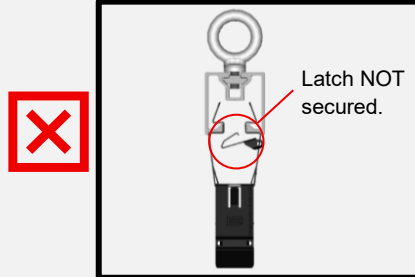
CUT TAPED/DRILLED ENDS

CUT taped/drilled ends.



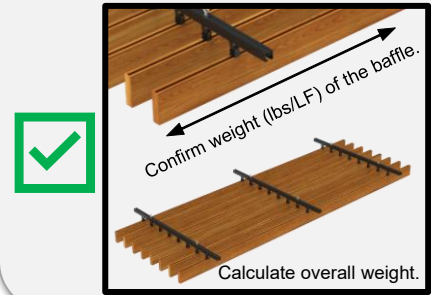
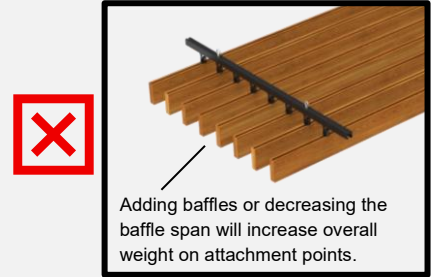
CLIP ATTACHMENT

Use Spline connector to extend Dauntless Beam runs.

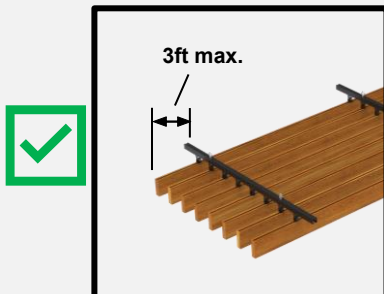
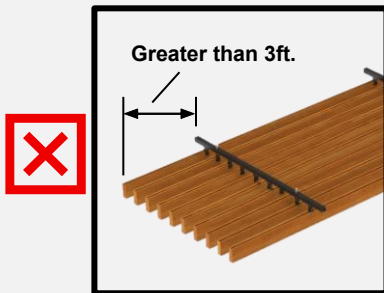


ALLOWABLE WEIGHT

Calculate and confirm allowable weight for attachment to structure at each point.



CANTILEVER



Material Specifications

Finishes

- Longboard Products are available in a wide range of powder coated finishes
- Custom solid colors are available upon request.

All Longboard Products are produced 1" (25mm) oversized, as one end is drilled for the coating process, and both ends have 1/2" (12mm) of masking tape (woodgrains only) which must be cut off for best results.

Material Ordering & Delivery

- | | |
|--------------|---|
| • Packaging: | Dauntless Baffles are sold in sizes of 1 5/8" x 4" & 6" x 24' lengths
End caps are sold by the box: 20 caps/bx. |
| • Shipping: | Delivered on 24' (7.3m) long skids weighing up to 2000 lbs. A mechanical lift with forks is required on site to receive the order. |
| • QC: | Always inspect the delivery for damage and contact LB ASAP if there are any issues: info@longboardproducts.com or 1-800-604-0343 and include your PO# and any pictures if possible. Mark the delivery receipt as "damaged" and accept the delivery as-is. Longboard is not responsible for the installation of blemished or damaged material. |

Storage & Handling

Be sure to store the material flat, keep it dry, safe & secure and remain in unopened cartons until ready to be installed. See **Appendix for proper handling and care instructions.**

Cleaning Recommendations

- Initial and periodic cleaning for best looking product
- Basic methods use a combination of moderate water pressure, soft sponge/brush and a mild detergent (Safe for your hands, safe for the product)

⚠ NEVER use aggressive, acid or alkaline cleaners on Longboard finishes. Do not use cleaners containing Trisodium Phosphate, Phosphoric Acid, Hydrochloric Acid, Hydrofluoric Acid, Fluorides, or any other compound that is known to react with metal.

See *Cleaning Guide for full requirements & cleaning schedule:
longboardproducts/resources/care-maintenance.com

Warranty

Upon substantial completion of the project, register for warranty online here: longboardproducts.com/warranty
Registration is required for the warranty to be in effect.

Graffiti Removal

Standard Woodgrain
 Use Standard soap & water only

D2000 Solid Color

	Prosoco Cleaner	MEK Solvent
Permanent Marker	<input checked="" type="checkbox"/>	<input checked="" type="checkbox"/>
Oil Based Spray Paint	<input checked="" type="checkbox"/>	<input checked="" type="checkbox"/>
Water Based Spray Paint	<input checked="" type="checkbox"/>	<input checked="" type="checkbox"/>
Adhesive Tape	<input checked="" type="checkbox"/>	<input checked="" type="checkbox"/>

MEK Solvent

Prosoco Anti-Graffiti Cleaner

SPECIAL ORDER - EXT. LEAD TIMES CONTACT LB

Anti-Graffiti High Gloss Woodgrain

	MEK Solvent
Permanent Marker	<input checked="" type="checkbox"/>
Oil Based Spray Paint	<input checked="" type="checkbox"/>
Water Based Spray Paint	<input checked="" type="checkbox"/>
Adhesive Tape	<input checked="" type="checkbox"/>

MEK Solvent

Note: Cleaning the surface with a cleanser that is not diluted as per instructions may result in damage to the coating.

Components

Components (Typical)

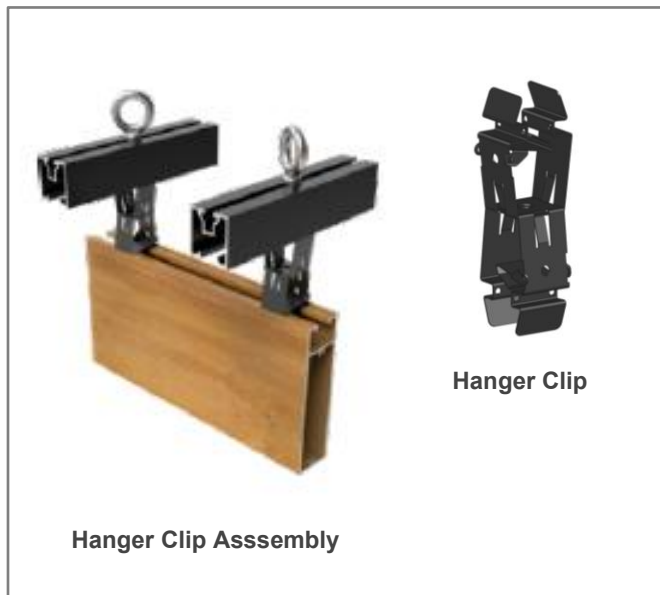
Longboard Dauntless Interior Ceiling System consists of a Baffle, End Cap, Hanger, Rail, and Eyebolt. For all LB components go to longboardproducts.com.

Dauntless System

Dimensions	Product	12'	24'	End Caps (20/box)
1-5/8" x 4"	Beam	2X4CB.145	2X4CB.289	2BEC.4
1-5/8" x 6"	Beam	2X6B.145	2X6CB.289	2BEC.6

Hanger Bracket Mounting System

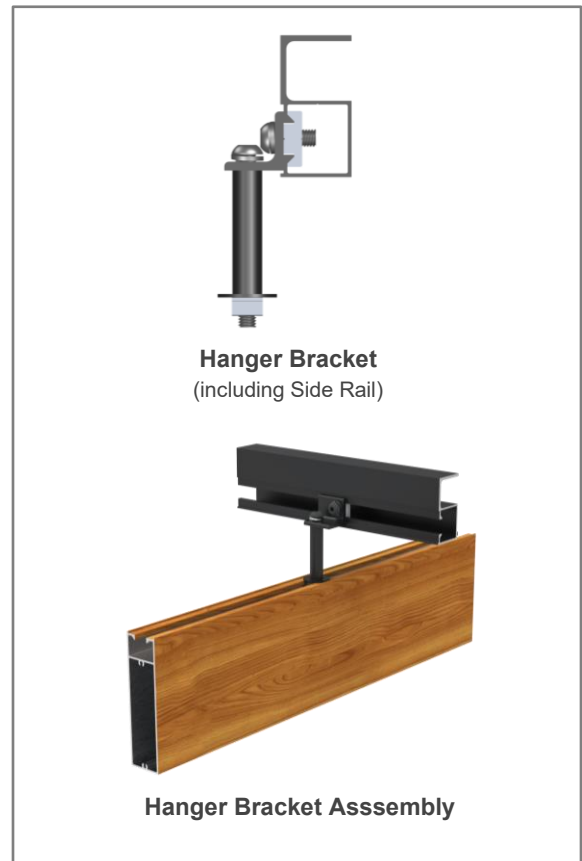
Product	Kind	Qty	SKU
Side Rail	24' Carrier Rail	1	2CBSR.289
Beam Spline Connection Top	Accessory	1	BSC.5
2" Hanger Bracket	Bracket	1	CBHB.2
4" Hanger Bracket	Bracket	1	CBHB.4
6" Hanger Bracket	Bracket	1	CBHB.6
8" Hanger Bracket	Bracket	1	CBHB.8
10" Hanger Bracket	Bracket	1	CBHB.10
12" Hanger Bracket	Bracket	1	CBHB.12



Clip Mounting System

Product	Kind	Qty	SKU
Single Rail ^A	24' Carrier Rail	1	CBR.289
Double Rail ^A	24' Carrier Rail	1	CBDR.289
1-1/2" Single Hanger Clip	Clip	20, box	HCS.2
3" Hanger Clip	Clip	20, box	HC.3
Eye Bolt with T-Nuts	Attachment	20, box	CBEB.N20





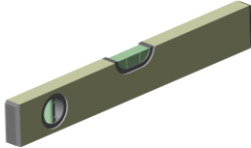


^AIncludes 7 Eye-Bolts with T-Nuts



Tools/Cutting/Fastening

Tools

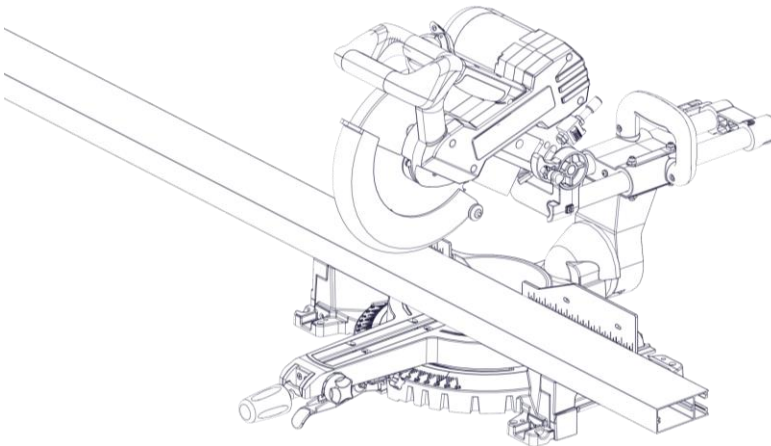
Commonly used tools for Dauntless install.

			
<p>Miter Saw with Carbide Metal Blade Non-Ferrous 60-80T (for aluminum)</p>	<p>Laser Level</p>	<p>Chalk Line or String Line</p>	<p>Tape Measure</p>
			
<p>Level</p>	<p>Rubber Mallet (or Hammer)</p>	<p>Paint Pen</p>	

Cutting

⚠ Always be sure to wear appropriate PPE: eye & hearing protection.

Cut using a Miter Saw/Table Saw and trim the taped/drilled ends of all stock length material by at least **1/2" (12mm) each end** and discard.



DO NOT Install Dauntless Baffles without trimming the ends.

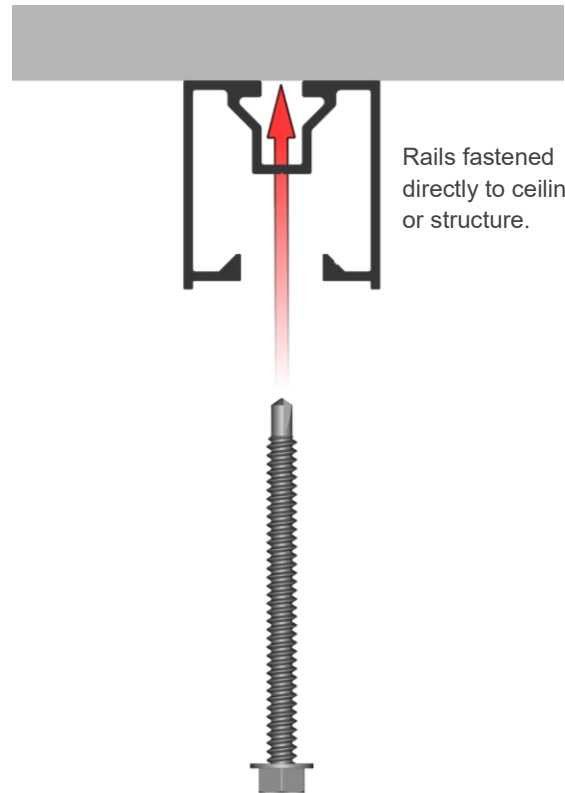
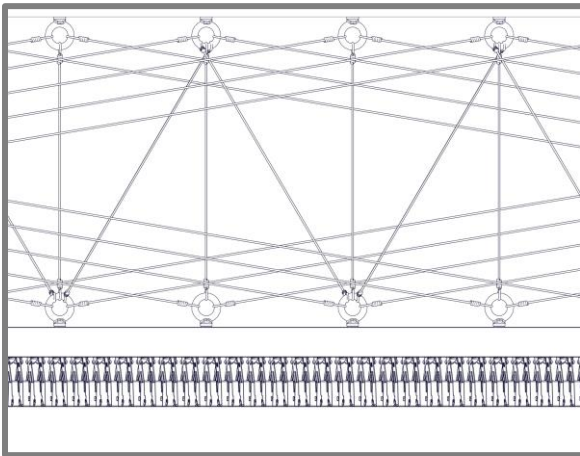
Fastening options

Longboard Dauntless system consists of Baffles attached to Rails which are hung from a structure above.

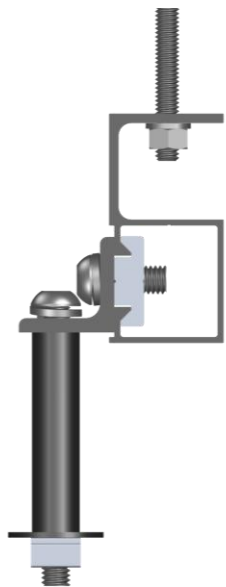
Typical fastening methods: (by others)

- Wire Attachment to anchors
- Threaded Rod to anchors
- Rails directly attached to the ceiling/structure
- Half Hanger Clip attached directly to the ceiling/structure

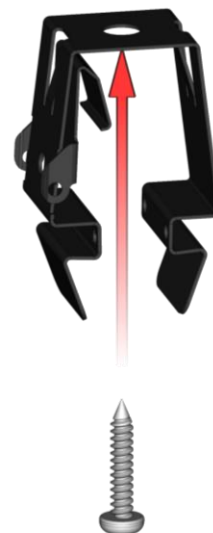
All fasteners should be compatible with the substrate type. **Fasteners should be anchored into a solid secure framing member.**



Rails fastened directly to ceiling or structure.



Side Rail hung via Threaded Rod.



Half Hanger Clip fastened directly to ceiling or structure.

Half hanger clip is 1.5" from attachment to Ceiling Baffle.

System Install

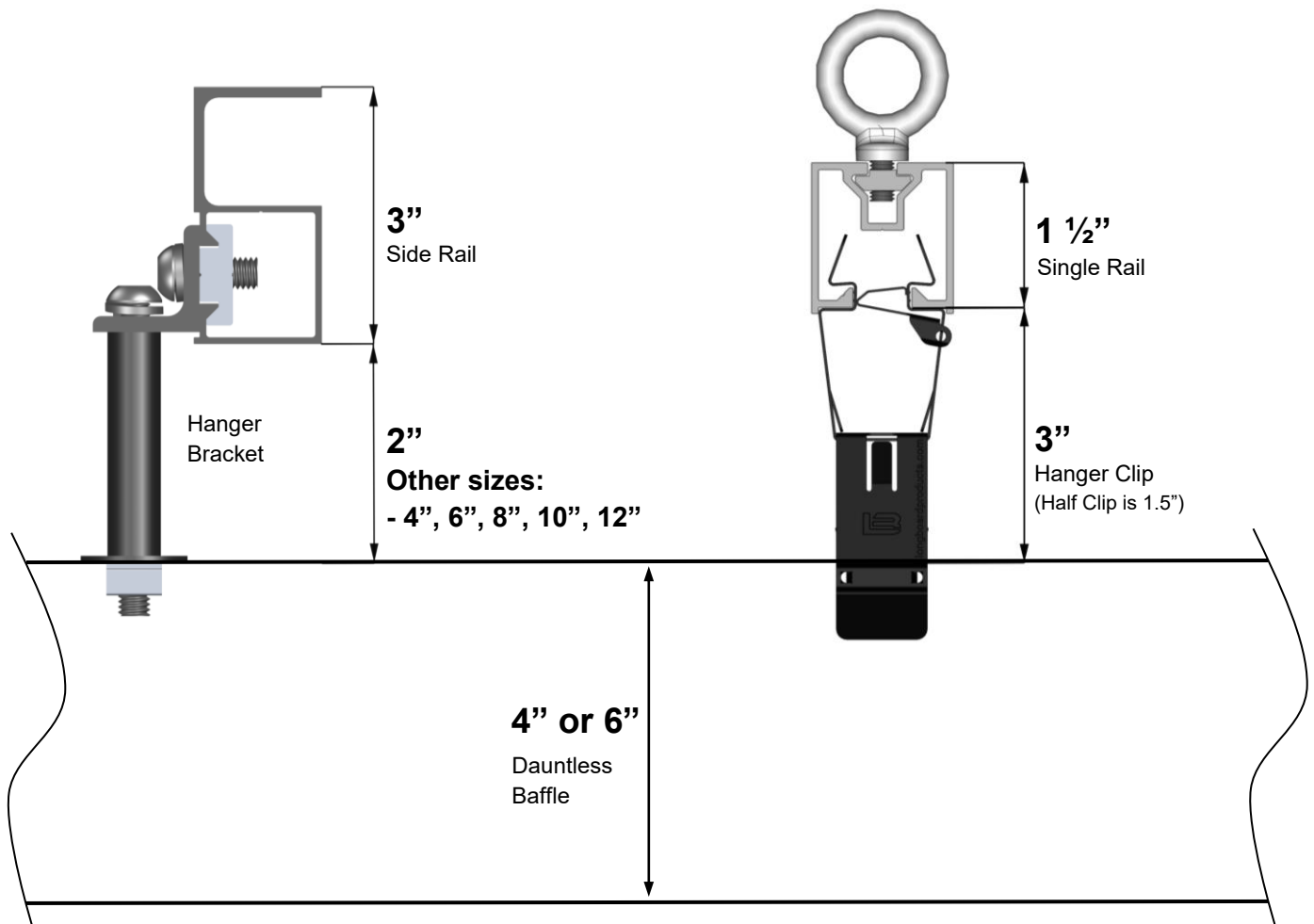
Install details

Typical dimensions and drop depths

Baffle	Width	Depth	Length	Weight(lbs/LF)
4"	4" (101.6mm)	1 5/8" (41.3mm)	12'/24'	1.2
6"	6" (152.4mm)	1 5/8" (41.3mm)	12'/24'	1.6

Carrier Rail	Width	Depth	Length	Weight(lbs/LF)
Single Rail	1.5" (38mm)	1 5/8" (41.3mm)	12'/24'	0.73
Side Rail	3" (76mm)	1 5/8" (41.3mm)	12'/24'	0.94

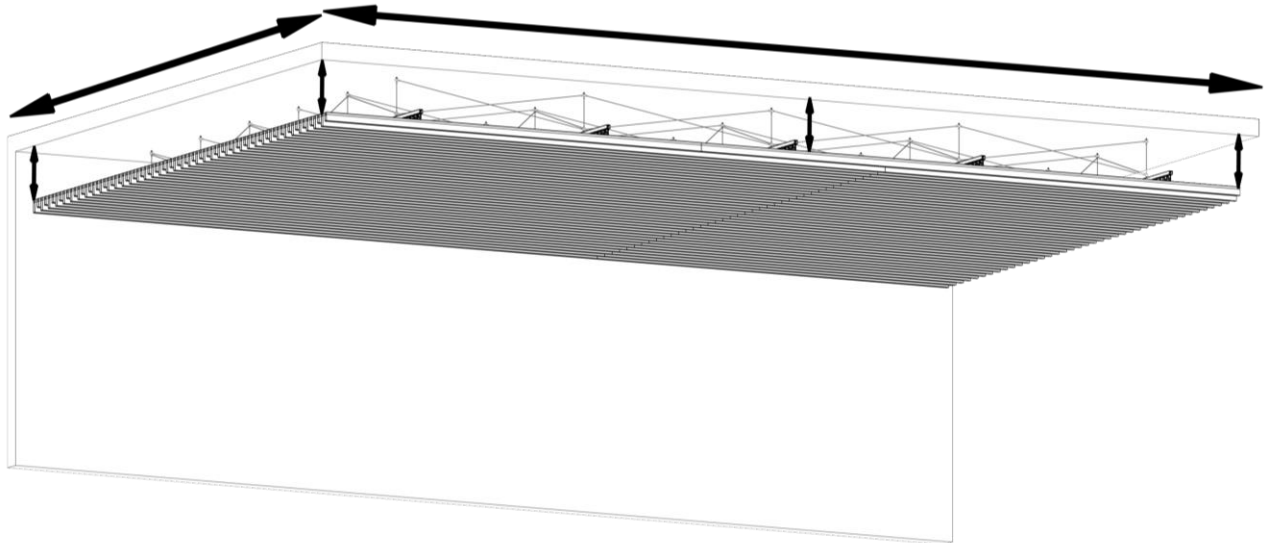
Note: Dimensions and weights are approx. and should be confirmed for precise measurements.



System layout

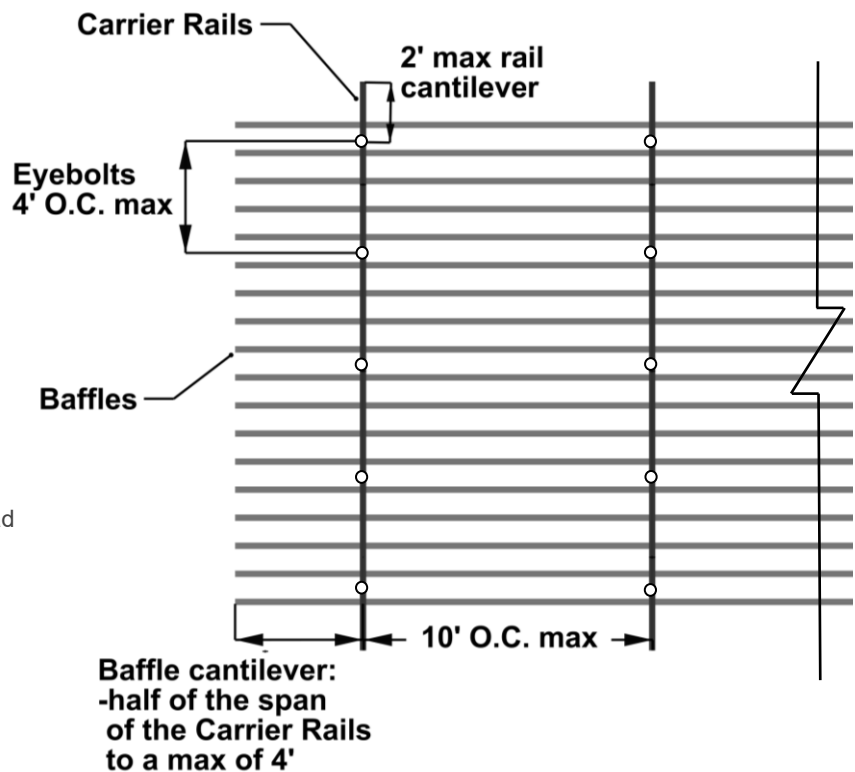
Typical layout

Measure and layout your ceiling system taking into consideration corners, bends and drop depths from ceiling. Make sure to mark and level out the drop depth of the Rails so they line up with the install of the Dauntless Baffles.



- Carrier Rails @ 10' O.C. max spacings (2' max rail cantilever)
- Eyebolts @ 4' O.C. max spacings
- Hanger Clip placed at desired Baffle spacing
- Must use at least two attachment points per Baffle and Rail

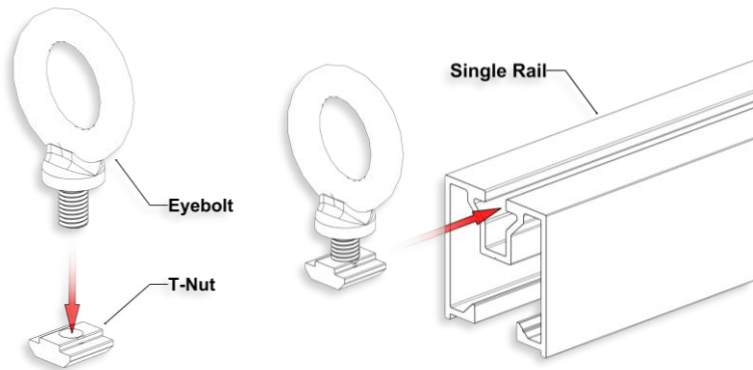
Note: See **Appendix** for Load Tables - Allowable attachment span.



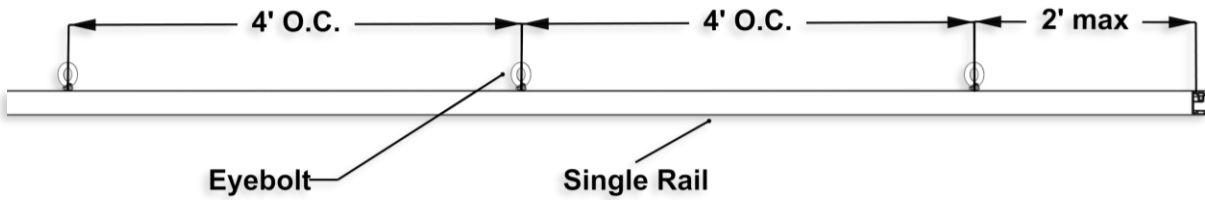
Install Hanger Clip system

Step 1 -Eyebolt Install

Measure and cut Rails for the required area. Measure and install Eyebolts every 4' O.C. max with a 2' max cantilever. Slide the Eyebolt and T-Nut onto each Rail and tighten the Eyebolt once in position.

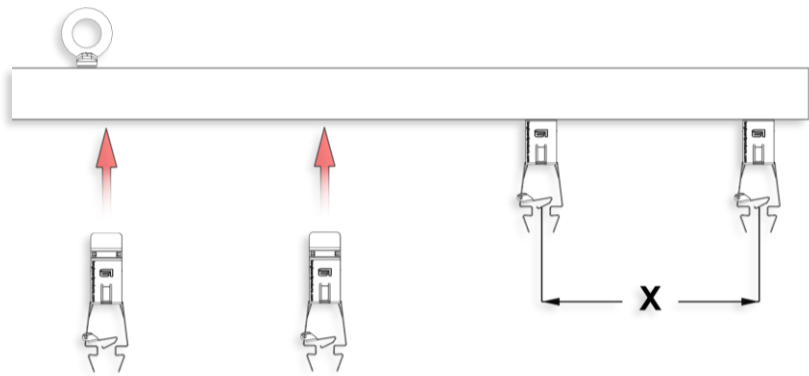


Note: Tighten Eyebolt all the way so it is not loose.

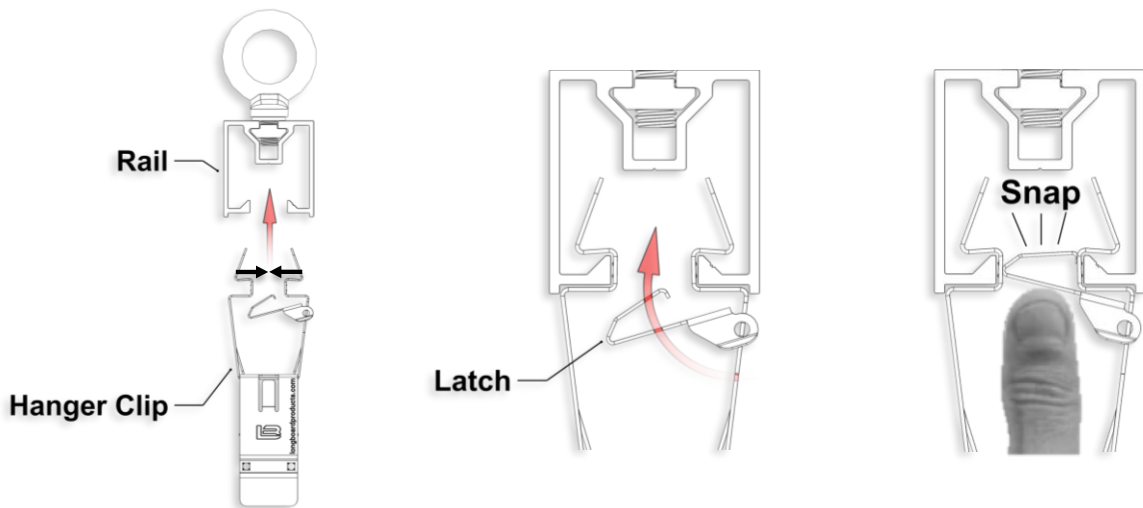


Step 2 -Hanger Clip Install

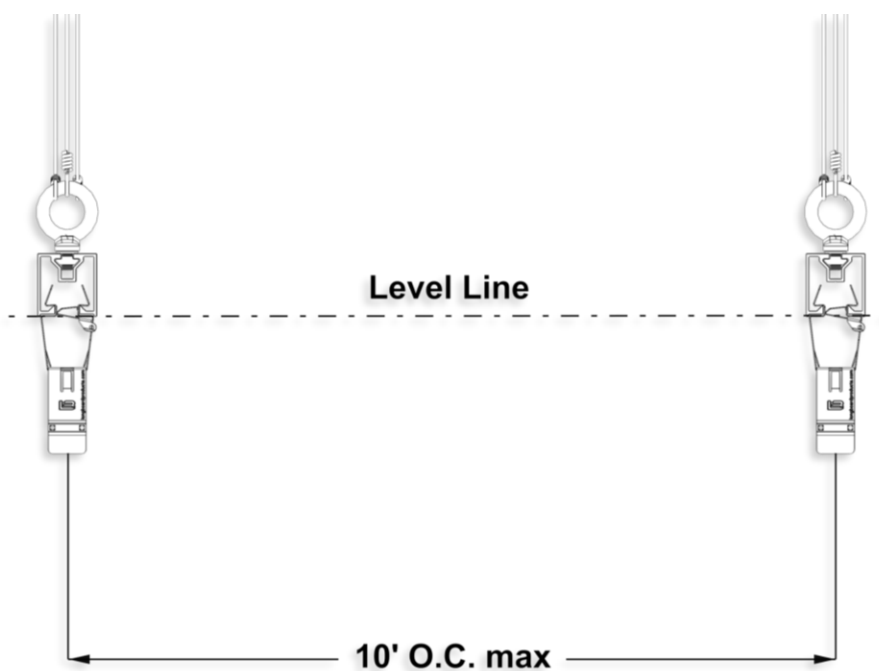
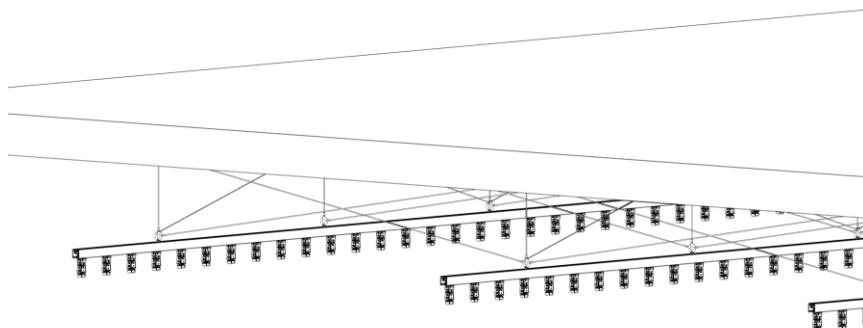
Measure desired Baffle spacings on the Rail (X) and install Hanger Clips as shown. The Hanger Clip is designed with a Latch that when pressed locks the Hanger Clip into place. Using thumb, press with pressure to snap the Latch into place. See images for details.



Note: The Hanger Clip is universal so it can be installed either end into the Rail or Baffle.



Step 3 -Rail Install
 Install Rails with Hanger Clips onto ceiling structure with wires or Ready Rod. Make sure to level out the Rails so they are all plumb and straight.

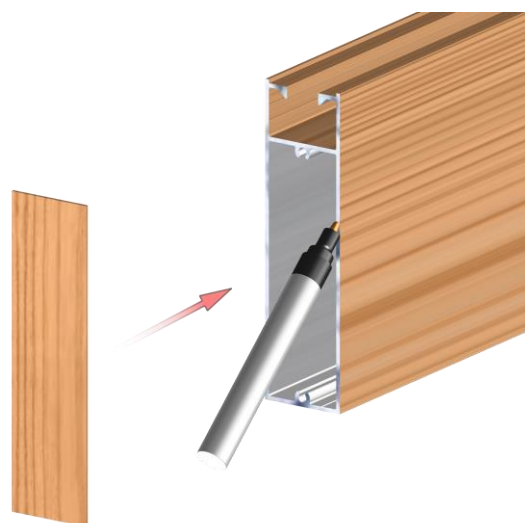


Note: See **Appendix** for allowable attachment span.
Tables 1 & 2.

Step 4 -Baffle Preparation

Measure and cut Baffles for the required area.

Use a Paint Pen on the cut ends and install End Caps. End Caps are friction fit and if needed can be installed with a Rubber Mallet to protect the finish.



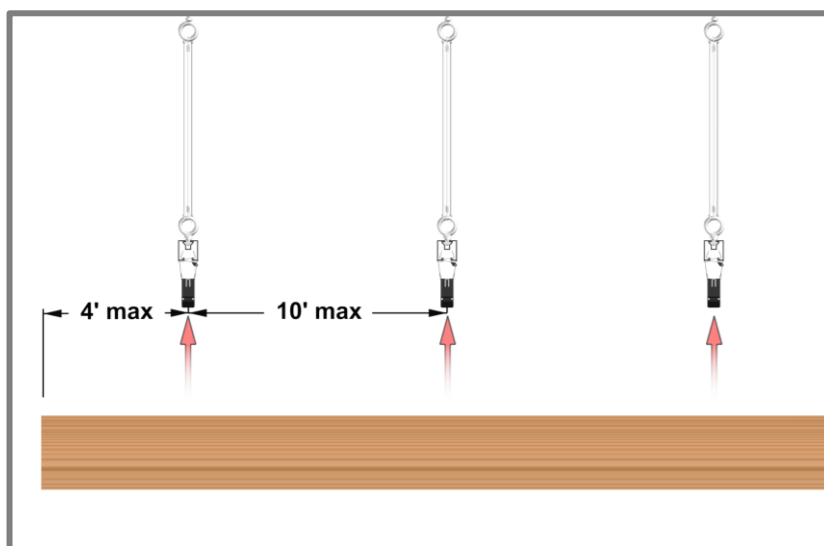
Step 5 -Baffle Install

Lift Baffles into place onto the Hanger Clips previously installed on the Rails.

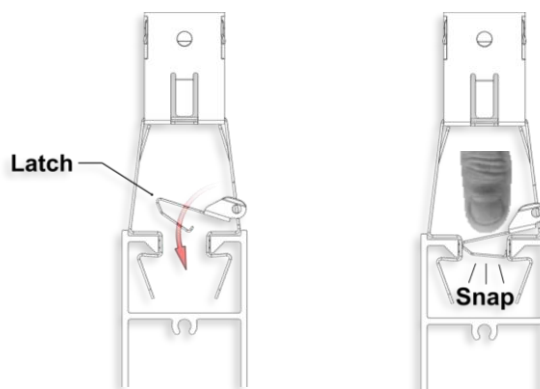
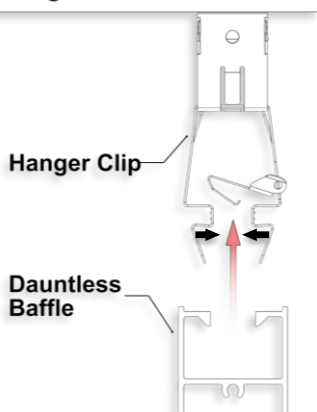
Using the Latch, snap the Baffle into place for every hanger Clip along the length. Make sure to check that Baffles are level, plumb and straight.

Note: Make sure every Hanger Clip is attached and snapped onto the Baffle.

Repeat Steps 4 & 5 for the rest of the Baffles.



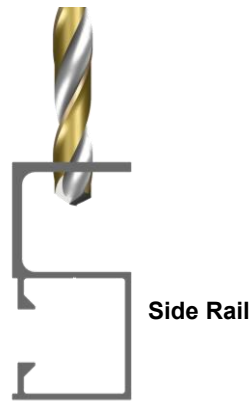
Single Rail



Install Hanger Bracket system

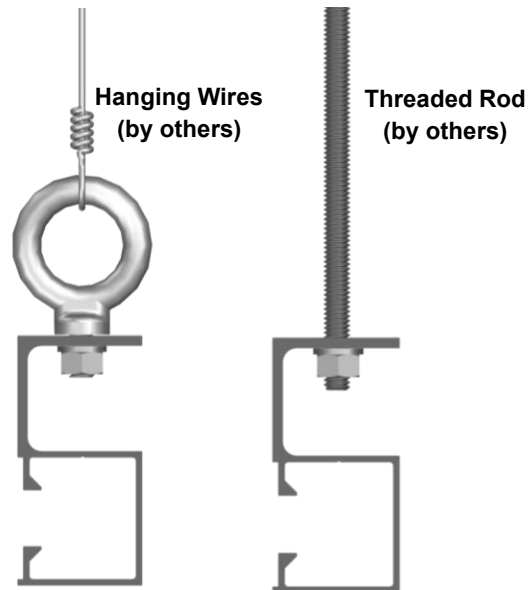
Step 1 -Pre-drill Side Rails

Measure and cut Rails for the required area. Measure and drill holes for wire or threaded rod attachment every 4' O.C. max with a 2' max rail cantilever.



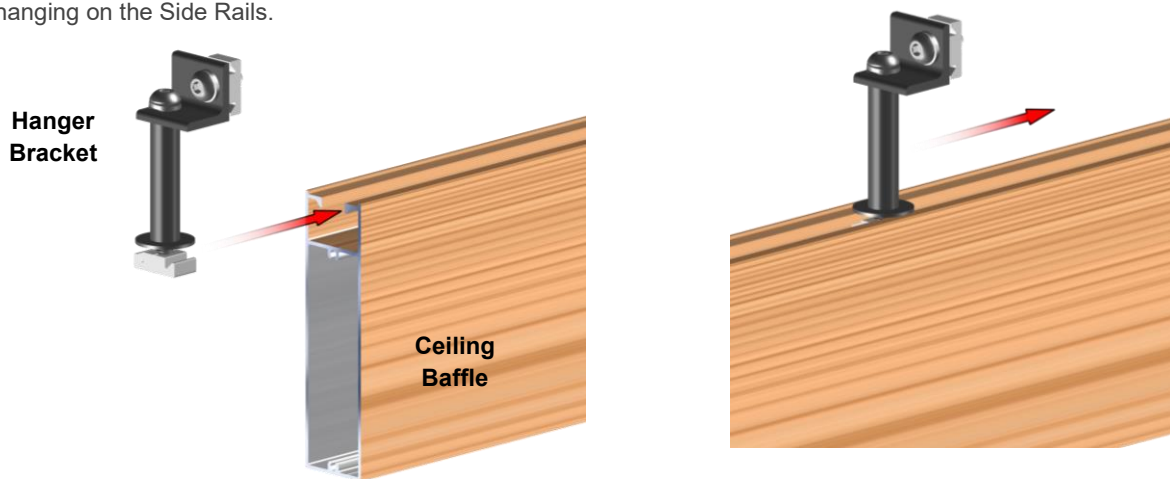
Step 2 -Rail Install

Install Rails with Hanger Brackets onto ceiling structure with wires or Ready Rod. Make sure to level out the Rails so they are all plumb and straight.



Step 3 -Beam Preparation

Measure and cut Baffles for the required area. Install Hanger Brackets and slide them to the desired attachment spacing for hanging on the Side Rails.

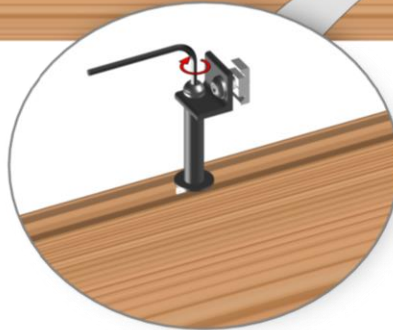


Tighten Hanger Bracket bolts (hand tight) at the measured location using 7/32" Allen Key (by others).

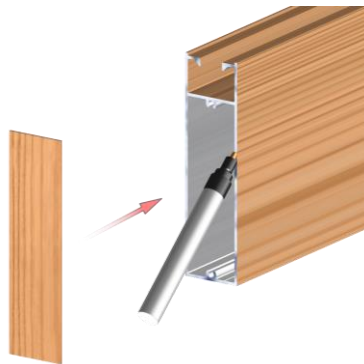
10' O.C. max



Note: See **Appendix** for allowable attachment span. **Tables 1 & 2.**

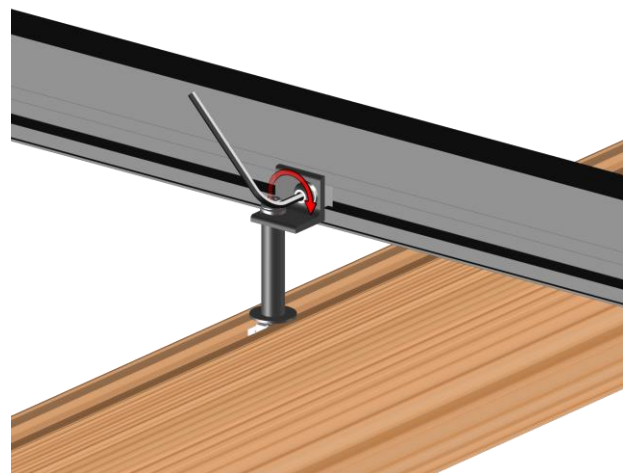
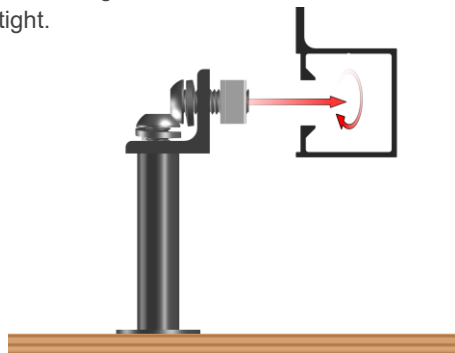


Use a Paint Pen on the cut ends and install End Caps. End Caps are friction fit and if needed can be installed with a Rubber Mallet to protect the finish.



Step 4 -Baffle Install

Lift Dauntless Ceiling Baffle into place and tighten bolts to secure the Bracket to the Side Rail. Adjust for level/straight and check bolts are tight.



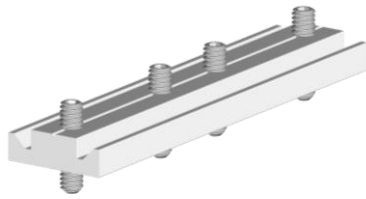
Details

Butt-Joints using spline connector

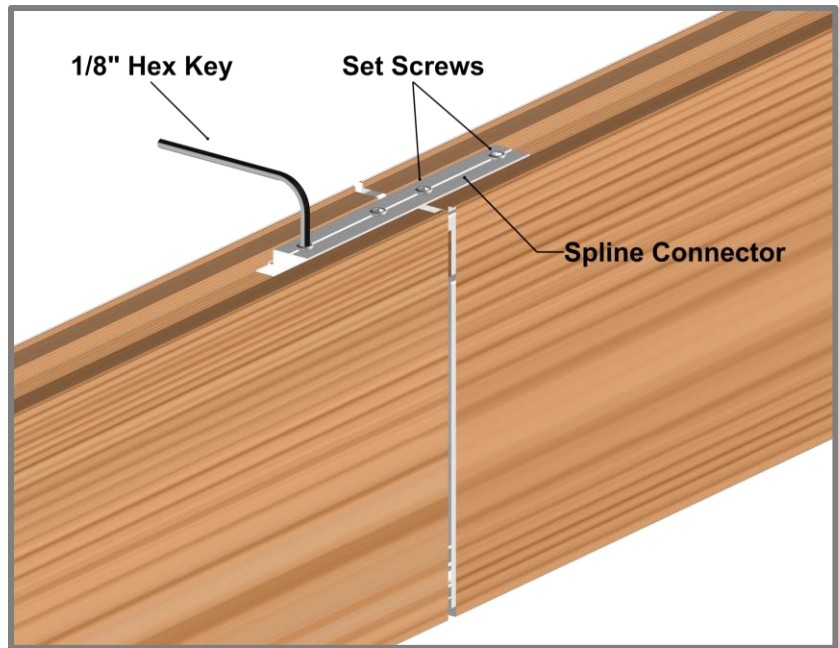
Spline Connectors are used to connect Dauntless Baffles together to achieve a seamless look for linear runs greater than 24'.

A 1/8" Hex Key is used (by others) to tighten the Set Screws once in the desired position.

Spline Connector and Set Screws are purchased separately.

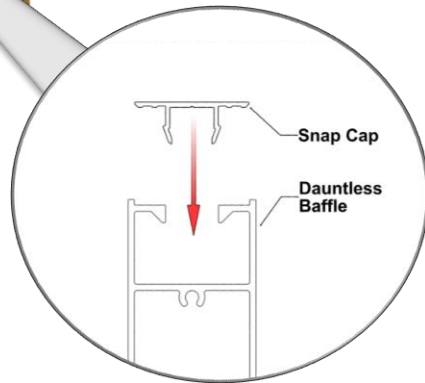


Spline Connector with Set Screws

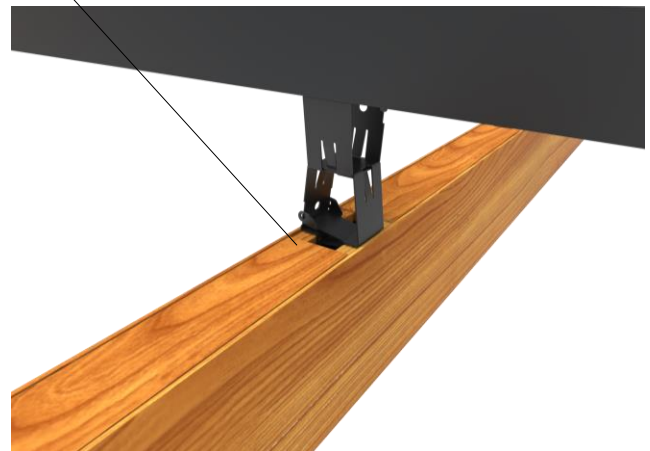


Snap Cap Install (For line-of-sight aesthetics if required)

Ceiling Baffle Snap Cap is installed to finish the top of the Baffle. Snap Caps are friction fit and if needed can be installed with a Rubber Mallet to protect the finish.

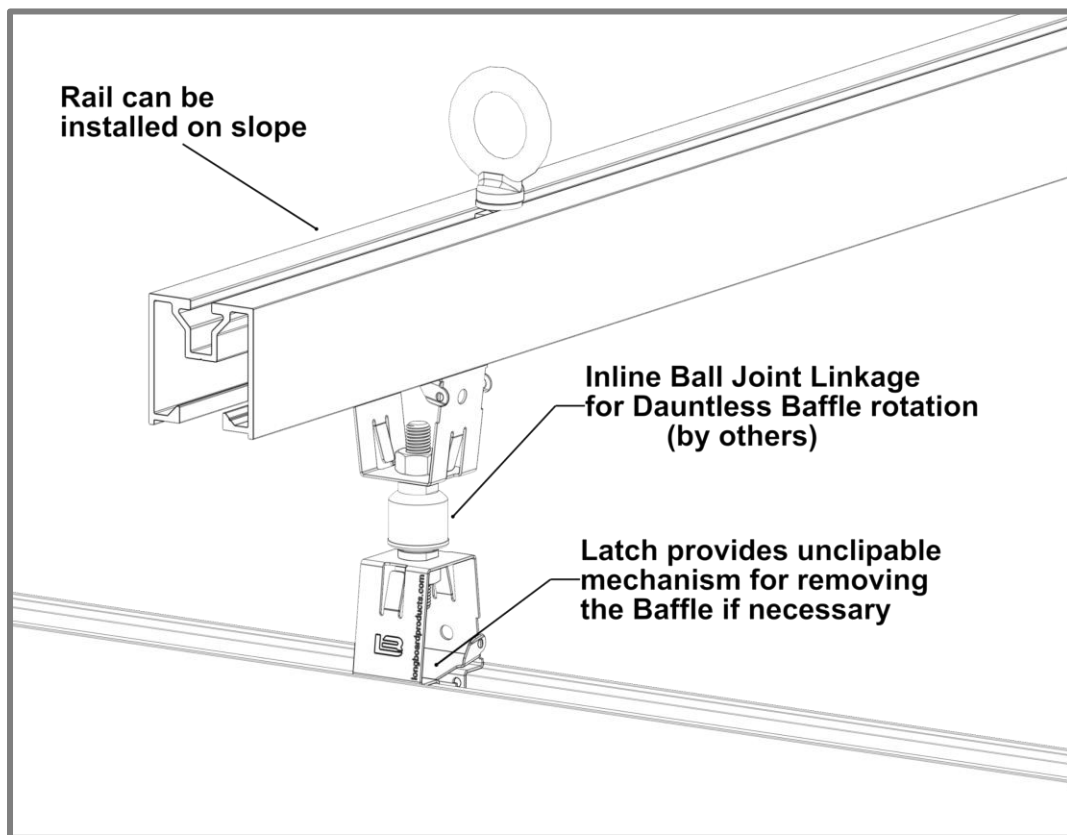
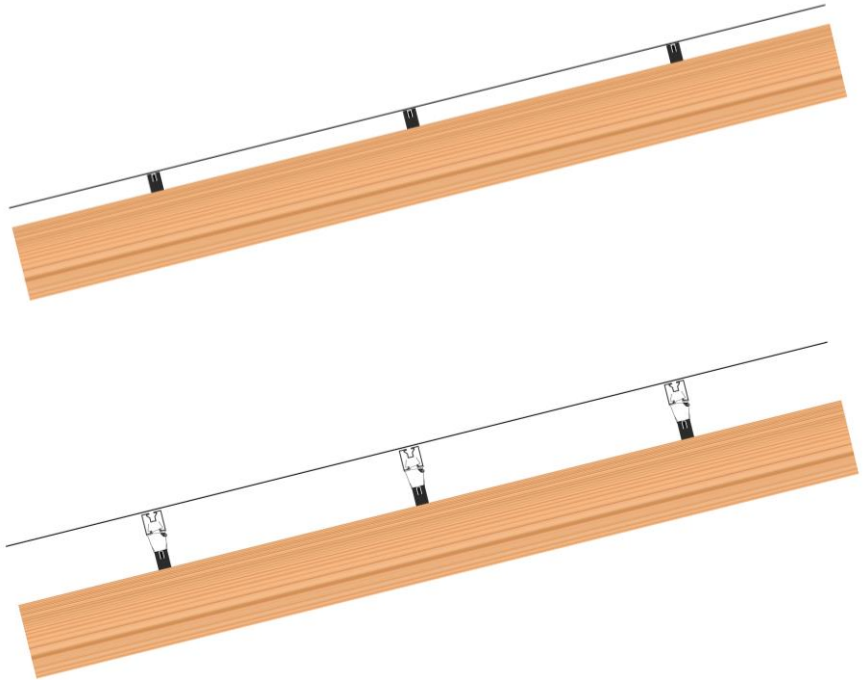


Note: Cut out Snap Caps with enough room to install between the Hanger Clips/Brackets.



Angled orientation options

Dauntless Hanger Clips and Brackets can be installed on angled ceilings directly mounted to substrate. Depending on the variations in ceiling angles and degrees of slope, Longboard recommends support through specific project-based analysis.



Install option for rotational axis.

Appendix

Load Table - Allowable attachment span

4" & 6" DAUNTLESS		RAIL SPACING			
4" Baffle	6" Baffle	4'	6'	8'	10'
BAFFLE SPACING - O.C. (INCH)					
4"	6" Baffle		4" Baffle		
5"			6" Baffle	4" Baffle	
6"			6" Baffle		4" Baffle
7"				6" Baffle	4" Baffle
8"				6" Baffle	4" Baffle
9"+					4" Baffle 6" Baffle

Calculations are using deflection limits of: Baffles = L/180 ; Rails = L/360

Cantilever = 3' Max.

v.1.4

GENERAL NOTES:

- Adequacy of the structure and suspension system capable of withstanding applied product loads is the responsibility of the engineer or architect of record for the project of installation.
- Suspension system (type, spacing, sway bracing, seismic bracing etc.) is the responsibility of others.
- The details described herein are generic and may not reflect actual conditions for a specific site. If site conditions cause installation to deviate from the requirements detailed herein, a licensed engineer or architect shall prepare site specific documents for use with this document.

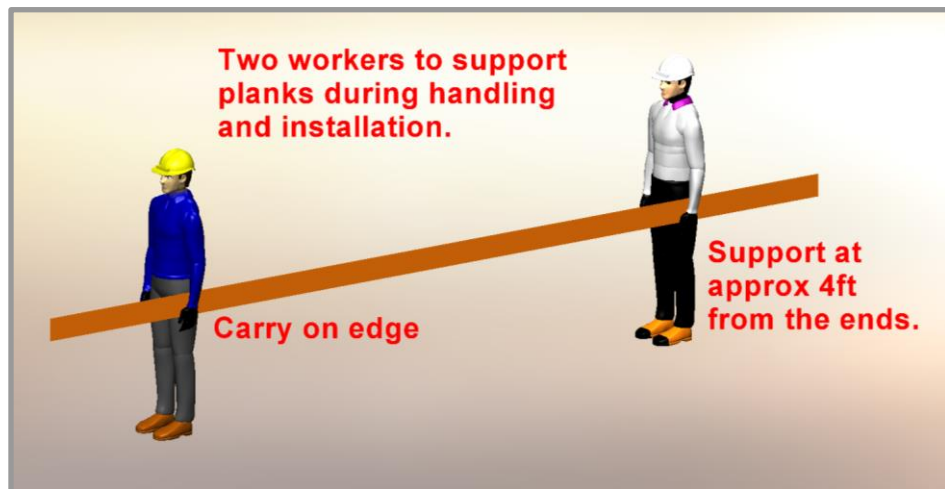
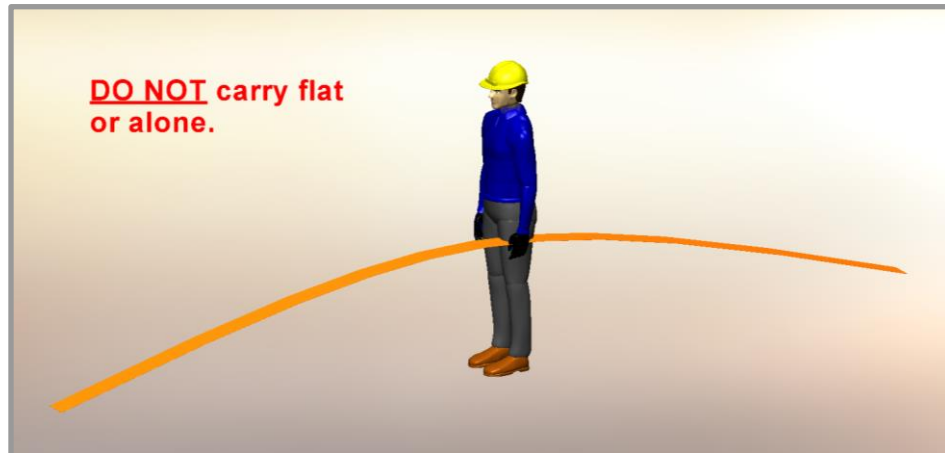
INSTALLATION NOTES:

- One (1) Hanger Clip or Hanger Bracket is required at each location. Minimum of two (2) hangers per baffle.
- The spacing of rails per the table is the minimum number of rails to be used for installation.

Proper Handling of Longboard Products



To help avoid injury and product damage, Longboard products require proper handling to and from storage areas during installation. When carrying or installing any products it is recommended that they be moved or carried by at least two people with each support point approximately 4ft from the ends. **Carrying products without proper support can cause excessive bending which may damage the appearance or finish of the product.** Any short cut lengths should also be carried on edge while supporting the material. See below for details.



⚠️ Delivery, Storage & Handling ⚠️

- Always inspect the delivery for damage and contact LB ASAP if there are any issues: info@longboardproducts.com or 1-800-604-0343 and include your PO# and any pictures if possible. Longboard is not responsible for the installation of blemished or damaged material.
- Be sure to store the material flat, keep it dry, safe & secure and remain in unopened cartons until ready to be installed.
- Always wear appropriate PPE when handling products.



Longboard Architectural Products Inc.
© Longboard Architectural Products Inc. All rights reserved.

Longboard® is a registered trademark of Longboard Architectural Products Inc.

Longboard
1777 Clearbrook Road
Abbotsford, BC V2T 8X8
Canada
longboardproducts.com

Every effort has been made to ensure that the information in these installation guidelines is accurate. Longboard is not responsible for printing or clerical errors.

For more information, contact client care at info@longboardproducts.com or call toll free 1-800-604-0343.