

## DAUNTLESS BAFFLE TYPICAL DETAIL

### TABLE OF CONTENT

(Click on the drawing name below to be directed to the right profile)

[DAUNTLESS BAFFLE WITH 3" HANGER CLIP](#)

[DAUNTLESS BAFFLE WITH 1.5" HANGER CLIP](#)

[DAUNTLESS BAFFLE WITH HANGER BRACKET](#)

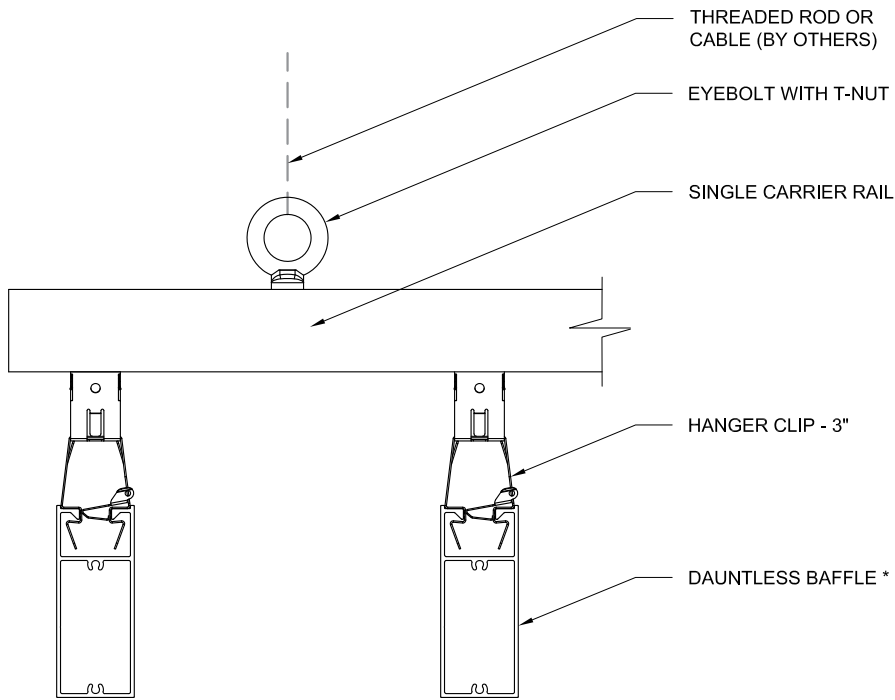
[DAUNTLESS BAFFLE WITH DOUBLE CARRIER RAIL](#)

[DAUNTLESS BAFFLE WITH VARIABLE HANGER BRACKETS](#)

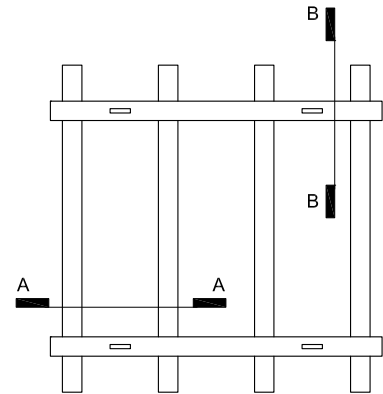
[DAUNTLESS BAFFLE WITH LIGHT FIXTURES](#)

[DAUNTLESS BAFFLE WITH SPRINKLERS](#)

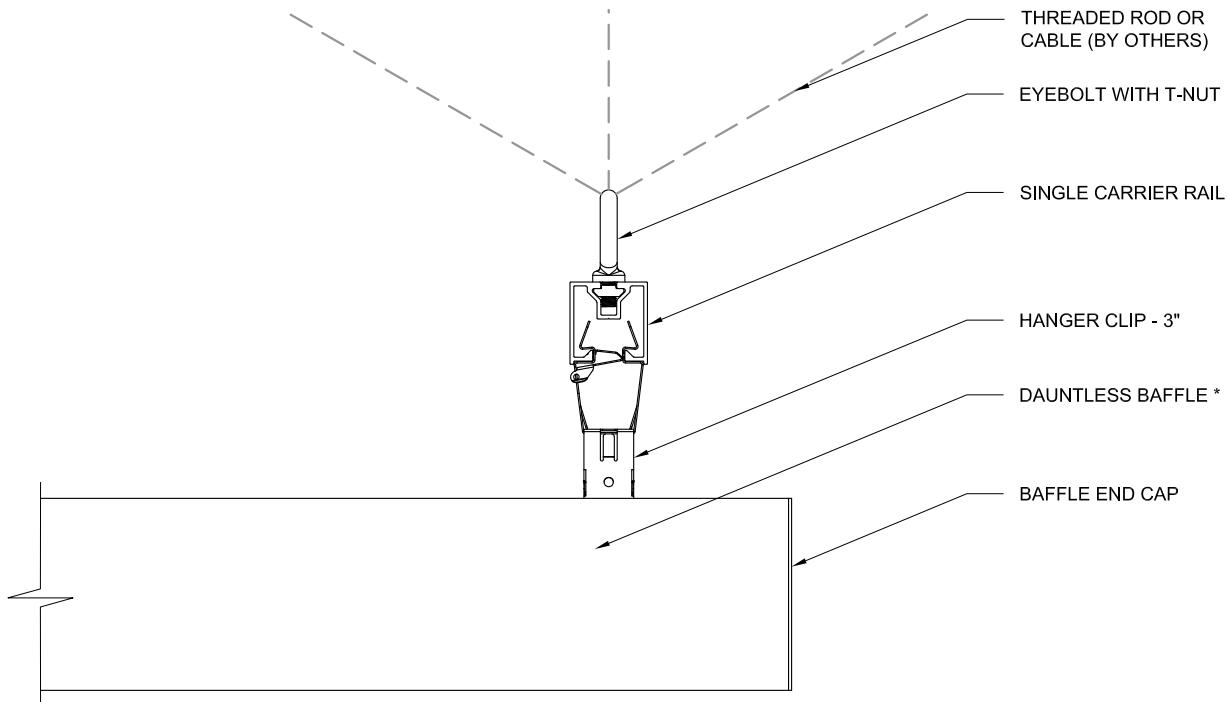
[DAUNTLESS BAFFLE WITH SPLINE CONNECTOR](#)



SECTION A-A



KEY PLAN



SECTION B-B

\* THIS APPLICATION COULD BE TYPICAL FOR ALL BAFFLES CEILING PROFILES.

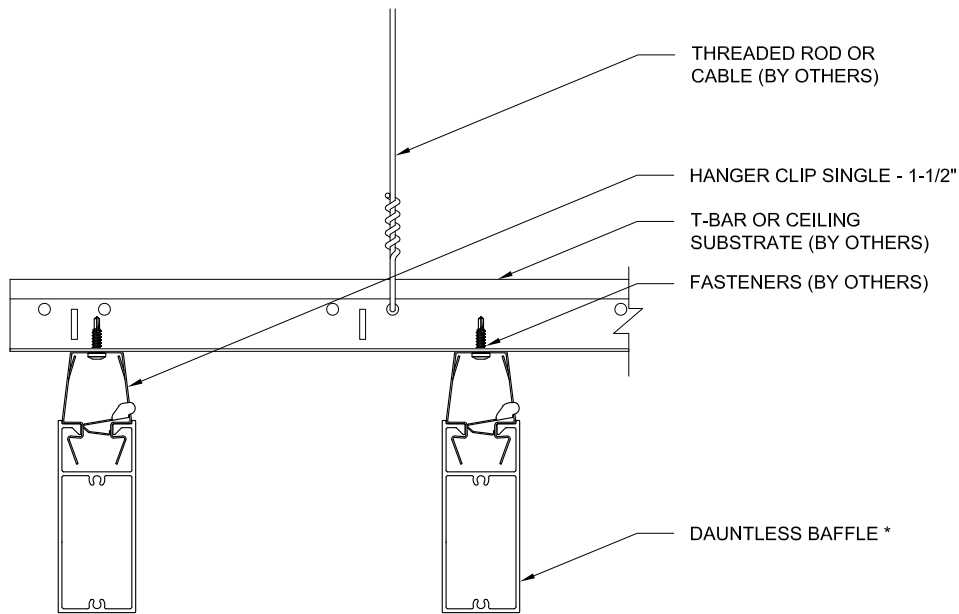
These drawings are published as an information guide only. These CAD drawings are intended as templates to assist the designer, they do not contain the full detail required for construction and must be read in conjunction with the installation instructions on [www.longboardproducts.com](http://www.longboardproducts.com). You should obtain architectural, engineering or other technical advice to assess the suitability of these drawings to the requirements of your particular project. Longboard Architectural Products accepts no liability in respect to the use of these drawings. For complete installation instructions refer to the appropriate documentation here [www.longboardproducts.com/resources/technical-documentation/installation-guides](http://www.longboardproducts.com/resources/technical-documentation/installation-guides)

## DAUNTLESS BAFFLE WITH 3" HANGER CLIP

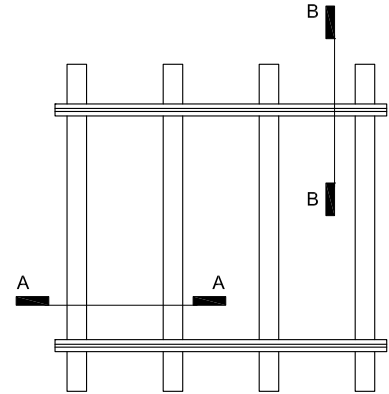
SCALE 1:4



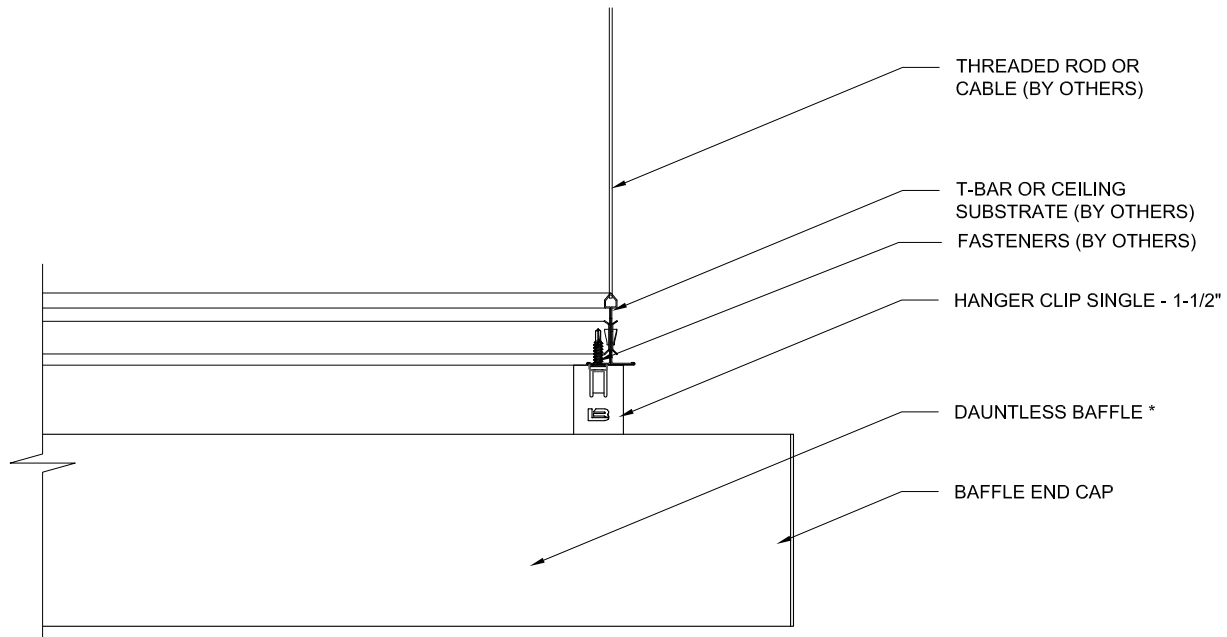
ISSUE DATE: 2026-04-09



SECTION A-A



KEY PLAN



SECTION B-B

\* THIS APPLICATION COULD BE TYPICAL FOR ALL BAFFLES CEILING PROFILES.

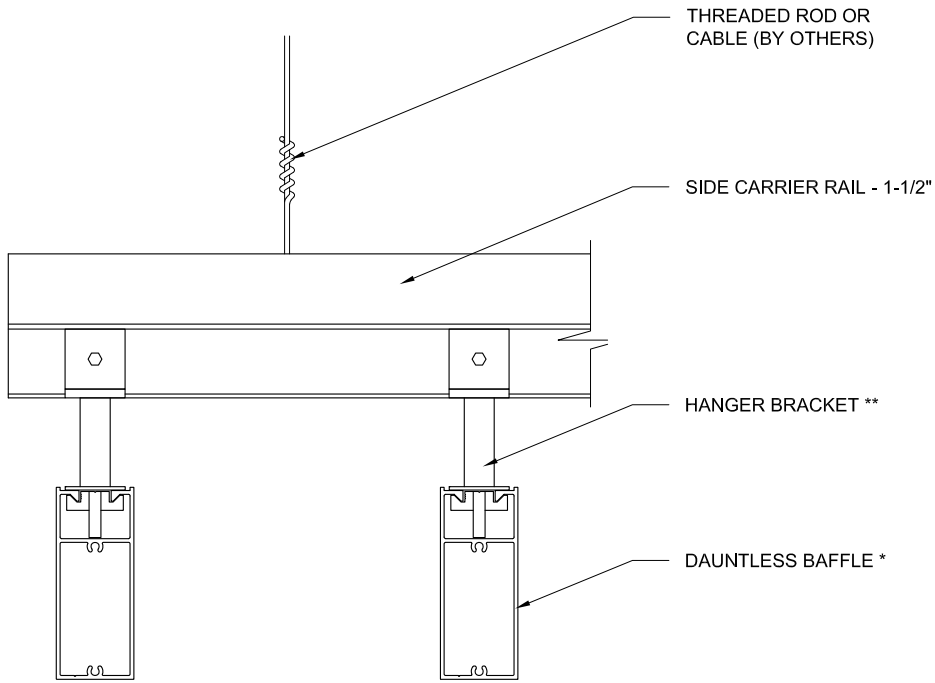
These drawings are published as an information guide only. These CAD drawings are intended as templates to assist the designer, they do not contain the full detail required for construction and must be read in conjunction with the installation instructions on [www.longboardproducts.com](http://www.longboardproducts.com). You should obtain architectural, engineering or other technical advice to assess the suitability of these drawings to the requirements of your particular project. Longboard Architectural Products accepts no liability in respect to the use of these drawings. For complete installation instructions refer to the appropriate documentation here [www.longboardproducts.com/resources/technical-documentation/installation-guides](http://www.longboardproducts.com/resources/technical-documentation/installation-guides)

## CEILING BEAMS WITH 1.5" HANGER CLIP ATTACHED TO T-BAR

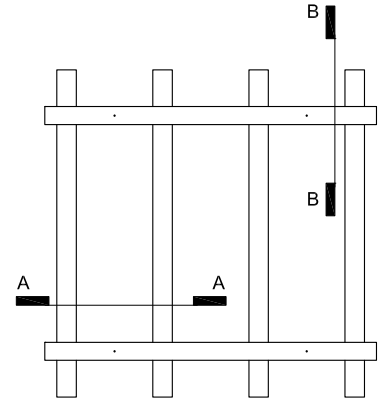
SCALE 1:4



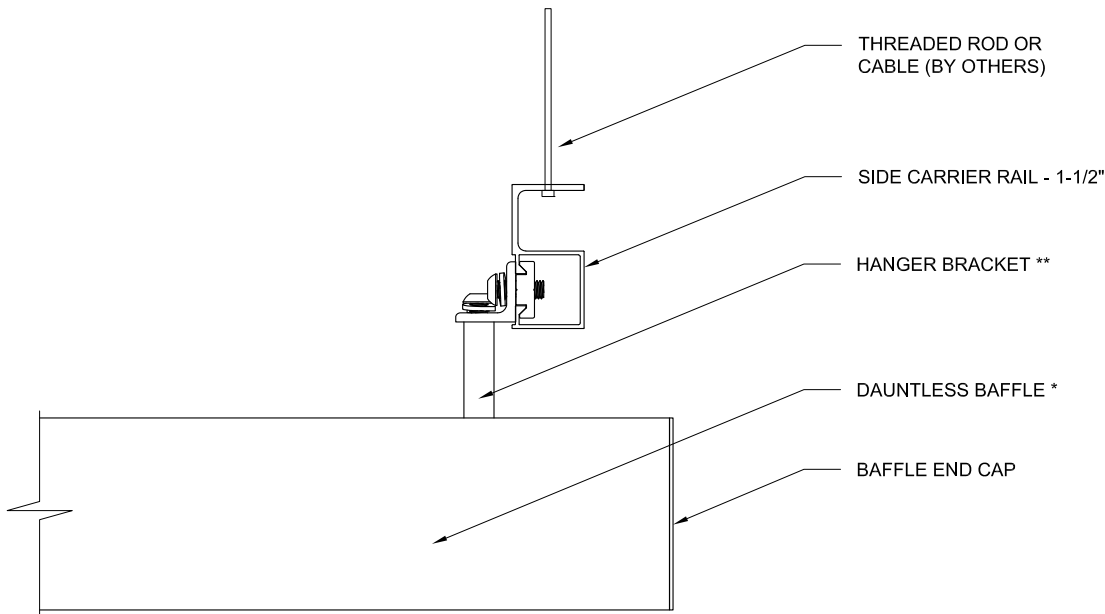
ISSUE DATE: 2026-04-09



SECTION A-A



KEY PLAN



SECTION B-B

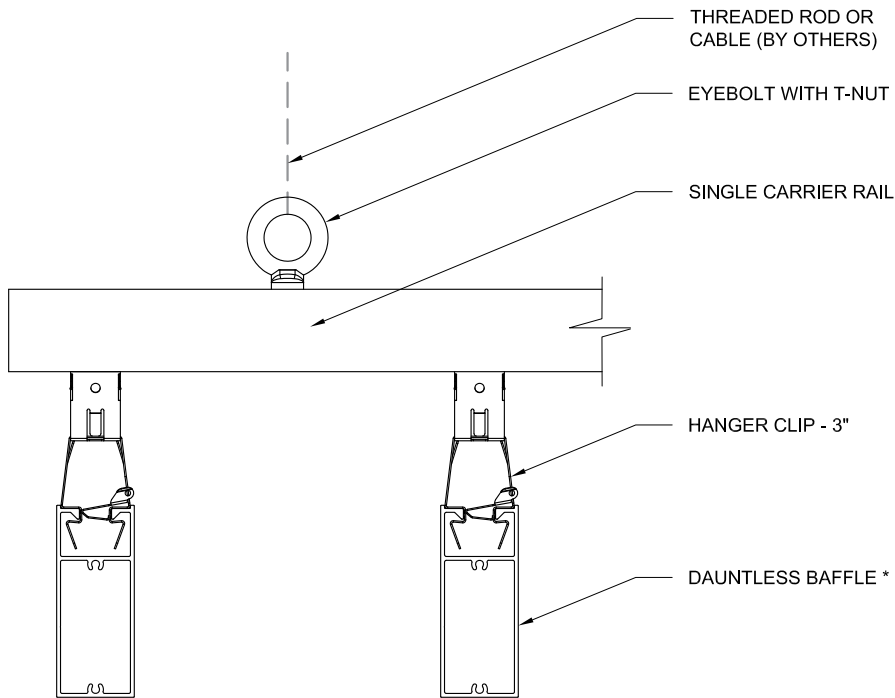
\* THIS APPLICATION COULD BE TYPICAL FOR ALL BAFFLES CEILING PROFILES.  
 \*\* THIS APPLICATION COULD BE TYPICAL FOR ALL DIFFERENT BRACKET LENGTHS.

These drawings are published as an information guide only. These CAD drawings are intended as templates to assist the designer, they do not contain the full detail required for construction and must be read in conjunction with the installation instructions on [www.longboardproducts.com](http://www.longboardproducts.com). You should obtain architectural, engineering or other technical advice to assess the suitability of these drawings to the requirements of your particular project. Longboard Architectural Products accepts no liability in respect to the use of these drawings. For complete installation instructions refer to the appropriate documentation here [www.longboardproducts.com/resources/technical-documentation/installation-guides](http://www.longboardproducts.com/resources/technical-documentation/installation-guides)

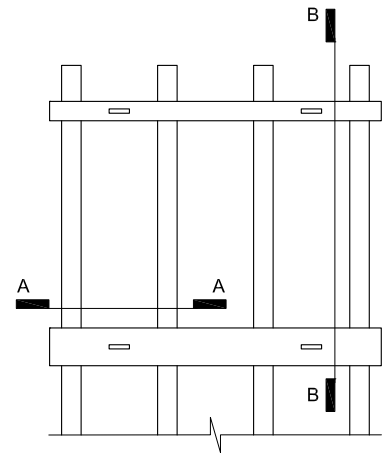
## DAUNTLESS BAFFLE WITH HANGER BRACKET

SCALE 1:4

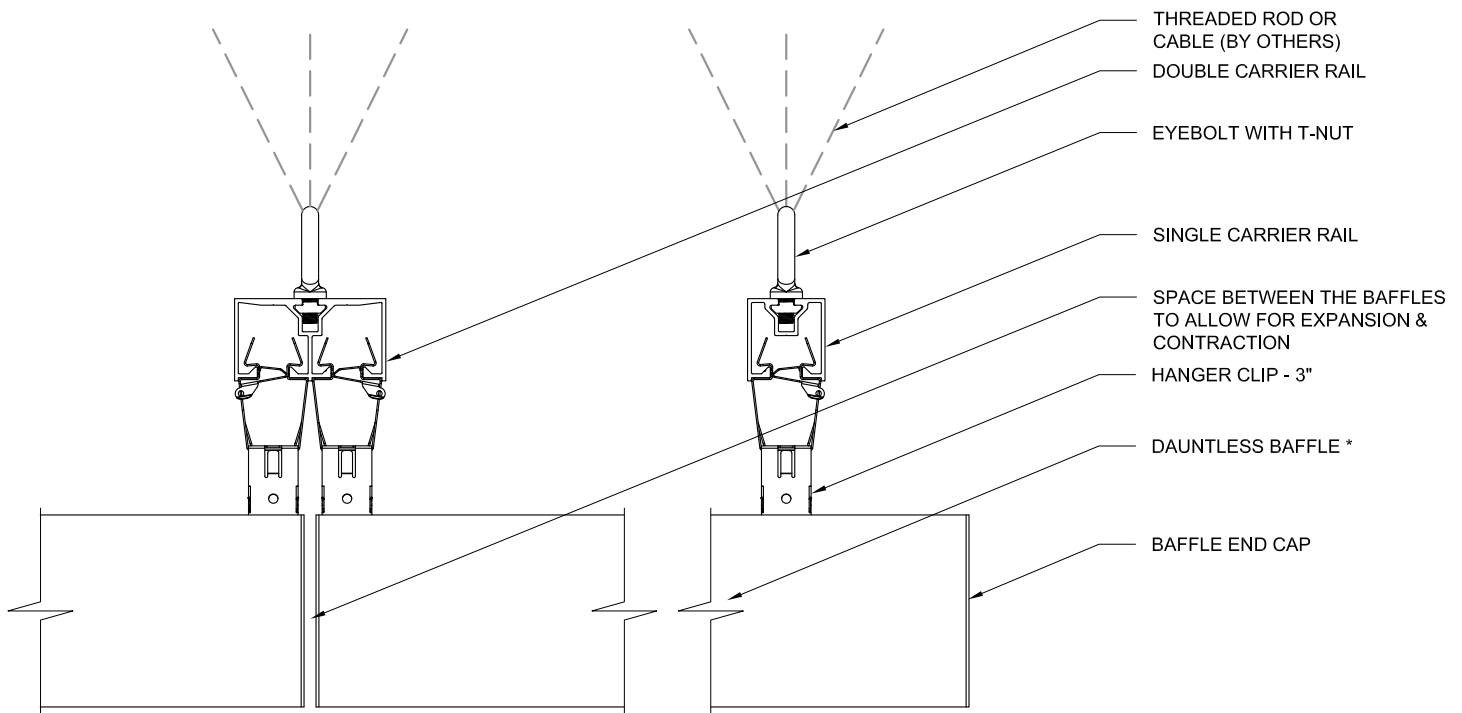




SECTION A-A



KEY PLAN



SECTION B-B

\* THIS APPLICATION COULD BE TYPICAL FOR ALL BAFFLES CEILING PROFILES.

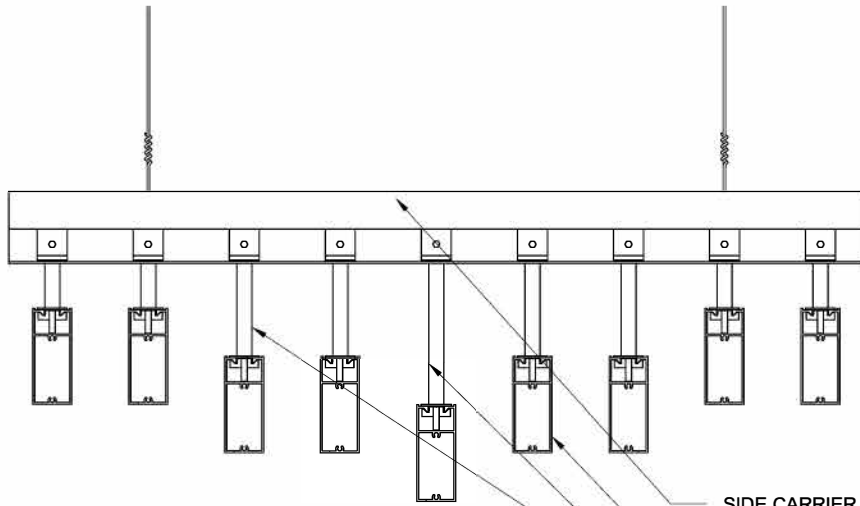
These drawings are published as an information guide only. These CAD drawings are intended as templates to assist the designer, they do not contain the full detail required for construction and must be read in conjunction with the installation instructions on [www.longboardproducts.com](http://www.longboardproducts.com). You should obtain architectural, engineering or other technical advice to assess the suitability of these drawings to the requirements of your particular project. Longboard Architectural Products accepts no liability in respect to the use of these drawings. For complete installation instructions refer to the appropriate documentation here [www.longboardproducts.com/resources/technical-documentation/installation-guides](http://www.longboardproducts.com/resources/technical-documentation/installation-guides)

## DAUNTLESS BAFFLE WITH DOUBLE CARRIER RAIL

SCALE 1:4

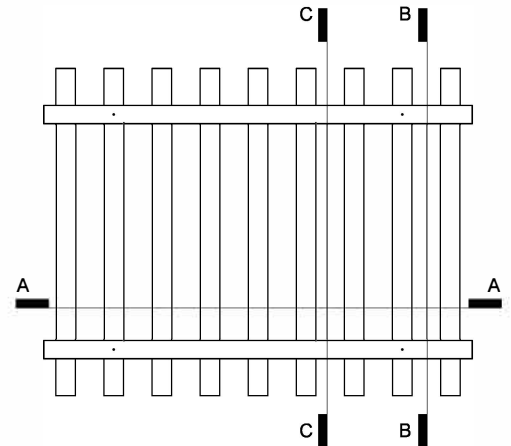


ISSUE DATE: 2026-04-09

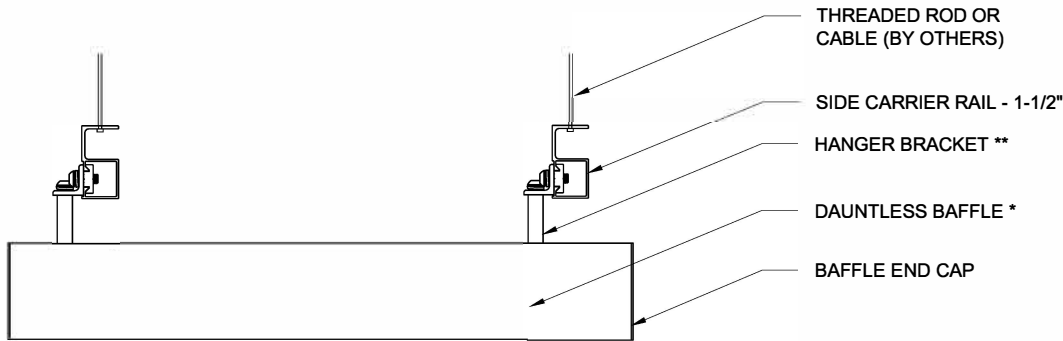


SECTION A-A

- SIDE CARRIER RAIL - 1-1/2"
- DAUNTLESS BAFFLE \*
- HANGER BRACKET \*\*

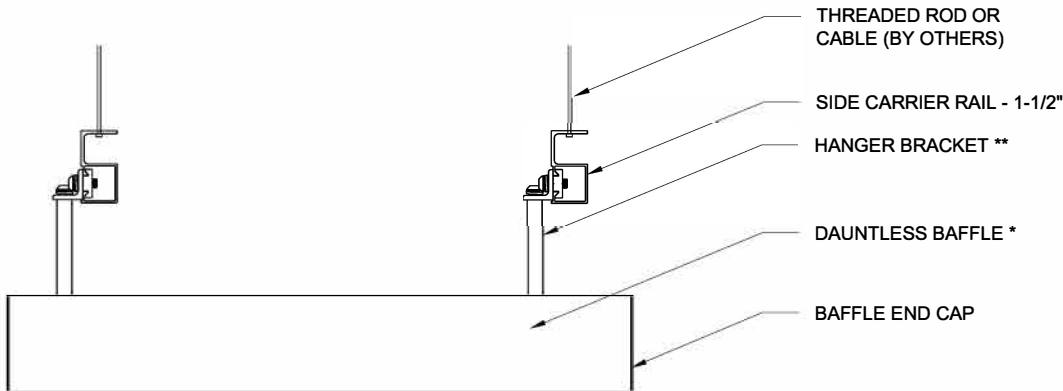


KEY PLAN



SECTION B-B

- THREADED ROD OR CABLE (BY OTHERS)
- SIDE CARRIER RAIL - 1-1/2"
- HANGER BRACKET \*\*
- DAUNTLESS BAFFLE \*
- BAFFLE END CAP



SECTION C-C

- THREADED ROD OR CABLE (BY OTHERS)
- SIDE CARRIER RAIL - 1-1/2"
- HANGER BRACKET \*\*
- DAUNTLESS BAFFLE \*
- BAFFLE END CAP

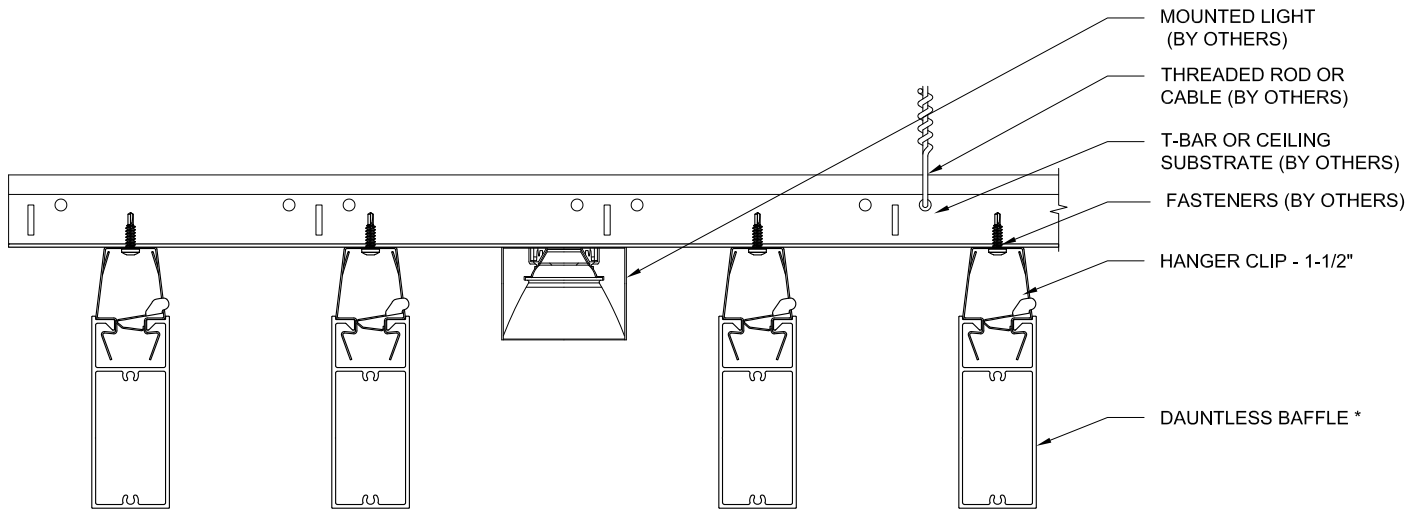
\* THIS APPLICATION COULD BE TYPICAL FOR ALL BAFFLES CEILING PROFILES.  
 \*\* THIS APPLICATION COULD BE TYPICAL FOR ALL DIFFERENT BRACKET LENGTHS.

These drawings are published as an information guide only. These CAD drawings are intended as templates to assist the designer, they do not contain the full detail required for construction and must be read in conjunction with the installation instructions on [www.longboardproducts.com](http://www.longboardproducts.com). You should obtain architectural, engineering or other technical advice to assess the suitability of these drawings to the requirements of your particular project.  
 Longboard Architectural Products accepts no liability in respect to the use of these drawings. For complete installation instructions refer to the appropriate documentation here [www.longboardproducts.com/resources/technical-documentation/installation-guides](http://www.longboardproducts.com/resources/technical-documentation/installation-guides)

## DAUNTLESS BAFFLE WITH VARIABLE HANGER BRACKETS

SCALE 1:8





SECTION VIEW

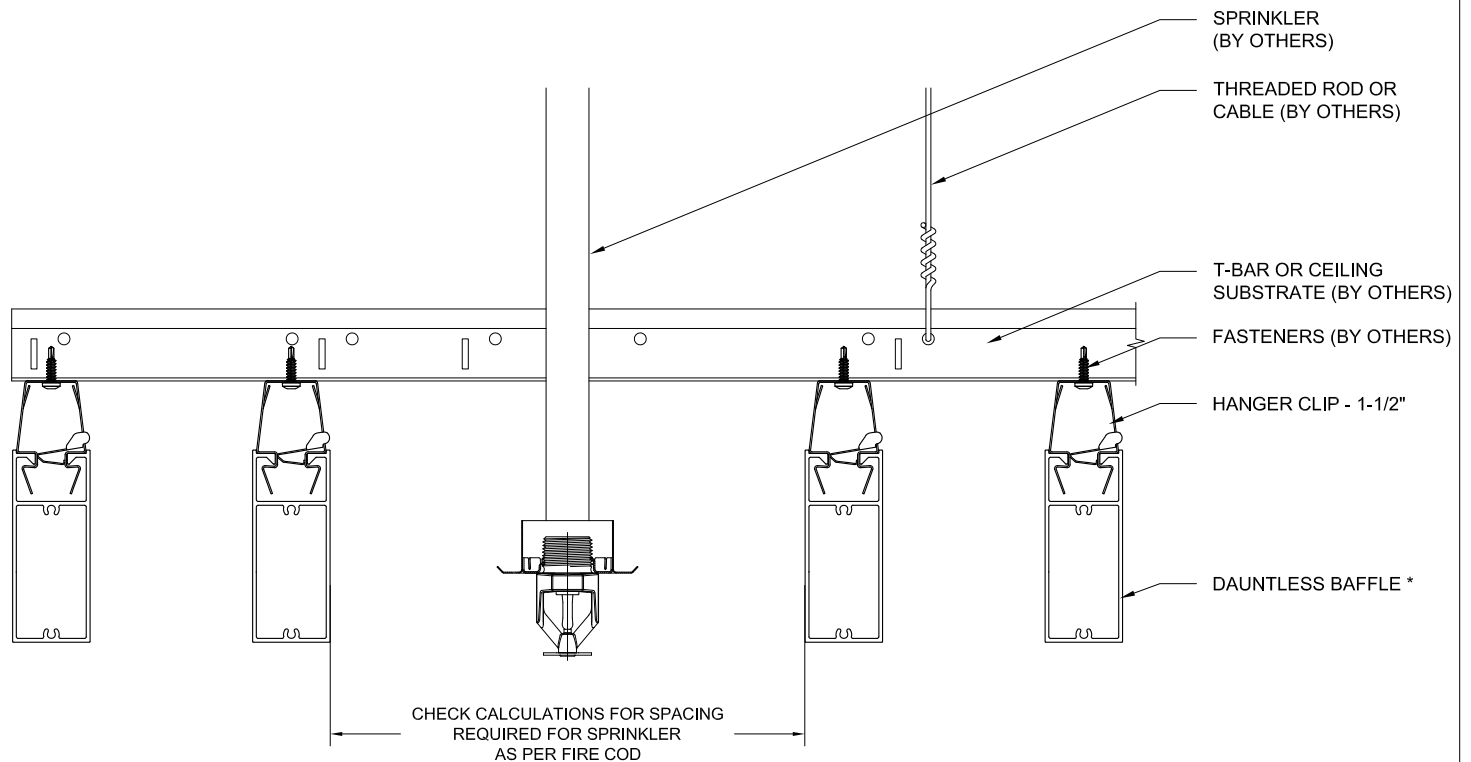
\* THIS APPLICATION COULD BE TYPICAL FOR ALL BAFFLES PROFILES.

These drawings are published as an information guide only. These CAD drawings are intended as templates to assist the designer, they do not contain the full detail required for construction and must be read in conjunction with the installation instructions on [www.longboardproducts.com](http://www.longboardproducts.com). You should obtain architectural, engineering or other technical advice to assess the suitability of these drawings to the requirements of your particular project. Longboard Architectural Products accepts no liability in respect to the use of these drawings. For complete installation instructions refer to the appropriate documentation here [www.longboardproducts.com/resources/technical-documentation/installation-guides](http://www.longboardproducts.com/resources/technical-documentation/installation-guides)

DAUNTLESS BAFFLE WITH LIGHT  
FIXTURES

SCALE 1:4





## SECTION VIEW

\* THIS APPLICATION COULD BE TYPICAL FOR ALL BAFFLES CEILING PROFILES.

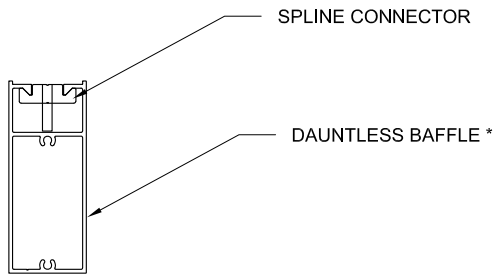
These drawings are published as an information guide only. These CAD drawings are intended as templates to assist the designer, they do not contain the full detail required for construction and must be read in conjunction with the installation instructions on [www.longboardproducts.com](http://www.longboardproducts.com). You should obtain architectural, engineering or other technical advice to assess the suitability of these drawings to the requirements of your particular project. Longboard Architectural Products accepts no liability in respect to the use of these drawings. For complete installation instructions refer to the appropriate documentation here [www.longboardproducts.com/resources/technical-documentation/installation-guides](http://www.longboardproducts.com/resources/technical-documentation/installation-guides)

## DAUNTLESS BAFFLE WITH SPRINKLERS

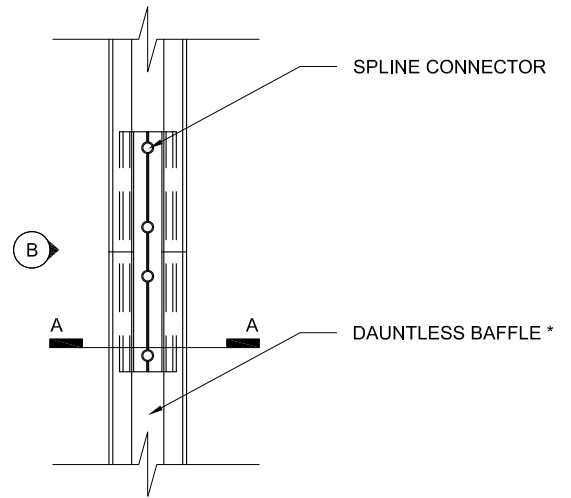
SCALE 1:4



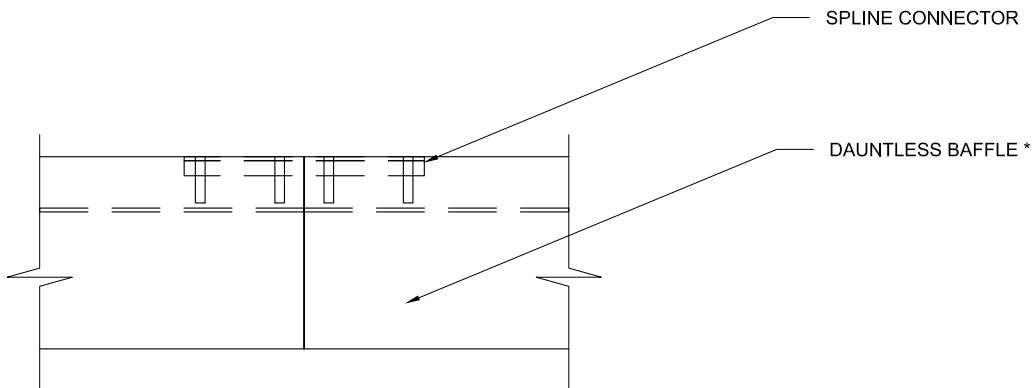
ISSUE DATE: 2026-04-09



SECTION A-A



TOP VIEW



VIEW B

\* THIS APPLICATION COULD BE TYPICAL FOR ALL BAFFLES CEILING PROFILES.

These drawings are published as an information guide only. These CAD drawings are intended as templates to assist the designer, they do not contain the full detail required for construction and must be read in conjunction with the installation instructions on [www.longboardproducts.com](http://www.longboardproducts.com). You should obtain architectural, engineering or other technical advice to assess the suitability of these drawings to the requirements of your particular project. Longboard Architectural Products accepts no liability in respect to the use of these drawings. For complete installation instructions refer to the appropriate documentation here [www.longboardproducts.com/resources/technical-documentation/installation-guides](http://www.longboardproducts.com/resources/technical-documentation/installation-guides)

## DAUNTLESS BAFFLE WITH SPLINE CONNECTOR

SCALE 1:4

