

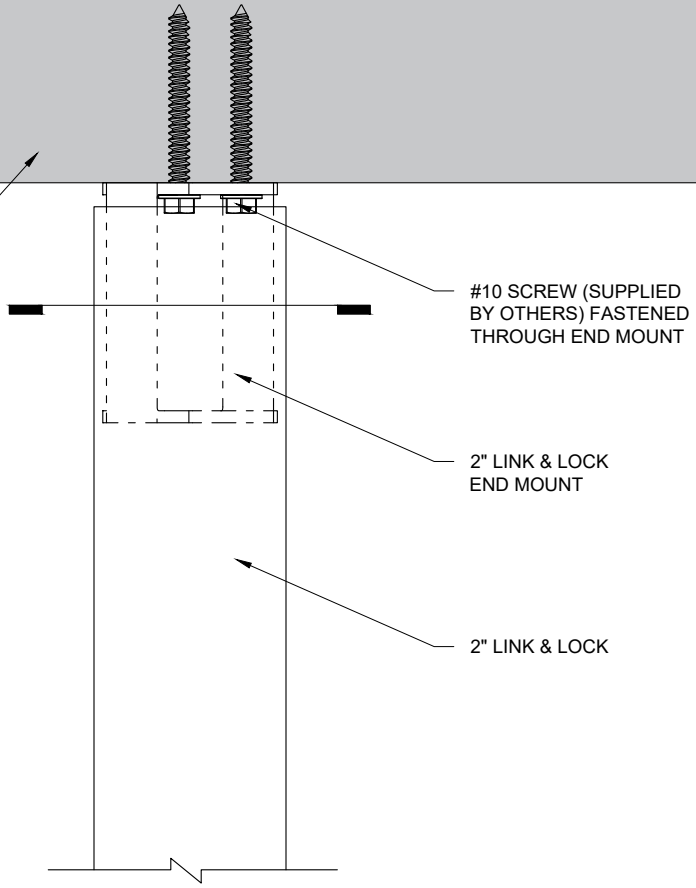
LINK & LOCK™ TYPICAL DRAWINGS

TABLE OF CONTENT

(Click on the drawing name below to be directed to the right profile)

[END MOUNT DETAIL 2" LINK & LOCK TM](#)
[END MOUNT DETAIL 4" LINK & LOCK TM](#)
[END MOUNT DETAIL 6" LINK & LOCK TM](#)
[END MOUNT DETAIL 8" LINK & LOCK TM](#)
[END MOUNT FRONT DETAIL LINK & LOCK TM](#)
[END MOUNT DETAIL 4" LINK & LOCK TM HD](#)
[END MOUNT DETAIL 6" LINK & LOCK TM HD](#)
[END MOUNT DETAIL 8" LINK & LOCK TM HD](#)
[END MOUNT FRONT DETAIL LINK & LOCK TM HD](#)
[BATTEN APPLICATION LINK & LOCK TM](#)
[FIN APPLICATION LINK & LOCK TM](#)
[BATTEN APPLICATION WITH STIFFENER LINK & LOCK TM](#)
[FIN APPLICATION WITH STIFFENER LINK & LOCK TM](#)
[BATTEN APPLICATION LINK & LOCK TM HD](#)
[FIN APPLICATION LINK & LOCK TM HD](#)
[4" X 4" LINK & LOCK TM ATTACHMENT DETAIL](#)
[4" X 6" LINK & LOCK TM ATTACHMENT DETAIL](#)
[CORNER DETAIL - BATTEN APPLICATION LINK & LOCK TM](#)
[CORNER DETAIL - FIN APPLICATION LINK & LOCK TM](#)
[BUTT-JOINT DETAIL LINK & LOCK TM](#)
[LAP-JOINT DETAIL LINK & LOCK TM](#)
[LINK & LOCK TM BRACKET 90° CENTER SLIDING ATTACHMENT](#)
[LINK & LOCK TM BRACKET 90° CENTER FIXED ATTACHMENT](#)
[LINK & LOCK TM BRACKET 45° LEFT FIXED ATTACHMENT](#)
[LINK & LOCK TM BRACKET 45° RIGHT FIXED ATTACHMENT](#)
[LINK & LOCK TM BRACKET 45° LEFT SLIDING ATTACHMENT](#)
[LINK & LOCK TM BRACKET 45° RIGHT SLIDING ATTACHMENT](#)
[LINK & LOCK TM DUAL BRACKET 90° CENTER SLIDING ATTACHMENT](#)
[LINK & LOCK TM DUAL BRACKET 45° RIGHT SLIDING ATTACHMENT](#)
[LINK & LOCK TM DUAL BRACKET 45° LEFT SLIDING ATTACHMENT](#)
[LINK & LOCK TM DUAL BRACKET 90° CENTER FIXED ATTACHMENT](#)
[LINK & LOCK TM DUAL BRACKET 45° LEFT FIXED ATTACHMENT](#)
[LINK & LOCK TM DUAL BRACKET 45° RIGHT FIXED ATTACHMENT](#)
[CLADDING TO SOFFIT TRANSITION LINK & LOCK TM](#)

WALL CONSTRUCTION: SOLID SECURE FRAMING, BLOCKING, FURRING OR STRAPPING SECURELY FASTENED

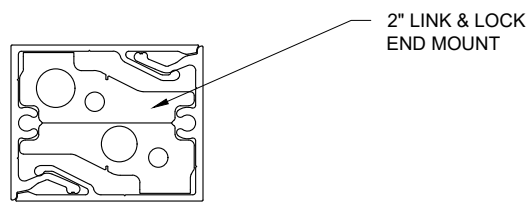


#10 SCREW (SUPPLIED BY OTHERS) FASTENED THROUGH END MOUNT

2" LINK & LOCK END MOUNT

2" LINK & LOCK

ELEVATION



2" LINK & LOCK END MOUNT

PLAN

END MOUNT DETAIL
2" LINK & LOCK™
SCALE: 1:2

These drawings are published as an information guide only. These CAD drawings are intended as templates to assist the designer, they do not contain the full detail required for construction and must be read in conjunction with the installation instructions on www.longboardproducts.com. You should obtain architectural, engineering or other technical advice to assess the suitability of these drawings to the requirements of your particular project. Longboard Architectural Products accepts no liability in respect to the use of these drawings. For complete installation instructions refer to the appropriate documentation here www.longboardproducts.com/resources/technical-documentation/installation-guides



WALL CONSTRUCTION: SOLID SECURE FRAMING, BLOCKING, FURRING OR STRAPPING SECURELY FASTENED

#12 SCREW (SUPPLIED BY OTHERS) FASTENED THROUGH END MOUNT

4" LINK & LOCK END MOUNT

4" LINK & LOCK

ELEVATION

4" LINK & LOCK END MOUNT

PLAN

END MOUNT DETAIL
4" LINK & LOCK™
SCALE: 1:2



These drawings are published as an information guide only. These CAD drawings are intended as templates to assist the designer, they do not contain the full detail required for construction and must be read in conjunction with the installation instructions on www.longboardproducts.com. You should obtain architectural, engineering or other technical advice to assess the suitability of these drawings to the requirements of your particular project. Longboard Architectural Products accepts no liability in respect to the use of these drawings. For complete installation instructions refer to the appropriate documentation here www.longboardproducts.com/resources/technical-documentation/installation-guides

WALL CONSTRUCTION: SOLID
SECURE FRAMING, BLOCKING,
FURRING OR STRAPPING
SECURELY FASTENED

#12 SCREW (SUPPLIED
BY OTHERS) FASTENED
THROUGH END MOUNT

6" LINK & LOCK
END MOUNT

6" LINK & LOCK

ELEVATION

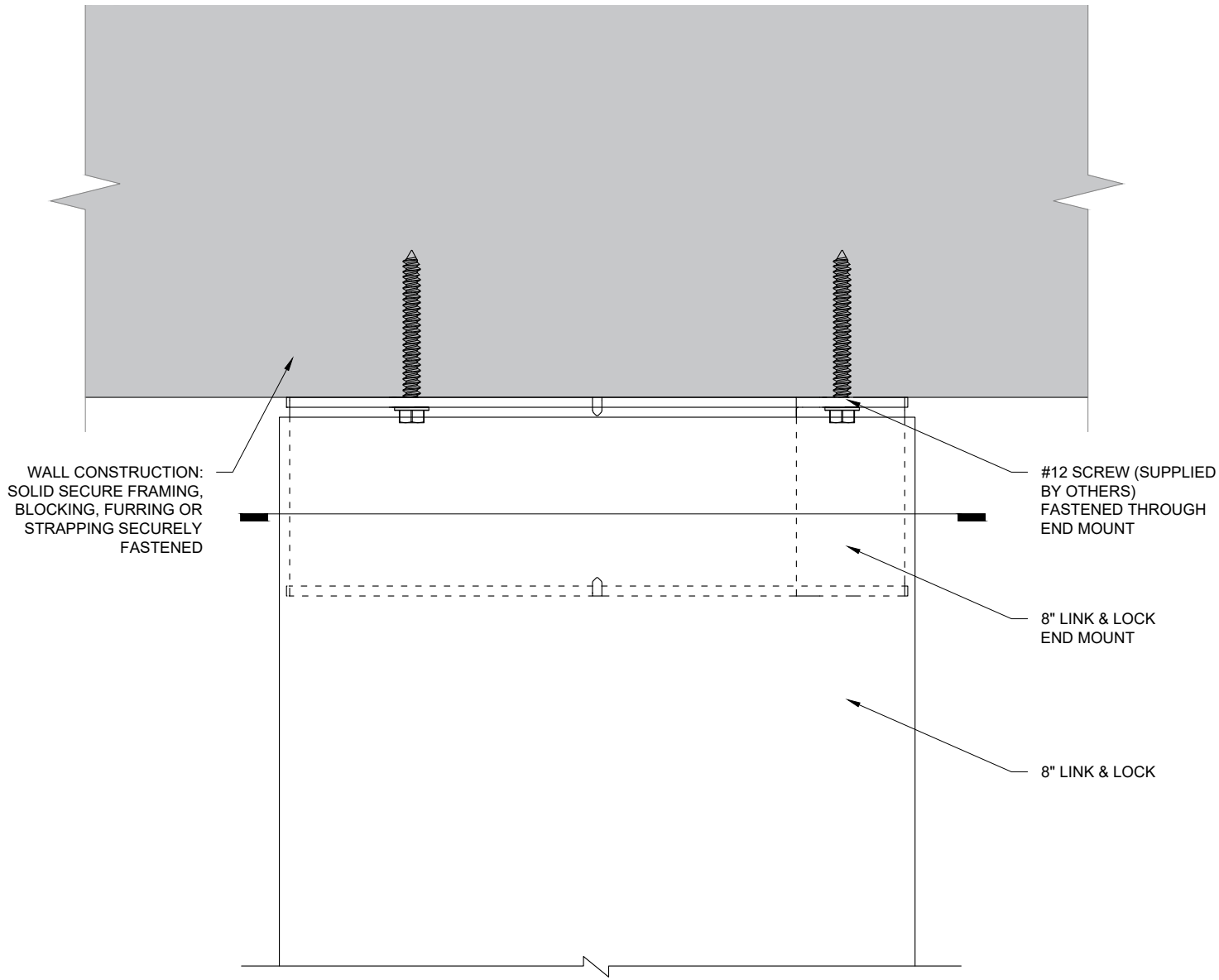
6" LINK & LOCK
END MOUNT

PLAN

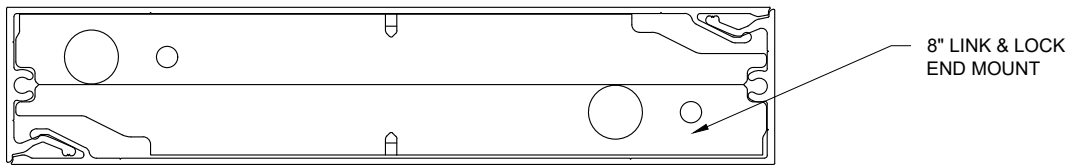
END MOUNT DETAIL
6" LINK & LOCK™
SCALE: 1:2



These drawings are published as an information guide only. These CAD drawings are intended as templates to assist the designer, they do not contain the full detail required for construction and must be read in conjunction with the installation instructions on www.longboardproducts.com. You should obtain architectural, engineering or other technical advice to assess the suitability of these drawings to the requirements of your particular project. Longboard Architectural Products accepts no liability in respect to the use of these drawings. For complete installation instructions refer to the appropriate documentation here www.longboardproducts.com/resources/technical-documentation/installation-guides



ELEVATION



PLAN

These drawings are published as an information guide only. These CAD drawings are intended as templates to assist the designer, they do not contain the full detail required for construction and must be read in conjunction with the installation instructions on www.longboardproducts.com. You should obtain architectural, engineering or other technical advice to assess the suitability of these drawings to the requirements of your particular project. Longboard Architectural Products accepts no liability in respect to the use of these drawings. For complete installation instructions refer to the appropriate documentation here www.longboardproducts.com/resources/technical-documentation/installation-guides

END MOUNT DETAIL
 8" LINK & LOCK™
 SCALE: 1:2



WALL CONSTRUCTION: SOLID SECURE FRAMING, BLOCKING, FURRING OR STRAPPING SECURELY FASTENED

#12 SCREW (SUPPLIED BY OTHERS) FASTENED THROUGH END MOUNT

LINK & LOCK END MOUNT *

LINK & LOCK *

ELEVATION - A

LINK & LOCK *

LINK & LOCK END MOUNT *



PLAN

* THIS APPLICATION COULD BE TYPICAL FOR ALL LINK & LOCK END MOUNTS.

These drawings are published as an information guide only. These CAD drawings are intended as templates to assist the designer, they do not contain the full detail required for construction and must be read in conjunction with the installation instructions on www.longboardproducts.com. You should obtain architectural, engineering or other technical advice to assess the suitability of these drawings to the requirements of your particular project. Longboard Architectural Products accepts no liability in respect to the use of these drawings. For complete installation instructions refer to the appropriate documentation here www.longboardproducts.com/resources/technical-documentation/installation-guides

END MOUNT FRONT DETAIL LINK & LOCK™

SCALE: 1:2



WALL CONSTRUCTION: SOLID SECURE FRAMING, BLOCKING, FURRING OR STRAPPING SECURELY FASTENED

#14 SCREW (SUPPLIED BY OTHERS) FASTENED THROUGH END MOUNT

4" LINK & LOCK HD END MOUNT

4" LINK & LOCK HD

ELEVATION

4" LINK & LOCK HD END MOUNT

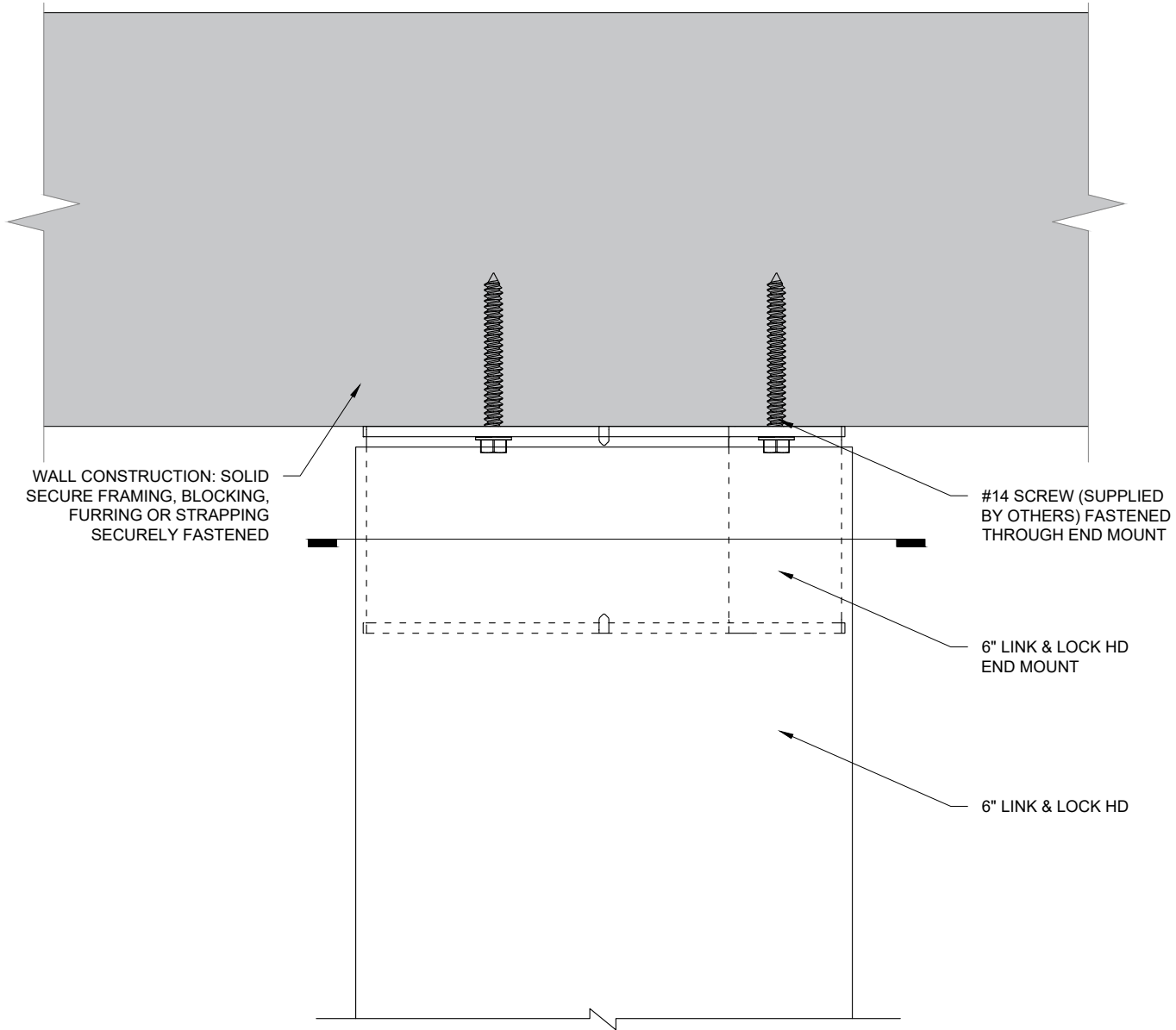
PLAN

END MOUNT DETAIL
4" LINK & LOCK™ HD

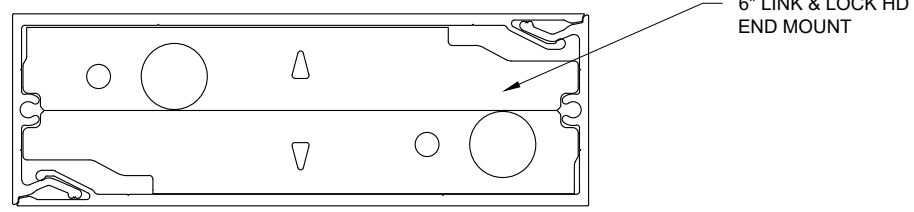
SCALE: 1:2



These drawings are published as an information guide only. These CAD drawings are intended as templates to assist the designer, they do not contain the full detail required for construction and must be read in conjunction with the installation instructions on www.longboardproducts.com. You should obtain architectural, engineering or other technical advice to assess the suitability of these drawings to the requirements of your particular project. Longboard Architectural Products accepts no liability in respect to the use of these drawings. For complete installation instructions refer to the appropriate documentation here www.longboardproducts.com/resources/technical-documentation/installation-guides



ELEVATION

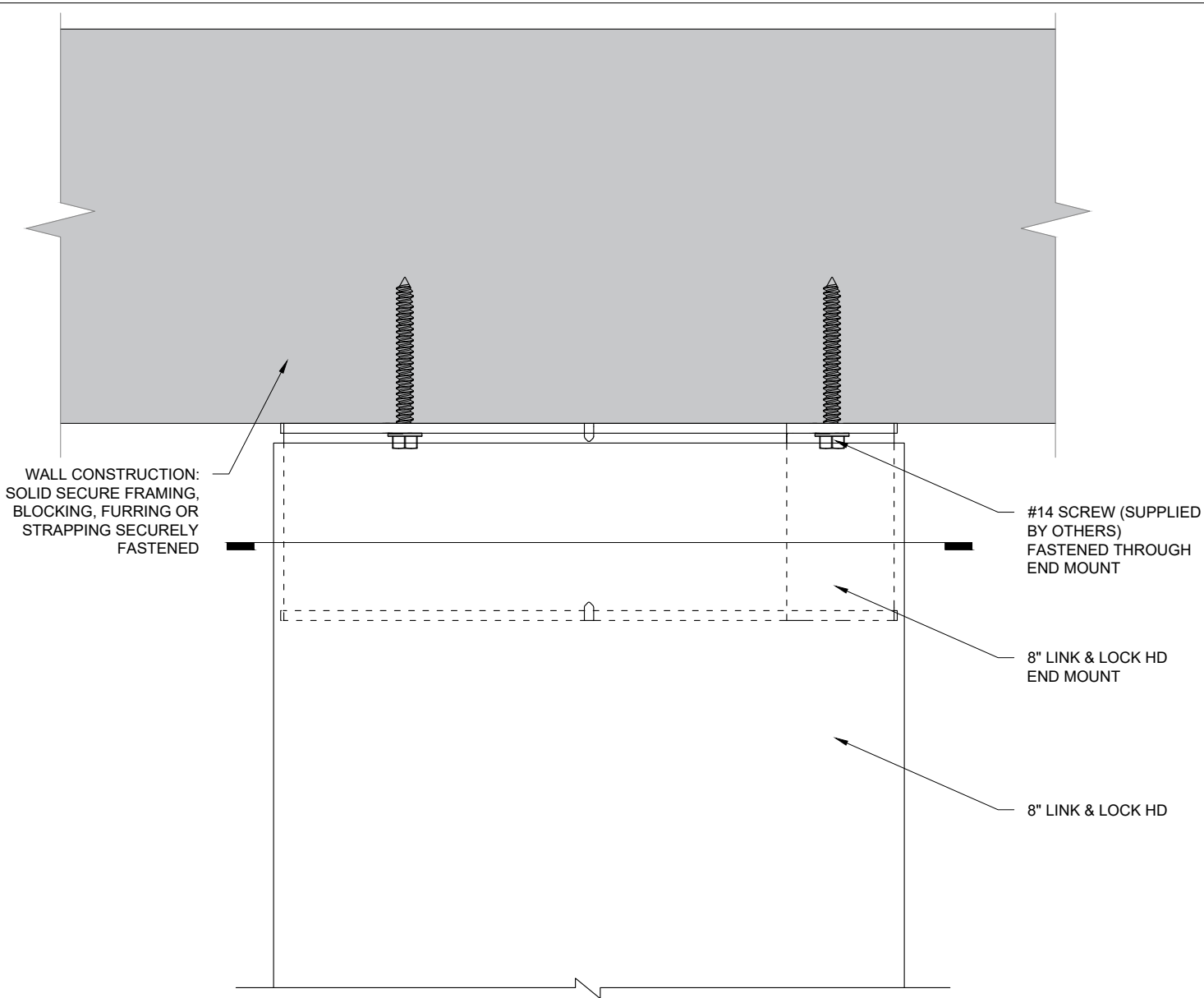


PLAN

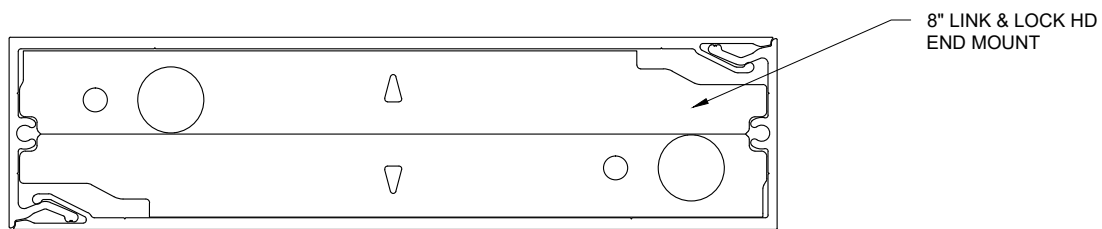
END MOUNT DETAIL
 6" LINK & LOCK™ HD
 SCALE: 1:2



These drawings are published as an information guide only. These CAD drawings are intended as templates to assist the designer, they do not contain the full detail required for construction and must be read in conjunction with the installation instructions on www.longboardproducts.com. You should obtain architectural, engineering or other technical advice to assess the suitability of these drawings to the requirements of your particular project. Longboard Architectural Products accepts no liability in respect to the use of these drawings. For complete installation instructions refer to the appropriate documentation here www.longboardproducts.com/resources/technical-documentation/installation-guides



ELEVATION



PLAN

These drawings are published as an information guide only. These CAD drawings are intended as templates to assist the designer, they do not contain the full detail required for construction and must be read in conjunction with the installation instructions on www.longboardproducts.com. You should obtain architectural, engineering or other technical advice to assess the suitability of these drawings to the requirements of your particular project. Longboard Architectural Products accepts no liability in respect to the use of these drawings. For complete installation instructions refer to the appropriate documentation here www.longboardproducts.com/resources/technical-documentation/installation-guides

END MOUNT DETAIL
 8" LINK & LOCK™ HD
 SCALE: 1:2



WALL CONSTRUCTION: SOLID SECURE FRAMING, BLOCKING, FURRING OR STRAPPING SECURELY FASTENED

#14 SCREW (SUPPLIED BY OTHERS) FASTENED THROUGH END MOUNT

LINK & LOCK HD END MOUNT *

LINK & LOCK HD *

ELEVATION - A

A

LINK & LOCK HD *

LINK & LOCK HD END MOUNT *

PLAN

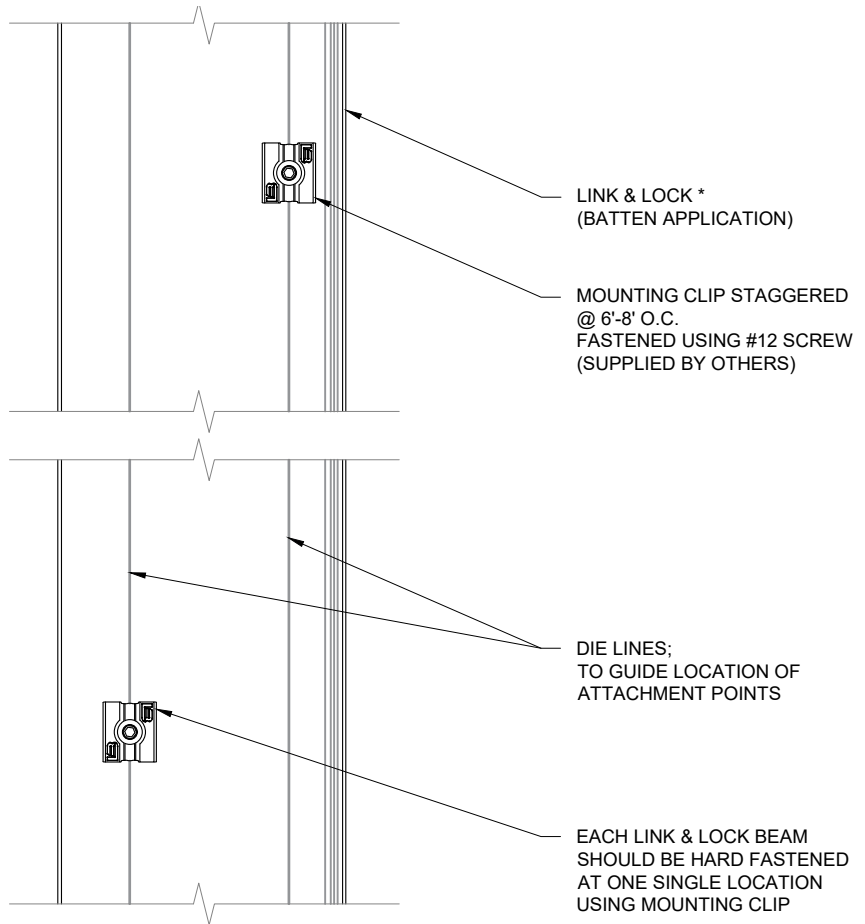
* THIS APPLICATION COULD BE TYPICAL FOR ALL LINK & LOCK HD END MOUNTS.

These drawings are published as an information guide only. These CAD drawings are intended as templates to assist the designer, they do not contain the full detail required for construction and must be read in conjunction with the installation instructions on www.longboardproducts.com. You should obtain architectural, engineering or other technical advice to assess the suitability of these drawings to the requirements of your particular project. Longboard Architectural Products accepts no liability in respect to the use of these drawings. For complete installation instructions refer to the appropriate documentation here www.longboardproducts.com/resources/technical-documentation/installation-guides

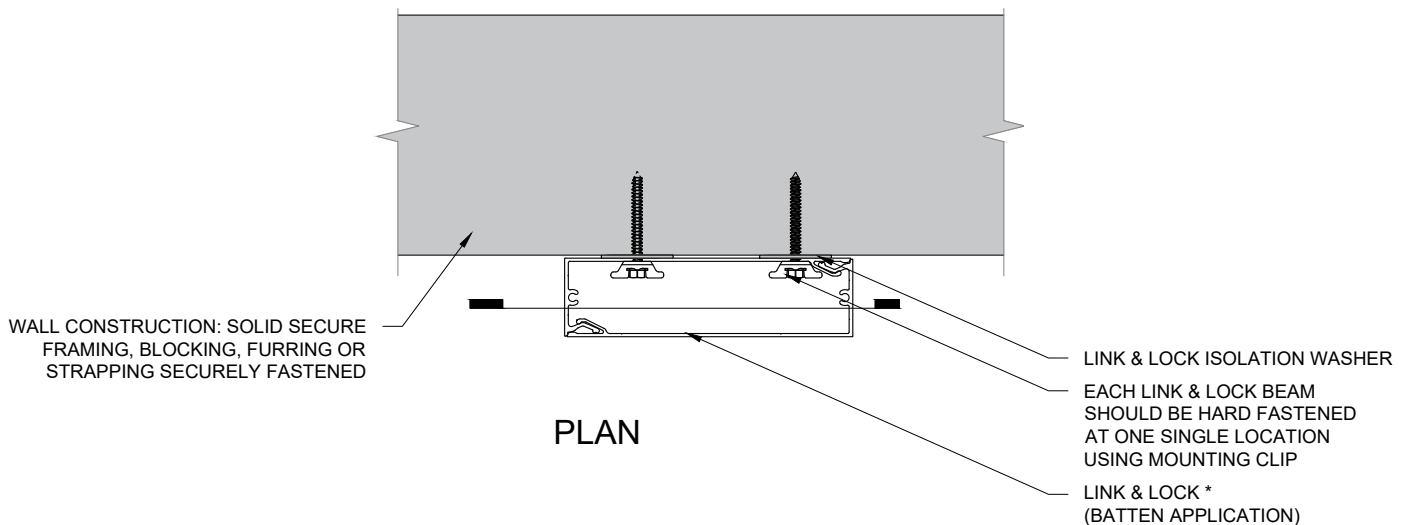
END MOUNT FRONT DETAIL LINK & LOCK™ HD

SCALE: 1:2





SECTION



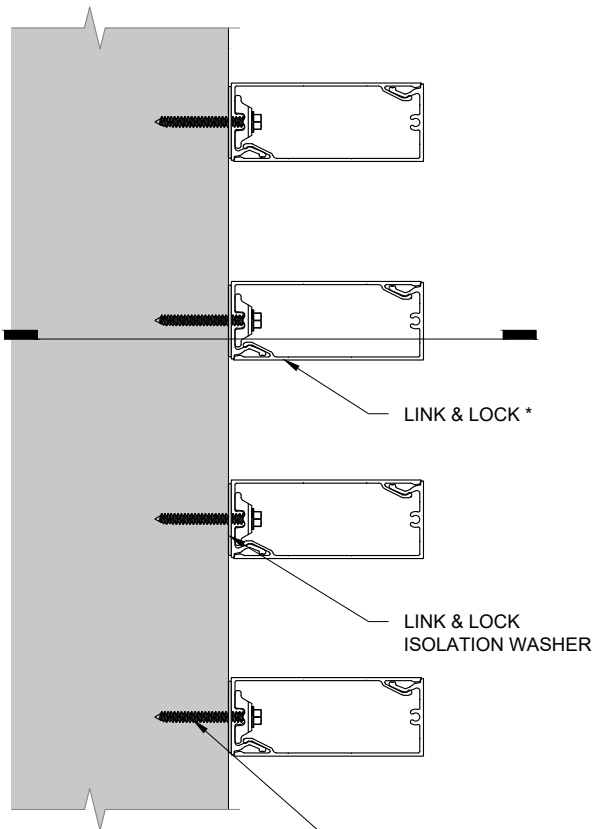
PLAN

* THIS APPLICATION COULD BE TYPICAL FOR ALL LINK & LOCK PROFILES.

These drawings are published as an information guide only. These CAD drawings are intended as templates to assist the designer, they do not contain the full detail required for construction and must be read in conjunction with the installation instructions on www.longboardproducts.com. You should obtain architectural, engineering or other technical advice to assess the suitability of these drawings to the requirements of your particular project. Longboard Architectural Products accepts no liability in respect to the use of these drawings. For complete installation instructions refer to the appropriate documentation here www.longboardproducts.com/resources/technical-documentation/installation-guides

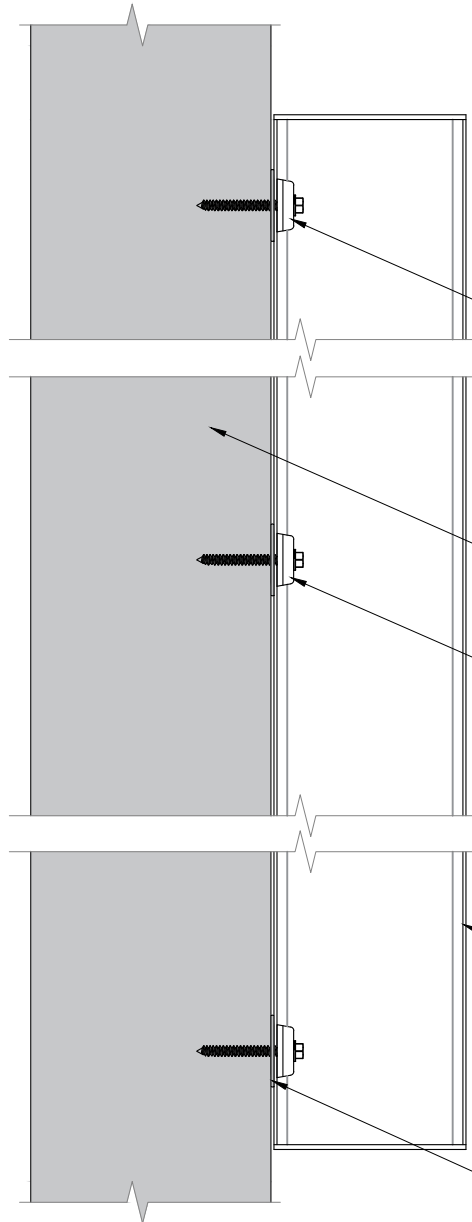
BATTEN APPLICATION
LINK & LOCK™
SCALE: 1:4





PLAN

FASTENERS SHOULD BE ANCHORED INTO A SOLID SECURE SUBSTRATE IN ACCORDING TO THE FASTENER SPACING LOAD TABLE.



SECTION

EACH LINK & LOCK BEAM SHOULD BE HARD FASTENED AT ONE SINGLE LOCATION USING MOUNTING CLIP

WALL CONSTRUCTION: SOLID SECURE FRAMING, BLOCKING, FURRING OR STRAPPING SECURELY FASTENED

MOUNTING CLIP @ 6'-8" O.C. FASTENED USING #12 SCREW (SUPPLIED BY OTHERS)

LINK & LOCK *

LINK & LOCK ISOLATION WASHER

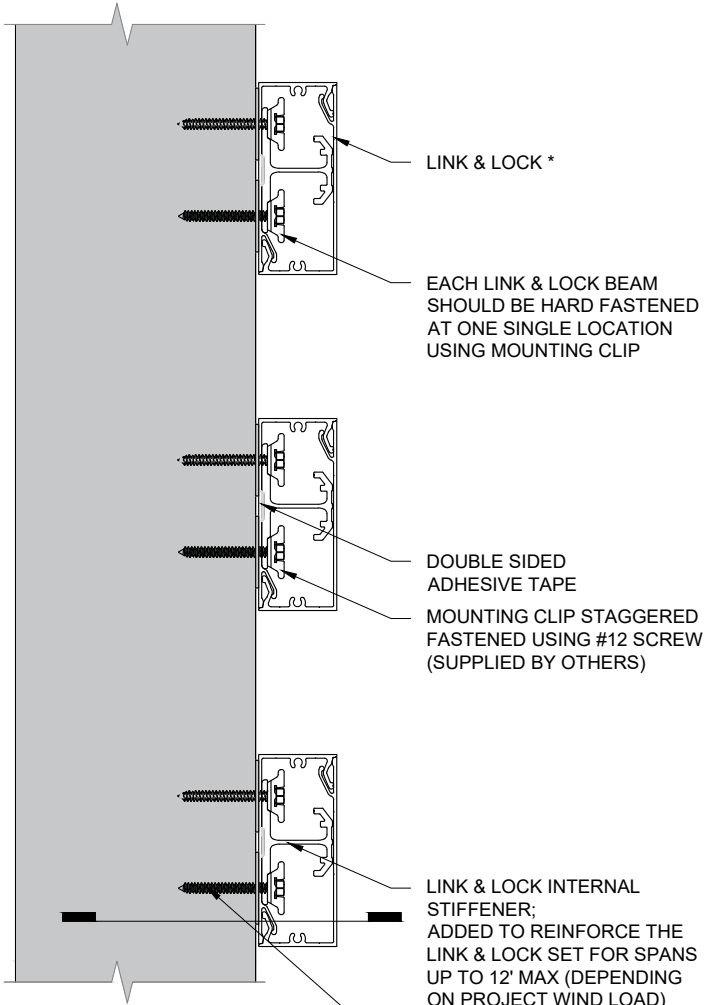
* THIS APPLICATION COULD BE TYPICAL FOR ALL LINK & LOCK PROFILES.

These drawings are published as an information guide only. These CAD drawings are intended as templates to assist the designer, they do not contain the full detail required for construction and must be read in conjunction with the installation instructions on www.longboardproducts.com. You should obtain architectural, engineering or other technical advice to assess the suitability of these drawings to the requirements of your particular project. Longboard Architectural Products accepts no liability in respect to the use of these drawings. For complete installation instructions refer to the appropriate documentation here www.longboardproducts.com/resources/technical-documentation/installation-guides

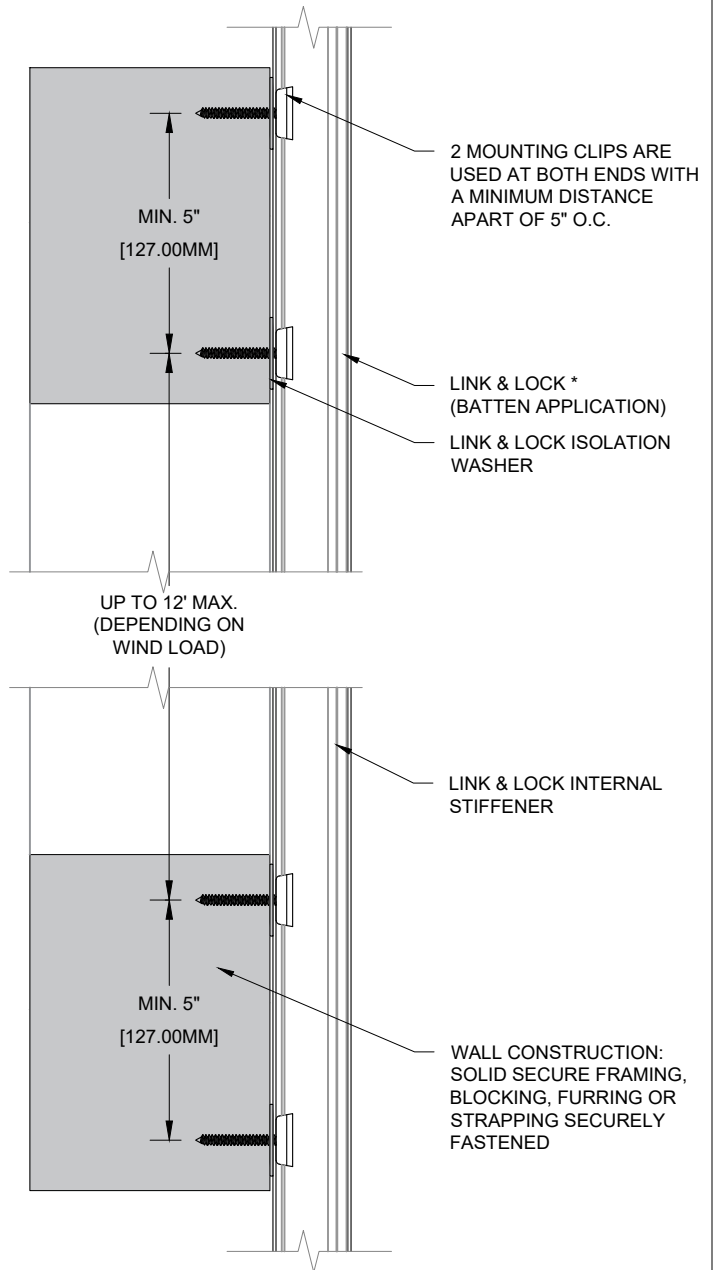
FIN APPLICATION LINK & LOCK™

SCALE: 1:4





PLAN



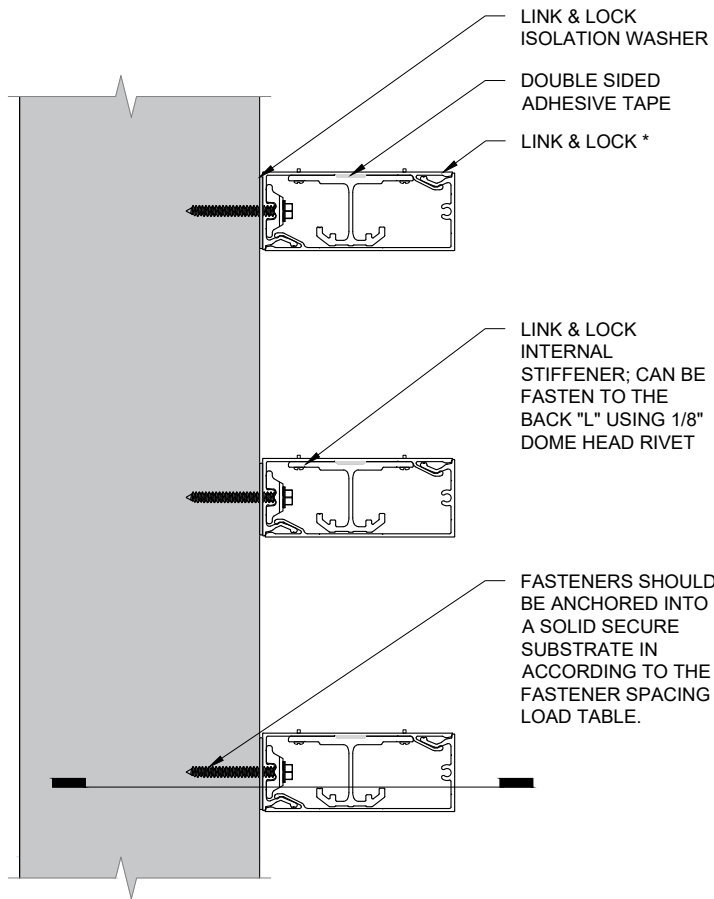
SECTION

* THIS APPLICATION COULD BE TYPICAL FOR ALL LINK & LOCK PROFILES.

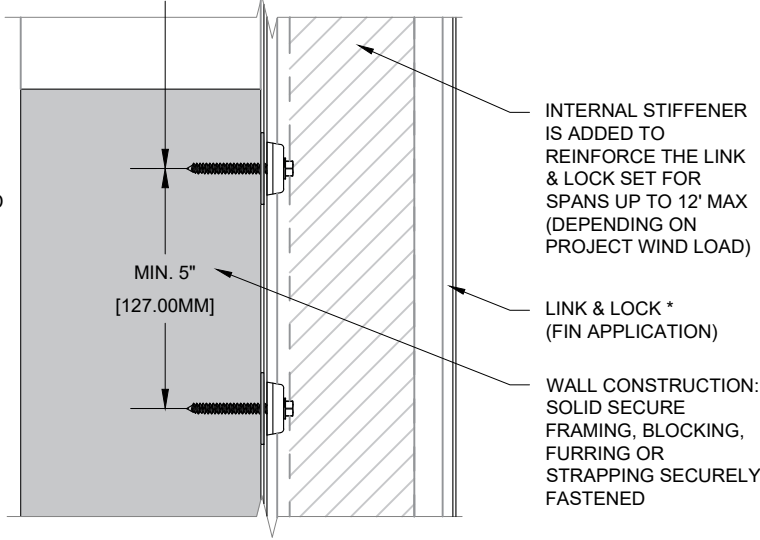
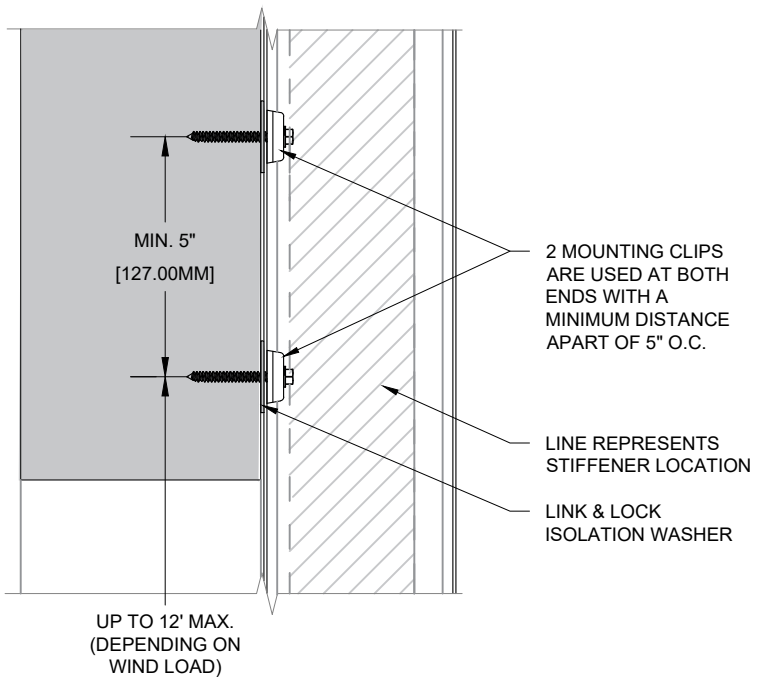
These drawings are published as an information guide only. These CAD drawings are intended as templates to assist the designer, they do not contain the full detail required for construction and must be read in conjunction with the installation instructions on www.longboardproducts.com. You should obtain architectural, engineering or other technical advice to assess the suitability of these drawings to the requirements of your particular project. Longboard Architectural Products accepts no liability in respect to the use of these drawings. For complete installation instructions refer to the appropriate documentation here www.longboardproducts.com/resources/technical-documentation/installation-guides

BATTEN APPLICATION WITH STIFFENER
LINK & LOCK™
SCALE: 1:4





PLAN



SECTION

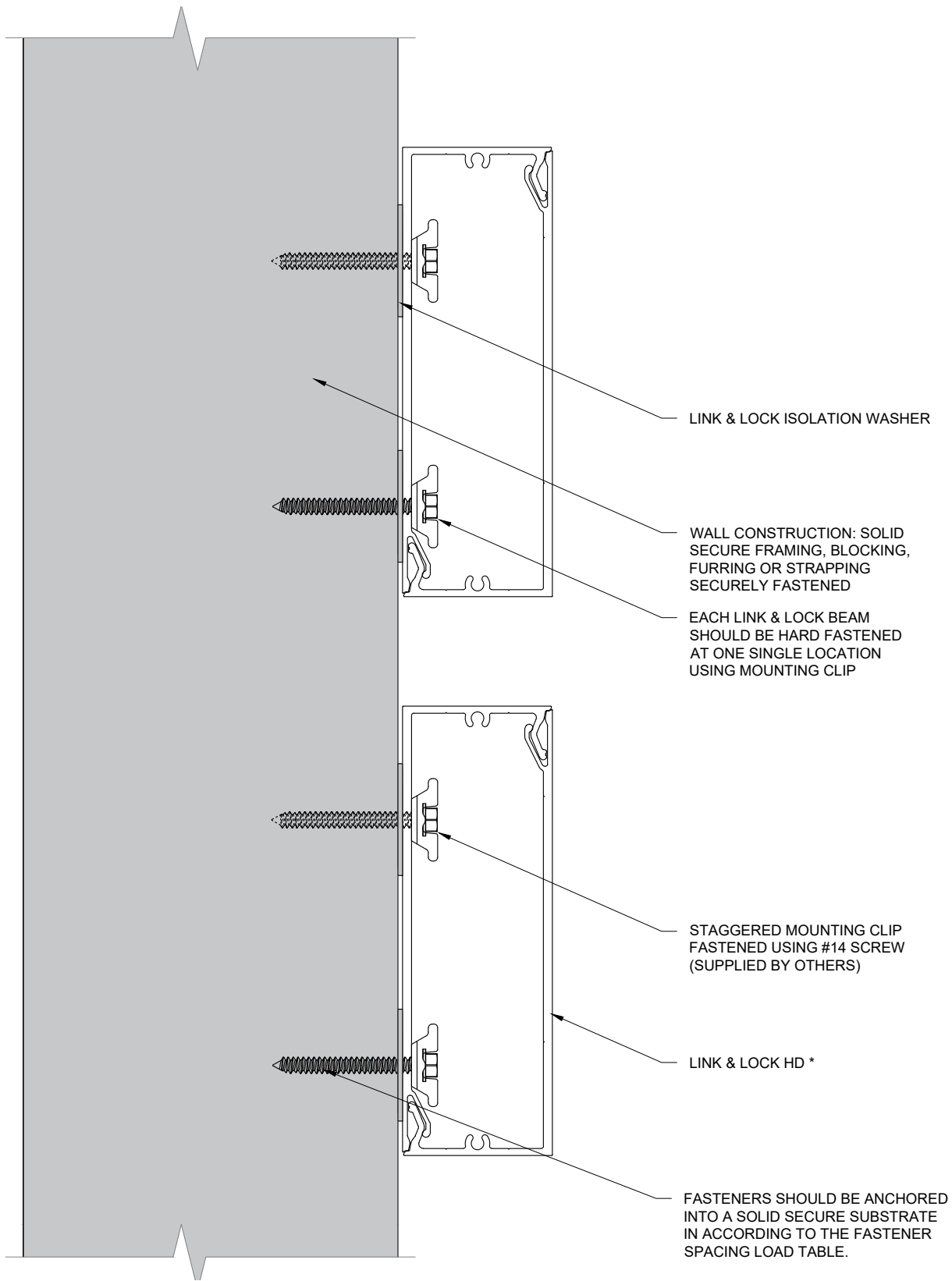
* THIS APPLICATION COULD BE TYPICAL FOR ALL LINK & LOCK PROFILES.

These drawings are published as an information guide only. These CAD drawings are intended as templates to assist the designer, they do not contain the full detail required for construction and must be read in conjunction with the installation instructions on www.longboardproducts.com. You should obtain architectural, engineering or other technical advice to assess the suitability of these drawings to the requirements of your particular project. Longboard Architectural Products accepts no liability in respect to the use of these drawings. For complete installation instructions refer to the appropriate documentation here www.longboardproducts.com/resources/technical-documentation/installation-guides

FIN APPLICATION WITH STIFFENER
LINK & LOCK™

SCALE: 1:4





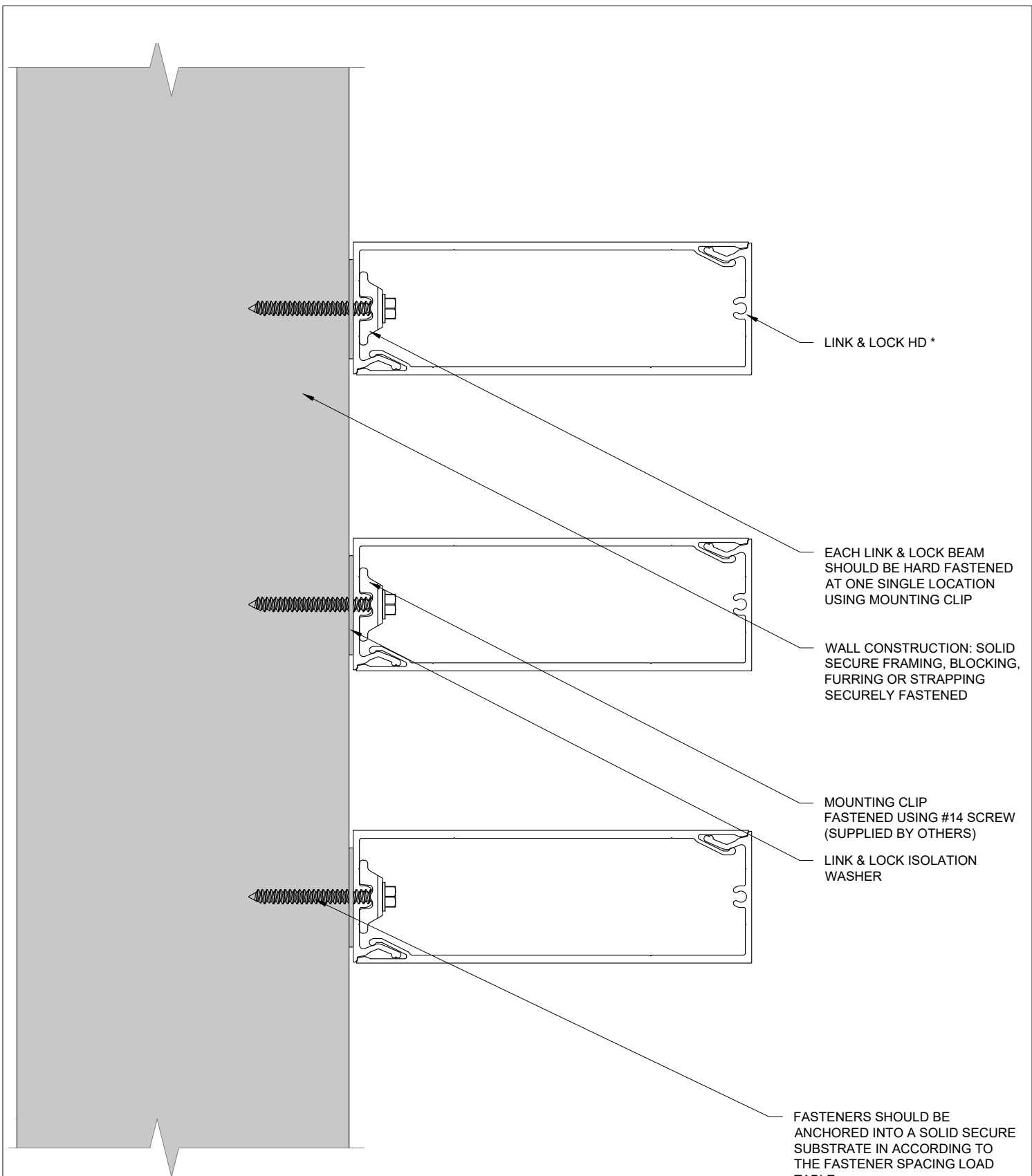
* THIS APPLICATION COULD BE TYPICAL FOR ALL LINK & LOCK HD PROFILES.

These drawings are published as an information guide only. These CAD drawings are intended as templates to assist the designer, they do not contain the full detail required for construction and must be read in conjunction with the installation instructions on www.longboardproducts.com. You should obtain architectural, engineering or other technical advice to assess the suitability of these drawings to the requirements of your particular project. Longboard Architectural Products accepts no liability in respect to the use of these drawings. For complete installation instructions refer to the appropriate documentation here www.longboardproducts.com/resources/technical-documentation/installation-guides

BATTEN APPLICATION LINK & LOCK™ HD

SCALE: 1:2





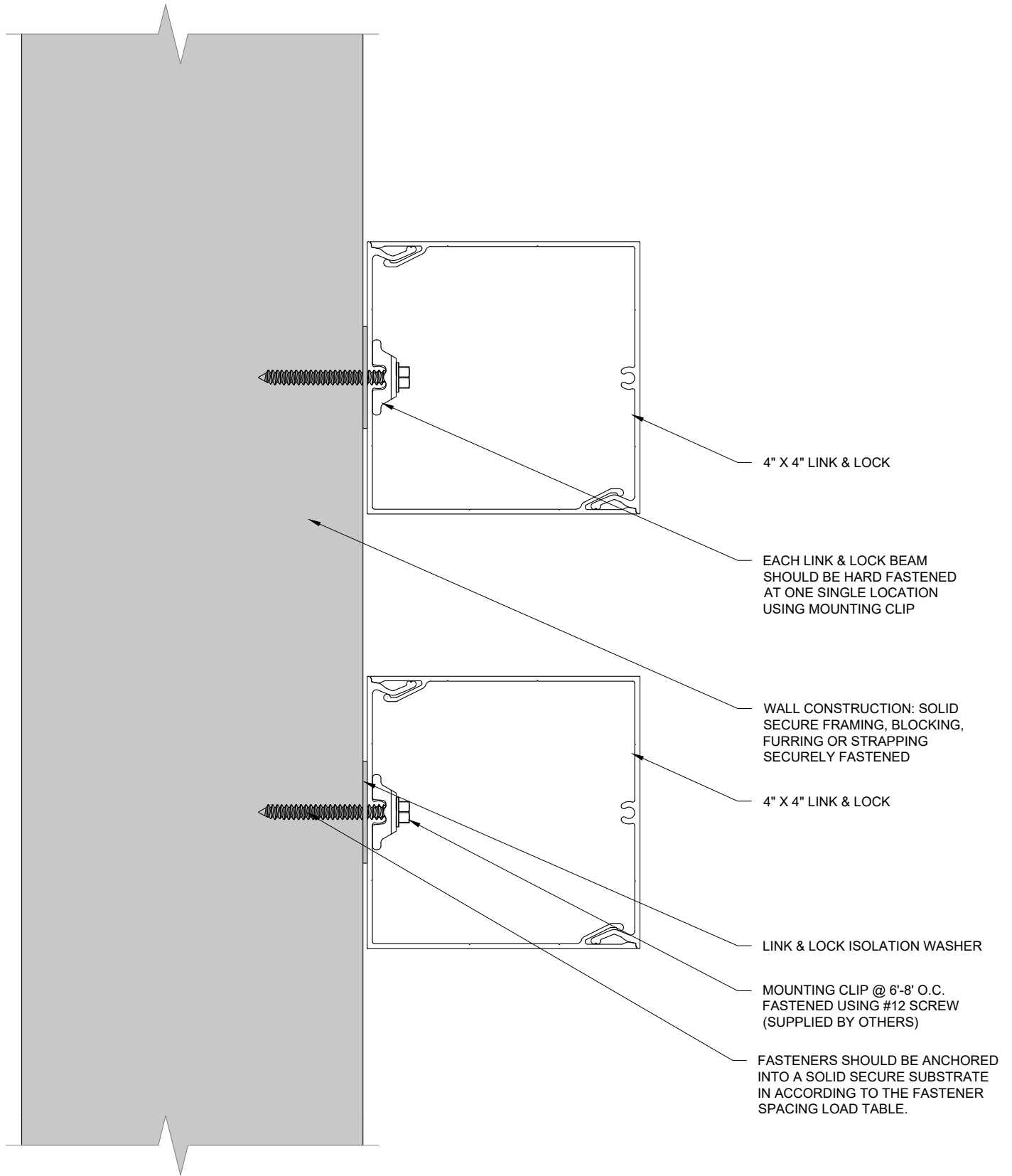
* THIS APPLICATION COULD BE TYPICAL FOR ALL LINK & LOCK HD PROFILES.

These drawings are published as an information guide only. These CAD drawings are intended as templates to assist the designer, they do not contain the full detail required for construction and must be read in conjunction with the installation instructions on www.longboardproducts.com. You should obtain architectural, engineering or other technical advice to assess the suitability of these drawings to the requirements of your particular project. Longboard Architectural Products accepts no liability in respect to the use of these drawings. For complete installation instructions refer to the appropriate documentation here www.longboardproducts.com/resources/technical-documentation/installation-guides

FIN APPLICATION LINK & LOCK™ HD

SCALE: 1:2



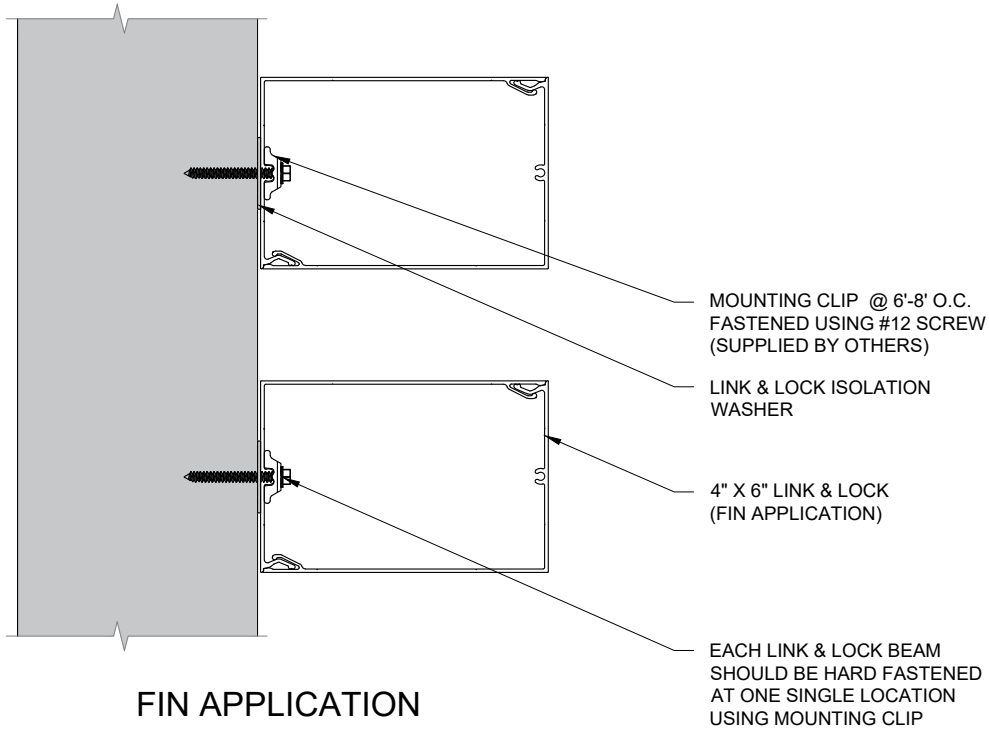


These drawings are published as an information guide only. These CAD drawings are intended as templates to assist the designer, they do not contain the full detail required for construction and must be read in conjunction with the installation instructions on www.longboardproducts.com. You should obtain architectural, engineering or other technical advice to assess the suitability of these drawings to the requirements of your particular project. Longboard Architectural Products accepts no liability in respect to the use of these drawings. For complete installation instructions refer to the appropriate documentation here www.longboardproducts.com/resources/technical-documentation/installation-guides

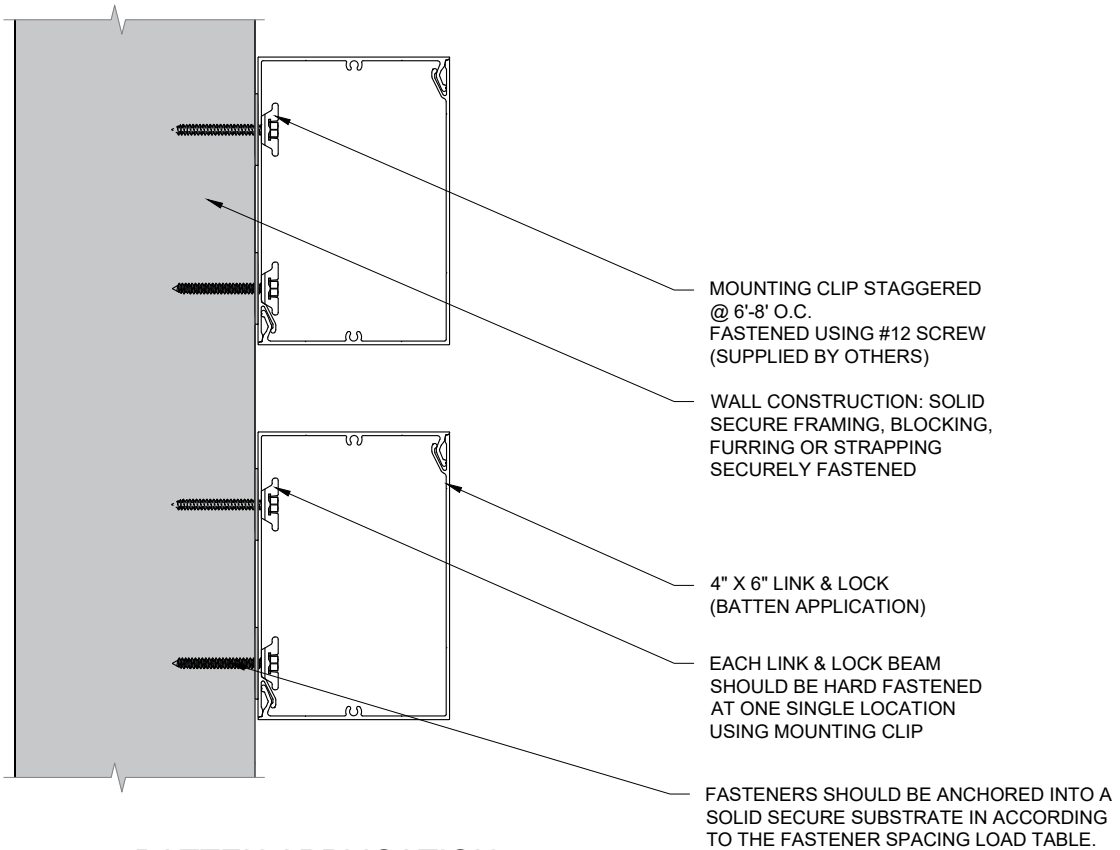
4" X 4" LINK & LOCK™ ATTACHMENT DETAIL

SCALE: 1:2





FIN APPLICATION



BATTEN APPLICATION

These drawings are published as an information guide only. These CAD drawings are intended as templates to assist the designer, they do not contain the full detail required for construction and must be read in conjunction with the installation instructions on www.longboardproducts.com. You should obtain architectural, engineering or other technical advice to assess the suitability of these drawings to the requirements of your particular project. Longboard Architectural Products accepts no liability in respect to the use of these drawings. For complete installation instructions refer to the appropriate documentation here www.longboardproducts.com/resources/technical-documentation/installation-guides

4" X 6" LINK & LOCK™ ATTACHMENT DETAIL

SCALE: 1:4



WALL CONSTRUCTION: SOLID
SECURE FRAMING, BLOCKING,
FURRING OR STRAPPING
SECURELY FASTENED

LINK & LOCK ISOLATION
WASHER

LINK & LOCK END CAP
SPACE BETWEEN LINK & LOCK
TO ALLOW FOR EXPANSION &
CONTRACTION

LINK & LOCK *
(BATTEN APPLICATION)

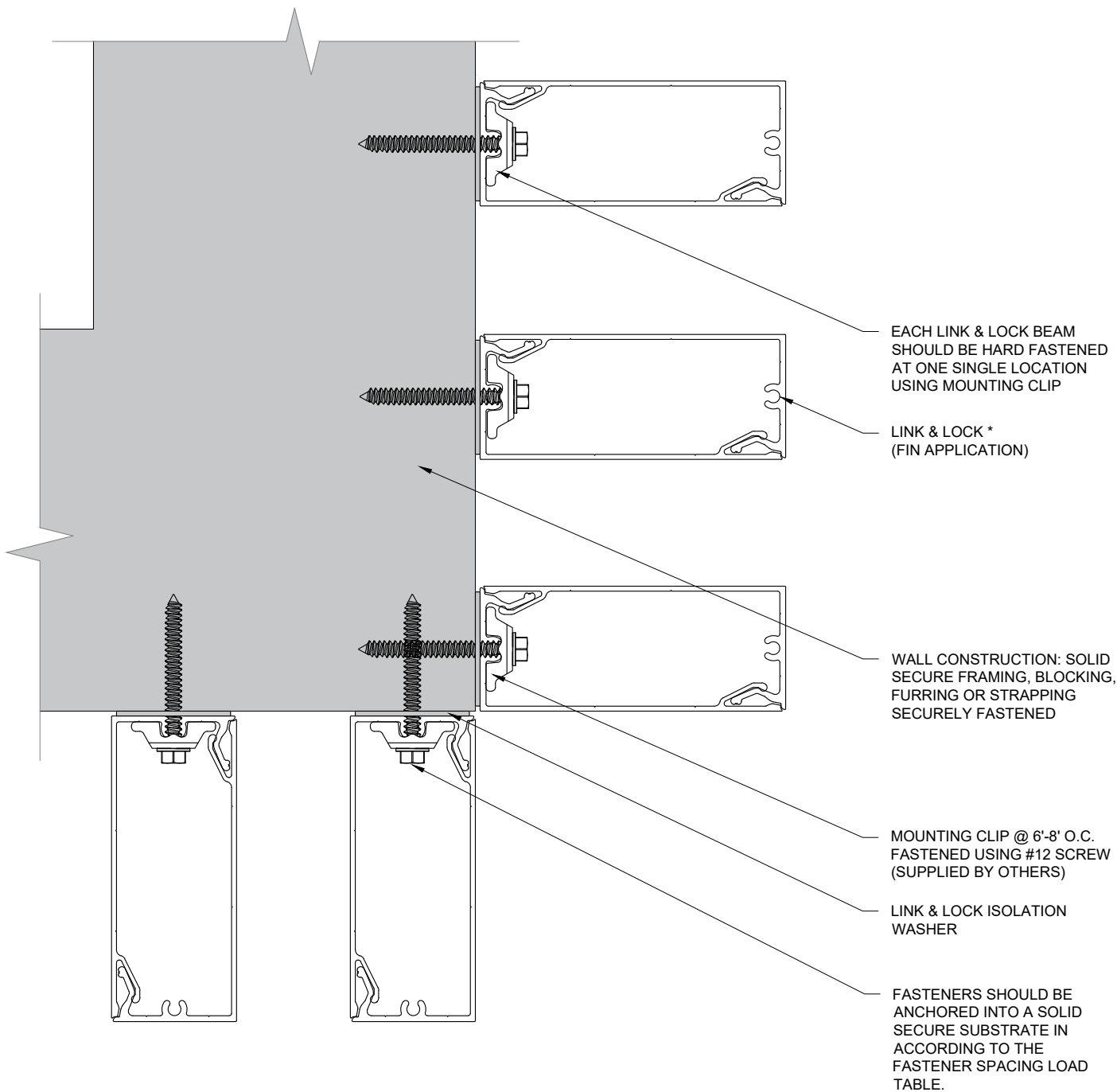
* THIS APPLICATION COULD BE TYPICAL FOR ALL LINK & LOCK PROFILES.

These drawings are published as an information guide only. These CAD drawings are intended as templates to assist the designer, they do not contain the full detail required for construction and must be read in conjunction with the installation instructions on www.longboardproducts.com. You should obtain architectural, engineering or other technical advice to assess the suitability of these drawings to the requirements of your particular project. Longboard Architectural Products accepts no liability in respect to the use of these drawings. For complete installation instructions refer to the appropriate documentation here www.longboardproducts.com/resources/technical-documentation/installation-guides

CORNER DETAIL - BATTEN APPLICATION LINK & LOCK™

SCALE: 1:1





* THIS APPLICATION COULD BE TYPICAL FOR ALL LINK & LOCK PROFILES.

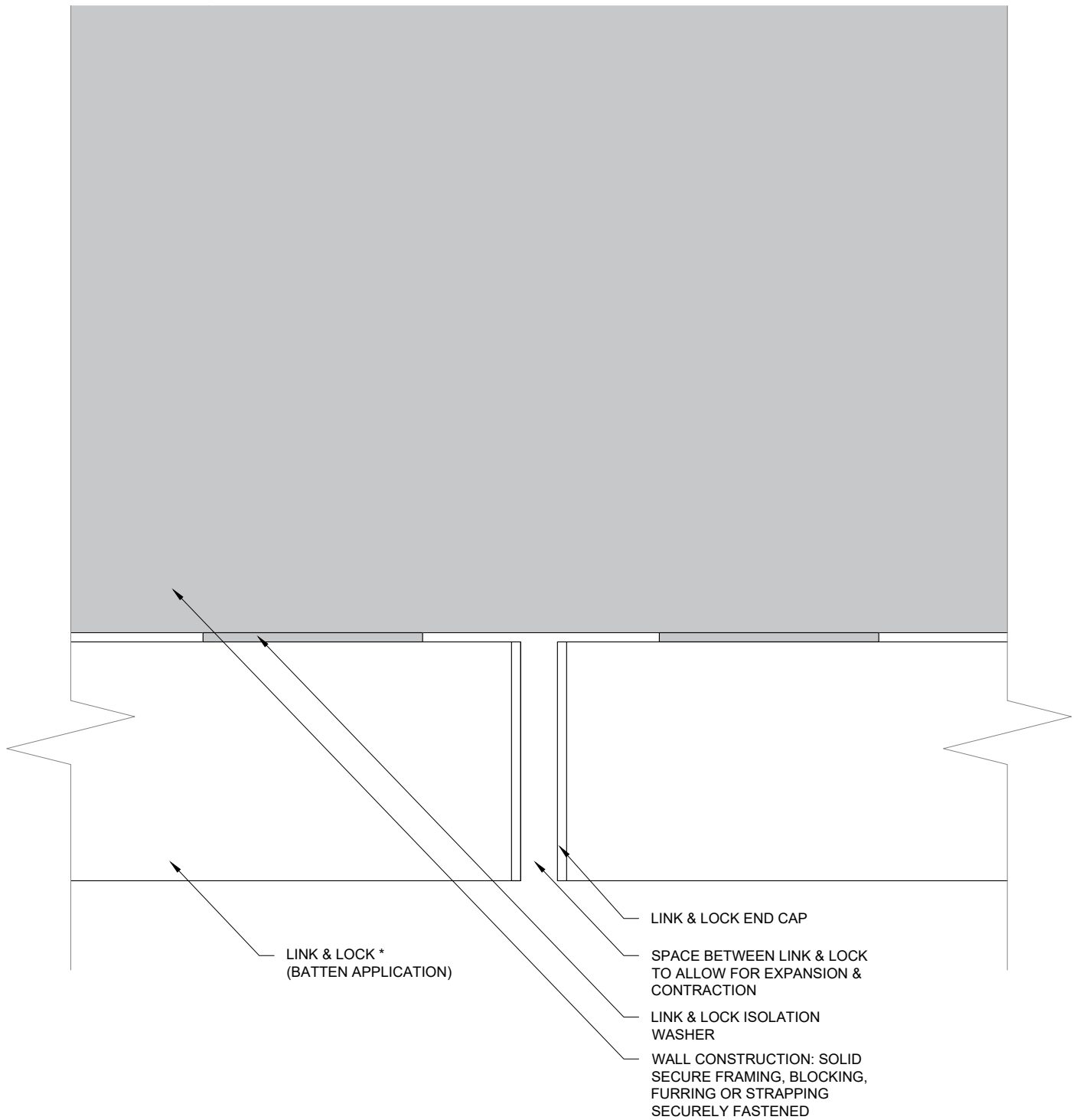
These drawings are published as an information guide only. These CAD drawings are intended as templates to assist the designer, they do not contain the full detail required for construction and must be read in conjunction with the installation instructions on www.longboardproducts.com. You should obtain architectural, engineering or other technical advice to assess the suitability of these drawings to the requirements of your particular project. Longboard Architectural Products accepts no liability in respect to the use of these drawings. For complete installation instructions refer to the appropriate documentation here www.longboardproducts.com/resources/technical-documentation/installation-guides

CORNER DETAIL - FIN APPLICATION

LINK & LOCK™

SCALE: 1:2





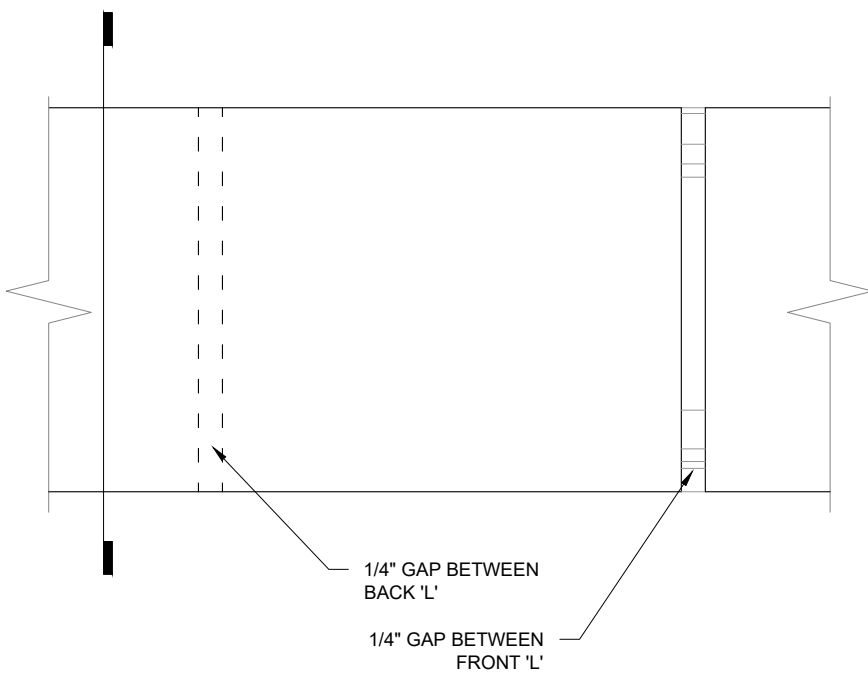
* THIS APPLICATION COULD BE TYPICAL FOR ALL LINK & LOCK PROFILES.

These drawings are published as an information guide only. These CAD drawings are intended as templates to assist the designer, they do not contain the full detail required for construction and must be read in conjunction with the installation instructions on www.longboardproducts.com. You should obtain architectural, engineering or other technical advice to assess the suitability of these drawings to the requirements of your particular project. Longboard Architectural Products accepts no liability in respect to the use of these drawings. For complete installation instructions refer to the appropriate documentation here www.longboardproducts.com/resources/technical-documentation/installation-guides

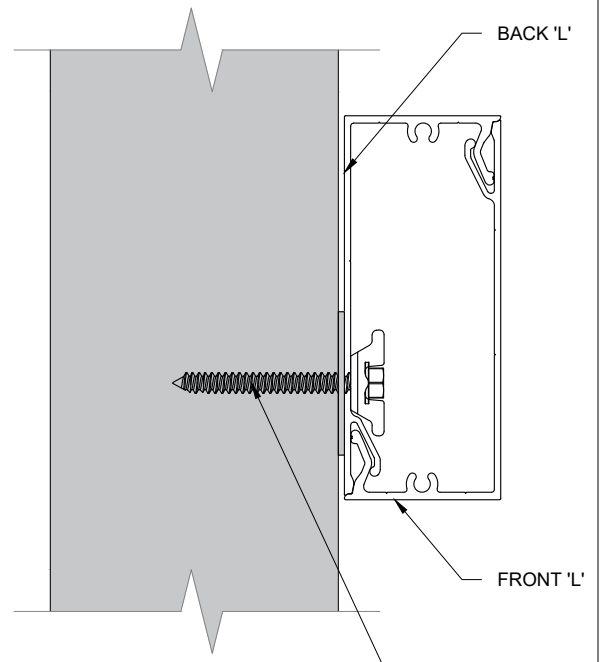
BUTT-JOINT DETAIL LINK & LOCK™

SCALE: 1:1



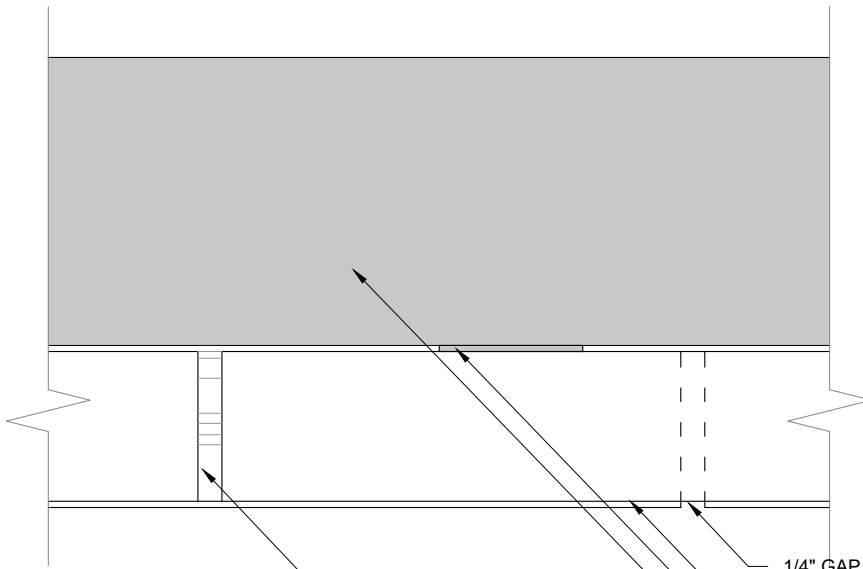


ELEVATION



SECTION

FASTENERS SHOULD BE ANCHORED INTO A SOLID SECURE SUBSTRATE IN ACCORDING TO THE FASTENER SPACING LOAD TABLE.



PLAN

- 1/4" GAP BETWEEN FRONT 'L'
- LINK & LOCK * (BATTEN APPLICATION)
- LINK & LOCK ISOLATION WASHER
- WALL CONSTRUCTION: SOLID SECURE FRAMING, BLOCKING, FURRING OR STRAPPING SECURELY FASTENED

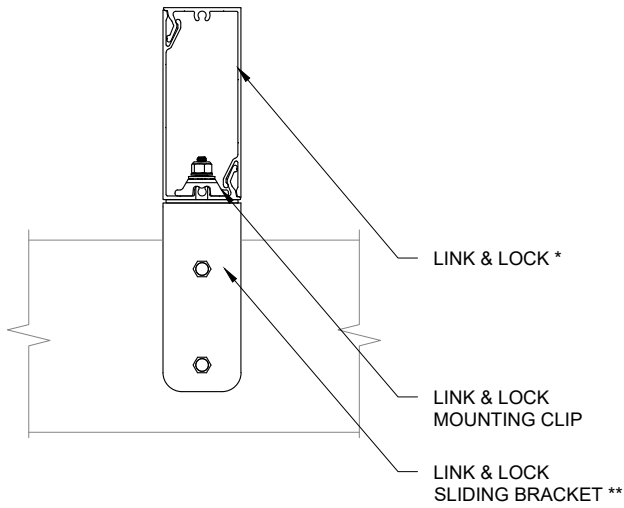
* THIS APPLICATION COULD BE TYPICAL FOR ALL LINK & LOCK PROFILES.

These drawings are published as an information guide only. These CAD drawings are intended as templates to assist the designer, they do not contain the full detail required for construction and must be read in conjunction with the installation instructions on www.longboardproducts.com. You should obtain architectural, engineering or other technical advice to assess the suitability of these drawings to the requirements of your particular project. Longboard Architectural Products accepts no liability in respect to the use of these drawings. For complete installation instructions refer to the appropriate documentation here www.longboardproducts.com/resources/technical-documentation/installation-guides

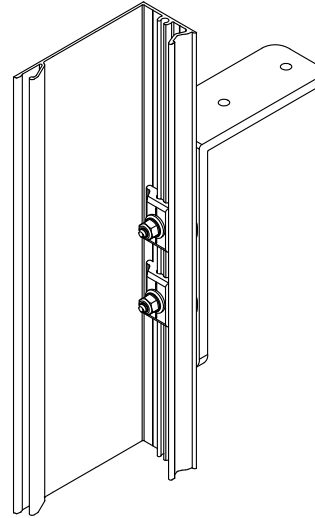
LAP-JOINT DETAIL
LINK & LOCK™

SCALE: 1:2

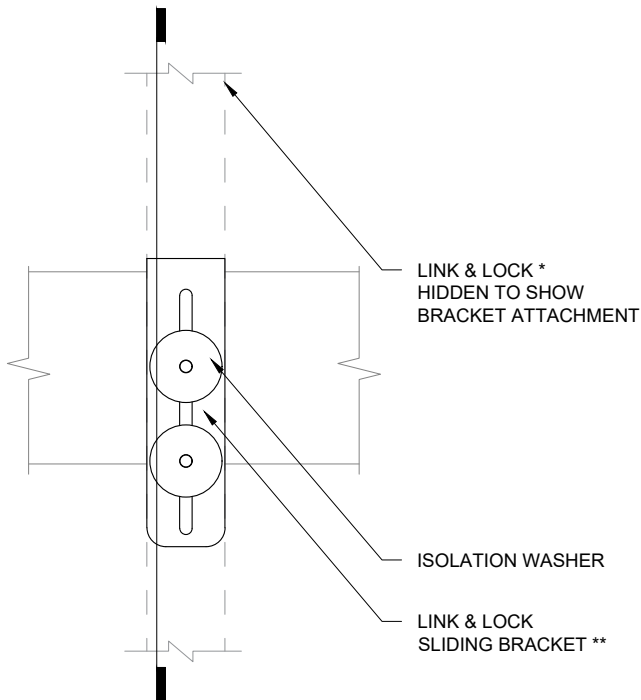




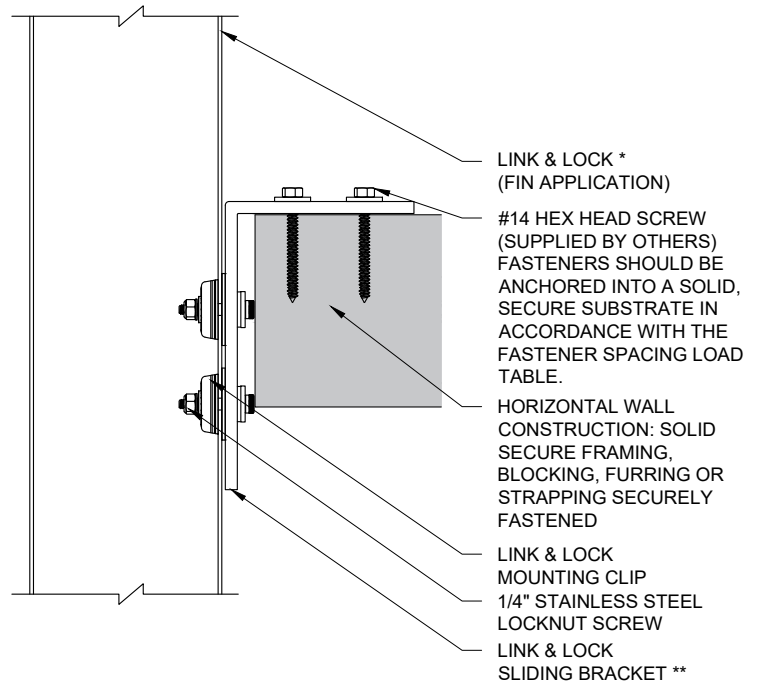
PLAN



ISOMETRIC VIEW



ELEVATION



SECTION

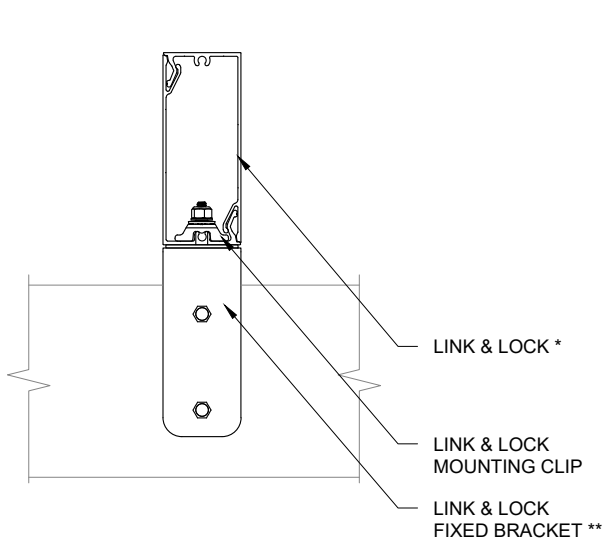
** THIS APPLICATION COULD BE TYPICAL FOR ALL LINK & LOCK SLIDING BRACKETS.
 * THIS APPLICATION COULD BE TYPICAL FOR ALL LINK & LOCK PROFILES.

These drawings are published as an information guide only. These CAD drawings are intended as templates to assist the designer, they do not contain the full detail required for construction and must be read in conjunction with the installation instructions on www.longboardproducts.com. You should obtain architectural, engineering or other technical advice to assess the suitability of these drawings to the requirements of your particular project. Longboard Architectural Products accepts no liability in respect to the use of these drawings. For complete installation instructions refer to the appropriate documentation here www.longboardproducts.com/resources/technical-documentation/installation-guides

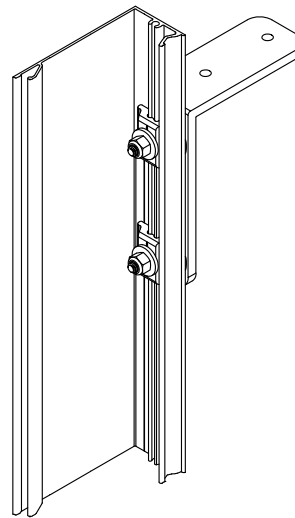
LINK & LOCK™ BRACKET 90° CENTER SLIDING ATTACHMENT

SCALE 1:4

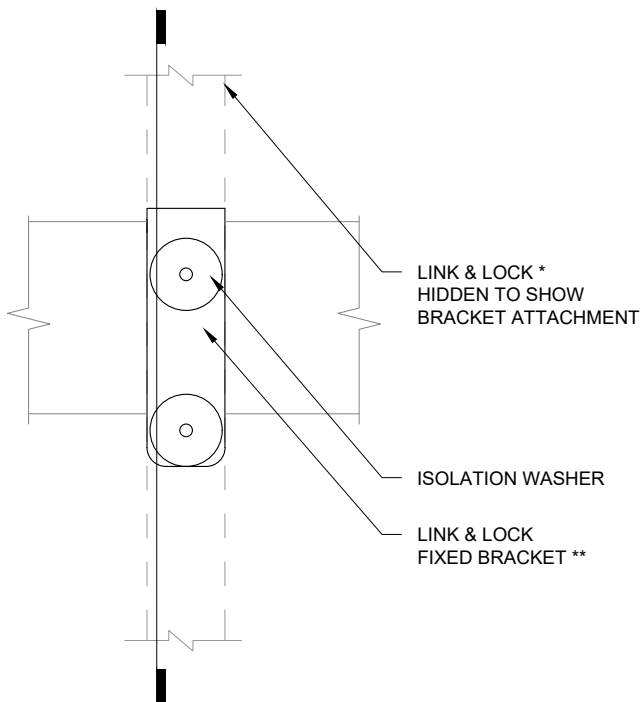




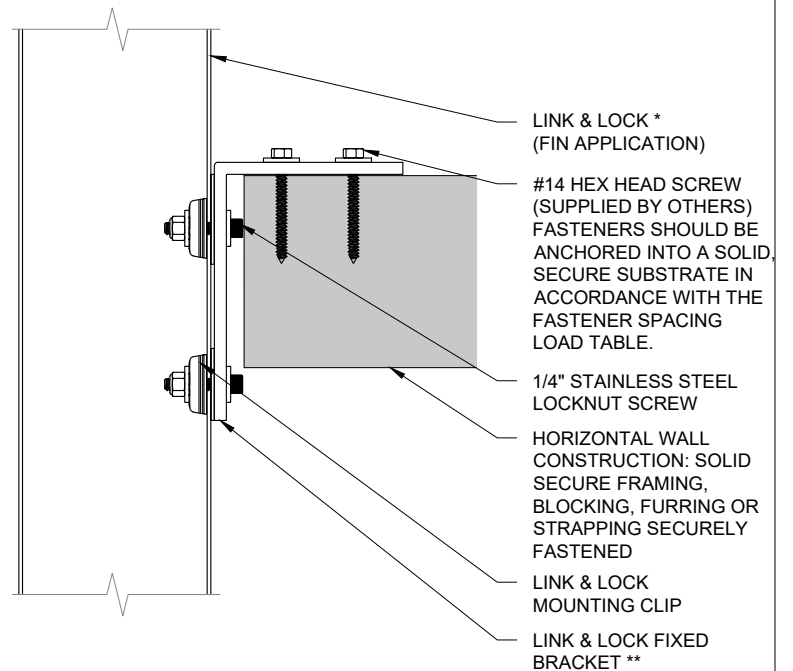
PLAN



ISOMETRIC VIEW



ELEVATION



SECTION

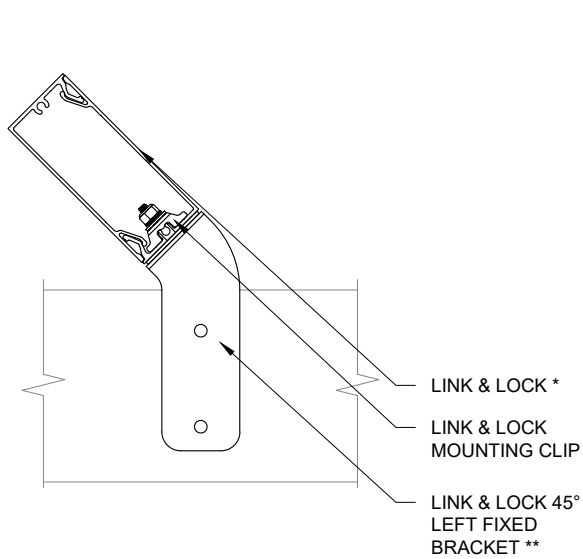
** THIS APPLICATION COULD BE TYPICAL FOR ALL LINK & LOCK FIXED BRACKETS.
 * THIS APPLICATION COULD BE TYPICAL FOR ALL LINK & LOCK PROFILES.

These drawings are published as an information guide only. These CAD drawings are intended as templates to assist the designer, they do not contain the full detail required for construction and must be read in conjunction with the installation instructions on www.longboardproducts.com. You should obtain architectural, engineering or other technical advice to assess the suitability of these drawings to the requirements of your particular project. Longboard Architectural Products accepts no liability in respect to the use of these drawings. For complete installation instructions refer to the appropriate documentation here www.longboardproducts.com/resources/technical-documentation/installation-guides

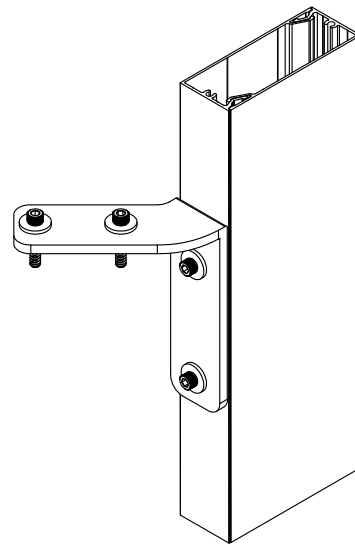
LINK & LOCK™ BRACKET 90° CENTER FIXED ATTACHMENT

SCALE 1:4

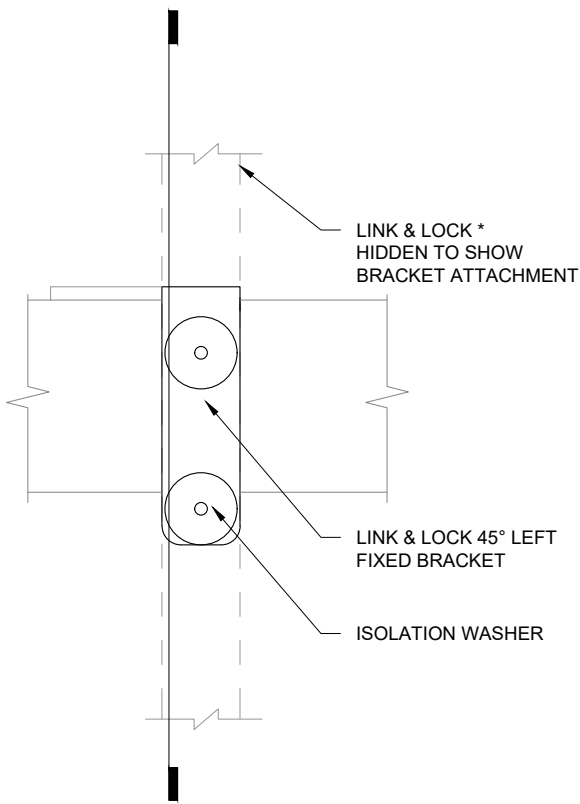




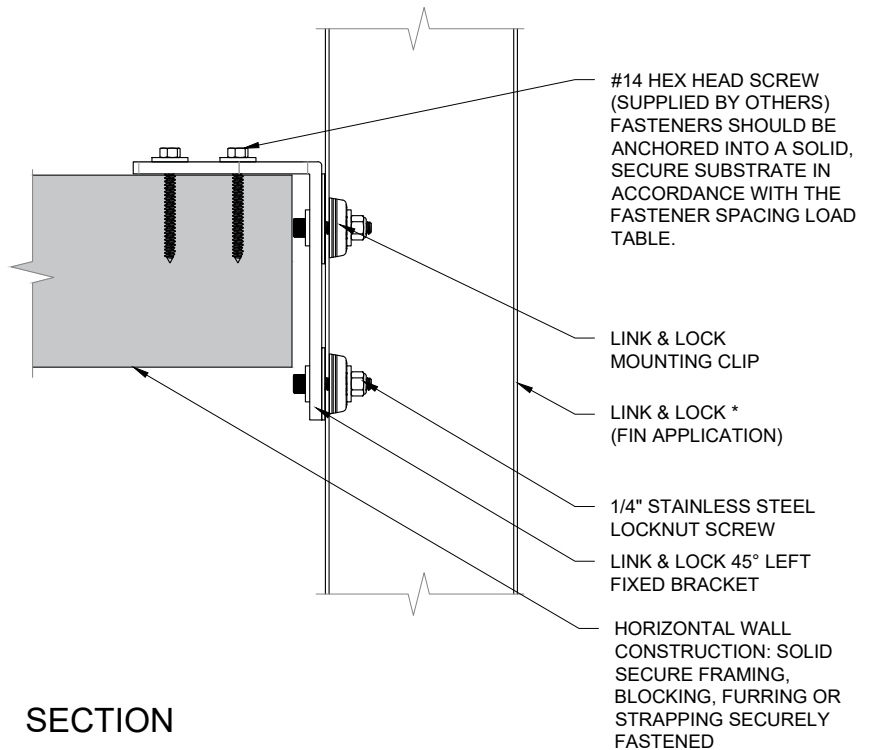
PLAN



ISOMETRIC VIEW



ELEVATION



SECTION

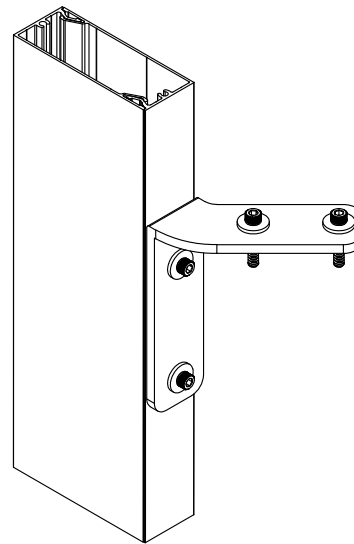
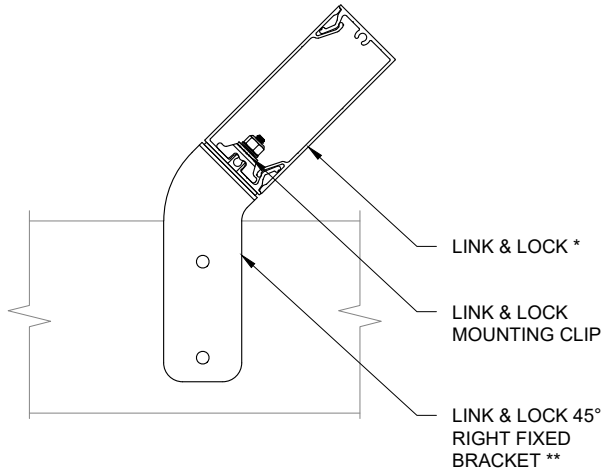
** THIS APPLICATION COULD BE TYPICAL FOR ALL LINK & LOCK FIXED BRACKETS.
 * THIS APPLICATION COULD BE TYPICAL FOR ALL LINK & LOCK PROFILES.

These drawings are published as an information guide only. These CAD drawings are intended as templates to assist the designer, they do not contain the full detail required for construction and must be read in conjunction with the installation instructions on www.longboardproducts.com. You should obtain architectural, engineering or other technical advice to assess the suitability of these drawings to the requirements of your particular project. Longboard Architectural Products accepts no liability in respect to the use of these drawings. For complete installation instructions refer to the appropriate documentation here www.longboardproducts.com/resources/technical-documentation/installation-guides

LINK & LOCK™ BRACKET 45° LEFT FIXED ATTACHMENT

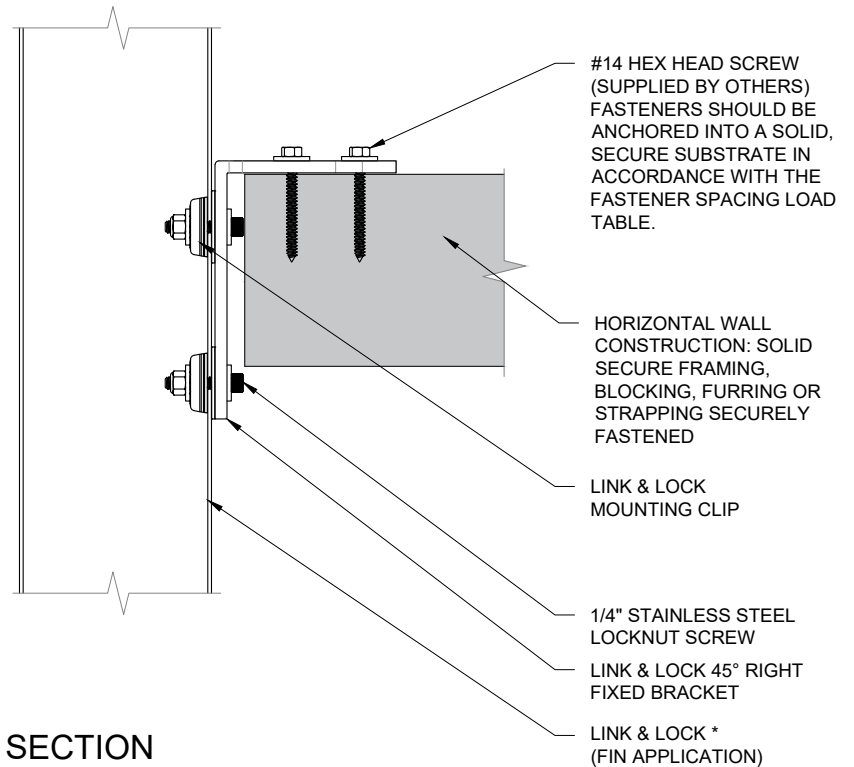
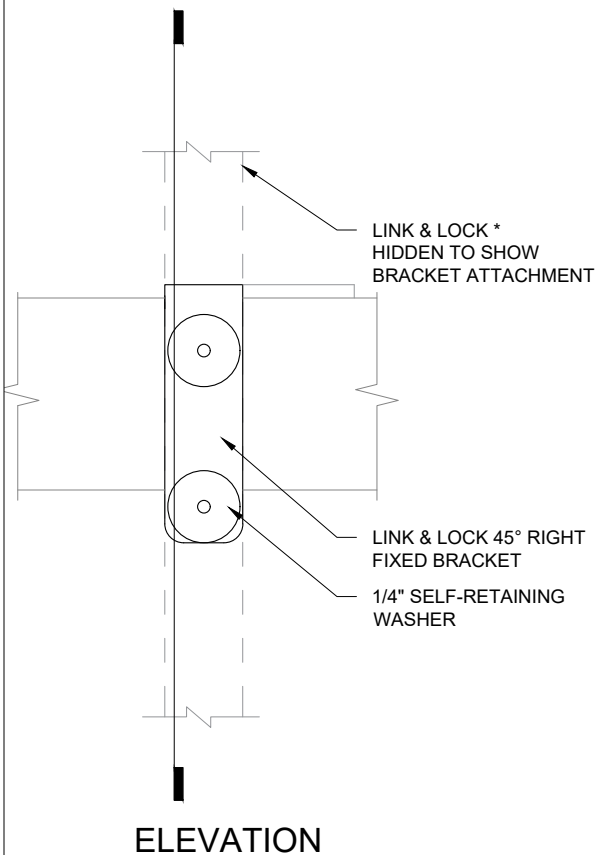
SCALE 1:4





PLAN

ISOMETRIC VIEW



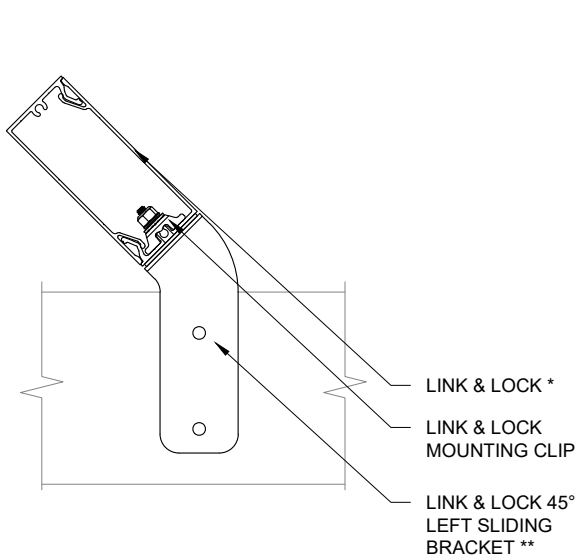
** THIS APPLICATION COULD BE TYPICAL FOR ALL LINK & LOCK FIXED BRACKETS.
 * THIS APPLICATION COULD BE TYPICAL FOR ALL LINK & LOCK PROFILES.

These drawings are published as an information guide only. These CAD drawings are intended as templates to assist the designer, they do not contain the full detail required for construction and must be read in conjunction with the installation instructions on www.longboardproducts.com. You should obtain architectural, engineering or other technical advice to assess the suitability of these drawings to the requirements of your particular project. Longboard Architectural Products accepts no liability in respect to the use of these drawings. For complete installation instructions refer to the appropriate documentation here www.longboardproducts.com/resources/technical-documentation/installation-guides

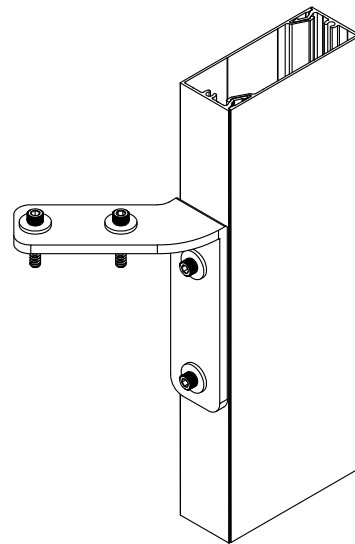
LINK & LOCK™ BRACKET 45° RIGHT FIXED ATTACHMENT

SCALE 1:4

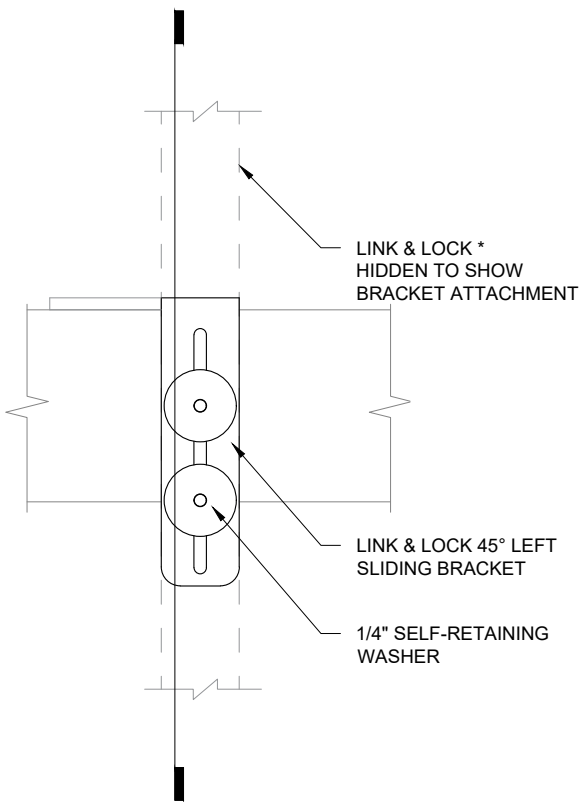




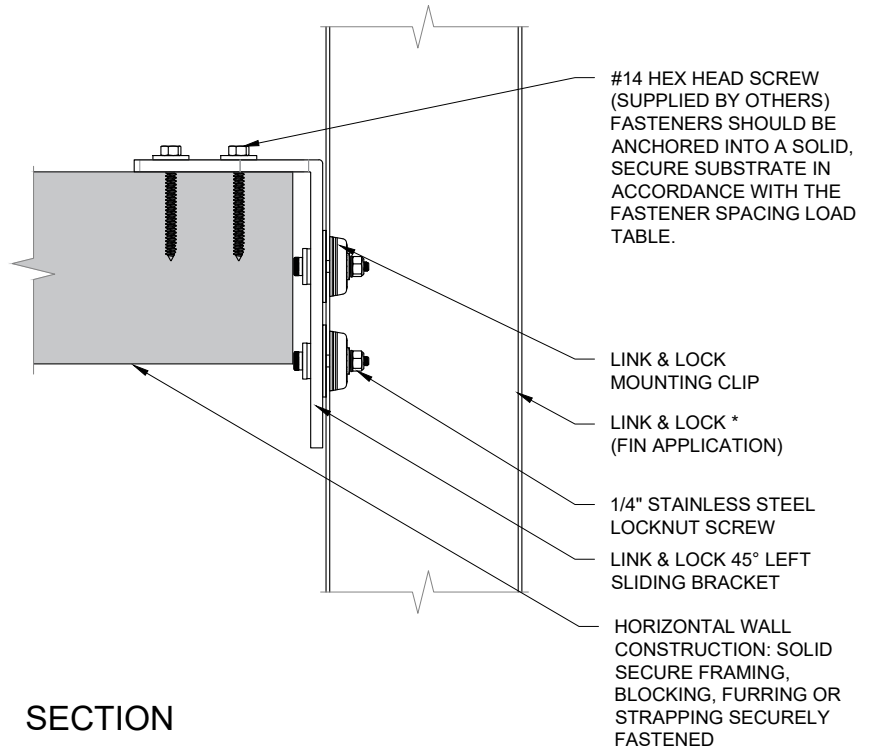
PLAN



ISOMETRIC VIEW



ELEVATION



SECTION

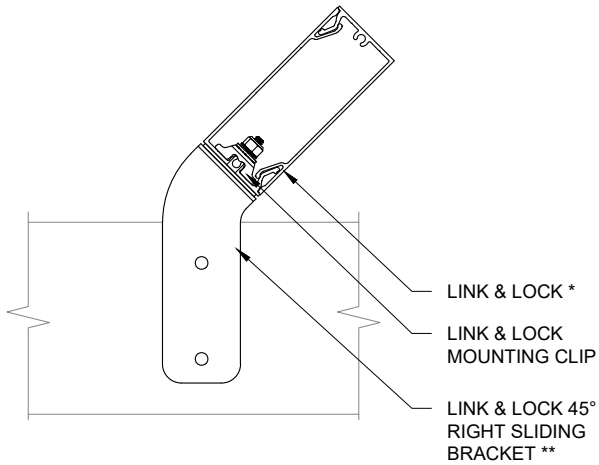
** THIS APPLICATION COULD BE TYPICAL FOR ALL LINK & LOCK SLIDING BRACKETS.
 * THIS APPLICATION COULD BE TYPICAL FOR ALL LINK & LOCK PROFILES.

These drawings are published as an information guide only. These CAD drawings are intended as templates to assist the designer, they do not contain the full detail required for construction and must be read in conjunction with the installation instructions on www.longboardproducts.com. You should obtain architectural, engineering or other technical advice to assess the suitability of these drawings to the requirements of your particular project. Longboard Architectural Products accepts no liability in respect to the use of these drawings. For complete installation instructions refer to the appropriate documentation here www.longboardproducts.com/resources/technical-documentation/installation-guides

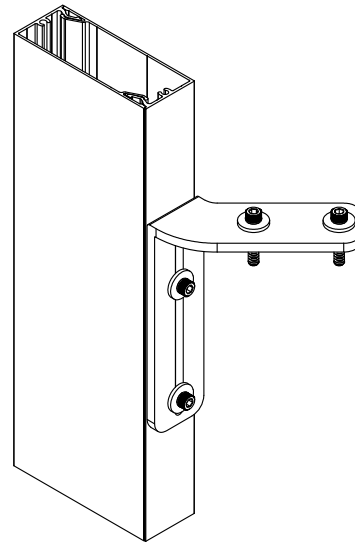
LINK & LOCK™ BRACKET 45° LEFT SLIDING ATTACHMENT

SCALE 1:4

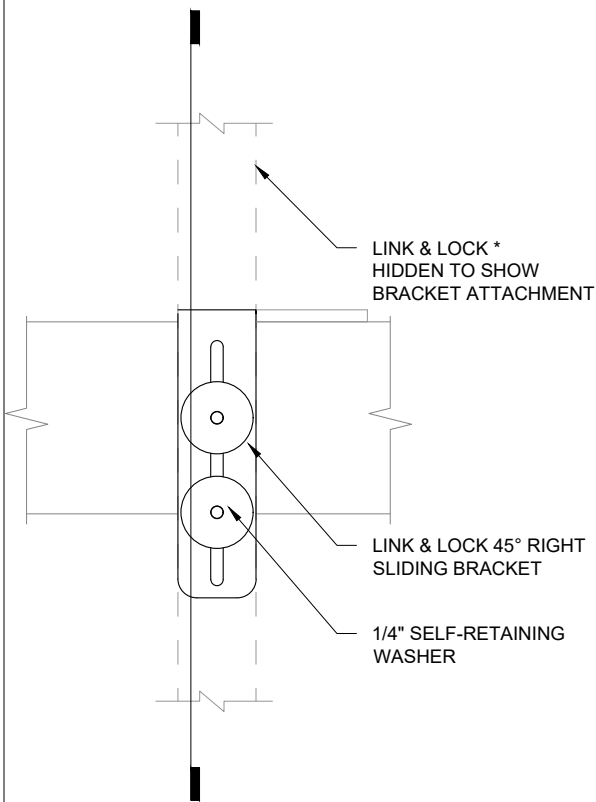




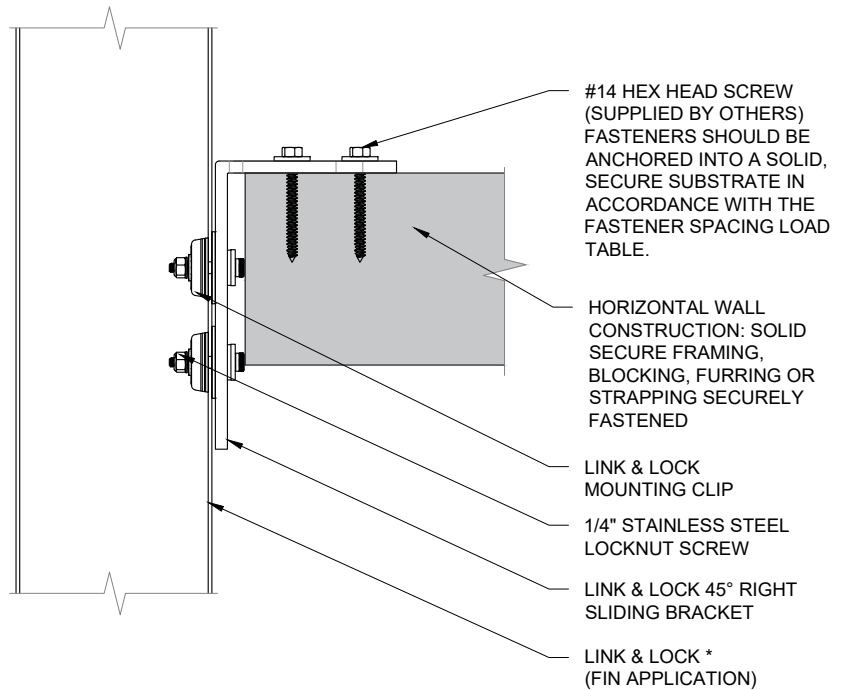
PLAN



ISOMETRIC VIEW



ELEVATION



SECTION

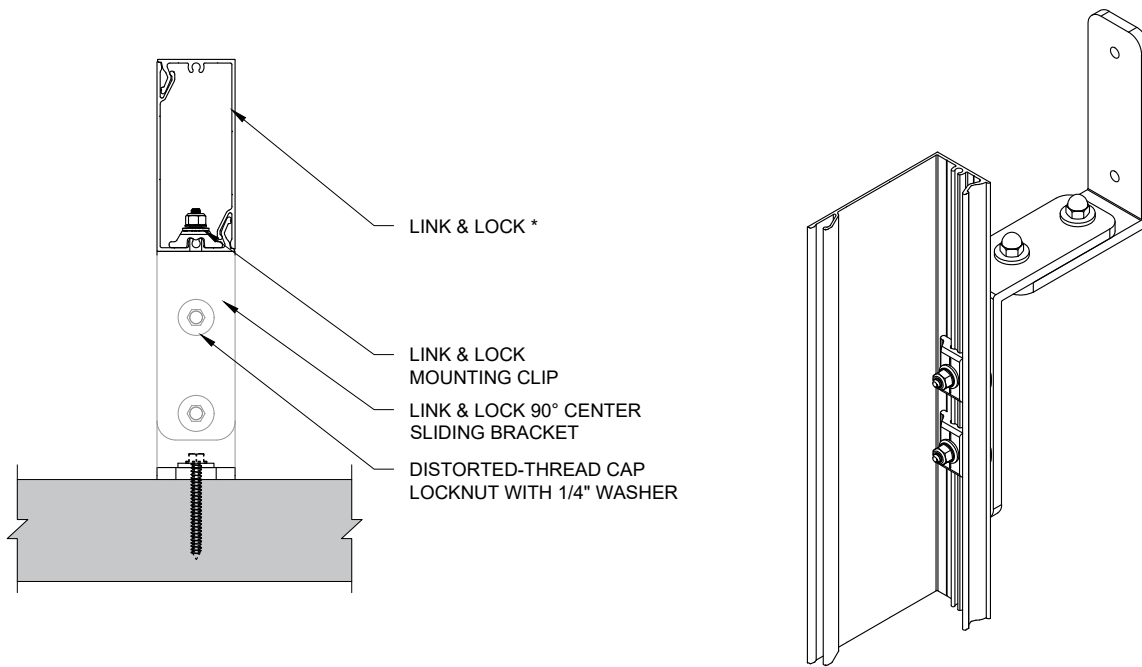
** THIS APPLICATION COULD BE TYPICAL FOR ALL LINK & LOCK SLIDING BRACKETS.
 * THIS APPLICATION COULD BE TYPICAL FOR ALL LINK & LOCK PROFILES.

These drawings are published as an information guide only. These CAD drawings are intended as templates to assist the designer, they do not contain the full detail required for construction and must be read in conjunction with the installation instructions on www.longboardproducts.com. You should obtain architectural, engineering or other technical advice to assess the suitability of these drawings to the requirements of your particular project. Longboard Architectural Products accepts no liability in respect to the use of these drawings. For complete installation instructions refer to the appropriate documentation here www.longboardproducts.com/resources/technical-documentation/installation-guides

LINK & LOCK™ BRACKET 45° RIGHT SLIDING ATTACHMENT

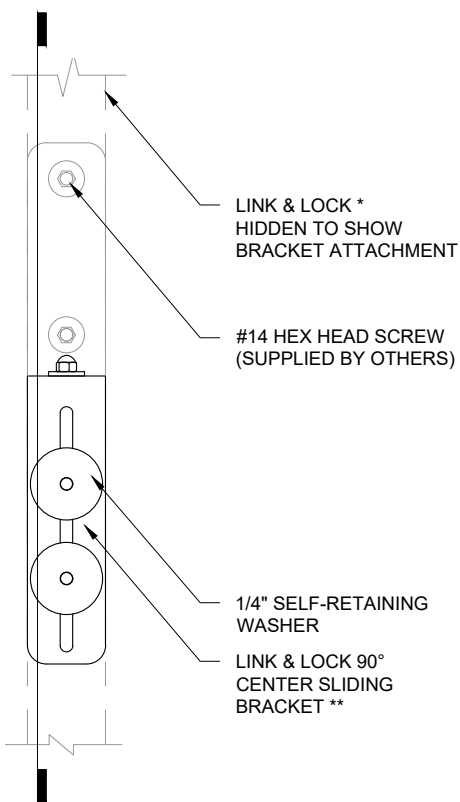
SCALE 1:4



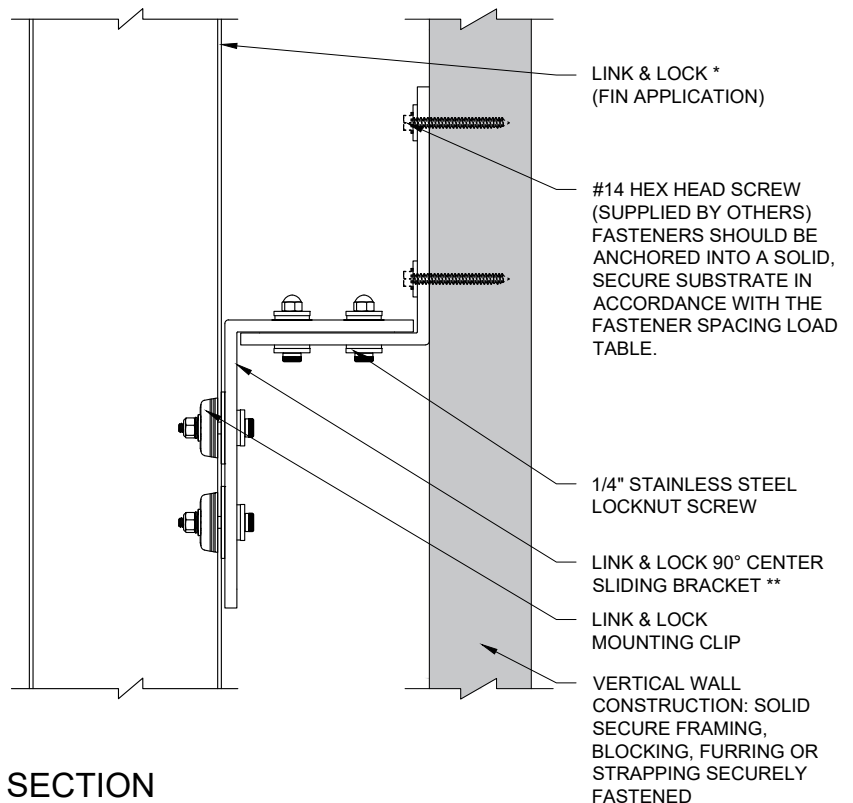


PLAN

ISOMETRIC VIEW



ELEVATION



SECTION

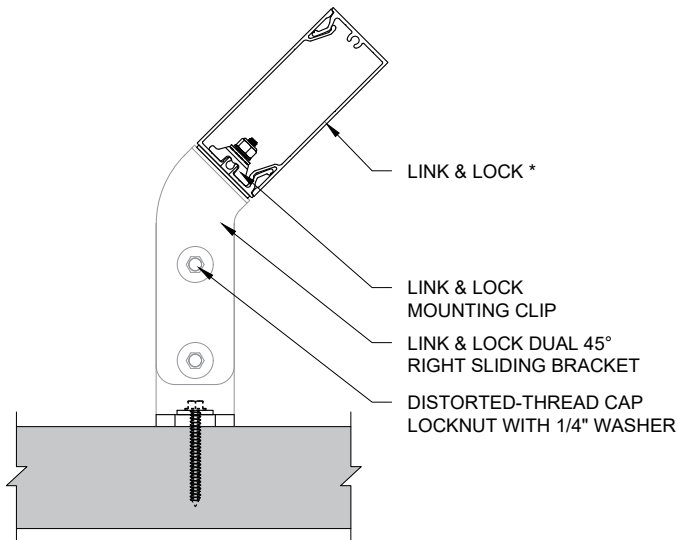
** THIS APPLICATION COULD BE TYPICAL FOR ALL LINK & LOCK FIXED BRACKETS.
 * THIS APPLICATION COULD BE TYPICAL FOR ALL LINK & LOCK PROFILES.

These drawings are published as an information guide only. These CAD drawings are intended as templates to assist the designer, they do not contain the full detail required for construction and must be read in conjunction with the installation instructions on www.longboardproducts.com. You should obtain architectural, engineering or other technical advice to assess the suitability of these drawings to the requirements of your particular project. Longboard Architectural Products accepts no liability in respect to the use of these drawings. For complete installation instructions refer to the appropriate documentation here www.longboardproducts.com/resources/technical-documentation/installation-guides

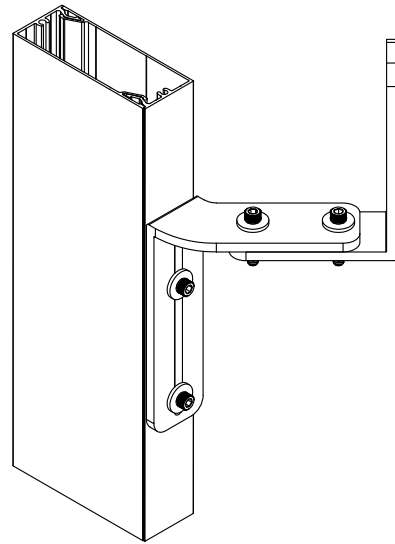
LINK & LOCK™ DUAL BRACKET 90° CENTER SLIDING ATTACHMENT

SCALE 1:4

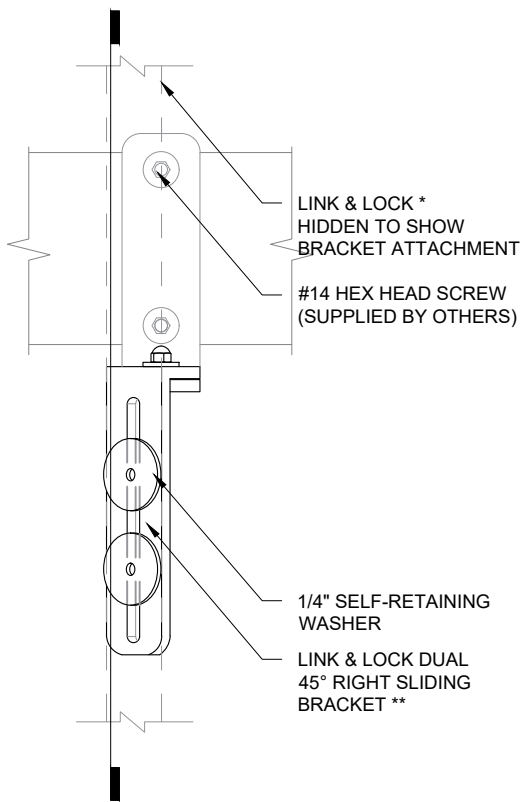




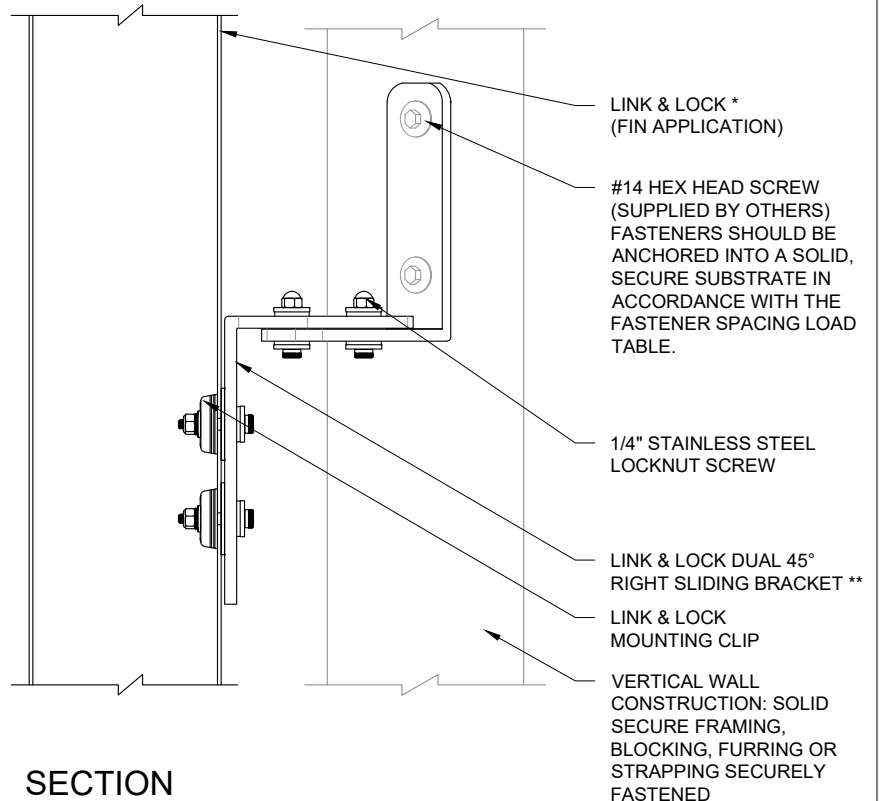
PLAN



ISOMETRIC VIEW



ELEVATION



SECTION

** THIS APPLICATION COULD BE TYPICAL FOR ALL LINK & LOCK SLIDING BRACKETS.

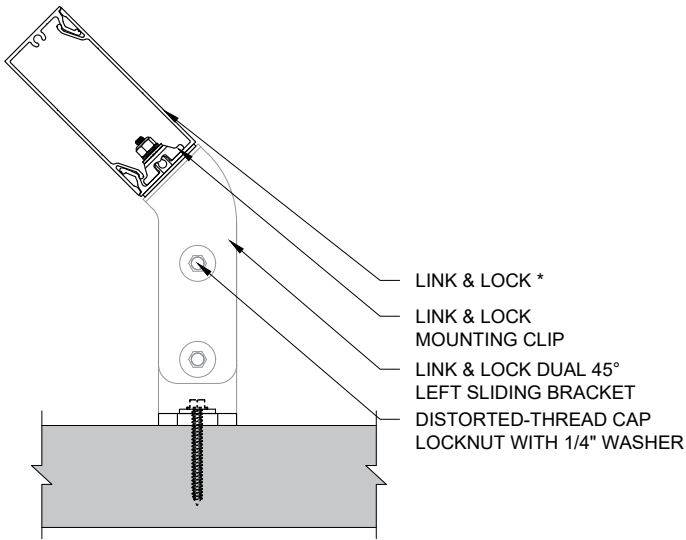
* THIS APPLICATION COULD BE TYPICAL FOR ALL LINK & LOCK PROFILES.

These drawings are published as an information guide only. These CAD drawings are intended as templates to assist the designer, they do not contain the full detail required for construction and must be read in conjunction with the installation instructions on www.longboardproducts.com. You should obtain architectural, engineering or other technical advice to assess the suitability of these drawings to the requirements of your particular project. Longboard Architectural Products accepts no liability in respect to the use of these drawings. For complete installation instructions refer to the appropriate documentation here www.longboardproducts.com/resources/technical-documentation/installation-guides

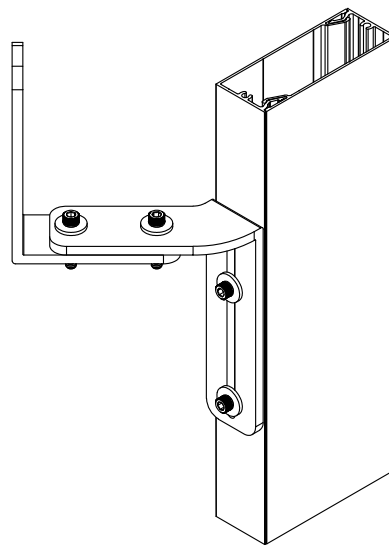
LINK & LOCK™ DUAL BRACKET 45° RIGHT SLIDING ATTACHMENT

SCALE 1:4

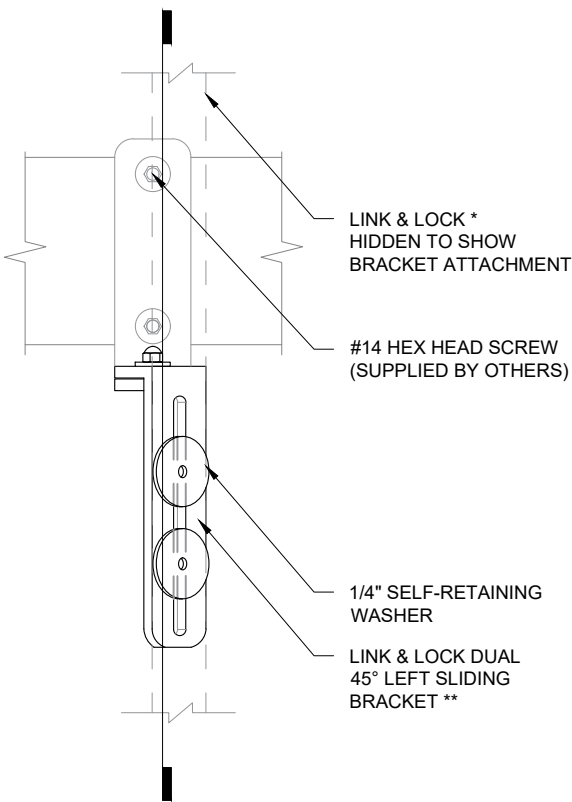




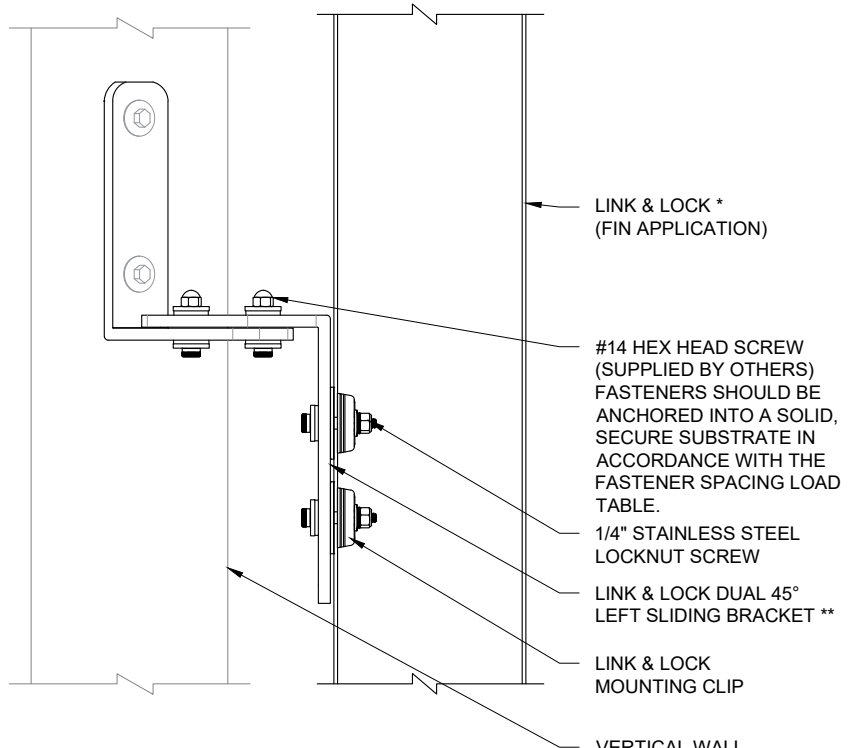
PLAN



ISOMETRIC VIEW



ELEVATION



SECTION

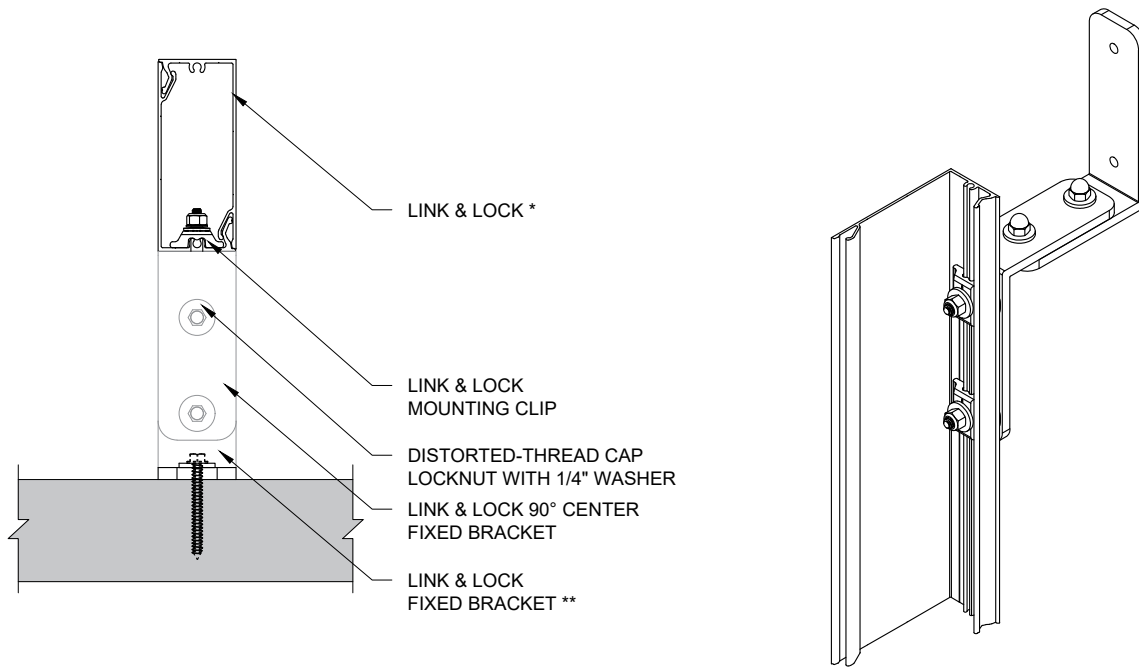
** THIS APPLICATION COULD BE TYPICAL FOR ALL LINK & LOCK SLIDING BRACKETS.
 * THIS APPLICATION COULD BE TYPICAL FOR ALL LINK & LOCK PROFILES.

These drawings are published as an information guide only. These CAD drawings are intended as templates to assist the designer, they do not contain the full detail required for construction and must be read in conjunction with the installation instructions on www.longboardproducts.com. You should obtain architectural, engineering or other technical advice to assess the suitability of these drawings to the requirements of your particular project. Longboard Architectural Products accepts no liability in respect to the use of these drawings. For complete installation instructions refer to the appropriate documentation here www.longboardproducts.com/resources/technical-documentation/installation-guides

LINK & LOCK™ DUAL BRACKET 45° LEFT SLIDING ATTACHMENT

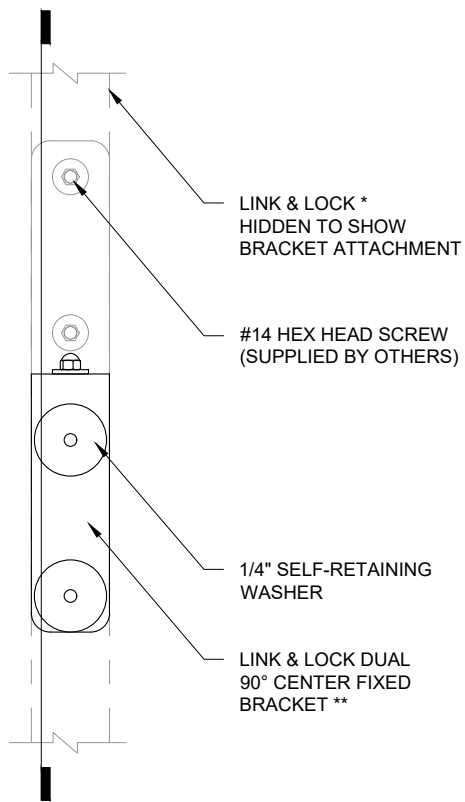
SCALE 1:4



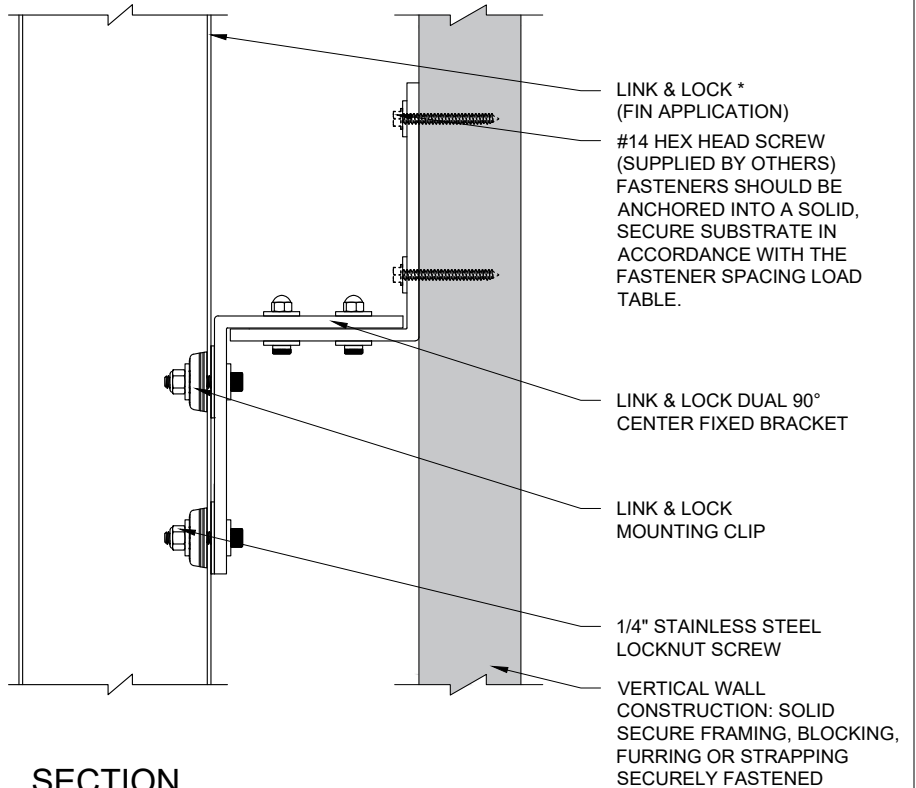


PLAN

ISOMETRIC VIEW



ELEVATION



SECTION

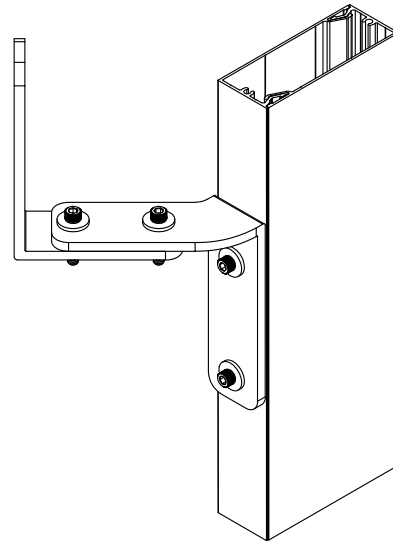
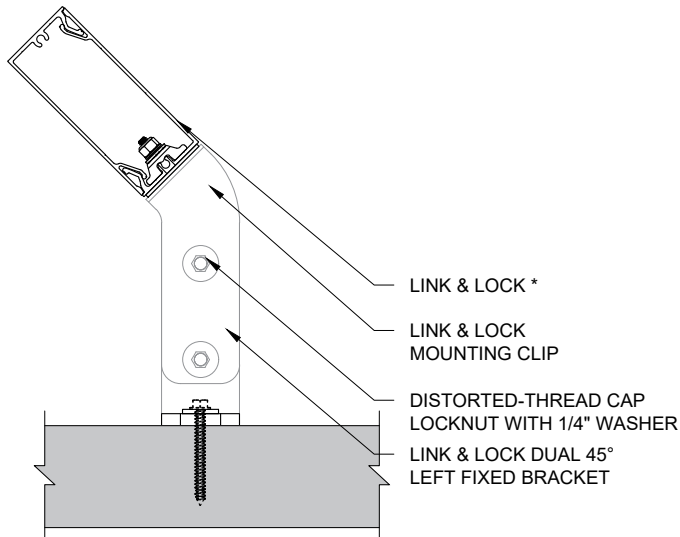
** THIS APPLICATION COULD BE TYPICAL FOR ALL LINK & LOCK FIXED BRACKETS.
 * THIS APPLICATION COULD BE TYPICAL FOR ALL LINK & LOCK PROFILES.

These drawings are published as an information guide only. These CAD drawings are intended as templates to assist the designer, they do not contain the full detail required for construction and must be read in conjunction with the installation instructions on www.longboardproducts.com. You should obtain architectural, engineering or other technical advice to assess the suitability of these drawings to the requirements of your particular project. Longboard Architectural Products accepts no liability in respect to the use of these drawings. For complete installation instructions refer to the appropriate documentation here www.longboardproducts.com/resources/technical-documentation/installation-guides

LINK & LOCK™ DUAL BRACKET 90° CENTER FIXED ATTACHMENT

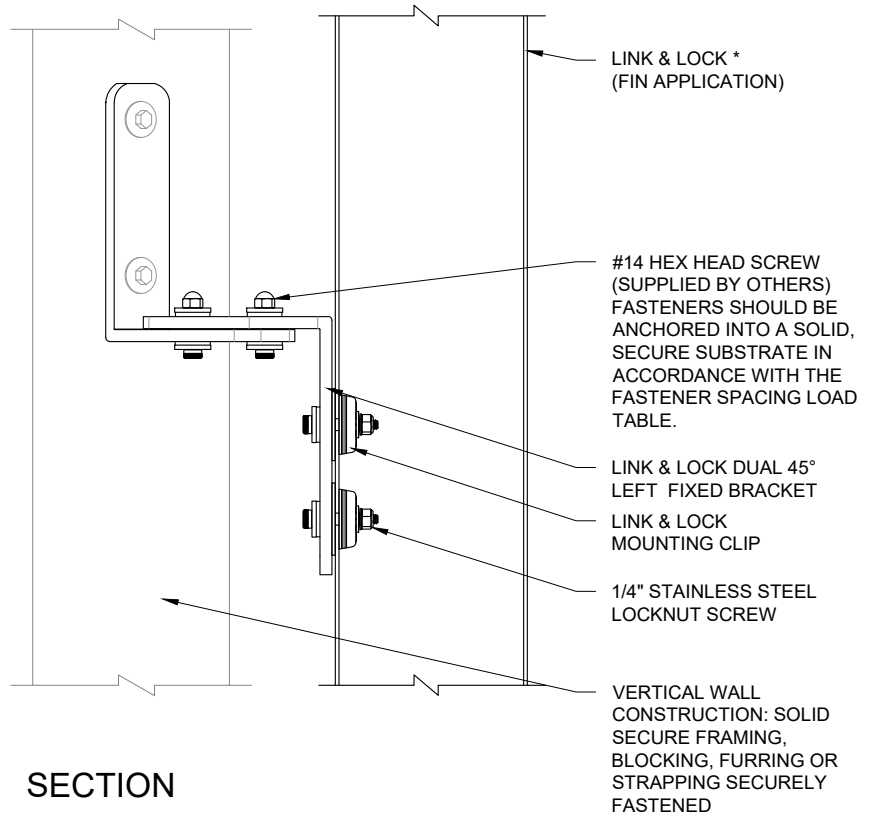
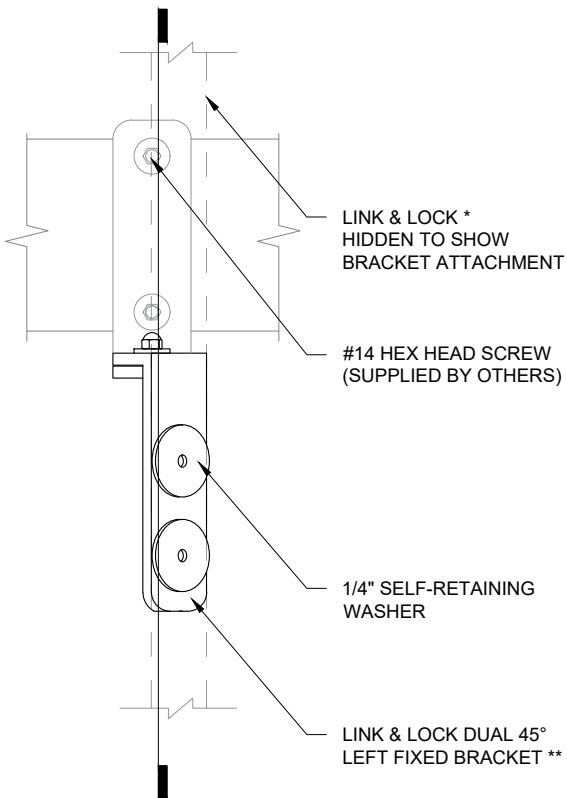
SCALE 1:4





PLAN

ISOMETRIC VIEW



ELEVATION

SECTION

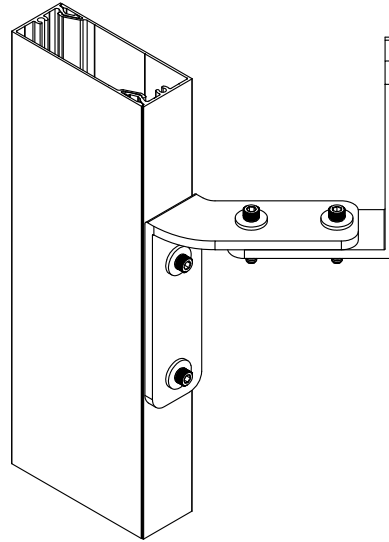
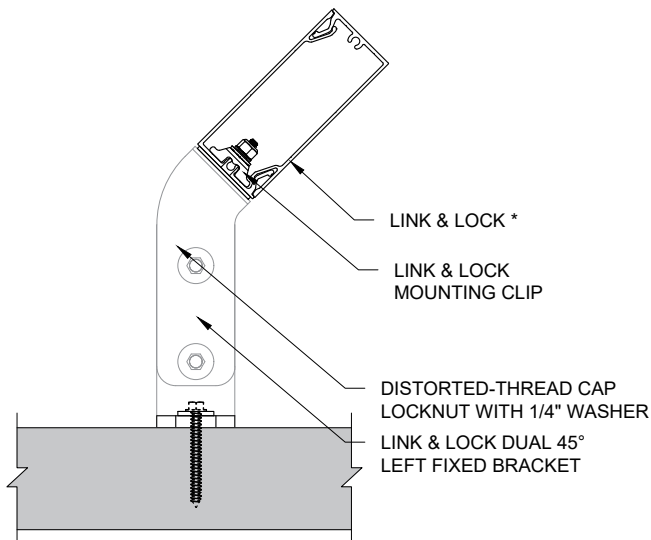
** THIS APPLICATION COULD BE TYPICAL FOR ALL LINK & LOCK FIXED BRACKETS.
 * THIS APPLICATION COULD BE TYPICAL FOR ALL LINK & LOCK PROFILES.

These drawings are published as an information guide only. These CAD drawings are intended as templates to assist the designer, they do not contain the full detail required for construction and must be read in conjunction with the installation instructions on www.longboardproducts.com. You should obtain architectural, engineering or other technical advice to assess the suitability of these drawings to the requirements of your particular project. Longboard Architectural Products accepts no liability in respect to the use of these drawings. For complete installation instructions refer to the appropriate documentation here www.longboardproducts.com/resources/technical-documentation/installation-guides

LINK & LOCK™ DUAL BRACKET 45° LEFT FIXED ATTACHMENT

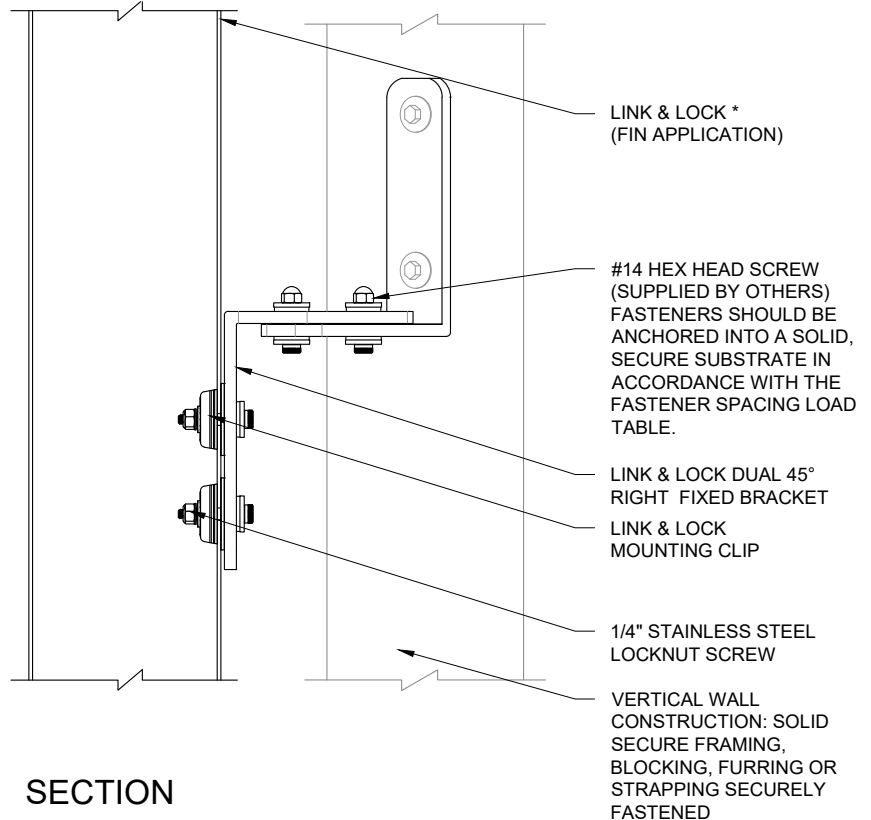
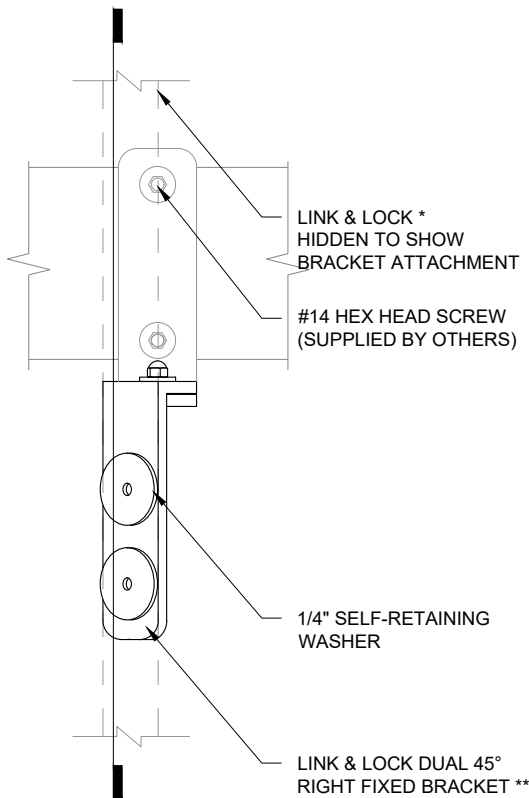
SCALE 1:4





PLAN

ISOMETRIC VIEW



ELEVATION

SECTION

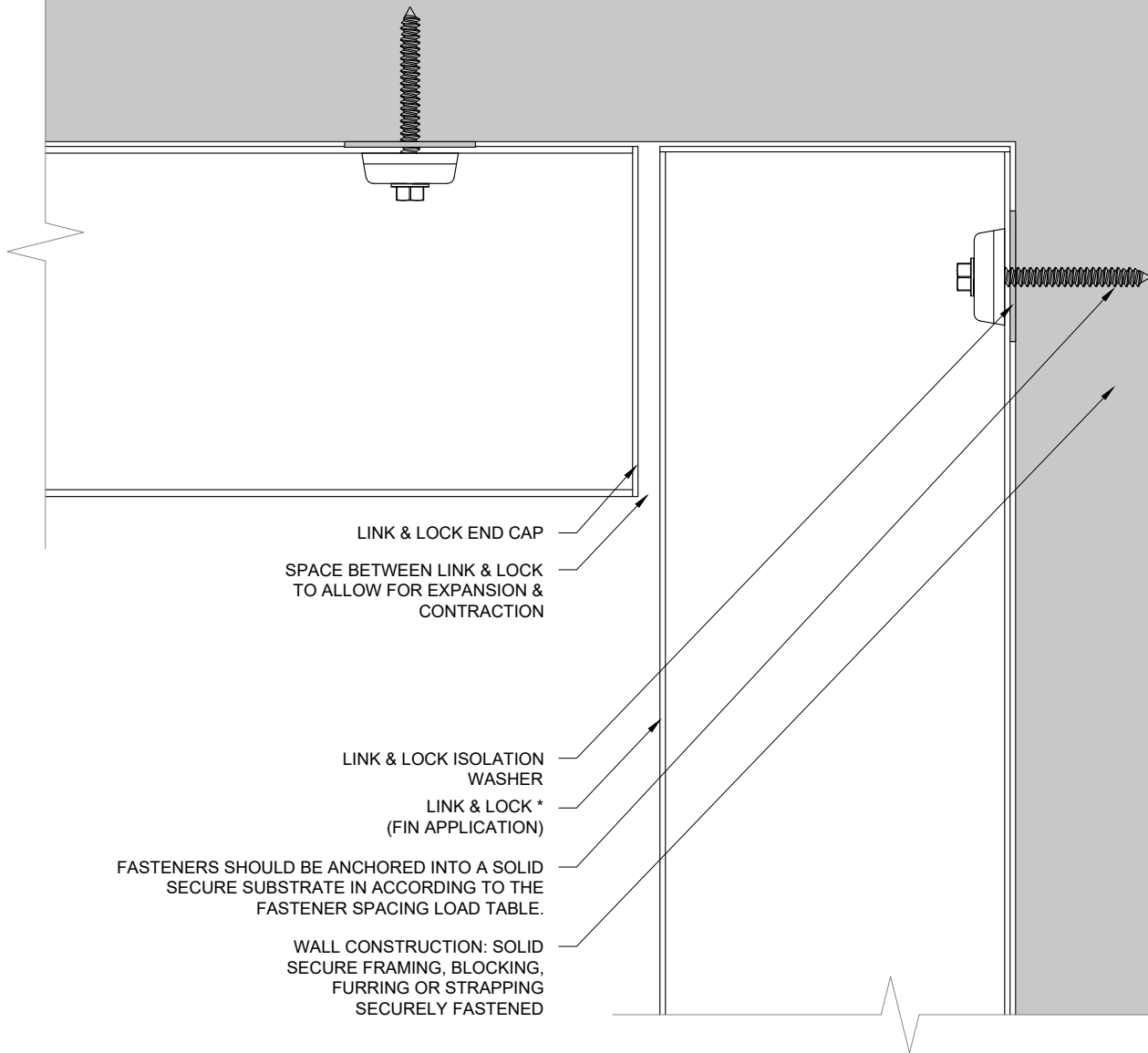
** THIS APPLICATION COULD BE TYPICAL FOR ALL LINK & LOCK FIXED BRACKETS.
 * THIS APPLICATION COULD BE TYPICAL FOR ALL LINK & LOCK PROFILES.

These drawings are published as an information guide only. These CAD drawings are intended as templates to assist the designer, they do not contain the full detail required for construction and must be read in conjunction with the installation instructions on www.longboardproducts.com. You should obtain architectural, engineering or other technical advice to assess the suitability of these drawings to the requirements of your particular project. Longboard Architectural Products accepts no liability in respect to the use of these drawings. For complete installation instructions refer to the appropriate documentation here www.longboardproducts.com/resources/technical-documentation/installation-guides

LINK & LOCK™ DUAL BRACKET 45° RIGHT FIXED ATTACHMENT

SCALE 1:4





* THIS APPLICATION COULD BE TYPICAL FOR ALL LINK & LOCK PROFILES.

These drawings are published as an information guide only. These CAD drawings are intended as templates to assist the designer, they do not contain the full detail required for construction and must be read in conjunction with the installation instructions on www.longboardproducts.com. You should obtain architectural, engineering or other technical advice to assess the suitability of these drawings to the requirements of your particular project. Longboard Architectural Products accepts no liability in respect to the use of these drawings. For complete installation instructions refer to the appropriate documentation here www.longboardproducts.com/resources/technical-documentation/installation-guides

CLADDING TO SOFFIT TRANSITION LINK & LOCK™

SCALE: 1:2

