

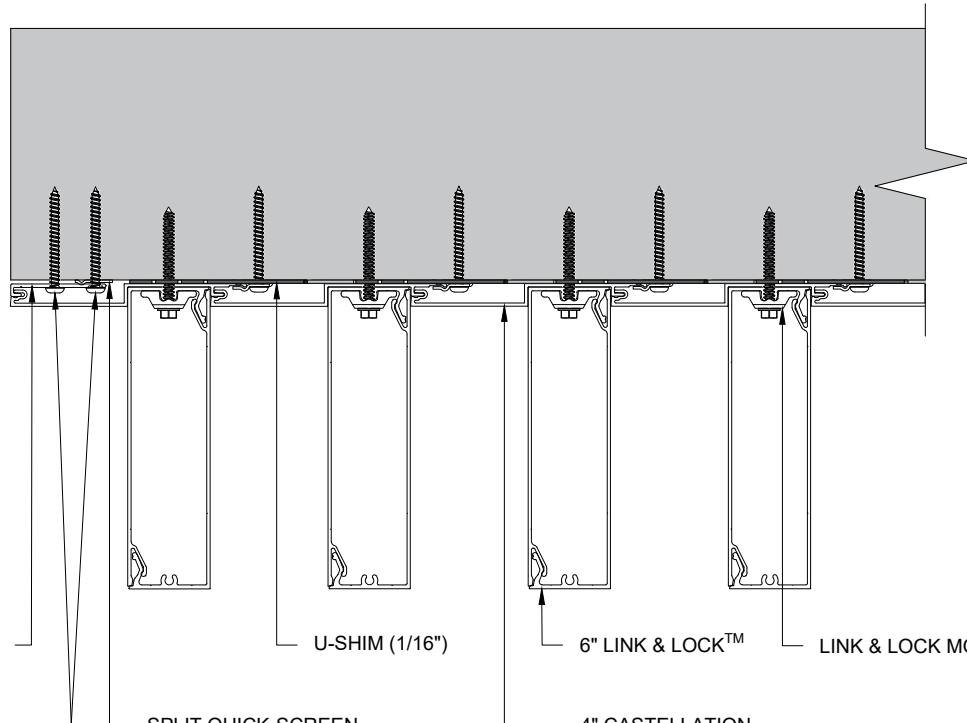
## TEXTURED WALLS TYPICAL DETAILS

### TABLE OF CONTENT

(Click on the drawing name below to be directed to the right profile)

- [4" CASTELLATION PLANK @ START OF THE WALL DETAIL](#)
- [4" CASTELLATION PLANK @ END OF THE WALL DETAIL](#)
- [4" CASTELLATION PLANK @ PARAPET DETAIL](#)
- [4" CASTELLATION PLANK WITH LINK & LOCK @ PARAPET DETAIL](#)
- [4" CASTELLATION PLANK @ BOTTOM OF THE WALL DETAIL](#)
- [4" CASTELLATION PLANK WITH LINK & LOCK @ BOTTOM OF THE WALL](#)
- [4" CASTELLATION PLANK TYPICAL OUTSIDE CORNER DETAIL](#)
- [4" CASTELLATION PLANK WITH LINK & LOCK OUTSIDE CORNER DETAIL](#)
- [4" CASTELLATION PLANK TYPICAL INSIDE CORNER DETAIL](#)
- [4" CASTELLATION PLANK WITH LINK & LOCK INSIDE CORNER DETAIL](#)
- [4" CASTELLATION PLANK TYPICAL NON 90 DEGREE CORNER DETAIL](#)
- [4" CASTELLATION PLANK WITH LINK & LOCK NON 90 DEGREE CORNER DETAIL](#)
- [4" CASTELLATION PLANK TYPICAL TRIMS @ WINDOW DETAIL](#)
- [4" CASTELLATION PLANK WITH LINK & LOCK TYPICAL TRIMS @ WINDOW DETAIL](#)
- [4" CASTELLATION PLANK SINGLE BUTT-JOINT DETAIL](#)
- [4" CASTELLATION PLANK MULTIPLE FLOATING BUTT-JOINT DETAIL](#)
- [4" CASTELLATION PLANK HARD FASTENING DETAIL](#)
- [8" CASTELLATION PLANK @ START OF THE WALL DETAIL](#)
- [8" CASTELLATION PLANK @ END OF THE WALL DETAIL](#)
- [8" CASTELLATION PLANK @ PARAPET DETAIL](#)
- [8" CASTELLATION PLANK WITH LINK & LOCK @ PARAPET DETAIL](#)
- [8" CASTELLATION PLANK @ BOTTOM OF THE WALL](#)
- [8" CASTELLATION PLANK WITH LINK & LOCK @ BOTTOM OF THE WALL](#)
- [8" CASTELLATION PLANK TYPICAL OUTSIDE CORNER DETAIL](#)
- [8" CASTELLATION PLANK WITH LINK & LOCK OUTSIDE CORNER DETAIL](#)
- [8" CASTELLATION PLANK TYPICAL INSIDE CORNER DETAIL](#)
- [8" CASTELLATION PLANK WITH LINK & LOCK INSIDE CORNER DETAIL](#)
- [8" CASTELLATION PLANK TYPICAL NON 90 DEGREE CORNER DETAIL](#)
- [8" CASTELLATION PLANK WITH LINK & LOCK NON 90 DEGREE CORNER DETAIL](#)
- [8" CASTELLATION PLANK TYPICAL TRIMS @ WINDOW DETAIL](#)
- [8" CASTELLATION PLANK WITH LINK & LOCK TYPICAL TRIMS @ WINDOW DETAIL](#)
- [8" CASTELLATION PLANK SINGLE BUTT-JOINT DETAIL](#)
- [8" CASTELLATION PLANK MULTIPLE FLOATING BUTT-JOINT DETAIL](#)
- [8" CASTELLATION PLANK HARD FASTENING DETAIL](#)
- [6" SINGLE BEVEL @ START OF THE WALL DETAIL](#)
- [6" SINGLE BEVEL @ END OF THE WALL DETAIL](#)
- [6" SINGLE BEVEL TYPICAL OUTSIDE CORNER DETAIL](#)
- [6" SINGLE BEVEL @ PARAPET DETAIL](#)
- [6" SINGLE BEVEL WITH LINK & LOCK @ BOTTOM OF THE WALL DETAIL](#)
- [6" SINGLE BEVEL TYPICAL TRIMS @ WINDOW DETAIL](#)
- [6" SINGLE BEVEL SINGLE BUTT-JOINT DETAIL](#)
- [6" SINGLE BEVEL MULTIPLE FLOATING BUTT-JOINT DETAIL](#)

6" SINGLE BEVEL HARD FASTENING DETAIL  
6" TRIPLE BEVEL @ START OF THE WALL DETAIL  
6" TRIPLE BEVEL @ END OF THE WALL DETAIL  
6" TRIPLE BEVEL TYPICAL OUTSIDE CORNER DETAIL  
6" TRIPLE BEVEL @ PARAPET DETAIL  
6" TRIPLE BEVEL WITH LINK & LOCK @ BOTTOM OF THE WALL DETAIL  
6" TRIPLE BEVEL TYPICAL TRIMS @ WINDOW DETAIL  
6" TRIPLE BEVEL SINGLE BUTT-JOINT DETAIL  
6" TRIPLE BEVEL MULTIPLE FLOATING BUTT-JOINT DETAIL  
6" TRIPLE BEVEL HARD FASTENING DETAIL



TRADITIONAL  
STARTER STRIP (1-7/8")

U-SHIM (1/16")

6" LINK & LOCK™

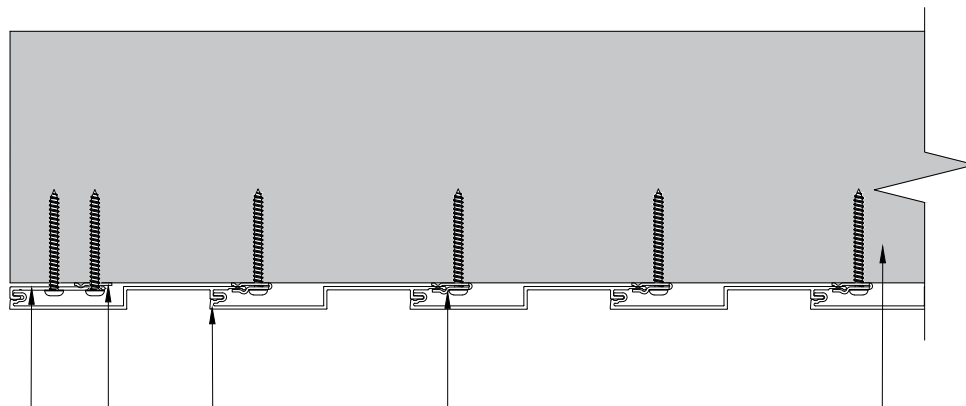
LINK & LOCK MOUNTING CLIP

STARTER STRIP REQUIRES  
TWO ANCHORS AT EACH  
FASTENER LOCATION (ONE  
WITH QUICK-SCREEN CLIP  
AND ONE AT MID-POINT  
SLOTTED HOLE)

SPLIT QUICK-SCREEN  
CLIP IN HALF AND USE  
BACK PIECE WHERE  
NECESSARY AS A SHIM

4" CASTELLATION

### 4" CASTELLATION WITH LINK & LOCK™



TRADITIONAL  
STARTER STRIP (1-7/8")

4" CASTELLATION

QUICK-SCREEN CLIP;  
STANDARD ATTACHMENT AT 16" OR  
32" O.C. DEPENDING ON THE PROJECT  
WIND LOAD (REFER TO INSTALLATION  
GUIDE FASTENING TABLES) USING #10  
PAN HEAD SCREWS (BY OTHERS)

WALL CONSTRUCTION:  
SOLID SECURE FRAMING,  
BLOCKING, FURRING OR  
STRAPPING SECURELY  
FASTENED @ 16" O. C. (BY  
OTHERS)

SPLIT QUICK-SCREEN  
CLIP IN HALF AND USE  
BACK PIECE WHERE  
NECESSARY AS A SHIM

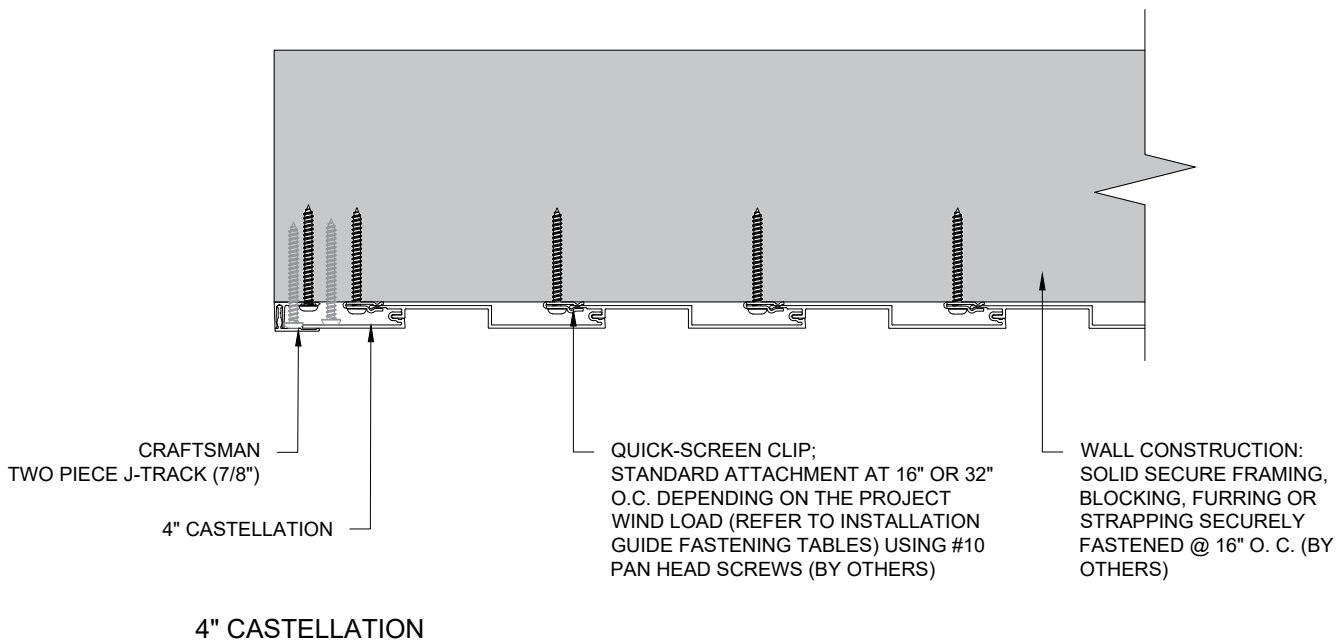
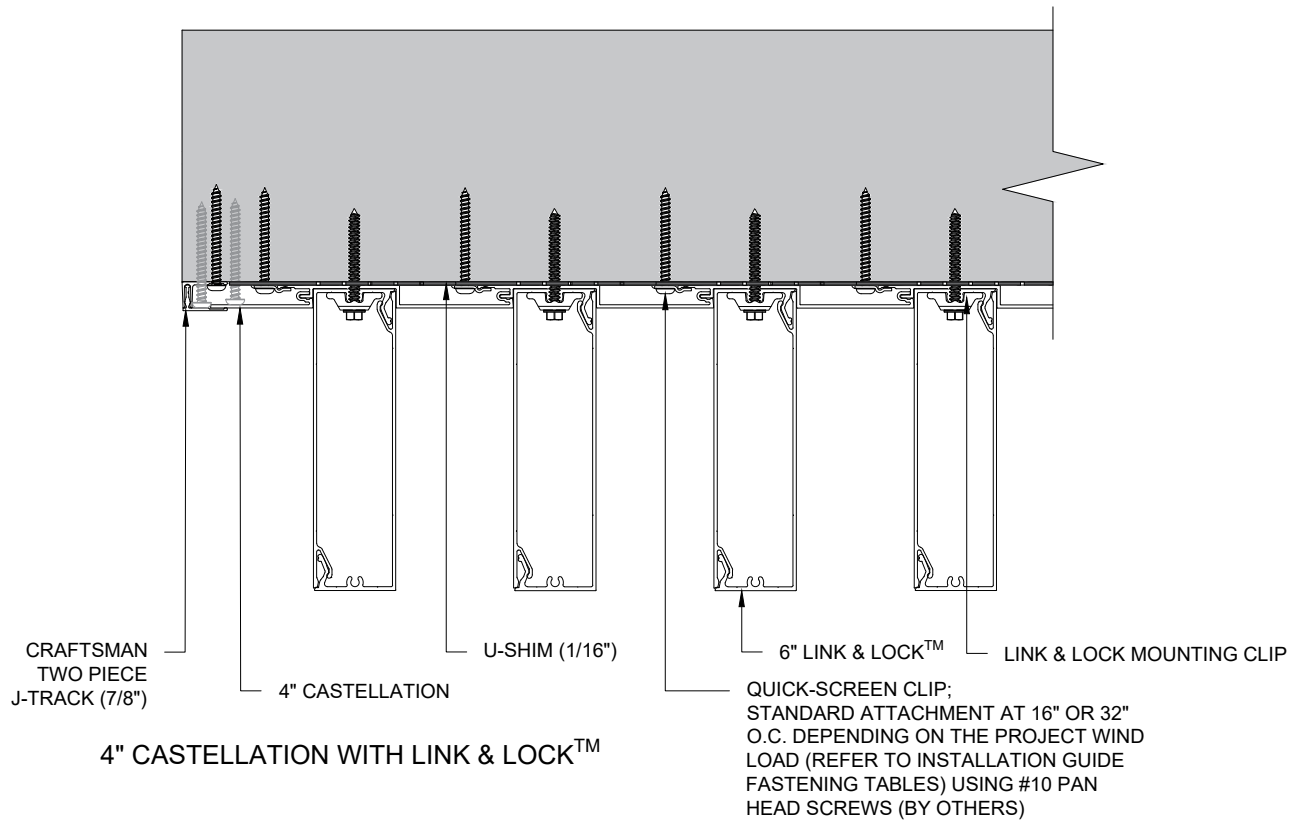
### 4" CASTELLATION

## START OF THE WALL DETAIL 4" CASTELLATION

SCALE 1:4



These drawings are published as an information guide only. These CAD drawings are intended as templates to assist the designer, they do not contain the full detail required for construction and must be read in conjunction with the installation instructions on [www.longboardproducts.com](http://www.longboardproducts.com). You should obtain architectural, engineering or other technical advice to assess the suitability of these drawings to the requirements of your particular project. Longboard Architectural Products accepts no liability in respect to the use of these drawings. For complete installation instructions refer to the appropriate documentation here [www.longboardproducts.com/resources/technical-documentation/installation-guides](http://www.longboardproducts.com/resources/technical-documentation/installation-guides)

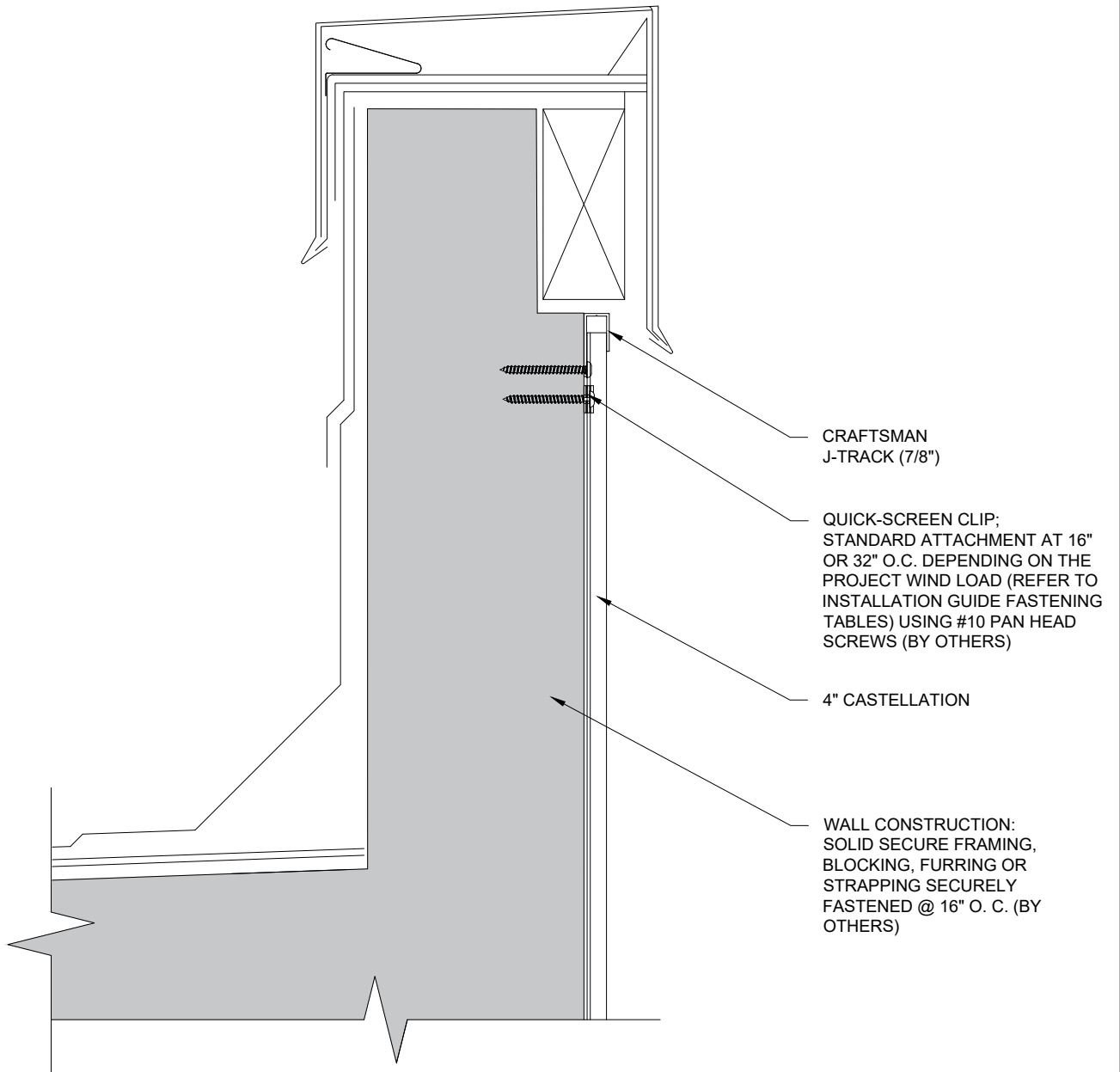


These drawings are published as an information guide only. These CAD drawings are intended as templates to assist the designer, they do not contain the full detail required for construction and must be read in conjunction with the installation instructions on [www.longboardproducts.com](http://www.longboardproducts.com). You should obtain architectural, engineering or other technical advice to assess the suitability of these drawings to the requirements of your particular project. Longboard Architectural Products accepts no liability in respect to the use of these drawings. For complete installation instructions refer to the appropriate documentation here [www.longboardproducts.com/resources/technical-documentation/installation-guides](http://www.longboardproducts.com/resources/technical-documentation/installation-guides)

## END OF THE WALL DETAIL 4" CASTELLATION

SCALE 1:4





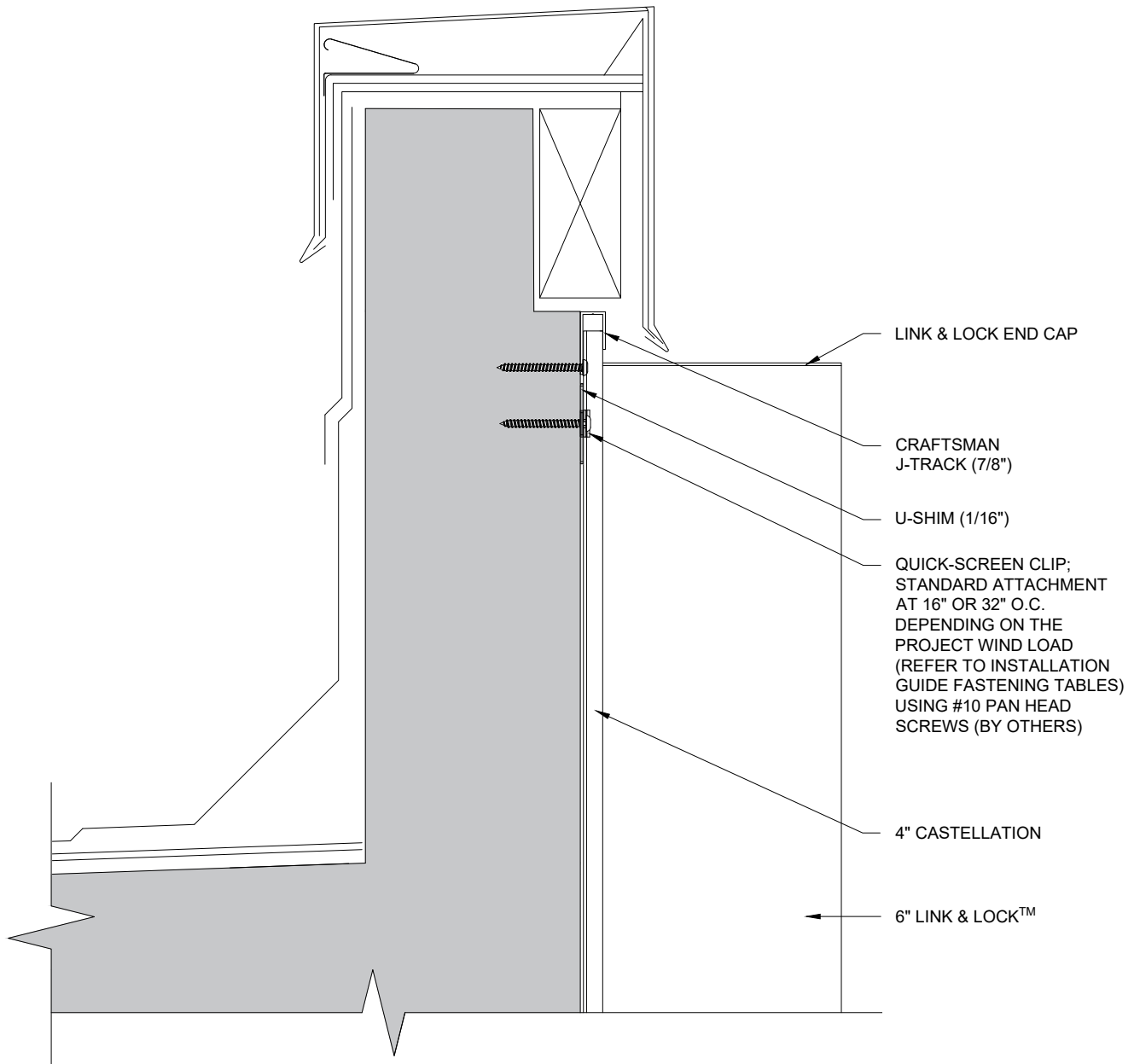
These drawings are published as an information guide only. These CAD drawings are intended as templates to assist the designer, they do not contain the full detail required for construction and must be read in conjunction with the installation instructions on [www.longboardproducts.com](http://www.longboardproducts.com). You should obtain architectural, engineering or other technical advice to assess the suitability of these drawings to the requirements of your particular project.

Longboard Architectural Products accepts no liability in respect to the use of these drawings. For complete installation instructions refer to the appropriate documentation here [www.longboardproducts.com/resources/technical-documentation/installation-guides](http://www.longboardproducts.com/resources/technical-documentation/installation-guides)

## PARAPET DETAIL 4" CASTELLATION

SCALE 1:4





These drawings are published as an information guide only. These CAD drawings are intended as templates to assist the designer, they do not contain the full detail required for construction and must be read in conjunction with the installation instructions on [www.longboardproducts.com](http://www.longboardproducts.com). You should obtain architectural, engineering or other technical advice to assess the suitability of these drawings to the requirements of your particular project.

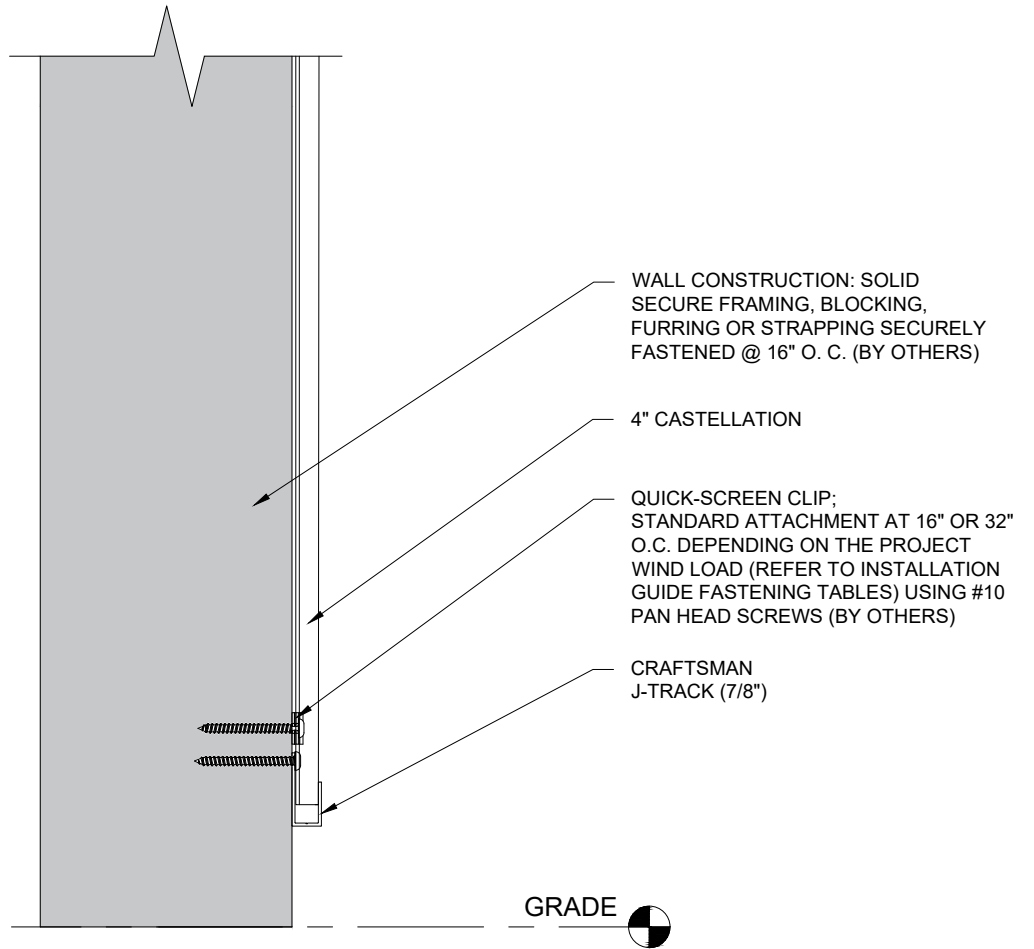
Longboard Architectural Products accepts no liability in respect to the use of these drawings.

For complete installation instructions refer to the appropriate documentation here [www.longboardproducts.com/resources/technical-documentation/installation-guides](http://www.longboardproducts.com/resources/technical-documentation/installation-guides)

## PARAPET DETAIL WITH LINK & LOCK™ 4" CASTELLATION

SCALE 1:4





## BOTTOM OF THE WALL DETAIL 4" CASTELLATION

SCALE 1:4

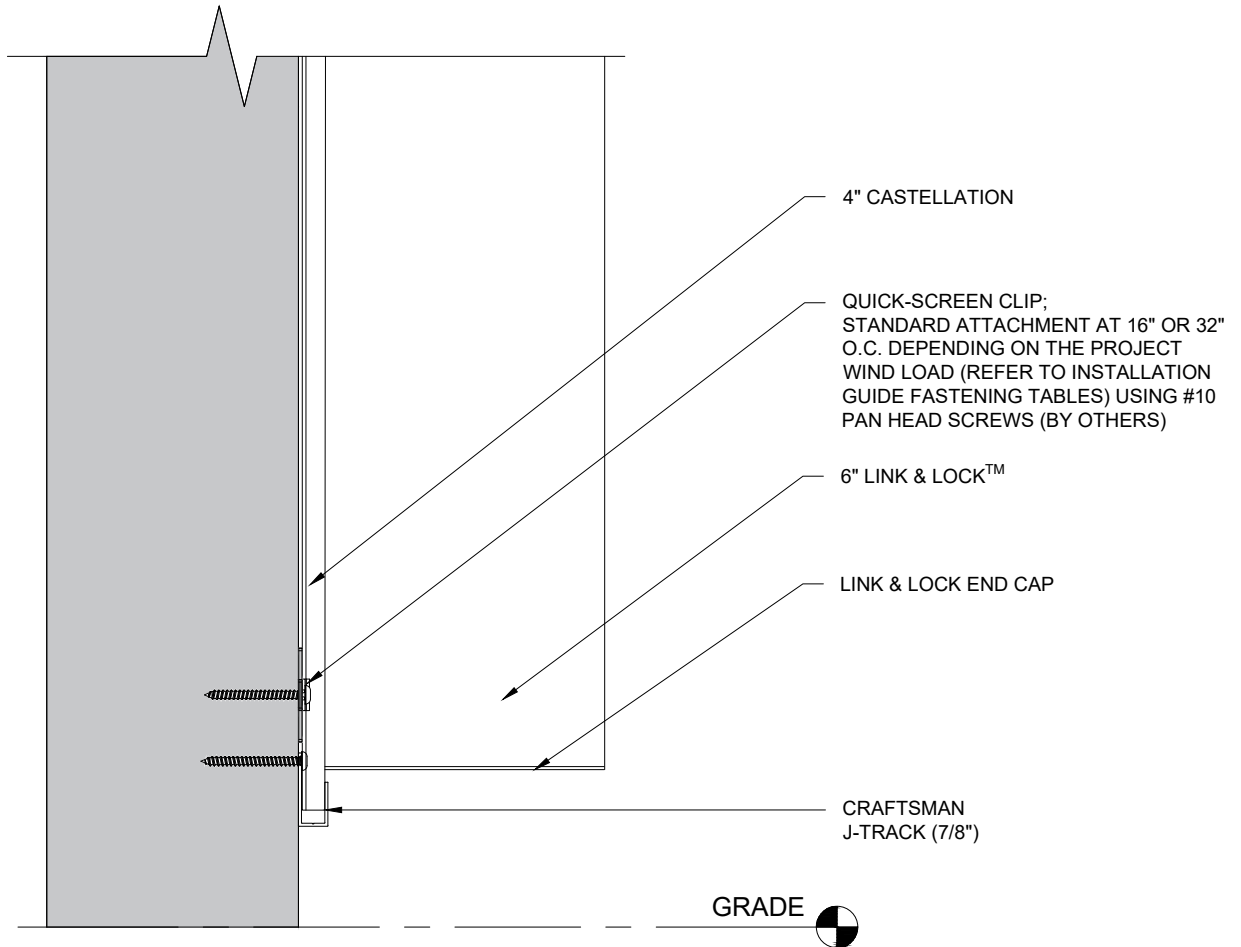


ISSUE DATE: 2026-04-10

These drawings are published as an information guide only. These CAD drawings are intended as templates to assist the designer, they do not contain the full detail required for construction and must be read in conjunction with the installation instructions on [www.longboardproducts.com](http://www.longboardproducts.com). You should obtain architectural, engineering or other technical advice to assess the suitability of these drawings to the requirements of your particular project.

Longboard Architectural Products accepts no liability in respect to the use of these drawings.

For complete installation instructions refer to the appropriate documentation here [www.longboardproducts.com/resources/technical-documentation/installation-guides](http://www.longboardproducts.com/resources/technical-documentation/installation-guides)



These drawings are published as an information guide only. These CAD drawings are intended as templates to assist the designer, they do not contain the full detail required for construction and must be read in conjunction with the installation instructions on [www.longboardproducts.com](http://www.longboardproducts.com). You should obtain architectural, engineering or other technical advice to assess the suitability of these drawings to the requirements of your particular project.

Longboard Architectural Products accepts no liability in respect to the use of these drawings.

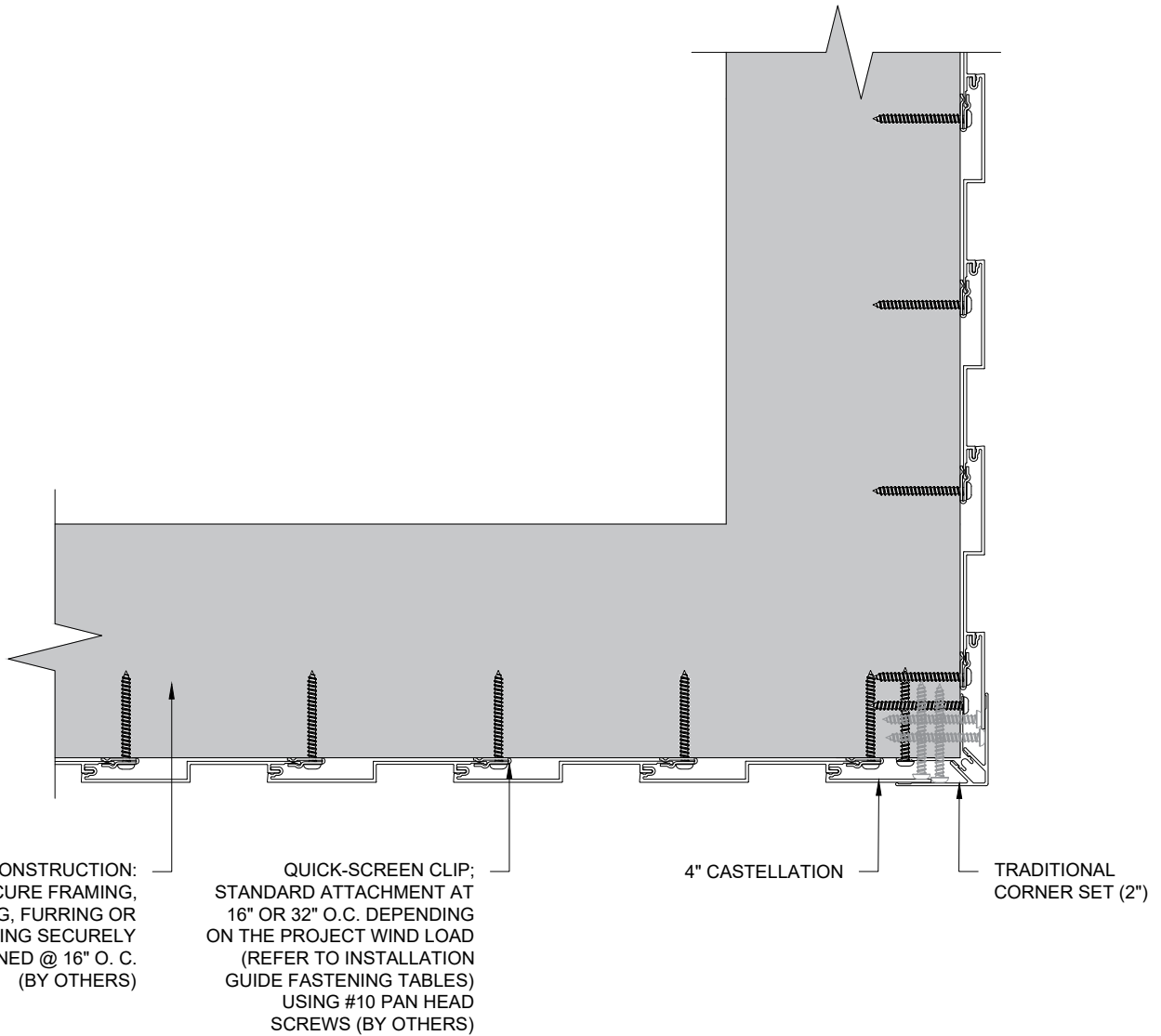
For complete installation instructions refer to the appropriate documentation here [www.longboardproducts.com/resources/technical-documentation/installation-guides](http://www.longboardproducts.com/resources/technical-documentation/installation-guides)

## BOTTOM OF THE WALL DETAIL 4" CASTELLATION WITH LINK & LOCK™

SCALE 1:4



ISSUE DATE: 2026-04-10

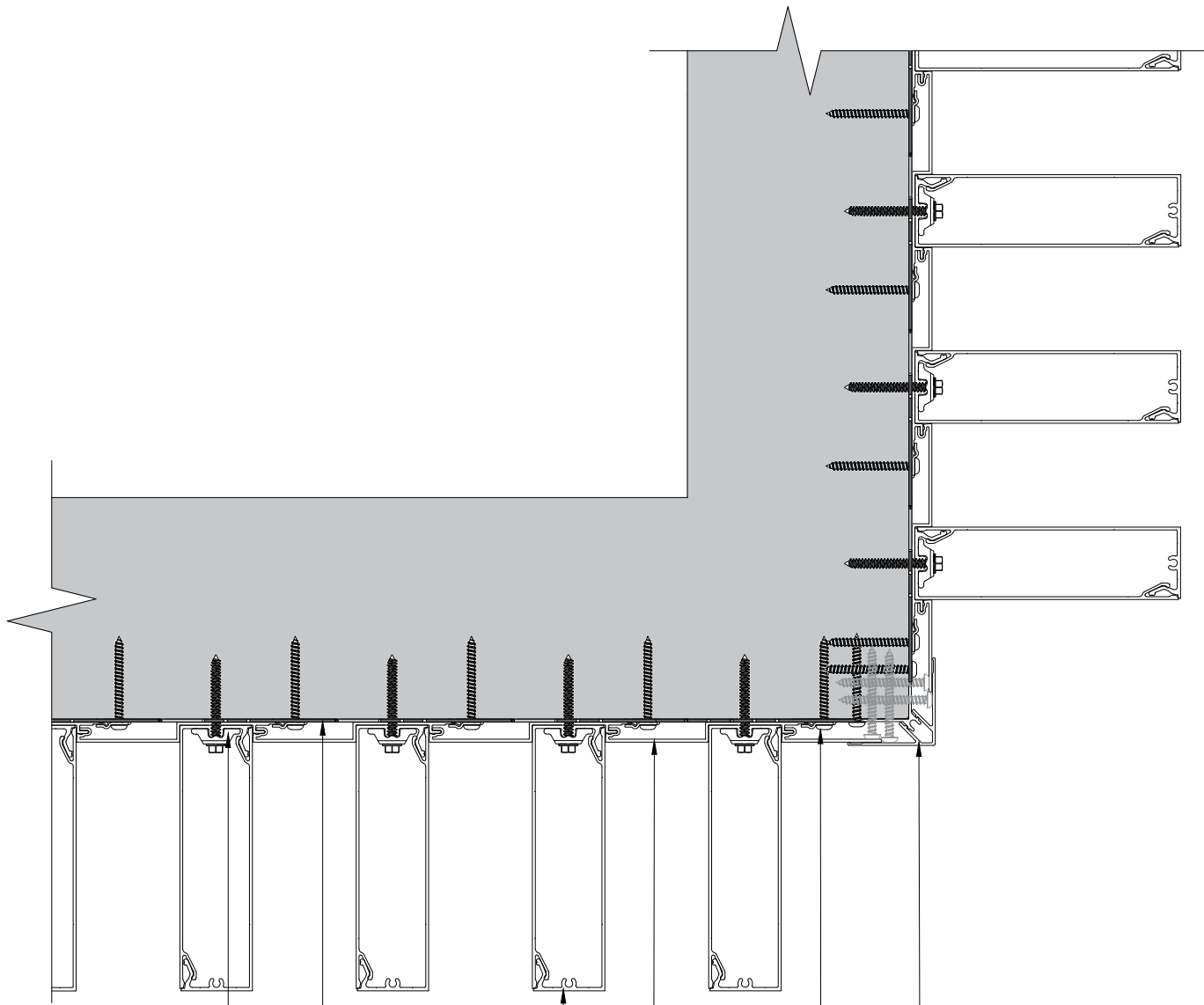


These drawings are published as an information guide only. These CAD drawings are intended as templates to assist the designer, they do not contain the full detail required for construction and must be read in conjunction with the installation instructions on [www.longboardproducts.com](http://www.longboardproducts.com). You should obtain architectural, engineering or other technical advice to assess the suitability of these drawings to the requirements of your particular project.  
Longboard Architectural Products accepts no liability in respect to the use of these drawings.  
For complete installation instructions refer to the appropriate documentation here [www.longboardproducts.com/resources/technical-documentation/installation-guides](http://www.longboardproducts.com/resources/technical-documentation/installation-guides)

## OUTSIDE CORNER DETAIL 4" CASTELLATION

SCALE 1:4





LINK & LOCK MOUNTING CLIP

U-SHIM (1/16")

6" LINK & LOCK™

4" CASTELLATION

TRADITIONAL  
CORNER SET (2")

QUICK-SCREEN CLIP;  
STANDARD ATTACHMENT AT 16" OR 32" O.C.  
DEPENDING ON THE PROJECT WIND LOAD (REFER  
TO INSTALLATION GUIDE FASTENING TABLES)  
USING #10 PAN HEAD SCREWS (BY OTHERS)

These drawings are published as an information guide only. These CAD drawings are intended as templates to assist the designer, they do not contain the full detail required for construction and must be read in conjunction with the installation instructions on [www.longboardproducts.com](http://www.longboardproducts.com). You should obtain architectural, engineering or other technical advice to assess the suitability of these drawings to the requirements of your particular project.

Longboard Architectural Products accepts no liability in respect to the use of these drawings.

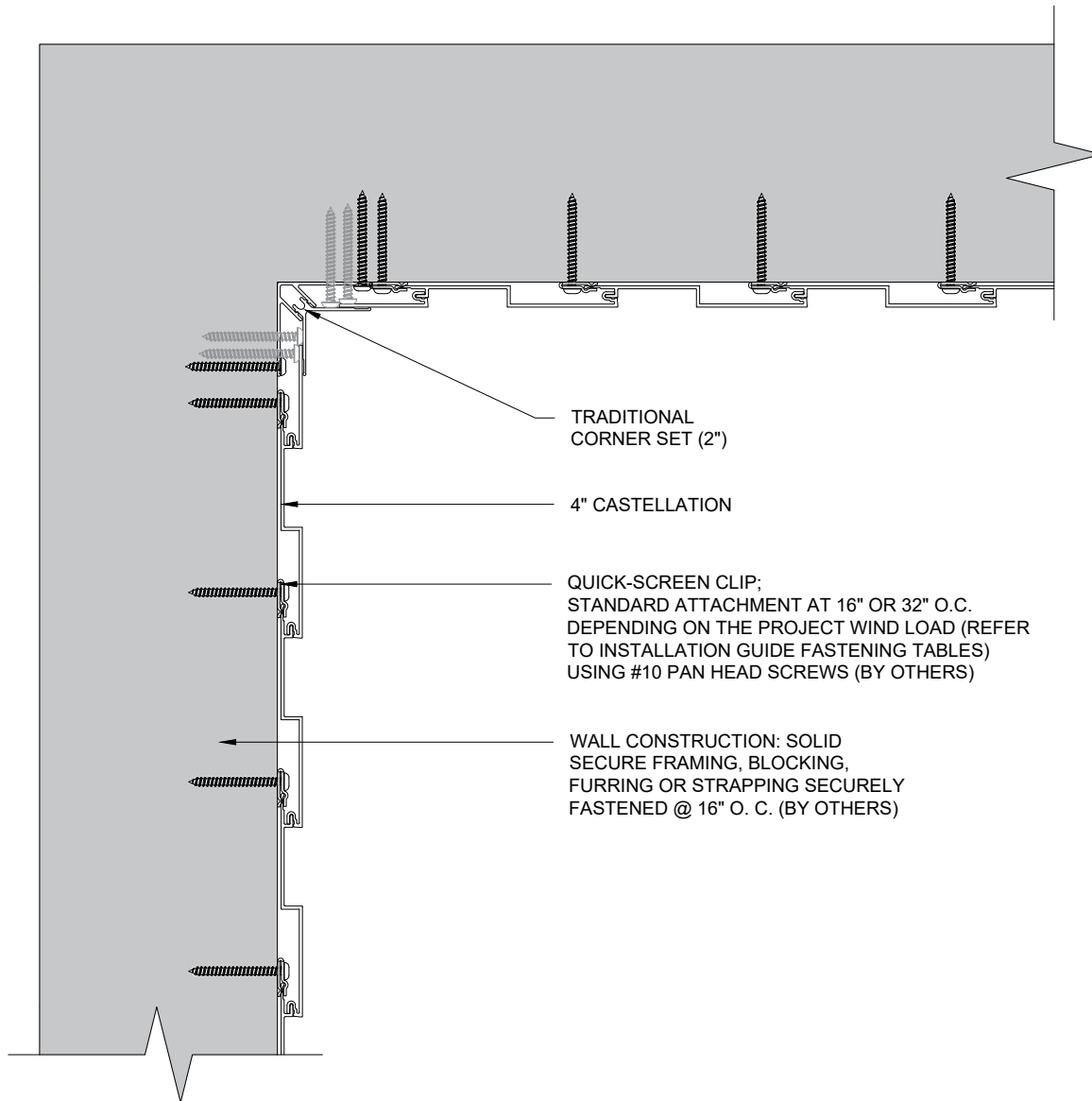
For complete installation instructions refer to the appropriate documentation here [www.longboardproducts.com/resources/technical-documentation/installation-guides](http://www.longboardproducts.com/resources/technical-documentation/installation-guides)

## OUTSIDE CORNER DETAIL 4" CASTELLATION WITH LINK & LOCK™

SCALE 1:4



ISSUE DATE: 2026-04-10



TRADITIONAL  
CORNER SET (2")

4" CASTELLATION

QUICK-SCREEN CLIP:  
STANDARD ATTACHMENT AT 16" OR 32" O.C.  
DEPENDING ON THE PROJECT WIND LOAD (REFER  
TO INSTALLATION GUIDE FASTENING TABLES)  
USING #10 PAN HEAD SCREWS (BY OTHERS)

WALL CONSTRUCTION: SOLID  
SECURE FRAMING, BLOCKING,  
FURRING OR STRAPPING SECURELY  
FASTENED @ 16" O. C. (BY OTHERS)

These drawings are published as an information guide only. These CAD drawings are intended as templates to assist the designer, they do not contain the full detail required for construction and must be read in conjunction with the installation instructions on [www.longboardproducts.com](http://www.longboardproducts.com). You should obtain architectural, engineering or other technical advice to assess the suitability of these drawings to the requirements of your particular project.

Longboard Architectural Products accepts no liability in respect to the use of these drawings.

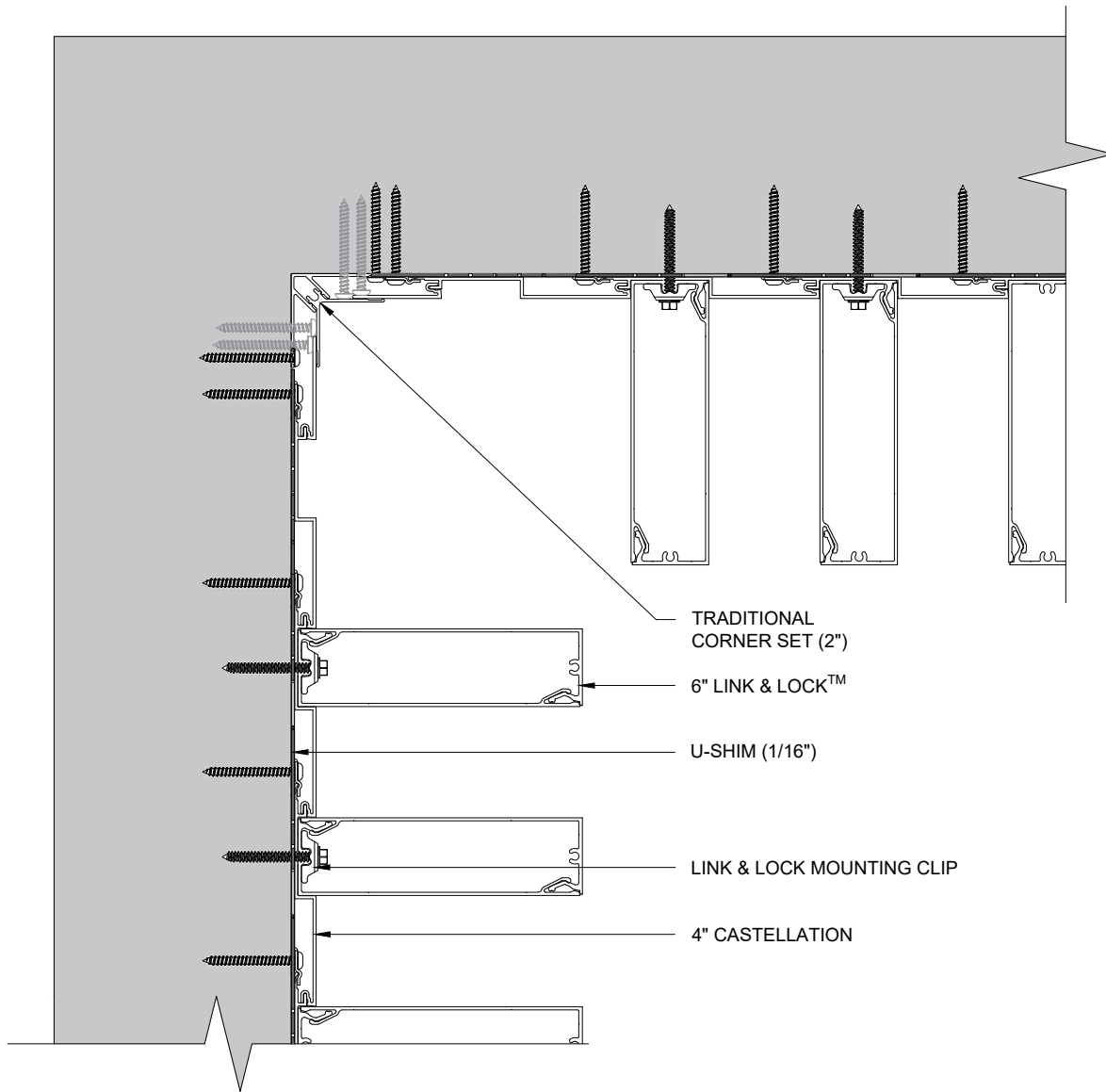
For complete installation instructions refer to the appropriate documentation here [www.longboardproducts.com/resources/technical-documentation/installation-guides](http://www.longboardproducts.com/resources/technical-documentation/installation-guides)

## INSIDE CORNER DETAIL 4" CASTELLATION

SCALE 1:4



ISSUE DATE: 2026-04-10



TRADITIONAL  
CORNER SET (2")

6" LINK & LOCK™

U-SHIM (1/16")

LINK & LOCK MOUNTING CLIP

4" CASTELLATION

These drawings are published as an information guide only. These CAD drawings are intended as templates to assist the designer, they do not contain the full detail required for construction and must be read in conjunction with the installation instructions on [www.longboardproducts.com](http://www.longboardproducts.com). You should obtain architectural, engineering or other technical advice to assess the suitability of these drawings to the requirements of your particular project.

Longboard Architectural Products accepts no liability in respect to the use of these drawings.

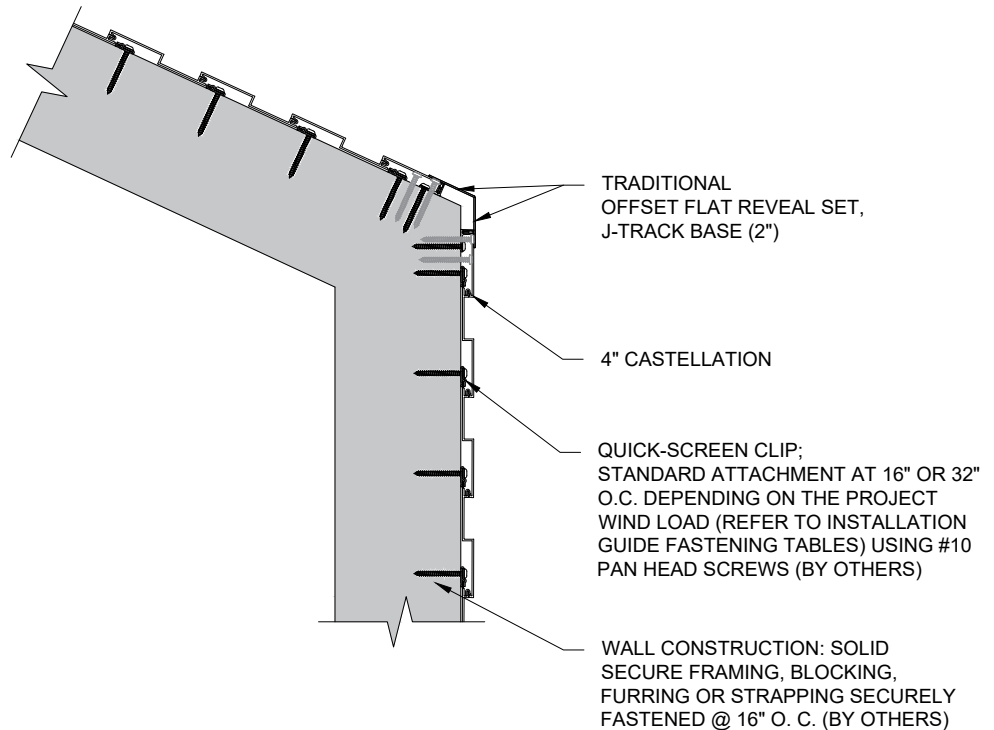
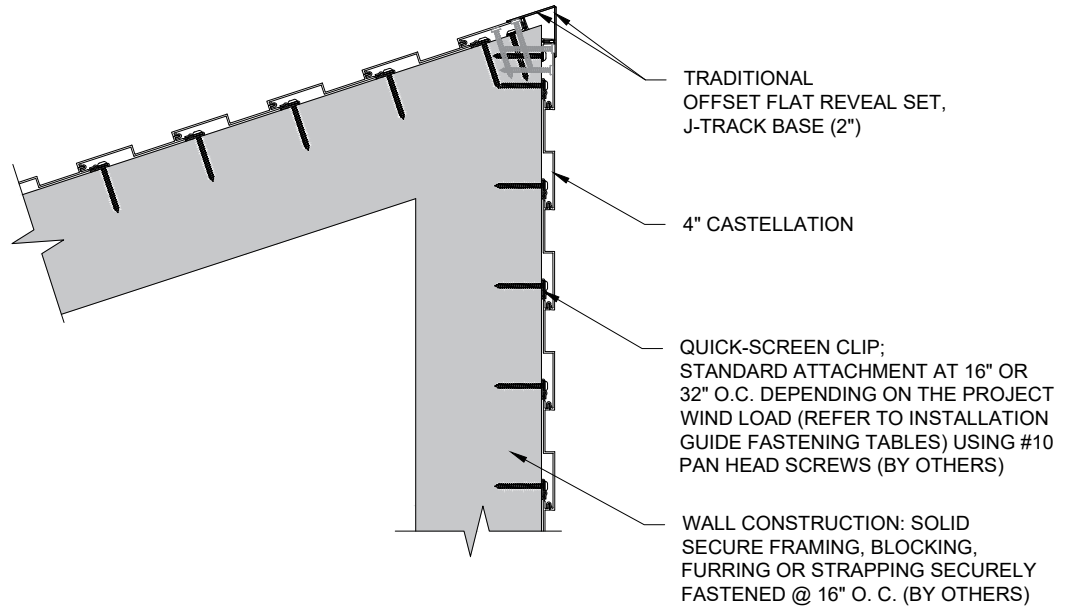
For complete installation instructions refer to the appropriate documentation here [www.longboardproducts.com/resources/technical-documentation/installation-guides](http://www.longboardproducts.com/resources/technical-documentation/installation-guides)

## INSIDE CORNER DETAIL 4" CASTELLATION WITH LINK & LOCK™

SCALE 1:4



ISSUE DATE: 2026-04-10



These drawings are published as an information guide only. These CAD drawings are intended as templates to assist the designer, they do not contain the full detail required for construction and must be read in conjunction with the installation instructions on [www.longboardproducts.com](http://www.longboardproducts.com). You should obtain architectural, engineering or other technical advice to assess the suitability of these drawings to the requirements of your particular project.

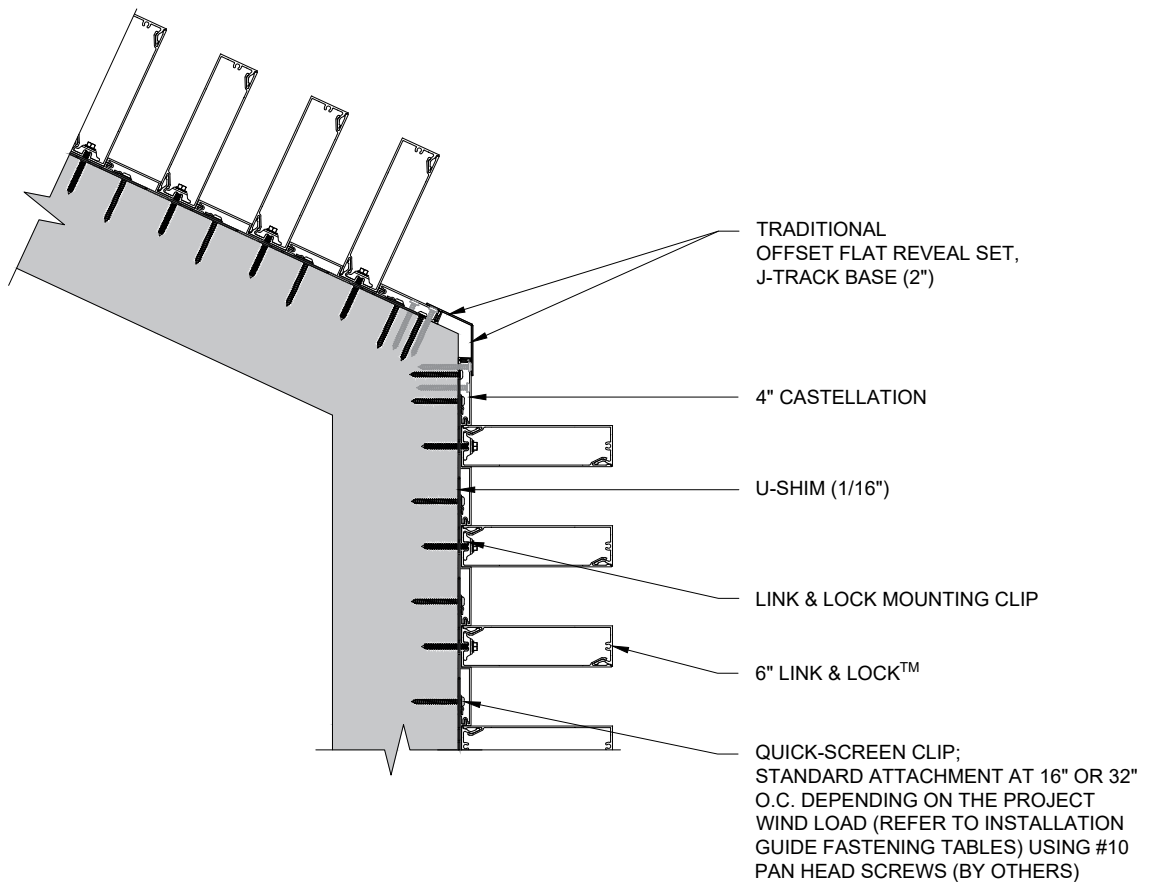
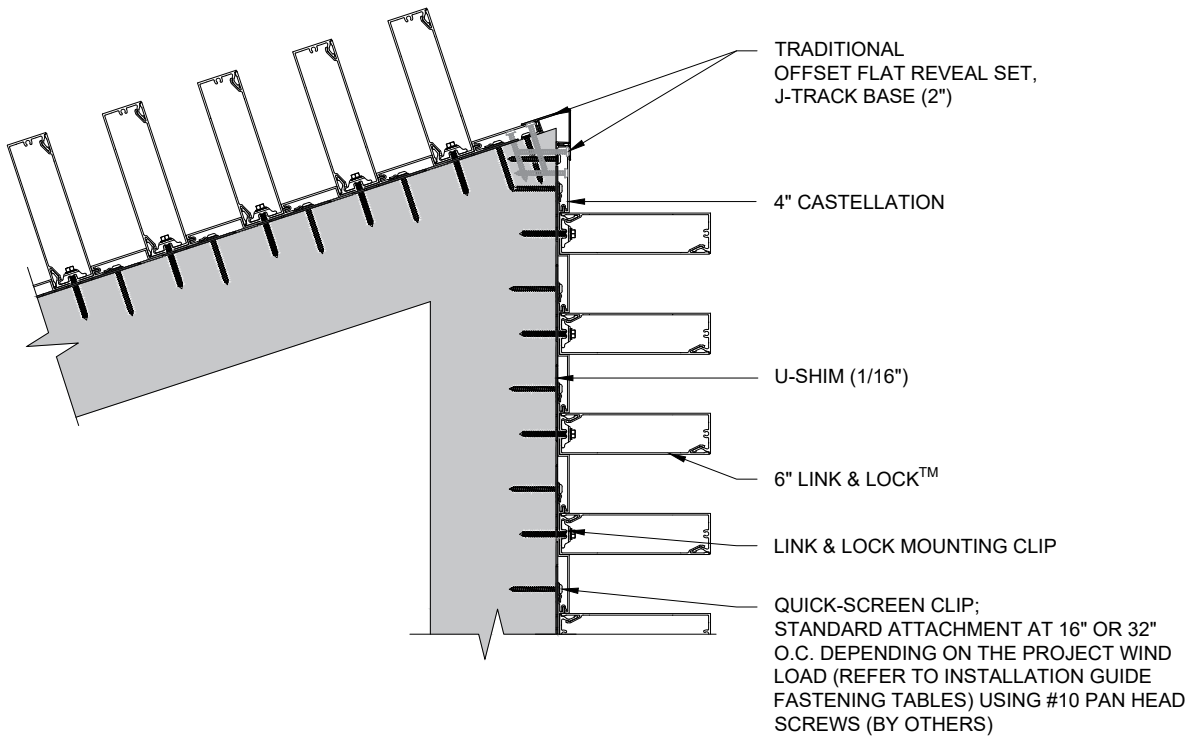
Longboard Architectural Products accepts no liability in respect to the use of these drawings.

For complete installation instructions refer to the appropriate documentation here [www.longboardproducts.com/resources/technical-documentation/installation-guides](http://www.longboardproducts.com/resources/technical-documentation/installation-guides)

## NON 90 DEGREE CORNER DETAIL 4" CASTELLATION

SCALE 1:8





These drawings are published as an information guide only. These CAD drawings are intended as templates to assist the designer, they do not contain the full detail required for construction and must be read in conjunction with the installation instructions on [www.longboardproducts.com](http://www.longboardproducts.com). You should obtain architectural, engineering or other technical advice to assess the suitability of these drawings to the requirements of your particular project.

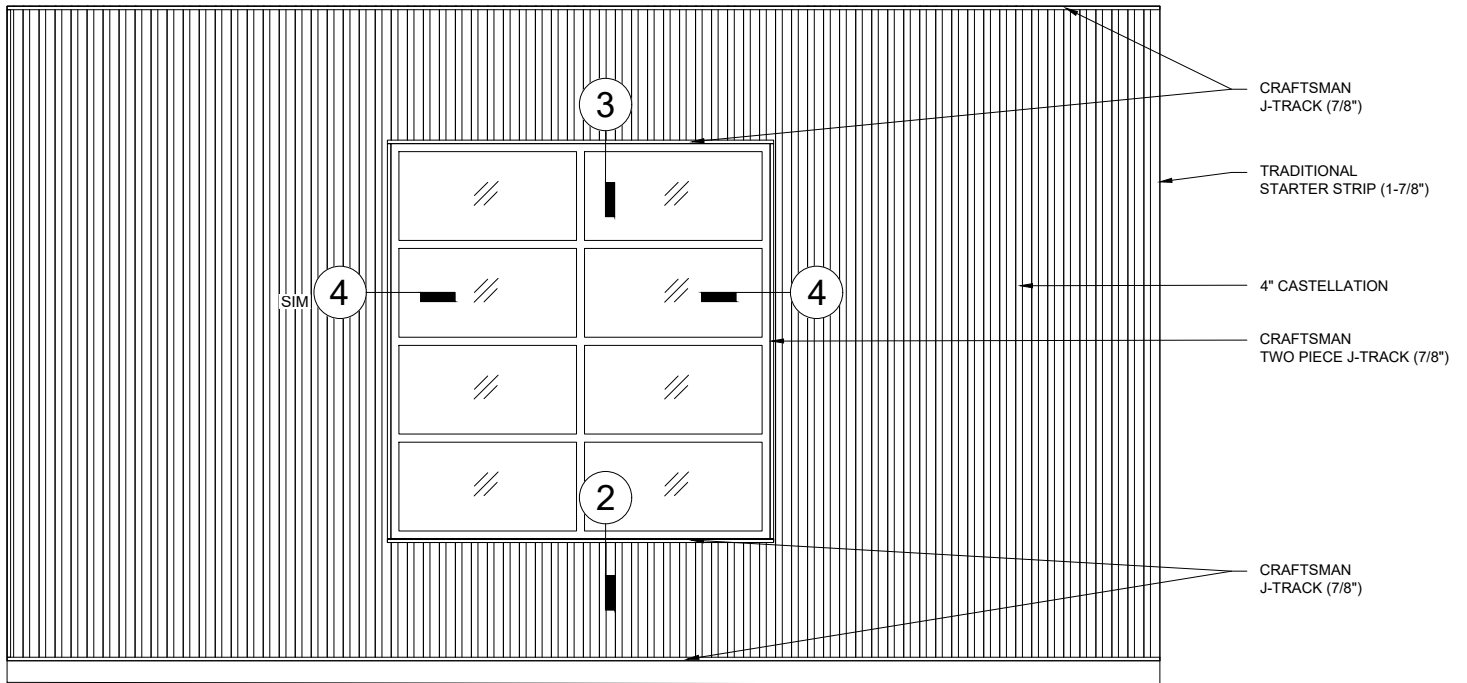
Longboard Architectural Products accepts no liability in respect to the use of these drawings.

For complete installation instructions refer to the appropriate documentation here [www.longboardproducts.com/resources/technical-documentation/installation-guides](http://www.longboardproducts.com/resources/technical-documentation/installation-guides)

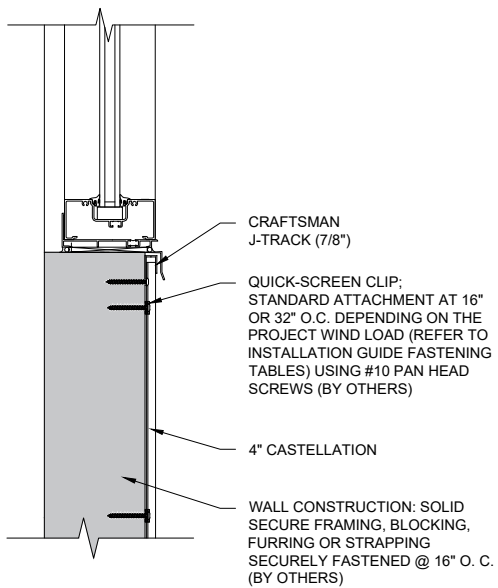
## NON 90 DEGREE CORNER DETAIL 4" CASTELLATION WITH LINK & LOCK™

SCALE 1:8

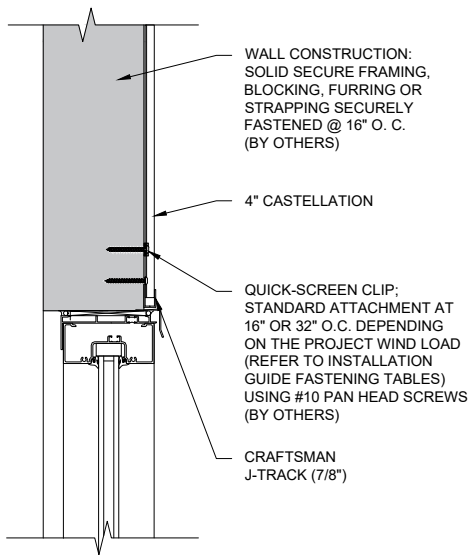




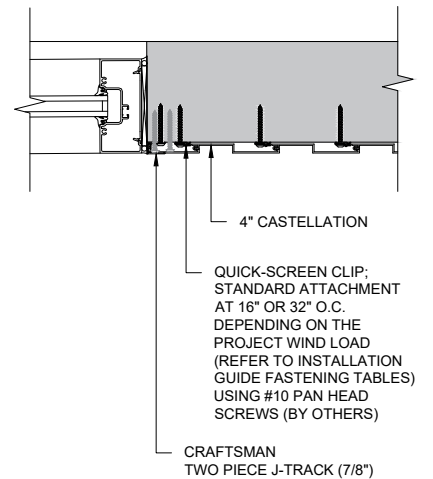
**1** WALL ELEVATION  
SCALE: 1:50



**2** WINDOW SILL DETAIL  
SCALE: 1:10



**3** WINDOW HEAD DETAIL  
SCALE: 1:10



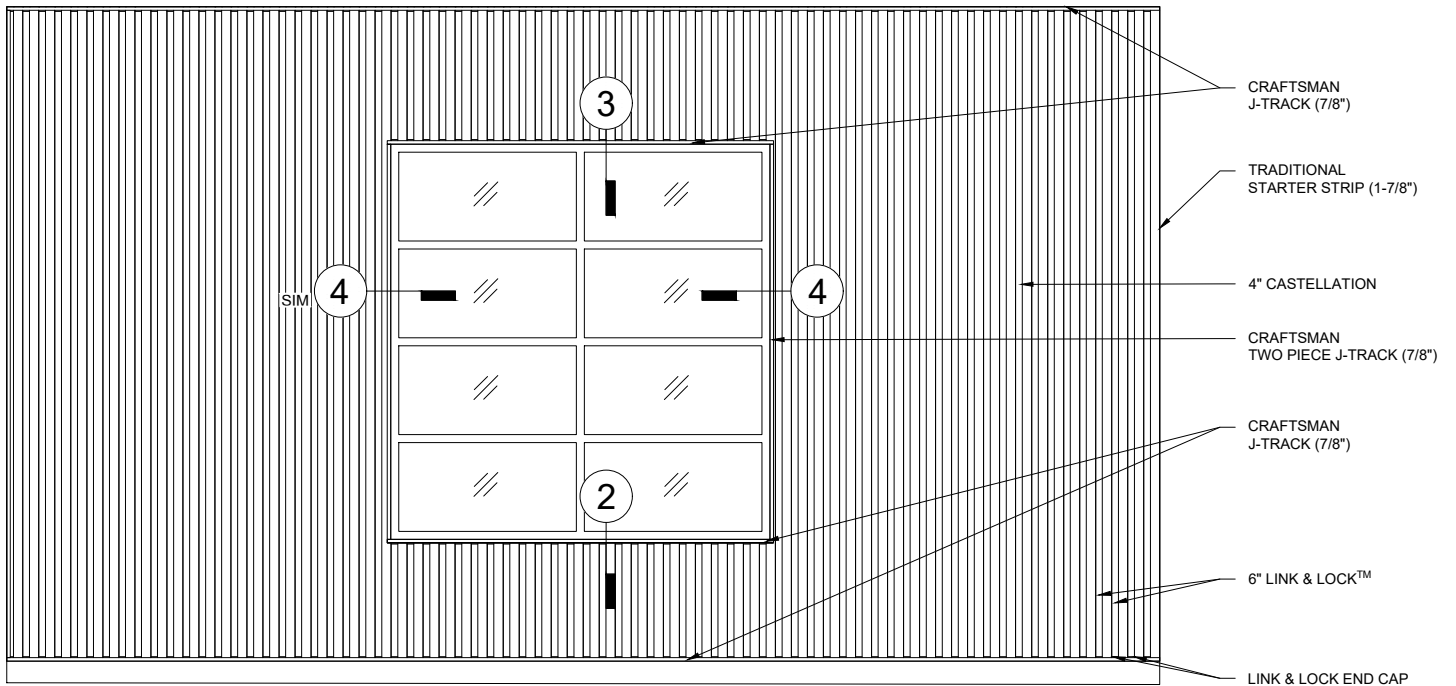
**4** WINDOW JAMB DETAIL  
SCALE: 1:10

These drawings are published as an information guide only. These CAD drawings are intended as templates to assist the designer, they do not contain the full detail required for construction and must be read in conjunction with the installation instructions on [www.longboardproducts.com](http://www.longboardproducts.com). You should obtain architectural, engineering or other technical advice to assess the suitability of these drawings to the requirements of your particular project. Longboard Architectural Products accepts no liability in respect to the use of these drawings. For complete installation instructions refer to the appropriate documentation here [www.longboardproducts.com/resources/technical-documentation/installation-guides](http://www.longboardproducts.com/resources/technical-documentation/installation-guides)

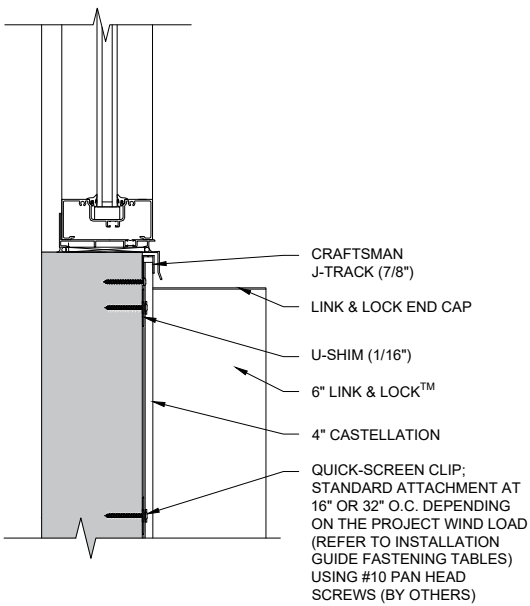
## TRIMS @ WINDOW DETAIL 4" CASTELLATION

SCALE: AS INDICATED

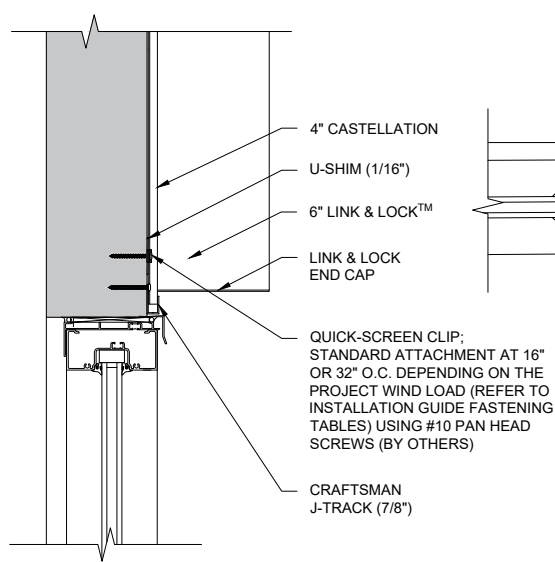




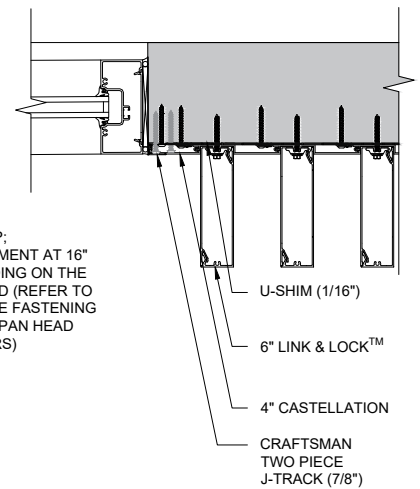
**1 WALL ELEVATION**  
SCALE: 1:50



**2 WINDOW SILL DETAIL**  
SCALE: 1:10



**3 WINDOW HEAD DETAIL**  
SCALE: 1:10



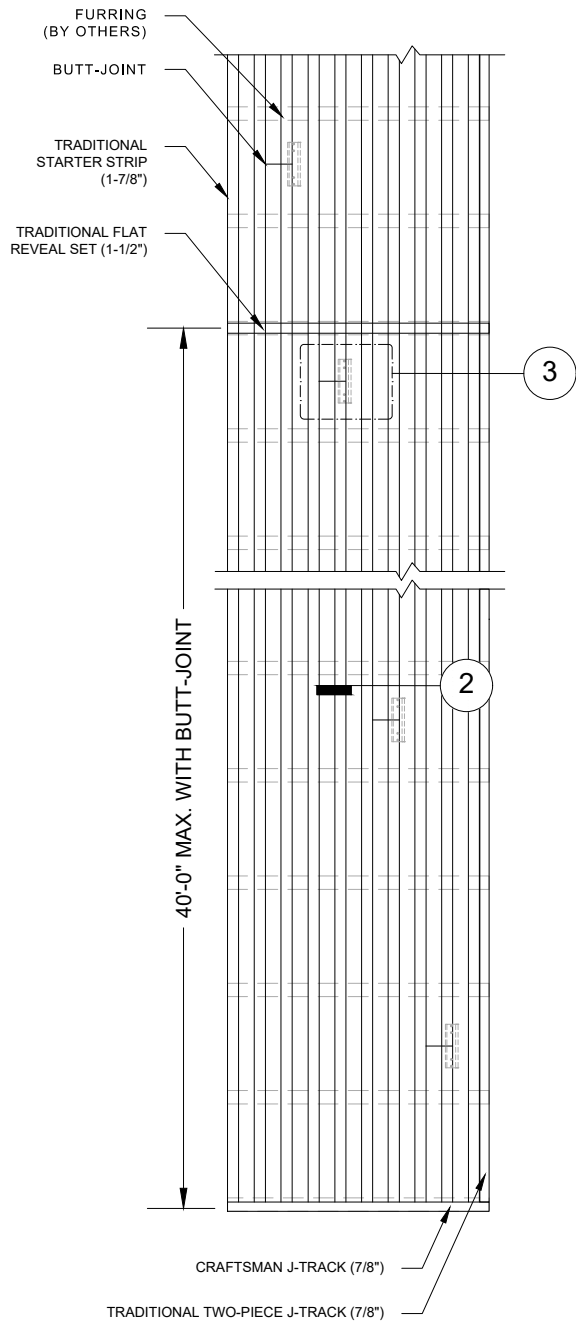
**4 WINDOW JAMB DETAIL**  
SCALE: 1:10

These drawings are published as an information guide only. These CAD drawings are intended as templates to assist the designer, they do not contain the full detail required for construction and must be read in conjunction with the installation instructions on [www.longboardproducts.com](http://www.longboardproducts.com). You should obtain architectural, engineering or other technical advice to assess the suitability of these drawings to the requirements of your particular project. Longboard Architectural Products accepts no liability in respect to the use of these drawings. For complete installation instructions refer to the appropriate documentation here [www.longboardproducts.com/resources/technical-documentation/installation-guides](http://www.longboardproducts.com/resources/technical-documentation/installation-guides)

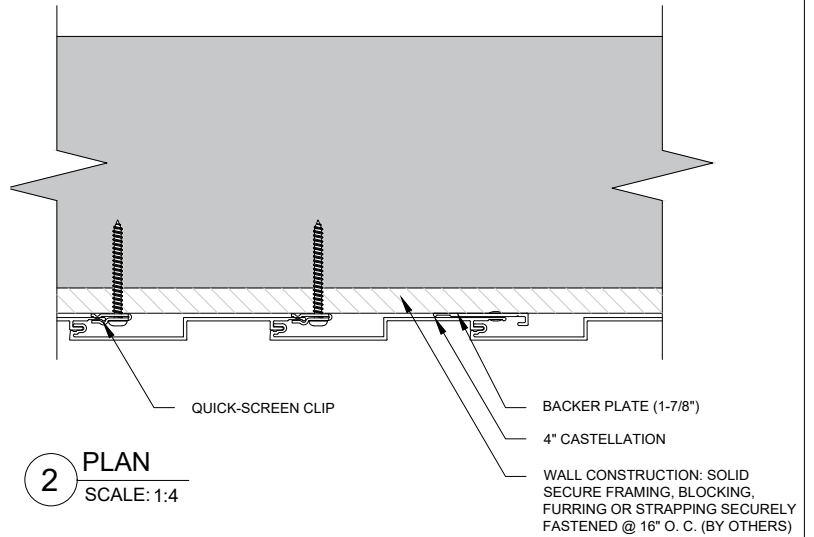
## TRIMS @ WINDOW DETAIL 4" CASTELLATION WITH LINK & LOCK™

SCALE: AS INDICATED

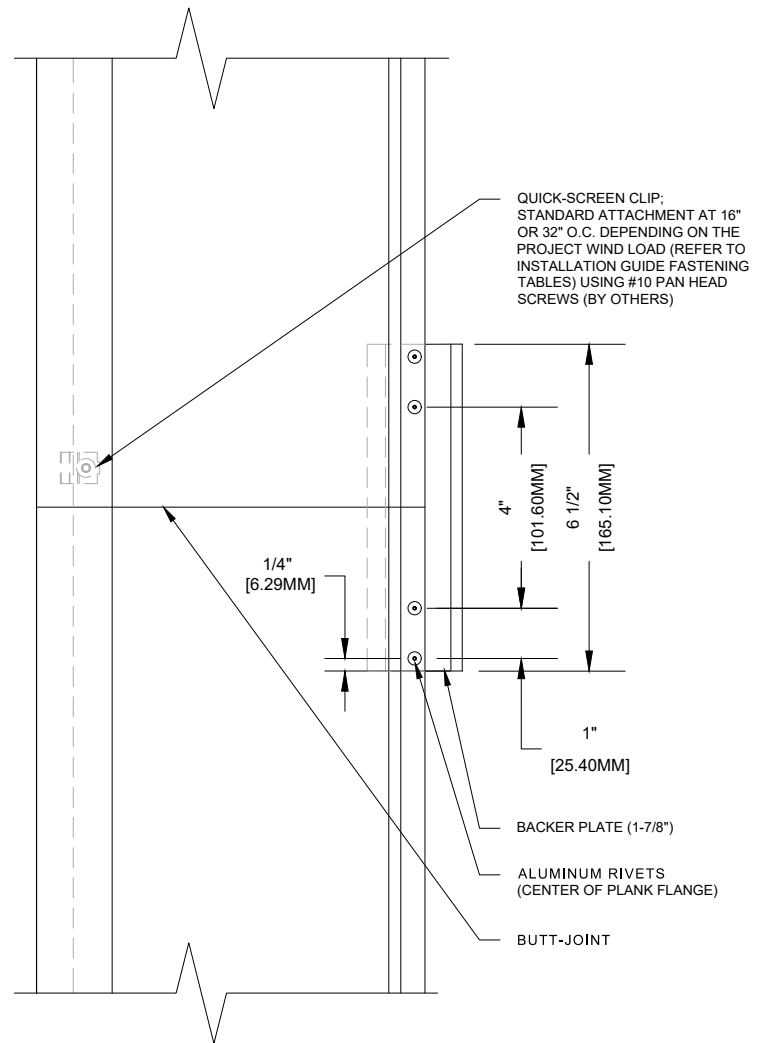




**1** ELEVATION  
SCALE: 1:30



**2** PLAN  
SCALE: 1:4



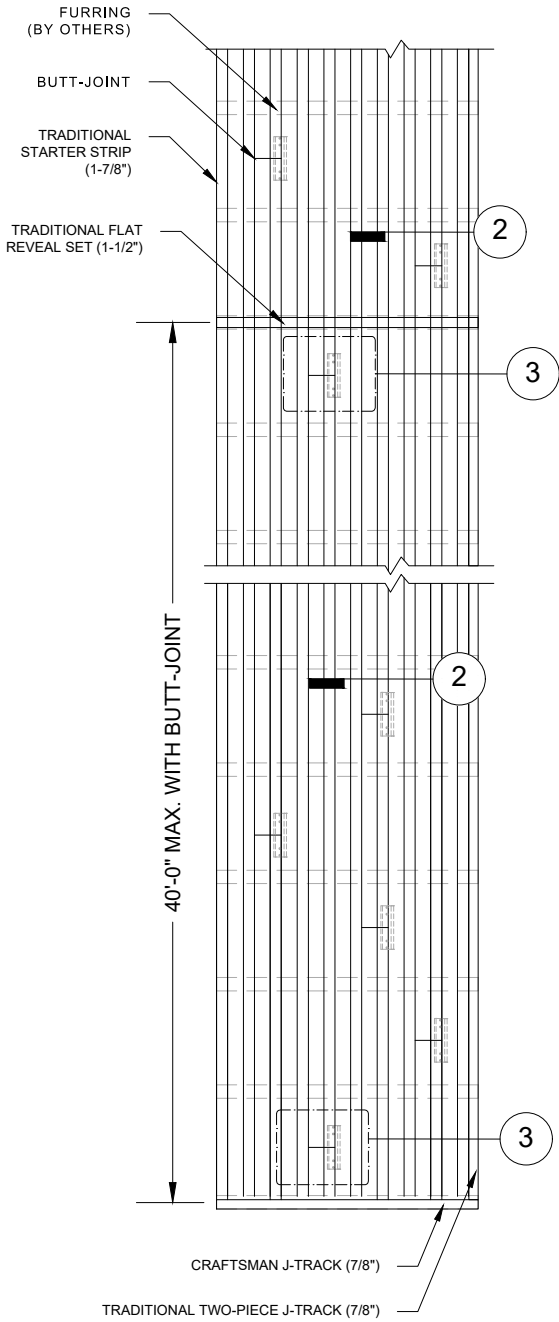
**3** ENLARGED ELEVATION @ BUTT JOINT  
SCALE: 1:4

These drawings are published as an information guide only. These CAD drawings are intended as templates to assist the designer, they do not contain the full detail required for construction and must be read in conjunction with the installation instructions on [www.longboardproducts.com](http://www.longboardproducts.com). You should obtain architectural, engineering or other technical advice to assess the suitability of these drawings to the requirements of your particular project. Longboard Architectural Products accepts no liability in respect to the use of these drawings. For complete installation instructions refer to the appropriate documentation here [www.longboardproducts.com/resources/technical-documentation/installation-guides](http://www.longboardproducts.com/resources/technical-documentation/installation-guides)

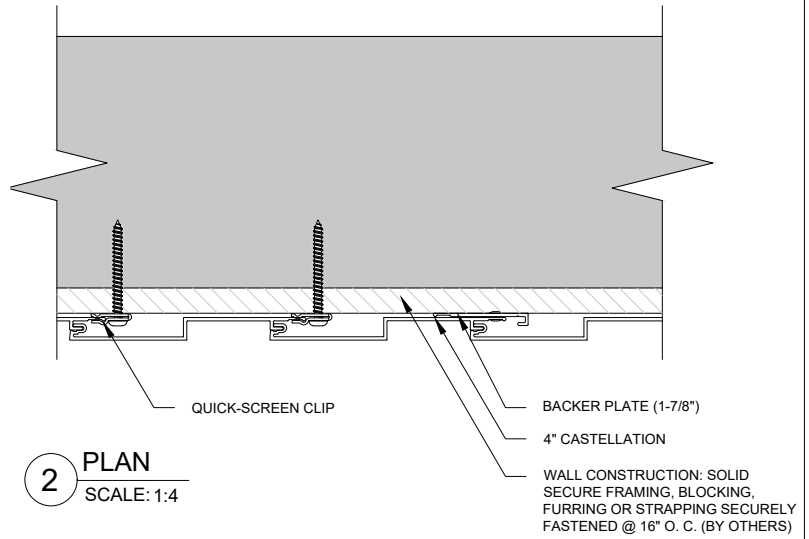
## SINGLE BUTT-JOINT DETAIL 4" CASTELLATION

SCALE: AS INDICATED

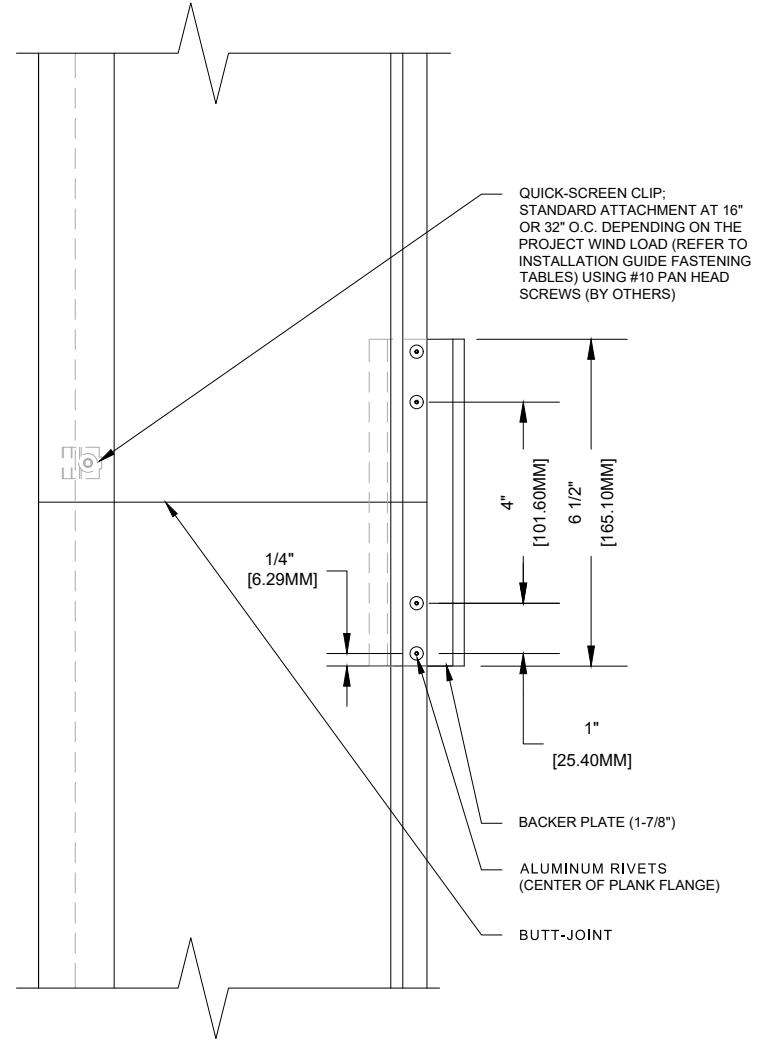




**1 ELEVATION**  
SCALE: 1:30



**2 PLAN**  
SCALE: 1:4



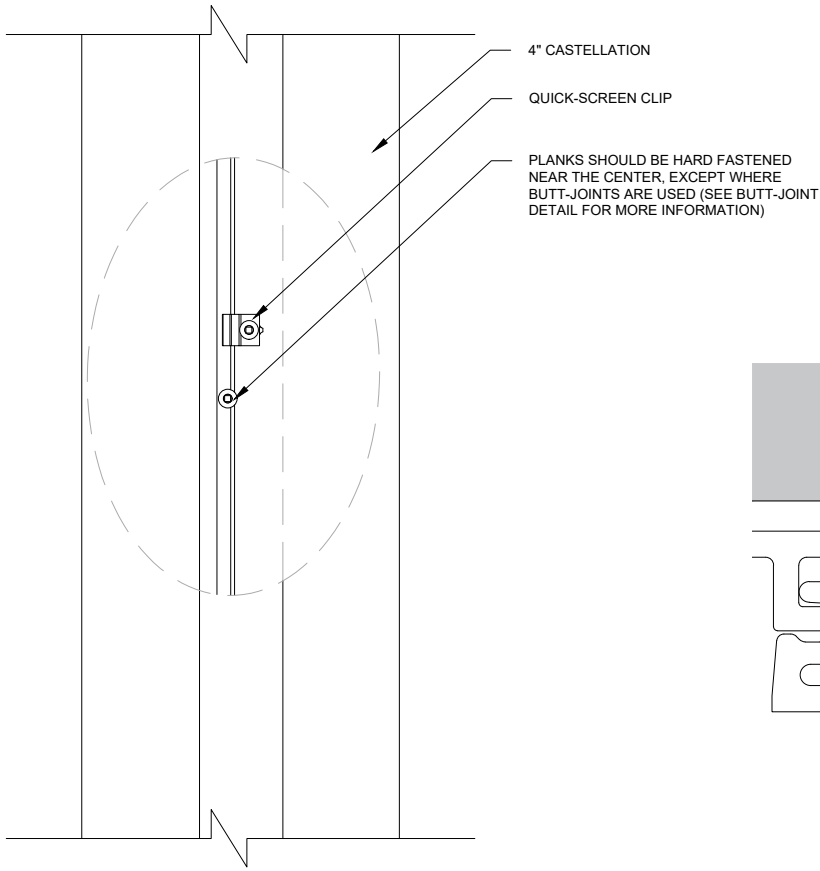
**3 ENLARGED ELEVATION @ BUTT JOINT**  
SCALE: 1:4

These drawings are published as an information guide only. These CAD drawings are intended as templates to assist the designer, they do not contain the full detail required for construction and must be read in conjunction with the installation instructions on [www.longboardproducts.com](http://www.longboardproducts.com). You should obtain architectural, engineering or other technical advice to assess the suitability of these drawings to the requirements of your particular project. Longboard Architectural Products accepts no liability in respect to the use of these drawings. For complete installation instructions refer to the appropriate documentation here [www.longboardproducts.com/resources/technical-documentation/installation-guides](http://www.longboardproducts.com/resources/technical-documentation/installation-guides)

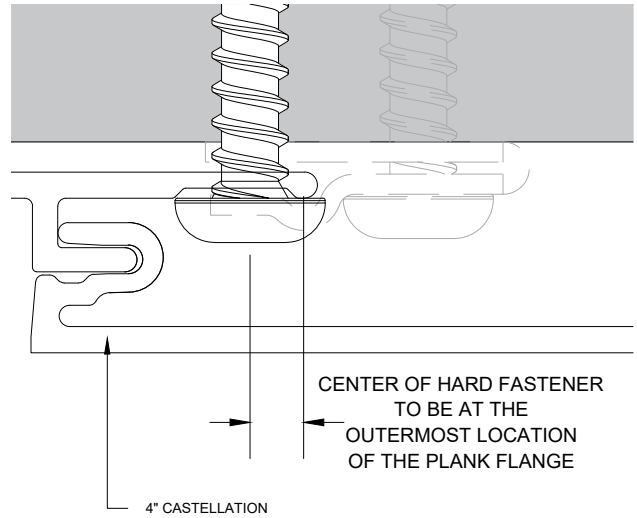
## MULTIPLE FLOATING BUTT-JOINT DETAIL 4" CASTELLATION

SCALE: AS INDICATED

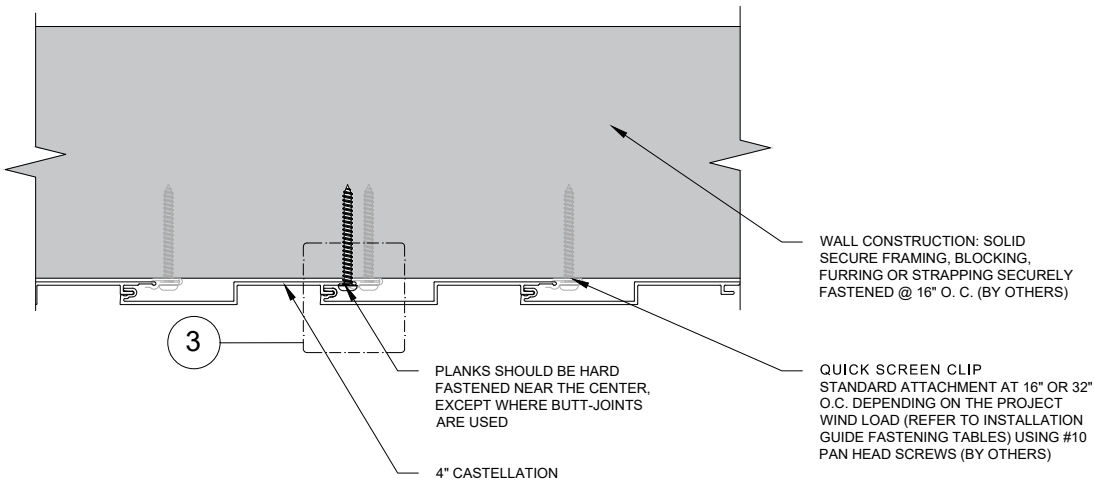




**2 ELEVATION**  
SCALE: 1:4



**3 ENLARGED DETAIL**  
SCALE: 2:1



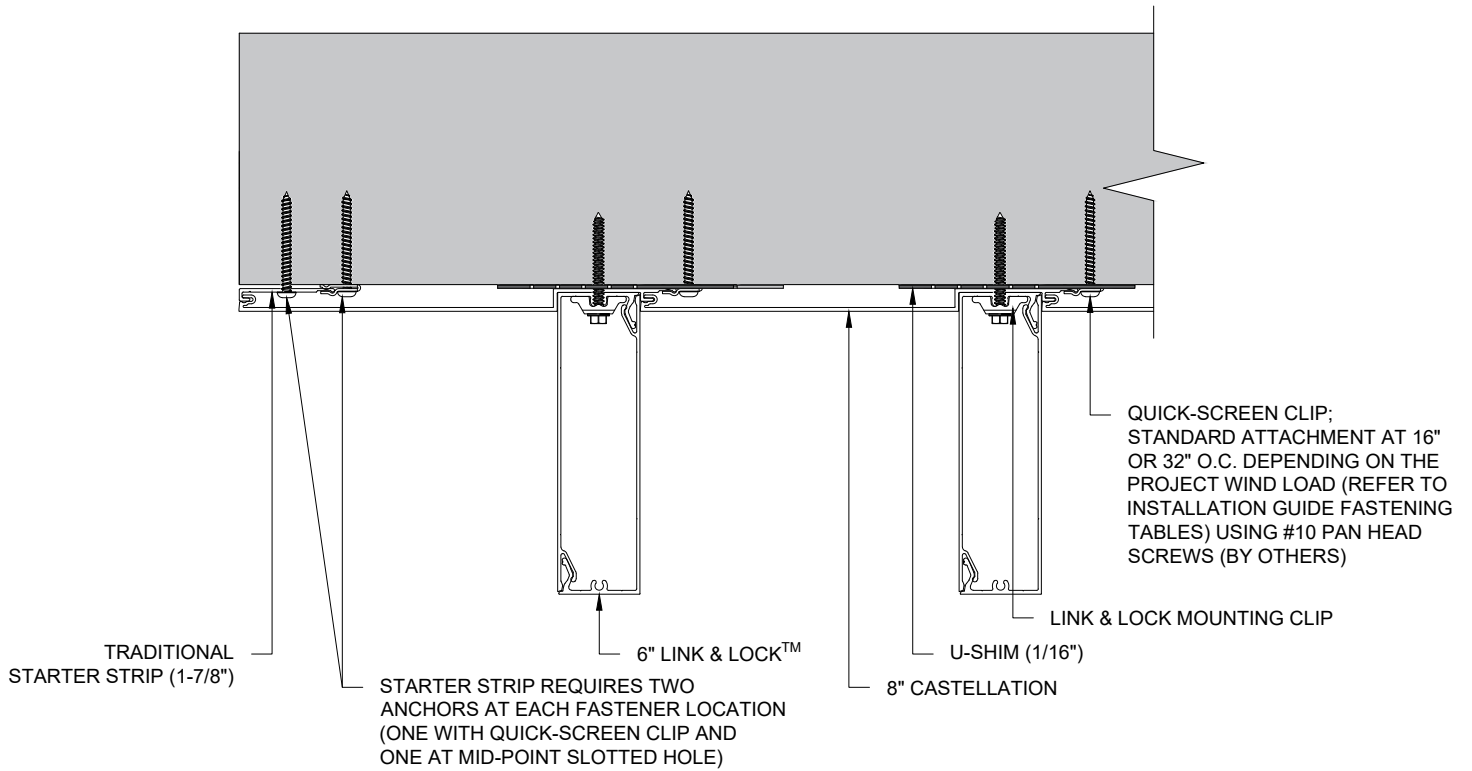
**1 PLAN**  
SCALE: 1:4

These drawings are published as an information guide only. These CAD drawings are intended as templates to assist the designer, they do not contain the full detail required for construction and must be read in conjunction with the installation instructions on [www.longboardproducts.com](http://www.longboardproducts.com). You should obtain architectural, engineering or other technical advice to assess the suitability of these drawings to the requirements of your particular project. Longboard Architectural Products accepts no liability in respect to the use of these drawings. For complete installation instructions refer to the appropriate documentation here [www.longboardproducts.com/resources/technical-documentation/installation-guides](http://www.longboardproducts.com/resources/technical-documentation/installation-guides)

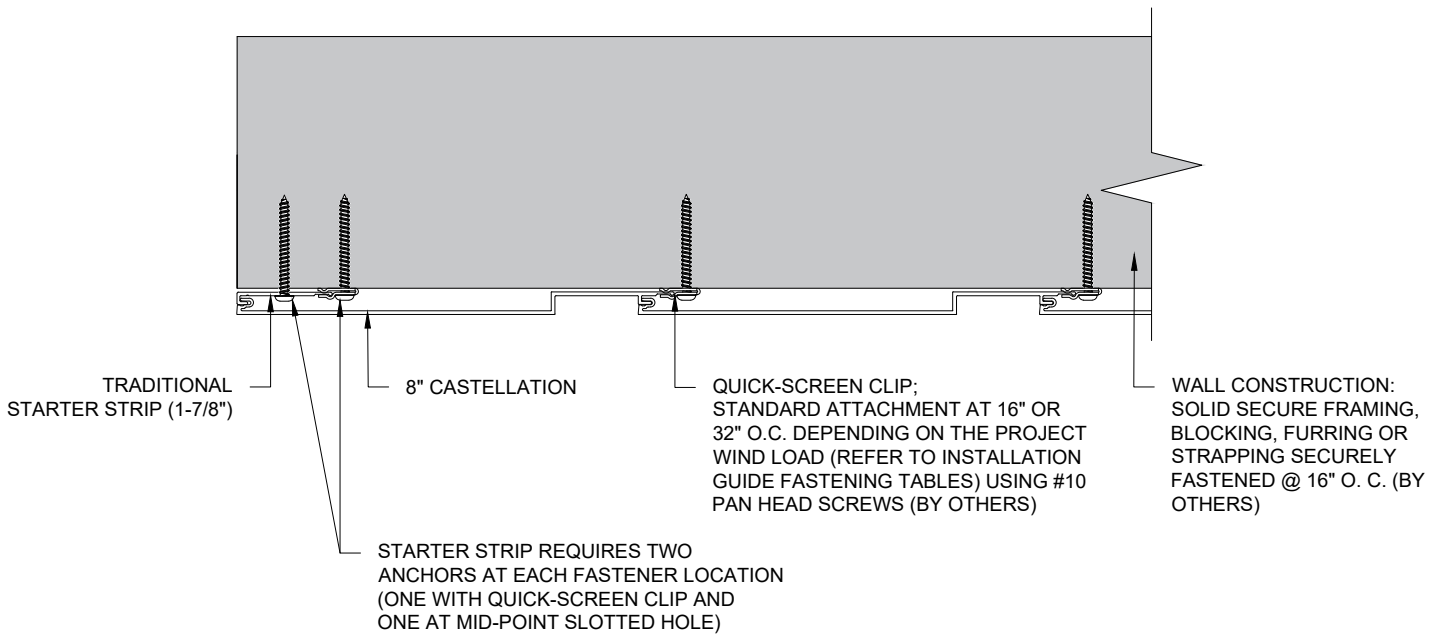
## HARD FASTENING DETAIL 4" CASTELLATION

SCALE: AS INDICATED





8" CASTELLATION WITH LINK & LOCK™



8" CASTELLATION

These drawings are published as an information guide only. These CAD drawings are intended as templates to assist the designer, they do not contain the full detail required for construction and must be read in conjunction with the installation instructions on [www.longboardproducts.com](http://www.longboardproducts.com). You should obtain architectural, engineering or other technical advice to assess the suitability of these drawings to the requirements of your particular project.

Longboard Architectural Products accepts no liability in respect to the use of these drawings.

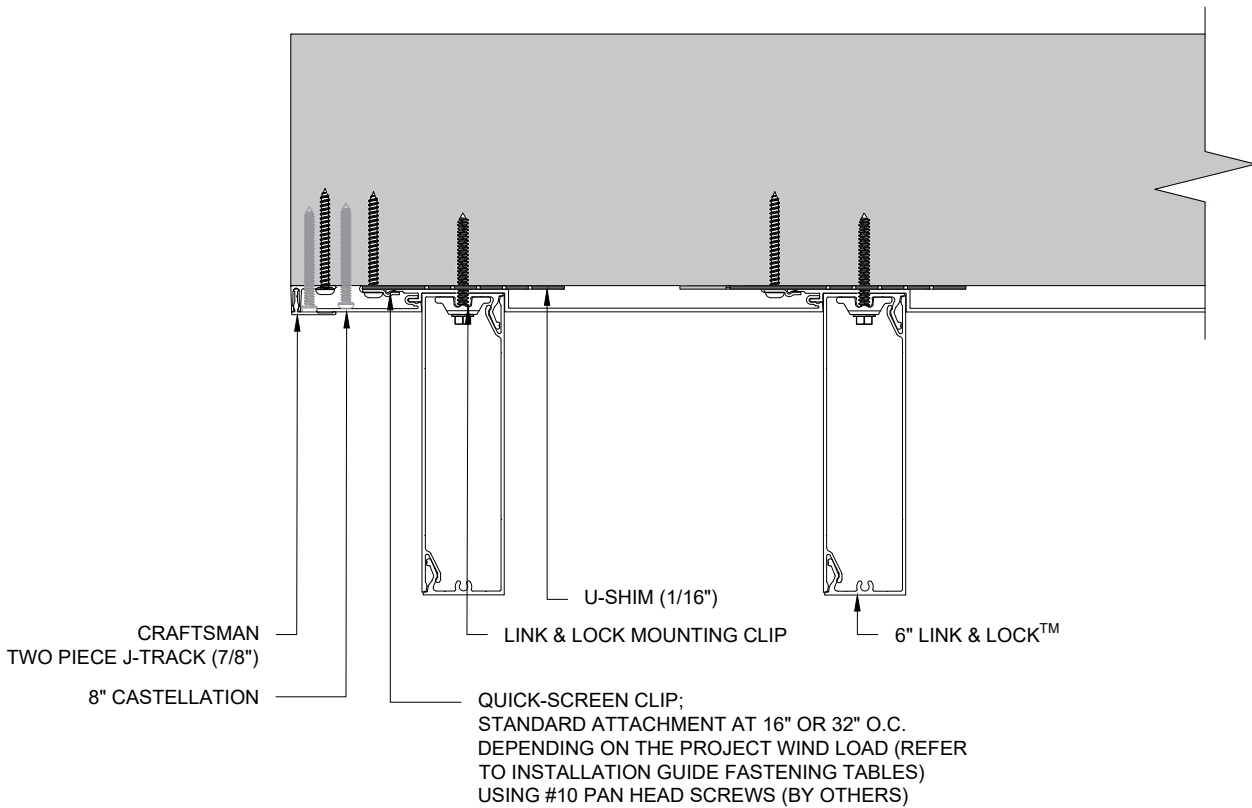
For complete installation instructions refer to the appropriate documentation here [www.longboardproducts.com/resources/technical-documentation/installation-guides](http://www.longboardproducts.com/resources/technical-documentation/installation-guides)

## START OF THE WALL DETAIL 8" CASTELLATION

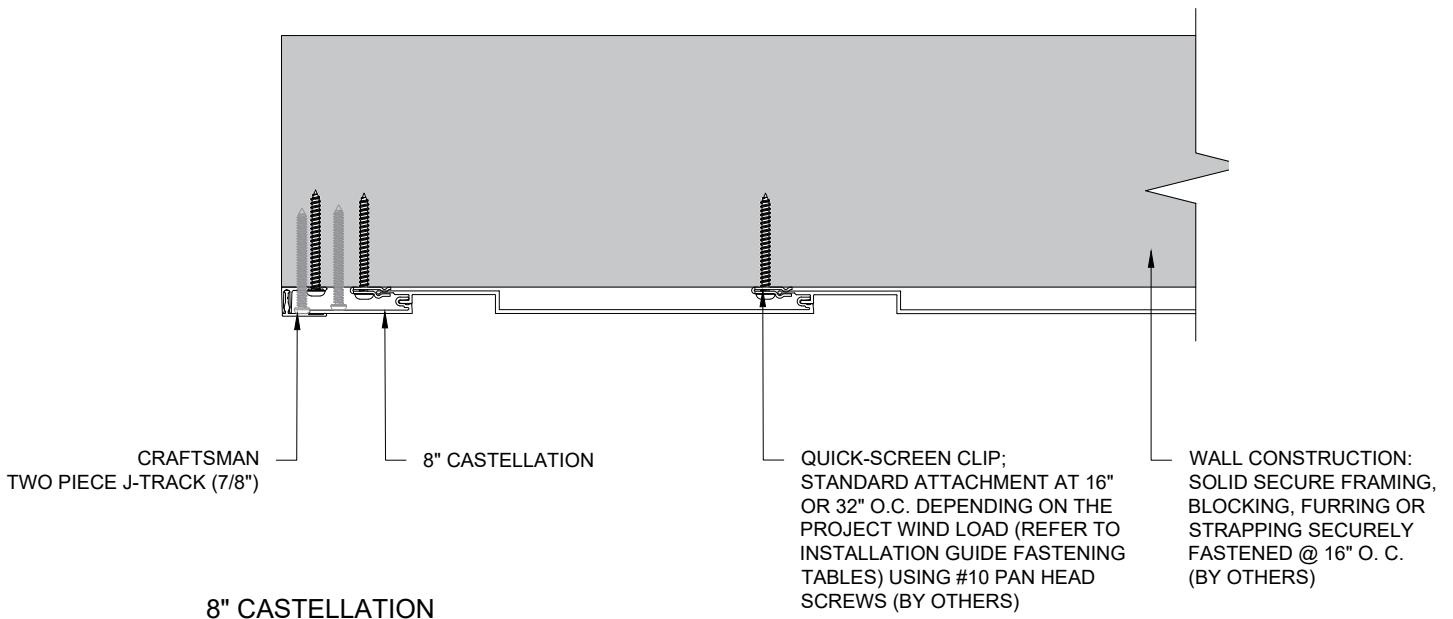
SCALE 1:4



ISSUE DATE: 2026-04-10



8" CASTELLATION WITH LINK & LOCK™



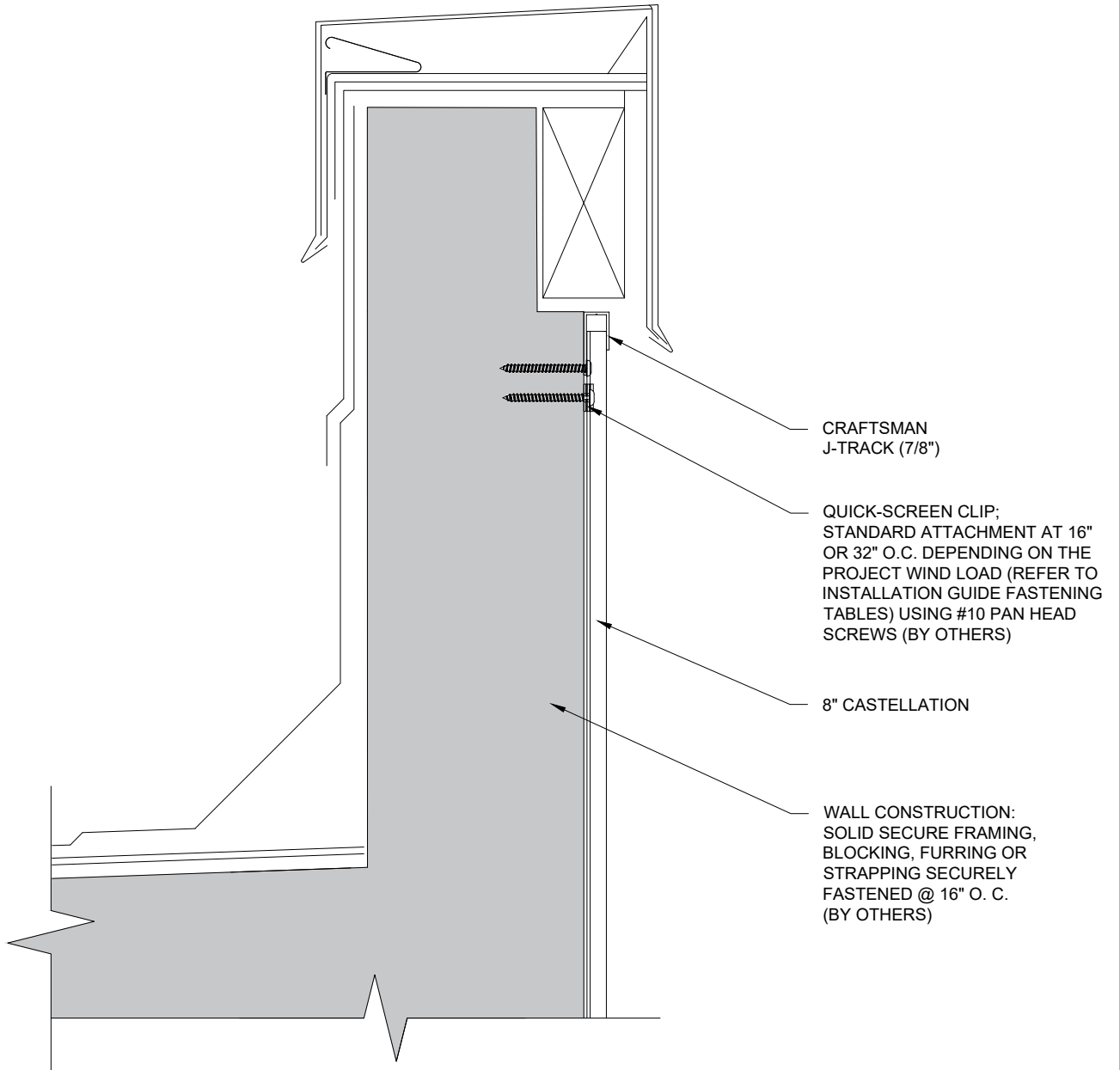
8" CASTELLATION

END OF THE WALL DETAIL  
8" CASTELLATION

SCALE 1:4

These drawings are published as an information guide only. These CAD drawings are intended as templates to assist the designer, they do not contain the full detail required for construction and must be read in conjunction with the installation instructions on [www.longboardproducts.com](http://www.longboardproducts.com). You should obtain architectural, engineering or other technical advice to assess the suitability of these drawings to the requirements of your particular project. Longboard Architectural Products accepts no liability in respect to the use of these drawings. For complete installation instructions refer to the appropriate documentation here [www.longboardproducts.com/resources/technical-documentation/installation-guides](http://www.longboardproducts.com/resources/technical-documentation/installation-guides)





CRAFTSMAN  
J-TRACK (7/8")

QUICK-SCREEN CLIP;  
STANDARD ATTACHMENT AT 16"  
OR 32" O.C. DEPENDING ON THE  
PROJECT WIND LOAD (REFER TO  
INSTALLATION GUIDE FASTENING  
TABLES) USING #10 PAN HEAD  
SCREWS (BY OTHERS)

8" CASTELLATION

WALL CONSTRUCTION:  
SOLID SECURE FRAMING,  
BLOCKING, FURRING OR  
STRAPPING SECURELY  
FASTENED @ 16" O. C.  
(BY OTHERS)

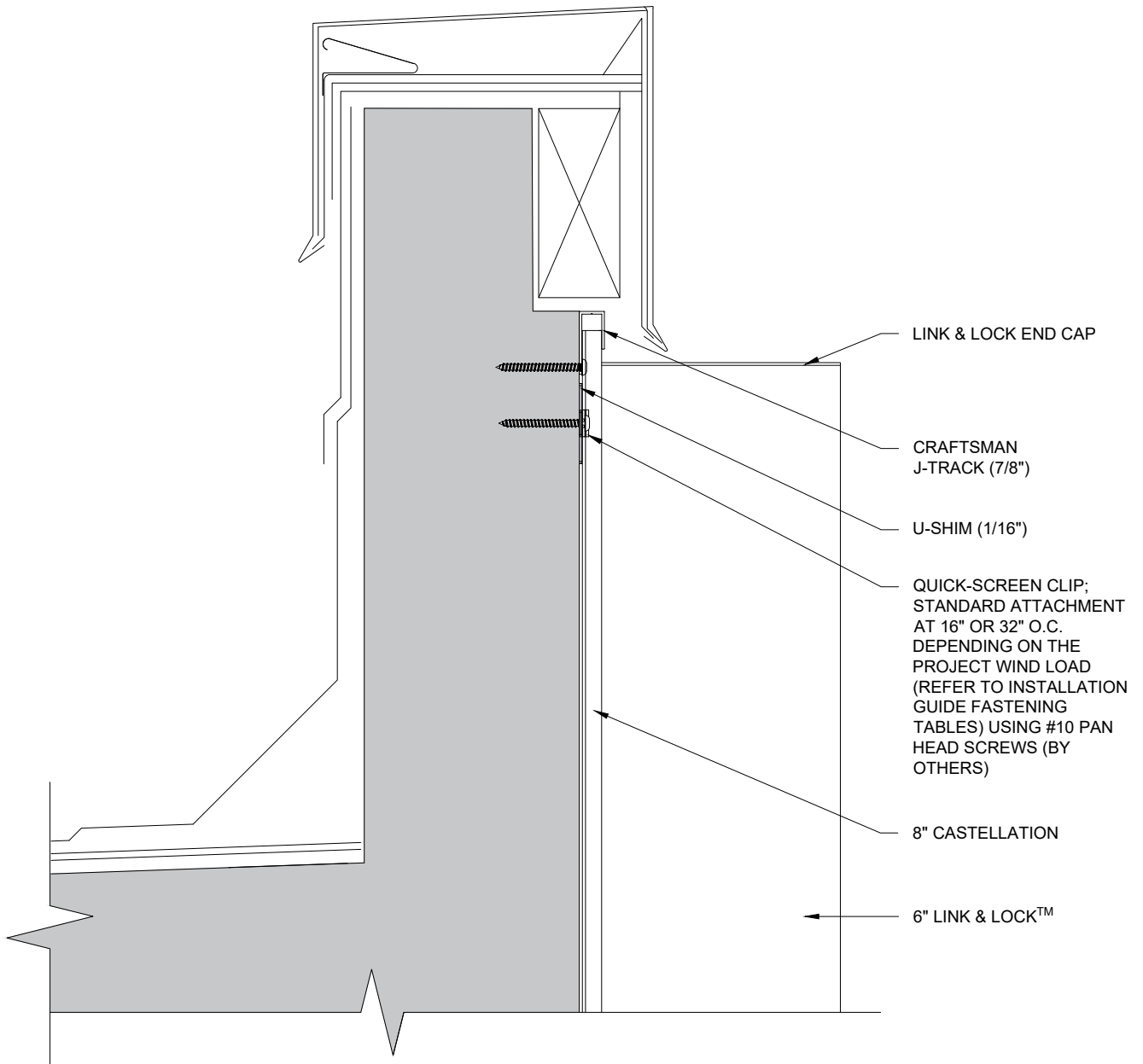
These drawings are published as an information guide only. These CAD drawings are intended as templates to assist the designer, they do not contain the full detail required for construction and must be read in conjunction with the installation instructions on [www.longboardproducts.com](http://www.longboardproducts.com). You should obtain architectural, engineering or other technical advice to assess the suitability of these drawings to the requirements of your particular project.

Longboard Architectural Products accepts no liability in respect to the use of these drawings.  
For complete installation instructions refer to the appropriate documentation here [www.longboardproducts.com/resources/technical-documentation/installation-guides](http://www.longboardproducts.com/resources/technical-documentation/installation-guides)

## PARAPET DETAIL 8" CASTELLATION

SCALE 1:4





These drawings are published as an information guide only. These CAD drawings are intended as templates to assist the designer, they do not contain the full detail required for construction and must be read in conjunction with the installation instructions on [www.longboardproducts.com](http://www.longboardproducts.com). You should obtain architectural, engineering or other technical advice to assess the suitability of these drawings to the requirements of your particular project.

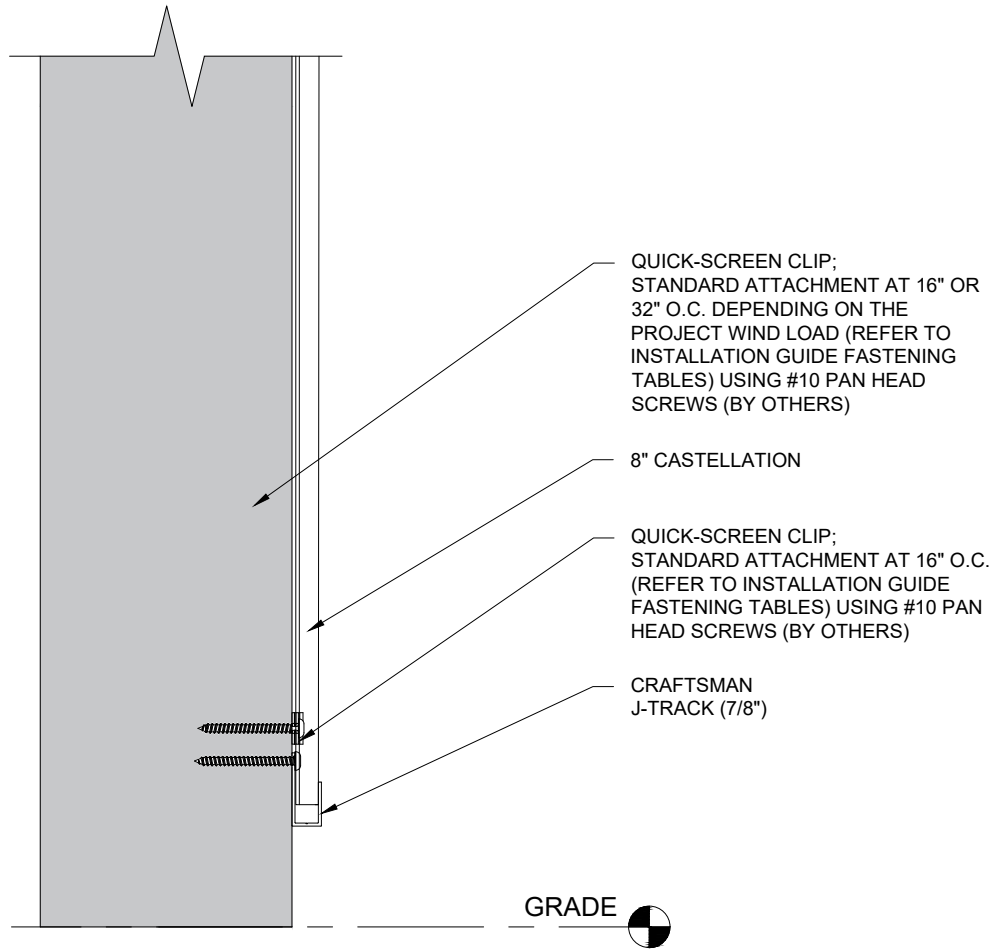
Longboard Architectural Products accepts no liability in respect to the use of these drawings.  
For complete installation instructions refer to the appropriate documentation here [www.longboardproducts.com/resources/technical-documentation/installation-guides](http://www.longboardproducts.com/resources/technical-documentation/installation-guides)

## PARAPET DETAIL WITH LINK & LOCK™ 8" CASTELLATION

SCALE 1:4



ISSUE DATE: 2026-04-10

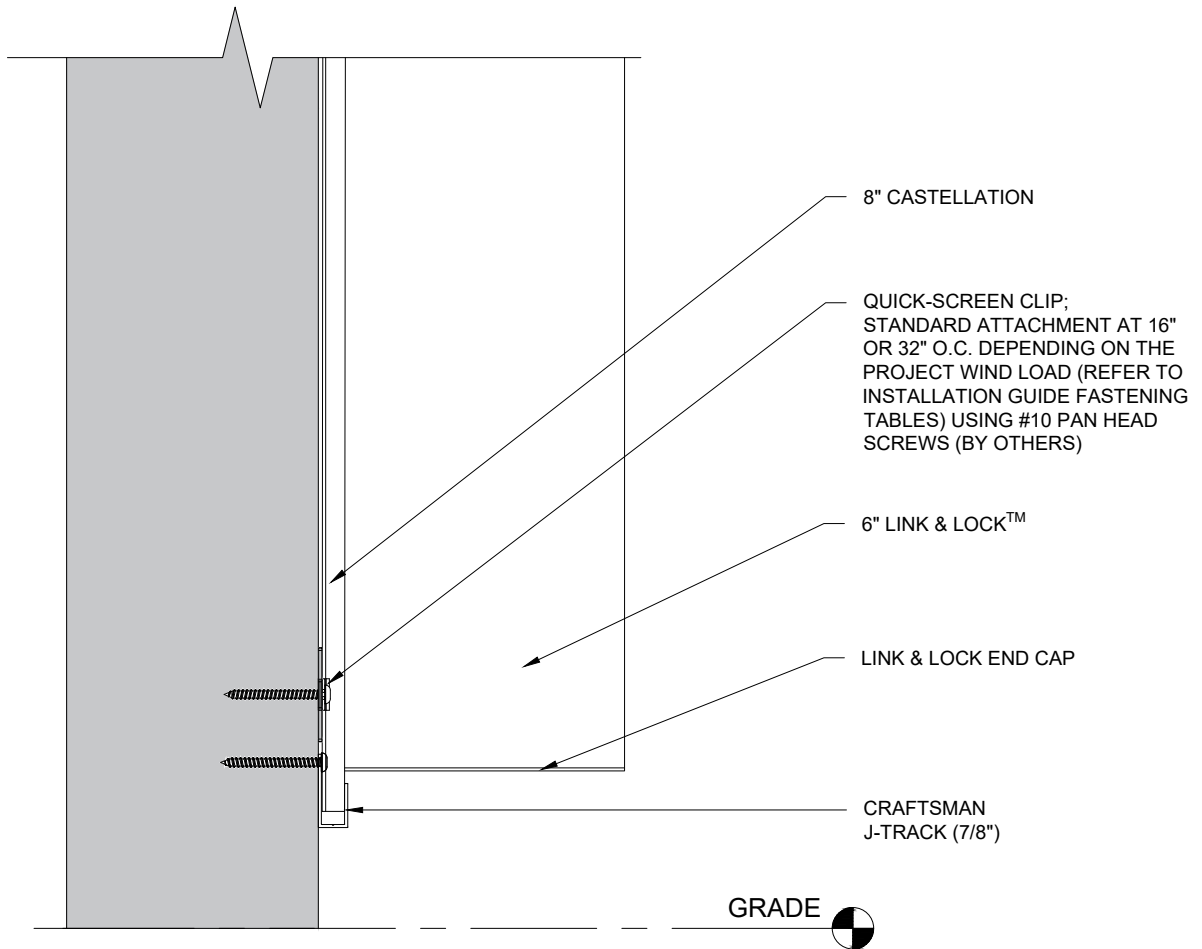


These drawings are published as an information guide only. These CAD drawings are intended as templates to assist the designer, they do not contain the full detail required for construction and must be read in conjunction with the installation instructions on [www.longboardproducts.com](http://www.longboardproducts.com). You should obtain architectural, engineering or other technical advice to assess the suitability of these drawings to the requirements of your particular project. Longboard Architectural Products accepts no liability in respect to the use of these drawings. For complete installation instructions refer to the appropriate documentation here [www.longboardproducts.com/resources/technical-documentation/installation-guides](http://www.longboardproducts.com/resources/technical-documentation/installation-guides)

## BOTTOM OF THE WALL DETAIL 8" CASTELLATION

SCALE 1:4





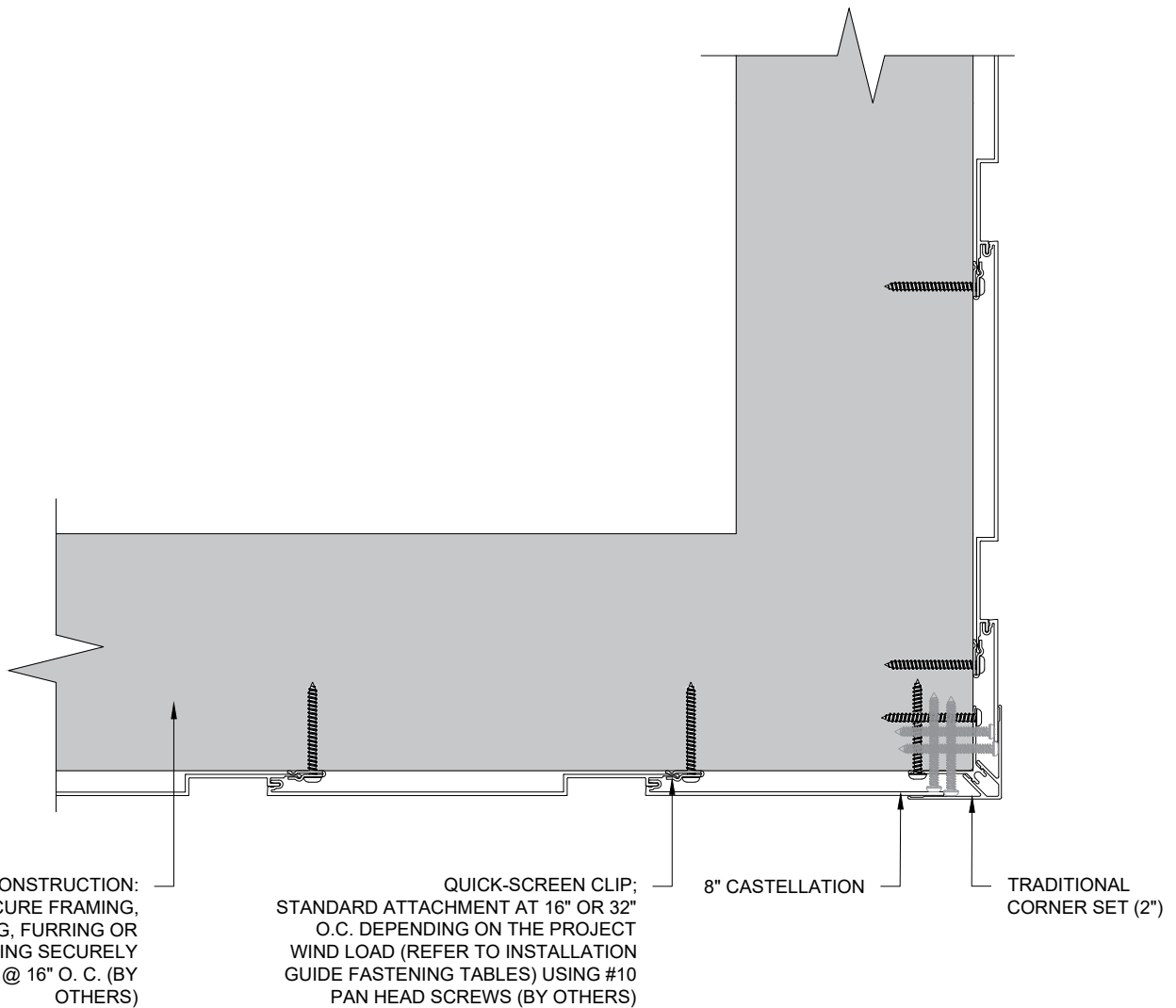
These drawings are published as an information guide only. These CAD drawings are intended as templates to assist the designer, they do not contain the full detail required for construction and must be read in conjunction with the installation instructions on [www.longboardproducts.com](http://www.longboardproducts.com). You should obtain architectural, engineering or other technical advice to assess the suitability of these drawings to the requirements of your particular project. Longboard Architectural Products accepts no liability in respect to the use of these drawings. For complete installation instructions refer to the appropriate documentation here [www.longboardproducts.com/resources/technical-documentation/installation-guides](http://www.longboardproducts.com/resources/technical-documentation/installation-guides)

## BOTTOM OF THE WALL DETAIL 8" CASTELLATION WITH LINK & LOCK™

SCALE 1:4



ISSUE DATE: 2026-04-10

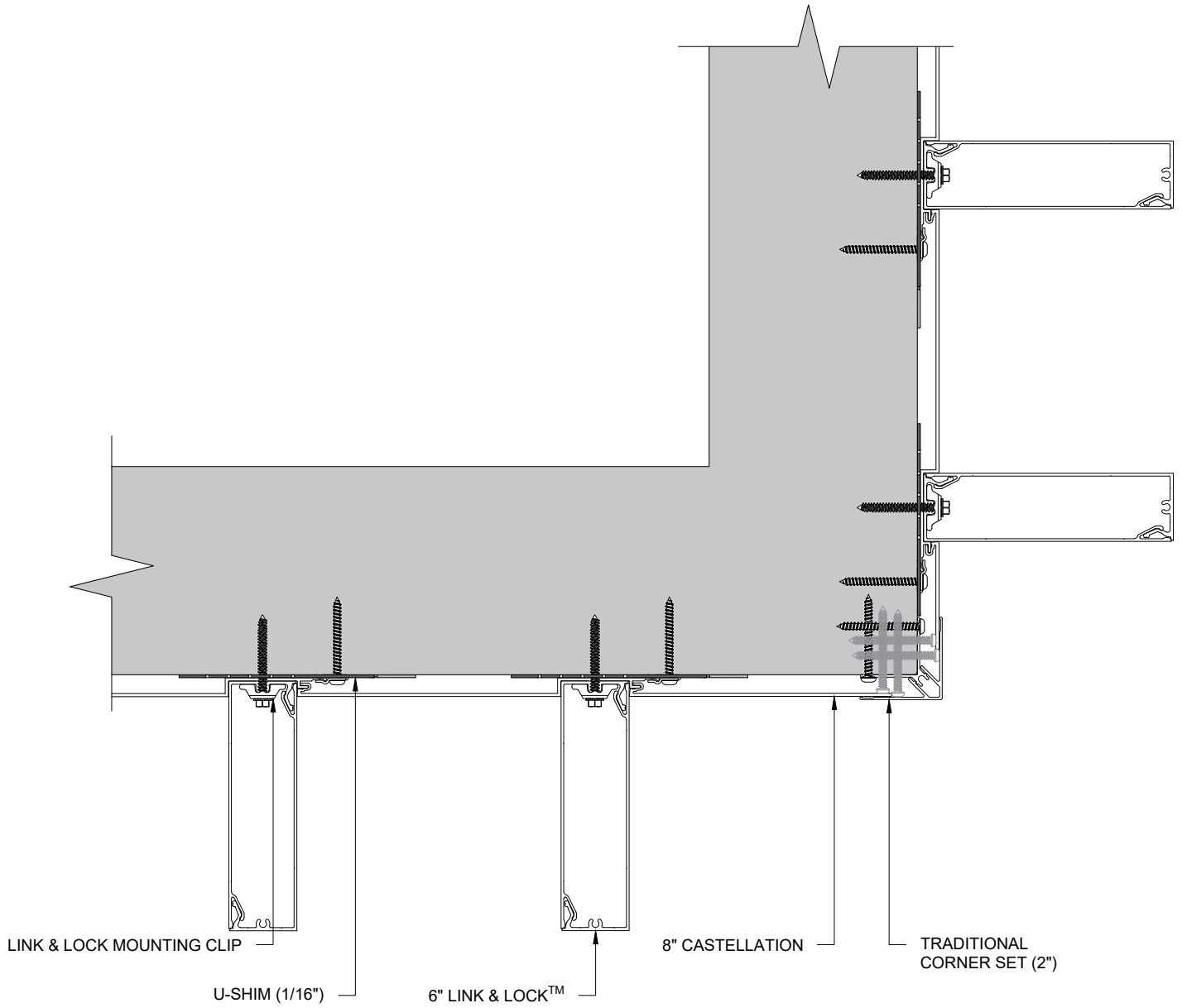


These drawings are published as an information guide only. These CAD drawings are intended as templates to assist the designer, they do not contain the full detail required for construction and must be read in conjunction with the installation instructions on [www.longboardproducts.com](http://www.longboardproducts.com). You should obtain architectural, engineering or other technical advice to assess the suitability of these drawings to the requirements of your particular project. Longboard Architectural Products accepts no liability in respect to the use of these drawings. For complete installation instructions refer to the appropriate documentation here [www.longboardproducts.com/resources/technical-documentation/installation-guides](http://www.longboardproducts.com/resources/technical-documentation/installation-guides)

## OUTSIDE CORNER DETAIL 8" CASTELLATION

SCALE 1:4





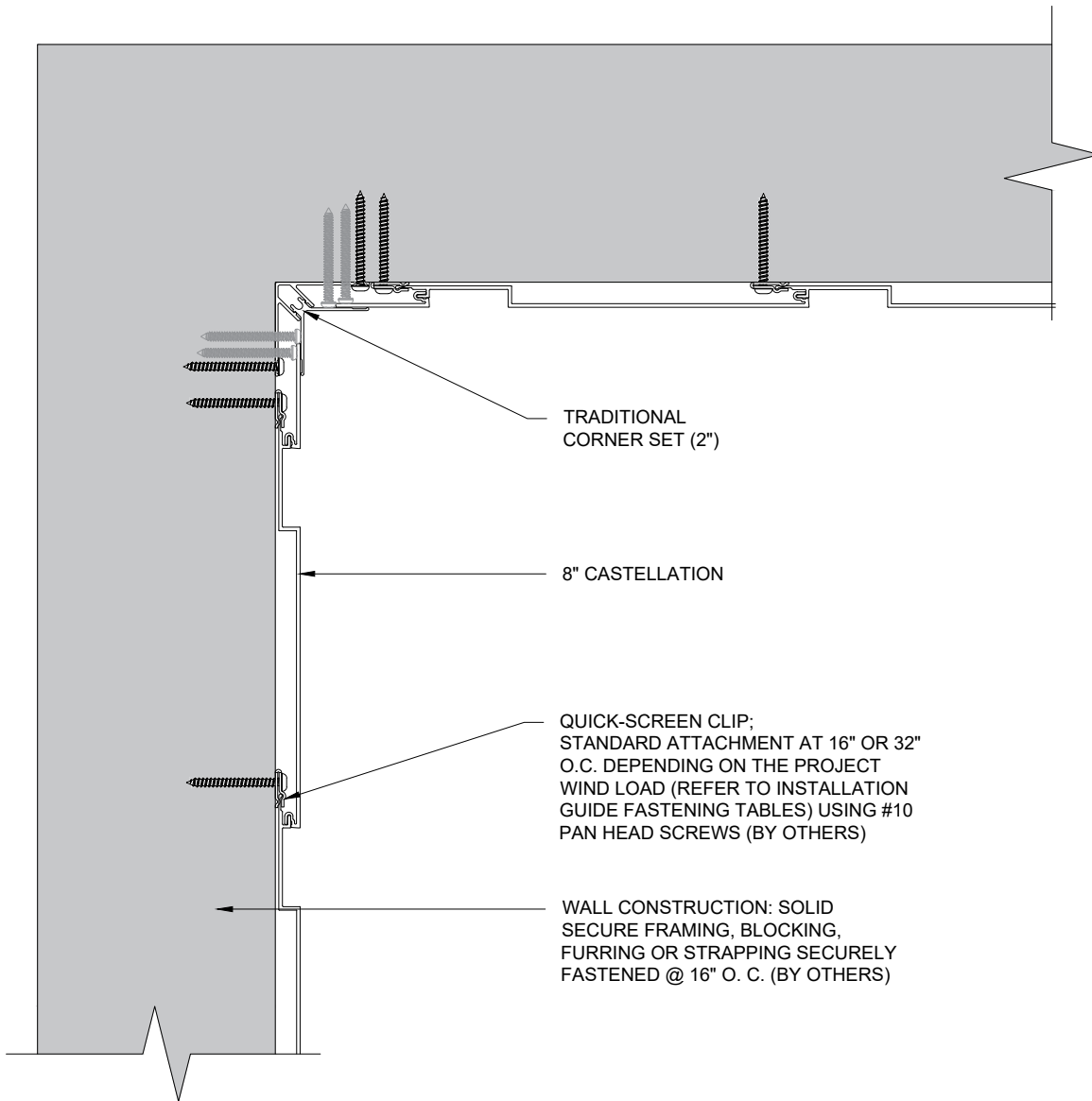
These drawings are published as an information guide only. These CAD drawings are intended as templates to assist the designer, they do not contain the full detail required for construction and must be read in conjunction with the installation instructions on [www.longboardproducts.com](http://www.longboardproducts.com). You should obtain architectural, engineering or other technical advice to assess the suitability of these drawings to the requirements of your particular project. Longboard Architectural Products accepts no liability in respect to the use of these drawings. For complete installation instructions refer to the appropriate documentation here [www.longboardproducts.com/resources/technical-documentation/installation-guides](http://www.longboardproducts.com/resources/technical-documentation/installation-guides)

## OUTSIDE CORNER DETAIL 8" CASTELLATION WITH LINK & LOCK™

SCALE 1:4



ISSUE DATE: 2026-04-10



## INSIDE CORNER DETAIL 8" CASTELLATION

SCALE 1:4

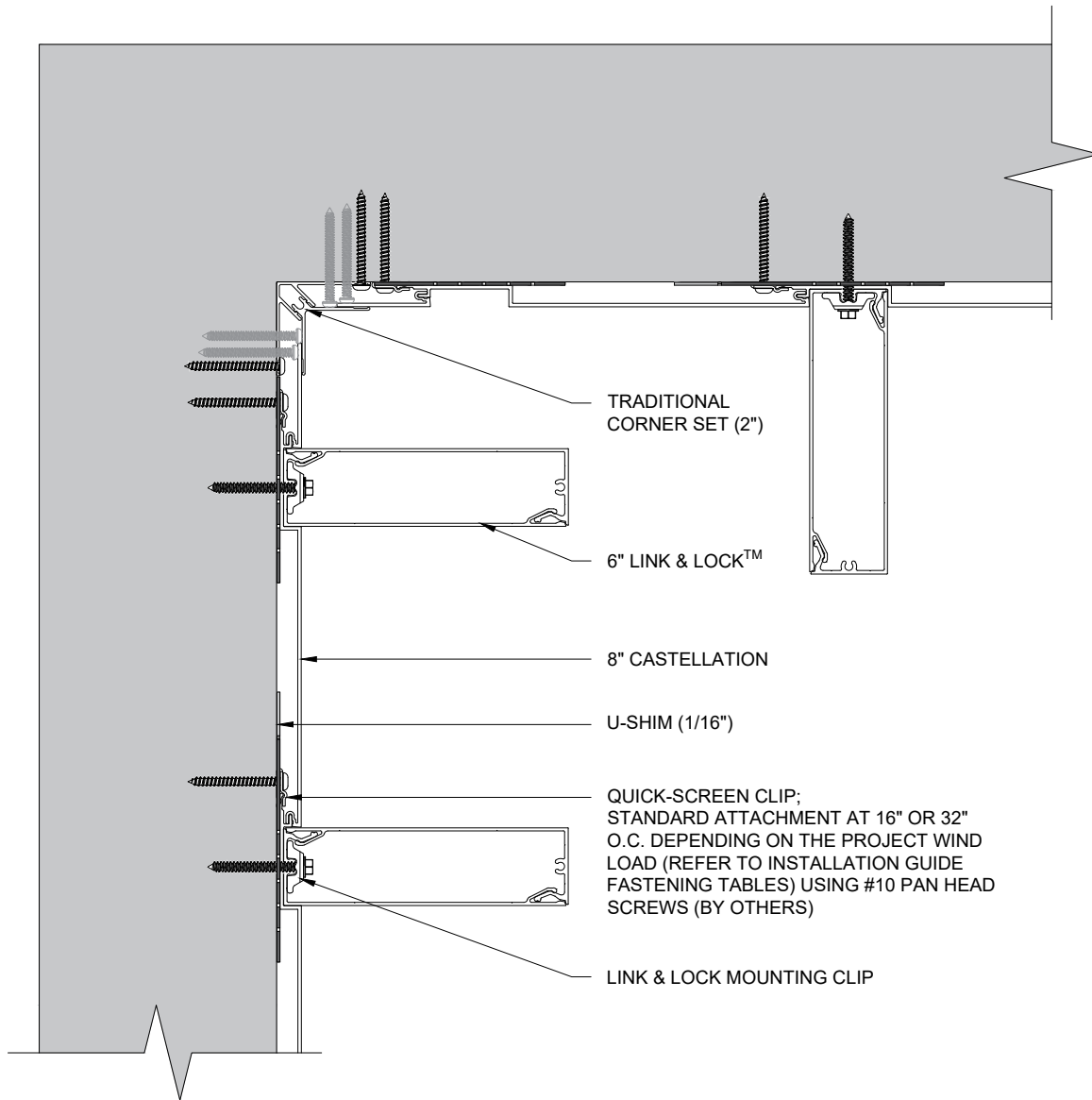


ISSUE DATE: 2026-04-10

These drawings are published as an information guide only. These CAD drawings are intended as templates to assist the designer, they do not contain the full detail required for construction and must be read in conjunction with the installation instructions on [www.longboardproducts.com](http://www.longboardproducts.com). You should obtain architectural, engineering or other technical advice to assess the suitability of these drawings to the requirements of your particular project.

Longboard Architectural Products accepts no liability in respect to the use of these drawings.

For complete installation instructions refer to the appropriate documentation here [www.longboardproducts.com/resources/technical-documentation/installation-guides](http://www.longboardproducts.com/resources/technical-documentation/installation-guides)



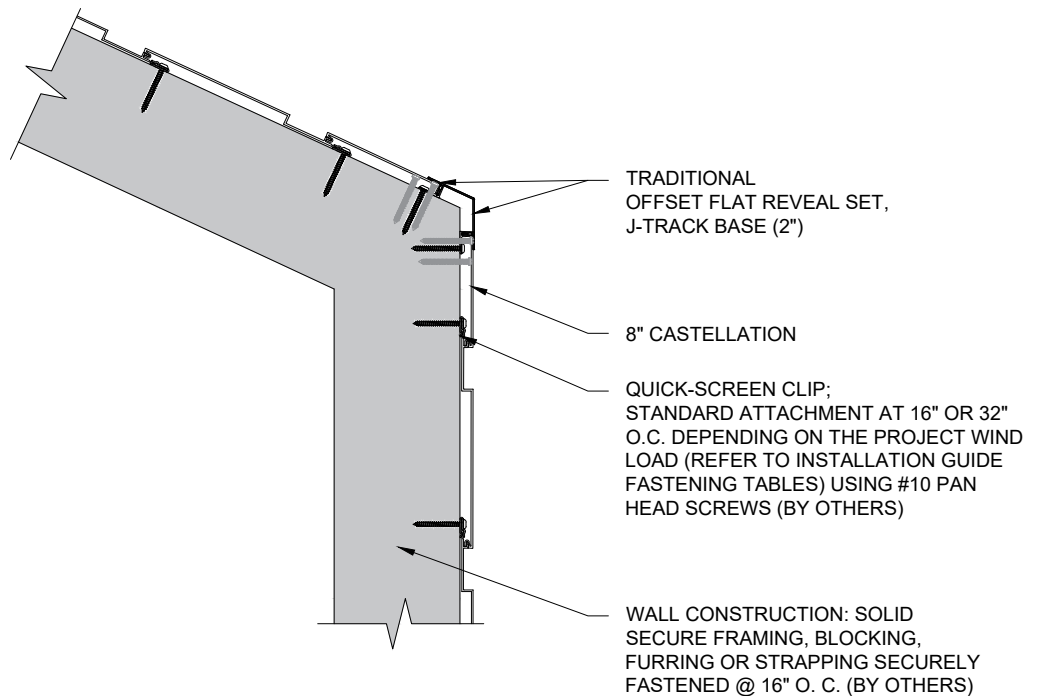
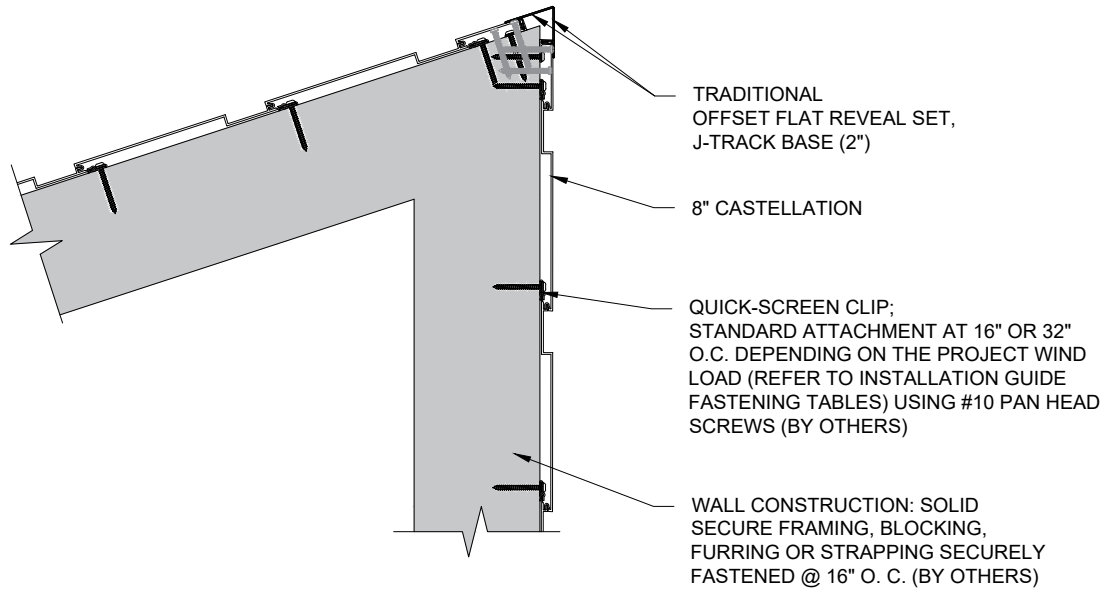
These drawings are published as an information guide only. These CAD drawings are intended as templates to assist the designer, they do not contain the full detail required for construction and must be read in conjunction with the installation instructions on [www.longboardproducts.com](http://www.longboardproducts.com). You should obtain architectural, engineering or other technical advice to assess the suitability of these drawings to the requirements of your particular project. Longboard Architectural Products accepts no liability in respect to the use of these drawings. For complete installation instructions refer to the appropriate documentation here [www.longboardproducts.com/resources/technical-documentation/installation-guides](http://www.longboardproducts.com/resources/technical-documentation/installation-guides)

## INSIDE CORNER DETAIL 8" CASTELLATION WITH LINK & LOCK™

SCALE 1:4



ISSUE DATE: 2026-04-10



## NON 90 DEGREE CORNER DETAIL 8" CASTELLATION

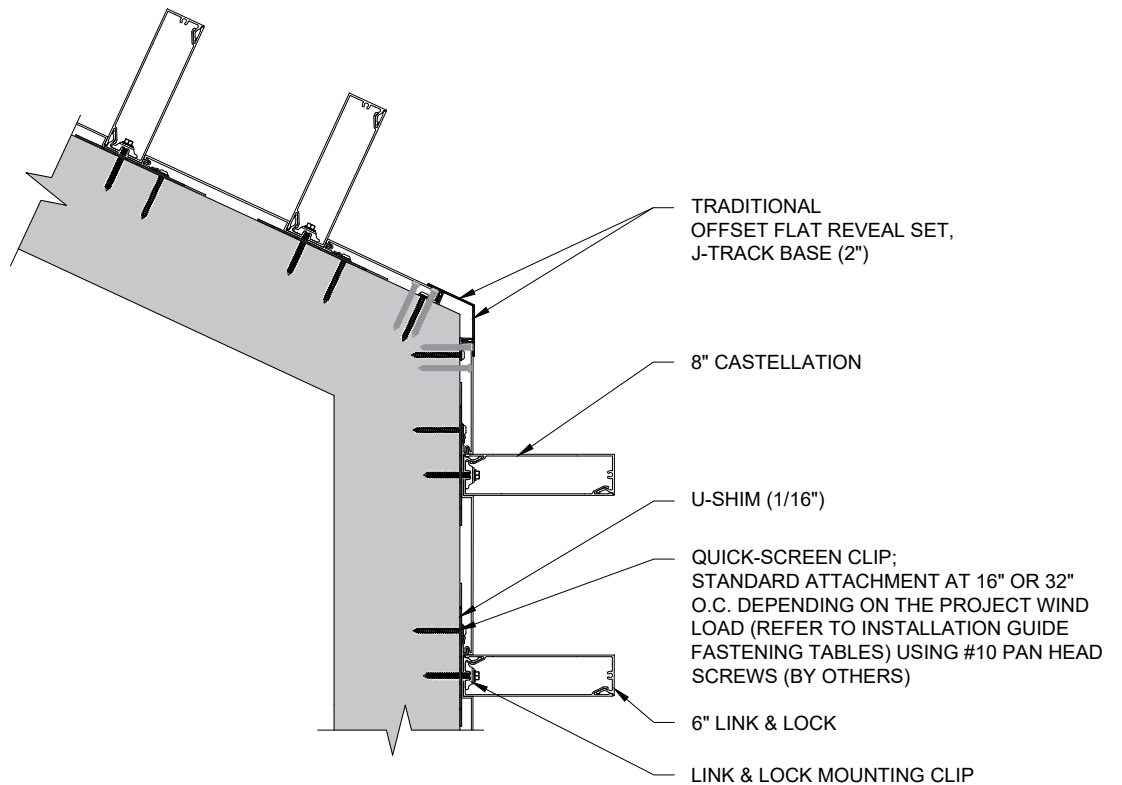
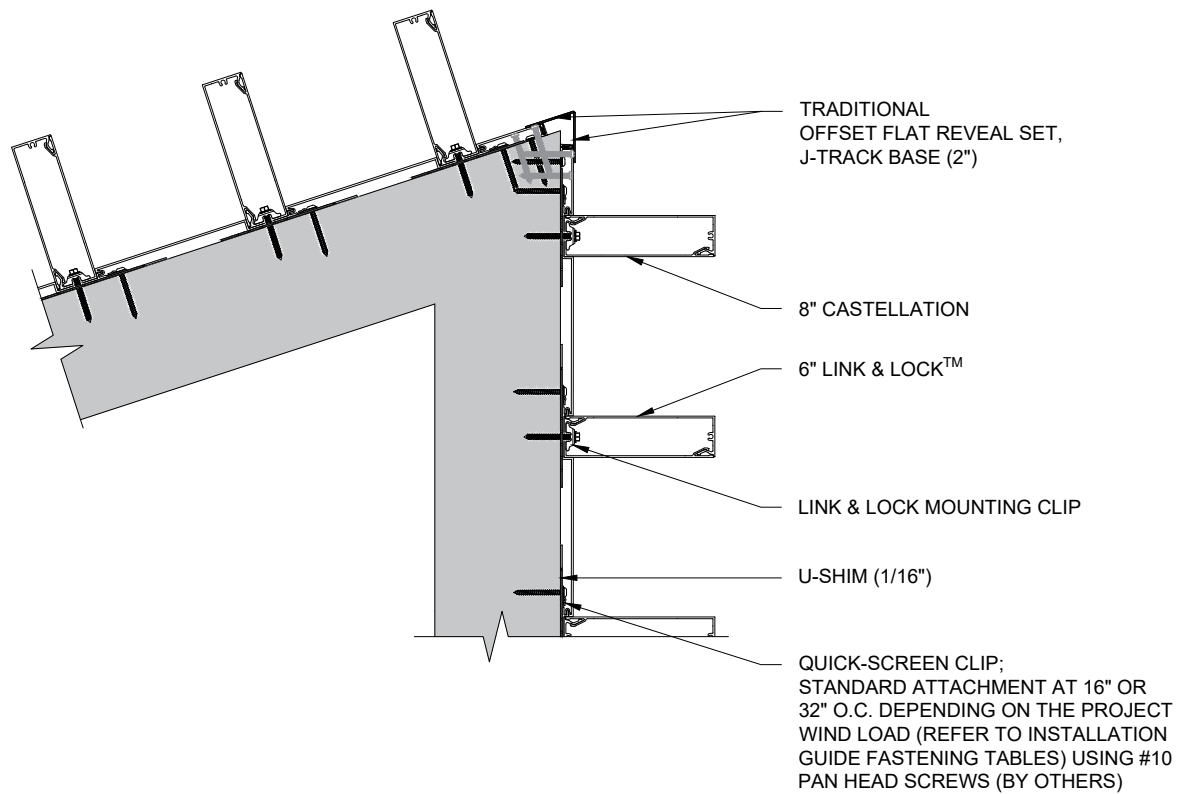
SCALE 1:8



These drawings are published as an information guide only. These CAD drawings are intended as templates to assist the designer, they do not contain the full detail required for construction and must be read in conjunction with the installation instructions on [www.longboardproducts.com](http://www.longboardproducts.com). You should obtain architectural, engineering or other technical advice to assess the suitability of these drawings to the requirements of your particular project.

Longboard Architectural Products accepts no liability in respect to the use of these drawings.

For complete installation instructions refer to the appropriate documentation here [www.longboardproducts.com/resources/technical-documentation/installation-guides](http://www.longboardproducts.com/resources/technical-documentation/installation-guides)



These drawings are published as an information guide only. These CAD drawings are intended as templates to assist the designer, they do not contain the full detail required for construction and must be read in conjunction with the installation instructions on [www.longboardproducts.com](http://www.longboardproducts.com). You should obtain architectural, engineering or other technical advice to assess the suitability of these drawings to the requirements of your particular project.

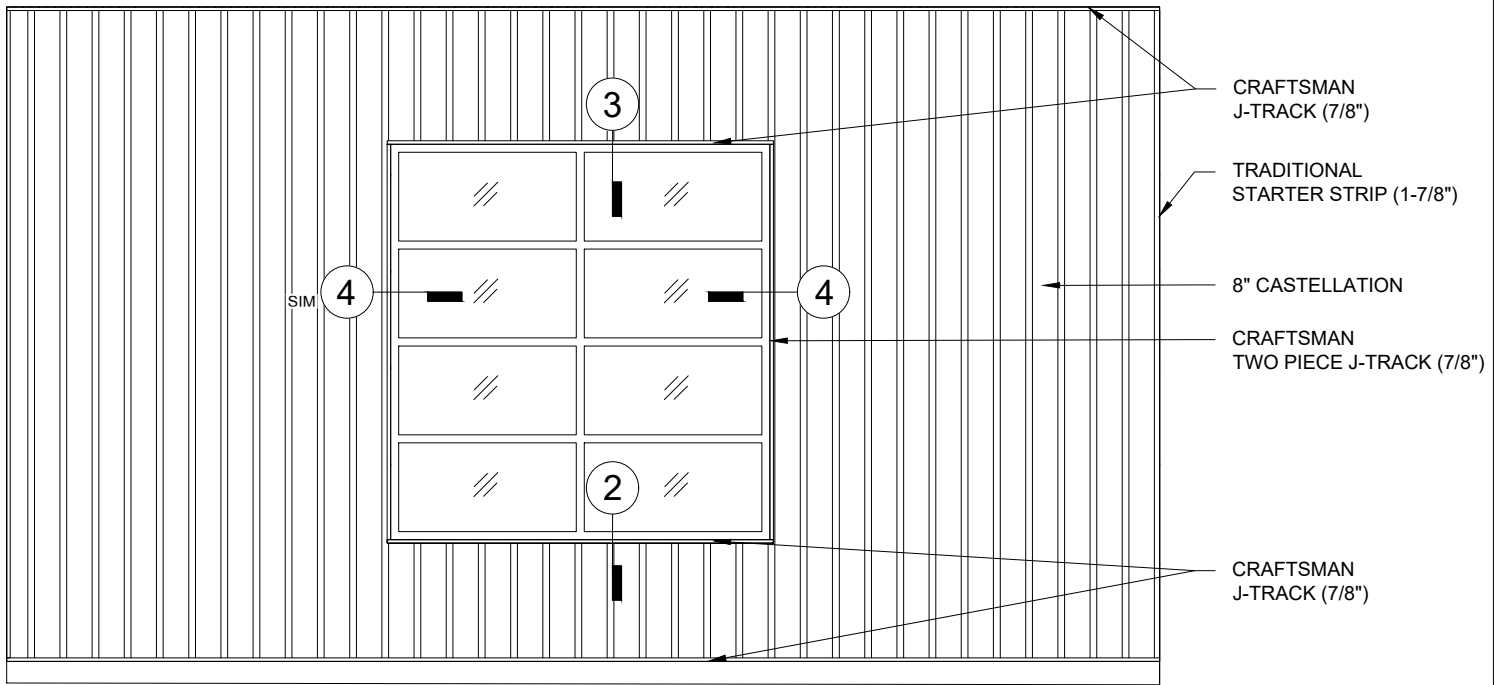
Longboard Architectural Products accepts no liability in respect to the use of these drawings.

For complete installation instructions refer to the appropriate documentation here [www.longboardproducts.com/resources/technical-documentation/installation-guides](http://www.longboardproducts.com/resources/technical-documentation/installation-guides)

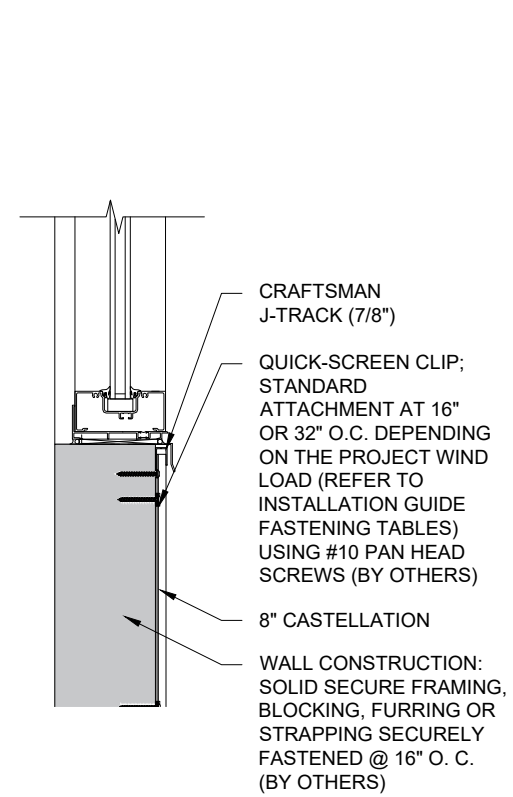
## NON 90 DEGREE CORNER DETAIL 8" CASTELLATION WITH LINK & LOCK™

SCALE 1:8

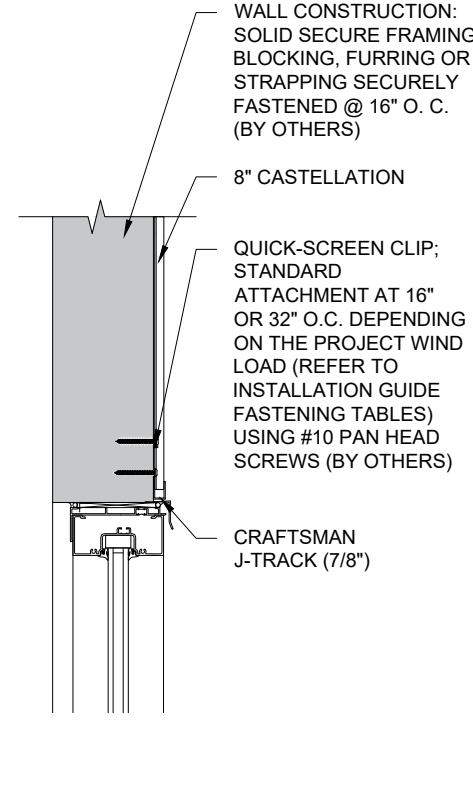




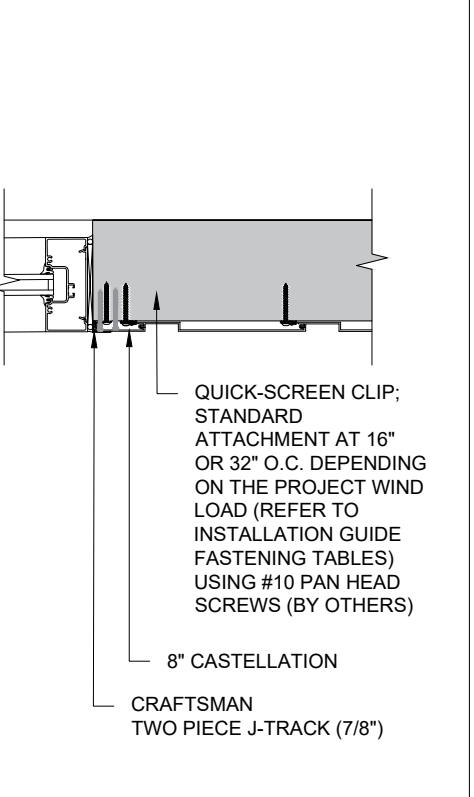
**1 WALL ELEVATION**  
SCALE: 1:50



**2 WINDOW SILL DETAIL**  
SCALE: 1:10



**3 WINDOW HEAD DETAIL**  
SCALE: 1:10

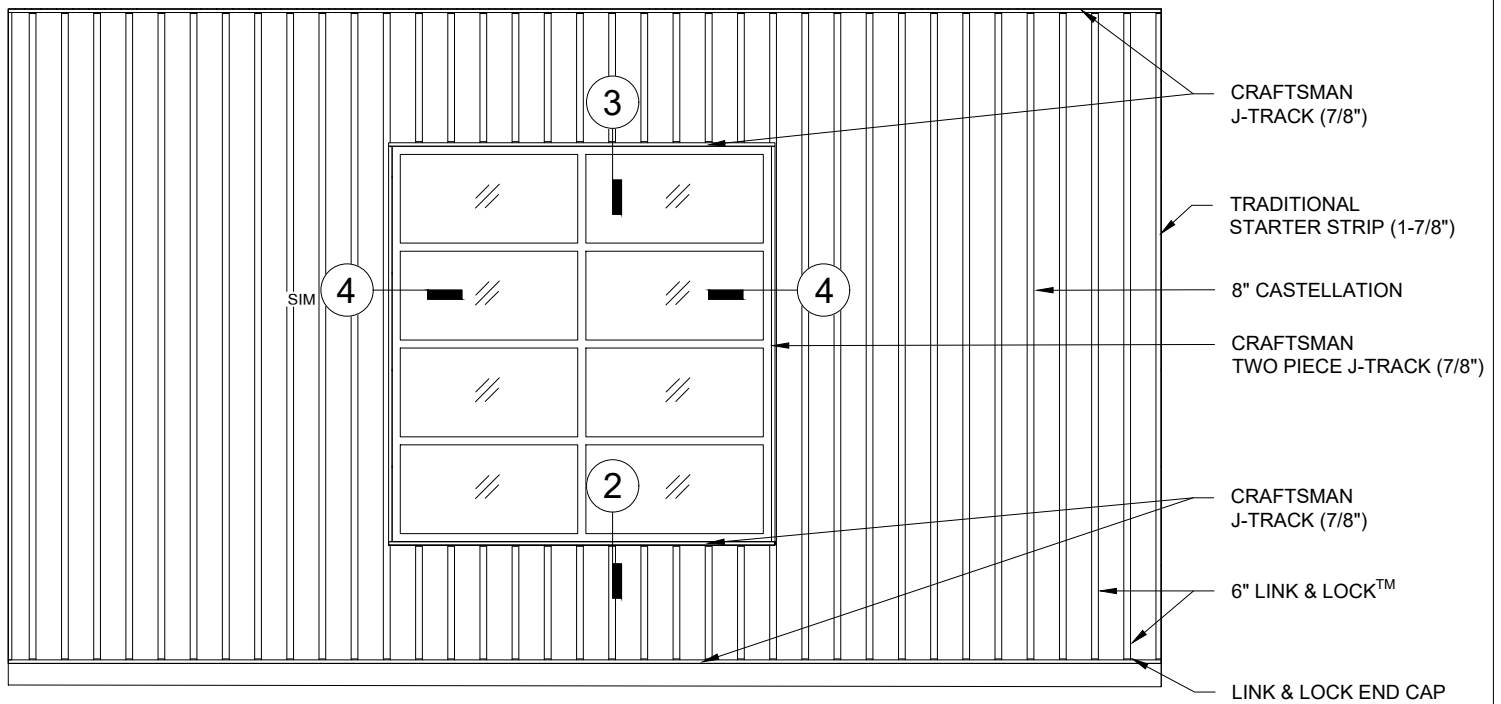


**4 WINDOW JAMB DETAIL**  
SCALE: 1:10

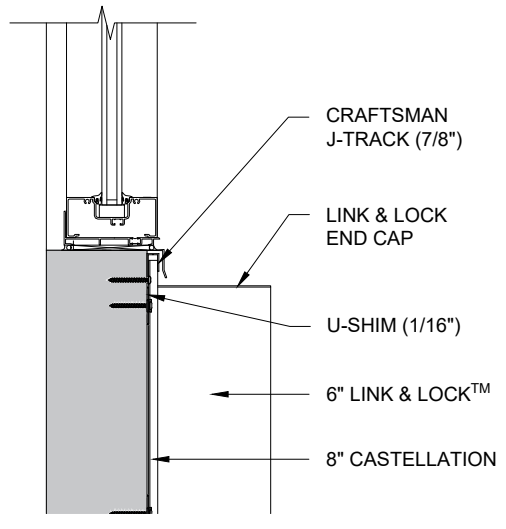
These drawings are published as an information guide only. These CAD drawings are intended as templates to assist the designer, they do not contain the full detail required for construction and must be read in conjunction with the installation instructions on [www.longboardproducts.com](http://www.longboardproducts.com). You should obtain architectural, engineering or other technical advice to assess the suitability of these drawings to the requirements of your particular project. Longboard Architectural Products accepts no liability in respect to the use of these drawings. For complete installation instructions refer to the appropriate documentation here [www.longboardproducts.com/resources/technical-documentation/installation-guides](http://www.longboardproducts.com/resources/technical-documentation/installation-guides)

**WINDOW DETAIL**  
**8" CASTELLATION**  
  
SCALE: AS INDICATED

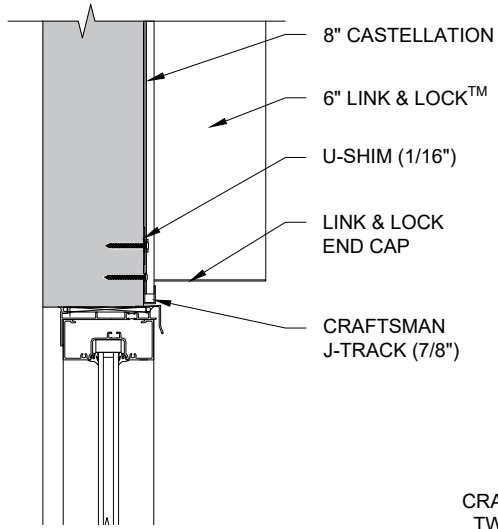




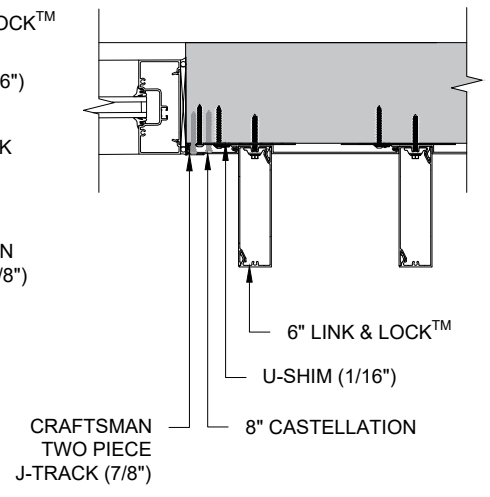
**1** WALL ELEVATION  
SCALE: 1:50



**2** WINDOW SILL DETAIL  
SCALE: 1:10



**3** WINDOW HEAD DETAIL  
SCALE: 1:10

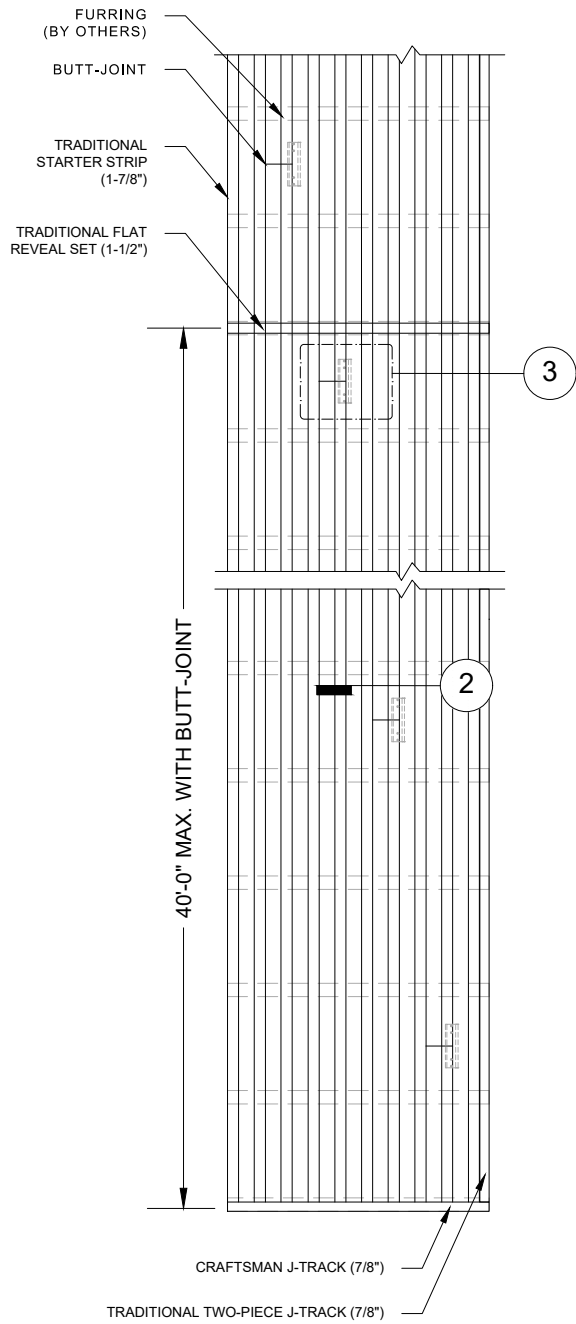


**4** WINDOW JAMB DETAIL  
SCALE: 1:10

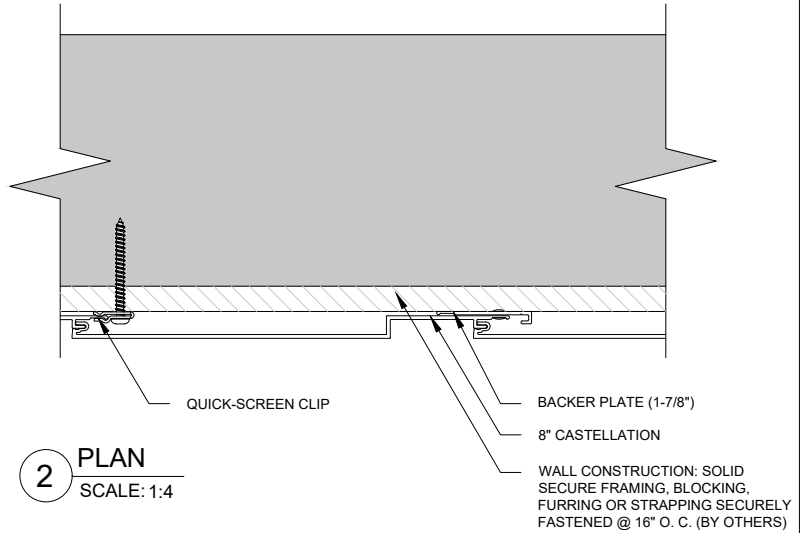
These drawings are published as an information guide only. These CAD drawings are intended as templates to assist the designer, they do not contain the full detail required for construction and must be read in conjunction with the installation instructions on [www.longboardproducts.com](http://www.longboardproducts.com). You should obtain architectural, engineering or other technical advice to assess the suitability of these drawings to the requirements of your particular project. Longboard Architectural Products accepts no liability in respect to the use of these drawings. For complete installation instructions refer to the appropriate documentation here [www.longboardproducts.com/resources/technical-documentation/installation-guides](http://www.longboardproducts.com/resources/technical-documentation/installation-guides)

**WINDOW DETAIL**  
**8" CASTELLATION WITH LINK & LOCK™**  
SCALE: AS INDICATED

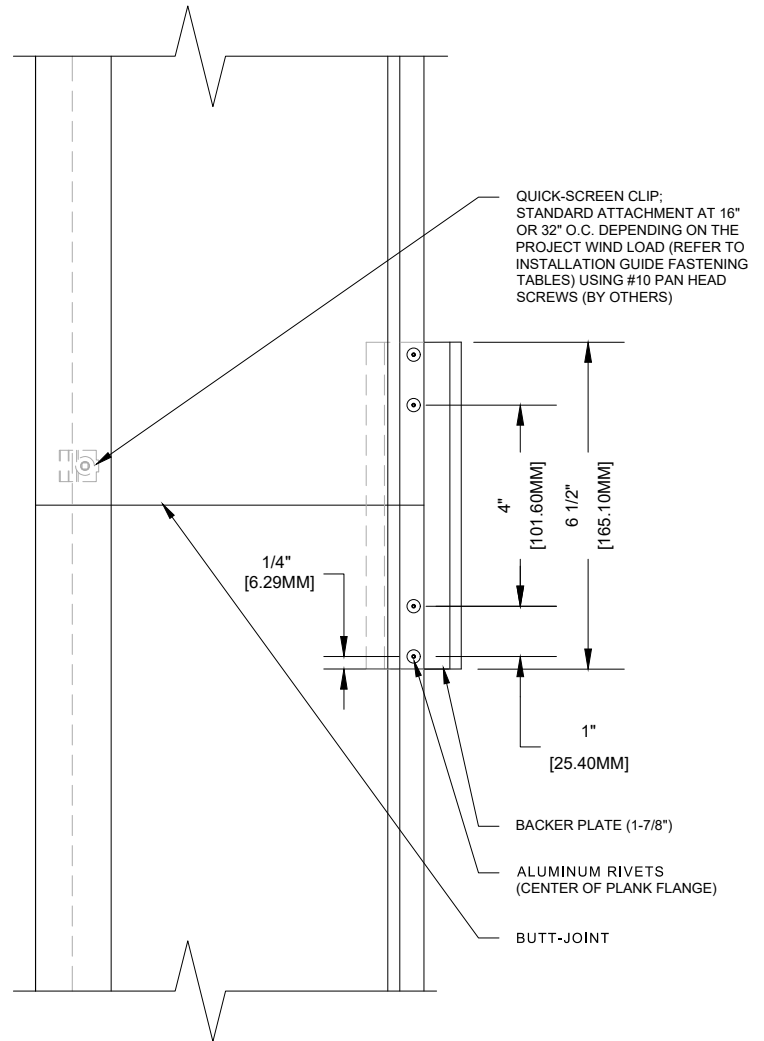




**1** ELEVATION  
SCALE: 1:30



**2** PLAN  
SCALE: 1:4



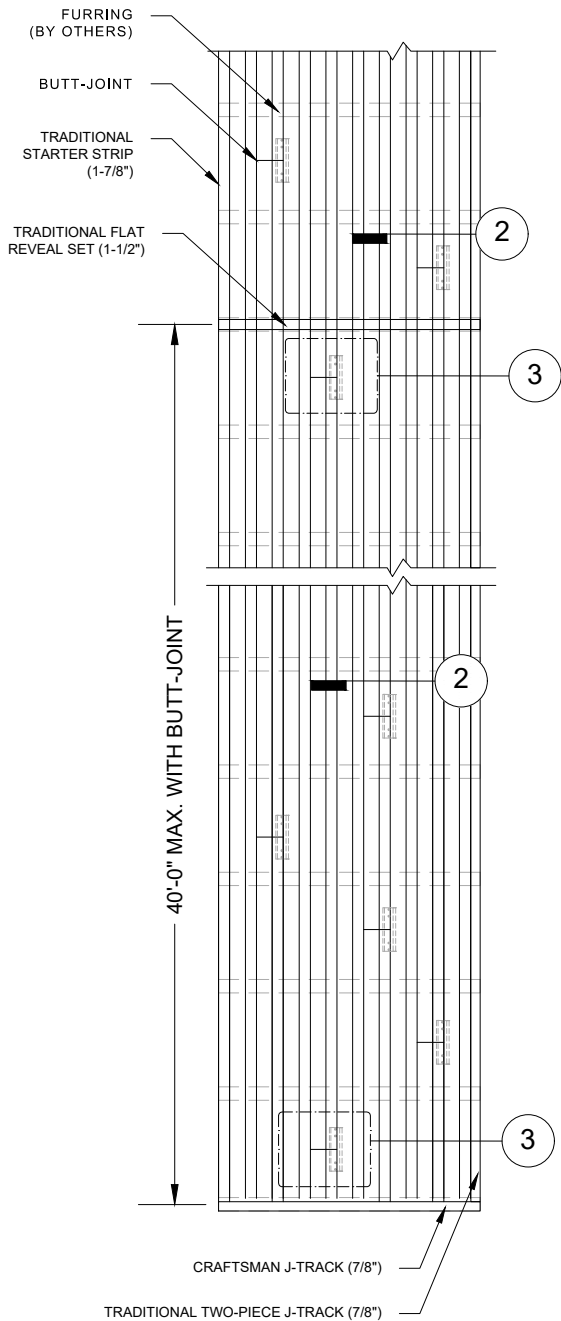
**3** ENLARGED ELEVATION @ BUTT JOINT  
SCALE: 1:4

These drawings are published as an information guide only. These CAD drawings are intended as templates to assist the designer, they do not contain the full detail required for construction and must be read in conjunction with the installation instructions on [www.longboardproducts.com](http://www.longboardproducts.com). You should obtain architectural, engineering or other technical advice to assess the suitability of these drawings to the requirements of your particular project. Longboard Architectural Products accepts no liability in respect to the use of these drawings. For complete installation instructions refer to the appropriate documentation here [www.longboardproducts.com/resources/technical-documentation/installation-guides](http://www.longboardproducts.com/resources/technical-documentation/installation-guides)

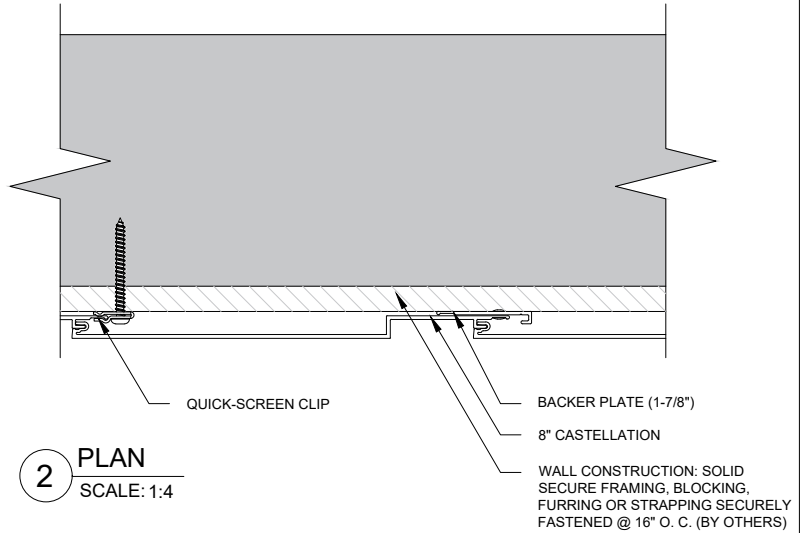
## SINGLE BUTT-JOINT DETAIL 8" CASTELLATION

SCALE: AS INDICATED

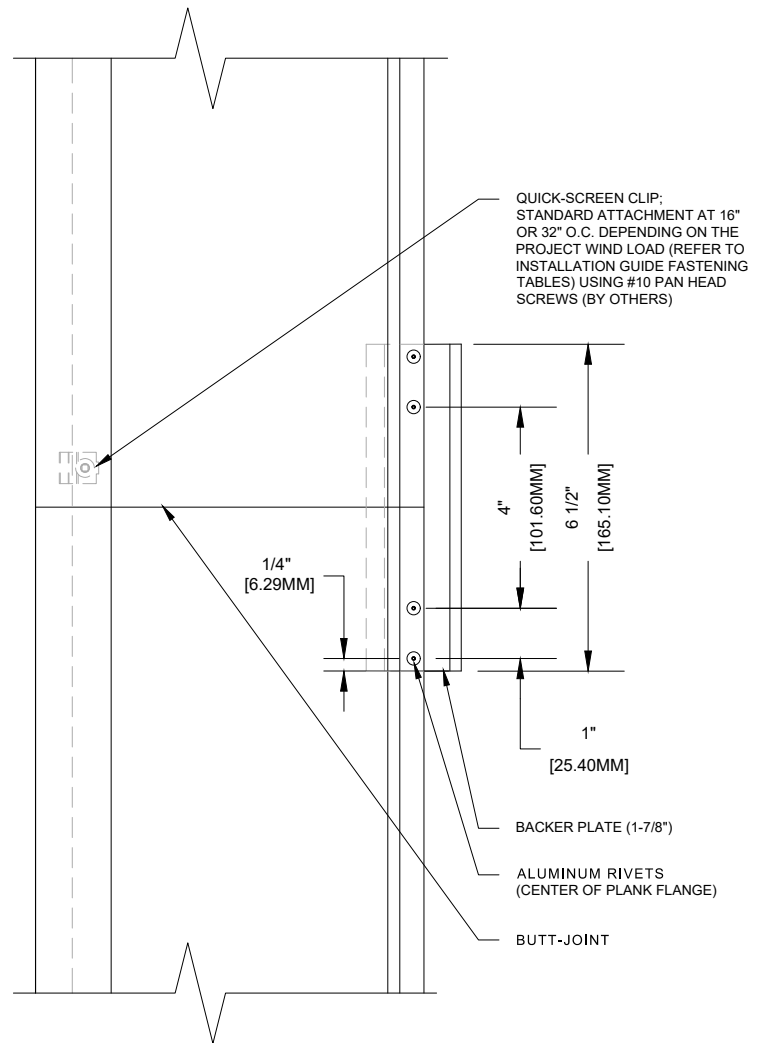




**1** ELEVATION  
SCALE: 1:30



**2** PLAN  
SCALE: 1:4



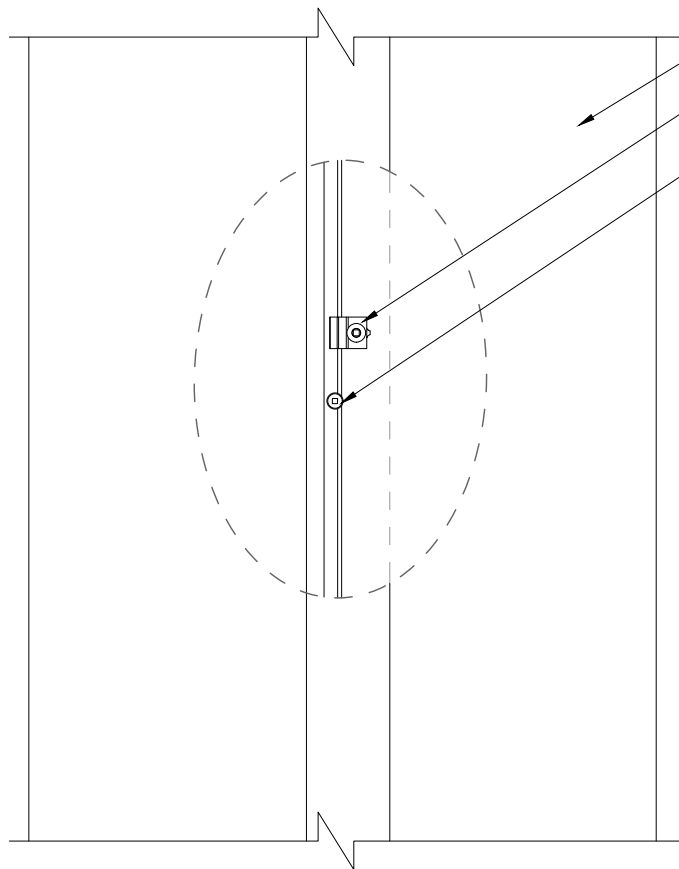
**3** ENLARGED ELEVATION @ BUTT JOINT  
SCALE: 1:4

These drawings are published as an information guide only. These CAD drawings are intended as templates to assist the designer, they do not contain the full detail required for construction and must be read in conjunction with the installation instructions on [www.longboardproducts.com](http://www.longboardproducts.com). You should obtain architectural, engineering or other technical advice to assess the suitability of these drawings to the requirements of your particular project. Longboard Architectural Products accepts no liability in respect to the use of these drawings. For complete installation instructions refer to the appropriate documentation here [www.longboardproducts.com/resources/technical-documentation/installation-guides](http://www.longboardproducts.com/resources/technical-documentation/installation-guides)

## MULTIPLE FLOATING BUTT-JOINT DETAIL 8" CASTELLATION

SCALE: AS INDICATED

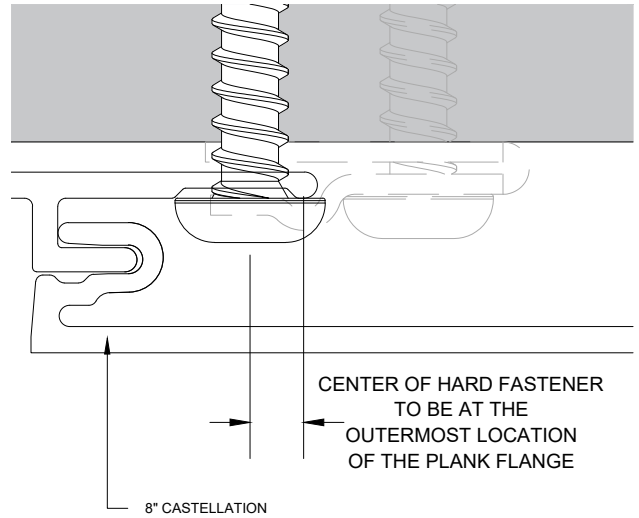




8" CASTELLATION

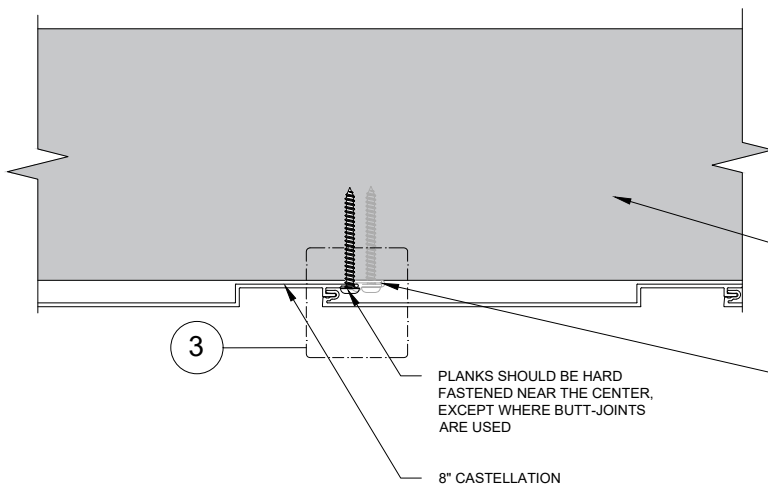
QUICK-SCREEN CLIP

PLANKS SHOULD BE HARD FASTENED NEAR THE CENTER, EXCEPT WHERE BUTT-JOINTS ARE USED (SEE BUTT-JOINT DETAIL FOR MORE INFORMATION)



**2** ELEVATION  
SCALE: 1:4

**3** ENLARGED DETAIL  
SCALE: 2:1



WALL CONSTRUCTION: SOLID  
SECURE FRAMING, BLOCKING,  
FURRING OR STRAPPING SECURELY  
FASTENED @ 16" O. C. (BY OTHERS)

PLANKS SHOULD BE HARD FASTENED NEAR THE CENTER, EXCEPT WHERE BUTT-JOINTS ARE USED

QUICK SCREEN CLIP  
STANDARD ATTACHMENT AT 16" OR 32"  
O.C. DEPENDING ON THE PROJECT  
WIND LOAD (REFER TO INSTALLATION  
GUIDE FASTENING TABLES) USING #10  
PAN HEAD SCREWS (BY OTHERS)

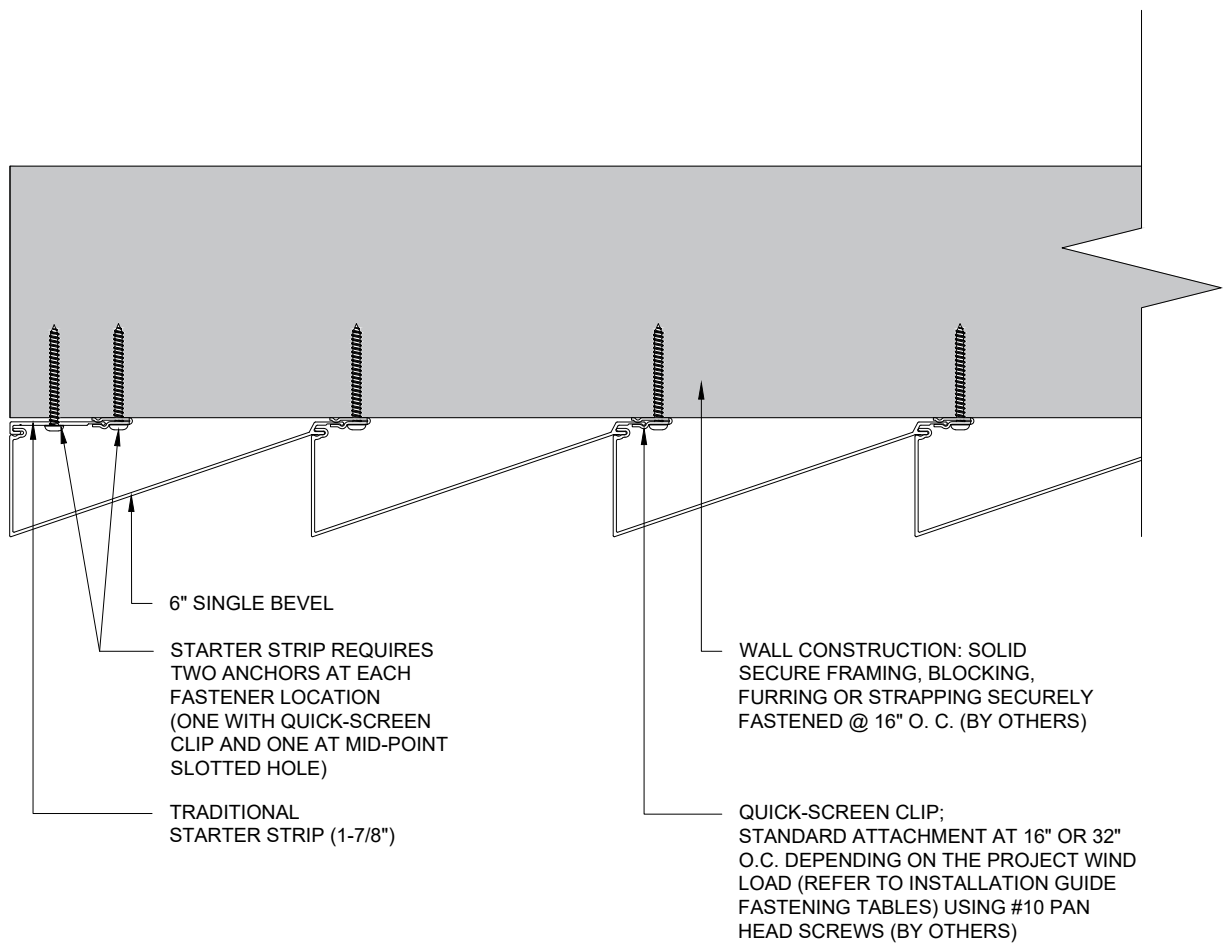
**1** PLAN  
SCALE: 1:4

## HARD FASTENING DETAIL 8" CASTELLATION

SCALE: AS INDICATED



These drawings are published as an information guide only. These CAD drawings are intended as templates to assist the designer, they do not contain the full detail required for construction and must be read in conjunction with the installation instructions on [www.longboardproducts.com](http://www.longboardproducts.com). You should obtain architectural, engineering or other technical advice to assess the suitability of these drawings to the requirements of your particular project. Longboard Architectural Products accepts no liability in respect to the use of these drawings. For complete installation instructions refer to the appropriate documentation here [www.longboardproducts.com/resources/technical-documentation/installation-guides](http://www.longboardproducts.com/resources/technical-documentation/installation-guides)

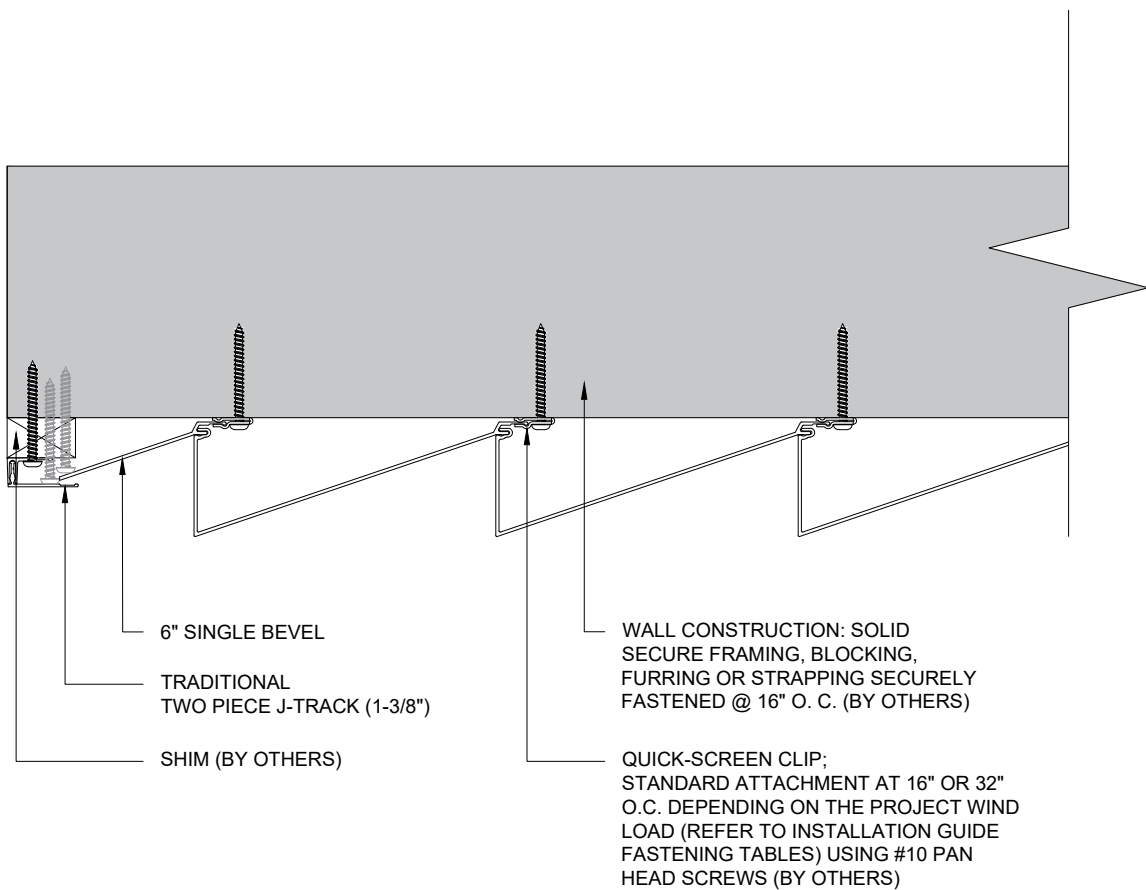


These drawings are published as an information guide only. These CAD drawings are intended as templates to assist the designer, they do not contain the full detail required for construction and must be read in conjunction with the installation instructions on [www.longboardproducts.com](http://www.longboardproducts.com). You should obtain architectural, engineering or other technical advice to assess the suitability of these drawings to the requirements of your particular project. Longboard Architectural Products accepts no liability in respect to the use of these drawings. For complete installation instructions refer to the appropriate documentation here [www.longboardproducts.com/resources/technical-documentation/installation-guides](http://www.longboardproducts.com/resources/technical-documentation/installation-guides)

## START OF THE WALL DETAIL 6" SINGLE BEVEL

SCALE 1:4



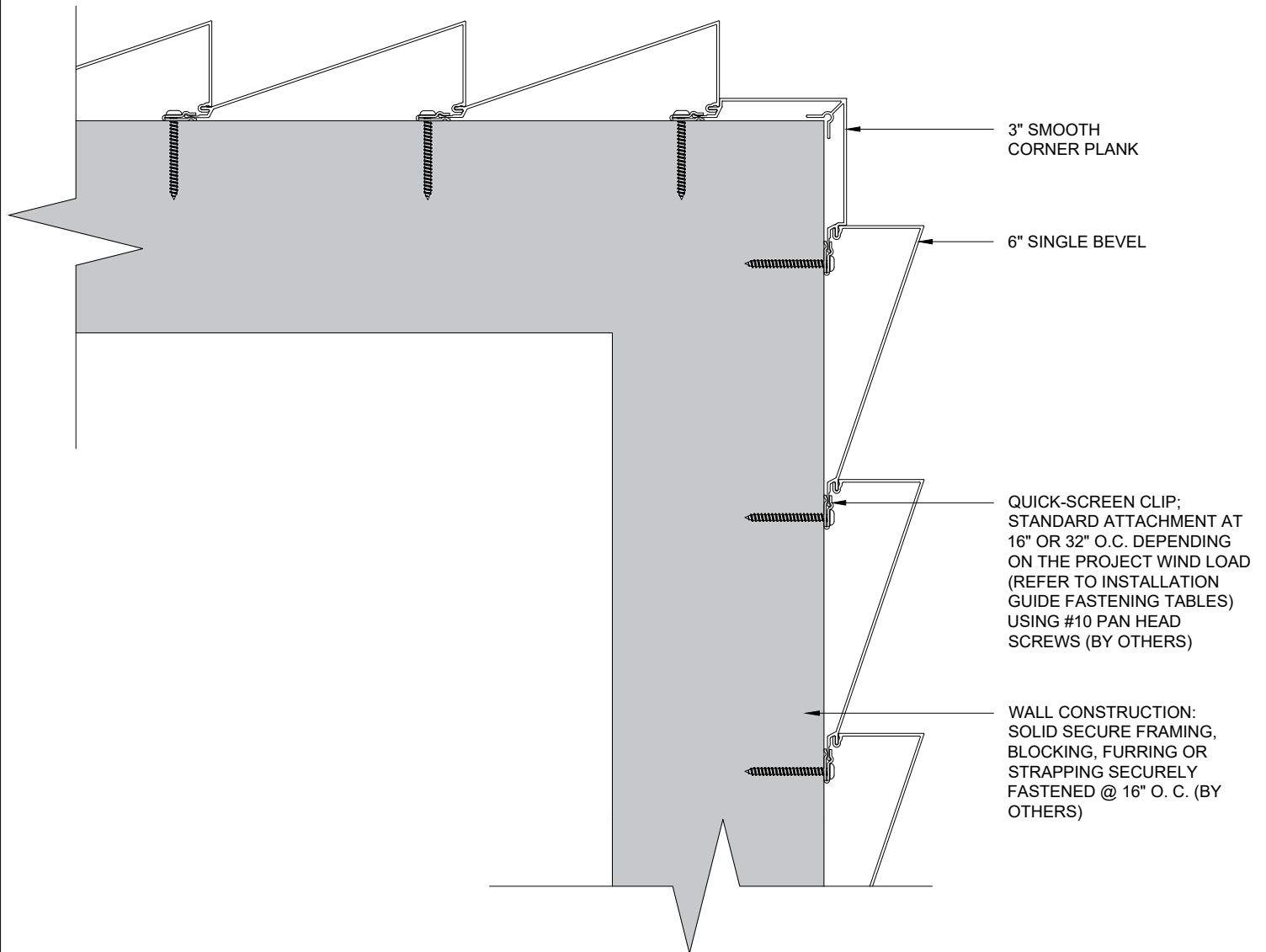


These drawings are published as an information guide only. These CAD drawings are intended as templates to assist the designer, they do not contain the full detail required for construction and must be read in conjunction with the installation instructions on [www.longboardproducts.com](http://www.longboardproducts.com). You should obtain architectural, engineering or other technical advice to assess the suitability of these drawings to the requirements of your particular project. Longboard Architectural Products accepts no liability in respect to the use of these drawings. For complete installation instructions refer to the appropriate documentation here [www.longboardproducts.com/resources/technical-documentation/installation-guides](http://www.longboardproducts.com/resources/technical-documentation/installation-guides)

## END OF THE WALL DETAIL 6" SINGLE BEVEL

SCALE 1:4





3" SMOOTH  
CORNER PLANK

6" SINGLE BEVEL

QUICK-SCREEN CLIP;  
STANDARD ATTACHMENT AT  
16" OR 32" O.C. DEPENDING  
ON THE PROJECT WIND LOAD  
(REFER TO INSTALLATION  
GUIDE FASTENING TABLES)  
USING #10 PAN HEAD  
SCREWS (BY OTHERS)

WALL CONSTRUCTION:  
SOLID SECURE FRAMING,  
BLOCKING, FURRING OR  
STRAPPING SECURELY  
FASTENED @ 16" O. C. (BY  
OTHERS)

## OUTSIDE CORNER DETAIL 6" SINGLE BEVEL

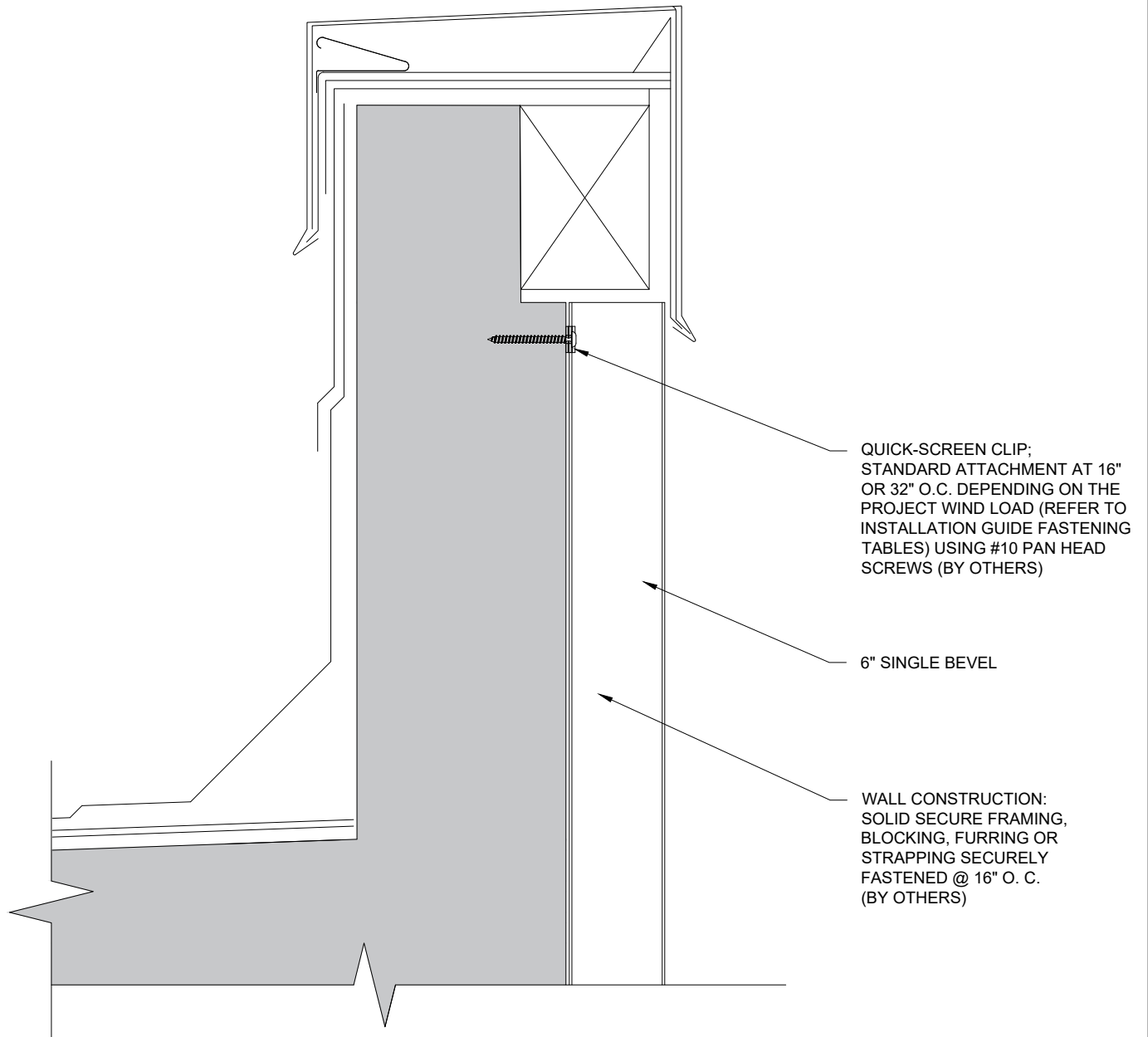
SCALE 1:4



These drawings are published as an information guide only. These CAD drawings are intended as templates to assist the designer, they do not contain the full detail required for construction and must be read in conjunction with the installation instructions on [www.longboardproducts.com](http://www.longboardproducts.com). You should obtain architectural, engineering or other technical advice to assess the suitability of these drawings to the requirements of your particular project.

Longboard Architectural Products accepts no liability in respect to the use of these drawings.

For complete installation instructions refer to the appropriate documentation here [www.longboardproducts.com/resources/technical-documentation/installation-guides](http://www.longboardproducts.com/resources/technical-documentation/installation-guides)



These drawings are published as an information guide only. These CAD drawings are intended as templates to assist the designer, they do not contain the full detail required for construction and must be read in conjunction with the installation instructions on [www.longboardproducts.com](http://www.longboardproducts.com). You should obtain architectural, engineering or other technical advice to assess the suitability of these drawings to the requirements of your particular project.

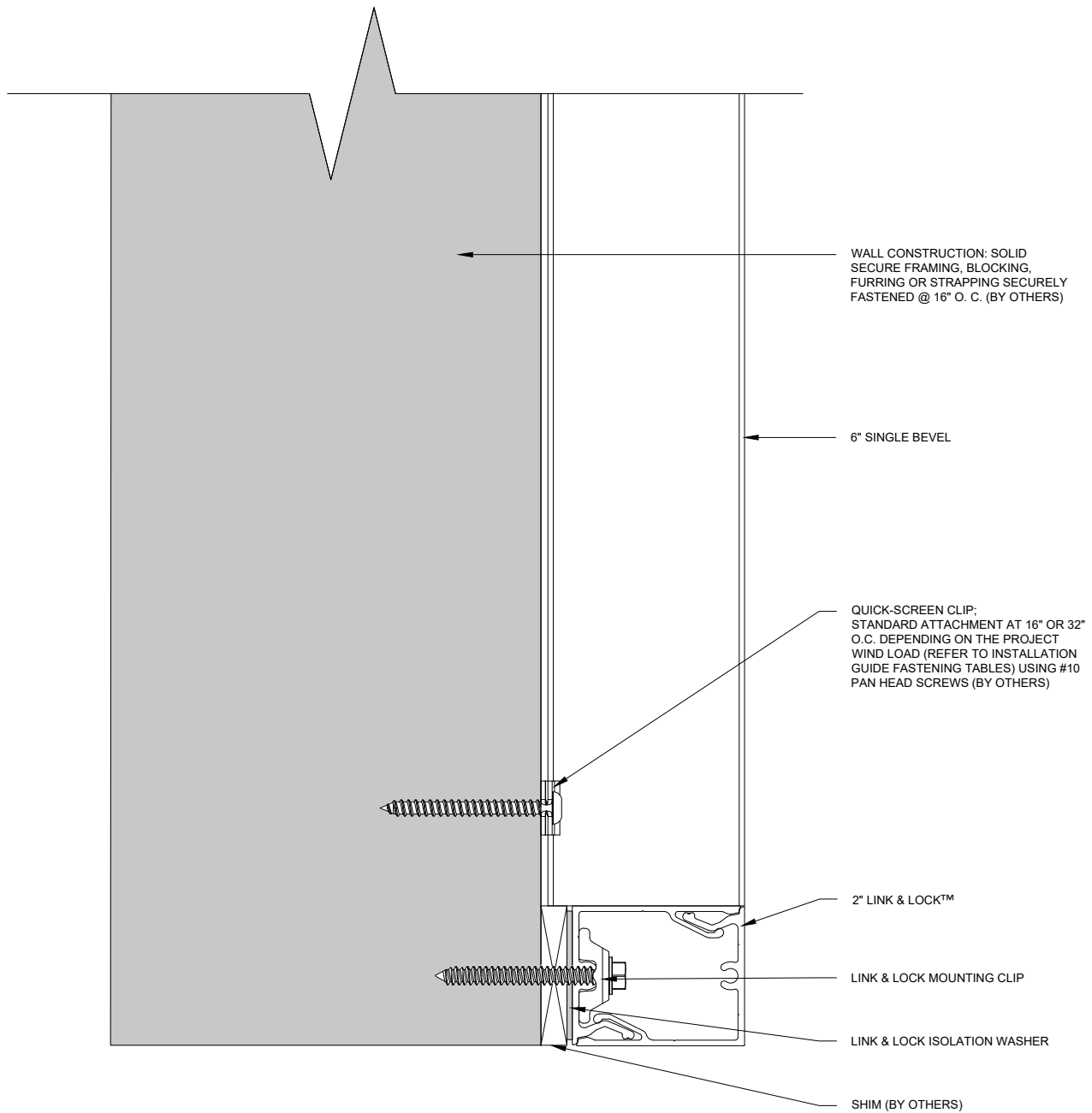
Longboard Architectural Products accepts no liability in respect to the use of these drawings.

For complete installation instructions refer to the appropriate documentation here [www.longboardproducts.com/resources/technical-documentation/installation-guides](http://www.longboardproducts.com/resources/technical-documentation/installation-guides)

## PARAPET DETAIL 6" SINGLE BEVEL

SCALE 1:4





SECTION VIEW

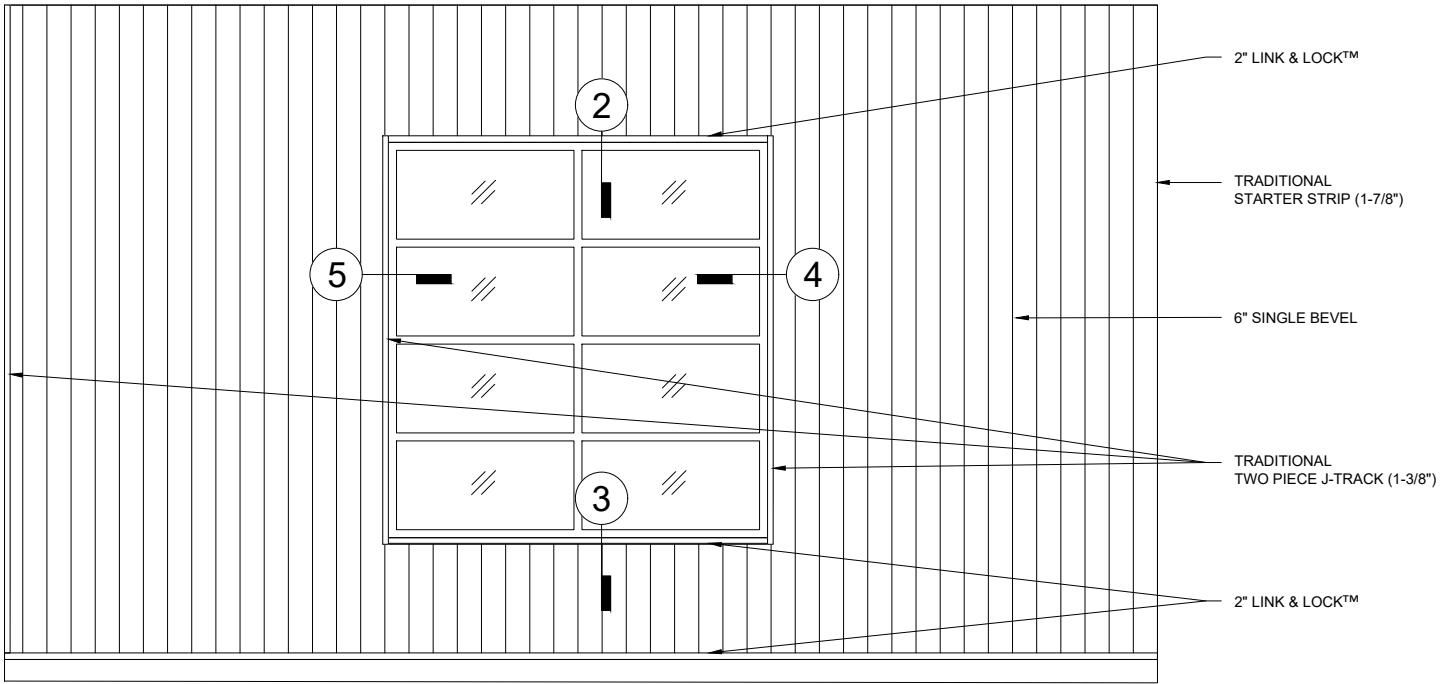
BOTTOM OF THE WALL  
6" SINGLE BEVEL WITH LINK & LOCK™

SCALE: 1:2

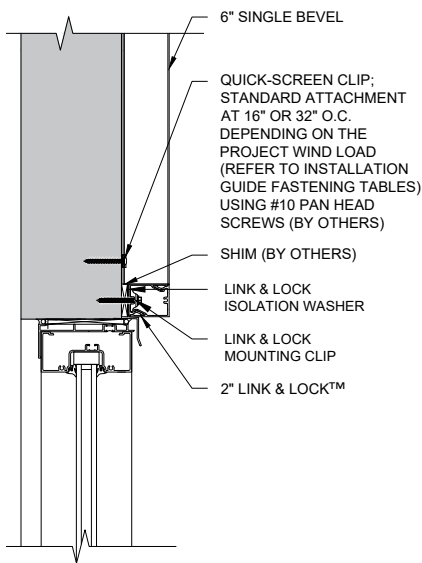


These drawings are published as an information guide only. These CAD drawings are intended as templates to assist the designer, they do not contain the full detail required for construction and must be read in conjunction with the installation instructions on [www.longboardproducts.com](http://www.longboardproducts.com). You should obtain architectural, engineering or other technical advice to assess the suitability of these drawings to the requirements of your particular project.

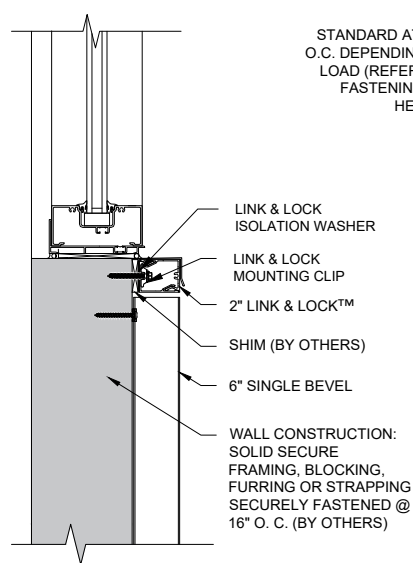
Longboard Architectural Products accepts no liability in respect to the use of these drawings.  
For complete installation instructions refer to the appropriate documentation here [www.longboardproducts.com/resources/technical-documentation/installation-guides](http://www.longboardproducts.com/resources/technical-documentation/installation-guides)



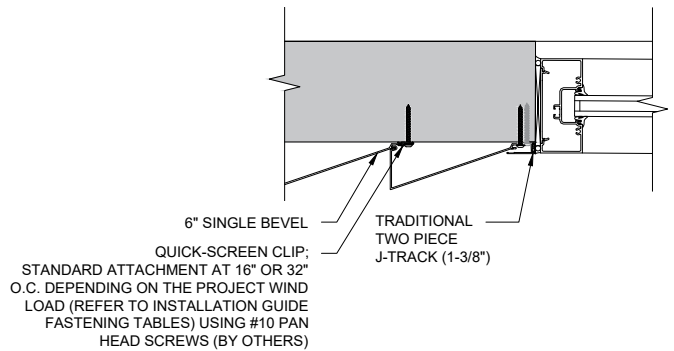
**1 WALL ELEVATION**  
SCALE: 1:50



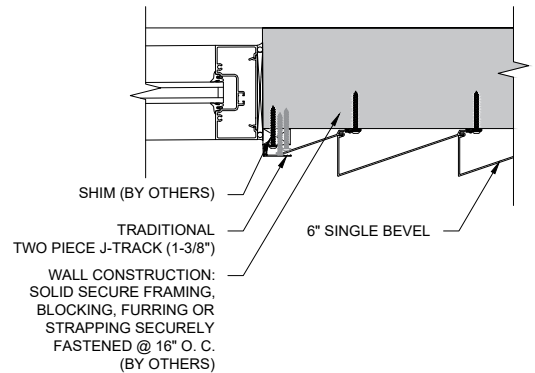
**2 WINDOW HEAD DETAIL**  
SCALE: 1:10



**3 WINDOW SILL DETAIL**  
SCALE: 1:10



**5 WINDOW JAMB DETAIL**  
SCALE: 1:10



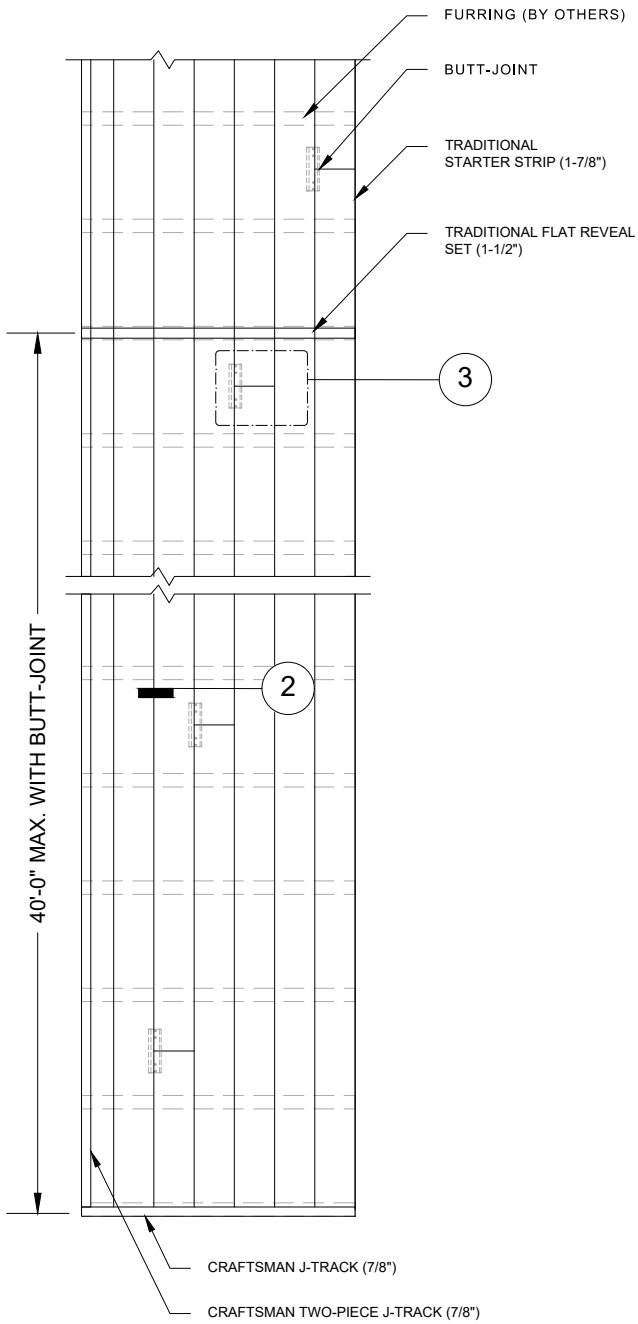
**4 WINDOW JAMB DETAIL**  
SCALE: 1:10

These drawings are published as an information guide only. These CAD drawings are intended as templates to assist the designer, they do not contain the full detail required for construction and must be read in conjunction with the installation instructions on [www.longboardproducts.com](http://www.longboardproducts.com). You should obtain architectural, engineering or other technical advice to assess the suitability of these drawings to the requirements of your particular project. Longboard Architectural Products accepts no liability in respect to the use of these drawings. For complete installation instructions refer to the appropriate documentation here [www.longboardproducts.com/resources/technical-documentation/installation-guides](http://www.longboardproducts.com/resources/technical-documentation/installation-guides)

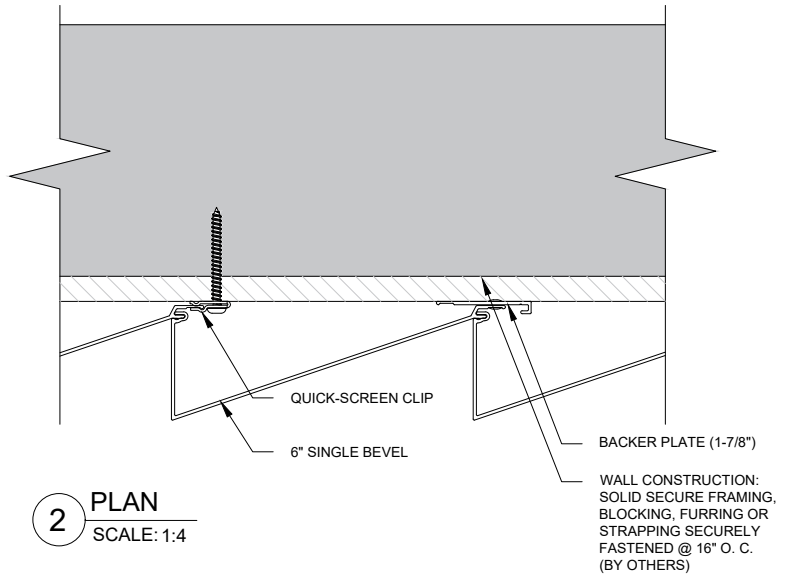
**TRIMS @ WINDOW DETAIL**  
**6\"/>**

SCALE: AS INDICATED

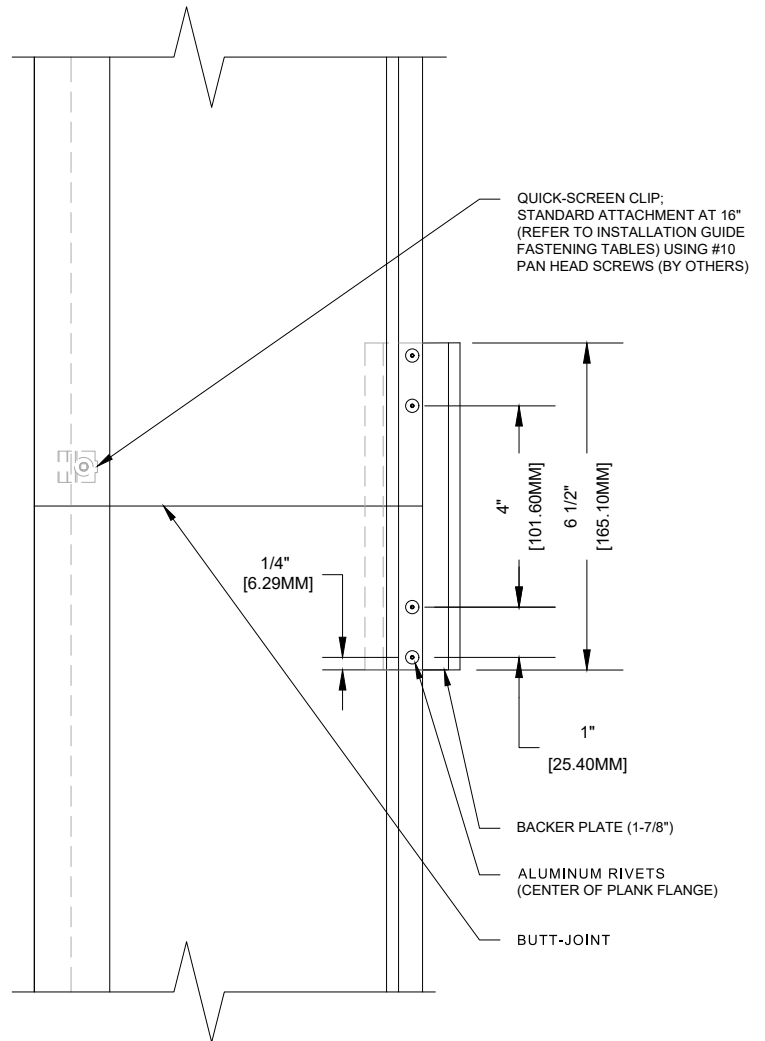




**1** ELEVATION  
SCALE: 1:30



**2** PLAN  
SCALE: 1:4



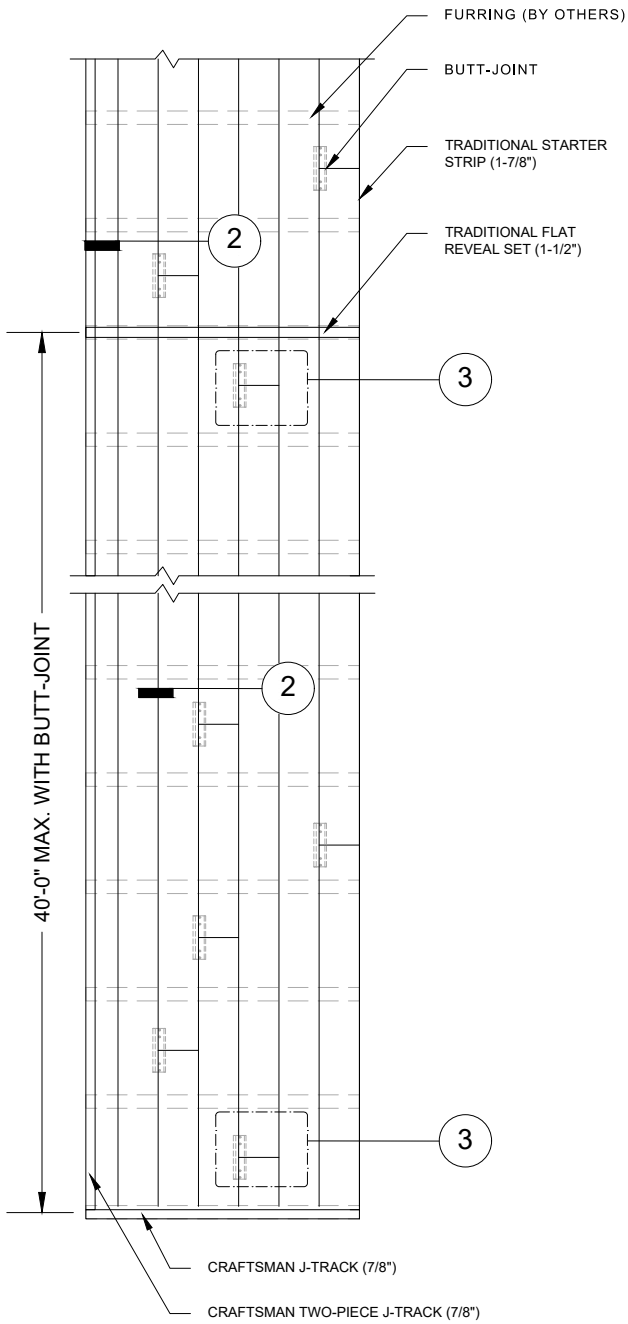
**3** ENLARGED ELEVATION @ BUTT JOINT  
SCALE: 1:4

These drawings are published as an information guide only. These CAD drawings are intended as templates to assist the designer, they do not contain the full detail required for construction and must be read in conjunction with the installation instructions on [www.longboardproducts.com](http://www.longboardproducts.com). You should obtain architectural, engineering or other technical advice to assess the suitability of these drawings to the requirements of your particular project. Longboard Architectural Products accepts no liability in respect to the use of these drawings. For complete installation instructions refer to the appropriate documentation here [www.longboardproducts.com/resources/technical-documentation/installation-guides](http://www.longboardproducts.com/resources/technical-documentation/installation-guides)

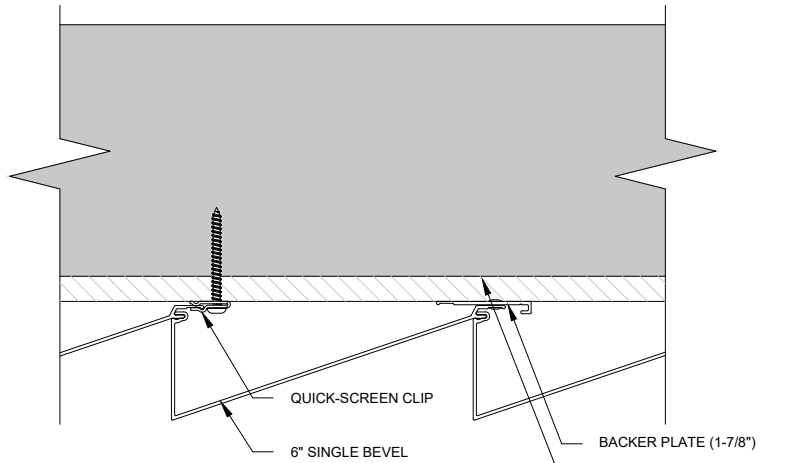
## SINGLE BUTT-JOINT DETAIL 6" SINGLE BEVEL

SCALE: AS INDICATED

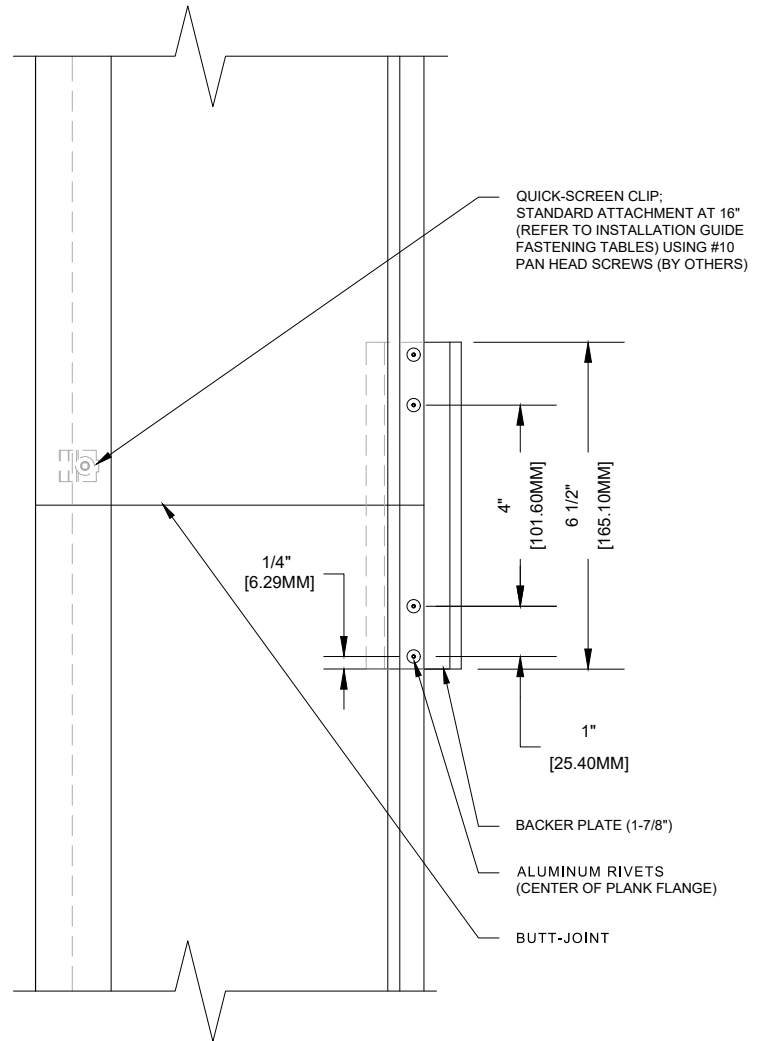




**1 ELEVATION**  
SCALE: 1:30



**2 PLAN**  
SCALE: 1:4



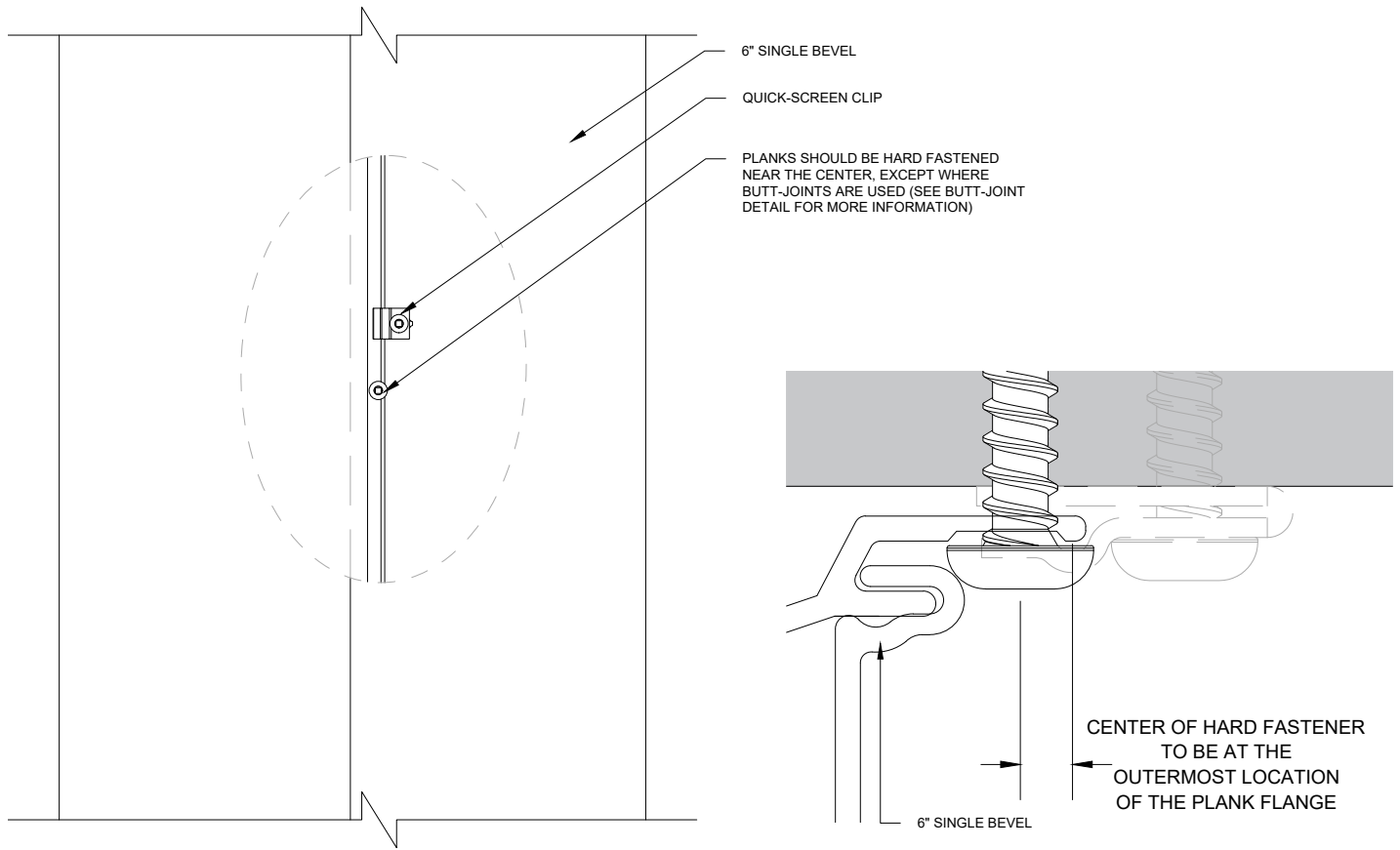
**3 ENLARGED ELEVATION @ BUTT JOINT**  
SCALE: 1:4

These drawings are published as an information guide only. These CAD drawings are intended as templates to assist the designer, they do not contain the full detail required for construction and must be read in conjunction with the installation instructions on [www.longboardproducts.com](http://www.longboardproducts.com). You should obtain architectural, engineering or other technical advice to assess the suitability of these drawings to the requirements of your particular project. Longboard Architectural Products accepts no liability in respect to the use of these drawings. For complete installation instructions refer to the appropriate documentation here [www.longboardproducts.com/resources/technical-documentation/installation-guides](http://www.longboardproducts.com/resources/technical-documentation/installation-guides)

## MULTIPLE FLOATING BUTT-JOINT DETAIL 6" SINGLE BEVEL

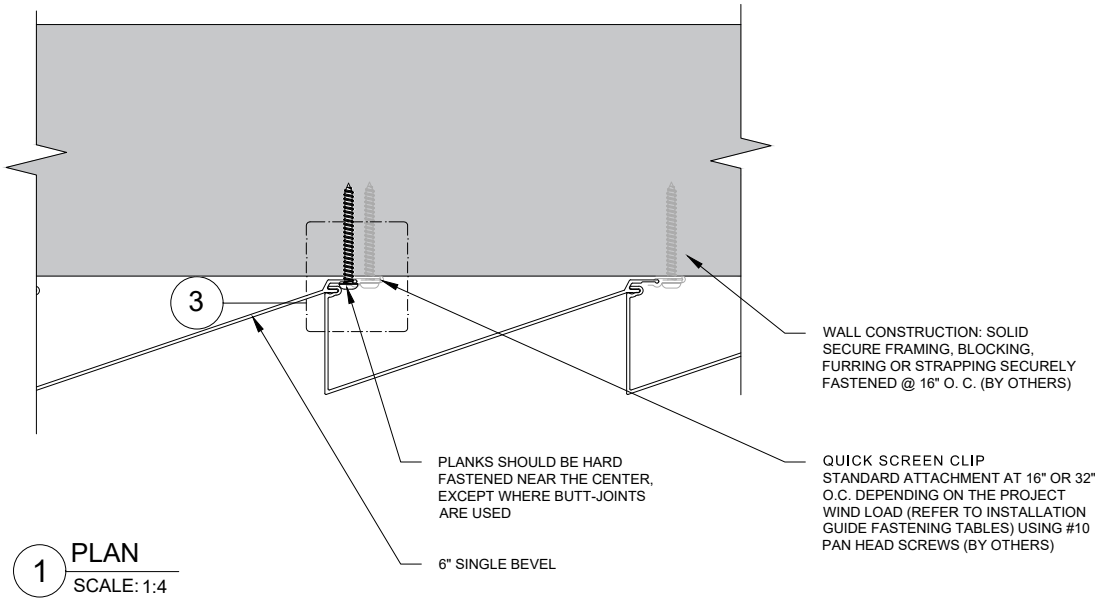
SCALE: AS INDICATED





**2** ELEVATION  
SCALE: 1:4

**3** ENLARGED DETAIL  
SCALE: 2:1

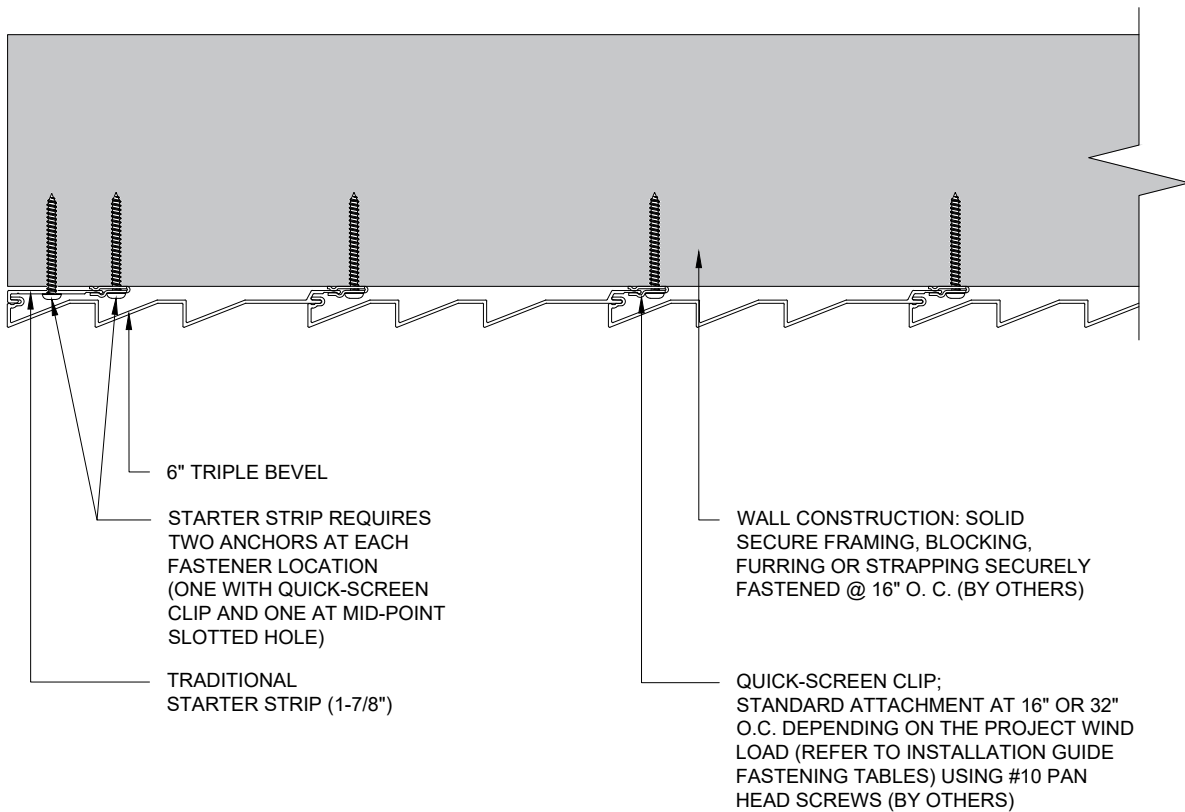


**1** PLAN  
SCALE: 1:4

These drawings are published as an information guide only. These CAD drawings are intended as templates to assist the designer, they do not contain the full detail required for construction and must be read in conjunction with the installation instructions on [www.longboardproducts.com](http://www.longboardproducts.com). You should obtain architectural, engineering or other technical advice to assess the suitability of these drawings to the requirements of your particular project. Longboard Architectural Products accepts no liability in respect to the use of these drawings. For complete installation instructions refer to the appropriate documentation here [www.longboardproducts.com/resources/technical-documentation/installation-guides](http://www.longboardproducts.com/resources/technical-documentation/installation-guides)

**HARD FASTENING DETAIL**  
**6" SINGLE BEVEL**  
SCALE: AS INDICATED





## START OF THE WALL DETAIL 6" TRIPLE BEVEL

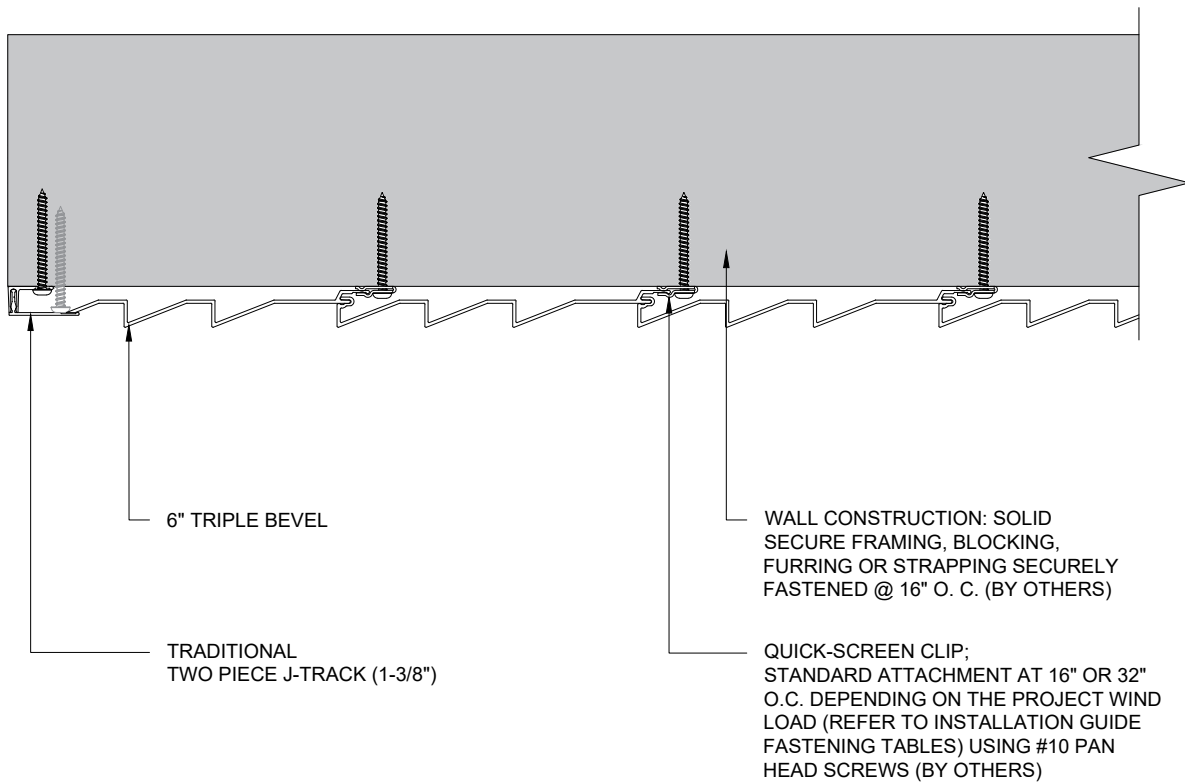
SCALE 1:4



These drawings are published as an information guide only. These CAD drawings are intended as templates to assist the designer, they do not contain the full detail required for construction and must be read in conjunction with the installation instructions on [www.longboardproducts.com](http://www.longboardproducts.com). You should obtain architectural, engineering or other technical advice to assess the suitability of these drawings to the requirements of your particular project.

Longboard Architectural Products accepts no liability in respect to the use of these drawings.

For complete installation instructions refer to the appropriate documentation here [www.longboardproducts.com/resources/technical-documentation/installation-guides](http://www.longboardproducts.com/resources/technical-documentation/installation-guides)

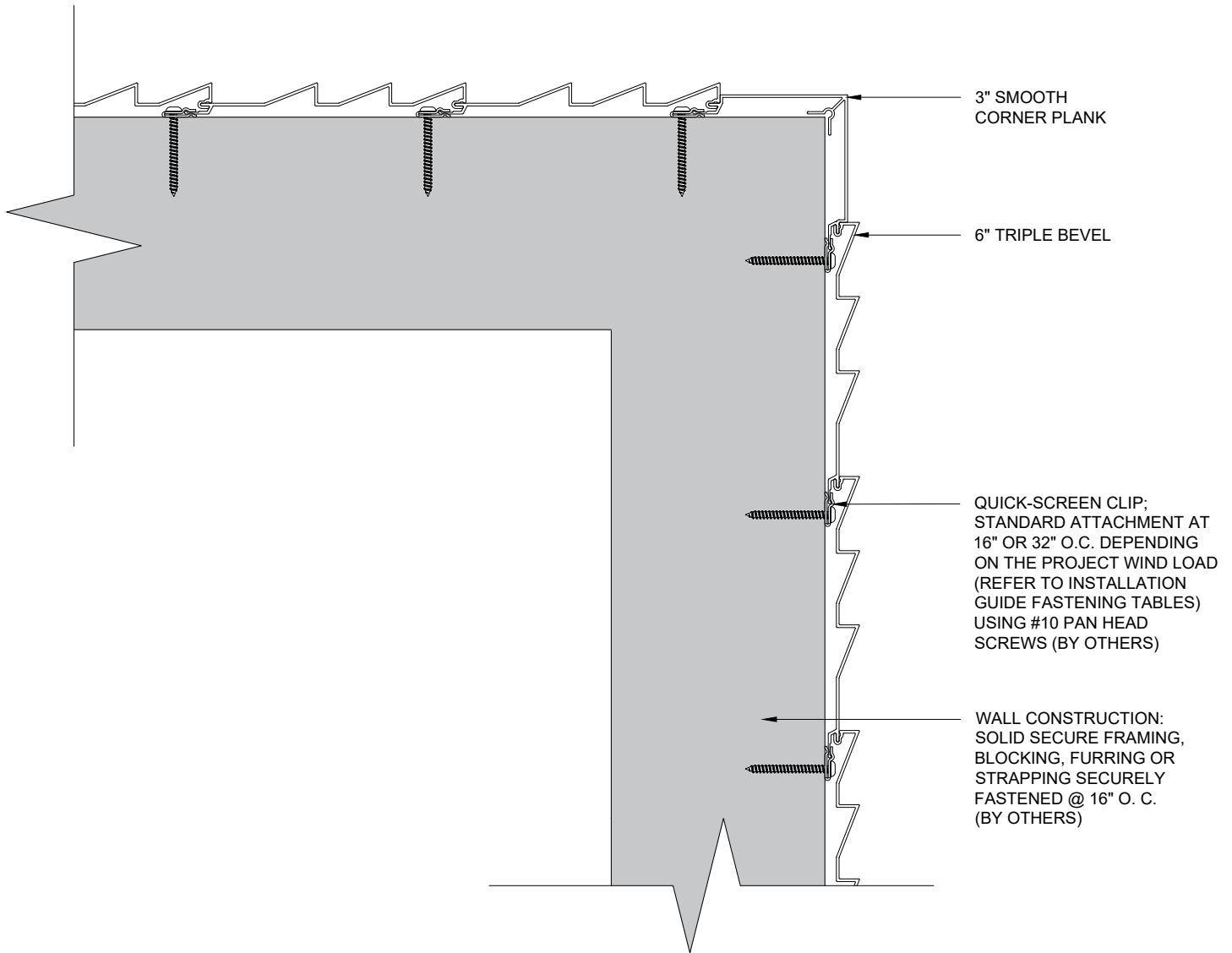


These drawings are published as an information guide only. These CAD drawings are intended as templates to assist the designer, they do not contain the full detail required for construction and must be read in conjunction with the installation instructions on [www.longboardproducts.com](http://www.longboardproducts.com). You should obtain architectural, engineering or other technical advice to assess the suitability of these drawings to the requirements of your particular project. Longboard Architectural Products accepts no liability in respect to the use of these drawings. For complete installation instructions refer to the appropriate documentation here [www.longboardproducts.com/resources/technical-documentation/installation-guides](http://www.longboardproducts.com/resources/technical-documentation/installation-guides)

## END OF THE WALL DETAIL 6" TRIPLE BEVEL

SCALE 1:4





These drawings are published as an information guide only. These CAD drawings are intended as templates to assist the designer, they do not contain the full detail required for construction and must be read in conjunction with the installation instructions on [www.longboardproducts.com](http://www.longboardproducts.com). You should obtain architectural, engineering or other technical advice to assess the suitability of these drawings to the requirements of your particular project.

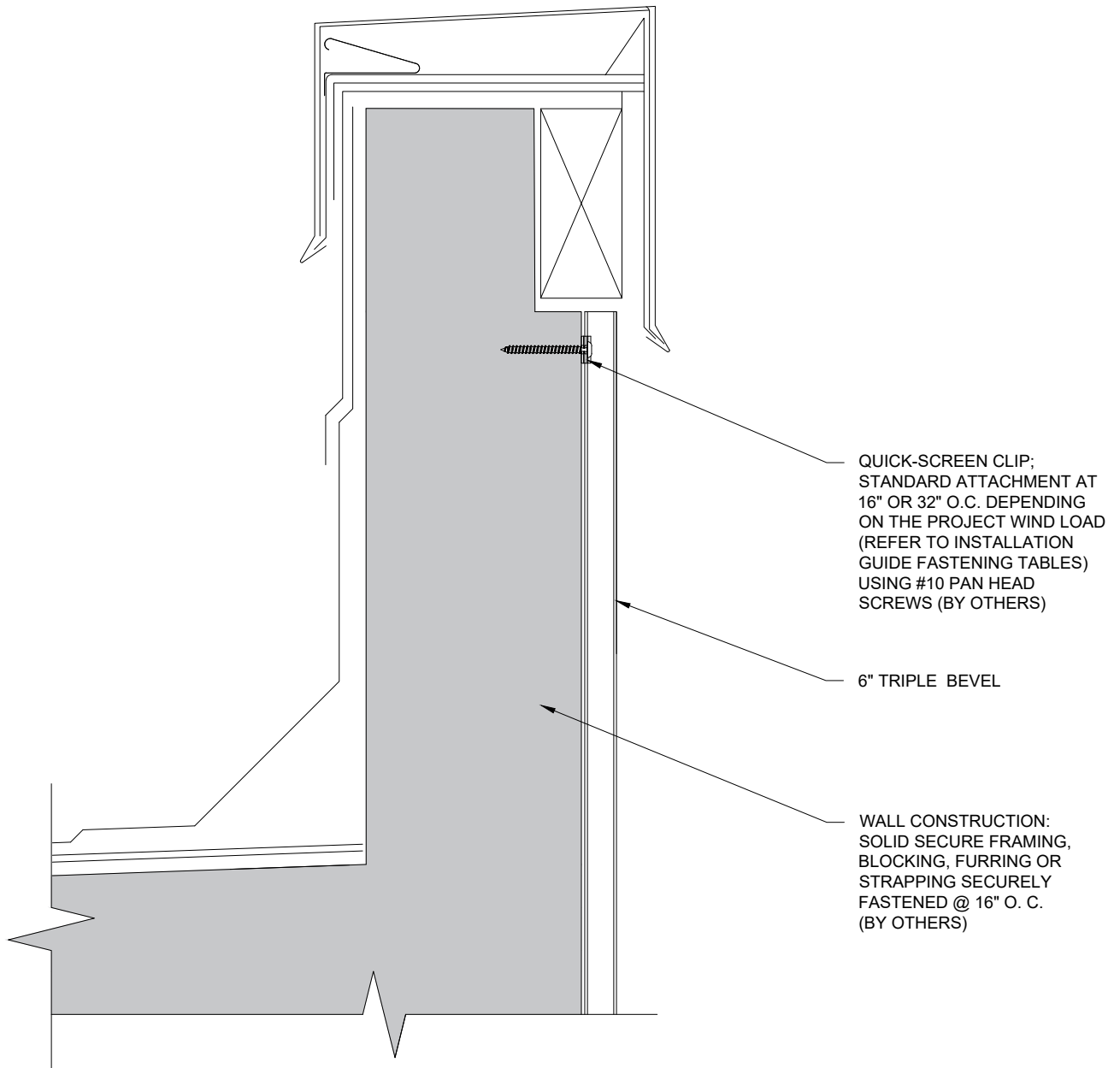
Longboard Architectural Products accepts no liability in respect to the use of these drawings.

For complete installation instructions refer to the appropriate documentation here [www.longboardproducts.com/resources/technical-documentation/installation-guides](http://www.longboardproducts.com/resources/technical-documentation/installation-guides)

## OUTSIDE CORNER DETAIL 6" TRIPLE BEVEL

SCALE 1:4





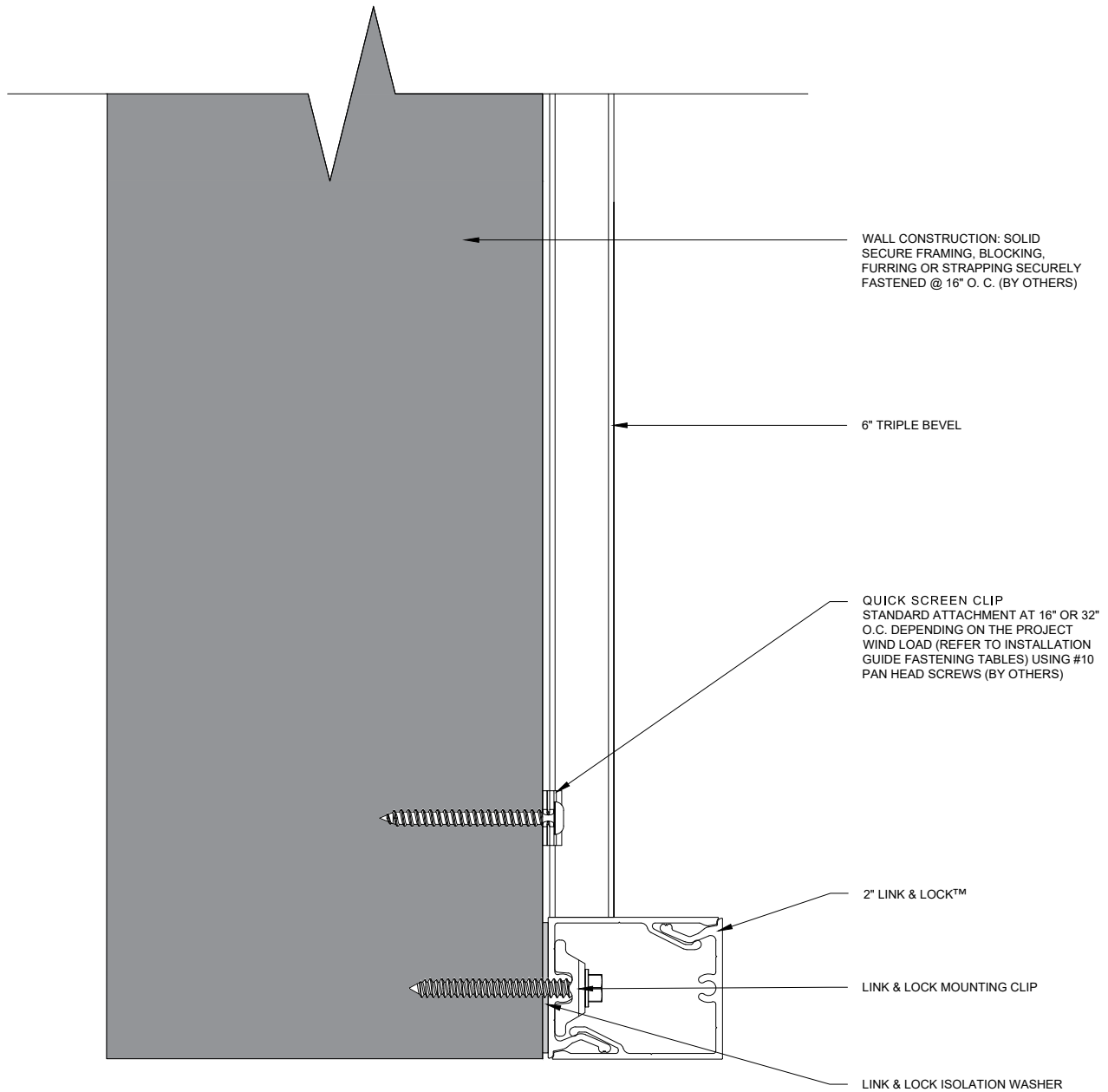
These drawings are published as an information guide only. These CAD drawings are intended as templates to assist the designer, they do not contain the full detail required for construction and must be read in conjunction with the installation instructions on [www.longboardproducts.com](http://www.longboardproducts.com). You should obtain architectural, engineering or other technical advice to assess the suitability of these drawings to the requirements of your particular project.

Longboard Architectural Products accepts no liability in respect to the use of these drawings.  
For complete installation instructions refer to the appropriate documentation here [www.longboardproducts.com/resources/technical-documentation/installation-guides](http://www.longboardproducts.com/resources/technical-documentation/installation-guides)

## PARAPET DETAIL 6" TRIPLE BEVEL

SCALE 1:4





SECTION VIEW

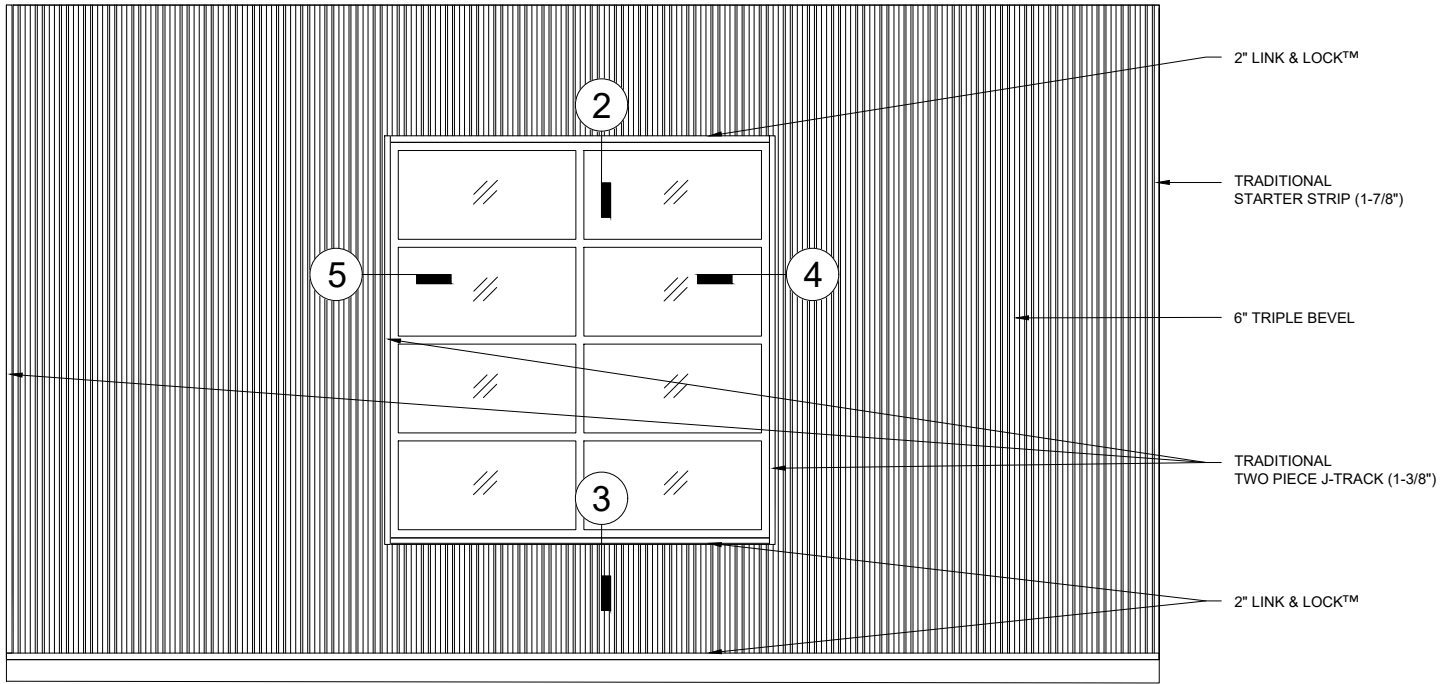
These drawings are published as an information guide only. These CAD drawings are intended as templates to assist the designer, they do not contain the full detail required for construction and must be read in conjunction with the installation instructions on [www.longboardproducts.com](http://www.longboardproducts.com). You should obtain architectural, engineering or other technical advice to assess the suitability of these drawings to the requirements of your particular project.

Longboard Architectural Products accepts no liability in respect to the use of these drawings.  
For complete installation instructions refer to the appropriate documentation here [www.longboardproducts.com/resources/technical-documentation/installation-guides](http://www.longboardproducts.com/resources/technical-documentation/installation-guides)

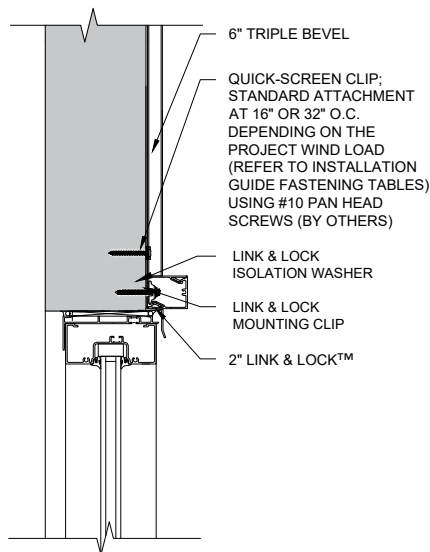
## BOTTOM OF THE WALL 6" TRIPLE BEVEL WITH LINK & LOCK™

SCALE: 1:2

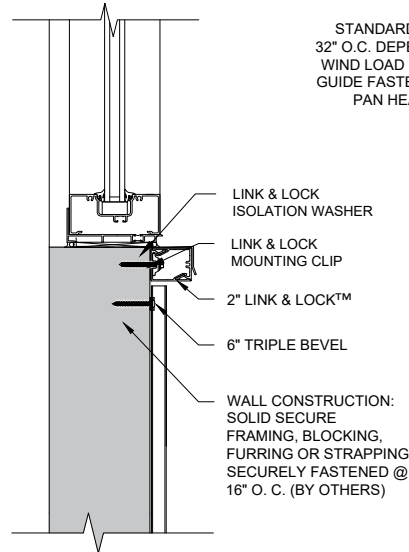




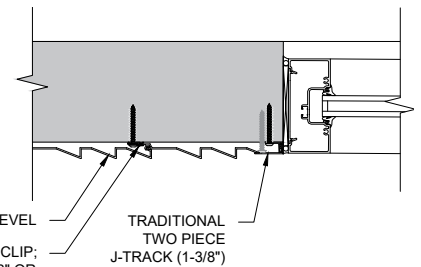
**1 WALL ELEVATION**  
SCALE: 1:50



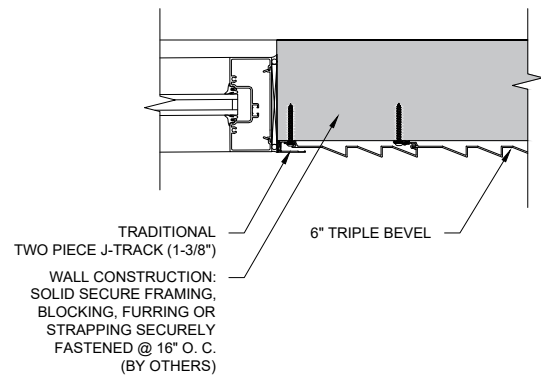
**2 WINDOW HEAD DETAIL**  
SCALE: 1:10



**3 WINDOW SILL DETAIL**  
SCALE: 1:10



**5 WINDOW JAMB DETAIL**  
SCALE: 1:10



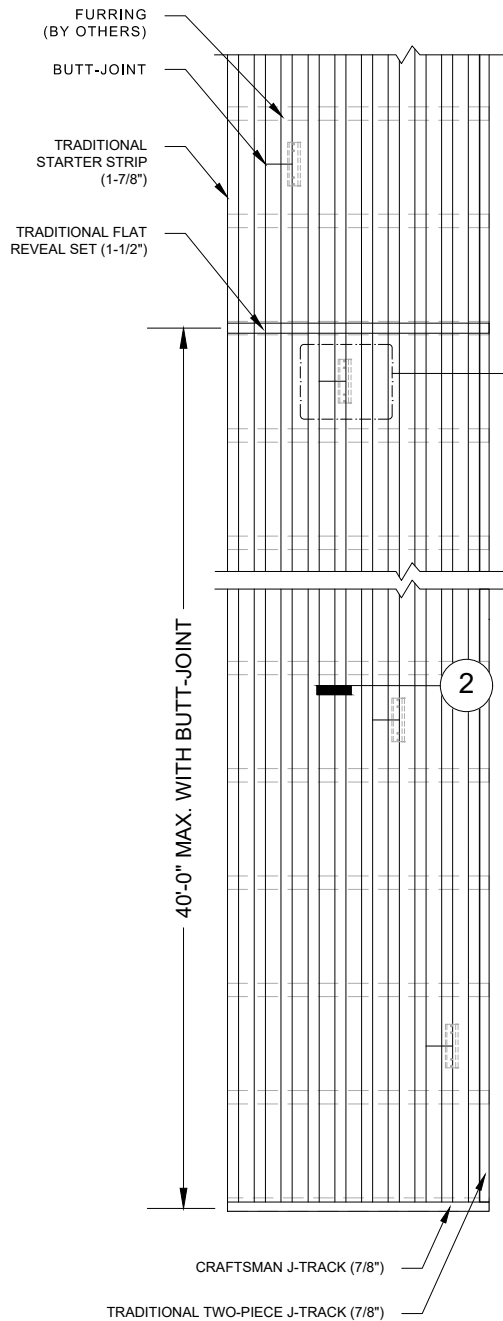
**4 WINDOW JAMB DETAIL**  
SCALE: 1:10

These drawings are published as an information guide only. These CAD drawings are intended as templates to assist the designer, they do not contain the full detail required for construction and must be read in conjunction with the installation instructions on [www.longboardproducts.com](http://www.longboardproducts.com). You should obtain architectural, engineering or other technical advice to assess the suitability of these drawings to the requirements of your particular project. Longboard Architectural Products accepts no liability in respect to the use of these drawings. For complete installation instructions refer to the appropriate documentation here [www.longboardproducts.com/resources/technical-documentation/installation-guides](http://www.longboardproducts.com/resources/technical-documentation/installation-guides)

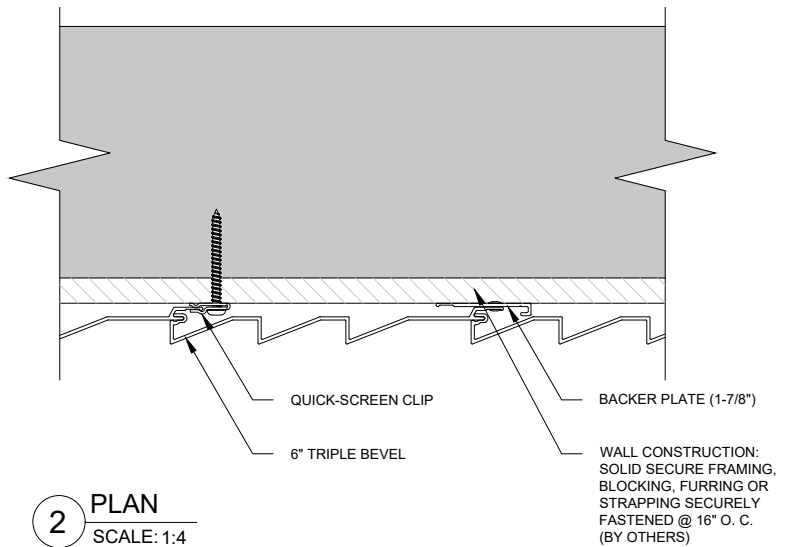
**TRIMS @ WINDOW DETAIL**  
**6\"/>**

SCALE: AS INDICATED

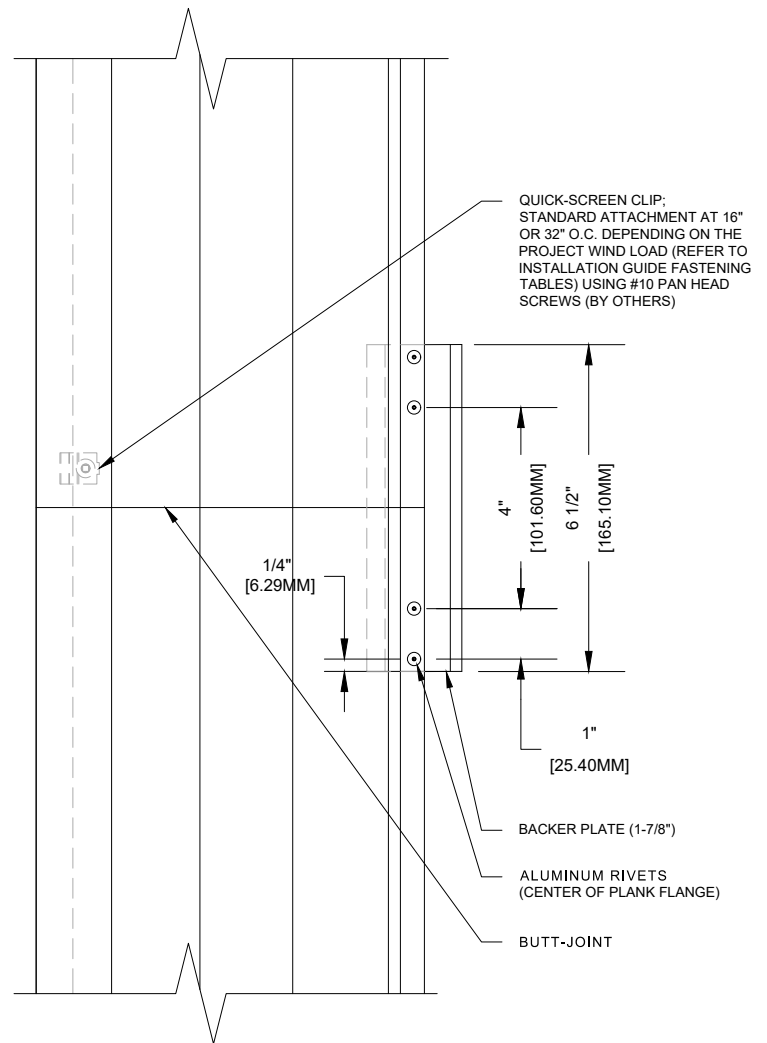




**1 ELEVATION**  
SCALE: 1:30



**2 PLAN**  
SCALE: 1:4



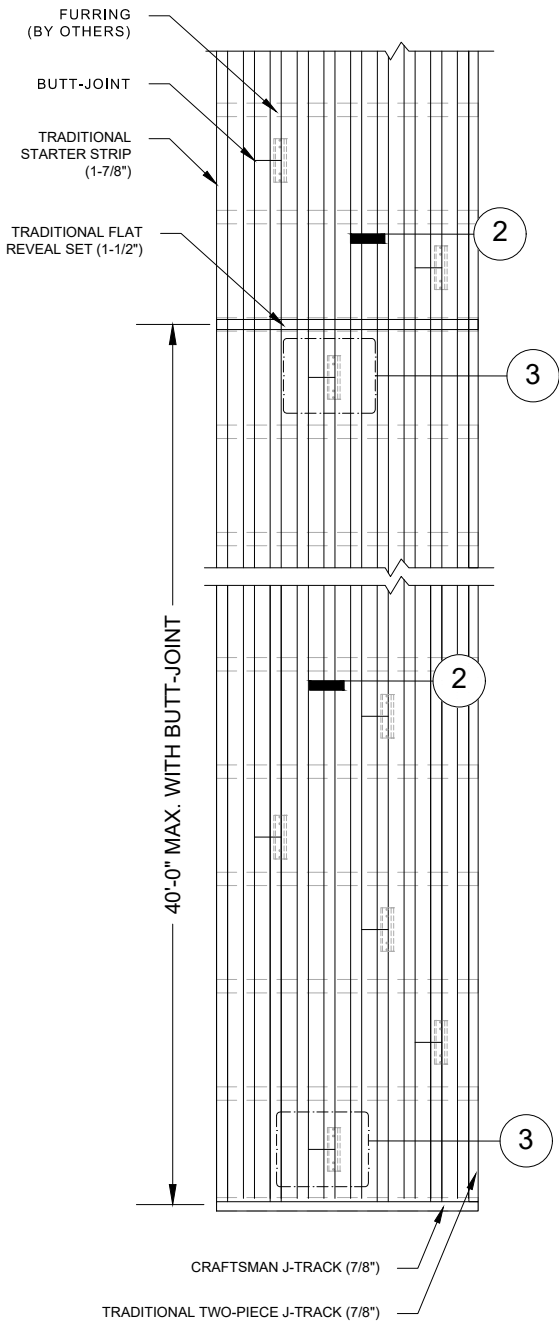
**3 ENLARGED ELEVATION @ BUTT JOINT**  
SCALE: 1:4

These drawings are published as an information guide only. These CAD drawings are intended as templates to assist the designer, they do not contain the full detail required for construction and must be read in conjunction with the installation instructions on [www.longboardproducts.com](http://www.longboardproducts.com). You should obtain architectural, engineering or other technical advice to assess the suitability of these drawings to the requirements of your particular project. Longboard Architectural Products accepts no liability in respect to the use of these drawings. For complete installation instructions refer to the appropriate documentation here [www.longboardproducts.com/resources/technical-documentation/installation-guides](http://www.longboardproducts.com/resources/technical-documentation/installation-guides)

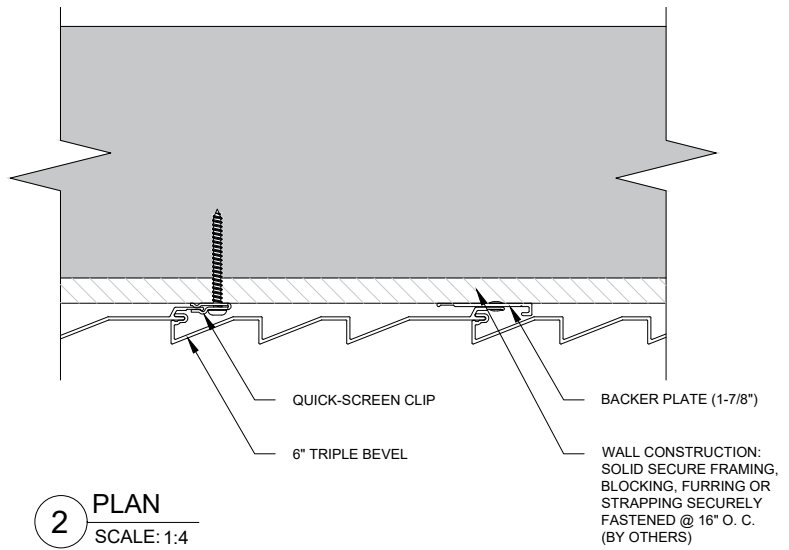
## SINGLE BUTT-JOINT DETAIL 6" TRIPLE BEVEL

SCALE: AS INDICATED

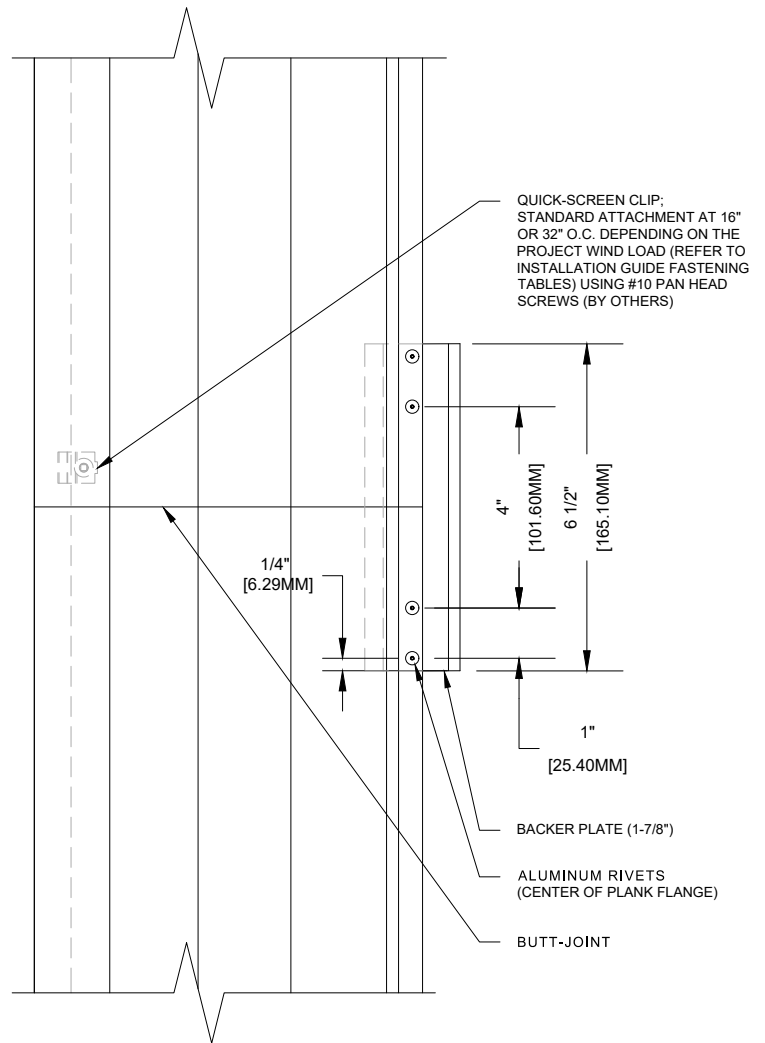




**1** ELEVATION  
SCALE: 1:30



**2** PLAN  
SCALE: 1:4



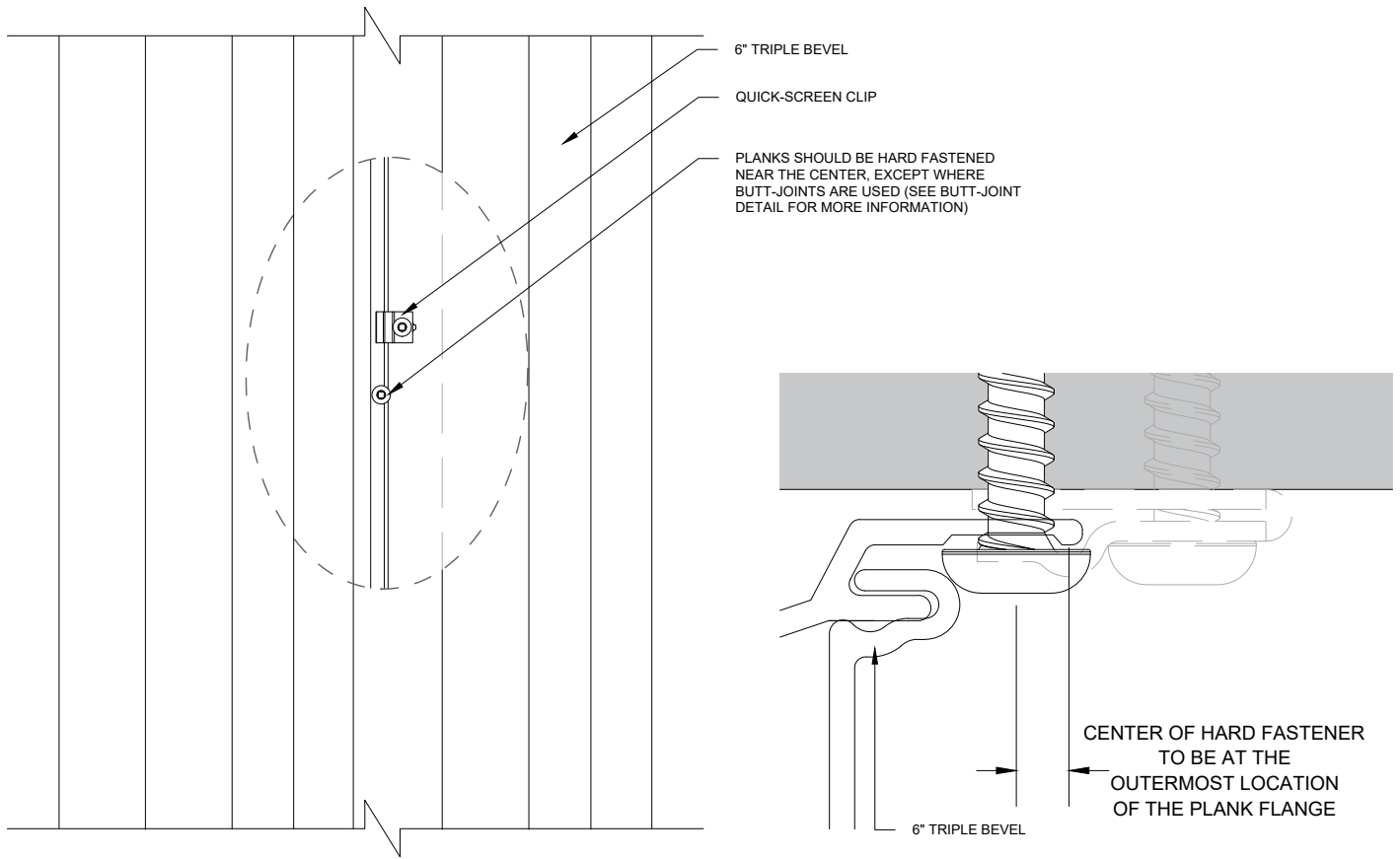
**3** ENLARGED ELEVATION @ BUTT JOINT  
SCALE: 1:4

These drawings are published as an information guide only. These CAD drawings are intended as templates to assist the designer, they do not contain the full detail required for construction and must be read in conjunction with the installation instructions on [www.longboardproducts.com](http://www.longboardproducts.com). You should obtain architectural, engineering or other technical advice to assess the suitability of these drawings to the requirements of your particular project. Longboard Architectural Products accepts no liability in respect to the use of these drawings. For complete installation instructions refer to the appropriate documentation here [www.longboardproducts.com/resources/technical-documentation/installation-guides](http://www.longboardproducts.com/resources/technical-documentation/installation-guides)

## MULTIPLE FLOATING BUTT-JOINT DETAIL 6" TRIPLE BEVEL

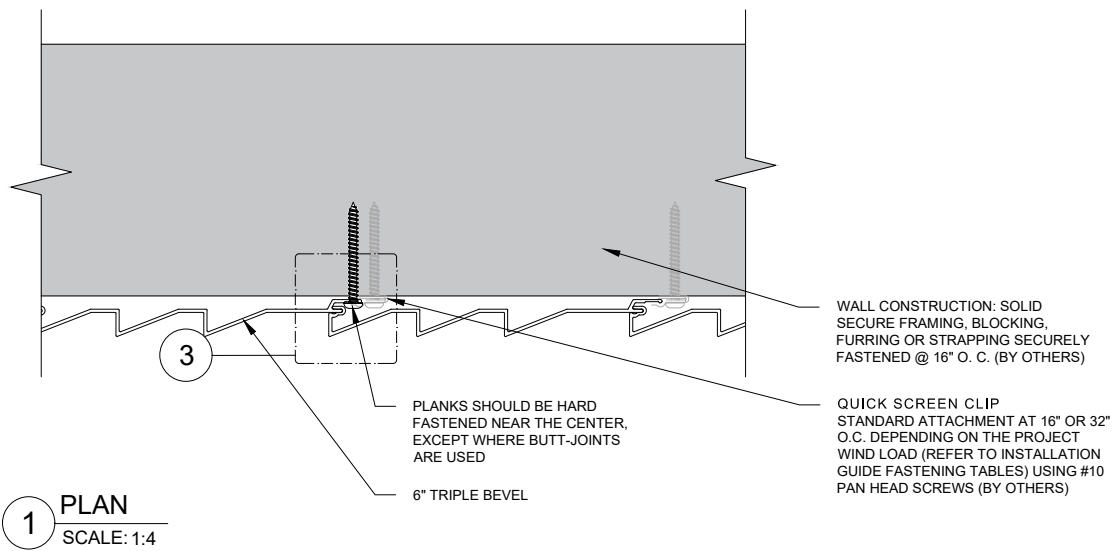
SCALE: AS INDICATED





**2** ELEVATION  
SCALE: 1:4

**3** ENLARGED DETAIL  
SCALE: 2:1



These drawings are published as an information guide only. These CAD drawings are intended as templates to assist the designer, they do not contain the full detail required for construction and must be read in conjunction with the installation instructions on [www.longboardproducts.com](http://www.longboardproducts.com). You should obtain architectural, engineering or other technical advice to assess the suitability of these drawings to the requirements of your particular project. Longboard Architectural Products accepts no liability in respect to the use of these drawings. For complete installation instructions refer to the appropriate documentation here [www.longboardproducts.com/resources/technical-documentation/installation-guides](http://www.longboardproducts.com/resources/technical-documentation/installation-guides)

## HARD FASTENING DETAIL 6" TRIPLE BEVEL

SCALE: AS INDICATED

