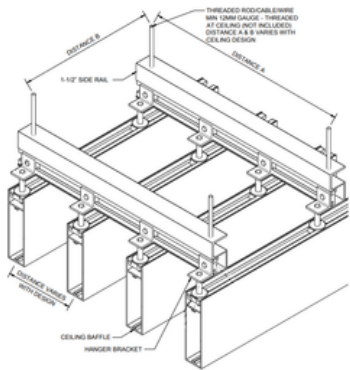


DAUNTLESS CURVE

CEILING SYSTEM

TYPICAL ISOMETRICS



PROFILES

1-5/8" X 4" & 6" - Standard Lengths: 24'

COMPONENTS

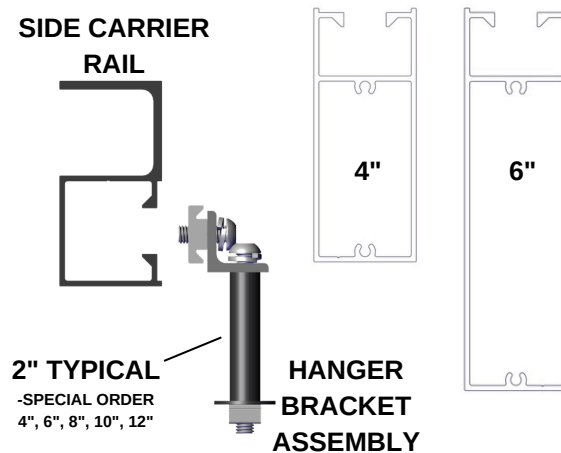
1-1/2" Rail - Standard Lengths: 24'
 Baffle Snap Cap - Standard Lengths: 12'
 Hanger Bracket, Baffle End Cap, Baffle Spline - Units (1pc)

FINISHES

Woodgrains, solid colors, naturally aged metals, special order. Custom solid color matching available (additional lead times apply).

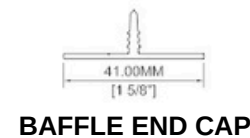
DCIC_IS_RC_V4

SIDE CARRIER RAIL



2" TYPICAL
 -SPECIAL ORDER
 4", 6", 8", 10", 12"

HANGER BRACKET ASSEMBLY



ATTACHMENT

Rail spacings to be calculated by design team to suit layout and project requirements, suspended from structure above (by others) *refer to submittal package for load calculation data
 1-1/2" Rail - Standard Lengths: 24'
 Hanger Bracket, Baffle End Cap, Baffle Spline - Units (1pc)

BIM & CAD

RVT & DWG files available, see website for details



info@longboardproducts.com
longboardproducts.com
 800 604 0343

TECHNICAL SPECIFICATIONS

PHYSICAL DATA

6063-T5 Extruded Aluminum
 100% Recyclable
 Warranty: Finish: 15 year (standard)/20 year* (ultra) (*10 week lead time);
 Aluminum: 50 year
 Baffle Weight (lbs/lf): 1.2 (4"); 1.6 (6")

TESTING

ICC-ESR 4184 Evaluation Report - Division: 05 00 00 - METALS
 • Section: 05 50 00 - Metal Fabrications
 CAN/ULC S102
 CAN/ULC S114

LARR - Los Angeles Department of Building Safety (LADBS) accepts ICC-ES reports as proof of compliance

Florida Product Code: FL20075



Fire Rating: Class A Non-Combustible by ASTM E136 & ASTM E84



Acoustical Rating with insulation: NRC up to 0.79



Light reflectance (LRV): Up to 73.2% (Ultra White)